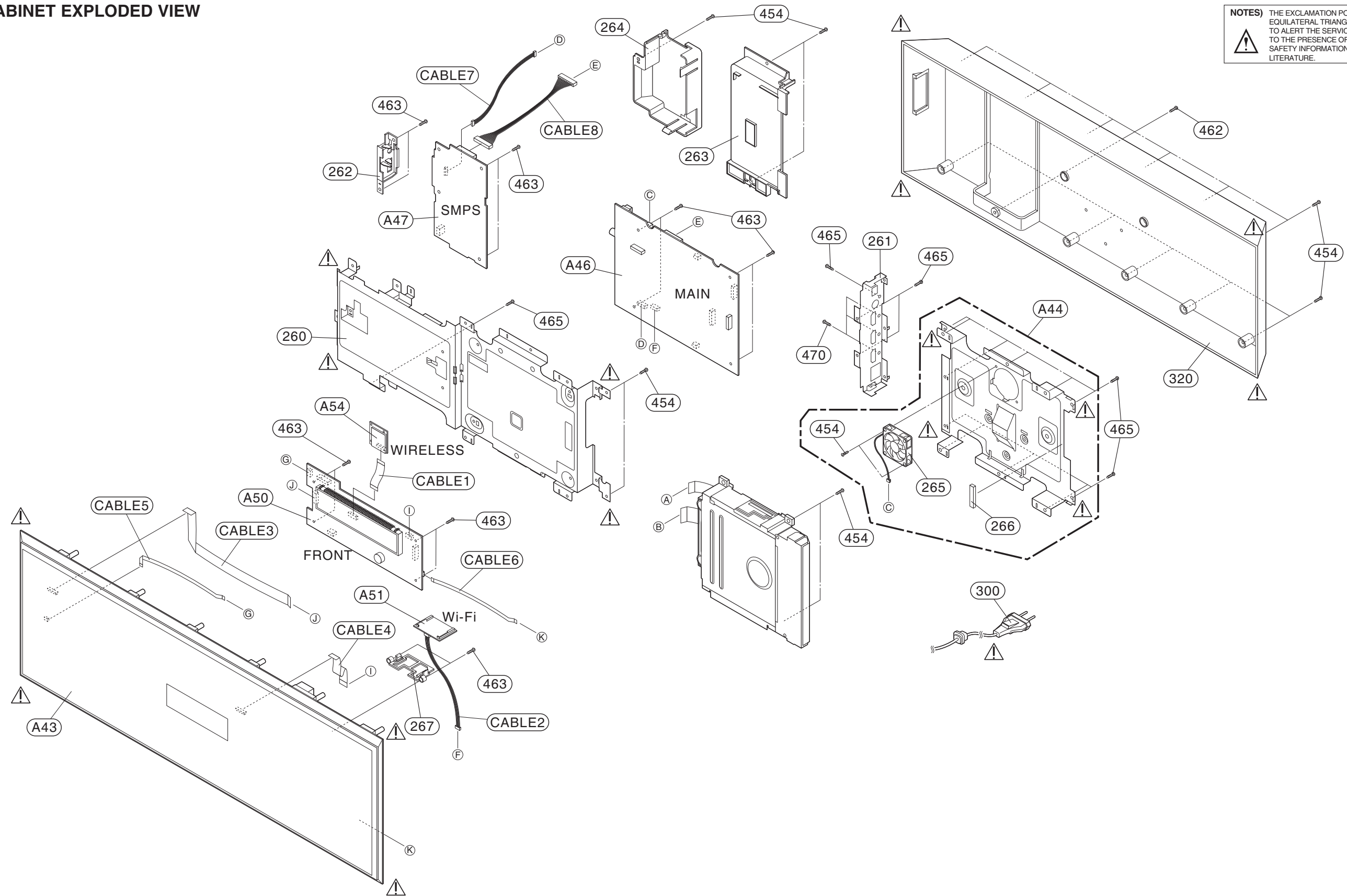


# EXPLODED VIEWS

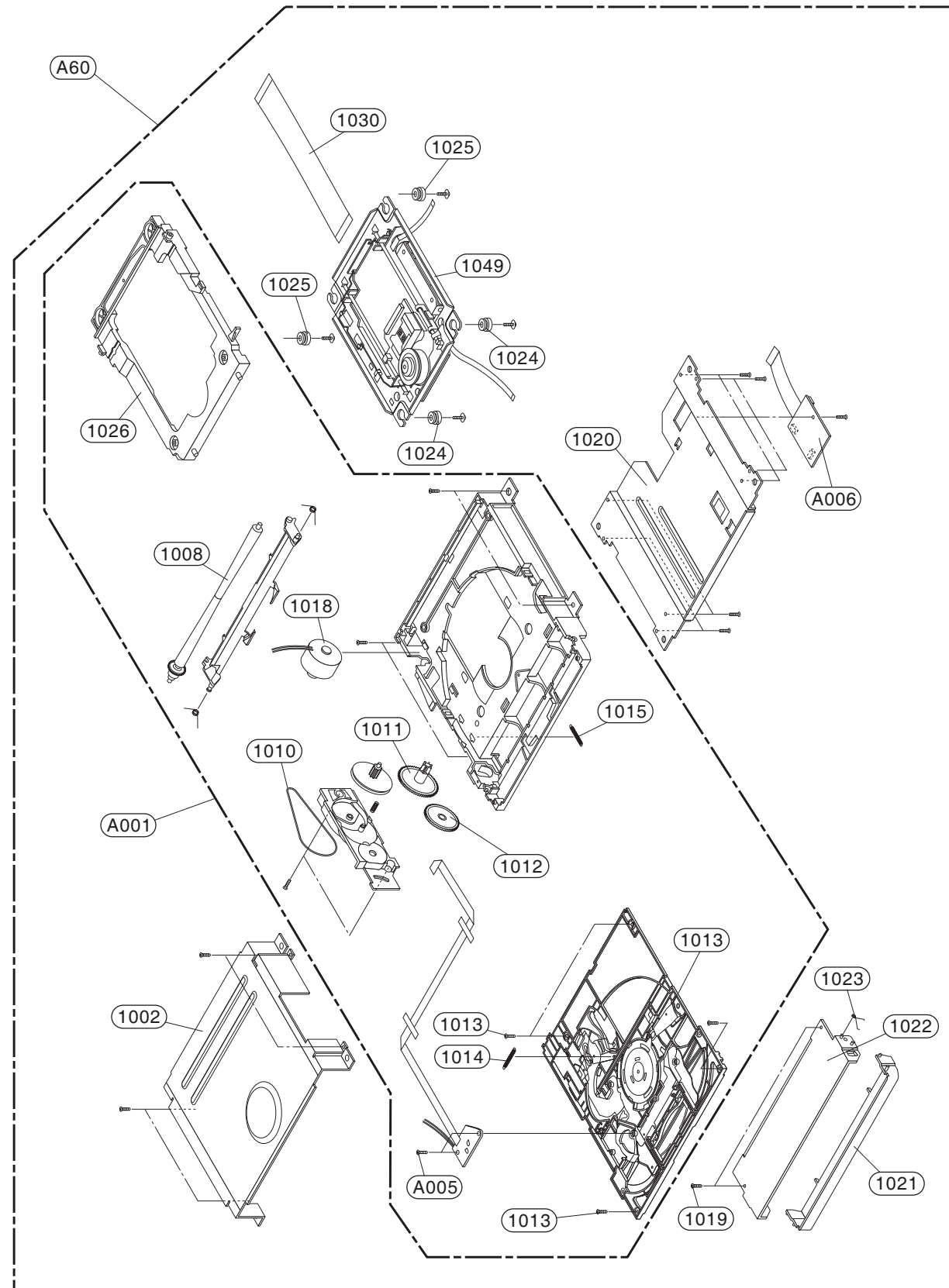
## 1. MAIN SET SECTION (HX995TZ)

### 1-1. CABINET EXPLODED VIEW



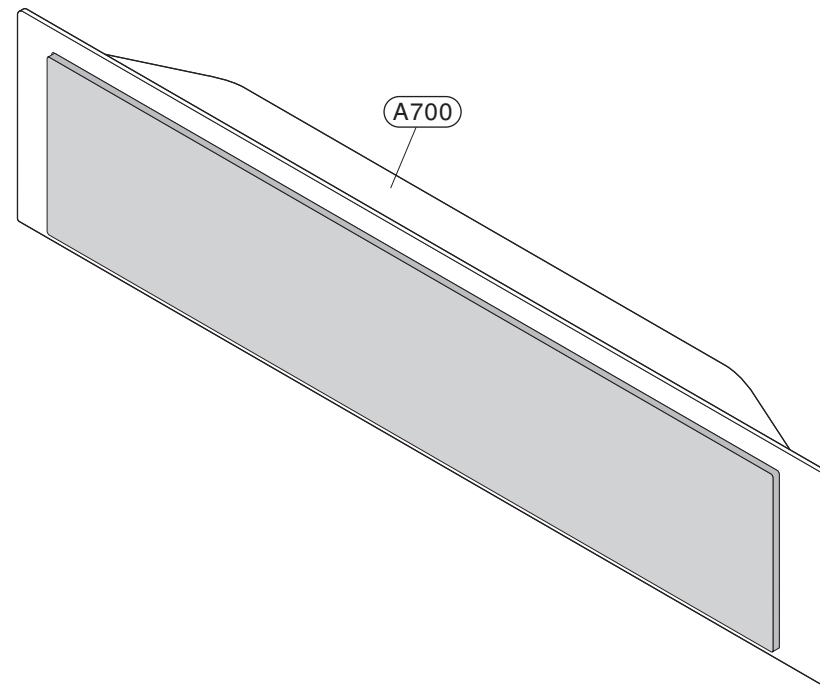
**NOTES)** THE EXCLAMATION POINT WITHIN AN EQUILATERAL TRIANGLE IS INTENDED TO ALERT THE SERVICE PERSONNEL TO THE PRESENCE OF IMPORTANT SAFETY INFORMATION IN SERVICE LITERATURE.

1-2. DECK MECHANISM EXPLODED VIEW (SBP-03)

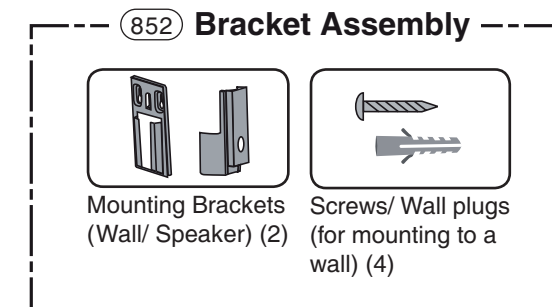
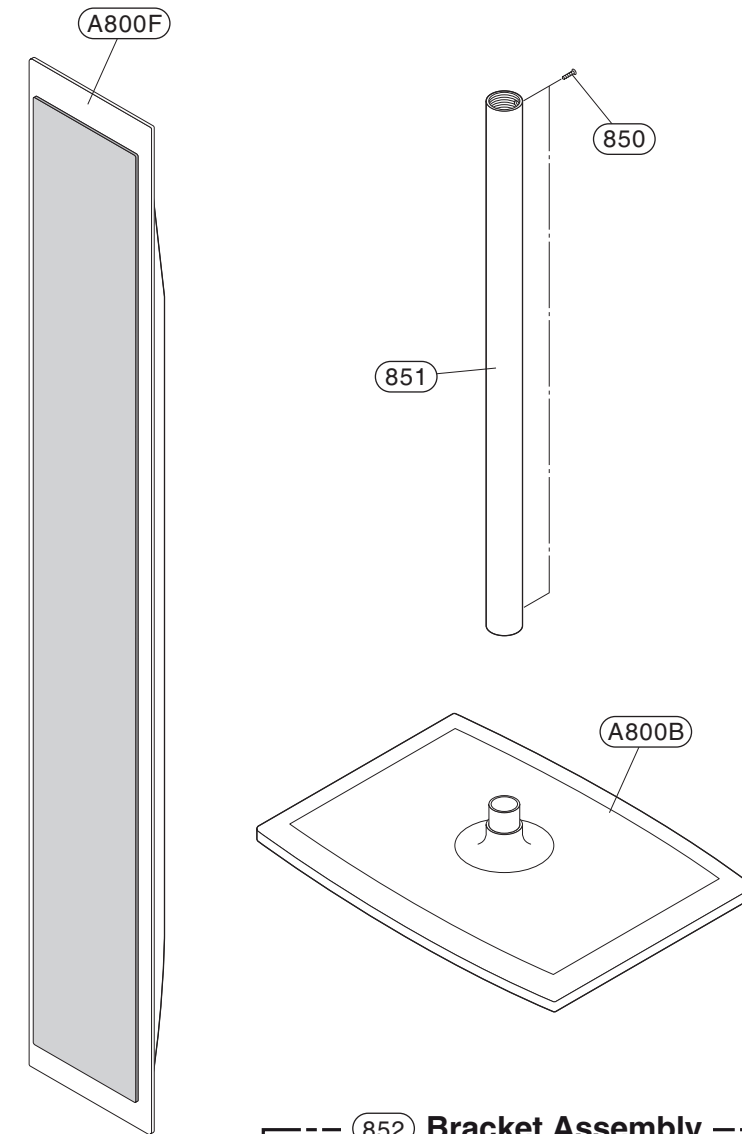


## 2. SPEAKER SECTION

### 2-1. CENTER SPEAKER EXPLODED VIEW (SX95TZ-C)

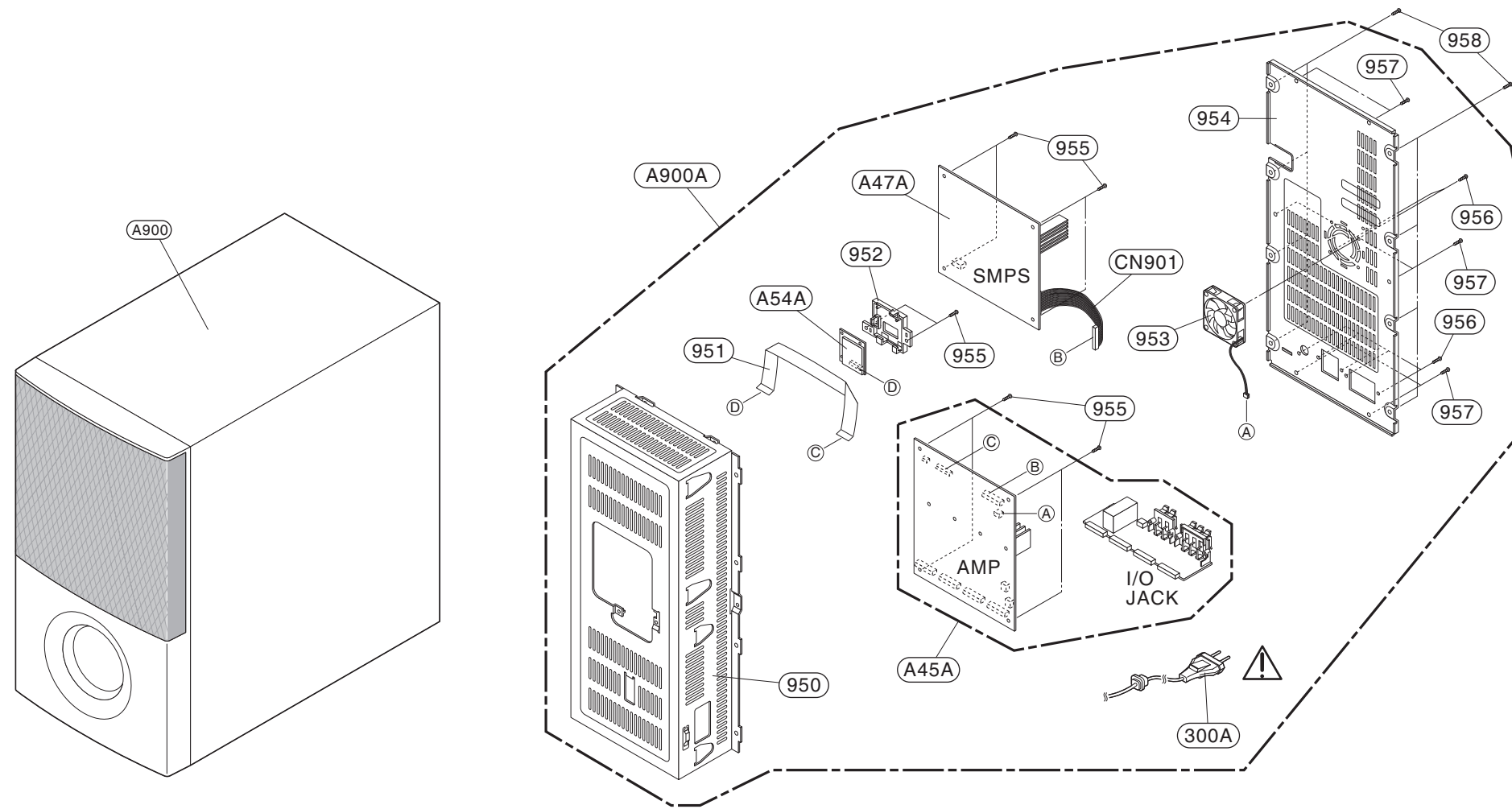


### 2-2. FRONT / REAR SPEAKER EXPLODED VIEW (SX95TZ-S)



2-3. WIRELESS SUBWOOFER EXPLODED VIEW (SX95TZ-D)

**NOTES)** THE EXCLAMATION POINT WITHIN AN EQUILATERAL TRIANGLE IS INTENDED TO ALERT THE SERVICE PERSONNEL TO THE PRESENCE OF IMPORTANT SAFETY INFORMATION IN SERVICE LITERATURE.



### 3. PACKING ACCESSORY SECTION

