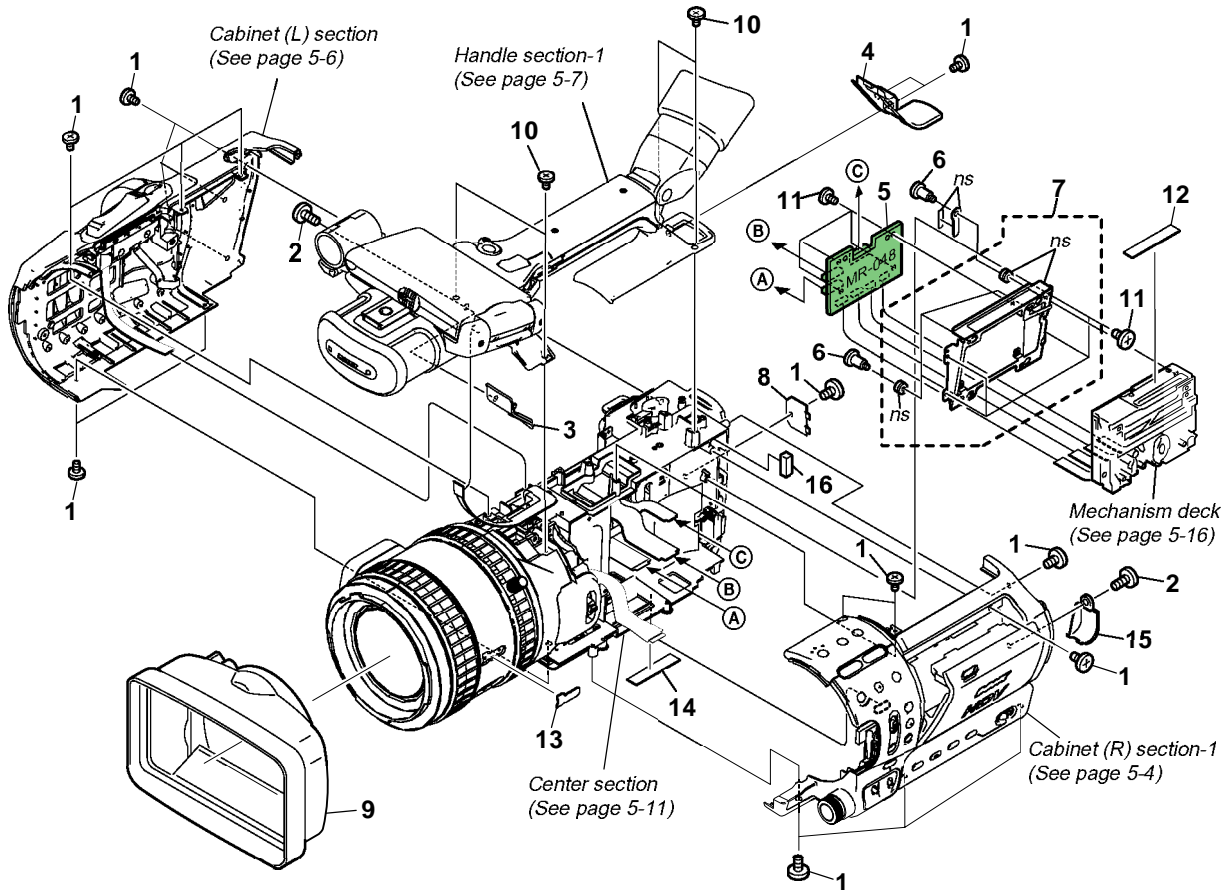


5. REPAIR PARTS LIST

5-1. EXPLODED VIEWS

5-1-1. OVERALL SECTION

ns : not supplied



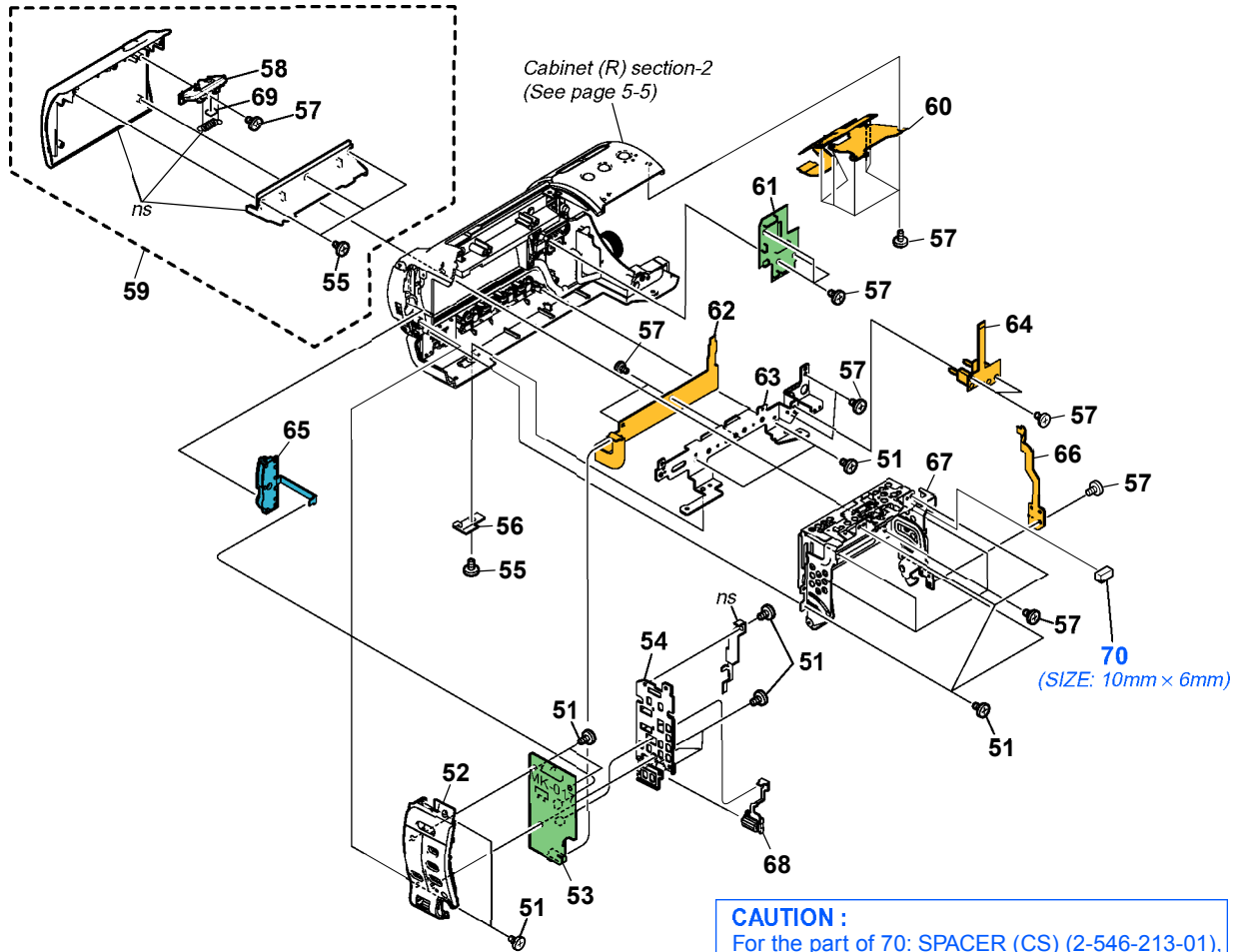
Ref. No.	Part No.	Description
1	3-080-203-31	SREW (M2), LOCK ACE, P2
2	3-080-203-51	SREW (M2), LOCK ACE, P2
3	2-178-563-11	CABINET (FRONT), HANDLE
4	X-2023-935-1	CABINET (REAR) ASSY (D), HANDL
5	A-1097-501-A	MR-048 BOARD, COMPLETE
6	3-059-718-01	SCREW (M1.4X1.5)
7	X-2023-308-1	CHASSIS (MD) ASSY
8	2-179-097-11	LID, CPC

Ref. No.	Part No.	Description
9	2-186-430-01	HOOD
10	3-061-062-11	BOLT (M2.6)
11	3-080-202-21	SCREW (M2), LOCK ACE, P2
12	3-081-221-01	LABEL (Z), LS
13	3-963-933-01	EMBLEM, CCD
14	2-349-043-01	LABEL, TEMP. RECYCLE DATE (Z1J)
15	2-549-592-01	COVER (DCIN)
16	2-546-754-01	GASKET (CS)

5. REPAIR PARTS LIST

5-1-2. CABINET (R) SECTION-1

ns : not supplied



CAUTION :
 For the part of 70: SPACER (CS) (2-546-213-01), cut SPACER (DD) (* 2-546-218-01) into the desired length and use it.

70: (CS) (2-546-213-01)
 (DD) (*2-546-218-01)

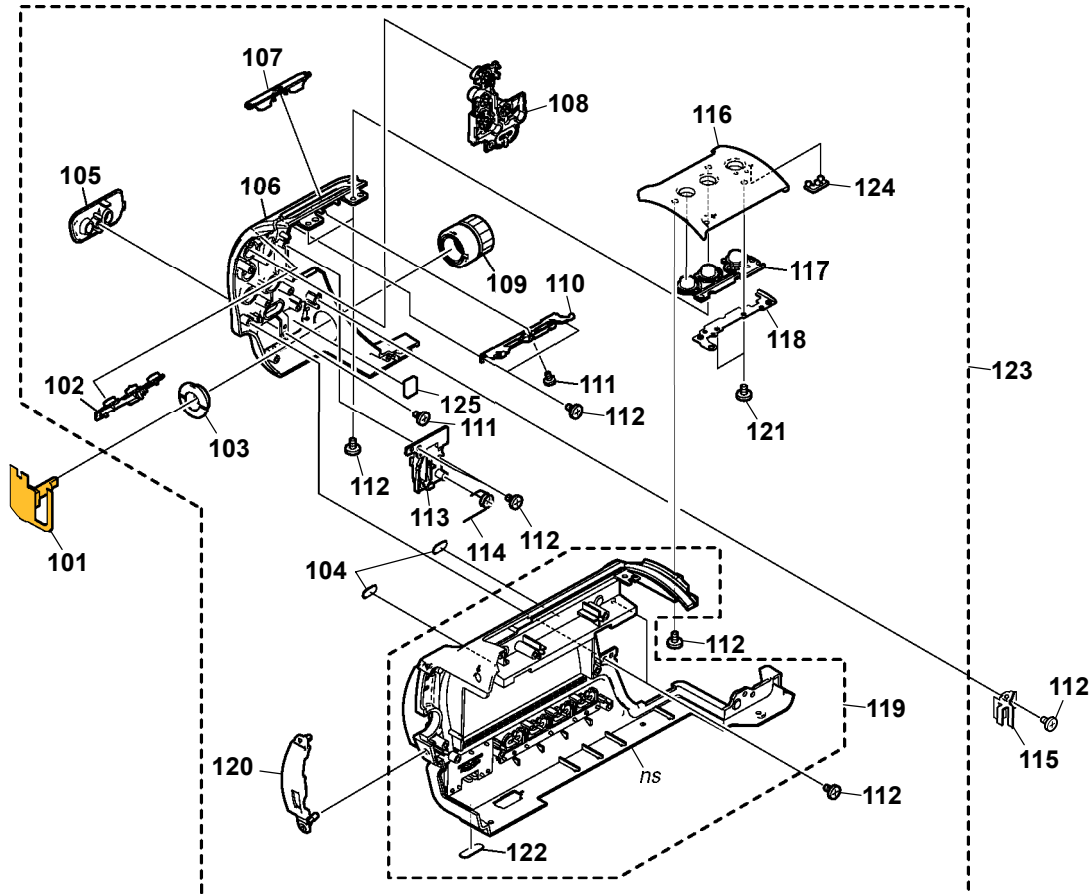
Ref. No.	Part No.	Description
51	3-080-206-21	SCREW, TAPPING, P2
52	X-2023-946-1	PANEL (D) ASSY, CAMERA CONTROL
53	A-1081-906-A	MK-017 BOARD, COMPLETE
54	X-2048-559-2	BRACKET (KURUPON) ASSY
55	3-080-203-31	SREW (M2), LOCK ACE, P2
56	2-179-168-11	LID, MD
57	3-080-202-21	SCREW (M2), LOCK ACE, P2
58	X-2023-895-1	KNOB (D) ASSY, EJECT
59	X-2023-894-1	LID (D) ASSY, CASSETTE
60	1-864-137-22	FP-961 FLEXIBLE BOARD

Ref. No.	Part No.	Description
61	A-1073-864-A	CK-143 BOARD, COMPLETE
62	1-864-142-23	FP-966 FLEXIBLE BOARD
63	2-179-113-01	SHEET METAL (AUTOLOCK), GROUND
64	1-864-139-22	FP-963 FLEXIBLE BOARD
65	1-479-239-11	SWITCH BLOCK, CONTROL (VV91010)
66	1-864-141-41	FP-965 FLEXIBLE BOARD
67	X-2023-383-1	FRAME ASSY, CS
68	1-478-964-12	ENCODER (ROTARY)
69	2-349-540-01	CUSHION (EJECT)
70	CAUTION	SPACER (CS)

5. REPAIR PARTS LIST

5-1-3. CABINET (R) SECTION-2

ns : not supplied



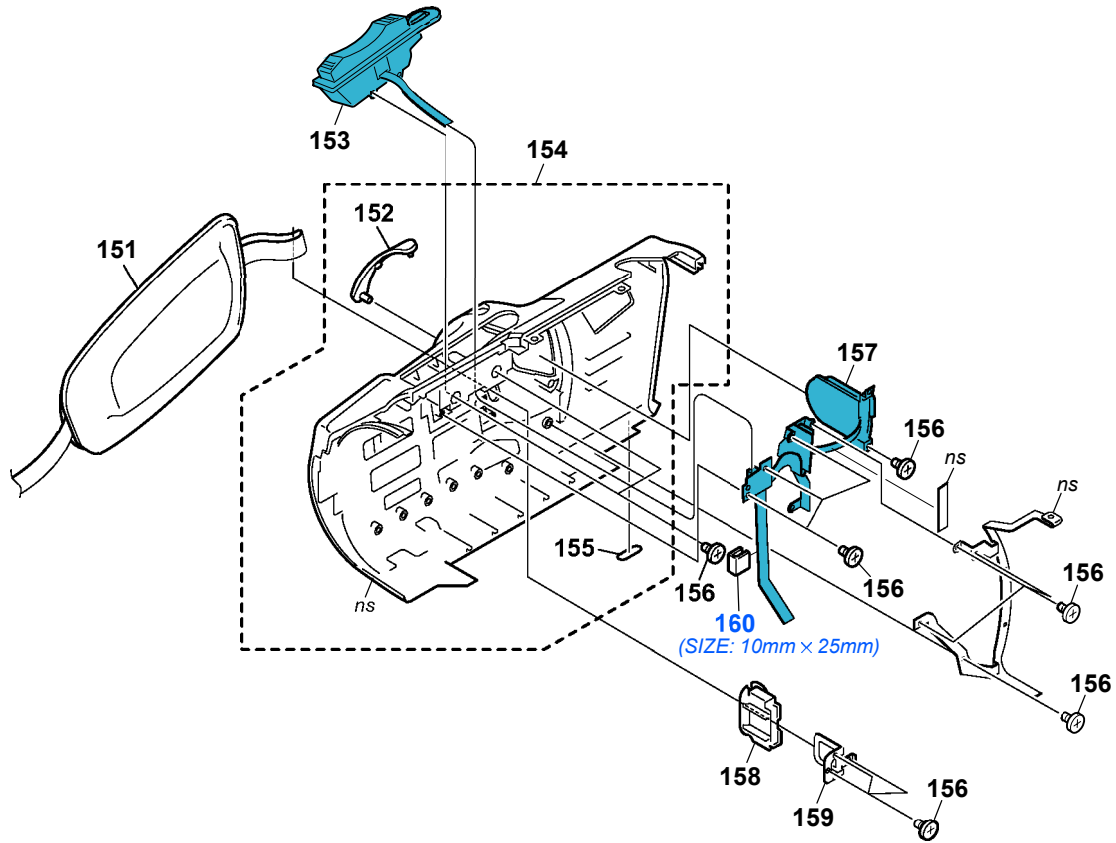
Ref. No.	Part No.	Description
101	1-864-138-22	FP-962 FLEXIBLE BOARD
102	2-179-125-11	BUTTON (BACK LIGHT), 3 GANGS
103	2-179-137-01	HOLDER (2), IRIS KNOB
104	2-179-160-01	CUSHION (CASSETTE LID)
105	2-179-124-21	ESCUTCHEON (GAIN)
106	2-179-123-21	CABINET (R (STEM LOWER))
107	X-2023-893-1	PLATE (HDV) (D) ASSY
108	2-179-126-11	BUTTON (USER), 3 GANGS
109	X-2024-876-1	KNOB ASSY, IRIS
110	2-179-132-01	BRACKET (HDV)
111	3-078-890-01	SCREW, TAPPING
112	3-080-202-21	SCREW (M2), LOCK ACE, P2
113	X-2023-892-1	KNOB (D) ASSY, F

Ref. No.	Part No.	Description
114	2-179-164-01	SPRING (F), TORSION
115	2-179-112-01	BRACKET (IRIS)
116	2-179-122-01	CABINET (R (STEM UPPER))
117	2-179-130-11	BUTTON, TRNS
118	2-179-133-01	BRACKET (ST)
119	X-2023-891-1	CABINET (R D) SUB ASSY
120	2-189-574-01	COVER (VOL) (D), SWITCH
121	3-078-889-11	SCREW (M1.7)
122	2-178-805-01	FOOT, RUBBER
123	X-2023-890-1	CABINET (R) (D) ASSY
124	2-179-131-01	LIGHT (TRANS), GUIDE
125	2-055-995-01	SPACER (40), B (TO) (B)

5. REPAIR PARTS LIST

5-1-4. CABINET (L) SECTION

ns : not supplied



CAUTION :
 For the part of 160: SHEET, FPC RETAINER (2-348-839-01), cut SPACER (DD) (* 2-546-218-01) into the desired length and use it.

160: FPC (2-348-839-01)
 (DD) (*2-546-218-01)

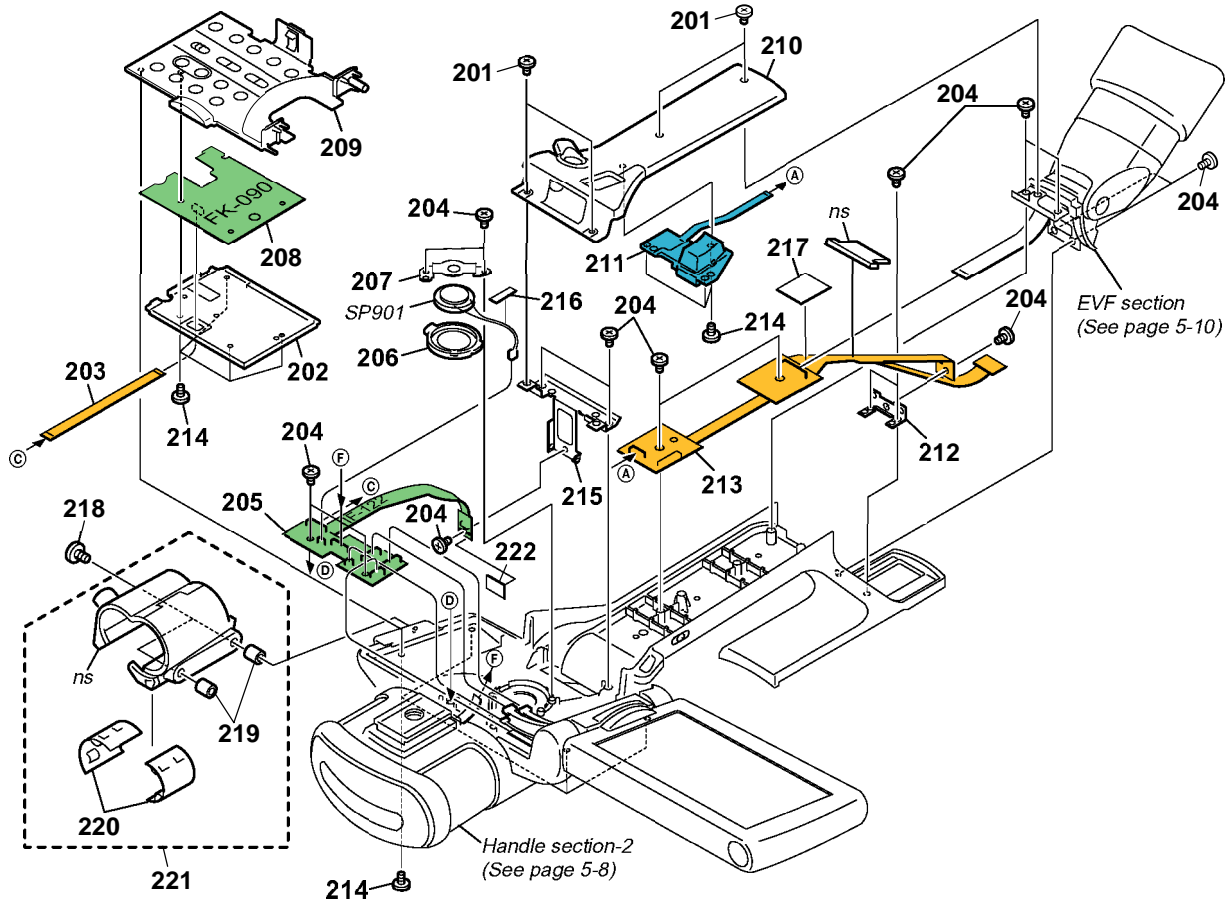
Ref. No.	Part No.	Description
151	2-178-804-01	BELT, GRIP
152	2-159-436-01	COVER, JACK
153	1-478-912-22	SWITCH BLOCK, CONTROL (CF5610)
154	X-2023-939-1	CABINET (L) ASSY (D)
155	2-178-805-01	FOOT, RUBBER

Ref. No.	Part No.	Description
156	3-080-205-21	SCREW, TAPPING, P2
157	1-478-876-32	SWITCH BLOCK, CONTROL (PS5610)
158	2-159-435-01	HOLDER, GRIP BELT
159	2-159-437-01	SHEET METAL, GRIP BELT
160	CAUTION	SHEET, FPC RETAINER

5. REPAIR PARTS LIST

5-1-5. HANDLE SECTION-1

ns : not supplied



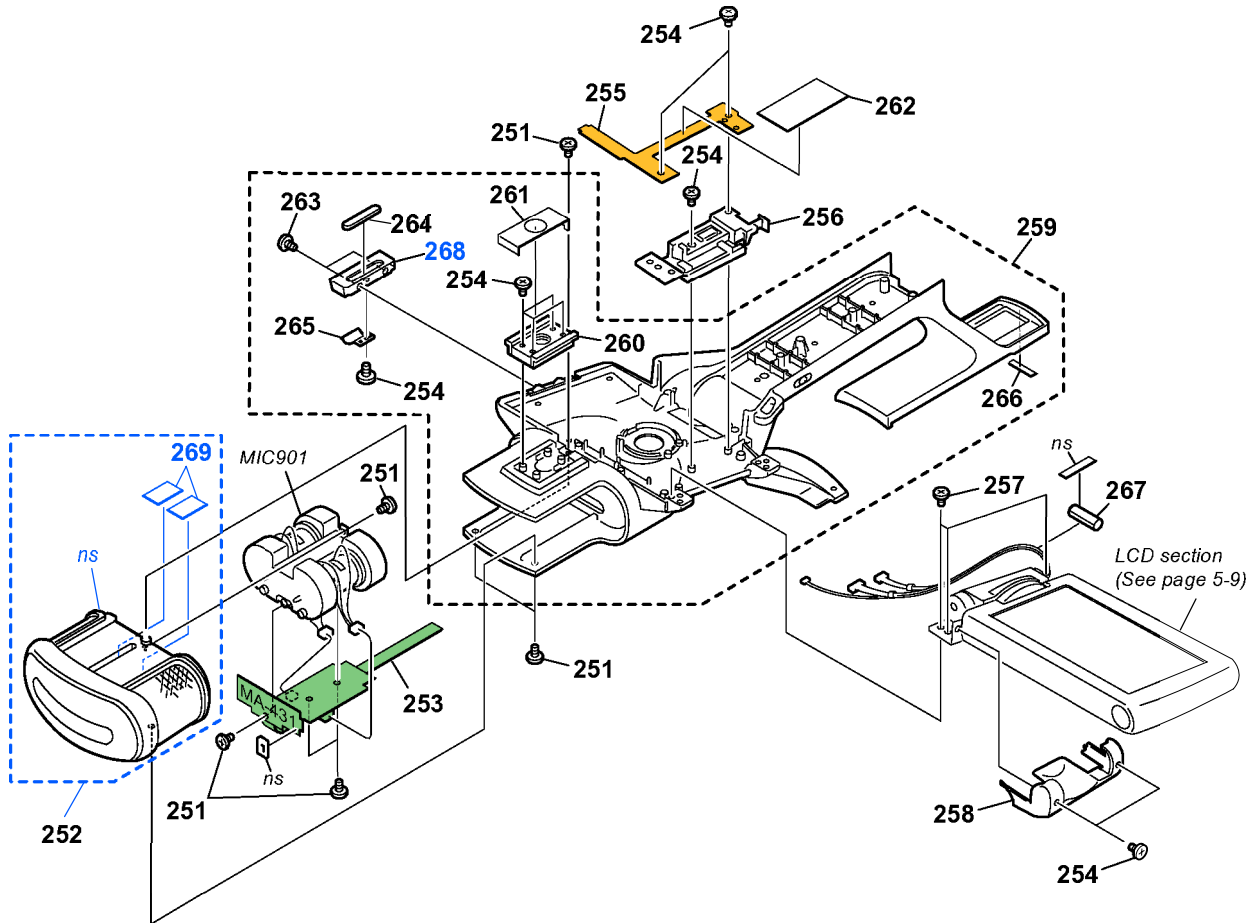
Ref. No.	Part No.	Description
201	3-080-203-31	SREW (M2), LOCK ACE, P2
202	2-178-564-01	COVER, BUTTON
203	1-829-703-12	CABLE, FLEXIBLE FLAT (FDM-009)
204	3-080-202-21	SCREW (M2), LOCK ACE, P2
205	A-1073-871-A	IF-122 BOARD, COMPLETE
206	2-178-550-01	HOLDER, SPEAKER
207	X-2023-281-1	RETAINER ASSY, SPEAKER
208	A-1073-865-A	FK-090 BOARD, COMPLETE
209	X-2023-936-1	CABINET ASSY (D), HANDLE PANEL
210	X-2023-934-1	CABINET (UPPER) ASSY (D), HAND
211	1-478-955-12	SWITCH BLOCK, CONTROL (ZS-5610)
212	2-179-995-01	BRACKET (REAR, PWB) CHASSIS

Ref. No.	Part No.	Description
213	A-1073-876-A	FP-980 FLEXIBLE BOARD
214	3-080-206-21	SCREW, TAPPING, P2
215	2-178-400-01	BRACKET, IF
216	3-061-516-01	SHEET, RF FLEXIBLE
217	3-060-795-01	TAPE, HARNESS FIXED
218	4-649-161-01	SCREW (M3X6), (+TRUSS)
219	3-654-058-02	SPACER 3X3
220	3-608-303-01	RUBBER
221	X-2023-933-1	HOLDER ASSY, MICROPHONE
222	2-547-787-01	SHEET (BB)
SP901	1-825-968-11	LOUDSPEAKER (1.8CM)

5. REPAIR PARTS LIST

5-1-6. HANDLE SECTION-2

ns : not supplied

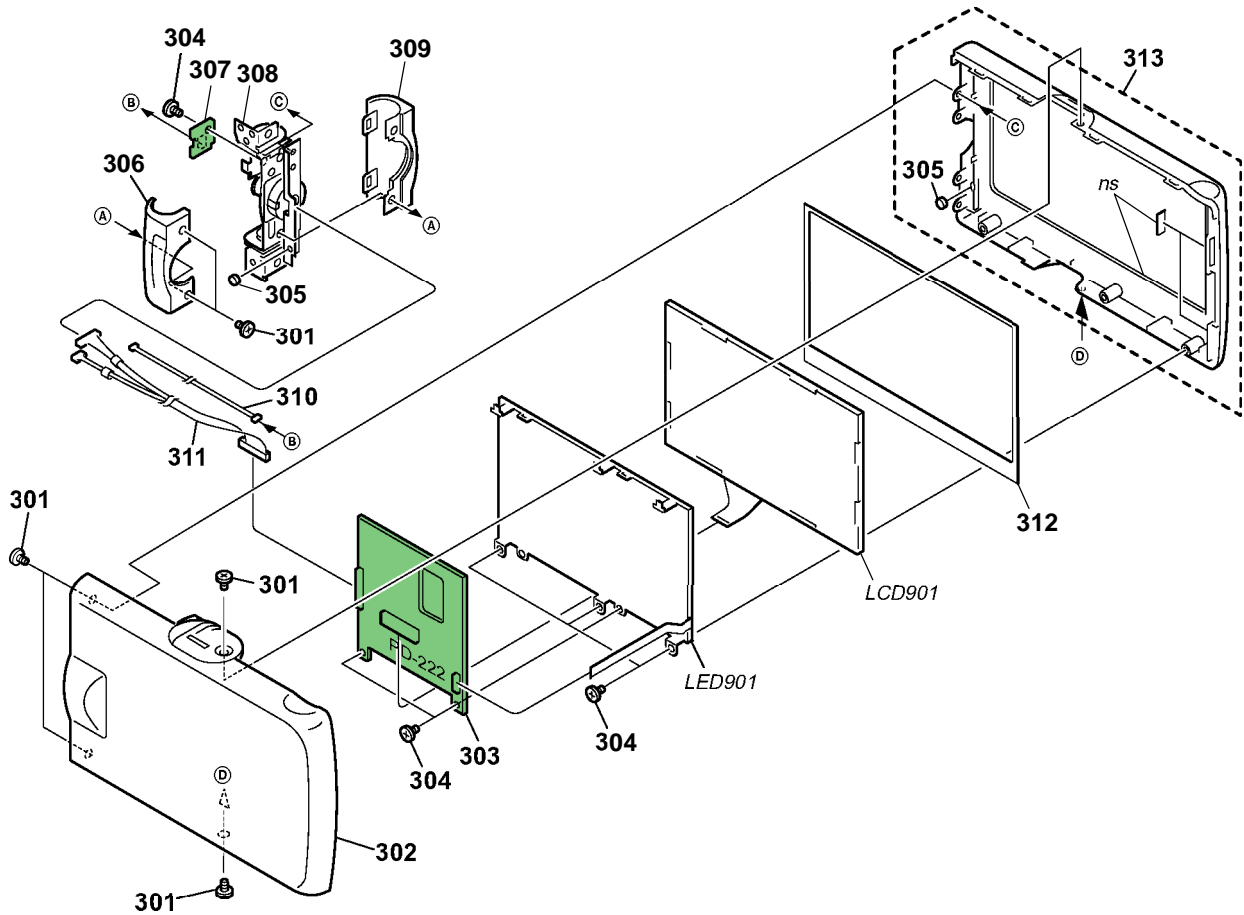


Ref. No.	Part No.	Description	Ref. No.	Part No.	Description
251	3-080-206-21	SCREW, TAPPING, P2	261	2-178-568-01	COVER, ACCESSORY FITTING WASHER
252	X-2023-937-1	MASK ASSY (D), MICROPHONE	262	2-549-852-01	SHEET (FP967), PROTECTION
253	A-1073-872-A	MA-431 BOARD, COMPLETE	263	3-061-062-11	BOLT (M2.6)
254	3-080-203-31	SREW (M2), LOCK ACE, P2	264	2-189-578-01	CUSHION (D), PANEL
255	A-1073-875-A	FP-967 FLEXIBLE BOARD	* 265	3-678-684-00	HOLDER, CABLE
256	2-179-409-01	GUIDE, HARNESS	266	2-348-510-01	SPACER (HANDLE REAR)
257	7-627-556-37	SCREW, PRECISION +P2.6X4 TYPE 1	267	2-514-960-01	CLAMP, HARNESS
258	2-179-396-11	COVER (LOWER), HINGE	268	2-189-579-01	COVER (D), PANEL (SIDE)
259	X-2023-998-1	HANDLE ASSY (D)	269	2-547-787-01	SHEET (BB)
260	2-178-567-01	WASHER, ACCESSORY FITTING			
			MIC901	1-542-606-11	MICROPHONE UNIT

5. REPAIR PARTS LIST

5-1-7. LCD SECTION

ns : not supplied



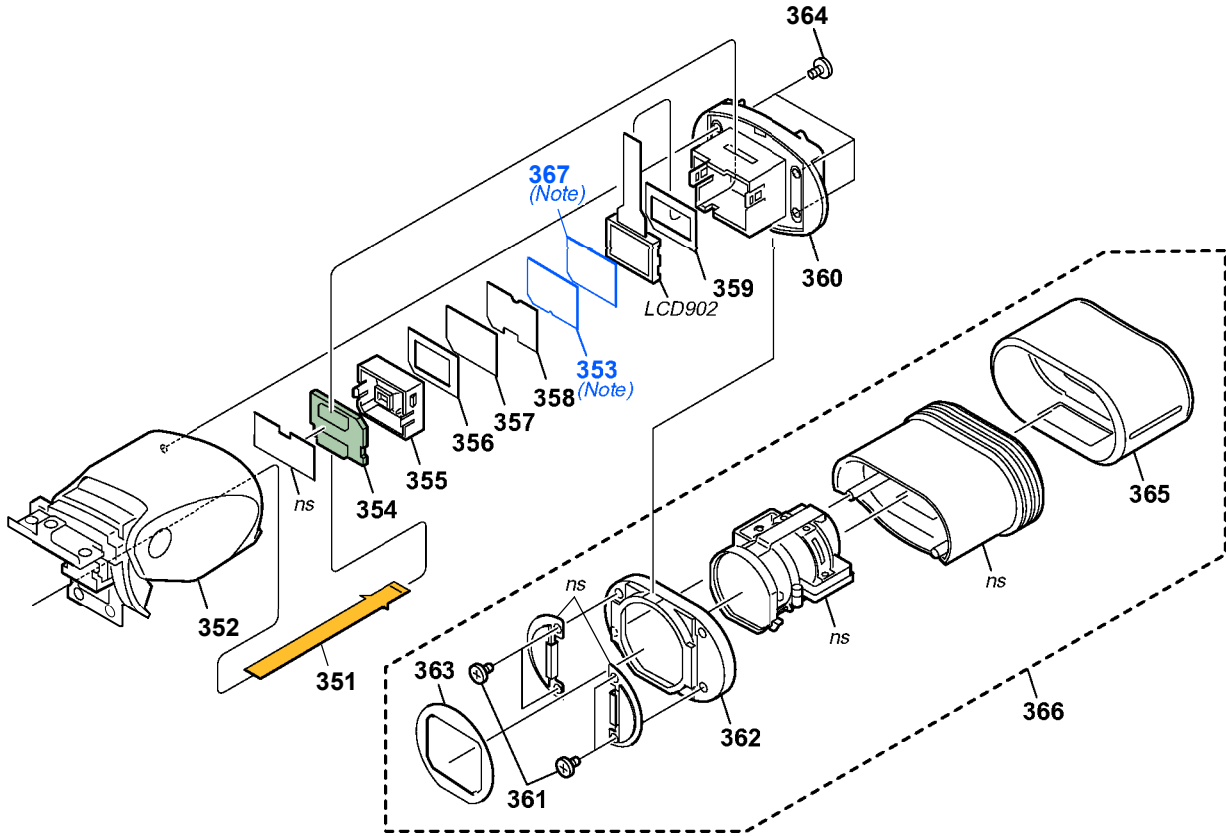
Ref. No.	Part No.	Description
301	3-080-203-31	SREW (M2), LOCK ACE, P2
302	X-2023-940-1	CABINET (C) ASSY (D), P
303	A-1073-868-A	PD-222 BOARD, COMPLETE
304	3-080-202-21	SCREW (M2), LOCK ACE, P2
305	1-471-278-11	MAGNET
306	2-179-394-11	COVER (FRONT), HINGE
307	A-1073-870-A	SW-433 BOARD, COMPLETE
308	X-2023-394-1	HINGE ASSY

Ref. No.	Part No.	Description
309	2-179-395-11	COVER (REAR), HINGE
310	1-963-030-11	HARNESS (SW-116)
311	1-963-156-11	HARNESS (PD-226)
312	2-190-969-01	CUSHION, PANEL
313	X-2024-038-1	CABINET (M) ASSY, P
LCD901	8-753-209-06	ACX530AK-J
LED901	1-478-568-13	BLOCK, LIGHT GUIDE PLATE (3.5)

5. REPAIR PARTS LIST

5-1-8. EVF SECTION

ns : not supplied



Ref. No.	Part No.	Description
351	1-864-152-13	FP-984 FLEXIBLE BOARD
352	X-2023-945-1	CABINET (FRONT) ASSY (D), VF
353	2-597-949-01	SHEET (C), PRISM (Note)
354	A-1073-866-A	LB-106 BOARD, COMPLETE
355	2-179-258-01	GUIDE, LAMP
356	2-179-261-01	CUSHION, LCD
357	2-179-257-01	ILLUMINATOR (VF), LCD
358	2-179-260-01	SHEET (B), PRISM
359	2-189-594-01	PLATE, LCD GROUND

Ref. No.	Part No.	Description
360	X-2023-924-1	HOLDER ASSY, LCD
361	3-080-204-21	SCREW, TAPPING, P2
362	2-179-266-01	BASE, HOLDER
363	2-179-265-01	PANEL, POLARIZATION
364	3-080-203-31	SREW (M2), LOCK ACE, P2
365	2-179-291-01	EYE CUP
366	X-2023-944-1	CABINET ASSY (D), VF REAR
367	2-597-950-01	ILLUMINATOR (UPPER), LCD (Note)
LCD902	8-753-221-32	LCX068AK-J (for SERVICE)

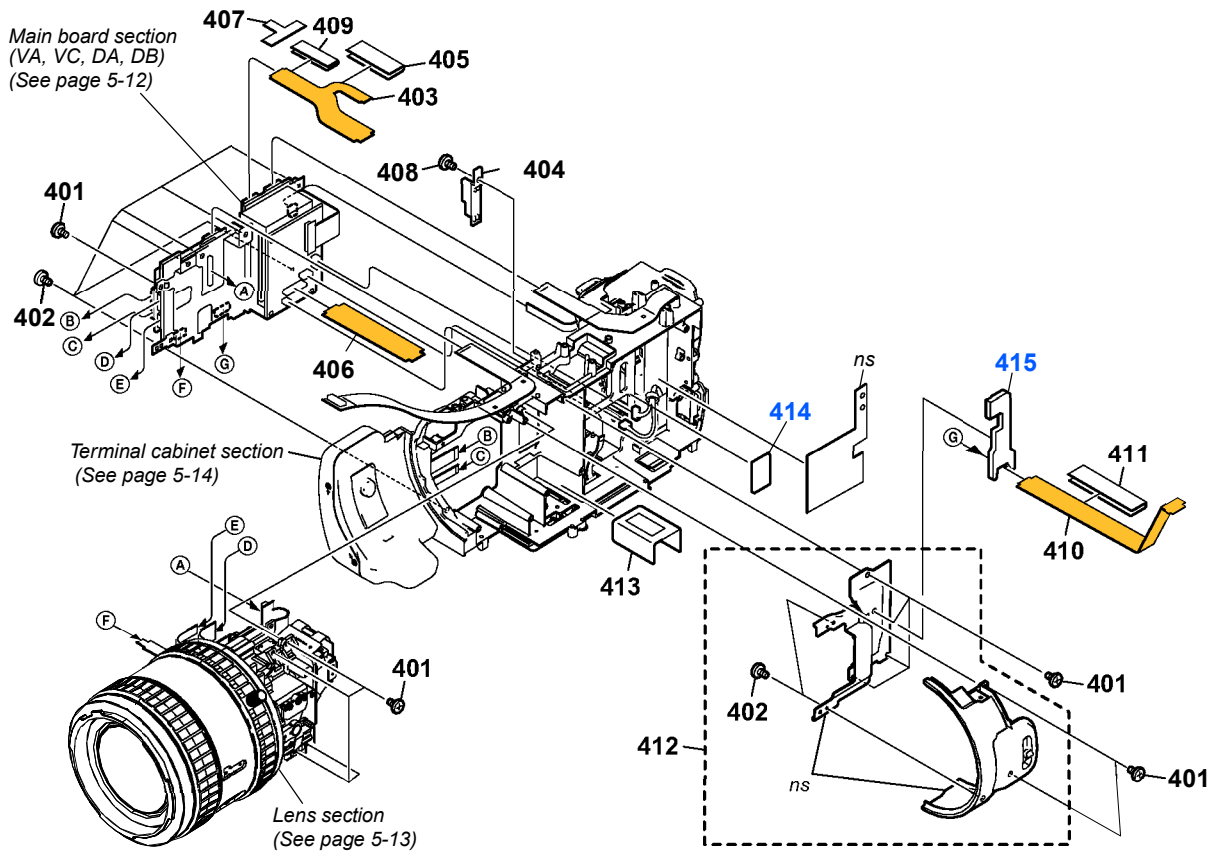
Note: When replacing parts, follow the combination of parts below. When replaced to the New Type, be sure to execute the Back Light Adjustment. (See page 6-59 Backlight Adjustment)

Ref. No	OLD TYPE	NEW TYPE
353	2-179-259-01	2-597-949-01
367	—	2-597-950-01

5. REPAIR PARTS LIST

5-1-9. CENTER SECTION

ns : not supplied



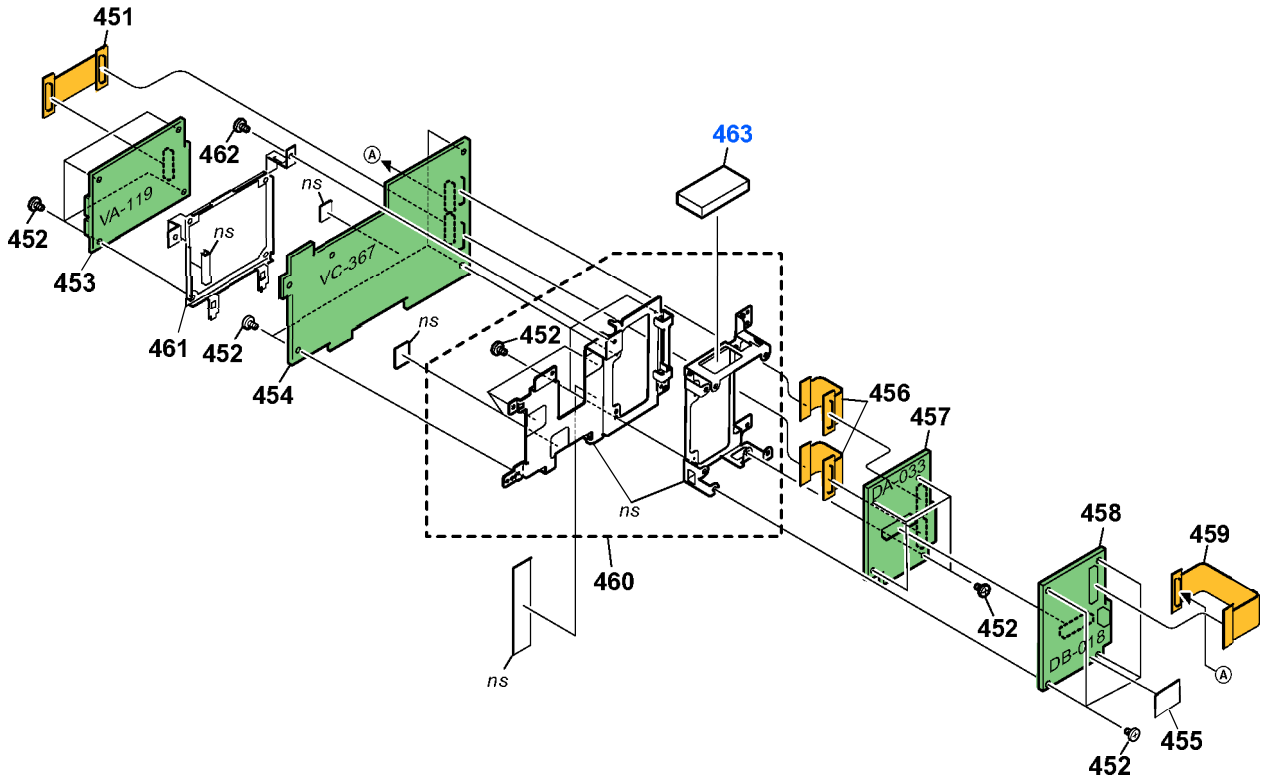
Ref. No.	Part No.	Description
401	3-080-202-41	SCREW(M2), LOCK ACE, P2
402	3-080-202-21	SCREW (M2), LOCK ACE, P2
403	1-864-146-12	FP-974 FLEXIBLE BOARD
404	2-178-776-01	HOLDER (CCD CONNECTOR)
405	2-546-216-01	SHEET (FP974, EMI)
406	1-864-272-11	FP-985 FLEXIBLE BOARD
407	2-549-968-01	TAPE (FP974), PROTECTION
408	3-080-203-31	SREW (M2), LOCK ACE, P2

Ref. No.	Part No.	Description
409	2-546-211-01	SHEET (FP974)
410	1-864-145-12	FP-972 FLEXIBLE BOARD
411	2-546-215-01	SHEET (FP972, EMI)
412	X-2023-889-1	CABINET (R (LENS)) D ASSY
413	2-546-212-01	SHEET (CCD GUARD)
* 414	2-546-219-01	SPACER (CHASSIS)
* 415	2-189-592-02	CUSHION (FP), PROTECTION

5. REPAIR PARTS LIST

5-1-10. MAIN BOARD SECTION (VA, VC, DA, DB)

ns : not supplied



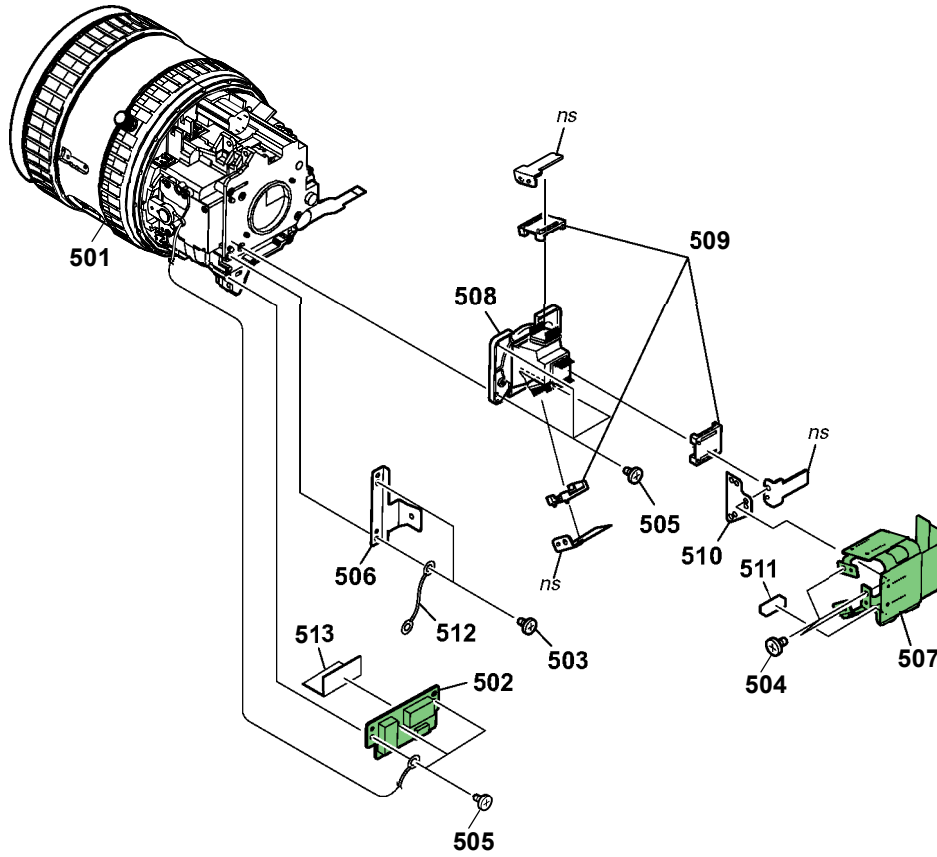
Ref. No.	Part No.	Description
451	A-1074-708-A	FP-971 FLEXIBLE BOARD
452	3-080-202-21	SCREW (M2), LOCK ACE, P2
453	A-1082-309-A	VA-119 BOARD, COMPLETE
454	A-1091-890-A	VC-367 BOARD, COMPLETE (SERVICE)
455	2-586-052-01	SHEET (COIL, EMI)
456	A-1074-710-A	FP-976 FLEXIBLE BOARD

Ref. No.	Part No.	Description
457	A-1081-942-A	DA-033 BOARD, COMPLETE
458	A-1081-943-A	DB-018 BOARD, COMPLETE
459	A-1074-711-A	FP-977 FLEXIBLE BOARD
460	X-2023-303-1	HEAT SINK (VC) ASSY
461	2-178-778-01	CHASSIS (VA)
462	3-080-202-41	SCREW (M2), LOCK ACE, P2
* 463	2-546-218-01	SPACER (DD)

5. REPAIR PARTS LIST

5-1-11. LENS SECTION

ns : not supplied



Ref. No.	Part No.	Description
501	A-1106-565-A	UNIT (B165B) (SERVICE)
502	A-1073-869-A	SE-150 BOARD, COMPLETE
503	3-080-206-21	SCREW, TAPPING, P2
504	3-080-202-21	SCREW (M2), LOCK ACE, P2
505	3-080-204-31	SCREW, TAPPING, P2
506	2-178-777-01	BRACKET (HEAT SINK)
507	A-1073-873-A	CD-522 BOARD, COMPLETE (IC101, IC102 and IC103 are not included in this COMPLETE of CD-522 board.)

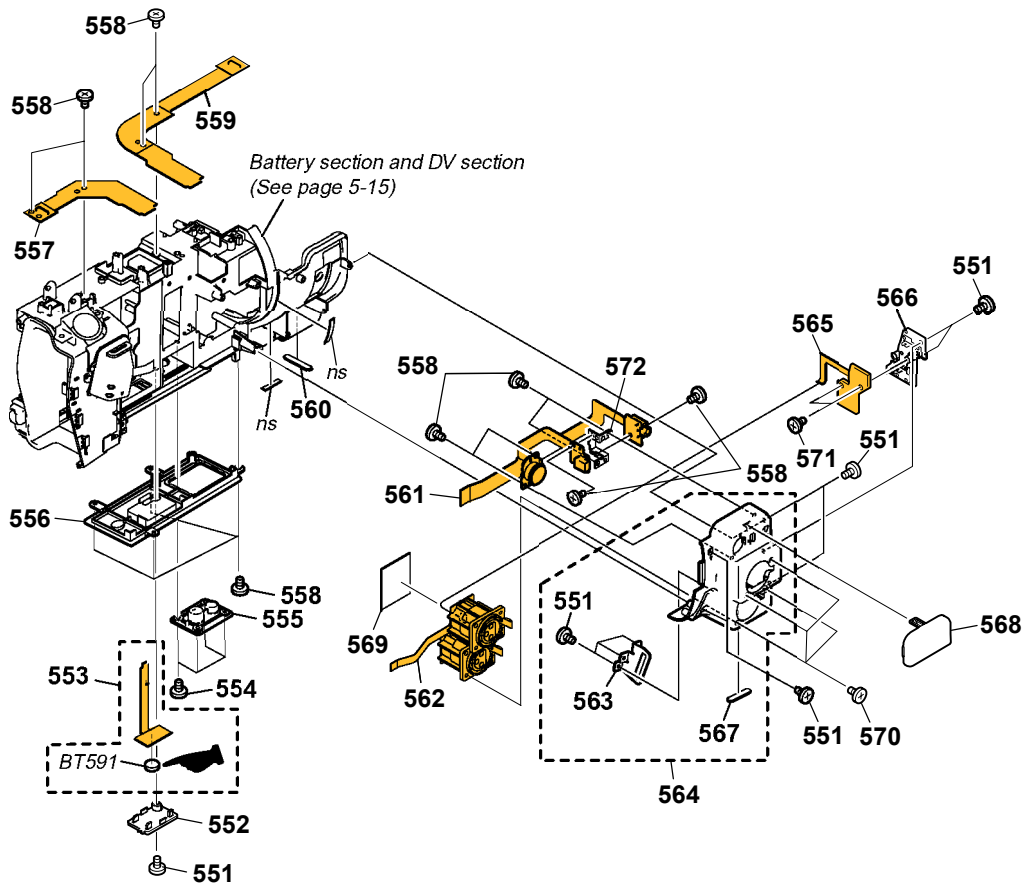
Ref. No.	Part No.	Description
508	A-1086-405-A	PRISM ASSY (SERVICE) (INCLUDED 3CCD) (IC101, IC102 and IC103 are included in PRISM assy.)
509	X-2023-307-1	HOLDER (CCD) ASSY
510	2-178-780-01	SHEET (GF)
* 511	3-053-354-01	CUSHION, CD FLEXIBLE
512	1-963-389-11	HARNES (LS-001)
513	3-060-795-01	TAPE, HARNES FIXED


Be sure to read "Precautions upon replacing CCD imager" on page 4-5 when changing the CCD imager.		
CCD		4-6
"CCD	"	

5. REPAIR PARTS LIST

5-1-12. TERMINAL CABINET SECTION

ns : not supplied



 BT591 (Lithium battery) FP-959 flexible board on the mount position (See page 4-119)

Ref. No.	Part No.	Description
551	3-080-203-31	SREW (M2), LOCK ACE, P2
552	2-179-100-11	LID (LITHIUM)
553	A-1074-707-A	FP-959 FLEXIBLE BOARD
554	2-342-356-01	SCREW (M2 (ECO, EG))
555	2-178-793-01	BRACKET (TRIPOD)
556	2-178-790-11	PLATE (BOTTOM)
557	A-1074-709-A	FP-975 FLEXIBLE BOARD
558	3-080-202-21	SCREW (M2), LOCK ACE, P2
559	A-1074-713-A	FP-981 FLEXIBLE BOARD
560	2-178-779-01	REG (RUBBER)
561	A-1092-654-A	JK-275 BOARD, COMPLETE
562	A-1074-712-A	FP-978 FLEXIBLE BOARD

Ref. No.	Part No.	Description
563	2-178-799-01	SHEET METAL (FRONT), GRIP
564	X-2023-996-1	CABINET (D) ASSY, TERMINAL
565	1-864-252-21	FP-960 FLEXIBLE BOARD
566	X-2023-997-1	PANEL ASSY, XLR
567	2-178-805-01	FOOT, RUBBER
568	2-189-583-01	COVER (D), TERMINAL
569	2-589-742-01	TAPE, PROTECTION
570	3-061-062-11	BOLT (M2.6)
571	3-080-206-21	SCREW, TAPPING, P2
572	2-189-582-01	SHEET METAL (AV) (D), FITTING
△ BT591	1-756-128-11	BATTERY, LITHIUM (SECONDARY)

CAUTION :
 Danger of explosion if battery is incorrectly replaced.
 Replace only with the same or equivalent type.

注意
 電池の交換は、正しく行なわないと破裂する可能性があります。電池を交換する場合には必ず同じ型名の電池又は同等品と交換してください。

The components identified by mark △ or dotted line with mark △ are critical for safety.
 Replace only with part number specified.

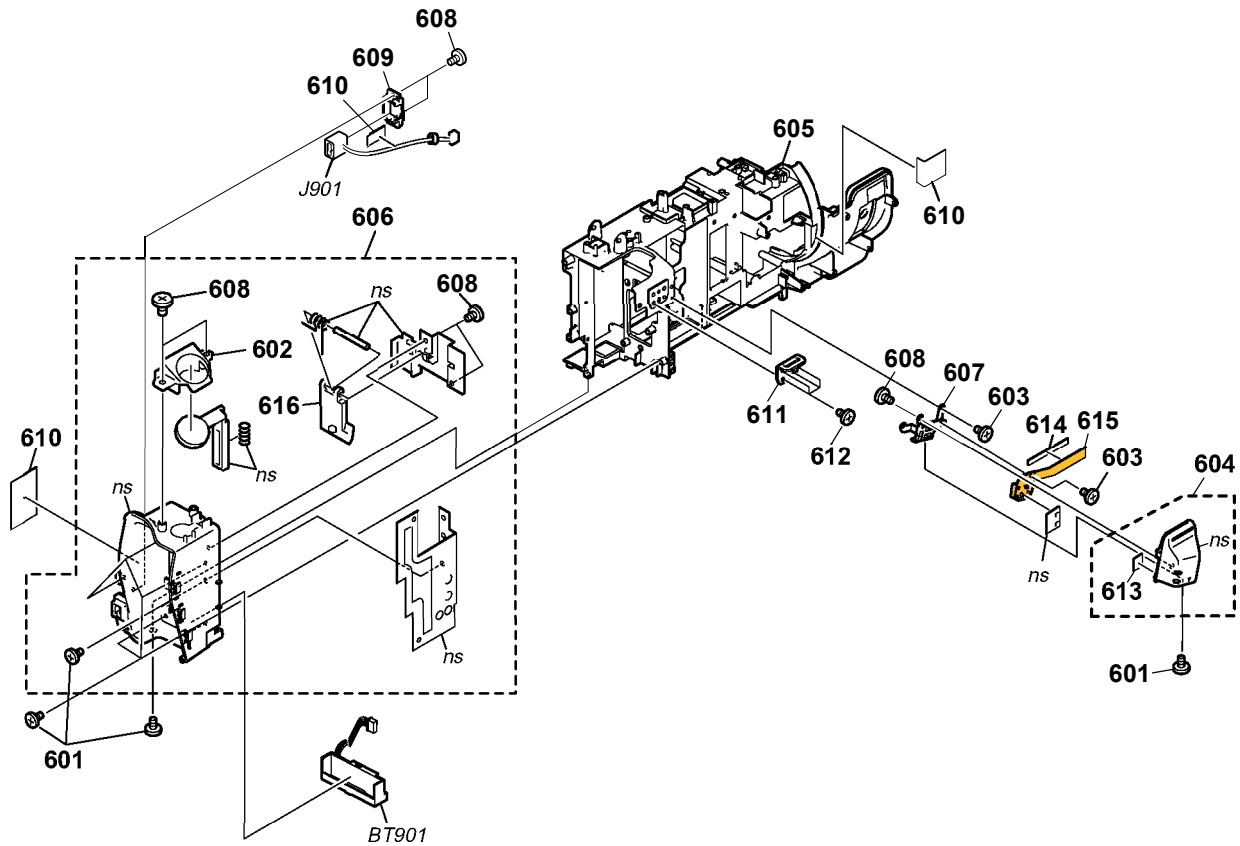
Les composants identifiés par une marque △ sont critiques pour la sécurité.
 Ne les remplacer que par une pièce portant le numéro spécifié.

△印の部品、または△印付の点線で囲まれた部品は、安全性を維持するために、重要な部品です。
 従って交換時は、必ず指定の部品を使用してください。

5. REPAIR PARTS LIST

5-1-13. BATTERY SECTION AND DV SECTION

ns : not supplied



Ref. No.	Part No.	Description
601	3-080-203-31	SREW (M2), LOCK ACE, P2
602	2-179-108-11	COVER (RELEASE BUTTON)
603	3-080-202-21	SCREW (M2), LOCK ACE, P2
604	X-2023-941-1	CABINET (DV) ASSY (D)
605	2-178-784-11	CHASSIS (CENTER)
606	X-2023-947-1	PANEL ASSY (D), BATTERY
607	2-178-794-01	SHEET METAL (DV), FITTING
608	3-080-206-21	SCREW, TAPPING, P2
609	2-179-101-01	HOLDER (DC IN), TERMINAL

Ref. No.	Part No.	Description
610	3-060-795-01	TAPE, HARNESS FIXED
611	2-178-785-01	SHEET METAL (REAR), STRAP
612	7-627-556-37	SCREW, PRECISION +P2.6X4 TYPE 1
613	2-349-594-01	SHEET, DV GUARD
614	2-547-279-01	SPACER (DV)
615	A-1073-874-A	FP-964 FLEXIBLE BOARD
616	3-060-595-01	CLAW, BT LOCK
△ BT901	1-694-411-11	TERMINAL BOARD, BATTERY
△ J901	1-818-960-11	CONNECTOR, DC-IN

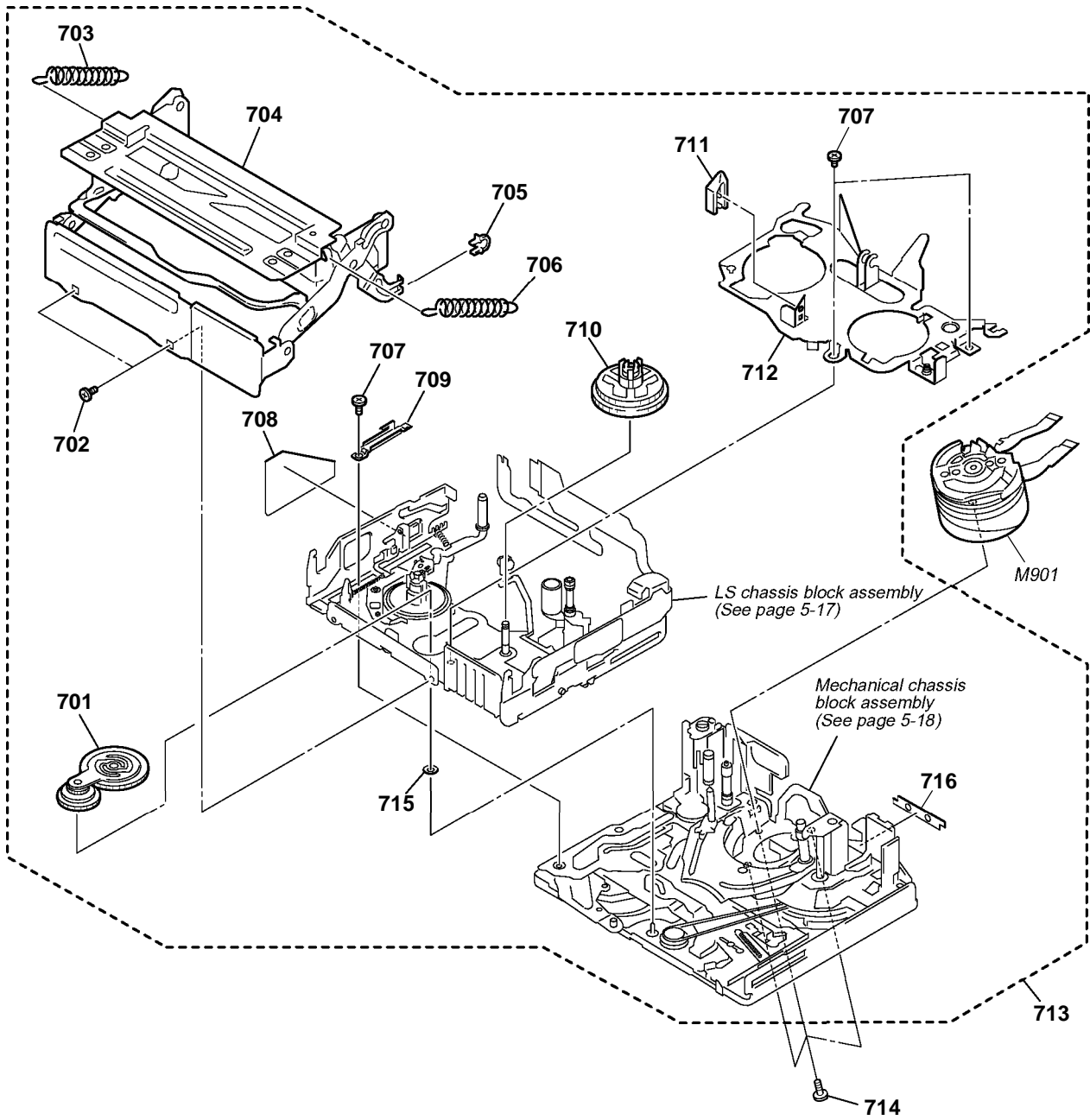
The components identified by mark △ or dotted line with mark △ are critical for safety. Replace only with part number specified.

Les composants identifiés par une marque △ sont critiques pour la sécurité. Ne les remplacer que par une pièce portant le numéro spécifié.

△印の部品、または△印付の点線で囲まれた部品は、安全性を維持するために、重要な部品です。従って交換時は、必ず指定の部品を使用してください。

5. REPAIR PARTS LIST

5-1-14. MECHANISM DECK OVERALL (Z311)



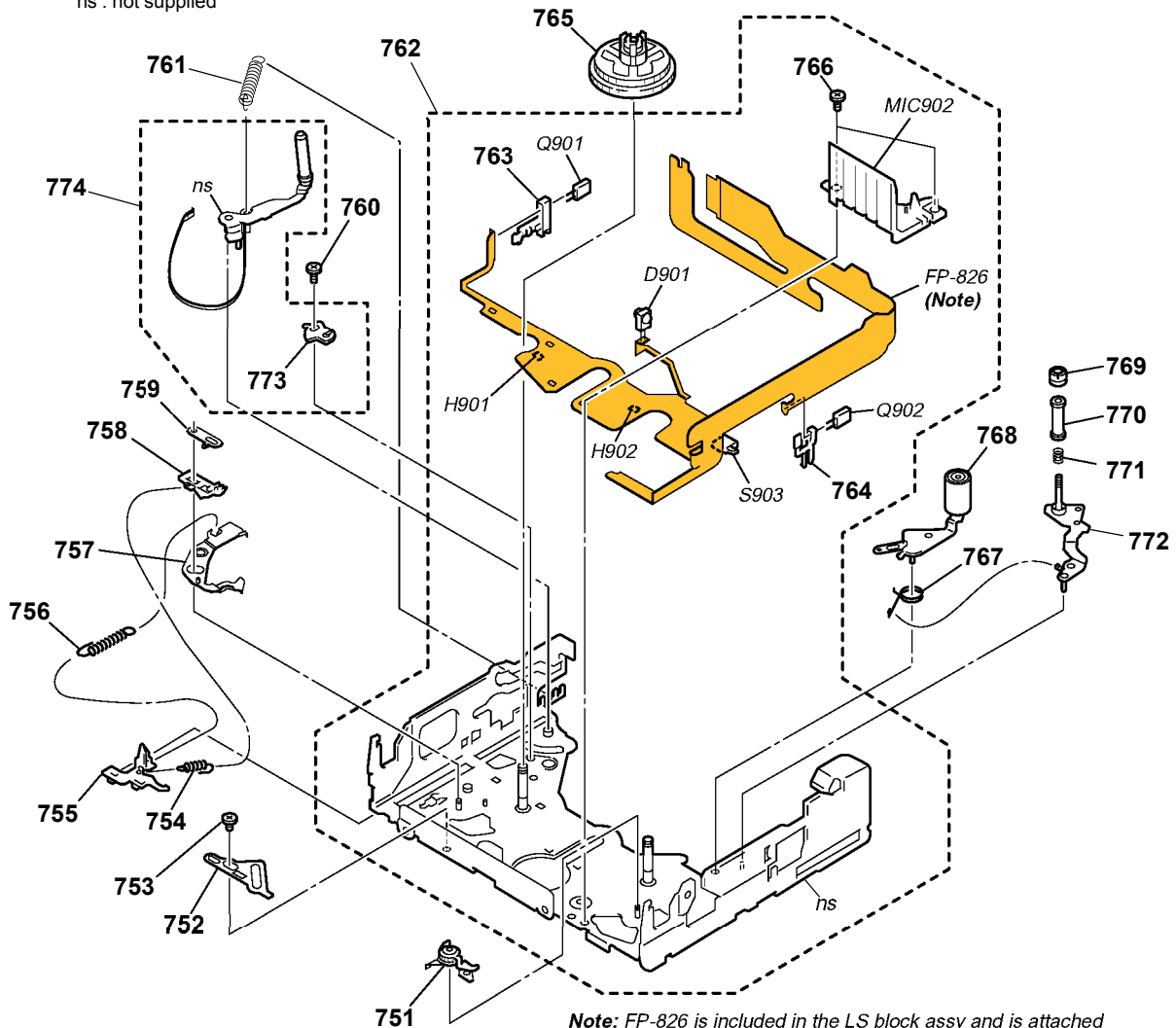
Ref. No.	Part No.	Description
701	X-3952-938-6	GEAR ASSY, GOOSENECK
702	3-075-097-11	SCREW (M1.4X1.4), SPECIAL HEAD
703	3-079-206-02	SPRING (POP UP S), TXTENSION
704	X-2024-802-1	CASSETTE COMPARTMENT ASSY
705	3-079-367-01	DAMPER, CASSETTE COMPARTMENT
706	3-079-215-02	SPRING (POP UP T), EXTENSION
707	3-085-330-01	SCREW, SPECIAL
708	3-080-545-01	COVER, SENSOR S
709	3-079-364-01	RETAINER, LS GUIDE

Ref. No.	Part No.	Description
710	X-3952-937-1	TABLE ASSY, T REEL
711	3-079-366-01	RELEASE, REEL LOCK
712	X-3953-257-1	PLATE ASSY, RETAINER
713	A-1075-360-A	MD (Z300) SUB ASSY (Y)
714	3-079-741-02	SCREW, DRUM FIXING
715	3-748-682-01	WASHER, T
716	3-087-881-01	SHEET, ADHESIVE, FLEXIBLE
M901	A-1082-202-A	DRUM (DEH-30F-R)

5. REPAIR PARTS LIST

5-1-15. LS CHASSIS BLOCK ASSEMBLY

ns : not supplied



Note: FP-826 is included in the LS block assy and is attached to chassis by hot-press. Because installation of FP-826 requires a very high accuracy, FP-826 is not supplied as an independent service parts.

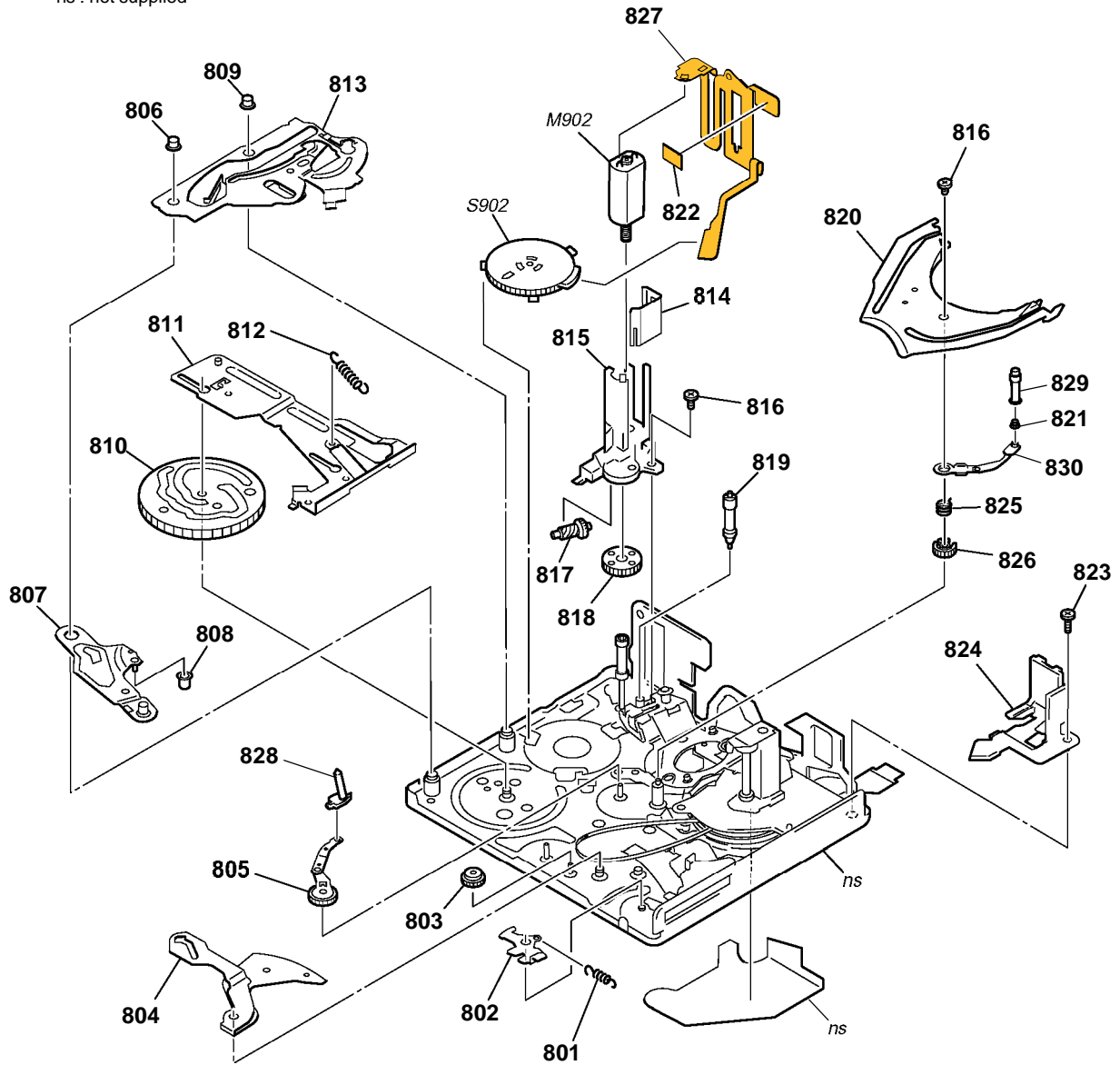
Ref. No.	Part No.	Description
751	A-7095-663-F	BRAKE (T) BLOCK ASSY
752	3-079-241-01	PLATE, LS CAM
753	3-075-097-11	SCREW (M1.4X1.4), SPECIAL HEAD
754	3-079-246-01	SPRING (RELEASE RACK), EXTENSION
755	3-079-248-01	POSITIONING (S), CASSETTE
756	3-079-244-01	SPRING (ULE), EXTENSION
757	X-3952-932-1	BRAKE ASSY, ULE
758	3-079-245-01	RACK (S), RELEASE
759	3-079-247-01	BRAKE (S)
760	3-059-090-11	SCREW (M1.4X2.5), SPECIAL HEAD
761	3-079-242-01	SPRING, TENSION
762	A-7095-951-A	LS BLOCK ASSY
763	3-079-267-01	HOLDER (S), SENSOR
764	3-079-268-01	HOLDER (T), SENSOR
765	X-3952-936-2	TABLE ASSY, S REEL
766	3-085-330-01	SCREW, SPECIAL

Ref. No.	Part No.	Description
767	3-079-243-02	SPRING (PINCH RETURN), TORSION
768	X-3952-934-1	ARM ASSY, PINCH
769	3-052-062-02	NUT, TG7
770	3-079-219-02	TG7
771	3-081-591-01	SPRING, COMPRESSION (TG7)
772	X-3952-935-3	ARM ASSY, TG7
773	3-079-237-01	ADJUSTOR, BAND
774	A-7095-403-B	TG2 ARM BLOCK ASSY
D901	6-500-652-01	DIODE GL453SE0000F (TAPE LED)
H901	8-719-067-74	ELEMENT, HOLE HW-105A-CDE-T (S REEL)
H902	8-719-067-74	ELEMENT, HOLE HW-105A-CDE-T (T REEL)
MIC902	1-817-175-12	PIN. CONNECTOR (WITH DETECTION SWITCH)
Q901	6-550-672-01	TRANSISTOR PT4850FJE00F (TAPE END)
Q902	6-550-672-01	TRANSISTOR PT4850FJE00F (TAPE TOP)
S903	1-529-566-51	SWITCH, PUSH (1 KEY) (C.C.DOWN)

5. REPAIR PARTS LIST

5-1-16. MECHANICAL CHASSIS BLOCK ASSEMBLY

ns : not supplied



Ref. No.	Part No.	Description	Ref. No.	Part No.	Description
801	3-079-314-01	SPRING (EJ), EXTENSION	817	3-079-308-01	SHAFT, WORM
802	3-079-327-01	ARM, EJ	818	3-079-309-01	GEAR, DECELERATION
803	3-079-323-01	GEAR, CONVERSION	819	X-3952-942-2	ROLLER ASSY, TG3
804	3-079-324-01	ARM, GL DRIVING	820	3-079-325-01	RAIL, GUIDE
805	X-3952-928-1	GL (S) ASSY	821	3-079-295-02	SPRING, TG5
806	3-079-315-01	ROLLER (S1), LS GUIDE	822	1-677-049-11	FP-228 FLEXIBLE BOARD (DEW SENSOR)
807	X-3952-925-1	ARM ASSY, LS	823	3-079-328-01	SCREW (M1.4), SPECIAL HEAD
808	3-079-320-01	ROLLER, LS	824	3-079-326-02	SUPPORT, TG7
809	3-079-316-01	ROLLER (S2), LS GUIDE	825	3-079-301-01	SPRING (GLT), TORSION
810	3-079-319-01	GEAR, CAM	826	3-079-298-01	GEAR (T), GL
811	X-3954-274-2	SLIDER ASSY (N), M	827	1-686-798-11	FP-467 FLEXIBLE BOARD
812	3-079-321-02	SPRING (PINCH), EXTENSION	828	X-3952-927-2	COASTER (S) ASSY
813	X-3954-273-3	PLATE ASSY (N), TG2 CAM	829	X-3952-930-3	ROLLER ASSY, TG5
814	3-079-312-01	SHIELD, MOTOR	830	X-3952-929-1	COASTER (T) ASSY
815	3-079-307-02	HOLDER, MOTOR	M902	A-7095-396-A	MOTOR BLOCK ASSY, L (LOADING)
816	3-085-330-01	SCREW, SPECIAL	S902	1-477-679-11	ROTARY, ENCODER (MODE SWITCH)

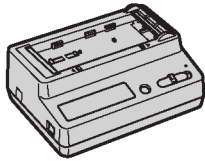
5. REPAIR PARTS LIST

• **EXCEPT J MODEL**

Checking supplied accessories.

to **J MODEL**

Make sure that the following accessories are supplied with your camcorder.



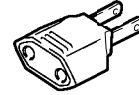
AC adaptor/charger (1)
 ▲ 1-418-821-32
 (US, CND, E (Z1N) model)
 AC adaptor/charger (1)
 ▲ 1-418-821-44
 (AEP, E (Z1P), CH model)



Large eyecup (1)
 2-179-414-01



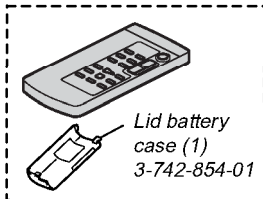
A/V connecting cable (1)
 1-824-097-11



2-pin conversion adaptor (1)
 (AEP model)
 1-569-008-21



Power cord (Main lead)(1)
 (US, CND, E (Z1N) model)
 ▲ 1-830-405-11
 Power cord (Main lead)(1)
 (AEP, E (Z1P) model)
 ▲* 1-824-910-11
 Power cord (Main lead)(1)
 (CH model)
 ▲ 1-782-476-13



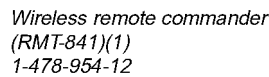
Lid battery case (1)
 3-742-854-01



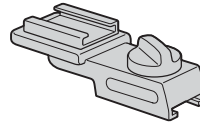
Component video cable (1)
 1-829-414-21



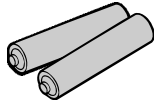
Rechargeable battery pack
 (NP-F570)(1)
 (not supplied)



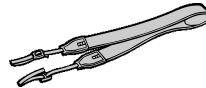
Wireless remote commander
 (RMT-841)(1)
 1-478-954-12



Shoe adaptor (1)
 X-2025-370-1

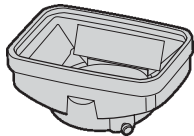


R6 (size AA) batteries
 for the Remote
 Commander (2)
 (not supplied)

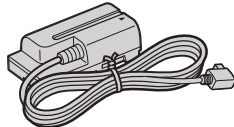


Shoulder strap (1)
 2-629-892-01

Cleaning cassette
 (DVM-4CLD J)(1)
 8-883-121-64



Lens hood (1)
 2-186-430-01



Connecting cord (DK-415) (1)
 1-782-361-14

• Abbreviation
 CND : Canadian model
 CH : Chinese model

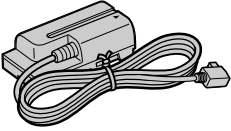
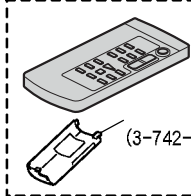
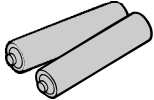
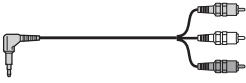
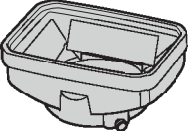

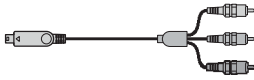
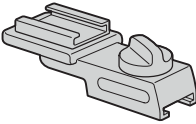
Other accessories

- 2-514-606-11 MANUAL, INSTRUCTION (ENGLISH)(Z1U/Z1N)
- 2-514-606-21 MANUAL, INSTRUCTION (FRENCH)(Z1U)
- 2-514-607-11 MANUAL, INSTRUCTION (ENGLISH)(Z1P/Z1E)
- 2-514-607-21 MANUAL, INSTRUCTION (FRENCH)(Z1E)
- 2-514-607-31 MANUAL, INSTRUCTION (SPANISH)(Z1E)
- 2-514-607-41 MANUAL, INSTRUCTION (ITALIAN)(Z1E)
- 2-514-607-51 MANUAL, INSTRUCTION (GERMAN)(Z1E)
- 2-514-607-61 MANUAL, INSTRUCTION (SIMPLIFIED CHINESE)(Z1C)

<p>Note : The components identified by mark ▲ or dotted line with mark ▲ are critical for safety. Replace only with part number specified.</p>	<p>Note : Les composants identifiés par une marque ▲ sont critiques pour la sécurité. Ne les remplacer que par une pièce portant le numéro spécifié.</p>
--	--

5. REPAIR PARTS LIST

• J MODEL

 <p>(DK-415) (1) 1-782-361-14</p>	<div style="border: 1px dashed black; padding: 5px; display: inline-block;">  <p>(3-742-854-01)</p> </div> <p>(1)</p> <p>(RMT-841) 1-478-954-12</p>  <p>() () (1)</p>	 <p>AV (1) 1-824-097-11</p>
 <p>(1)</p> <p>2-186-430-01</p>	 <p>(1)</p> <p>2-179-414-01</p>	 <p>(1)</p> <p>1-829-414-21</p>
<hr style="width: 100%;"/> <p>2-514-606-01</p>	 <p>(1)</p> <p>X-2025-370-1</p> <p>(DVM-4CLD J)(1) 8-883-121-64</p>	

5-2. ELECTRICAL PARTS LIST

Ref. No.	Part No.	Description
	A-1073-864-A	CK-143 BOARD, COMPLETE ***** (Ref.No.:70,000 Serie)se)
		< CONNECTOR >
CN201	1-779-334-11	CONNECTOR, FFC/FPC 20P
* CN202	1-784-419-51	CONNECTOR, FFC/FPC (ZIF) 15P
CN203	1-779-327-11	CONNECTOR, FFC/FPC 6P
CN204	1-779-327-11	CONNECTOR, FFC/FPC 6P
CN207	1-779-327-11	CONNECTOR, FFC/FPC 6P
* CN208	1-794-053-51	CONNECTOR, FFC/FPC 32P
		< TRANSISTOR >
Q201	8-729-037-72	TRANSISTOR UN9211J-(TX).SO
Q202	8-729-037-72	TRANSISTOR UN9211J-(TX).SO
Q203	8-729-037-72	TRANSISTOR UN9211J-(TX).SO
Q204	8-729-037-72	TRANSISTOR UN9211J-(TX).SO
Q205	8-729-037-72	TRANSISTOR UN9211J-(TX).SO
		< RESISTOR >
R201	1-218-970-11	RES-CHIP 27K 5% 1/16W
R202	1-218-970-11	RES-CHIP 27K 5% 1/16W
R203	1-218-970-11	RES-CHIP 27K 5% 1/16W
R204	1-218-964-11	RES-CHIP 8.2K 5% 1/16W
R205	1-218-964-11	RES-CHIP 8.2K 5% 1/16W
R206	1-218-964-11	RES-CHIP 8.2K 5% 1/16W
R207	1-218-960-11	RES-CHIP 3.9K 5% 1/16W
R208	1-218-960-11	RES-CHIP 3.9K 5% 1/16W
R209	1-218-960-11	RES-CHIP 3.9K 5% 1/16W
R210	1-216-821-11	METAL CHIP 1K 5% 1/10W
R211	1-216-813-11	METAL CHIP 220 5% 1/10W
R212	1-218-957-11	RES-CHIP 2.2K 5% 1/16W
R213	1-218-957-11	RES-CHIP 2.2K 5% 1/16W
R214	1-218-957-11	RES-CHIP 2.2K 5% 1/16W
R215	1-218-955-11	RES-CHIP 1.5K 5% 1/16W
R216	1-218-955-11	RES-CHIP 1.5K 5% 1/16W
R217	1-218-955-11	RES-CHIP 1.5K 5% 1/16W
R218	1-218-954-11	RES-CHIP 1.2K 5% 1/16W
R219	1-218-954-11	RES-CHIP 1.2K 5% 1/16W
R220	1-218-954-11	RES-CHIP 1.2K 5% 1/16W
R221	1-216-821-11	METAL CHIP 1K 5% 1/10W
R222	1-216-813-11	METAL CHIP 220 5% 1/10W
R225	1-216-813-11	METAL CHIP 220 5% 1/10W
R226	1-218-929-11	RES-CHIP 10 5% 1/16W
R227	1-218-929-11	RES-CHIP 10 5% 1/16W
R228	1-218-990-11	SHORT CHIP 0
R229	1-218-990-11	SHORT CHIP 0
R230	1-218-990-11	SHORT CHIP 0
R231	1-218-990-11	SHORT CHIP 0
R232	1-218-990-11	SHORT CHIP 0
		< SWITCH >
S201	1-786-157-31	TACTILE SWITCH (ASSIGN 1)
S202	1-786-157-31	TACTILE SWITCH (ASSIGN 1)
S203	1-786-157-31	TACTILE SWITCH (ASSIGN 1)
S204	1-786-157-11	SWITCH, TACTILE (WHT BAL)
S205	1-786-157-11	SWITCH, TACTILE (AUTO)

Ref. No.	Part No.	Description
S206	1-771-487-21	SWITCH, SLIDE (FOCUS)
		< VARISTOR >
VDR202	1-801-862-11	VARISTOR, CHIP (1608)
VDR203	1-801-862-11	VARISTOR, CHIP (1608)
VDR204	1-801-862-11	VARISTOR, CHIP (1608)
VDR206	1-801-862-11	VARISTOR, CHIP (1608)
VDR207	1-801-862-11	VARISTOR, CHIP (1608)
VDR208	1-801-862-11	VARISTOR, CHIP (1608)
VDR209	1-801-862-11	VARISTOR, CHIP (1608)
VDR211	1-801-862-11	VARISTOR, CHIP (1608)
VDR212	1-801-862-11	VARISTOR, CHIP (1608)
VDR213	1-801-862-11	VARISTOR, CHIP (1608)
VDR214	1-801-862-11	VARISTOR, CHIP (1608)
	A-1073-865-A	FK-090 BOARD, COMPLETE ***** (Ref.No.:70,000 Serie)se)
		< CONNECTOR >
CN004	1-779-329-11	CONNECTOR, FFC/FPC 10P
		< DIODE >
D002	6-500-289-01	DIODE MAZW082H0LS0
D004	6-500-289-01	DIODE MAZW082H0LS0
D005	6-500-289-01	DIODE MAZW082H0LS0
		< RESISTOR >
R001	1-218-990-11	SHORT CHIP 0
R002	1-218-954-11	RES-CHIP 1.2K 5% 1/16W
R003	1-218-954-11	RES-CHIP 1.2K 5% 1/16W
R004	1-218-955-11	RES-CHIP 1.5K 5% 1/16W
R005	1-218-955-11	RES-CHIP 1.5K 5% 1/16W
R006	1-218-957-11	RES-CHIP 2.2K 5% 1/16W
R007	1-218-957-11	RES-CHIP 2.2K 5% 1/16W
R008	1-218-960-11	RES-CHIP 3.9K 5% 1/16W
R009	1-218-960-11	RES-CHIP 3.9K 5% 1/16W
R010	1-218-960-11	RES-CHIP 3.9K 5% 1/16W
R011	1-218-964-11	RES-CHIP 8.2K 5% 1/16W
R012	1-218-964-11	RES-CHIP 8.2K 5% 1/16W
R013	1-218-964-11	RES-CHIP 8.2K 5% 1/16W
R014	1-218-970-11	RES-CHIP 27K 5% 1/16W
R015	1-218-970-11	RES-CHIP 27K 5% 1/16W
R016	1-218-970-11	RES-CHIP 27K 5% 1/16W
R017	1-216-825-11	METAL CHIP 2.2K 5% 1/10W
R018	1-216-864-11	SHORT CHIP 0
R019	1-218-954-11	RES-CHIP 1.2K 5% 1/16W
R020	1-218-955-11	RES-CHIP 1.5K 5% 1/16W
R021	1-218-990-11	SHORT CHIP 0
		< SWITCH >
S001	1-786-157-11	SWITCH, TACTILE (ZERO SET MEMORY)
S002	1-786-157-11	SWITCH, TACTILE (DISPLAY/BAT INFO)
S003	1-786-157-11	SWITCH, TACTILE (PAUSE)
S004	1-786-157-11	SWITCH, TACTILE (FF)
S005	1-786-157-11	SWITCH, TACTILE (REC)

FK-090

FP-959

FP-964

FP-967

FP-971

FP-975

FP-976

FP-977

FP-978

Ref. No.	Part No.	Description
S007	1-786-157-11	SWITCH, TACTILE (PLAY)
S009	1-786-157-11	SWITCH, TACTILE (STOP)
S010	1-786-157-11	SWITCH, TACTILE (VOLUME +)
S011	1-786-157-11	SWITCH, TACTILE (VOLUME -)
S012	1-786-157-11	SWITCH, TACTILE (SLOW)
S013	1-786-157-11	SWITCH, TACTILE (LCD BRIGHT -)
S014	1-786-157-11	SWITCH, TACTILE (LCD BRIGHT +)
S015	1-786-157-11	SWITCH, TACTILE (BARS)
S016	1-786-157-11	SWITCH, TACTILE (END SEARCH)
S018	1-786-157-11	SWITCH, TACTILE (REC)
S019	1-771-731-21	SWITCH, SLIDE (LCD BACK LIGHT)
S020	1-786-157-11	SWITCH, TACTILE (RESET)
S021	1-786-157-11	SWITCH, TACTILE (REW)
S022	1-786-157-11	SWITCH, TACTILE (DATA CODE)
A-1074-707-A FP-959 FLEXIBLE BOARD, COMPLETE ***** (Ref.No.:70,000 Serie)		
< BATTERY >		
△ BT591	1-756-128-11	BATTERY, LITHIUM (SECONDARY)
A-1073-874-A FP-964 BOARD, COMPLETE ***** (Ref.No.:70,000 Serie)		
< CONNECTOR >		
CN641	1-794-276-11	CONNECTOR, SQUARE TYPE 4P
< DIODE >		
D641	6-500-916-01	DIODE CL-270HB1-D-TS
D642	6-500-916-01	DIODE CL-270HB1-D-TS
< LINE FILTER >		
LF641	1-400-476-11	COMMON MODE CHOKE COIL (2008)
< RESISTOR >		
R641	1-216-296-11	SHORT CHIP 0
R642	1-216-864-11	SHORT CHIP 0
A-1073-875-A FP-967 BOARD, COMPLETE ***** (Ref.No.:70,000 Serie)		
< CAPACITOR >		
C670	1-107-826-11	CERAMIC CHIP 0.1uF 10% 16V
C671	1-107-826-11	CERAMIC CHIP 0.1uF 10% 16V

Ref. No.	Part No.	Description
< IC >		
IC670	6-705-011-01	IC AN48830B-NL
IC671	6-705-011-01	IC AN48830B-NL
< RESISTOR >		
R001	1-216-296-11	SHORT CHIP 0
A-1074-708-A FP-971 BOARD, COMPLETE ***** (Ref.No.:70,000 Serie)		
< CONNECTOR >		
CN710	1-784-680-11	CONNECTOR, BOARD TO BOARD 100P
CN711	1-785-967-21	CONNECTOR, BOARD TO BOARD 100P
A-1074-709-A FP-975 BOARD, COMPLETE ***** (Ref.No.:70,000 Serie)		
< CONNECTOR >		
CN752	1-816-924-11	CONNECTOR BOARD TO BOARD 40P
A-1074-710-A FP-976 BOARD, COMPLETE ***** (Ref.No.:70,000 Serie)		
< CONNECTOR >		
CN760	1-779-521-11	CONNECTOR, BOARD TO BOARD 80P
CN761	1-779-520-11	CONNECTOR, BOARD TO BOARD 80P
A-1074-711-A FP-977 BOARD, COMPLETE ***** (Ref.No.:70,000 Serie)		
< CONNECTOR >		
CN770	1-785-967-21	CONNECTOR, BOARD TO BOARD 100P
CN771	1-784-680-11	CONNECTOR, BOARD TO BOARD 100P
A-1074-712-A FP-978 BOARD, COMPLETE ***** (Ref.No.:70,000 Serie)		
< CONNECTOR >		
CN781	1-766-386-14	CONNECTOR, 3P-XLR TYPE (FEMALE)
CN782	1-766-386-14	CONNECTOR, 3P-XLR TYPE (FEMALE)
CN783	not supplied	Including the FP-978 BOARD, COMPLETE

CAUTION :
 Danger of explosion if battery is incorrectly replaced.
 Replace only with the same or equivalent type.

The components identified by mark **△** or dotted line with mark **△** are critical for safety.
 Replace only with part number specified.

Les composants identifiés par une marque **△** sont critiques pour la sécurité.
 Ne les remplacer que par une pièce portant le numéro spécifié.

△ **△**

FP-980

FP-981

IF-122

JK-275

Ref. No.	Part No.	Description
	A-1073-876-A	FP-980 BOARD, COMPLETE ***** (Ref.No.:70,000 Serie)se)
		< CAPACITOR >
C800	1-127-760-11	CERAMIC CHIP 4.7uF 10% 6.3V
C801	1-127-760-11	CERAMIC CHIP 4.7uF 10% 6.3V
C802	1-107-826-11	CERAMIC CHIP 0.1uF 10% 16V
		< CONNECTOR >
CN800	1-784-422-11	CONNECTOR, FFC/FPC (ZIF) 33P
CN801	1-766-336-21	FFC/CONNECTOR, FPC (LIF (NON-ZIF)) 6P
CN802	1-816-926-11	CONNECTOR, BOARD TO BOARD 40P
		< DIODE >
D801	8-719-064-07	DIODE SML-310LTT86
D802	8-719-056-85	DIODE UDZ-TE-17-8.2B
D803	8-719-062-16	DIODE 01ZA8.2 (TPL3)
		< IC >
IC800	8-742-221-00	HYB IC SBX3055-01
IC801	6-706-498-01	IC TC7SH08F (T5RSONYJF)
		< RESISTOR >
R800	1-216-805-11	METAL CHIP 47 5% 1/10W
R801	1-216-813-11	METAL CHIP 220 5% 1/10W
R802	1-218-867-11	METAL CHIP 6.8K 0.5% 1/10W
R803	1-218-867-11	METAL CHIP 6.8K 0.5% 1/10W
R804	1-216-817-11	METAL CHIP 470 5% 1/10W
R805	1-216-817-11	METAL CHIP 470 5% 1/10W
R806	1-216-797-11	METAL CHIP 10 5% 1/10W
R807	1-216-797-11	METAL CHIP 10 5% 1/10W
R809	1-216-809-11	METAL CHIP 100 5% 1/10W
		< SWITCH >
S800	1-771-487-21	SWITCH, SLIDE (ZOOM SPEED SELECT)
	A-1074-713-A	FP-981 BOARD, COMPLETE ***** (Ref.No.:70,000 Serie)se)
		< CONNECTOR >
CN811	1-816-926-11	CONNECTOR, BOARD TO BOARD 40P
	A-1073-871-A	IF-122 BOARD, COMPLETE ***** (Ref.No.:70,000 Serie)se)
		< CONNECTOR >
CN301	1-779-327-11	CONNECTOR, FFC/FPC 6P
* CN303	1-764-519-11	CONNECTOR, FFC/FPC (ZIF) 10P
CN304	1-794-057-21	PIN, CONNECTOR (PC BOARD) 2P
CN305	1-816-924-11	CONNECTOR BOARD TO BOARD 40P
CN306	1-817-869-11	PIN, CONNECTOR 10P
CN307	1-818-210-21	PIN, CONNECTOR 2P
CN308	1-817-870-11	PIN, CONNECTOR 12P
* CN309	1-573-919-11	CONNECTOR, FFC/FPC (ZIF) 10P

Ref. No.	Part No.	Description
		< TRANSISTOR >
Q301	6-550-119-01	TRANSISTOR DTC144EMT2L
Q302	6-550-119-01	TRANSISTOR DTC144EMT2L
Q303	6-550-119-01	TRANSISTOR DTC144EMT2L
Q305	6-550-239-01	TRANSISTOR DTA144EMT2L
Q306	6-550-239-01	TRANSISTOR DTA144EMT2L
		< VARISTOR >
VDR301	1-801-862-11	VARISTOR, CHIP (1608)
	A-1092-654-A	JK-275 BOARD, COMPLETE ***** (Ref.No.:70,000 Serie)se)
		< CONNECTOR >
CN101	1-818-607-12	CONNECTOR, SQUARE TYPE 10P (COMPONENT OUTPUT)
		< DIODE >
D101	8-719-056-85	DIODE UDZ-TE-17-8.2B
D102	8-719-056-85	DIODE UDZ-TE-17-8.2B
D103	8-719-056-85	DIODE UDZ-TE-17-8.2B
D104	8-719-056-85	DIODE UDZ-TE-17-8.2B
D105	8-719-056-85	DIODE UDZ-TE-17-8.2B
D106	8-719-056-85	DIODE UDZ-TE-17-8.2B
D108	6-500-750-01	DIODE NSAD500H-T1-A
		< JACK >
J102	1-778-518-11	CONNECTOR, EXTERNAL (S1 VIDEO)
J103	1-778-040-11	JACK, SMALL TYPE (AUDIO/VIDEO)
		< RESISTOR >
R108	1-218-990-11	SHORT CHIP 0
R109	1-218-990-11	SHORT CHIP 0
R110	1-218-990-11	SHORT CHIP 0
R111	1-218-990-11	SHORT CHIP 0
R112	1-218-990-11	SHORT CHIP 0
R113	1-218-990-11	SHORT CHIP 0
R114	1-218-990-11	SHORT CHIP 0
R115	1-218-990-11	SHORT CHIP 0
R116	1-218-990-11	SHORT CHIP 0
R117	1-218-990-11	SHORT CHIP 0
R118	1-218-990-11	SHORT CHIP 0
R119	1-218-990-11	SHORT CHIP 0
R120	1-218-990-11	SHORT CHIP 0
R125	1-218-990-11	SHORT CHIP 0
		< VARISTOR >
VDR101	1-803-974-21	VARISTOR, CHIP (1608)
VDR102	1-803-974-21	VARISTOR, CHIP (1608)
VDR103	1-803-974-21	VARISTOR, CHIP (1608)
VDR105	1-803-974-21	VARISTOR, CHIP (1608)
VDR106	1-803-974-21	VARISTOR, CHIP (1608)

Ref. No.	Part No.	Description			
	A-1073-866-A	LB-106 BOARD, COMPLETE ***** (Ref.No.:70,000 Serie)			
		< CAPACITOR >			
C501	1-104-851-11	TANTAL. CHIP	10uF	20%	10V
C502	1-125-777-11	CERAMIC CHIP	0.1uF	10%	10V
C503	1-164-505-11	CERAMIC CHIP	2.2uF		16V
		< CONNECTOR >			
* CN501	1-784-422-51	CONNECTOR, FFC/FPC (ZIF) 33P			
CN502	1-691-356-51	CONNECTOR, FFC/FPC (ZIF) 18P			
		< DIODE >			
D501	6-501-154-01	DIODE NSCW455AT-TY5 (BACK LIGHT)			
		< IC >			
IC501	8-759-581-11	IC NJM2125F (TE2)			
		< COIL >			
L501	1-414-771-91	INDUCTOR	10uH		
		< TRANSISTOR >			
Q501	8-729-054-48	TRANSISTOR	UP04601008SO		
Q502	8-729-054-48	TRANSISTOR	UP04601008SO		
		< RESISTOR >			
R501	1-208-935-11	METAL CHIP	100K	0.5%	1/16W
R502	1-208-927-11	METAL CHIP	47K	0.5%	1/16W
R503	1-216-864-11	SHORT CHIP	0		
R504	1-218-956-11	RES-CHIP	1.8K	5%	1/16W
R505	1-216-839-11	METAL CHIP	33K	5%	1/10W
R506	1-211-983-11	METAL CHIP	39	0.5%	1/10W
	A-1073-872-A	MA-431 BOARD, COMPLETE ***** (Ref.No.:50,000 Serie)			
		< CAPACITOR >			
C101	1-164-935-11	CERAMIC CHIP	470PF	10%	50V
C102	1-164-935-11	CERAMIC CHIP	470PF	10%	50V
C103	1-164-935-11	CERAMIC CHIP	470PF	10%	50V
C104	1-164-935-11	CERAMIC CHIP	470PF	10%	50V
C105	1-137-710-11	CERAMIC CHIP	10uF	20%	6.3V
C106	1-137-710-11	CERAMIC CHIP	10uF	20%	6.3V
C107	1-137-710-11	CERAMIC CHIP	10uF	20%	6.3V
C108	1-137-710-11	CERAMIC CHIP	10uF	20%	6.3V
C109	1-127-760-11	CERAMIC CHIP	4.7uF	10%	6.3V
C110	1-127-760-11	CERAMIC CHIP	4.7uF	10%	6.3V
C111	1-165-887-91	CERAMIC CHIP	0.22uF	10%	6.3V
C112	1-165-887-91	CERAMIC CHIP	0.22uF	10%	6.3V
C113	1-164-935-11	CERAMIC CHIP	470PF	10%	50V
C114	1-164-935-11	CERAMIC CHIP	470PF	10%	50V
C115	1-165-887-91	CERAMIC CHIP	0.22uF	10%	6.3V

Ref. No.	Part No.	Description			
C116	1-165-887-91	CERAMIC CHIP	0.22uF	10%	6.3V
C117	1-164-935-11	CERAMIC CHIP	470PF	10%	50V
C118	1-164-935-11	CERAMIC CHIP	470PF	10%	50V
C119	1-164-935-11	CERAMIC CHIP	470PF	10%	50V
C120	1-164-935-11	CERAMIC CHIP	470PF	10%	50V
C121	1-165-875-11	CERAMIC CHIP	10uF	10%	10V
C122	1-165-875-11	CERAMIC CHIP	10uF	10%	10V
C123	1-137-710-11	CERAMIC CHIP	10uF	20%	6.3V
C124	1-137-710-11	CERAMIC CHIP	10uF	20%	6.3V
C125	1-165-875-11	CERAMIC CHIP	10uF	10%	10V
C126	1-100-660-91	CERAMIC CHIP	1uF	10%	10V
C127	1-125-777-11	CERAMIC CHIP	0.1uF	10%	10V
		< CONNECTOR >			
CN101	1-794-376-21	PIN, CONNECTOR 4P			
CN102	1-794-376-21	PIN, CONNECTOR 4P			
		< DIODE >			
D101	8-719-422-64	DIODE MA8062-M			
D102	8-719-064-07	DIODE SML-310LTT86			
		< FERRITE BEAD >			
FB101	1-500-444-11	FERRITE, EMI (SMD) (1608)			
FB102	1-500-444-11	FERRITE, EMI (SMD) (1608)			
FB103	1-500-444-11	FERRITE, EMI (SMD) (1608)			
FB104	1-500-444-11	FERRITE, EMI (SMD) (1608)			
FB105	1-500-444-11	FERRITE, EMI (SMD) (1608)			
FB106	1-500-444-11	FERRITE, EMI (SMD) (1608)			
		< IC >			
IC101	8-742-430-00	HYB IC SBX3055-09 (REMOTE SENSOR)			
IC102	6-706-498-01	IC TC7SH08F (T5RSONYJF)			
		< TRANSISTOR >			
Q101	8-729-037-52	TRANSISTOR	2SD2216J-QR (TX).SO		
Q102	8-729-037-52	TRANSISTOR	2SD2216J-QR (TX).SO		
Q103	8-729-037-72	TRANSISTOR	UN9211J-(TX).SO		
Q104	8-729-042-26	TRANSISTOR	2SB1462J-QR (K8).SO		
Q105	8-729-042-26	TRANSISTOR	2SB1462J-QR (K8).SO		
Q106	8-729-042-26	TRANSISTOR	2SB1462J-QR (K8).SO		
Q107	8-729-042-26	TRANSISTOR	2SB1462J-QR (K8).SO		
Q108	8-729-037-52	TRANSISTOR	2SD2216J-QR (TX).SO		
Q109	8-729-037-52	TRANSISTOR	2SD2216J-QR (TX).SO		
Q110	8-729-037-52	TRANSISTOR	2SD2216J-QR (TX).SO		
Q111	8-729-037-52	TRANSISTOR	2SD2216J-QR (TX).SO		
		< RESISTOR >			
R101	1-218-957-11	RES-CHIP	2.2K	5%	1/16W
R102	1-218-957-11	RES-CHIP	2.2K	5%	1/16W
R103	1-218-957-11	RES-CHIP	2.2K	5%	1/16W
R104	1-218-957-11	RES-CHIP	2.2K	5%	1/16W
R105	1-218-979-11	RES-CHIP	150K	5%	1/16W
R106	1-218-983-11	RES-CHIP	330K	5%	1/16W
R107	1-218-979-11	RES-CHIP	150K	5%	1/16W
R108	1-218-983-11	RES-CHIP	330K	5%	1/16W
R109	1-218-937-11	RES-CHIP	47	5%	1/16W
R110	1-218-945-11	RES-CHIP	220	5%	1/16W

Ref. No.	Part No.	Description			
R111	1-218-983-11	RES-CHIP	330K	5%	1/16W
R112	1-218-983-11	RES-CHIP	330K	5%	1/16W
R113	1-218-951-11	RES-CHIP	680	5%	1/16W
R115	1-218-951-11	RES-CHIP	680	5%	1/16W
R117	1-218-983-11	RES-CHIP	330K	5%	1/16W
R118	1-218-983-11	RES-CHIP	330K	5%	1/16W
R119	1-218-951-11	RES-CHIP	680	5%	1/16W
R121	1-218-957-11	RES-CHIP	2.2K	5%	1/16W
R122	1-218-951-11	RES-CHIP	680	5%	1/16W
R124	1-218-957-11	RES-CHIP	2.2K	5%	1/16W
R125	1-218-965-11	RES-CHIP	10K	5%	1/16W
R126	1-218-965-11	RES-CHIP	10K	5%	1/16W
R127	1-218-965-11	RES-CHIP	10K	5%	1/16W
R128	1-218-965-11	RES-CHIP	10K	5%	1/16W
R129	1-218-965-11	RES-CHIP	10K	5%	1/16W
R130	1-218-966-11	RES-CHIP	12K	5%	1/16W
R131	1-218-966-11	RES-CHIP	12K	5%	1/16W
R132	1-218-941-81	RES-CHIP	100	5%	1/16W
R133	1-218-941-81	RES-CHIP	100	5%	1/16W
R134	1-218-929-11	RES-CHIP	10	5%	1/16W
R135	1-218-929-11	RES-CHIP	10	5%	1/16W
R136	1-218-957-11	RES-CHIP	2.2K	5%	1/16W
R137	1-218-957-11	RES-CHIP	2.2K	5%	1/16W
< TEST PIN >					
TP101	1-535-757-11	CHIP, CHECKER			
A-1081-906-A MK-017 BOARD, COMPLETE ***** (Ref.No.:60,000 Serie)					
< CAPACITOR >					
C101	1-125-837-91	CERAMIC CHIP	1uF	10%	6.3V
< CONNECTOR >					
CN101	1-779-327-11	CONNECTOR, FFC/FPC 6P			
CN102	1-779-327-11	CONNECTOR, FFC/FPC 6P			
CN103	1-779-331-11	CONNECTOR, FFC/FPC 14P			
< COIL >					
L101	1-469-549-21	INDUCTOR	1uH		
< RESISTOR >					
R101	1-216-864-11	SHORT CHIP	0		
R102	1-216-864-11	SHORT CHIP	0		
R103	1-218-970-11	RES-CHIP	27K	5%	1/16W
R104	1-218-964-11	RES-CHIP	8.2K	5%	1/16W
R105	1-218-960-11	RES-CHIP	3.9K	5%	1/16W
R106	1-218-957-11	RES-CHIP	2.2K	5%	1/16W
R107	1-218-955-11	RES-CHIP	1.5K	5%	1/16W
R108	1-218-954-11	RES-CHIP	1.2K	5%	1/16W
R109	1-216-864-11	SHORT CHIP	0		
< SWITCH >					
S102	1-771-138-82	SWITCH, KEY BOARD (STATUS CHECK)			
S103	1-771-731-21	SWITCH, SLIDE (MANUAL REC CH2)			
S104	1-771-731-21	SWITCH, SLIDE (MANUAL REC CH1)			
S105	1-771-487-21	SWITCH, SLIDE (ZEBRA/OFF/PEAKING)			
S107	1-771-138-82	SWITCH, KEY BOARD (PICTURE PROFILE)			

Ref. No.	Part No.	Description			
S108	1-771-138-82	SWITCH, KEY BOARD (MENU)			
S109	1-771-138-82	SWITCH, KEY BOARD (P-MENU)			
< VARISTOR >					
VDR101	1-801-862-11	VARISTOR, CHIP		(1608)	
VDR102	1-801-862-11	VARISTOR, CHIP		(1608)	
VDR103	1-801-862-11	VARISTOR, CHIP		(1608)	
VDR104	1-801-862-11	VARISTOR, CHIP		(1608)	
VDR105	1-801-862-11	VARISTOR, CHIP		(1608)	
VDR106	1-801-862-11	VARISTOR, CHIP		(1608)	
VDR107	1-801-862-11	VARISTOR, CHIP		(1608)	
VDR108	1-801-862-11	VARISTOR, CHIP		(1608)	
VDR109	1-801-862-11	VARISTOR, CHIP		(1608)	
VDR110	1-801-862-11	VARISTOR, CHIP		(1608)	
VDR111	1-801-862-11	VARISTOR, CHIP		(1608)	
A-1097-501-A MR-048 BOARD, COMPLETE ***** (Ref.No.:70,000 Serie)					
< CAPACITOR >					
C0101	1-164-943-11	CERAMIC CHIP	0.01uF	10%	16V
C0102	1-117-919-11	TANTAL. CHIP	10uF	20%	6.3V
C0103	1-104-851-11	TANTAL. CHIP	10uF	20%	10V
C0104	1-164-943-11	CERAMIC CHIP	0.01uF	10%	16V
C0105	1-125-891-11	CERAMIC CHIP	0.47uF	10%	10V
C0106	1-107-726-91	CERAMIC CHIP	0.01uF	10%	16V
C0107	1-125-891-11	CERAMIC CHIP	0.47uF	10%	10V
C0108	1-164-943-11	CERAMIC CHIP	0.01uF	10%	16V
C0109	1-164-943-11	CERAMIC CHIP	0.01uF	10%	16V
C0110	1-125-777-11	CERAMIC CHIP	0.1uF	10%	10V
C0111	1-125-777-11	CERAMIC CHIP	0.1uF	10%	10V
C0112	1-164-943-11	CERAMIC CHIP	0.01uF	10%	16V
C0113	1-164-943-11	CERAMIC CHIP	0.01uF	10%	16V
C0114	1-107-726-91	CERAMIC CHIP	0.01uF	10%	16V
C0201	1-125-777-11	CERAMIC CHIP	0.1uF	10%	10V
C0202	1-164-858-11	CERAMIC CHIP	22PF	5%	50V
C0203	1-162-964-11	CERAMIC CHIP	0.001uF	10%	50V
C0204	1-162-964-11	CERAMIC CHIP	0.001uF	10%	50V
C0205	1-109-982-11	CERAMIC CHIP	1uF	10%	10V
C0206	1-107-826-11	CERAMIC CHIP	0.1uF	10%	16V
C0207	1-165-176-11	CERAMIC CHIP	0.047uF	10%	16V
C0208	1-165-176-11	CERAMIC CHIP	0.047uF	10%	16V
C0209	1-107-726-91	CERAMIC CHIP	0.01uF	10%	16V
C0210	1-107-726-91	CERAMIC CHIP	0.01uF	10%	16V
C0211	1-107-726-91	CERAMIC CHIP	0.01uF	10%	16V
C0212	1-107-826-11	CERAMIC CHIP	0.1uF	10%	16V
C0214	1-107-826-11	CERAMIC CHIP	0.1uF	10%	16V
C0216	1-107-826-11	CERAMIC CHIP	0.1uF	10%	16V
C0219	1-107-826-11	CERAMIC CHIP	0.1uF	10%	16V
C0222	1-107-826-11	CERAMIC CHIP	0.1uF	10%	16V
C0223	1-165-908-11	CERAMIC CHIP	1uF	10%	10V
C0224	1-107-826-11	CERAMIC CHIP	0.1uF	10%	16V
C0225	1-107-726-91	CERAMIC CHIP	0.01uF	10%	16V
C0227	1-125-837-91	CERAMIC CHIP	1uF	10%	6.3V
C0228	1-164-227-11	CERAMIC CHIP	0.022uF	10%	25V

Ref. No.	Part No.	Description			
C0229	1-165-176-11	CERAMIC CHIP	0.047uF	10%	16V
C0230	1-107-826-11	CERAMIC CHIP	0.1uF	10%	16V
C0231	1-107-826-11	CERAMIC CHIP	0.1uF	10%	16V
C0233	1-107-826-11	CERAMIC CHIP	0.1uF	10%	16V
C0234	1-162-962-11	CERAMIC CHIP	470PF	10%	50V
C0235	1-162-962-11	CERAMIC CHIP	470PF	10%	50V
C0236	1-125-837-91	CERAMIC CHIP	1uF	10%	6.3V
C0237	1-162-962-11	CERAMIC CHIP	470PF	10%	50V
C0238	1-107-826-11	CERAMIC CHIP	0.1uF	10%	16V
C0240	1-162-962-11	CERAMIC CHIP	470PF	10%	50V
C0241	1-107-826-11	CERAMIC CHIP	0.1uF	10%	16V
C0242	1-162-969-11	CERAMIC CHIP	0.0068uF	10%	25V
C0243	1-162-969-11	CERAMIC CHIP	0.0068uF	10%	25V
< CONNECTOR >					
CN0101	1-779-338-11	CONNECTOR, FFC/FPC 28P			
* CN102	1-766-352-51	CONNECTOR, FFC/FPC 22P			
CN103	1-779-339-51	CONNECTOR, FFC/FPC 30P			
* CN104	1-817-705-51	CONNECTOR, FPC (LIF (NON-ZIF)) 10P			
* CN201	1-817-705-51	CONNECTOR, FPC (LIF (NON-ZIF)) 10P			
CN202	1-784-421-11	CONNECTOR, FFC/FPC (ZIF) 27P			
CN203	1-784-421-11	CONNECTOR, FFC/FPC (ZIF) 27P			
< IC >					
IC0101	8-752-106-95	IC CXA3619R-T4			
IC201	6-705-676-01	IC TB6550FG (O, EB)			
< COIL >					
L0101	1-469-525-91	INDUCTOR	10uH		
L0102	1-469-525-91	INDUCTOR	10uH		
L0201	1-469-570-11	INDUCTOR	10uH		
L0202	1-414-771-91	INDUCTOR	10uH		
< TRANSISTOR >					
Q0201	6-550-174-01	TRANSISTOR	2SA2030T2L		
Q0202	6-550-237-01	TRANSISTOR	2SC5658T2LQ/R		
< RESISTOR >					
R0101	1-218-965-11	RES-CHIP	10K	5%	1/16W
R0102	1-218-969-11	RES-CHIP	22K	5%	1/16W
R0105	1-218-965-11	RES-CHIP	10K	5%	1/16W
R0106	1-218-965-11	RES-CHIP	10K	5%	1/16W
R0107	1-208-715-11	METAL CHIP	22K	0.5%	1/16W
R0108	1-208-910-11	METAL CHIP	9.1K	0.5%	1/16W
R0109	1-208-910-11	METAL CHIP	9.1K	0.5%	1/16W
R0110	1-208-715-11	METAL CHIP	22K	0.5%	1/16W
R0111	1-218-945-11	RES-CHIP	220	5%	1/16W
R0112	1-218-945-11	RES-CHIP	220	5%	1/16W
R0113	1-218-945-11	RES-CHIP	220	5%	1/16W
R0114	1-218-945-11	RES-CHIP	220	5%	1/16W
R0115	1-218-990-11	SHORT CHIP	0		
R116	1-218-938-11	RES-CHIP	56	5%	1/16W
R0117	1-218-990-11	SHORT CHIP	0		
R0118	1-218-990-11	SHORT CHIP	0		
R0201	1-218-935-11	RES-CHIP	33	5%	1/16W
R0202	1-218-935-11	RES-CHIP	33	5%	1/16W
R0203	1-218-953-11	RES-CHIP	1K	5%	1/16W
R0205	1-216-864-11	SHORT CHIP	0		

Ref. No.	Part No.	Description			
R0206	1-216-864-11	SHORT CHIP	0		
R0207	1-216-864-11	SHORT CHIP	0		
R0208	1-216-833-11	METAL CHIP	10K	5%	1/10W
R0209	1-216-833-11	METAL CHIP	10K	5%	1/10W
R0210	1-216-864-11	SHORT CHIP	0		
R0211	1-216-789-11	METAL CHIP	2.2	5%	1/10W
R0212	1-216-789-11	METAL CHIP	2.2	5%	1/10W
R0213	1-216-789-11	METAL CHIP	2.2	5%	1/10W
R0214	1-216-864-11	SHORT CHIP	0		
R0215	1-216-841-11	METAL CHIP	47K	5%	1/10W
R0217	1-216-864-11	SHORT CHIP	0		
R0218	1-216-864-11	SHORT CHIP	0		
R0219	1-216-864-11	SHORT CHIP	0		
R0220	1-216-814-11	METAL CHIP	270	5%	1/10W
R0222	1-216-864-11	SHORT CHIP	0		
R0224	1-216-864-11	SHORT CHIP	0		
R0226	1-216-864-11	SHORT CHIP	0		
R0228	1-216-835-11	METAL CHIP	15K	5%	1/10W
R0229	1-216-833-11	METAL CHIP	10K	5%	1/10W
R0230	1-216-803-11	METAL CHIP	33	5%	1/10W
R0231	1-216-864-11	SHORT CHIP	0		
R0232	1-216-845-11	METAL CHIP	100K	5%	1/10W
R0233	1-216-825-11	METAL CHIP	2.2K	5%	1/10W
R0234	1-216-837-11	METAL CHIP	22K	5%	1/10W
R0235	1-216-829-11	METAL CHIP	4.7K	5%	1/10W

A-1073-868-A PD-222 BOARD, COMPLETE

 (Ref.No.:70,000 Serie)

< CAPACITOR >

C601	1-119-750-11	TANTAL. CHIP	22uF	20%	6.3V
C602	1-119-750-11	TANTAL. CHIP	22uF	20%	6.3V
C603	1-125-827-91	CERAMIC CHIP	1uF	10%	25V
C604	1-125-777-11	CERAMIC CHIP	0.1uF	10%	10V
C606	1-125-837-91	CERAMIC CHIP	1uF	10%	6.3V
C607	1-164-943-11	CERAMIC CHIP	0.01uF	10%	16V
C608	1-164-943-11	CERAMIC CHIP	0.01uF	10%	16V
C609	1-164-943-11	CERAMIC CHIP	0.01uF	10%	16V
C610	1-164-943-11	CERAMIC CHIP	0.01uF	10%	16V
C611	1-100-055-21	CERAMIC CHIP	22uF	20%	16V
C612	1-100-055-21	CERAMIC CHIP	22uF	20%	16V
C614	1-125-777-11	CERAMIC CHIP	0.1uF	10%	10V
C615	1-164-739-11	CERAMIC CHIP	560PF	5%	50V
C617	1-115-566-11	CERAMIC CHIP	4.7uF	10%	10V
C618	1-107-826-11	CERAMIC CHIP	0.1uF	10%	16V
C619	1-164-943-11	CERAMIC CHIP	0.01uF	10%	16V
C620	1-165-908-11	CERAMIC CHIP	1uF	10%	10V
C621	1-107-826-11	CERAMIC CHIP	0.1uF	10%	16V
C623	1-100-055-21	CERAMIC CHIP	22uF	20%	16V
C624	1-100-055-21	CERAMIC CHIP	22uF	20%	16V
C625	1-100-055-21	CERAMIC CHIP	22uF	20%	16V
C626	1-100-055-21	CERAMIC CHIP	22uF	20%	16V

< CONNECTOR >

CN601	1-816-928-11	PIN, CONNECTOR 22P			
CN603	1-815-031-51	CONNECTOR, FFC/FPC (ZIF) 24P			
* CN604	1-816-176-51	CONNECTOR, FFC/FPC (ZIF) 6P			

Ref. No.	Part No.	Description
		< DIODE >
D601	8-719-050-42	DIODE RD3.3UM-T1B
		< FERRITE BEAD >
FB601	1-414-760-21	BEAD, FERRITE (CHIP) (1608)
FB602	1-414-760-21	BEAD, FERRITE (CHIP) (1608)
		< IC >
IC601	8-753-213-67	IC CXA3662R-T4
		< COIL >
L601	1-469-525-91	INDUCTOR 10uH
L602	1-414-771-91	INDUCTOR 10uH
		< TRANSISTOR >
Q601	8-729-037-61	TRANSISTOR UN9113J-(TX).SO
Q602	8-759-054-48	IC C010-PW2000SV-V110
Q603	8-759-054-48	IC C010-PW2000SV-V110
Q604	8-729-042-26	TRANSISTOR 2SB1462J-QR (K8).SO
Q605	8-759-054-48	IC C010-PW2000SV-V110
Q606	8-759-054-48	IC C010-PW2000SV-V110
Q607	8-729-041-23	TRANSISTOR NDS356AP
Q608	8-759-054-48	IC C010-PW2000SV-V110
		< RESISTOR >
R601	1-216-864-11	SHORT CHIP 0
R602	1-218-949-11	RES-CHIP 470 5% 1/16W
R603	1-216-837-11	METAL CHIP 22K 5% 1/10W
R604	1-218-990-11	SHORT CHIP 0
R605	1-218-990-11	SHORT CHIP 0
R606	1-208-695-11	RES-CHIP 3.3K 0.5% 1/16W
R607	1-208-691-11	METAL CHIP 2.2K 0.5% 1/16W
R608	1-218-965-11	RES-CHIP 10K 5% 1/16W
R609	1-218-975-11	RES-CHIP 68K 5% 1/16W
R610	1-218-963-11	RES-CHIP 6.8K 5% 1/16W
R611	1-218-969-11	RES-CHIP 22K 5% 1/16W
R612	1-208-911-11	METAL CHIP 10K 0.5% 1/16W
R613	1-208-935-11	METAL CHIP 100K 0.5% 1/16W
R614	1-208-643-11	METAL CHIP 22 0.5% 1/16W
R615	1-218-950-11	RES-CHIP 560 5% 1/16W
R616	1-216-864-11	SHORT CHIP 0
R617	1-216-864-11	SHORT CHIP 0
R618	1-216-864-11	SHORT CHIP 0
R621	1-218-953-11	RES-CHIP 1K 5% 1/16W
R622	1-218-959-11	RES-CHIP 3.3K 5% 1/16W
R623	1-218-937-11	RES-CHIP 47 5% 1/16W
R624	1-218-965-11	RES-CHIP 10K 5% 1/16W
R625	1-218-990-11	SHORT CHIP 0
R627	1-218-977-11	RES-CHIP 100K 5% 1/16W
R628	1-218-965-11	RES-CHIP 10K 5% 1/16W
R629	1-218-978-11	RES-CHIP 120K 5% 1/16W
R630	1-208-957-11	METAL CHIP 820K 0.5% 1/16W
R631	1-216-847-11	METAL CHIP 150K 5% 1/10W
R632	1-218-969-11	RES-CHIP 22K 5% 1/16W
R633	1-216-295-91	SHORT CHIP 0

Ref. No.	Part No.	Description
	A-1073-869-A	SE-150 BOARD, COMPLETE ***** (Ref.No.:70,000 Serie)
		< CAPACITOR >
C401	1-127-760-11	CERAMIC CHIP 4.7uF 10% 6.3V
C402	1-127-760-11	CERAMIC CHIP 4.7uF 10% 6.3V
C405	1-125-777-11	CERAMIC CHIP 0.1uF 10% 10V
C406	1-125-777-11	CERAMIC CHIP 0.1uF 10% 10V
C407	1-119-923-11	CERAMIC CHIP 0.047uF 10% 10V
C408	1-119-923-11	CERAMIC CHIP 0.047uF 10% 10V
C409	1-119-923-11	CERAMIC CHIP 0.047uF 10% 10V
C410	1-127-692-11	CERAMIC CHIP 10uF 10% 16V
C411	1-119-923-11	CERAMIC CHIP 0.047uF 10% 10V
C412	1-127-692-11	CERAMIC CHIP 10uF 10% 16V
C413	1-127-692-11	CERAMIC CHIP 10uF 10% 16V
C414	1-127-692-11	CERAMIC CHIP 10uF 10% 16V
C417	1-125-777-11	CERAMIC CHIP 0.1uF 10% 10V
C418	1-127-895-91	TANTAL. CHIP 22uF 20% 4V
		< CONNECTOR >
* CN401	1-766-336-51	CONNECTOR, FFC/FPC 6P
		< FERRITE BEAD >
FB401	1-400-619-11	BEAD, FERRITE (CHIP) (1608)
FB402	1-400-619-11	BEAD, FERRITE (CHIP) (1608)
FB403	1-400-619-11	BEAD, FERRITE (CHIP) (1608)
FB404	1-400-619-11	BEAD, FERRITE (CHIP) (1608)
FB405	1-400-619-11	BEAD, FERRITE (CHIP) (1608)
FB406	1-400-619-11	BEAD, FERRITE (CHIP) (1608)
FB407	1-400-619-11	BEAD, FERRITE (CHIP) (1608)
FB408	1-400-619-11	BEAD, FERRITE (CHIP) (1608)
		< IC >
IC401	8-759-489-19	IC uPC6756GR-8JG-E2
		< RESISTOR >
R401	1-218-969-11	RES-CHIP 22K 5% 1/16W
R402	1-218-969-11	RES-CHIP 22K 5% 1/16W
R403	1-218-969-11	RES-CHIP 22K 5% 1/16W
R404	1-218-969-11	RES-CHIP 22K 5% 1/16W
R405	1-218-989-11	RES-CHIP 1M 5% 1/16W
R407	1-218-965-11	RES-CHIP 10K 5% 1/16W
R408	1-218-965-11	RES-CHIP 10K 5% 1/16W
R409	1-218-989-11	RES-CHIP 1M 5% 1/16W
		< SENSOR >
SE401	1-476-807-31	SENSOR, ANGULAR VELOCITY (PITCH)
SE402	1-476-807-41	SENSOR, ANGULAR VELOCITY (YAW)

Ref. No.	Part No.	Description
	A-1073-870-A	SW-433 BOARD, COMPLETE ***** (Ref.No.:70,000 Serie)se)
		< CONNECTOR >
CN801	1-794-375-21	PIN, CONNECTOR 2P < SWITCH >
S801	1-786-180-11	SWITCH, PUSH (1KEY)(PANEL ROTATION)
	A-1082-309-A	VA-119 BOARD, COMPLETE ***** (Ref.No.:20,000 Serie)se)
		< CAPACITOR >
C2005	1-164-935-11	CERAMIC CHIP 470PF 10% 50V
C2006	1-164-935-11	CERAMIC CHIP 470PF 10% 50V
C2007	1-107-820-11	CERAMIC CHIP 0.1uF 16V
C2008	1-100-742-91	CERAMIC CHIP 2.2uF 20% 10V
C2009	1-100-742-91	CERAMIC CHIP 2.2uF 20% 10V
C2016	1-125-891-11	CERAMIC CHIP 0.47uF 10% 10V
C2017	1-125-891-11	CERAMIC CHIP 0.47uF 10% 10V
C2022	1-100-742-91	CERAMIC CHIP 2.2uF 20% 10V
C2023	1-137-710-11	CERAMIC CHIP 10uF 20% 6.3V
C2030	1-100-742-91	CERAMIC CHIP 2.2uF 20% 10V
C2033	1-110-569-21	TANTAL. CHIP 0PF 0V
C2034	1-110-569-21	TANTAL. CHIP 0PF 0V
C2035	1-100-507-91	CERAMIC CHIP 4.7uF 20% 6.3V
C2036	1-164-935-11	CERAMIC CHIP 470PF 10% 50V
C2037	1-164-935-11	CERAMIC CHIP 470PF 10% 50V
C2201	1-125-777-11	CERAMIC CHIP 0.1uF 10% 10V
C2202	1-164-943-11	CERAMIC CHIP 0.01uF 10% 16V
C2203	1-115-467-11	CERAMIC CHIP 0.22uF 10% 10V
C2204	1-128-934-61	CERAMIC CHIP 0.33uF 10% 10V
C2205	1-125-777-11	CERAMIC CHIP 0.1uF 10% 10V
C2206	1-164-677-11	CERAMIC CHIP 0.033uF 10% 16V
C2207	1-125-837-91	CERAMIC CHIP 1uF 10% 6.3V
C2208	1-165-884-91	CERAMIC CHIP 2.2uF 10% 6.3V
C2209	1-165-884-91	CERAMIC CHIP 2.2uF 10% 6.3V
C2211	1-165-884-91	CERAMIC CHIP 2.2uF 10% 6.3V
C2212	1-125-837-91	CERAMIC CHIP 1uF 10% 6.3V
C2213	1-165-897-11	TANTAL. CHIP 22uF 20% 10V
C2214	1-128-934-61	CERAMIC CHIP 0.33uF 10% 10V
C2215	1-165-908-11	CERAMIC CHIP 1uF 10% 10V
C2216	1-125-837-91	CERAMIC CHIP 1uF 10% 6.3V
C2218	1-128-934-61	CERAMIC CHIP 0.33uF 10% 10V
C2219	1-164-878-11	CERAMIC CHIP 150PF 5% 50V
C2220	1-164-937-11	CERAMIC CHIP 0.001uF 10% 50V
C2221	1-125-777-11	CERAMIC CHIP 0.1uF 10% 10V
C2222	1-165-908-11	CERAMIC CHIP 1uF 10% 10V
C2224	1-165-884-91	CERAMIC CHIP 2.2uF 10% 6.3V
C2225	1-165-884-91	CERAMIC CHIP 2.2uF 10% 6.3V
C2226	1-125-777-11	CERAMIC CHIP 0.1uF 10% 10V
C2227	1-125-777-11	CERAMIC CHIP 0.1uF 10% 10V
C2228	1-100-609-11	TANTAL. CHIP 220uF 5V

Ref. No.	Part No.	Description
C2229	1-100-609-11	TANTAL. CHIP 220uF 5V
C2230	1-165-897-11	TANTAL. CHIP 22uF 20% 10V
C2231	1-165-908-11	CERAMIC CHIP 1uF 10% 10V
C2301	1-100-609-11	TANTAL. CHIP 220uF 5V
C2302	1-100-609-11	TANTAL. CHIP 220uF 5V
C2303	1-100-609-11	TANTAL. CHIP 220uF 5V
C2304	1-119-923-11	CERAMIC CHIP 0.047uF 10% 10V
C2305	1-119-923-11	CERAMIC CHIP 0.047uF 10% 10V
C2306	1-100-875-91	TANTAL. CHIP 100uF 20% 6.3V
C2307	1-100-875-91	TANTAL. CHIP 100uF 20% 6.3V
C2316	1-117-744-81	CERAMIC CHIP 6PF 0.1PF 16V
C2317	1-117-744-81	CERAMIC CHIP 6PF 0.1PF 16V
C2401	1-127-573-11	CERAMIC CHIP 1uF 10% 16V
C2402	1-127-573-11	CERAMIC CHIP 1uF 10% 16V
C2403	1-127-573-11	CERAMIC CHIP 1uF 10% 16V
C2404	1-127-573-11	CERAMIC CHIP 1uF 10% 16V
C2405	1-137-710-11	CERAMIC CHIP 10uF 20% 6.3V
C2406	1-137-710-11	CERAMIC CHIP 10uF 20% 6.3V
C2407	1-119-751-11	TANTAL. CHIP 22uF 20% 16V
C2408	1-119-751-11	TANTAL. CHIP 22uF 20% 16V
C2409	1-100-506-91	CERAMIC CHIP 1uF 20% 6.3V
C2410	1-100-506-91	CERAMIC CHIP 1uF 20% 6.3V
C2411	1-100-506-91	CERAMIC CHIP 1uF 20% 6.3V
C2412	1-100-506-91	CERAMIC CHIP 1uF 20% 6.3V
C2413	1-164-935-11	CERAMIC CHIP 470PF 10% 50V
C2414	1-164-935-11	CERAMIC CHIP 470PF 10% 50V
C2415	1-164-935-11	CERAMIC CHIP 470PF 10% 50V
C2416	1-137-710-11	CERAMIC CHIP 10uF 20% 6.3V
C2417	1-137-710-11	CERAMIC CHIP 10uF 20% 6.3V
C2418	1-164-935-11	CERAMIC CHIP 470PF 10% 50V
C2419	1-137-710-11	CERAMIC CHIP 10uF 20% 6.3V
C2420	1-137-710-11	CERAMIC CHIP 10uF 20% 6.3V
C2421	1-137-710-11	CERAMIC CHIP 10uF 20% 6.3V
C2422	1-137-710-11	CERAMIC CHIP 10uF 20% 6.3V
C2423	1-165-875-11	CERAMIC CHIP 10uF 10% 10V
C2424	1-165-875-11	CERAMIC CHIP 10uF 10% 10V
C2425	1-165-875-11	CERAMIC CHIP 10uF 10% 10V
C2426	1-165-875-11	CERAMIC CHIP 10uF 10% 10V
C2427	1-137-710-11	CERAMIC CHIP 10uF 20% 6.3V
C2428	1-137-710-11	CERAMIC CHIP 10uF 20% 6.3V
C2433	1-165-908-11	CERAMIC CHIP 1uF 10% 10V
C2434	1-165-908-11	CERAMIC CHIP 1uF 10% 10V
C2435	1-165-908-11	CERAMIC CHIP 1uF 10% 10V
C2436	1-165-908-11	CERAMIC CHIP 1uF 10% 10V
C2437	1-165-908-11	CERAMIC CHIP 1uF 10% 10V
C2438	1-165-908-11	CERAMIC CHIP 1uF 10% 10V
C2439	1-165-908-11	CERAMIC CHIP 1uF 10% 10V
C2440	1-165-908-11	CERAMIC CHIP 1uF 10% 10V
C2441	1-165-908-11	CERAMIC CHIP 1uF 10% 10V
C2442	1-165-908-11	CERAMIC CHIP 1uF 10% 10V
C2443	1-165-908-11	CERAMIC CHIP 1uF 10% 10V
C2444	1-165-908-11	CERAMIC CHIP 1uF 10% 10V
C2445	1-165-908-11	CERAMIC CHIP 1uF 10% 10V
C2446	1-165-908-11	CERAMIC CHIP 1uF 10% 10V
C2447	1-165-908-11	CERAMIC CHIP 1uF 10% 10V
C2448	1-165-908-11	CERAMIC CHIP 1uF 10% 10V
C2449	1-164-931-11	CERAMIC CHIP 100PF 10% 50V
C2450	1-137-710-11	CERAMIC CHIP 10uF 20% 6.3V
C2451	1-165-908-11	CERAMIC CHIP 1uF 10% 10V
C2452	1-165-875-11	CERAMIC CHIP 10uF 10% 10V

Ref. No.	Part No.	Description	Ref. No.	Part No.	Description
C2453	1-127-715-91	CERAMIC CHIP 0.22uF 10% 16V	Q2011	8-729-042-26	TRANSISTOR 2SB1462J-QR (K8).SO
C2454	1-107-823-11	CERAMIC CHIP 0.47uF 10% 16V	Q2012	8-729-202-38	TRANSISTOR 2SC3326N-A
C2455	1-127-573-11	CERAMIC CHIP 1uF 10% 16V	Q2013	8-729-037-63	TRANSISTOR UN9115J-(TX).SO
C2456	1-127-573-11	CERAMIC CHIP 1uF 10% 16V	Q2014	8-729-037-63	TRANSISTOR UN9115J-(TX).SO
C2457	1-127-573-11	CERAMIC CHIP 1uF 10% 16V	Q2017	8-729-037-61	TRANSISTOR UN9113J-(TX).SO
C2458	1-127-573-11	CERAMIC CHIP 1uF 10% 16V	Q2018	8-729-202-38	TRANSISTOR 2SC3326N-A
< CONNECTOR >			Q2023	8-729-037-61	TRANSISTOR UN9113J-(TX).SO
CN2004	1-816-464-11	CONNECTOR BOAR TO BOARD 100P	Q2027	8-729-037-52	TRANSISTOR 2SD2216J-QR (TX).SO
* CN2005	1-818-218-51	CONNECTOR, FFC/FPC (ZIF) 10P	Q2028	8-729-037-52	TRANSISTOR 2SD2216J-QR (TX).SO
* CN2006	1-816-179-51	CONNECTOR, FFC/FPC (ZIF) 22P	Q2031	8-729-037-52	TRANSISTOR 2SD2216J-QR (TX).SO
* CN2007	1-766-348-51	CONNECTOR, FFC/FPC 18P	Q2034	8-729-202-38	TRANSISTOR 2SC3326N-A
< DIODE >			Q2035	8-729-202-38	TRANSISTOR 2SC3326N-A
D2001	8-719-062-16	DIODE 01ZA8.2 (TPL3)	Q2038	8-729-042-29	TRANSISTOR RN1104F (TPL3)
D2006	8-719-062-16	DIODE 01ZA8.2 (TPL3)	Q2041	8-729-047-68	TRANSISTOR SSM3K03FE (TPL3)
D2007	8-719-056-85	DIODE UDZ-TE-17-8.2B	Q2042	8-729-047-68	TRANSISTOR SSM3K03FE (TPL3)
D2401	8-719-074-08	DIODE MA4ZD03001S0	Q2201	8-729-037-52	TRANSISTOR 2SD2216J-QR (TX).SO
< FERRITE BEAD >			Q2202	8-729-037-61	TRANSISTOR UN9113J-(TX).SO
FB2201	1-414-760-21	FERRITE, EMI (SMD) (1608)	Q2203	8-729-037-52	TRANSISTOR 2SD2216J-QR (TX).SO
FB2301	1-414-445-11	FERRITE, EMI (SMD) (1608)	Q2204	8-729-037-52	TRANSISTOR 2SD2216J-QR (TX).SO
FB2302	1-414-445-11	FERRITE, EMI (SMD) (1608)	Q2301	8-729-429-50	TRANSISTOR XP4312
< IC >			Q2302	8-729-429-50	TRANSISTOR XP4312
IC2001	8-759-058-58	IC TC7S04FU (TE85R)	Q2401	8-729-037-52	TRANSISTOR 2SD2216J-QR (TX).SO
IC2002	8-759-058-58	IC TC7S04FU (TE85R)	Q2402	8-729-037-52	TRANSISTOR 2SD2216J-QR (TX).SO
IC2003	8-759-523-02	IC TC74HC4053AFT (EL)	Q2403	8-729-119-64	TRANSISTOR 2SA811A-C17
IC2043	8-759-523-02	IC TC74HC4053AFT (EL)	Q2404	8-729-119-64	TRANSISTOR 2SA811A-C17
IC2044	8-759-564-49	IC TC7W53FU (TE12R)	Q2405	8-729-037-72	TRANSISTOR UN9211J-(TX).SO
IC2201	6-701-555-01	IC AN2225NFHQBA	Q2406	8-729-037-72	TRANSISTOR UN9211J-(TX).SO
IC2301	6-705-510-01	IC MAX4382EUD+TG069	Q2407	6-551-294-01	TRANSISTOR MCH6606-TL-E
IC2302	6-705-510-01	IC MAX4382EUD+TG069	Q2408	6-551-294-01	TRANSISTOR MCH6606-TL-E
IC2405	8-759-572-38	IC NJM2140R	Q2409	6-551-294-01	TRANSISTOR MCH6606-TL-E
IC2406	8-759-564-49	IC TC7W53FU (TE12R)	Q2410	6-551-294-01	TRANSISTOR MCH6606-TL-E
IC2407	8-759-096-87	IC TC7WU04FU (TE12R)	Q2411	8-729-037-52	TRANSISTOR 2SD2216J-QR (TX).SO
< JUMPER >			Q2412	8-729-037-52	TRANSISTOR 2SD2216J-QR (TX).SO
JS2002	1-218-990-11	SHORT CHIP 0	Q2413	8-729-037-52	TRANSISTOR 2SD2216J-QR (TX).SO
JS2401	1-216-864-11	SHORT CHIP 0	Q2414	8-729-037-52	TRANSISTOR 2SD2216J-QR (TX).SO
JS2402	1-216-864-11	SHORT CHIP 0	Q2415	8-729-037-61	TRANSISTOR UN9113J-(TX).SO
< COIL >			Q2416	8-729-037-61	TRANSISTOR UN9113J-(TX).SO
L2001	1-412-951-11	INDUCTOR 10uH	Q2417	8-729-037-61	TRANSISTOR UN9113J-(TX).SO
L2002	1-414-406-11	INDUCTOR 220uH	Q2418	8-729-037-61	TRANSISTOR UN9113J-(TX).SO
L2003	1-414-406-11	INDUCTOR 220uH	Q2419	8-729-042-26	TRANSISTOR 2SB1462J-QR (K8).SO
L2201	1-469-525-91	INDUCTOR 10uH	Q2420	8-729-042-26	TRANSISTOR 2SB1462J-QR (K8).SO
L2202	1-469-525-91	INDUCTOR 10uH	Q2421	8-729-042-26	TRANSISTOR 2SB1462J-QR (K8).SO
L2203	1-412-939-11	INDUCTOR 1uH	Q2422	8-729-042-26	TRANSISTOR 2SB1462J-QR (K8).SO
L2204	1-469-525-91	INDUCTOR 10uH	Q2423	8-729-037-52	TRANSISTOR 2SD2216J-QR (TX).SO
< TRANSISTOR >			Q2424	8-729-037-52	TRANSISTOR 2SD2216J-QR (TX).SO
Q2001	8-729-042-29	TRANSISTOR RN1104F (TPL3)	Q2425	8-729-037-52	TRANSISTOR 2SD2216J-QR (TX).SO
Q2002	8-729-042-29	TRANSISTOR RN1104F (TPL3)	Q2426	8-729-037-52	TRANSISTOR 2SD2216J-QR (TX).SO
Q2003	8-729-042-29	TRANSISTOR RN1104F (TPL3)	Q2427	8-729-037-52	TRANSISTOR 2SD2216J-QR (TX).SO
Q2004	8-729-042-29	TRANSISTOR RN1104F (TPL3)	Q2428	8-729-037-52	TRANSISTOR 2SD2216J-QR (TX).SO
Q2010	8-729-042-26	TRANSISTOR 2SB1462J-QR (K8).SO	Q2429	8-729-037-52	TRANSISTOR 2SD2216J-QR (TX).SO
< RESISTOR >			Q2430	8-729-042-26	TRANSISTOR 2SB1462J-QR (K8).SO
R2001	1-218-965-11	RES-CHIP 10K 5% 1/16W	Q2431	8-729-042-26	TRANSISTOR 2SB1462J-QR (K8).SO
R2002	1-218-965-11	RES-CHIP 10K 5% 1/16W	Q2432	8-729-037-72	TRANSISTOR UN9211J-(TX).SO
R2003	1-218-965-11	RES-CHIP 10K 5% 1/16W			
R2004	1-218-965-11	RES-CHIP 10K 5% 1/16W			
R2006	1-218-953-11	RES-CHIP 1K 5% 1/16W			

Ref. No.	Part No.	Description				Ref. No.	Part No.	Description			
R2007	1-218-977-11	RES-CHIP	100K	5%	1/16W	R2226	1-218-953-11	RES-CHIP	1K	5%	1/16W
R2008	1-218-977-11	RES-CHIP	100K	5%	1/16W	R2301	1-218-953-11	RES-CHIP	1K	5%	1/16W
R2010	1-218-990-11	SHORT CHIP	0			R2302	1-218-953-11	RES-CHIP	1K	5%	1/16W
R2011	1-218-990-11	SHORT CHIP	0			R2303	1-218-953-11	RES-CHIP	1K	5%	1/16W
R2019	1-218-941-81	RES-CHIP	100	5%	1/16W	R2304	1-208-679-11	METAL CHIP	680	0.5%	1/16W
R2021	1-218-941-81	RES-CHIP	100	5%	1/16W	R2305	1-208-679-11	METAL CHIP	680	0.5%	1/16W
R2023	1-218-941-81	RES-CHIP	100	5%	1/16W	R2306	1-208-679-11	METAL CHIP	680	0.5%	1/16W
R2024	1-218-941-81	RES-CHIP	100	5%	1/16W	R2307	1-208-679-11	METAL CHIP	680	0.5%	1/16W
R2025	1-218-989-11	RES-CHIP	1M	5%	1/16W	R2308	1-218-948-11	RES-CHIP	390	5%	1/16W
R2026	1-218-977-11	RES-CHIP	100K	5%	1/16W	R2309	1-208-671-11	METAL CHIP	330	0.5%	1/16W
R2028	1-218-989-11	RES-CHIP	1M	5%	1/16W	R2310	1-208-679-11	METAL CHIP	680	0.5%	1/16W
R2038	1-218-953-11	RES-CHIP	1K	5%	1/16W	R2311	1-208-671-11	METAL CHIP	330	0.5%	1/16W
R2039	1-218-953-11	RES-CHIP	1K	5%	1/16W	R2312	1-218-948-11	RES-CHIP	390	5%	1/16W
R2040	1-218-969-11	RES-CHIP	22K	5%	1/16W	R2313	1-208-679-11	METAL CHIP	680	0.5%	1/16W
R2041	1-218-969-11	RES-CHIP	22K	5%	1/16W	R2314	1-208-679-11	METAL CHIP	680	0.5%	1/16W
R2046	1-218-969-11	RES-CHIP	22K	5%	1/16W	R2315	1-208-679-11	METAL CHIP	680	0.5%	1/16W
R2051	1-218-972-11	RES-CHIP	39K	5%	1/16W	R2316	1-211-990-11	METAL CHIP	75	0.5%	1/10W
R2052	1-218-969-11	RES-CHIP	22K	5%	1/16W	R2317	1-211-990-11	METAL CHIP	75	0.5%	1/10W
R2053	1-218-972-11	RES-CHIP	39K	5%	1/16W	R2318	1-211-990-11	METAL CHIP	75	0.5%	1/10W
R2054	1-218-969-11	RES-CHIP	22K	5%	1/16W	R2331	1-218-977-11	RES-CHIP	100K	5%	1/16W
R2055	1-218-971-11	RES-CHIP	33K	5%	1/16W	R2332	1-218-977-11	RES-CHIP	100K	5%	1/16W
R2060	1-218-969-11	RES-CHIP	22K	5%	1/16W	R2335	1-218-990-11	SHORT CHIP	0		
R2065	1-218-969-11	RES-CHIP	22K	5%	1/16W	R2336	1-218-990-11	SHORT CHIP	0		
R2068	1-218-973-11	RES-CHIP	47K	5%	1/16W	R2401	1-218-977-11	RES-CHIP	100K	5%	1/16W
R2072	1-216-805-11	METAL CHIP	47	5%	1/10W	R2402	1-218-977-11	RES-CHIP	100K	5%	1/16W
R2073	1-216-805-11	METAL CHIP	47	5%	1/10W	R2403	1-218-977-11	RES-CHIP	100K	5%	1/16W
R2074	1-218-953-11	RES-CHIP	1K	5%	1/16W	R2404	1-218-977-11	RES-CHIP	100K	5%	1/16W
R2075	1-218-953-11	RES-CHIP	1K	5%	1/16W	R2405	1-216-097-11	RES-CHIP	100K	5%	1/10W
R2076	1-218-990-11	SHORT CHIP	0			R2406	1-216-097-11	RES-CHIP	100K	5%	1/10W
R2077	1-218-990-11	SHORT CHIP	0			R2407	1-218-959-11	RES-CHIP	3.3K	5%	1/16W
R2078	1-218-990-11	SHORT CHIP	0			R2408	1-218-959-11	RES-CHIP	3.3K	5%	1/16W
R2079	1-218-990-11	SHORT CHIP	0			R2409	1-208-812-11	METAL CHIP	18K	0.5%	1/10W
R2080	1-218-965-11	RES-CHIP	10K	5%	1/16W	R2410	1-208-812-11	METAL CHIP	18K	0.5%	1/10W
R2081	1-216-805-11	METAL CHIP	47	5%	1/10W	R2411	1-208-812-11	METAL CHIP	18K	0.5%	1/10W
R2082	1-216-805-11	METAL CHIP	47	5%	1/10W	R2412	1-208-812-11	METAL CHIP	18K	0.5%	1/10W
R2201	1-218-961-11	RES-CHIP	4.7K	5%	1/16W	R2413	1-208-812-11	METAL CHIP	18K	0.5%	1/10W
R2202	1-218-961-11	RES-CHIP	4.7K	5%	1/16W	R2414	1-208-812-11	METAL CHIP	18K	0.5%	1/10W
R2203	1-216-809-11	METAL CHIP	100	5%	1/10W	R2415	1-218-985-11	RES-CHIP	470K	5%	1/16W
R2204	1-218-981-11	RES-CHIP	220K	5%	1/16W	R2416	1-208-812-11	METAL CHIP	18K	0.5%	1/10W
R2205	1-218-954-11	RES-CHIP	1.2K	5%	1/16W	R2417	1-208-812-11	METAL CHIP	18K	0.5%	1/10W
R2206	1-218-954-11	RES-CHIP	1.2K	5%	1/16W	R2418	1-218-985-11	RES-CHIP	470K	5%	1/16W
R2207	1-216-864-11	SHORT CHIP	0			R2419	1-208-812-11	METAL CHIP	18K	0.5%	1/10W
R2208	1-216-864-11	SHORT CHIP	0			R2420	1-208-788-11	METAL CHIP	1.8K	0.5%	1/10W
R2209	1-211-983-11	METAL CHIP	39	0.5%	1/10W	R2421	1-218-985-11	RES-CHIP	470K	5%	1/16W
R2210	1-211-982-11	METAL CHIP	36	0.5%	1/10W	R2422	1-208-812-11	METAL CHIP	18K	0.5%	1/10W
R2211	1-211-983-11	METAL CHIP	39	0.5%	1/10W	R2423	1-208-812-11	METAL CHIP	18K	0.5%	1/10W
R2212	1-211-982-11	METAL CHIP	36	0.5%	1/10W	R2424	1-208-788-11	METAL CHIP	1.8K	0.5%	1/10W
R2213	1-211-983-11	METAL CHIP	39	0.5%	1/10W	R2425	1-218-985-11	RES-CHIP	470K	5%	1/16W
R2214	1-211-982-11	METAL CHIP	36	0.5%	1/10W	R2426	1-208-812-11	METAL CHIP	18K	0.5%	1/10W
R2215	1-218-971-11	RES-CHIP	33K	5%	1/16W	R2427	1-208-812-11	METAL CHIP	18K	0.5%	1/10W
R2216	1-208-715-11	METAL CHIP	22K	0.5%	1/16W	R2428	1-208-812-11	METAL CHIP	18K	0.5%	1/10W
R2217	1-218-971-11	RES-CHIP	33K	5%	1/16W	R2429	1-208-812-11	METAL CHIP	18K	0.5%	1/10W
R2218	1-218-973-11	RES-CHIP	47K	5%	1/16W	R2430	1-208-812-11	METAL CHIP	18K	0.5%	1/10W
R2219	1-218-953-11	RES-CHIP	1K	5%	1/16W	R2431	1-208-788-11	METAL CHIP	1.8K	0.5%	1/10W
R2220	1-218-953-11	RES-CHIP	1K	5%	1/16W	R2433	1-208-788-11	METAL CHIP	1.8K	0.5%	1/10W
R2221	1-216-817-11	METAL CHIP	470	5%	1/10W	R2435	1-218-965-11	RES-CHIP	10K	5%	1/16W
R2222	1-218-965-11	RES-CHIP	10K	5%	1/16W	R2436	1-218-965-11	RES-CHIP	10K	5%	1/16W
R2223	1-218-953-11	RES-CHIP	1K	5%	1/16W	R2437	1-218-965-11	RES-CHIP	10K	5%	1/16W
R2224	1-218-953-11	RES-CHIP	1K	5%	1/16W	R2438	1-218-965-11	RES-CHIP	10K	5%	1/16W
R2225	1-218-953-11	RES-CHIP	1K	5%	1/16W	R2439	1-218-977-11	RES-CHIP	100K	5%	1/16W

Ref. No.	Part No.	Description			
R2440	1-218-977-11	RES-CHIP	100K	5%	1/16W
R2441	1-218-977-11	RES-CHIP	100K	5%	1/16W
R2442	1-218-977-11	RES-CHIP	100K	5%	1/16W
R2443	1-218-973-11	RES-CHIP	47K	5%	1/16W
R2444	1-218-973-11	RES-CHIP	47K	5%	1/16W
R2445	1-218-973-11	RES-CHIP	47K	5%	1/16W
R2446	1-218-973-11	RES-CHIP	47K	5%	1/16W
R2447	1-218-973-11	RES-CHIP	47K	5%	1/16W
R2448	1-218-973-11	RES-CHIP	47K	5%	1/16W
R2449	1-218-973-11	RES-CHIP	47K	5%	1/16W
R2450	1-218-973-11	RES-CHIP	47K	5%	1/16W
R2451	1-218-985-11	RES-CHIP	470K	5%	1/16W
R2452	1-218-985-11	RES-CHIP	470K	5%	1/16W
R2453	1-218-985-11	RES-CHIP	470K	5%	1/16W
R2454	1-218-985-11	RES-CHIP	470K	5%	1/16W
R2455	1-218-960-11	RES-CHIP	3.9K	5%	1/16W
R2456	1-218-953-11	RES-CHIP	1K	5%	1/16W
R2457	1-218-960-11	RES-CHIP	3.9K	5%	1/16W
R2458	1-218-953-11	RES-CHIP	1K	5%	1/16W
R2459	1-218-960-11	RES-CHIP	3.9K	5%	1/16W
R2460	1-218-953-11	RES-CHIP	1K	5%	1/16W
R2461	1-218-960-11	RES-CHIP	3.9K	5%	1/16W
R2462	1-218-953-11	RES-CHIP	1K	5%	1/16W
R2463	1-218-949-11	RES-CHIP	470	5%	1/16W
R2464	1-218-949-11	RES-CHIP	470	5%	1/16W
R2465	1-218-954-11	RES-CHIP	1.2K	5%	1/16W
R2466	1-218-954-11	RES-CHIP	1.2K	5%	1/16W
R2467	1-218-954-11	RES-CHIP	1.2K	5%	1/16W
R2468	1-218-954-11	RES-CHIP	1.2K	5%	1/16W
R2469	1-218-949-11	RES-CHIP	470	5%	1/16W
R2470	1-218-949-11	RES-CHIP	470	5%	1/16W
R2471	1-218-973-11	RES-CHIP	47K	5%	1/16W
R2472	1-218-973-11	RES-CHIP	47K	5%	1/16W
R2473	1-218-977-11	RES-CHIP	100K	5%	1/16W
R2474	1-218-977-11	RES-CHIP	100K	5%	1/16W
R2475	1-218-977-11	RES-CHIP	100K	5%	1/16W
R2476	1-218-977-11	RES-CHIP	100K	5%	1/16W
R2477	1-218-977-11	RES-CHIP	100K	5%	1/16W
R2478	1-218-977-11	RES-CHIP	100K	5%	1/16W
R2479	1-218-977-11	RES-CHIP	100K	5%	1/16W
R2480	1-218-977-11	RES-CHIP	100K	5%	1/16W
R2481	1-218-973-11	RES-CHIP	47K	5%	1/16W
R2482	1-218-973-11	RES-CHIP	47K	5%	1/16W
R2483	1-218-973-11	RES-CHIP	47K	5%	1/16W
R2484	1-218-973-11	RES-CHIP	47K	5%	1/16W
R2485	1-218-965-11	RES-CHIP	10K	5%	1/16W
R2486	1-218-965-11	RES-CHIP	10K	5%	1/16W
R2487	1-218-965-11	RES-CHIP	10K	5%	1/16W
R2488	1-218-965-11	RES-CHIP	10K	5%	1/16W
R2489	1-218-941-81	RES-CHIP	100	5%	1/16W
R2490	1-218-941-81	RES-CHIP	100	5%	1/16W
R2491	1-218-941-81	RES-CHIP	100	5%	1/16W
R2492	1-218-941-81	RES-CHIP	100	5%	1/16W
R2493	1-218-981-11	RES-CHIP	220K	5%	1/16W
R2494	1-218-981-11	RES-CHIP	220K	5%	1/16W
R2495	1-218-965-11	RES-CHIP	10K	5%	1/16W
R2496	1-218-965-11	RES-CHIP	10K	5%	1/16W
R2497	1-218-981-11	RES-CHIP	220K	5%	1/16W
R2498	1-218-981-11	RES-CHIP	220K	5%	1/16W
R2499	1-218-978-11	RES-CHIP	120K	5%	1/16W

Ref. No.	Part No.	Description			
R2500	1-218-965-11	RES-CHIP	10K	5%	1/16W
R2501	1-218-965-11	RES-CHIP	10K	5%	1/16W
R2502	1-218-971-11	RES-CHIP	33K	5%	1/16W
R2503	1-218-965-11	RES-CHIP	10K	5%	1/16W
R2504	1-218-965-11	RES-CHIP	10K	5%	1/16W
R2505	1-218-956-11	RES-CHIP	1.8K	5%	1/16W
R2506	1-218-958-11	RES-CHIP	2.7K	5%	1/16W
R2507	1-218-965-11	RES-CHIP	10K	5%	1/16W
R2508	1-218-973-11	RES-CHIP	47K	5%	1/16W
R2509	1-218-977-11	RES-CHIP	100K	5%	1/16W
R2510	1-218-977-11	RES-CHIP	100K	5%	1/16W
R2511	1-218-977-11	RES-CHIP	100K	5%	1/16W
R2535	1-218-965-11	RES-CHIP	10K	5%	1/16W
R2536	1-218-965-11	RES-CHIP	10K	5%	1/16W
R2537	1-218-965-11	RES-CHIP	10K	5%	1/16W
R2538	1-218-965-11	RES-CHIP	10K	5%	1/16W
R2539	1-218-977-11	RES-CHIP	100K	5%	1/16W
R2540	1-218-977-11	RES-CHIP	100K	5%	1/16W
R2541	1-218-977-11	RES-CHIP	100K	5%	1/16W
R2542	1-218-977-11	RES-CHIP	100K	5%	1/16W
< VIBRATOR >					
X2201	1-781-763-21	VIBRATOR, CRYSTAL (13.500000MHZ)			
A-1073-873-A CD-522 BOARD, COMPLETE ***** (Ref.No.,30,000 Series) (IC101,IC102 and IC103 are not included in this COMPLETE board.) (IC101,IC102 and IC103 are included in PRISM ASSY (A-1086-405-A).)					
< CAPACITOR >					
C104	1-115-339-11	CERAMIC CHIP	0.1uF	10%	50V
C105	1-115-339-11	CERAMIC CHIP	0.1uF	10%	50V
C106	1-115-339-11	CERAMIC CHIP	0.1uF	10%	50V
C107	1-165-908-11	CERAMIC CHIP	1uF	10%	10V
C108	1-165-908-11	CERAMIC CHIP	1uF	10%	10V
C109	1-165-908-11	CERAMIC CHIP	1uF	10%	10V
C110	1-100-566-91	CERAMIC CHIP	0.1uF	10%	25V
C111	1-100-566-91	CERAMIC CHIP	0.1uF	10%	25V
C112	1-100-566-91	CERAMIC CHIP	0.1uF	10%	25V
C113	1-107-826-11	CERAMIC CHIP	0.1uF	10%	16V
C114	1-107-826-11	CERAMIC CHIP	0.1uF	10%	16V
C115	1-107-826-11	CERAMIC CHIP	0.1uF	10%	16V
C116	1-164-943-11	CERAMIC CHIP	0.01uF	10%	16V
C117	1-164-943-11	CERAMIC CHIP	0.01uF	10%	16V
C118	1-164-943-11	CERAMIC CHIP	0.01uF	10%	16V
C119	1-125-777-11	CERAMIC CHIP	0.1uF	10%	10V
C120	1-125-777-11	CERAMIC CHIP	0.1uF	10%	10V
C121	1-125-777-11	CERAMIC CHIP	0.1uF	10%	10V
C122	1-125-777-11	CERAMIC CHIP	0.1uF	10%	10V
C123	1-125-777-11	CERAMIC CHIP	0.1uF	10%	10V
C124	1-125-777-11	CERAMIC CHIP	0.1uF	10%	10V
C125	1-125-777-11	CERAMIC CHIP	0.1uF	10%	10V
C126	1-125-777-11	CERAMIC CHIP	0.1uF	10%	10V
C127	1-125-777-11	CERAMIC CHIP	0.1uF	10%	10V
C128	1-164-937-11	CERAMIC CHIP	0.001uF	10%	50V
C129	1-125-777-11	CERAMIC CHIP	0.1uF	10%	10V
C130	1-164-937-11	CERAMIC CHIP	0.001uF	10%	50V
C131	1-125-777-11	CERAMIC CHIP	0.1uF	10%	10V
C132	1-164-937-11	CERAMIC CHIP	0.001uF	10%	50V
C133	1-125-777-11	CERAMIC CHIP	0.1uF	10%	10V

Ref. No.	Part No.	Description
C134	1-125-777-11	CERAMIC CHIP 0.1uF 10% 10V
C135	1-125-777-11	CERAMIC CHIP 0.1uF 10% 10V
C136	1-125-777-11	CERAMIC CHIP 0.1uF 10% 10V
C137	1-164-937-11	CERAMIC CHIP 0.001uF 10% 50V
C138	1-164-937-11	CERAMIC CHIP 0.001uF 10% 50V
C139	1-164-937-11	CERAMIC CHIP 0.001uF 10% 50V
C140	1-125-777-11	CERAMIC CHIP 0.1uF 10% 10V
C141	1-125-777-11	CERAMIC CHIP 0.1uF 10% 10V
C142	1-125-777-11	CERAMIC CHIP 0.1uF 10% 10V
C143	1-125-777-11	CERAMIC CHIP 0.1uF 10% 10V
C144	1-125-777-11	CERAMIC CHIP 0.1uF 10% 10V
C145	1-125-777-11	CERAMIC CHIP 0.1uF 10% 10V
C146	1-125-777-11	CERAMIC CHIP 0.1uF 10% 10V
C147	1-125-777-11	CERAMIC CHIP 0.1uF 10% 10V
C148	1-125-777-11	CERAMIC CHIP 0.1uF 10% 10V
C149	1-125-777-11	CERAMIC CHIP 0.1uF 10% 10V
C150	1-125-777-11	CERAMIC CHIP 0.1uF 10% 10V
C151	1-125-777-11	CERAMIC CHIP 0.1uF 10% 10V
C152	1-100-505-11	CERAMIC CHIP 0.1uF 20% 16V
C153	1-100-505-11	CERAMIC CHIP 0.1uF 20% 16V
C154	1-100-505-11	CERAMIC CHIP 0.1uF 20% 16V
C161	1-164-882-11	CERAMIC CHIP 220PF 5% 16V
C162	1-164-882-11	CERAMIC CHIP 220PF 5% 16V
C163	1-164-882-11	CERAMIC CHIP 220PF 5% 16V
C164	1-165-897-11	TANTAL. CHIP 22uF 20% 10V
C165	1-165-897-11	TANTAL. CHIP 22uF 20% 10V
C166	1-165-897-11	TANTAL. CHIP 22uF 20% 10V
< CONNECTOR >		
CN101	1-816-464-11	CONNECTOR BOAR TO BOARD 100P
< FERRITE BEAD >		
FB101	1-414-445-11	BEAD, FERRITE (CHIP) (1608)
FB102	1-414-445-11	BEAD, FERRITE (CHIP) (1608)
FB103	1-414-445-11	BEAD, FERRITE (CHIP) (1608)
FB104	1-414-445-11	BEAD, FERRITE (CHIP) (1608)
FB105	1-414-445-11	BEAD, FERRITE (CHIP) (1608)
FB106	1-414-445-11	BEAD, FERRITE (CHIP) (1608)
FB107	1-414-445-11	BEAD, FERRITE (CHIP) (1608)
FB108	1-414-445-11	BEAD, FERRITE (CHIP) (1608)
FB109	1-414-445-11	BEAD, FERRITE (CHIP) (1608)
FB110	1-414-445-11	BEAD, FERRITE (CHIP) (1608)
FB111	1-414-445-11	BEAD, FERRITE (CHIP) (1608)
FB112	1-414-445-11	BEAD, FERRITE (CHIP) (1608)
FB113	1-414-445-11	BEAD, FERRITE (CHIP) (1608)
FB114	1-414-445-11	BEAD, FERRITE (CHIP) (1608)
FB115	1-414-445-11	BEAD, FERRITE (CHIP) (1608)
FB116	1-414-445-11	BEAD, FERRITE (CHIP) (1608)
FB117	1-414-445-11	BEAD, FERRITE (CHIP) (1608)
FB118	1-414-445-11	BEAD, FERRITE (CHIP) (1608)
< IC >		
IC101	Not supplied	IC ICX480AL-13 (CCD IMAGER)
IC102	Not supplied	IC ICX480AL-13 (CCD IMAGER)
IC103	Not supplied	IC ICX480AL-13 (CCD IMAGER)
(IC101,IC102 and IC103 are not included in this COMPLETE of CD-522 board.) (IC101,IC102 and IC103 are included in PRISM ASSY (A-1086-405-A).)		

Ref. No.	Part No.	Description
IC104	6706540010	IC AD80052AKBCRL-45
IC105	6706540010	IC AD80052AKBCRL-45
IC106	6706540010	IC AD80052AKBCRL-45
< COIL >		
L101	1-400-695-21	INDUCTOR 390uH
L102	1-400-695-21	INDUCTOR 390uH
L103	1-400-695-21	INDUCTOR 390uH
< TRANSISTOR >		
Q102	8-729-055-21	TRANSISTOR 2SC5096-O/R (TE85L)
Q104	8-729-055-21	TRANSISTOR 2SC5096-O/R (TE85L)
Q106	8-729-055-21	TRANSISTOR 2SC5096-O/R (TE85L)
< RESISTOR >		
R101	1-218-990-11	SHORT CHIP 0
R102	1-218-990-11	SHORT CHIP 0
R103	1-218-990-11	SHORT CHIP 0
R116	1-218-953-11	RES-CHIP 1K 5% 1/16W
R117	1-218-953-11	RES-CHIP 1K 5% 1/16W
R118	1-218-953-11	RES-CHIP 1K 5% 1/16W
R119	1-218-953-11	RES-CHIP 1K 5% 1/16W
R120	1-218-953-11	RES-CHIP 1K 5% 1/16W
R121	1-218-953-11	RES-CHIP 1K 5% 1/16W
R122	1-218-966-11	RES-CHIP 12K 5% 1/16W
R123	1-218-964-11	RES-CHIP 8.2K 5% 1/16W
R124	1-218-966-11	RES-CHIP 12K 5% 1/16W
R125	1-218-964-11	RES-CHIP 8.2K 5% 1/16W
R126	1-218-966-11	RES-CHIP 12K 5% 1/16W
R127	1-218-964-11	RES-CHIP 8.2K 5% 1/16W
R149	1-218-990-11	SHORT CHIP 0
R150	1-218-990-11	SHORT CHIP 0
R151	1-218-990-11	SHORT CHIP 0
R155	1-218-990-11	SHORT CHIP 0
R156	1-218-990-11	SHORT CHIP 0
R157	1-218-990-11	SHORT CHIP 0
R158	1-218-990-11	SHORT CHIP 0
R159	1-218-990-11	SHORT CHIP 0
R160	1-218-990-11	SHORT CHIP 0
R161	1-218-990-11	SHORT CHIP 0
R162	1-218-990-11	SHORT CHIP 0
R163	1-218-990-11	SHORT CHIP 0

A-1081-942-A DA-033 BOARD, COMPLETE

 (Ref.No.:40,000 Serie)

< CAPACITOR >

C101	1-165-908-11	CERAMIC CHIP 1uF 10% 10V
C102	1-165-908-11	CERAMIC CHIP 1uF 10% 10V
C103	1-125-777-11	CERAMIC CHIP 0.1uF 10% 10V
C104	1-125-777-11	CERAMIC CHIP 0.1uF 10% 10V
C105	1-125-777-11	CERAMIC CHIP 0.1uF 10% 10V

Be sure to read "Precautions upon replacing CCD imager" on page 4-5 when changing the CCD imager.

CCD	"	4-6
"CCD	"	

Ref. No.	Part No.	Description			
		< COIL >			
L101	1-419-354-21	INDUCTOR	22uH		
L102	1-419-311-21	INDUCTOR	100uH		
L103	1-416-758-21	INDUCTOR	22uH		
L104	1-419-354-21	INDUCTOR	22uH		
L105	1-419-354-21	INDUCTOR	22uH		
L106	1-411-705-11	INDUCTOR	22uH		
L107	1-419-354-21	INDUCTOR	22uH		
L108	1-416-758-21	INDUCTOR	22uH		
L109	1-469-757-21	INDUCTOR	10uH		
L110	1-469-561-21	INDUCTOR	100uH		
L111	1-469-549-21	INDUCTOR	1uH		
L112	1-469-555-21	INDUCTOR	10uH		
L113	1-469-549-21	INDUCTOR	1uH		
L114	1-469-549-21	INDUCTOR	1uH		
L115	1-469-555-21	INDUCTOR	10uH		
L116	1-469-553-21	INDUCTOR	4.7uH		
L118	1-469-847-11	INDUCTOR	100uH		
L119	1-469-555-21	INDUCTOR	10uH		
L120	1-469-549-21	INDUCTOR	1uH		
L121	1-469-549-21	INDUCTOR	1uH		
L122	1-469-555-21	INDUCTOR	10uH		
L124	1-469-555-21	INDUCTOR	10uH		
L125	1-469-549-21	INDUCTOR	1uH		
		< TRANSISTOR >			
Q101	8-729-037-74	TRANSISTOR	UN9213J-(TX).SO		
Q102	6-550-714-01	TRANSISTOR	SCH1406-TL-E		
Q103	8-729-054-72	TRANSISTOR	CPH6402-TL-E		
Q104	6-550-714-01	TRANSISTOR	SCH1406-TL-E		
Q105	6-550-714-01	TRANSISTOR	SCH1406-TL-E		
Q106	6-550-714-01	TRANSISTOR	SCH1406-TL-E		
Q107	8-729-054-72	TRANSISTOR	CPH6402-TL-E		
Q108	6-550-533-01	TRANSISTOR	MCH5819-TL-E		
Q109	6-550-532-01	TRANSISTOR	MCH5818-TL-E		
Q111	8-729-054-72	TRANSISTOR	CPH6402-TL-E		
Q112	6-550-675-01	TRANSISTOR	SSM6K30FE (TPLR3)		
Q113	6-550-713-01	TRANSISTOR	SCH2816-TL-E		
Q114	6-550-713-01	TRANSISTOR	SCH2816-TL-E		
Q115	8-729-054-72	TRANSISTOR	CPH6402-TL-E		
Q116	8-729-049-25	TRANSISTOR	2SC5376F-B (TPL3)		
Q117	6-550-713-01	TRANSISTOR	SCH2816-TL-E		
Q118	8-729-037-63	TRANSISTOR	UN9115J-(TX).SO		
		< RESISTOR >			
R101	1-218-990-11	SHORT CHIP	0		
R102	1-218-941-81	RES-CHIP	100	5%	1/16W
R104	1-208-911-11	METAL CHIP	10K	0.5%	1/16W
R105	1-216-789-11	METAL CHIP	2.2	5%	1/10W
R106	1-218-990-11	SHORT CHIP	0		
R107	1-218-961-11	RES-CHIP	4.7K	5%	1/16W
R108	1-218-977-11	RES-CHIP	100K	5%	1/16W
R109	1-218-990-11	SHORT CHIP	0		
R110	1-218-969-11	RES-CHIP	22K	5%	1/16W
R111	1-218-979-11	RES-CHIP	150K	5%	1/16W

Ref. No.	Part No.	Description			
R112	1-218-990-11	SHORT CHIP	0		
R113	1-218-973-11	RES-CHIP	47K	5%	1/16W
R114	1-218-990-11	SHORT CHIP	0		
R115	1-218-957-11	RES-CHIP	2.2K	5%	1/16W
R116	1-218-969-11	RES-CHIP	22K	5%	1/16W
R117	1-218-981-11	RES-CHIP	220K	5%	1/16W
R118	1-218-969-11	RES-CHIP	22K	5%	1/16W
R119	1-218-975-11	RES-CHIP	68K	5%	1/16W
R120	1-218-959-11	RES-CHIP	3.3K	5%	1/16W
R121	1-218-971-11	RES-CHIP	33K	5%	1/16W
R122	1-218-979-11	RES-CHIP	150K	5%	1/16W
R123	1-208-699-11	METAL CHIP	4.7K	0.5%	1/16W
R124	1-208-909-11	METAL CHIP	8.2K	0.5%	1/16W
R125	1-208-699-11	METAL CHIP	4.7K	0.5%	1/16W
R126	1-218-990-11	SHORT CHIP	0		
R127	1-218-990-11	SHORT CHIP	0		
R128	1-218-990-11	SHORT CHIP	0		
R129	1-218-990-11	SHORT CHIP	0		
R130	1-218-990-11	SHORT CHIP	0		
R131	1-218-990-11	SHORT CHIP	0		
R132	1-218-990-11	SHORT CHIP	0		
R133	1-218-990-11	SHORT CHIP	0		
R134	1-218-990-11	SHORT CHIP	0		
R135	1-218-990-11	SHORT CHIP	0		
R136	1-218-990-11	SHORT CHIP	0		
R137	1-218-990-11	SHORT CHIP	0		
R138	1-218-990-11	SHORT CHIP	0		
R139	1-218-990-11	SHORT CHIP	0		
R140	1-218-990-11	SHORT CHIP	0		
R141	1-220-803-81	RES-CHIP	4.7	5%	1/16W
R142	1-218-990-11	SHORT CHIP	0		
R143	1-218-990-11	SHORT CHIP	0		
R144	1-218-990-11	SHORT CHIP	0		
R145	1-218-990-11	SHORT CHIP	0		

A-1081-943-A DB-018 BOARD, COMPLETE

 (Ref.No.:40,000 Serie)

< CAPACITOR >

C201	1-165-908-11	CERAMIC CHIP	1uF	10%	10V
C202	1-165-908-11	CERAMIC CHIP	1uF	10%	10V
C203	1-125-777-11	CERAMIC CHIP	0.1uF	10%	10V
C204	1-125-777-11	CERAMIC CHIP	0.1uF	10%	10V
C205	1-125-777-11	CERAMIC CHIP	0.1uF	10%	10V
C206	1-119-923-11	CERAMIC CHIP	0.047uF	10%	10V
C207	1-107-826-11	CERAMIC CHIP	0.1uF	10%	16V
C208	1-164-230-11	CERAMIC CHIP	220PF	5%	50V
C209	1-125-777-11	CERAMIC CHIP	0.1uF	10%	10V
C210	1-104-851-11	TANTAL. CHIP	10uF	20%	10V
C211	1-165-908-11	CERAMIC CHIP	1uF	10%	10V
C212	1-164-858-11	CERAMIC CHIP	22PF	5%	50V
C213	1-107-826-11	CERAMIC CHIP	0.1uF	10%	16V
C214	1-164-937-11	CERAMIC CHIP	0.001uF	10%	50V
C215	1-164-935-11	CERAMIC CHIP	470PF	10%	50V
C216	1-127-772-81	CERAMIC CHIP	33000PF	10%	10V
C217	1-164-935-11	CERAMIC CHIP	470PF	10%	50V
C218	1-125-777-11	CERAMIC CHIP	0.1uF	10%	10V
C219	1-164-935-11	CERAMIC CHIP	470PF	10%	50V
C220	1-164-943-11	CERAMIC CHIP	0.01uF	10%	16V

Ref. No.	Part No.	Description	Ref. No.	Part No.	Description
C221	1-164-943-11	CERAMIC CHIP 0.01uF 10% 16V	C282	1-100-875-91	TANTAL. CHIP 100uF 20% 6.3V
C222	1-164-943-11	CERAMIC CHIP 0.01uF 10% 16V	C283	1-165-908-11	CERAMIC CHIP 1uF 10% 10V
C223	1-127-772-81	CERAMIC CHIP 33000PF 10% 10V	C284	1-164-866-11	CERAMIC CHIP 47PF 5% 50V
C224	1-125-889-91	CERAMIC CHIP 2.2uF 10% 10V	C287	1-137-910-11	TANTAL. CHIP 10uF 20% 16V
C225	1-165-908-11	CERAMIC CHIP 1uF 10% 10V	C288	1-125-889-91	CERAMIC CHIP 2.2uF 10% 10V
(Suffix of Board Part No.: -13)					
C226	1-125-889-91	CERAMIC CHIP 2.2uF 10% 10V	C289	1-125-889-91	CERAMIC CHIP 2.2uF 10% 10V
C227	1-125-889-91	CERAMIC CHIP 2.2uF 10% 10V	C290	1-100-670-11	CERAMIC CHIP 4.7uF 20% 16V
C228	1-125-889-91	CERAMIC CHIP 2.2uF 10% 10V	C296	1-165-908-11	CERAMIC CHIP 1uF 10% 10V
C229	1-125-889-91	CERAMIC CHIP 2.2uF 10% 10V	(Suffix of Board Part No.: -14)		
C230	1-125-889-91	CERAMIC CHIP 2.2uF 10% 10V	C301	1-107-819-11	CERAMIC CHIP 0.022uF 10% 16V
C231	1-125-889-91	CERAMIC CHIP 2.2uF 10% 10V	C302	1-127-715-91	CERAMIC CHIP 0.22uF 10% 16V
C232	1-125-889-91	CERAMIC CHIP 2.2uF 10% 10V	C303	1-127-715-91	CERAMIC CHIP 0.22uF 10% 16V
C233	1-127-861-11	CERAMIC CHIP 2.2uF 10% 16V	C304	1-165-908-11	CERAMIC CHIP 1uF 10% 10V
C234	1-100-503-11	CERAMIC CHIP 4.7uF 20% 10V	C305	1-164-933-11	CERAMIC CHIP 220PF 10% 50V
C235	1-125-827-91	CERAMIC CHIP 1uF 10% 25V	C306	1-164-937-11	CERAMIC CHIP 0.001uF 10% 50V
C236	1-125-827-91	CERAMIC CHIP 1uF 10% 25V	C307	1-165-908-11	CERAMIC CHIP 1uF 10% 10V
C237	1-165-908-11	CERAMIC CHIP 1uF 10% 10V	C309	1-127-715-91	CERAMIC CHIP 0.22uF 10% 16V
C238	1-127-861-11	CERAMIC CHIP 2.2uF 10% 16V	C310	1-127-715-91	CERAMIC CHIP 0.22uF 10% 16V
C239	1-127-760-11	CERAMIC CHIP 4.7uF 10% 6.3V	C311	1-119-751-11	TANTAL. CHIP 22uF 20% 16V
C240	1-127-760-11	CERAMIC CHIP 4.7uF 10% 6.3V	C312	1-115-467-11	CERAMIC CHIP 0.22uF 10% 10V
C241	1-127-760-11	CERAMIC CHIP 4.7uF 10% 6.3V	C313	1-109-935-11	TANTAL. CHIP 4.7uF 20% 6.3V
C242	1-127-760-11	CERAMIC CHIP 4.7uF 10% 6.3V	C314	1-125-777-11	CERAMIC CHIP 0.1uF 10% 10V
C243	1-127-760-11	CERAMIC CHIP 4.7uF 10% 6.3V	C315	1-127-715-91	CERAMIC CHIP 0.22uF 10% 16V
C244	1-127-760-11	CERAMIC CHIP 4.7uF 10% 6.3V	C316	1-125-777-11	CERAMIC CHIP 0.1uF 10% 10V
C245	1-127-760-11	CERAMIC CHIP 4.7uF 10% 6.3V	C317	1-104-919-11	TANTAL. CHIP 10uF 20% 25V
C246	1-115-566-11	CERAMIC CHIP 4.7uF 10% 10V	C318	1-115-340-11	CERAMIC CHIP 0.22uF 10% 25V
C247	1-131-862-91	TANTAL. CHIP 47uF 20% 4V	C319	1-115-340-11	CERAMIC CHIP 0.22uF 10% 25V
C248	1-131-862-91	TANTAL. CHIP 47uF 20% 4V	C320	1-104-920-11	TANTAL. CHIP 4.7uF 20% 35V
C249	1-131-862-91	TANTAL. CHIP 47uF 20% 4V	C321	1-104-920-11	TANTAL. CHIP 4.7uF 20% 35V
C250	1-100-875-91	TANTAL. CHIP 100uF 20% 6.3V	C322	1-115-340-11	CERAMIC CHIP 0.22uF 10% 25V
C251	1-125-827-91	CERAMIC CHIP 1uF 10% 25V	C323	1-115-340-11	CERAMIC CHIP 0.22uF 10% 25V
C252	1-125-827-91	CERAMIC CHIP 1uF 10% 25V	C324	1-104-920-11	TANTAL. CHIP 4.7uF 20% 35V
C253	1-125-827-91	CERAMIC CHIP 1uF 10% 25V	C325	1-104-920-11	TANTAL. CHIP 4.7uF 20% 35V
C254	1-125-827-91	CERAMIC CHIP 1uF 10% 25V	C401	1-125-777-11	CERAMIC CHIP 0.1uF 10% 10V
C255	1-125-827-91	CERAMIC CHIP 1uF 10% 25V	C402	1-164-874-11	CERAMIC CHIP 100PF 5% 50V
C256	1-127-715-91	CERAMIC CHIP 0.22uF 10% 16V	C404	1-127-573-11	CERAMIC CHIP 1uF 10% 16V
C257	1-165-176-11	CERAMIC CHIP 0.047uF 10% 16V	< CONNECTOR >		
C258	1-165-884-91	CERAMIC CHIP 2.2uF 10% 6.3V	CN201	1-816-464-11	CONNECTOR BOAR TO BOARD 100P
C259	1-165-884-91	CERAMIC CHIP 2.2uF 10% 6.3V	CN203	1-691-550-11	PIN, CONNECTOR (1.5MM) (SMD) 3P
C260	1-125-827-91	CERAMIC CHIP 1uF 10% 25V	CN204	1-573-290-21	PIN, CONNECTOR (1.5MM) (SMD) 4P
C261	1-165-884-91	CERAMIC CHIP 2.2uF 10% 6.3V	CN205	1-695-323-21	CONNECTOR, BOARD TO BOARD 28P
C262	1-165-884-91	CERAMIC CHIP 2.2uF 10% 6.3V	CN206	1-779-338-51	CONNECTOR, FFC/FPC 28P
C263	1-165-884-91	CERAMIC CHIP 2.2uF 10% 6.3V	CN207	1-779-327-11	CONNECTOR, FFC/FPC 6P
C264	1-165-884-91	CERAMIC CHIP 2.2uF 10% 6.3V	< DIODE >		
C265	1-165-176-11	CERAMIC CHIP 0.047uF 10% 16V	D203	8-719-046-85	DIODE MA2S728
C266	1-100-566-91	CERAMIC CHIP 0.1uF 10% 25V	D204	8-719-066-33	DIODE RB081L-20TE25
C267	1-165-884-91	CERAMIC CHIP 2.2uF 10% 6.3V	D205	8-719-085-52	DIODE SBS806M-TL-E
C268	1-165-176-11	CERAMIC CHIP 0.047uF 10% 16V	D206	8-719-066-33	DIODE RB081L-20TE25
C269	1-165-908-11	CERAMIC CHIP 1uF 10% 10V	D207	8-719-085-52	DIODE SBS806M-TL-E
C270	1-137-910-11	TANTAL. CHIP 10uF 20% 16V	D208	8-719-421-67	DIODE MA132WK
C271	1-137-910-11	TANTAL. CHIP 10uF 20% 16V	D303	8-719-421-67	DIODE MA132WK
C272	1-137-910-11	TANTAL. CHIP 10uF 20% 16V	D304	8-719-056-59	DIODE MAZS120008S0
C273	1-113-991-11	TANTAL. CHIP 33uF 20% 16V	D305	8-719-056-59	DIODE MAZS120008S0
C274	1-137-910-11	TANTAL. CHIP 10uF 20% 16V	D306	8-719-056-59	DIODE MAZS120008S0
C275	1-100-875-91	TANTAL. CHIP 100uF 20% 6.3V	D307	8-719-056-59	DIODE MAZS120008S0
C276	1-100-875-91	TANTAL. CHIP 100uF 20% 6.3V	D308	8-719-056-59	DIODE MAZS120008S0
C277	1-100-875-91	TANTAL. CHIP 100uF 20% 6.3V	D309	8-719-062-16	DIODE 01ZA8.2 (TPL3)
C278	1-100-875-91	TANTAL. CHIP 100uF 20% 6.3V	D310	8-719-987-21	DIODE SB02-09CP-TB-E
C279	1-127-861-11	CERAMIC CHIP 2.2uF 10% 16V	D311	8-719-056-59	DIODE MAZS120008S0
C280	1-100-875-91	TANTAL. CHIP 100uF 20% 6.3V			

Ref. No.	Part No.	Description	Ref. No.	Part No.	Description
D312	8-719-056-23	DIODE MA2S111-(K8).SO	L216	1-469-555-21	INDUCTOR 10uH
D313	8-719-056-23	DIODE MA2S111-(K8).SO	L217	1-469-555-21	INDUCTOR 10uH
D314	8-719-027-76	DIODE 1SS357-TPH3	L218	1-469-549-21	INDUCTOR 1uH
D315	8-719-027-76	DIODE 1SS357-TPH3	L219	1-469-555-21	INDUCTOR 10uH
		< FUSE >	L220	1-469-555-21	INDUCTOR 10uH
△F201	1-576-406-21	FUSE 1.4A/32V	L221	1-469-555-21	INDUCTOR 10uH
△F202	1-576-406-21	FUSE 1.4A/32V	L222	1-469-549-21	INDUCTOR 1uH
△F203	1-576-406-21	FUSE 1.4A/32V	L223	1-469-549-21	INDUCTOR 1uH
△F204	1-576-406-21	FUSE 1.4A/32V	L224	1-469-551-21	INDUCTOR 2.2uH
△F205	1-576-406-21	FUSE 1.4A/32V	L225	1-469-555-21	INDUCTOR 10uH
△F206	1-576-406-21	FUSE 1.4A/32V	L226	1-469-549-21	INDUCTOR 1uH
△F302	1-576-406-21	FUSE 1.4A/32V	L227	1-469-549-21	INDUCTOR 1uH
		< FERRITE BEAD >	L228	1-469-555-21	INDUCTOR 10uH
FB207	1-414-864-11	FERRITE, EMI (SMD) (1608)	L301	1-412-058-11	INDUCTOR 10uH
		< FLUORESCENT INDICATOR >	L302	1-416-670-51	INDUCTOR 33uH
FL301	1-400-259-21	FILTER, EMI	L303	1-414-402-11	INDUCTOR 47uH
FL302	1-400-259-21	FILTER, EMI			< TRANSISTOR >
		< IC >	Q201	8-729-037-74	TRANSISTOR UN9213J-(TX).SO
IC201	6-706-539-01	IC AN30205A-VB	Q202	6-550-006-01	TRANSISTOR UN911BJ-(K8).SO
IC202	8-759-387-30	IC TA75S01F (T5RSONY1)	Q203	8-729-054-72	TRANSISTOR CPH6402-TL-E
IC306	8-759-521-35	IC TL5001CD	Q204	6-550-714-01	TRANSISTOR SCH1406-TL-E
IC307	6-707-208-01	IC TK11100CSCB-G	Q205	8-729-054-72	TRANSISTOR CPH6402-TL-E
		< JUMPER >	Q206	6-550-714-01	TRANSISTOR SCH1406-TL-E
JS203	1-216-864-11	SHORT CHIP 0	Q207	6-550-714-01	TRANSISTOR SCH1406-TL-E
JS207	1-216-864-11	SHORT CHIP 0	Q208	6-550-714-01	TRANSISTOR SCH1406-TL-E
JS208	1-216-864-11	SHORT CHIP 0	Q209	6-550-714-01	TRANSISTOR SCH1406-TL-E
JS209	1-216-864-11	SHORT CHIP 0	Q210	6-550-714-01	TRANSISTOR SCH1406-TL-E
JS210	1-216-864-11	SHORT CHIP 0	Q211	8-729-056-02	TRANSISTOR MCH5804-TL-E
JS211	1-216-864-11	SHORT CHIP 0	Q212	8-729-056-72	TRANSISTOR MCH5805-TL-E
JS212	1-216-864-11	SHORT CHIP 0	Q213	8-729-054-72	TRANSISTOR CPH6402-TL-E
JS213	1-216-864-11	SHORT CHIP 0	Q214	8-729-054-72	TRANSISTOR CPH6402-TL-E
JS214	1-218-990-11	SHORT CHIP 0	Q215	6-550-713-01	TRANSISTOR SCH2816-TL-E
JS215	1-216-864-11	SHORT CHIP 0	Q216	6-550-713-01	TRANSISTOR SCH2816-TL-E
JS217	1-216-864-11	SHORT CHIP 0	Q217	6-550-713-01	TRANSISTOR SCH2816-TL-E
JS218	1-218-990-11	SHORT CHIP 0	Q218	6-550-713-01	TRANSISTOR SCH2816-TL-E
JS220	1-218-990-11	SHORT CHIP 0	Q219	6-550-713-01	TRANSISTOR SCH2816-TL-E
		< COIL >	Q220	6-550-713-01	TRANSISTOR SCH2816-TL-E
L201	1-419-354-21	INDUCTOR 22uH	Q221	8-729-049-25	TRANSISTOR 2SC5376F-B (TPL3)
L202	1-419-311-21	INDUCTOR 100uH	Q222	8-729-037-63	TRANSISTOR UN9115J-(TX).SO
L203	1-469-553-21	INDUCTOR 4.7uH	Q304	8-729-047-68	TRANSISTOR SSM3K03FE (TPL3)
L204	1-419-354-21	INDUCTOR 22uH	Q307	6-550-404-01	TRANSISTOR UPA1858GR-9JG-E2-A
L205	1-419-354-21	INDUCTOR 22uH	Q310	8-729-043-60	TRANSISTOR CPH6102-TL-E
L206	1-416-758-21	INDUCTOR 22uH	Q311	6-550-119-01	TRANSISTOR DTC144EMT2L
L207	1-416-758-21	INDUCTOR 22uH	Q312	8-729-047-68	TRANSISTOR SSM3K03FE (TPL3)
L208	1-416-670-51	INDUCTOR 33uH	Q313	8-729-033-65	TRANSISTOR 2SJ204-T1B
L209	1-419-354-21	INDUCTOR 22uH	Q314	8-729-017-65	TRANSISTOR 2SK1764KY
L210	1-419-354-21	INDUCTOR 22uH	Q401	8-729-117-32	TRANSISTOR 2SC4177-L6
L211	1-419-354-21	INDUCTOR 22uH			
L212	1-469-847-11	INDUCTOR 100uH			
L213	1-469-561-21	INDUCTOR 100uH			
L214	1-469-549-21	INDUCTOR 1uH			
L215	1-469-555-21	INDUCTOR 10uH			

The components identified by mark △ or dotted line with mark △ are critical for safety.
Replace only with part number specified.

Les composants identifiés par une marque △ sont critiques pour la sécurité.
Ne les remplacer que par une pièce portant le numéro spécifié.

△

△

Ref. No.	Part No.	Description
Q402	8-729-117-32	TRANSISTOR 2SC4177-L6
Q403	8-729-117-32	TRANSISTOR 2SC4177-L6
Q404	8-729-041-23	TRANSISTOR NDS356AP
Q405	8-729-117-32	TRANSISTOR 2SC4177-L6
Q406	8-729-140-63	TRANSISTOR 2SA1611-M5M6
Q407	6-550-037-01	TRANSISTOR NTGS3455T1
Q408	8-729-037-74	TRANSISTOR UN9213J-(TX).SO
Q409	8-729-117-32	TRANSISTOR 2SC4177-L6
< RESISTOR >		
R202	1-208-911-11	METAL CHIP 10K 0.5% 1/16W
R203	1-216-789-11	METAL CHIP 2.2 5% 1/10W
R204	1-218-990-11	SHORT CHIP 0
R205	1-218-961-11	RES-CHIP 4.7K 5% 1/16W
R206	1-218-977-11	RES-CHIP 100K 5% 1/16W
R207	1-218-990-11	SHORT CHIP 0
R208	1-218-990-11	SHORT CHIP 0
R209	1-218-990-11	SHORT CHIP 0
R210	1-218-965-11	RES-CHIP 10K 5% 1/16W
R211	1-218-973-11	RES-CHIP 47K 5% 1/16W
R212	1-218-961-11	RES-CHIP 4.7K 5% 1/16W
R213	1-218-990-11	SHORT CHIP 0
R214	1-218-977-11	RES-CHIP 100K 5% 1/16W
R215	1-218-990-11	SHORT CHIP 0
R216	1-218-953-11	RES-CHIP 1K 5% 1/16W
R217	1-218-973-11	RES-CHIP 47K 5% 1/16W
R218	1-218-965-11	RES-CHIP 10K 5% 1/16W
R219	1-218-977-11	RES-CHIP 100K 5% 1/16W
R220	1-218-965-11	RES-CHIP 10K 5% 1/16W
R225	1-218-970-11	RES-CHIP 27K 5% 1/16W
R226	1-218-959-11	RES-CHIP 3.3K 5% 1/16W
R227	1-218-979-11	RES-CHIP 150K 5% 1/16W
R228	1-218-989-11	RES-CHIP 1M 5% 1/16W
R229	1-208-699-11	METAL CHIP 4.7K 0.5% 1/16W
R230	1-208-935-11	METAL CHIP 100K 0.5% 1/16W
R231	1-218-968-11	RES-CHIP 18K 5% 1/16W
R232	1-218-990-11	SHORT CHIP 0
R233	1-218-990-11	SHORT CHIP 0
R234	1-218-990-11	SHORT CHIP 0
R235	1-218-990-11	SHORT CHIP 0
R236	1-218-990-11	SHORT CHIP 0
R237	1-218-990-11	SHORT CHIP 0
R238	1-218-990-11	SHORT CHIP 0
R239	1-218-990-11	SHORT CHIP 0
R240	1-218-990-11	SHORT CHIP 0
R241	1-218-990-11	SHORT CHIP 0
R242	1-218-990-11	SHORT CHIP 0
R243	1-218-990-11	SHORT CHIP 0
R244	1-218-990-11	SHORT CHIP 0
R245	1-218-990-11	SHORT CHIP 0
R246	1-218-951-11	RES-CHIP 680 5% 1/16W
R247	1-218-951-11	RES-CHIP 680 5% 1/16W
R249	1-220-803-81	RES-CHIP 4.7 5% 1/16W
R250	1-208-695-11	METAL CHIP 3.3K 0.5% 1/16W
R251	1-208-911-11	METAL CHIP 10K 0.5% 1/16W
R252	1-218-990-11	SHORT CHIP 0
R257	1-218-990-11	SHORT CHIP 0
R262	1-218-990-11	SHORT CHIP 0
R265	1-218-990-11	SHORT CHIP 0
R266	1-218-990-11	SHORT CHIP 0

Ref. No.	Part No.	Description
R267	1-218-990-11	SHORT CHIP 0
R268	1-100-611-91	CERAMIC CHIP 22uF 20% 6.3V
R307	1-218-977-11	RES-CHIP 100K 5% 1/16W
R308	1-218-953-11	RES-CHIP 1K 5% 1/16W
R311	1-218-989-11	RES-CHIP 1M 5% 1/16W
R312	1-208-935-11	METAL CHIP 100K 0.5% 1/16W
R313	1-218-990-11	SHORT CHIP 0
R314	1-208-923-11	METAL CHIP 33K 0.5% 1/16W
R317	1-216-150-91	RES-CHIP 10 5% 1/8W
R318	1-218-953-11	RES-CHIP 1K 5% 1/16W
R319	1-218-961-11	RES-CHIP 4.7K 5% 1/16W
R320	1-218-978-11	RES-CHIP 120K 5% 1/16W
R321	1-218-990-11	SHORT CHIP 0
R322	1-218-978-11	RES-CHIP 120K 5% 1/16W
R323	1-218-981-11	RES-CHIP 220K 5% 1/16W
R324	1-218-957-11	RES-CHIP 2.2K 5% 1/16W
R325	1-218-957-11	RES-CHIP 2.2K 5% 1/16W
R326	1-218-957-11	RES-CHIP 2.2K 5% 1/16W
R328	1-208-715-11	METAL CHIP 22K 0.5% 1/16W
R329	1-208-911-11	METAL CHIP 10K 0.5% 1/16W
R330	1-208-909-11	METAL CHIP 8.2K 0.5% 1/16W
R331	1-208-683-11	METAL CHIP 1K 0.5% 1/16W
R401	1-218-985-11	RES-CHIP 470K 5% 1/16W
R402	1-218-957-11	RES-CHIP 2.2K 5% 1/16W
R403	1-218-965-11	RES-CHIP 10K 5% 1/16W
R404	1-218-961-11	RES-CHIP 4.7K 5% 1/16W
R405	1-218-977-11	RES-CHIP 100K 5% 1/16W
R406	1-218-973-11	RES-CHIP 47K 5% 1/16W
R407	1-218-941-81	RES-CHIP 100 5% 1/16W
R408	1-218-990-11	SHORT CHIP 0
R409	1-218-965-11	RES-CHIP 10K 5% 1/16W
R410	1-218-989-11	RES-CHIP 1M 5% 1/16W
R411	1-218-953-11	RES-CHIP 1K 5% 1/16W
R412	1-216-833-11	METAL CHIP 10K 5% 1/10W
R413	1-218-990-11	SHORT CHIP 0
< SWITCH >		
S201	1-762-650-21	SWITCH, SLIDE
< VARISTOR >		
VDR301	1-801-862-11	VARISTOR, CHIP (1608)
A-1091-890-A VC-367 BOARD, COMPLETE (SERVICE) ***** (Ref.No.:10,000 Serie)		
< CAPACITOR >		
C001	1-164-937-11	CERAMIC CHIP 0.001uF 10% 50V
C0002	1-164-937-11	CERAMIC CHIP 0.001uF 10% 50V
C1001	1-137-739-91	TANTAL. CHIP 22uF 20% 6.3V
C1002	1-100-442-91	TANTAL. CHIP 10uF 20% 6.3V
C1003	1-119-751-11	TANTAL. CHIP 22uF 20% 16V
C1004	1-137-739-91	TANTAL. CHIP 22uF 20% 6.3V
C1005	1-100-442-91	TANTAL. CHIP 10uF 20% 6.3V
C1006	1-137-739-91	TANTAL. CHIP 22uF 20% 6.3V
C1007	1-137-739-91	TANTAL. CHIP 22uF 20% 6.3V
C1008	1-164-227-11	CERAMIC CHIP 0.022uF 10% 25V

Ref. No.	Part No.	Description				Ref. No.	Part No.	Description			
C1009	1-113-987-11	TANTAL. CHIP	4.7uF	20%	25V	C1317	1-100-442-91	TANTAL. CHIP	10uF	20%	6.3V
C1010	1-113-987-11	TANTAL. CHIP	4.7uF	20%	25V	C1318	1-125-777-11	CERAMIC CHIP	0.1uF	10%	10V
C1011	1-113-987-11	TANTAL. CHIP	4.7uF	20%	25V	C1319	1-125-777-11	CERAMIC CHIP	0.1uF	10%	10V
C1012	1-113-987-11	TANTAL. CHIP	4.7uF	20%	25V	C1320	1-164-943-11	CERAMIC CHIP	0.01uF	10%	16V
C1013	1-113-987-11	TANTAL. CHIP	4.7uF	20%	25V	C1321	1-164-943-11	CERAMIC CHIP	0.01uF	10%	16V
C1014	1-113-987-11	TANTAL. CHIP	4.7uF	20%	25V	C1322	1-128-964-91	TANTAL. CHIP	100uF	20%	6.3V
C1015	1-113-987-11	TANTAL. CHIP	4.7uF	20%	25V	C1323	1-125-777-11	CERAMIC CHIP	0.1uF	10%	10V
C1016	1-162-970-11	CERAMIC CHIP	0.01uF	10%	25V	C1324	1-164-943-11	CERAMIC CHIP	0.01uF	10%	16V
C1017	1-162-970-11	CERAMIC CHIP	0.01uF	10%	25V	C1325	1-164-943-11	CERAMIC CHIP	0.01uF	10%	16V
C1018	1-162-970-11	CERAMIC CHIP	0.01uF	10%	25V	C1326	1-164-943-11	CERAMIC CHIP	0.01uF	10%	16V
C1019	1-113-987-11	TANTAL. CHIP	4.7uF	20%	25V	C1327	1-100-442-91	TANTAL. CHIP	10uF	20%	6.3V
C1101	1-107-689-21	TANTAL. CHIP	1uF	20%	35V	C1328	1-125-777-11	CERAMIC CHIP	0.1uF	10%	10V
C1102	1-107-689-21	TANTAL. CHIP	1uF	20%	35V	C1333	1-125-777-11	CERAMIC CHIP	0.1uF	10%	10V
C1103	1-128-964-91	TANTAL. CHIP	100uF	20%	6.3V	C1334	1-100-442-91	TANTAL. CHIP	10uF	20%	6.3V
C1104	1-119-751-11	TANTAL. CHIP	22uF	20%	16V	C1501	1-110-501-11	CERAMIC CHIP	0.33uF	10%	16V
C1105	1-125-777-11	CERAMIC CHIP	0.1uF	10%	10V	C1502	1-127-988-81	CERAMIC CHIP	15000PF	10%	16V
C1106	1-164-943-11	CERAMIC CHIP	0.01uF	10%	16V	C1503	1-110-501-11	CERAMIC CHIP	0.33uF	10%	16V
C1107	1-164-943-11	CERAMIC CHIP	0.01uF	10%	16V	C1504	1-127-988-81	CERAMIC CHIP	15000PF	10%	16V
C1108	1-164-943-11	CERAMIC CHIP	0.01uF	10%	16V	C1505	1-107-826-11	CERAMIC CHIP	0.1uF	10%	16V
C1109	1-164-943-11	CERAMIC CHIP	0.01uF	10%	16V	C1506	1-107-826-11	CERAMIC CHIP	0.1uF	10%	16V
C1112	1-107-689-21	TANTAL. CHIP	1uF	20%	35V	C1507	1-104-851-11	TANTAL. CHIP	10uF	20%	10V
C1113	1-164-943-11	CERAMIC CHIP	0.01uF	10%	16V	C1508	1-110-569-11	TANTAL. CHIP	47uF	20%	6.3V
C1114	1-125-777-11	CERAMIC CHIP	0.1uF	10%	10V	C1509	1-125-777-11	CERAMIC CHIP	0.1uF	10%	10V
C1115	1-164-943-11	CERAMIC CHIP	0.01uF	10%	16V	C1510	1-164-936-11	CERAMIC CHIP	680PF	10%	50V
C1116	1-164-943-11	CERAMIC CHIP	0.01uF	10%	16V	C1511	1-164-936-11	CERAMIC CHIP	680PF	10%	50V
C1117	1-164-943-11	CERAMIC CHIP	0.01uF	10%	16V	C1512	1-164-941-11	CERAMIC CHIP	0.0047uF	10%	16V
C1118	1-164-943-11	CERAMIC CHIP	0.01uF	10%	16V	C1513	1-125-777-11	CERAMIC CHIP	0.1uF	10%	10V
C1119	1-164-937-11	CERAMIC CHIP	0.001uF	10%	50V	C1514	1-164-941-11	CERAMIC CHIP	0.0047uF	10%	16V
C1120	1-117-919-11	TANTAL. CHIP	10uF	20%	6.3V	C1515	1-100-507-91	CERAMIC CHIP	4.7uF	20%	6.3V
C1122	1-125-777-11	CERAMIC CHIP	0.1uF	10%	10V	C1516	1-110-569-11	TANTAL. CHIP	47uF	20%	6.3V
C1123	1-164-937-11	CERAMIC CHIP	0.001uF	10%	50V	C1517	1-125-777-11	CERAMIC CHIP	0.1uF	10%	10V
C1125	1-117-919-11	TANTAL. CHIP	10uF	20%	6.3V	C1518	1-125-777-11	CERAMIC CHIP	0.1uF	10%	10V
C1126	1-125-777-11	CERAMIC CHIP	0.1uF	10%	10V	C1519	1-125-777-11	CERAMIC CHIP	0.1uF	10%	10V
C1127	1-100-506-91	CERAMIC CHIP	1uF	20%	6.3V	C1520	1-164-935-11	CERAMIC CHIP	470PF	10%	50V
C1128	1-100-506-91	CERAMIC CHIP	1uF	20%	6.3V	C1521	1-164-935-11	CERAMIC CHIP	470PF	10%	50V
C1129	1-100-506-91	CERAMIC CHIP	1uF	20%	6.3V	C1522	1-164-941-11	CERAMIC CHIP	0.0047uF	10%	16V
C1133	1-127-895-91	TANTAL. CHIP	22uF	20%	4V	C1523	1-164-941-11	CERAMIC CHIP	0.0047uF	10%	16V
C1134	1-127-895-91	TANTAL. CHIP	22uF	20%	4V	C1524	1-164-943-11	CERAMIC CHIP	0.01uF	10%	16V
C1135	1-127-895-91	TANTAL. CHIP	22uF	20%	4V	C1525	1-164-943-11	CERAMIC CHIP	0.01uF	10%	16V
C1136	1-125-777-11	CERAMIC CHIP	0.1uF	10%	10V	C1532	1-125-777-11	CERAMIC CHIP	0.1uF	10%	10V
C1137	1-125-777-11	CERAMIC CHIP	0.1uF	10%	10V	C1533	1-125-777-11	CERAMIC CHIP	0.1uF	10%	10V
C1138	1-125-777-11	CERAMIC CHIP	0.1uF	10%	10V	C1534	1-119-923-11	CERAMIC CHIP	0.047uF	10%	10V
C1139	1-125-777-11	CERAMIC CHIP	0.1uF	10%	10V	C1535	1-119-923-11	CERAMIC CHIP	0.047uF	10%	10V
C1140	1-125-777-11	CERAMIC CHIP	0.1uF	10%	10V	C1536	1-164-937-11	CERAMIC CHIP	0.001uF	10%	50V
C1141	1-125-777-11	CERAMIC CHIP	0.1uF	10%	10V	C1537	1-164-937-11	CERAMIC CHIP	0.001uF	10%	50V
C1142	1-125-777-11	CERAMIC CHIP	0.1uF	10%	10V	C1538	1-100-442-91	TANTAL. CHIP	10uF	20%	6.3V
C1143	1-125-777-11	CERAMIC CHIP	0.1uF	10%	10V	C1539	1-125-777-11	CERAMIC CHIP	0.1uF	10%	10V
C1144	1-125-777-11	CERAMIC CHIP	0.1uF	10%	10V	C1540	1-164-940-11	CERAMIC CHIP	0.0033uF	10%	16V
C1145	1-125-777-11	CERAMIC CHIP	0.1uF	10%	10V	C1541	1-107-819-11	CERAMIC CHIP	0.022uF	10%	16V
C1146	1-125-777-11	CERAMIC CHIP	0.1uF	10%	10V	C1542	1-164-943-11	CERAMIC CHIP	0.01uF	10%	16V
C1147	1-125-777-11	CERAMIC CHIP	0.1uF	10%	10V	C1543	1-164-943-11	CERAMIC CHIP	0.01uF	10%	16V
C1306	1-164-943-11	CERAMIC CHIP	0.01uF	10%	16V	C1546	1-107-819-11	CERAMIC CHIP	0.022uF	10%	16V
C1307	1-164-943-11	CERAMIC CHIP	0.01uF	10%	16V	C1547	1-164-940-11	CERAMIC CHIP	0.0033uF	10%	16V
C1308	1-100-442-91	TANTAL. CHIP	10uF	20%	6.3V	C1548	1-100-415-11	CERAMIC CHIP	0.47uF	10%	6.3V
C1310	1-100-442-91	TANTAL. CHIP	10uF	20%	6.3V	C1549	1-100-415-11	CERAMIC CHIP	0.47uF	10%	6.3V
C1312	1-125-777-11	CERAMIC CHIP	0.1uF	10%	10V	C1550	1-164-937-11	CERAMIC CHIP	0.001uF	10%	50V
C1313	1-164-943-11	CERAMIC CHIP	0.01uF	10%	16V	C1551	1-164-937-11	CERAMIC CHIP	0.001uF	10%	50V
C1314	1-125-777-11	CERAMIC CHIP	0.1uF	10%	10V	C1552	1-125-777-11	CERAMIC CHIP	0.1uF	10%	10V
C1315	1-125-777-11	CERAMIC CHIP	0.1uF	10%	10V	C1553	1-125-777-11	CERAMIC CHIP	0.1uF	10%	10V
C1316	1-125-777-11	CERAMIC CHIP	0.1uF	10%	10V	C1554	1-125-777-11	CERAMIC CHIP	0.1uF	10%	10V

Ref. No.	Part No.	Description				Ref. No.	Part No.	Description			
C1555	1-125-777-11	CERAMIC CHIP	0.1uF	10%	10V	C1919	1-100-506-91	CERAMIC CHIP	1uF	20%	6.3V
C1556	1-110-569-11	TANTAL. CHIP	47uF	20%	6.3V	C1920	1-164-937-11	CERAMIC CHIP	0.001uF	10%	50V
C1557	1-125-777-11	CERAMIC CHIP	0.1uF	10%	10V	C1921	1-125-777-11	CERAMIC CHIP	0.1uF	10%	10V
C1558	1-100-442-91	TANTAL. CHIP	10uF	20%	6.3V	C1922	1-164-943-11	CERAMIC CHIP	0.01uF	10%	16V
C1559	1-125-777-11	CERAMIC CHIP	0.1uF	10%	10V	C1923	1-164-943-11	CERAMIC CHIP	0.01uF	10%	16V
C1560	1-104-851-11	TANTAL. CHIP	10uF	20%	10V	C1924	1-164-943-11	CERAMIC CHIP	0.01uF	10%	16V
C1561	1-100-442-91	TANTAL. CHIP	10uF	20%	6.3V	C1925	1-164-943-11	CERAMIC CHIP	0.01uF	10%	16V
C1562	1-128-964-91	TANTAL. CHIP	100uF	20%	6.3V	C1926	1-125-777-11	CERAMIC CHIP	0.1uF	10%	10V
C1563	1-125-777-11	CERAMIC CHIP	0.1uF	10%	10V	C1927	1-164-943-11	CERAMIC CHIP	0.01uF	10%	16V
C1564	1-125-777-11	CERAMIC CHIP	0.1uF	10%	10V	C1928	1-125-777-11	CERAMIC CHIP	0.1uF	10%	10V
C1565	1-164-937-11	CERAMIC CHIP	0.001uF	10%	50V	C1929	1-125-777-11	CERAMIC CHIP	0.1uF	10%	10V
C1566	1-164-937-11	CERAMIC CHIP	0.001uF	10%	50V	C1933	1-100-507-91	CERAMIC CHIP	4.7uF	20%	6.3V
C1567	1-100-442-91	TANTAL. CHIP	10uF	20%	6.3V	C1934	1-100-506-91	CERAMIC CHIP	1uF	20%	6.3V
C1579	1-107-826-11	CERAMIC CHIP	0.1uF	10%	16V	C2022	1-100-539-91	TANTAL. CHIP	47uF	20%	6.3V
C1580	1-127-895-91	TANTAL. CHIP	22uF	20%	4V	C2023	1-137-710-11	CERAMIC CHIP	10uF	20%	6.3V
C1701	1-164-939-11	CERAMIC CHIP	0.0022uF	10%	50V	C2024	1-137-710-11	CERAMIC CHIP	10uF	20%	6.3V
C1703	1-125-777-11	CERAMIC CHIP	0.1uF	10%	10V	C2025	1-125-777-11	CERAMIC CHIP	0.1uF	10%	10V
C1704	1-164-939-11	CERAMIC CHIP	0.0022uF	10%	50V	C2026	1-125-777-11	CERAMIC CHIP	0.1uF	10%	10V
C1706	1-164-939-11	CERAMIC CHIP	0.0022uF	10%	50V	C2027	1-125-777-11	CERAMIC CHIP	0.1uF	10%	10V
C1709	1-117-919-11	TANTAL. CHIP	10uF	20%	6.3V	C2028	1-125-777-11	CERAMIC CHIP	0.1uF	10%	10V
C1710	1-125-777-11	CERAMIC CHIP	0.1uF	10%	10V	C2029	1-125-777-11	CERAMIC CHIP	0.1uF	10%	10V
C1711	1-164-939-11	CERAMIC CHIP	0.0022uF	10%	50V	C2030	1-137-710-11	CERAMIC CHIP	10uF	20%	6.3V
C1712	1-125-777-11	CERAMIC CHIP	0.1uF	10%	10V	C2031	1-125-777-11	CERAMIC CHIP	0.1uF	10%	10V
C1713	1-100-442-91	TANTAL. CHIP	10uF	20%	6.3V	C2032	1-125-777-11	CERAMIC CHIP	0.1uF	10%	10V
C1714	1-165-897-11	TANTAL. CHIP	22uF	20%	10V	C2033	1-125-777-11	CERAMIC CHIP	0.1uF	10%	10V
C1715	1-125-777-11	CERAMIC CHIP	0.1uF	10%	10V	C2034	1-125-777-11	CERAMIC CHIP	0.1uF	10%	10V
C1716	1-125-777-11	CERAMIC CHIP	0.1uF	10%	10V	C2035	1-125-777-11	CERAMIC CHIP	0.1uF	10%	10V
C1717	1-164-939-11	CERAMIC CHIP	0.0022uF	10%	50V	C2036	1-125-777-11	CERAMIC CHIP	0.1uF	10%	10V
C1719	1-125-777-11	CERAMIC CHIP	0.1uF	10%	10V	C2037	1-125-777-11	CERAMIC CHIP	0.1uF	10%	10V
C1720	1-164-939-11	CERAMIC CHIP	0.0022uF	10%	50V	C2038	1-125-777-11	CERAMIC CHIP	0.1uF	10%	10V
C1721	1-117-919-11	TANTAL. CHIP	10uF	20%	6.3V	C2041	1-125-777-11	CERAMIC CHIP	0.1uF	10%	10V
C1722	1-125-777-11	CERAMIC CHIP	0.1uF	10%	10V	C2042	1-125-777-11	CERAMIC CHIP	0.1uF	10%	10V
C1724	1-164-939-11	CERAMIC CHIP	0.0022uF	10%	50V	C2044	1-125-777-11	CERAMIC CHIP	0.1uF	10%	10V
C1727	1-164-939-11	CERAMIC CHIP	0.0022uF	10%	50V	C2046	1-100-611-91	CERAMIC CHIP	22uF	20%	6.3V
C1728	1-125-777-11	CERAMIC CHIP	0.1uF	10%	10V	C2047	1-125-777-11	CERAMIC CHIP	0.1uF	10%	10V
C1729	1-100-442-91	TANTAL. CHIP	10uF	20%	6.3V	C2048	1-125-777-11	CERAMIC CHIP	0.1uF	10%	10V
C1730	1-125-777-11	CERAMIC CHIP	0.1uF	10%	10V	C2049	1-125-777-11	CERAMIC CHIP	0.1uF	10%	10V
C1731	1-125-777-11	CERAMIC CHIP	0.1uF	10%	10V	C2051	1-125-777-11	CERAMIC CHIP	0.1uF	10%	10V
C1732	1-165-897-11	TANTAL. CHIP	22uF	20%	10V	C2052	1-100-611-91	CERAMIC CHIP	22uF	20%	6.3V
C1733	1-125-777-11	CERAMIC CHIP	0.1uF	10%	10V	C2053	1-100-611-91	CERAMIC CHIP	22uF	20%	6.3V
C1734	1-125-777-11	CERAMIC CHIP	0.1uF	10%	10V	C2054	1-100-611-91	CERAMIC CHIP	22uF	20%	6.3V
C1735	1-117-919-11	TANTAL. CHIP	10uF	20%	6.3V	C2055	1-100-611-91	CERAMIC CHIP	22uF	20%	6.3V
C1901	1-125-777-11	CERAMIC CHIP	0.1uF	10%	10V	C2056	1-100-875-91	TANTAL. CHIP	100uF	20%	6.3V
C1902	1-137-710-11	CERAMIC CHIP	10uF	20%	6.3V	C2057	1-164-937-11	CERAMIC CHIP	0.001uF	10%	50V
C1903	1-125-777-11	CERAMIC CHIP	0.1uF	10%	10V	C2058	1-164-937-11	CERAMIC CHIP	0.001uF	10%	50V
C1904	1-137-710-11	CERAMIC CHIP	10uF	20%	6.3V	C2059	1-125-777-11	CERAMIC CHIP	0.1uF	10%	10V
C1905	1-164-943-11	CERAMIC CHIP	0.01uF	10%	16V	C2060	1-125-777-11	CERAMIC CHIP	0.1uF	10%	10V
C1906	1-164-943-11	CERAMIC CHIP	0.01uF	10%	16V	C2061	1-125-777-11	CERAMIC CHIP	0.1uF	10%	10V
C1907	1-125-777-11	CERAMIC CHIP	0.1uF	10%	10V	C2062	1-125-777-11	CERAMIC CHIP	0.1uF	10%	10V
C1908	1-125-837-91	CERAMIC CHIP	1uF	10%	6.3V	C2063	1-100-611-91	CERAMIC CHIP	22uF	20%	6.3V
C1909	1-164-943-11	CERAMIC CHIP	0.01uF	10%	16V	C2064	1-125-777-11	CERAMIC CHIP	0.1uF	10%	10V
C1910	1-125-777-11	CERAMIC CHIP	0.1uF	10%	10V	C2065	1-125-777-11	CERAMIC CHIP	0.1uF	10%	10V
C1911	1-164-850-11	CERAMIC CHIP	10PF	0.5PF	50V	C2066	1-125-777-11	CERAMIC CHIP	0.1uF	10%	10V
C1912	1-164-850-11	CERAMIC CHIP	10PF	0.5PF	50V	C2072	1-164-937-11	CERAMIC CHIP	0.001uF	10%	50V
C1913	1-125-777-11	CERAMIC CHIP	0.1uF	10%	10V	C2073	1-164-937-11	CERAMIC CHIP	0.001uF	10%	50V
C1914	1-125-777-11	CERAMIC CHIP	0.1uF	10%	10V	C2076	1-119-923-11	CERAMIC CHIP	0.047uF	10%	10V
C1915	1-125-777-11	CERAMIC CHIP	0.1uF	10%	10V	C2077	1-164-937-11	CERAMIC CHIP	0.001uF	10%	50V
C1916	1-125-777-11	CERAMIC CHIP	0.1uF	10%	10V	C2078	1-165-884-91	CERAMIC CHIP	2.2uF	10%	6.3V
C1917	1-125-777-11	CERAMIC CHIP	0.1uF	10%	10V	C2090	1-119-923-11	CERAMIC CHIP	0.047uF	10%	10V
C1918	1-125-837-91	CERAMIC CHIP	1uF	10%	6.3V	C2101	1-137-739-91	TANTAL. CHIP	22uF	20%	6.3V

Ref. No.	Part No.	Description				Ref. No.	Part No.	Description			
C3514	1-125-777-11	CERAMIC CHIP	0.1uF	10%	10V	C6007	1-164-943-11	CERAMIC CHIP	0.01uF	10%	16V
C3515	1-125-777-11	CERAMIC CHIP	0.1uF	10%	10V	C6008	1-164-943-11	CERAMIC CHIP	0.01uF	10%	16V
C3516	1-125-777-11	CERAMIC CHIP	0.1uF	10%	10V	C6009	1-164-943-11	CERAMIC CHIP	0.01uF	10%	16V
C3517	1-125-777-11	CERAMIC CHIP	0.1uF	10%	10V	C6010	1-125-777-11	CERAMIC CHIP	0.1uF	10%	10V
C3518	1-125-777-11	CERAMIC CHIP	0.1uF	10%	10V	C6012	1-164-739-11	CERAMIC CHIP	560PF	5%	50V
C3519	1-125-777-11	CERAMIC CHIP	0.1uF	10%	10V	C6013	1-125-838-11	CERAMIC CHIP	2.2uF	10%	6.3V
C3521	1-125-777-11	CERAMIC CHIP	0.1uF	10%	10V	C6014	1-125-777-11	CERAMIC CHIP	0.1uF	10%	10V
C3522	1-125-777-11	CERAMIC CHIP	0.1uF	10%	10V	C6015	1-113-987-11	TANTAL. CHIP	4.7uF	20%	25V
C3523	1-125-777-11	CERAMIC CHIP	0.1uF	10%	10V	C6016	1-164-357-11	CERAMIC CHIP	0.001uF	5%	50V
C3524	1-125-777-11	CERAMIC CHIP	0.1uF	10%	10V	C6017	1-164-943-11	CERAMIC CHIP	0.01uF	10%	16V
C3525	1-125-777-11	CERAMIC CHIP	0.1uF	10%	10V	C6018	1-164-866-11	CERAMIC CHIP	47PF	5%	50V
C3526	1-125-777-11	CERAMIC CHIP	0.1uF	10%	10V	C6019	1-125-838-11	CERAMIC CHIP	2.2uF	10%	6.3V
C3527	1-125-777-11	CERAMIC CHIP	0.1uF	10%	10V	C6020	1-125-838-11	CERAMIC CHIP	2.2uF	10%	6.3V
C4002	1-100-507-91	CERAMIC CHIP	4.7uF	20%	6.3V	C6021	1-125-838-11	CERAMIC CHIP	2.2uF	10%	6.3V
C4003	1-125-777-11	CERAMIC CHIP	0.1uF	10%	10V	C6023	1-115-566-11	CERAMIC CHIP	4.7uF	10%	10V
C4004	1-100-507-91	CERAMIC CHIP	4.7uF	20%	6.3V	C7001	1-137-710-11	CERAMIC CHIP	10uF	20%	6.3V
C4005	1-125-777-11	CERAMIC CHIP	0.1uF	10%	10V	C7002	1-137-710-11	CERAMIC CHIP	10uF	20%	6.3V
C4006	1-125-777-11	CERAMIC CHIP	0.1uF	10%	10V	C7003	1-125-777-11	CERAMIC CHIP	0.1uF	10%	10V
C4008	1-125-777-11	CERAMIC CHIP	0.1uF	10%	10V	C7004	1-125-777-11	CERAMIC CHIP	0.1uF	10%	10V
C4009	1-125-777-11	CERAMIC CHIP	0.1uF	10%	10V	C7130	1-100-507-91	CERAMIC CHIP	4.7uF	20%	6.3V
C4010	1-125-777-11	CERAMIC CHIP	0.1uF	10%	10V	C7131	1-100-507-91	CERAMIC CHIP	4.7uF	20%	6.3V
C4012	1-125-777-11	CERAMIC CHIP	0.1uF	10%	10V	C7132	1-100-507-91	CERAMIC CHIP	4.7uF	20%	6.3V
C4015	1-125-777-11	CERAMIC CHIP	0.1uF	10%	10V	C7133	1-165-897-11	TANTAL. CHIP	22uF	20%	10V
C4016	1-100-507-91	CERAMIC CHIP	4.7uF	20%	6.3V	C7204	1-115-156-11	CERAMIC CHIP	1uF		10V
C4017	1-100-507-91	CERAMIC CHIP	4.7uF	20%	6.3V	C7208	1-117-919-11	TANTAL. CHIP	10uF	20%	6.3V
C4018	1-100-507-91	CERAMIC CHIP	4.7uF	20%	6.3V	C7209	1-100-660-91	CERAMIC CHIP	1uF	10%	10V
C4020	1-125-777-11	CERAMIC CHIP	0.1uF	10%	10V	C7212	1-165-128-11	CERAMIC CHIP	0.22uF		16V
C4021	1-125-777-11	CERAMIC CHIP	0.1uF	10%	10V	C7213	1-165-897-11	TANTAL. CHIP	22uF	20%	10V
C4022	1-125-777-11	CERAMIC CHIP	0.1uF	10%	10V	C7216	1-135-856-91	TANTAL. CHIP	100uF	20%	10V
C5001	1-117-919-11	TANTAL. CHIP	10uF	20%	6.3V	C7217	1-135-856-91	TANTAL. CHIP	100uF	20%	10V
C5002	1-125-777-11	CERAMIC CHIP	0.1uF	10%	10V	C7218	1-164-156-11	CERAMIC CHIP	0.1uF		25V
C5003	1-100-506-91	CERAMIC CHIP	1uF	20%	6.3V	C7221	1-119-751-11	TANTAL. CHIP	22uF	20%	16V
C5004	1-117-919-11	TANTAL. CHIP	10uF	20%	6.3V	C7223	1-125-891-61	CERAMIC CHIP	0.47uF	10%	10V
C5005	1-125-777-11	CERAMIC CHIP	0.1uF	10%	10V	C7224	1-115-467-11	CERAMIC CHIP	0.22uF	10%	10V
C5006	1-117-919-11	TANTAL. CHIP	10uF	20%	6.3V	C7225	1-115-467-11	CERAMIC CHIP	0.22uF	10%	10V
C5007	1-125-777-11	CERAMIC CHIP	0.1uF	10%	10V	C7226	1-115-467-11	CERAMIC CHIP	0.22uF	10%	10V
C5008	1-125-777-11	CERAMIC CHIP	0.1uF	10%	10V	C7227	1-125-891-61	CERAMIC CHIP	0.47uF	10%	10V
C5009	1-100-506-91	CERAMIC CHIP	1uF	20%	6.3V	C7228	1-115-467-11	CERAMIC CHIP	0.22uF	10%	10V
C5010	1-125-777-11	CERAMIC CHIP	0.1uF	10%	10V	C7229	1-115-467-11	CERAMIC CHIP	0.22uF	10%	10V
C5011	1-125-777-11	CERAMIC CHIP	0.1uF	10%	10V	C7230	1-115-467-11	CERAMIC CHIP	0.22uF	10%	10V
C5012	1-125-777-11	CERAMIC CHIP	0.1uF	10%	10V	C7231	1-137-689-91	TANTAL. CHIP	47uF	20%	16V
C5013	1-125-777-11	CERAMIC CHIP	0.1uF	10%	10V	C7232	1-137-689-91	TANTAL. CHIP	47uF	20%	16V
C5014	1-125-777-11	CERAMIC CHIP	0.1uF	10%	10V	C7233	1-164-870-11	CERAMIC CHIP	68PF	5%	50V
C5015	1-125-777-11	CERAMIC CHIP	0.1uF	10%	10V	C7234	1-164-870-11	CERAMIC CHIP	68PF	5%	50V
C5016	1-125-777-11	CERAMIC CHIP	0.1uF	10%	10V	C7235	1-164-936-11	CERAMIC CHIP	680PF	10%	50V
C5017	1-125-777-11	CERAMIC CHIP	0.1uF	10%	10V	C7236	1-164-936-11	CERAMIC CHIP	680PF	10%	50V
C5018	1-125-777-11	CERAMIC CHIP	0.1uF	10%	10V	C7237	1-137-934-91	TANTAL. CHIP	47uF	20%	10V
C5019	1-125-777-11	CERAMIC CHIP	0.1uF	10%	10V	C7239	1-115-467-11	CERAMIC CHIP	0.22uF	10%	10V
C5020	1-125-777-11	CERAMIC CHIP	0.1uF	10%	10V	C7240	1-164-939-11	CERAMIC CHIP	0.0022uF	10%	50V
C5021	1-125-777-11	CERAMIC CHIP	0.1uF	10%	10V	C7241	1-137-689-91	TANTAL. CHIP	47uF	20%	16V
C5022	1-125-777-11	CERAMIC CHIP	0.1uF	10%	10V	C7242	1-128-964-91	TANTAL. CHIP	100uF	20%	6.3V
C5024	1-125-777-11	CERAMIC CHIP	0.1uF	10%	10V	C7243	1-137-934-91	TANTAL. CHIP	47uF	20%	10V
C5025	1-125-777-11	CERAMIC CHIP	0.1uF	10%	10V	C7244	1-135-259-11	TANTAL. CHIP	10uF	20%	6.3V
C5026	1-100-506-91	CERAMIC CHIP	1uF	20%	6.3V	C7246	1-119-751-11	TANTAL. CHIP	22uF	20%	16V
C5027	1-125-777-11	CERAMIC CHIP	0.1uF	10%	10V	C7247	1-115-467-11	CERAMIC CHIP	0.22uF	10%	10V
C5028	1-117-919-11	TANTAL. CHIP	10uF	20%	6.3V	C7248	1-100-507-91	CERAMIC CHIP	4.7uF	20%	6.3V
C6001	1-119-750-11	TANTAL. CHIP	22uF	20%	6.3V	C7249	1-137-710-11	CERAMIC CHIP	10uF	20%	6.3V
C6002	1-125-777-11	CERAMIC CHIP	0.1uF	10%	10V	C7250	1-137-710-11	CERAMIC CHIP	10uF	20%	6.3V
C6005	1-162-970-11	CERAMIC CHIP	0.01uF	10%	25V	C7251	1-137-710-11	CERAMIC CHIP	10uF	20%	6.3V
C6006	1-117-919-11	TANTAL. CHIP	10uF	20%	6.3V	C7252	1-135-259-11	TANTAL. CHIP	10uF	20%	6.3V

Ref. No.	Part No.	Description					Ref. No.	Part No.	Description			
C7253	1-137-710-11	CERAMIC CHIP	10uF	20%	6.3V		C8042	1-164-931-11	CERAMIC CHIP	100PF	10%	50V
C7254	1-137-710-11	CERAMIC CHIP	10uF	20%	6.3V		C8043	1-164-931-11	CERAMIC CHIP	100PF	10%	50V
C7255	1-137-710-11	CERAMIC CHIP	10uF	20%	6.3V		C8044	1-100-506-91	CERAMIC CHIP	1uF	20%	6.3V
C7256	1-100-660-91	CERAMIC CHIP	1uF	10%	10V		C8045	1-107-820-11	CERAMIC CHIP	0.1uF		16V
C7257	1-137-710-11	CERAMIC CHIP	10uF	20%	6.3V		C8046	1-107-820-11	CERAMIC CHIP	0.1uF		16V
C7258	1-100-660-91	CERAMIC CHIP	1uF	10%	10V		C8047	1-107-820-11	CERAMIC CHIP	0.1uF		16V
C7259	1-117-919-11	TANTAL. CHIP	10uF	20%	6.3V		C8048	1-107-820-11	CERAMIC CHIP	0.1uF		16V
C7260	1-117-919-11	TANTAL. CHIP	10uF	20%	6.3V		C8049	1-107-820-11	CERAMIC CHIP	0.1uF		16V
C7261	1-117-919-11	TANTAL. CHIP	10uF	20%	6.3V		C8050	1-107-820-11	CERAMIC CHIP	0.1uF		16V
C7262	1-164-935-11	CERAMIC CHIP	470PF	10%	50V		C8051	1-164-943-11	CERAMIC CHIP	0.01uF	10%	16V
C7263	1-137-710-11	CERAMIC CHIP	10uF	20%	6.3V		C8052	1-107-820-11	CERAMIC CHIP	0.1uF		16V
C7264	1-137-710-11	CERAMIC CHIP	10uF	20%	6.3V		C8053	1-100-507-91	CERAMIC CHIP	4.7uF	20%	6.3V
C7265	1-100-507-91	CERAMIC CHIP	4.7uF	20%	6.3V		C8054	1-137-710-11	CERAMIC CHIP	10uF	20%	6.3V
C7266	1-137-710-11	CERAMIC CHIP	10uF	20%	6.3V		C8055	1-137-710-11	CERAMIC CHIP	10uF	20%	6.3V
C7267	1-100-507-91	CERAMIC CHIP	4.7uF	20%	6.3V		C8056	1-137-710-11	CERAMIC CHIP	10uF	20%	6.3V
C7275	1-137-910-11	TANTAL. CHIP	10uF	20%	16V		C8057	1-100-507-91	CERAMIC CHIP	4.7uF	20%	6.3V
C7277	1-104-851-11	TANTAL. CHIP	10uF	20%	10V		C8058	1-107-820-11	CERAMIC CHIP	0.1uF		16V
C7279	1-104-851-11	TANTAL. CHIP	10uF	20%	10V		C8059	1-107-820-11	CERAMIC CHIP	0.1uF		16V
C7291	1-163-275-11	CERAMIC CHIP	0.001uF	5%	50V		C8060	1-107-820-11	CERAMIC CHIP	0.1uF		16V
C7292	1-163-275-11	CERAMIC CHIP	0.001uF	5%	50V		C8061	1-107-820-11	CERAMIC CHIP	0.1uF		16V
C7293	1-164-939-11	CERAMIC CHIP	0.0022uF	10%	50V		C8062	1-107-820-11	CERAMIC CHIP	0.1uF		16V
C7298	1-137-710-11	CERAMIC CHIP	10uF	20%	6.3V		C8065	1-164-935-11	CERAMIC CHIP	470PF	10%	50V
C7299	1-104-851-11	TANTAL. CHIP	10uF	20%	10V		C8066	1-164-935-11	CERAMIC CHIP	470PF	10%	50V
C7501	1-165-887-91	CERAMIC CHIP	0.22uF	10%	6.3V		C8067	1-164-935-11	CERAMIC CHIP	470PF	10%	50V
C7502	1-165-887-91	CERAMIC CHIP	0.22uF	10%	6.3V		C8076	1-137-710-11	CERAMIC CHIP	10uF	20%	6.3V
C7503	1-115-467-11	CERAMIC CHIP	0.22uF	10%	10V		C8301	1-100-507-91	CERAMIC CHIP	4.7uF	20%	6.3V
C7504	1-115-467-11	CERAMIC CHIP	0.22uF	10%	10V		C8302	1-100-507-91	CERAMIC CHIP	4.7uF	20%	6.3V
C7506	1-164-937-11	CERAMIC CHIP	0.001uF	10%	50V		C8303	1-164-943-11	CERAMIC CHIP	0.01uF	10%	16V
C7507	1-165-887-91	CERAMIC CHIP	0.22uF	10%	6.3V		C8304	1-164-943-11	CERAMIC CHIP	0.01uF	10%	16V
C8002	1-137-710-11	CERAMIC CHIP	10uF	20%	6.3V		C8305	1-100-611-91	CERAMIC CHIP	22uF	20%	6.3V
C8003	1-100-415-11	CERAMIC CHIP	0.47uF	10%	6.3V		C8306	1-125-777-11	CERAMIC CHIP	0.1uF	10%	10V
C8004	1-100-415-11	CERAMIC CHIP	0.47uF	10%	6.3V		C8307	1-164-943-11	CERAMIC CHIP	0.01uF	10%	16V
C8005	1-100-415-11	CERAMIC CHIP	0.47uF	10%	6.3V		C8308	1-164-943-11	CERAMIC CHIP	0.01uF	10%	16V
C8006	1-100-415-11	CERAMIC CHIP	0.47uF	10%	6.3V		C8309	1-125-777-11	CERAMIC CHIP	0.1uF	10%	10V
C8007	1-100-415-11	CERAMIC CHIP	0.47uF	10%	6.3V		C8310	1-164-856-81	CERAMIC CHIP	18PF	5%	50V
C8008	1-100-415-11	CERAMIC CHIP	0.47uF	10%	6.3V		C8311	1-164-856-81	CERAMIC CHIP	18PF	5%	50V
C8009	1-107-820-11	CERAMIC CHIP	0.1uF		16V		C8312	1-125-777-11	CERAMIC CHIP	0.1uF	10%	10V
C8010	1-100-415-11	CERAMIC CHIP	0.47uF	10%	6.3V		C8313	1-125-777-11	CERAMIC CHIP	0.1uF	10%	10V
C8011	1-100-415-11	CERAMIC CHIP	0.47uF	10%	6.3V		C8601	1-125-777-11	CERAMIC CHIP	0.1uF	10%	10V
C8017	1-107-820-11	CERAMIC CHIP	0.1uF		16V		C8602	1-125-777-11	CERAMIC CHIP	0.1uF	10%	10V
C8018	1-107-820-11	CERAMIC CHIP	0.1uF		16V		C8603	1-164-943-11	CERAMIC CHIP	0.01uF	10%	16V
C8019	1-107-820-11	CERAMIC CHIP	0.1uF		16V		C8604	1-164-943-11	CERAMIC CHIP	0.01uF	10%	16V
C8020	1-107-820-11	CERAMIC CHIP	0.1uF		16V		C8605	1-100-507-91	CERAMIC CHIP	4.7uF	20%	6.3V
C8021	1-107-820-11	CERAMIC CHIP	0.1uF		16V		C8606	1-100-507-91	CERAMIC CHIP	4.7uF	20%	6.3V
C8023	1-107-820-11	CERAMIC CHIP	0.1uF		16V		C8607	1-117-748-81	CERAMIC CHIP	10PF	0.1PF	16V
C8024	1-107-820-11	CERAMIC CHIP	0.1uF		16V		C8608	1-117-748-81	CERAMIC CHIP	10PF	0.1PF	16V
C8025	1-107-820-11	CERAMIC CHIP	0.1uF		16V		C8609	1-125-777-11	CERAMIC CHIP	0.1uF	10%	10V
C8026	1-107-820-11	CERAMIC CHIP	0.1uF		16V		C8610	1-125-777-11	CERAMIC CHIP	0.1uF	10%	10V
C8027	1-107-820-11	CERAMIC CHIP	0.1uF		16V		C8611	1-125-777-11	CERAMIC CHIP	0.1uF	10%	10V
C8028	1-107-820-11	CERAMIC CHIP	0.1uF		16V		C8612	1-125-777-11	CERAMIC CHIP	0.1uF	10%	10V
C8030	1-107-820-11	CERAMIC CHIP	0.1uF		16V		C8613	1-125-777-11	CERAMIC CHIP	0.1uF	10%	10V
C8031	1-107-820-11	CERAMIC CHIP	0.1uF		16V		C8615	1-125-777-11	CERAMIC CHIP	0.1uF	10%	10V
C8033	1-107-820-11	CERAMIC CHIP	0.1uF		16V		C8616	1-125-777-11	CERAMIC CHIP	0.1uF	10%	10V
C8035	1-107-820-11	CERAMIC CHIP	0.1uF		16V		C8617	1-125-777-11	CERAMIC CHIP	0.1uF	10%	10V
C8036	1-107-820-11	CERAMIC CHIP	0.1uF		16V		C8618	1-125-777-11	CERAMIC CHIP	0.1uF	10%	10V
C8037	1-107-820-11	CERAMIC CHIP	0.1uF		16V		C8619	1-100-506-91	CERAMIC CHIP	1uF	20%	6.3V
C8038	1-107-820-11	CERAMIC CHIP	0.1uF		16V		C8620	1-125-777-11	CERAMIC CHIP	0.1uF	10%	10V
C8039	1-107-820-11	CERAMIC CHIP	0.1uF		16V		C8621	1-100-506-91	CERAMIC CHIP	1uF	20%	6.3V
C8040	1-107-820-11	CERAMIC CHIP	0.1uF		16V		C8801	1-125-777-11	CERAMIC CHIP	0.1uF	10%	10V
C8041	1-164-931-11	CERAMIC CHIP	100PF	10%	50V		C8802	1-164-943-11	CERAMIC CHIP	0.01uF	10%	16V

Ref. No.	Part No.	Description	Ref. No.	Part No.	Description
C8803	1-125-777-11	CERAMIC CHIP 0.1uF 10% 10V	D8305	8-719-056-23	DIODE MA2S111-(K8).SO
C8804	1-164-943-11	CERAMIC CHIP 0.01uF 10% 16V			< FERRITE BEAD >
C8805	1-100-507-91	CERAMIC CHIP 4.7uF 20% 6.3V	FB1101	1-414-760-21	FERRITE, EMI (SMD) (1608)
C8806	1-125-777-11	CERAMIC CHIP 0.1uF 10% 10V	FB1102	1-414-760-21	FERRITE, EMI (SMD) (1608)
C8807	1-125-777-11	CERAMIC CHIP 0.1uF 10% 10V	FB1103	1-414-760-21	FERRITE, EMI (SMD) (1608)
			FB1104	1-414-760-21	FERRITE, EMI (SMD) (1608)
C8808	1-125-777-11	CERAMIC CHIP 0.1uF 10% 10V	FB1108	1-414-760-21	FERRITE, EMI (SMD) (1608)
C8809	1-100-507-91	CERAMIC CHIP 4.7uF 20% 6.3V	FB1110	1-414-554-21	FERRITE, EMI (SMD) (1608)
C8810	1-117-748-81	CERAMIC CHIP 10PF 0.1PF 16V	FB1111	1-414-554-21	FERRITE, EMI (SMD) (1608)
C8811	1-117-748-81	CERAMIC CHIP 10PF 0.1PF 16V	FB1114	1-414-554-21	FERRITE, EMI (SMD) (1608)
C8812	1-125-777-11	CERAMIC CHIP 0.1uF 10% 10V	FB1115	1-414-554-21	FERRITE, EMI (SMD) (1608)
C8813	1-125-777-11	CERAMIC CHIP 0.1uF 10% 10V	FB1118	1-414-554-21	FERRITE, EMI (SMD) (1608)
C8814	1-125-777-11	CERAMIC CHIP 0.1uF 10% 10V	FB1119	1-414-554-21	FERRITE, EMI (SMD) (1608)
C8815	1-125-777-11	CERAMIC CHIP 0.1uF 10% 10V	FB1303	1-414-760-21	FERRITE, EMI (SMD) (1608)
C8816	1-125-777-11	CERAMIC CHIP 0.1uF 10% 10V	FB1304	1-414-760-21	FERRITE, EMI (SMD) (1608)
C8817	1-125-777-11	CERAMIC CHIP 0.1uF 10% 10V	FB1306	1-414-445-11	BEAD, FERRITE (CHIP) (1608)
C8818	1-164-943-11	CERAMIC CHIP 0.01uF 10% 16V	FB2101	1-414-445-11	FERRITE, EMI (SMD) (1608)
C8819	1-125-777-11	CERAMIC CHIP 0.1uF 10% 10V	FB2201	1-414-445-11	BEAD, FERRITE (CHIP) (1608)
C8820	1-100-506-91	CERAMIC CHIP 1uF 20% 6.3V	FB2202	1-414-445-11	BEAD, FERRITE (CHIP) (1608)
C8821	1-100-506-91	CERAMIC CHIP 1uF 20% 6.3V	FB2203	1-414-445-11	BEAD, FERRITE (CHIP) (1608)
C8822	1-125-777-11	CERAMIC CHIP 0.1uF 10% 10V	FB2204	1-414-445-11	BEAD, FERRITE (CHIP) (1608)
C8823	1-125-777-11	CERAMIC CHIP 0.1uF 10% 10V	FB2205	1-414-445-11	BEAD, FERRITE (CHIP) (1608)
		< CONNECTOR >	FB2301	1-414-445-11	BEAD, FERRITE (CHIP) (1608)
CN0001	1-785-969-21	CONNECTOR, BOARD TO BOARD 100P	FB2401	1-414-445-11	BEAD, FERRITE (CHIP) (1608)
CN0002	1-785-969-21	CONNECTOR, BOARD TO BOARD 100P	FB2402	1-414-445-11	BEAD, FERRITE (CHIP) (1608)
CN0003	1-779-520-11	CONNECTOR, BOARD TO BOARD 80P	FB2403	1-414-445-11	BEAD, FERRITE (CHIP) (1608)
CN0004	1-784-422-11	CONNECTOR, FFC/FPC (ZIF) 33P	FB2404	1-414-445-11	BEAD, FERRITE (CHIP) (1608)
CN0005	1-779-520-11	CONNECTOR, BOARD TO BOARD 80P	FB2501	1-414-445-11	BEAD, FERRITE (CHIP) (1608)
* CN0007	1-784-424-51	CONNECTOR, FFC/FPC (ZIF) 51P	FB2502	1-414-445-11	BEAD, FERRITE (CHIP) (1608)
* CN0008	1-816-057-51	CONNECTOR, FPC (ZIF) 39P	FB2503	1-414-445-11	BEAD, FERRITE (CHIP) (1608)
CN0009	1-779-329-11	CONNECTOR, FFC/FPC 10P	FB3001	1-414-445-11	BEAD, FERRITE (CHIP) (1608)
CN1001	1-784-680-11	CONNECTOR, BOARD TO BOARD 100P	FB3002	1-414-445-11	BEAD, FERRITE (CHIP) (1608)
* CN1501	1-784-424-51	CONNECTOR, FFC/FPC (ZIF) 51P	FB3003	1-414-445-11	BEAD, FERRITE (CHIP) (1608)
CN1502	1-784-421-51	CONNECTOR, FFC/FPC (ZIF) 27P	FB3004	1-414-445-11	BEAD, FERRITE (CHIP) (1608)
* CN1503	1-766-621-51	CONNECTOR, FFC/FPC 10P	FB3201	1-414-445-11	BEAD, FERRITE (CHIP) (1608)
* CN6001	1-816-057-51	CONNECTOR, FPC (ZIF) 39P	FB3202	1-414-445-11	BEAD, FERRITE (CHIP) (1608)
		< DIODE >	FB3203	1-414-445-11	BEAD, FERRITE (CHIP) (1608)
D001	6-500-750-01	DIODE NSAD500H-T1-A	FB3204	1-414-445-11	BEAD, FERRITE (CHIP) (1608)
D0003	8-719-056-54	DIODE MAZS068008SO	FB4001	1-414-760-21	FERRITE, EMI (SMD) (1608)
D1101	8-719-988-61	DIODE 1SS355TE-17	FB7001	1-469-676-22	BEAD, FERRITE (CHIP) (1608)
D1102	8-719-988-61	DIODE 1SS355TE-17	FB7002	1-469-676-22	BEAD, FERRITE (CHIP) (1608)
D1103	8-719-988-61	DIODE 1SS355TE-17	FB8002	1-414-760-21	FERRITE, EMI (SMD) (1608)
D1501	8-719-077-54	DIODE MA4L11100ASO	FB8004	1-414-760-21	FERRITE, EMI (SMD) (1608)
D1502	8-719-077-54	DIODE MA4L11100ASO	FB8005	1-414-760-21	FERRITE, EMI (SMD) (1608)
D1503	8-719-062-16	DIODE 01ZA8.2 (TPL3)	FB8006	1-414-760-21	FERRITE, EMI (SMD) (1608)
D2029	6-500-275-01	DIODE RB751S-40TE61	FB8007	1-414-760-21	FERRITE, EMI (SMD) (1608)
D2030	6-500-275-01	DIODE RB751S-40TE61	FB8008	1-414-760-21	FERRITE, EMI (SMD) (1608)
D2032	6-500-818-01	DIODE KV1870RTL-G	FB8301	1-414-760-21	FERRITE, EMI (SMD) (1608)
D6001	8-719-084-47	DIODE 1SV290 (TPL3)	FB8302	1-414-760-21	FERRITE, EMI (SMD) (1608)
D7102	8-719-073-28	DIODE MA729-(K8).SO	FB8303	1-414-760-21	FERRITE, EMI (SMD) (1608)
D7103	8-719-073-28	DIODE MA729-(K8).SO	FB8601	1-414-760-21	FERRITE, EMI (SMD) (1608)
D7104	8-719-067-56	DIODE MA112-TX	FB8602	1-414-760-21	FERRITE, EMI (SMD) (1608)
D7105	8-719-067-56	DIODE MA112-TX	FB8801	1-414-760-21	FERRITE, EMI (SMD) (1608)
D8301	8-719-056-23	DIODE MA2S111-(K8).SO	FB8802	1-414-760-21	FERRITE, EMI (SMD) (1608)
D8302	8-719-056-23	DIODE MA2S111-(K8).SO			< FLUORESCENT INDICATOR >
D8303	8-719-056-23	DIODE MA2S111-(K8).SO	FL2101	1-234-537-21	FILTER, LOW PASS (SMD)
D8304	8-719-056-23	DIODE MA2S111-(K8).SO			

Ref. No.	Part No.	Description	Ref. No.	Part No.	Description
< IC >					
IC1101	8-753-223-14	IC CXD3617GA-T4	IC7501	8-759-833-99	IC MC74HC4052ADTR2
IC1102	8-759-643-94	IC TC7SLU04FU (TE85R)	IC8001	not supplied	IC MBM29Z0008-70PBT-03ERE1 (Note)
IC1103	6-701-979-01	IC TC7WB66FK (TE85R)	IC8002	6-702-168-01	IC AK6512CM-E2
IC1104	6-704-426-01	IC AD80053KBCRL-45	IC8003	6-702-058-01	IC MD56V62160E-10LAZ03B
IC1105	6-704-426-01	IC AD80053KBCRL-45	IC8009	8-753-235-21	IC CXD3175BGG-T6
IC1106	6-704-426-01	IC AD80053KBCRL-45	IC8301	6-805-131-01	IC MB89097LGA-G-189-ER
IC1107	6-706-689-01	IC HD74ALVC2G34USE-E	IC8601	6-806-277-01	IC MB91195LGL-155-ERE1
IC1301	6-702-723-01	IC T8F85XBG-0001 (EO)	IC8801	6-806-007-01	IC MB91195LGL-G-171-ERE1
IC1501	8-759-359-49	IC NJM3414AV (TE2)	IC8802	6-702-156-01	IC AK6510CM-E2
IC1502	8-759-359-49	IC NJM3414AV (TE2)	< JUMPER >		
IC1503	8-759-058-45	IC NJM3403AV	JS2101	1-216-864-11	SHORT CHIP 0
IC1504	6-702-523-01	IC NJM12902SC3 (TE2)	JS2201	1-218-990-11	SHORT CHIP 0
IC1505	6-702-523-01	IC NJM12902SC3 (TE2)	JS2202	1-218-990-11	SHORT CHIP 0
IC1506	8-759-058-45	IC NJM3403AV	JS7116	1-218-990-11	SHORT CHIP 0
IC1507	6-706-476-01	IC TC7SET04FU (T5RSOJF)	JS7117	1-218-990-11	SHORT CHIP 0
IC1508	6-706-476-01	IC TC7SET04FU (T5RSOJF)	JS7119	1-218-990-11	SHORT CHIP 0
IC1509	6-700-709-01	IC NJU7241F31 (TE2)	JS7120	1-218-990-11	SHORT CHIP 0
IC1701	6-705-568-01	IC BU2342GLU-E2	JS7124	1-218-990-11	SHORT CHIP 0
IC1702	6-705-568-01	IC BU2342GLU-E2	JS7125	1-216-864-11	SHORT CHIP 0
IC1703	8-759-536-88	IC RN5RZ28BA-TL-FA	JS7601	1-216-864-11	SHORT CHIP 0
IC1901	6-702-156-01	IC AK6510CM-E2	< COIL >		
IC1902	6-805-902-01	IC MB91195LGL-G-157-ERE1	L1001	1-469-526-91	INDUCTOR 22uH
IC1903	6-701-985-01	IC BH2220FVM-TR	L1002	1-469-526-91	INDUCTOR 22uH
IC2021	6-706-045-01	IC M66493WG	L1003	1-469-526-91	INDUCTOR 22uH
IC2101	6-802-382-01	IC MB90099PFV-G-124-BND-ER	L1004	1-469-526-91	INDUCTOR 22uH
IC2201	6-706-687-01	IC HD74ALVC1G79VSE-E	L1005	1-469-526-91	INDUCTOR 22uH
IC2202	6-705-881-01	IC HD74ALVC1G125VSE-E	L1006	1-469-526-91	INDUCTOR 22uH
IC2204	6-706-688-01	IC HD74ALVC2G32USE-E	L1007	1-469-526-91	INDUCTOR 22uH
IC2205	6-706-686-01	IC HD74ALVC1G08VSE-E	L1008	1-469-528-91	INDUCTOR 100uH
IC2206	6-705-883-01	IC HD74LVCC3245ATEL-E	L1009	1-469-528-91	INDUCTOR 100uH
IC2207	6-705-881-01	IC HD74ALVC1G125VSE-E	L1010	1-469-528-91	INDUCTOR 100uH
IC2208	8-753-231-00	IC CXD3171GA-T6	L1101	1-469-526-91	INDUCTOR 22uH
IC2301	6-706-689-01	IC HD74ALVC2G34USE-E	L1102	1-469-526-91	INDUCTOR 22uH
IC2302	6-706-689-01	IC HD74ALVC2G34USE-E	L1103	1-469-526-91	INDUCTOR 22uH
IC2303	6-706-689-01	IC HD74ALVC2G34USE-E	L1104	1-469-526-91	INDUCTOR 22uH
IC2304	6-706-689-01	IC HD74ALVC2G34USE-E	L1108	1-469-526-91	INDUCTOR 22uH
IC2305	6-706-689-01	IC HD74ALVC2G34USE-E	L1109	1-469-526-91	INDUCTOR 22uH
IC2306	6-706-689-01	IC HD74ALVC2G34USE-E	L1110	1-469-526-91	INDUCTOR 22uH
IC2401	8-753-230-99	IC CXD3161GL-T6	L1301	1-414-771-91	INDUCTOR 10uH
IC2402	8-753-230-99	IC CXD3161GL-T6	L1302	1-414-771-91	INDUCTOR 10uH
IC2502	8-753-231-06	IC CXD3185GG-T6	L1303	1-469-058-11	INDUCTOR 22uH
IC3001	6-804-470-01	IC CXD9175AGG-P	L1304	1-414-771-91	INDUCTOR 10uH
IC3201	8-753-230-99	IC CXD3161GL-T6	L1501	1-414-754-11	INDUCTOR 10uH
IC3202	8-753-230-99	IC CXD3161GL-T6	L1502	1-414-771-91	INDUCTOR 10uH
IC3501	6-705-546-01	IC SN104286ZHZR	L1503	1-414-771-91	INDUCTOR 10uH
IC4001	6-704-695-01	IC uPD15002AFC-DN2-E2-A	L1504	1-414-754-11	INDUCTOR 10uH
IC5001	6-701-740-01	IC MB87L4261LGA-G-ER	L1701	1-414-754-11	INDUCTOR 10uH
IC6001	8-759-660-93	IC RB5P004AM1	L1702	1-414-754-11	INDUCTOR 10uH
IC6002	8-753-229-41	IC CXD3537R-T4	L1703	1-414-754-11	INDUCTOR 10uH
IC7001	6-706-068-02	IC TMS320DA150ZGUR120	L1704	1-414-754-11	INDUCTOR 10uH
IC7113	8-759-572-38	IC NJM2140R	L1705	1-414-754-11	INDUCTOR 10uH
IC7114	6-707-170-01	IC M61534FP			
IC7115	8-759-471-38	IC AK4520A-VF-E2			
IC7119	6-706-484-01	IC TC7SH04FU (T5RSOYJF)			
IC7120	6-707-171-01	IC TS4851EIJT			

Note :
A service for IC8001 is not available because an adjustment is required before replacement.

IC8001

Ref. No.	Part No.	Description	Ref. No.	Part No.	Description	
L1706	1-414-754-11	INDUCTOR	10uH	Q2110	6-550-237-01 TRANSISTOR	2SC5658T2LQ/R
L1901	1-414-398-11	INDUCTOR	10uH	Q2111	6-550-237-01 TRANSISTOR	2SC5658T2LQ/R
L1902	1-414-398-11	INDUCTOR	10uH	Q2112	6-550-237-01 TRANSISTOR	2SC5658T2LQ/R
L1903	1-414-398-11	INDUCTOR	10uH	Q2113	6-550-232-01 TRANSISTOR	2SA2029T2LQ/R
L2021	1-469-549-21	INDUCTOR	1uH	Q2114	6-550-232-01 TRANSISTOR	2SA2029T2LQ/R
L2022	1-469-549-21	INDUCTOR	1uH	Q2115	6-550-232-01 TRANSISTOR	2SA2029T2LQ/R
L2023	1-469-549-21	INDUCTOR	1uH	Q2116	6-550-232-01 TRANSISTOR	2SA2029T2LQ/R
L2024	1-469-549-21	INDUCTOR	1uH	Q2117	6-550-232-01 TRANSISTOR	2SA2029T2LQ/R
L2025	1-469-557-21	INDUCTOR	22uH	Q2118	6-550-232-01 TRANSISTOR	2SA2029T2LQ/R
L2026	1-469-557-21	INDUCTOR	22uH	Q2119	6-550-232-01 TRANSISTOR	2SA2029T2LQ/R
L2027	1-469-557-21	INDUCTOR	22uH	Q2120	6-550-232-01 TRANSISTOR	2SA2029T2LQ/R
L2028	1-469-557-21	INDUCTOR	22uH	Q2121	6-550-232-01 TRANSISTOR	2SA2029T2LQ/R
L2029	1-469-557-21	INDUCTOR	22uH	Q5001	8-729-049-91 TRANSISTOR	2SA2018H-T2L
L2030	1-469-555-21	INDUCTOR	10uH	Q5002	8-729-050-91 TRANSISTOR	UNRL21300AS0
L2031	1-469-557-21	INDUCTOR	22uH	Q5003	8-759-054-48 IC	C010-PW2000SV-V110
L2033	1-400-194-11	INDUCTOR	1.8uH	Q6001	8-729-037-72 TRANSISTOR	UN9211J-(TX).SO
L2101	1-469-645-21	INDUCTOR	3.3uH	Q6002	8-729-037-74 TRANSISTOR	UN9213J-(TX).SO
L2102	1-469-645-21	INDUCTOR	3.3uH	Q6006	8-729-037-74 TRANSISTOR	UN9213J-(TX).SO
L2104	1-469-557-21	INDUCTOR	22uH	Q6007	8-729-427-74 TRANSISTOR	XP4601
L3501	1-469-555-21	INDUCTOR	10uH	Q6008	8-729-427-74 TRANSISTOR	XP4601
L3502	1-469-555-21	INDUCTOR	10uH	Q6009	6-550-119-01 TRANSISTOR	DTC144EMT2L
L3503	1-469-555-21	INDUCTOR	10uH	Q6010	6-550-232-01 TRANSISTOR	2SA2029T2LQ/R
L4001	1-469-570-11	INDUCTOR	10uH	Q7103	6-550-237-01 TRANSISTOR	2SC5658T2LQ/R
L4002	1-469-570-11	INDUCTOR	10uH	Q7104	8-729-037-61 TRANSISTOR	UN9113J-(TX).SO
L4005	1-469-555-21	INDUCTOR	10uH	Q7105	8-729-037-61 TRANSISTOR	UN9113J-(TX).SO
L4006	1-469-570-11	INDUCTOR	10uH	Q7106	8-729-037-61 TRANSISTOR	UN9113J-(TX).SO
L4007	1-469-570-11	INDUCTOR	10uH	Q7107	8-729-037-61 TRANSISTOR	UN9113J-(TX).SO
L5001	1-469-525-91	INDUCTOR	10uH	Q7108	6-550-237-01 TRANSISTOR	2SC5658T2LQ/R
L5002	1-469-525-91	INDUCTOR	10uH	Q7109	6-550-237-01 TRANSISTOR	2SC5658T2LQ/R
L5003	1-469-525-91	INDUCTOR	10uH	Q7110	6-550-232-01 TRANSISTOR	2SA2029T2LQ/R
L6001	1-414-771-91	INDUCTOR	10uH	Q7112	8-729-037-72 TRANSISTOR	UN9211J-(TX).SO
L6002	1-414-771-91	INDUCTOR	10uH	Q7118	8-729-037-72 TRANSISTOR	UN9211J-(TX).SO
L6003	1-414-771-91	INDUCTOR	10uH	Q7170	6-550-232-01 TRANSISTOR	2SA2029T2LQ/R
L6004	1-414-248-11	INDUCTOR	2.2uH	Q7171	8-729-037-72 TRANSISTOR	UN9211J-(TX).SO
L7199	1-469-058-11	INDUCTOR	22uH	Q7174	6-550-232-01 TRANSISTOR	2SA2029T2LQ/R
< TRANSISTOR >						
Q001	8-729-037-72	TRANSISTOR	UN9211J-(TX).SO	Q7175	8-729-037-72 TRANSISTOR	UN9211J-(TX).SO
Q002	8-729-037-72	TRANSISTOR	UN9211J-(TX).SO	Q7176	8-729-037-72 TRANSISTOR	UN9211J-(TX).SO
Q1001	8-729-041-23	TRANSISTOR	NDS356AP	Q7177	6-550-232-01 TRANSISTOR	2SA2029T2LQ/R
Q1002	8-729-037-74	TRANSISTOR	UN9213J-(TX).SO	Q7178	8-729-037-72 TRANSISTOR	UN9211J-(TX).SO
Q1501	8-729-042-26	TRANSISTOR	2SB1462J-QR (K8).SO	Q7199	8-729-037-72 TRANSISTOR	UN9211J-(TX).SO
Q1502	8-729-037-74	TRANSISTOR	UN9213J-(TX).SO	Q7202	6-550-237-01 TRANSISTOR	2SC5658T2LQ/R
Q1503	8-729-042-26	TRANSISTOR	2SB1462J-QR (K8).SO	Q8001	6-550-234-01 TRANSISTOR	UNR32A300LS0
Q1504	8-729-050-76	TRANSISTOR	EC3201C-PM-TL	Q8002	6-550-237-01 TRANSISTOR	2SC5658T2LQ/R
Q1505	8-729-050-76	TRANSISTOR	EC3201C-PM-TL	Q8003	6-550-239-01 TRANSISTOR	DTA144EMT2L
Q1506	8-729-037-74	TRANSISTOR	UN9213J-(TX).SO	Q8004	8-729-053-54 TRANSISTOR	HN1A01FE-Y/GR (TPLR3)
Q1507	8-729-050-76	TRANSISTOR	EC3201C-PM-TL	Q8005	6-550-174-01 TRANSISTOR	2SA2030T2L
Q1508	8-729-050-76	TRANSISTOR	EC3201C-PM-TL	Q8307	8-729-041-43 TRANSISTOR	HN1L02FU (TE85R)
Q1509	8-729-042-26	TRANSISTOR	2SB1462J-QR (K8).SO	< RESISTOR >		
Q1510	8-729-037-74	TRANSISTOR	UN9213J-(TX).SO	R0001	1-218-990-11	SHORT CHIP 0
Q1511	8-729-013-31	TRANSISTOR	2SA1588-0Y-TE85L	R0002	1-218-954-11	RES-CHIP 1.2K 5% 1/16W
Q1512	8-729-042-26	TRANSISTOR	2SB1462J-QR (K8).SO	R0003	1-218-955-11	RES-CHIP 1.5K 5% 1/16W
Q1513	8-729-037-76	TRANSISTOR	UN9215J-(TX).SO	R004	1-218-947-11	RES-CHIP 330 5% 1/16W
Q1514	8-729-037-74	TRANSISTOR	UN9213J-(TX).SO	R0005	1-218-990-11	SHORT CHIP 0
Q1515	8-729-042-26	TRANSISTOR	2SB1462J-QR (K8).SO	R0006	1-218-990-11	SHORT CHIP 0
Q1516	8-729-037-74	TRANSISTOR	UN9213J-(TX).SO	R0007	1-218-990-11	SHORT CHIP 0
				R0011	1-218-953-11	RES-CHIP 1K 5% 1/16W
				R0012	1-218-990-11	SHORT CHIP 0
				R0013	1-218-990-11	SHORT CHIP 0

Ref. No.	Part No.	Description			
R0014	1-218-990-11	SHORT CHIP	0		
R0015	1-218-990-11	SHORT CHIP	0		
R0016	1-218-977-11	RES-CHIP	100K	5%	1/16W
R1001	1-216-849-11	METAL CHIP	220K	5%	1/10W
R1002	1-216-857-11	METAL CHIP	1M	5%	1/10W
R1004	1-218-990-11	SHORT CHIP	0		
R1101	1-218-990-11	SHORT CHIP	0		
R1102	1-218-977-11	RES-CHIP	100K	5%	1/16W
R1103	1-218-977-11	RES-CHIP	100K	5%	1/16W
R1104	1-218-977-11	RES-CHIP	100K	5%	1/16W
R1114	1-218-990-11	SHORT CHIP	0		
R1117	1-218-990-11	SHORT CHIP	0		
R1118	1-218-990-11	SHORT CHIP	0		
R1119	1-218-990-11	SHORT CHIP	0		
R1120	1-218-990-11	SHORT CHIP	0		
R1121	1-218-990-11	SHORT CHIP	0		
R1123	1-218-990-11	SHORT CHIP	0		
R1125	1-218-990-11	SHORT CHIP	0		
R1126	1-218-990-11	SHORT CHIP	0		
R1130	1-218-990-11	SHORT CHIP	0		
R1131	1-218-990-11	SHORT CHIP	0		
R1302	1-218-977-11	RES-CHIP	100K	5%	1/16W
R1303	1-218-990-11	SHORT CHIP	0		
R1317	1-218-977-11	RES-CHIP	100K	5%	1/16W
R1332	1-218-977-11	RES-CHIP	100K	5%	1/16W
R1333	1-218-977-11	RES-CHIP	100K	5%	1/16W
R1348	1-218-941-81	RES-CHIP	100	5%	1/16W
R1349	1-218-941-81	RES-CHIP	100	5%	1/16W
R1350	1-218-941-81	RES-CHIP	100	5%	1/16W
R1351	1-218-941-81	RES-CHIP	100	5%	1/16W
R1352	1-218-941-81	RES-CHIP	100	5%	1/16W
R1353	1-218-941-81	RES-CHIP	100	5%	1/16W
R1354	1-218-941-81	RES-CHIP	100	5%	1/16W
R1355	1-218-941-81	RES-CHIP	100	5%	1/16W
R1356	1-218-990-11	SHORT CHIP	0		
R1357	1-218-977-11	RES-CHIP	100K	5%	1/16W
R1358	1-218-941-81	RES-CHIP	100	5%	1/16W
R1359	1-218-941-81	RES-CHIP	100	5%	1/16W
R1360	1-218-941-81	RES-CHIP	100	5%	1/16W
R1361	1-218-941-81	RES-CHIP	100	5%	1/16W
R1362	1-218-977-11	RES-CHIP	100K	5%	1/16W
R1363	1-218-977-11	RES-CHIP	100K	5%	1/16W
R1364	1-218-977-11	RES-CHIP	100K	5%	1/16W
R1365	1-218-977-11	RES-CHIP	100K	5%	1/16W
R1366	1-218-977-11	RES-CHIP	100K	5%	1/16W
R1367	1-218-941-81	RES-CHIP	100	5%	1/16W
R1368	1-218-941-81	RES-CHIP	100	5%	1/16W
R1369	1-218-941-81	RES-CHIP	100	5%	1/16W
R1370	1-218-941-81	RES-CHIP	100	5%	1/16W
R1371	1-218-977-11	RES-CHIP	100K	5%	1/16W
R1372	1-218-977-11	RES-CHIP	100K	5%	1/16W
R1373	1-218-977-11	RES-CHIP	100K	5%	1/16W
R1374	1-218-977-11	RES-CHIP	100K	5%	1/16W
R1375	1-218-977-11	RES-CHIP	100K	5%	1/16W
R1376	1-218-977-11	RES-CHIP	100K	5%	1/16W
R1377	1-218-977-11	RES-CHIP	100K	5%	1/16W
R1378	1-218-977-11	RES-CHIP	100K	5%	1/16W
R1379	1-218-977-11	RES-CHIP	100K	5%	1/16W
R1380	1-218-977-11	RES-CHIP	100K	5%	1/16W
R1381	1-218-977-11	RES-CHIP	100K	5%	1/16W

Ref. No.	Part No.	Description			
R1382	1-218-977-11	RES-CHIP	100K	5%	1/16W
R1383	1-218-977-11	RES-CHIP	100K	5%	1/16W
R1384	1-218-977-11	RES-CHIP	100K	5%	1/16W
R1385	1-218-977-11	RES-CHIP	100K	5%	1/16W
R1386	1-218-977-11	RES-CHIP	100K	5%	1/16W
R1387	1-218-977-11	RES-CHIP	100K	5%	1/16W
R1388	1-218-977-11	RES-CHIP	100K	5%	1/16W
R1389	1-218-977-11	RES-CHIP	100K	5%	1/16W
R1390	1-218-977-11	RES-CHIP	100K	5%	1/16W
R1391	1-218-977-11	RES-CHIP	100K	5%	1/16W
R1392	1-218-977-11	RES-CHIP	100K	5%	1/16W
R1393	1-218-977-11	RES-CHIP	100K	5%	1/16W
R1394	1-218-977-11	RES-CHIP	100K	5%	1/16W
R1395	1-218-977-11	RES-CHIP	100K	5%	1/16W
R1396	1-218-977-11	RES-CHIP	100K	5%	1/16W
R1397	1-218-977-11	RES-CHIP	100K	5%	1/16W
R1501	1-218-985-11	RES-CHIP	470K	5%	1/16W
R1502	1-208-923-11	METAL CHIP	33K	0.5%	1/16W
R1503	1-208-923-11	METAL CHIP	33K	0.5%	1/16W
R1504	1-208-715-11	METAL CHIP	22K	0.5%	1/16W
R1505	1-208-715-11	METAL CHIP	22K	0.5%	1/16W
R1506	1-218-985-11	RES-CHIP	470K	5%	1/16W
R1507	1-218-990-11	SHORT CHIP	0		
R1508	1-218-990-11	SHORT CHIP	0		
R1509	1-218-990-11	SHORT CHIP	0		
R1510	1-218-990-11	SHORT CHIP	0		
R1511	1-208-927-11	METAL CHIP	47K	0.5%	1/16W
R1512	1-208-923-11	METAL CHIP	33K	0.5%	1/16W
R1513	1-208-923-11	METAL CHIP	33K	0.5%	1/16W
R1514	1-208-683-11	METAL CHIP	1K	0.5%	1/16W
R1515	1-208-683-11	METAL CHIP	1K	0.5%	1/16W
R1516	1-208-927-11	METAL CHIP	47K	0.5%	1/16W
R1517	1-218-977-11	RES-CHIP	100K	5%	1/16W
R1518	1-218-979-11	RES-CHIP	150K	5%	1/16W
R1519	1-218-979-11	RES-CHIP	150K	5%	1/16W
R1520	1-218-977-11	RES-CHIP	100K	5%	1/16W
R1521	1-218-953-11	RES-CHIP	1K	5%	1/16W
R1522	1-218-973-11	RES-CHIP	47K	5%	1/16W
R1523	1-218-977-11	RES-CHIP	100K	5%	1/16W
R1524	1-218-990-11	SHORT CHIP	0		
R1525	1-208-927-11	METAL CHIP	47K	0.5%	1/16W
R1526	1-208-927-11	METAL CHIP	47K	0.5%	1/16W
R1527	1-218-977-11	RES-CHIP	100K	5%	1/16W
R1528	1-218-953-11	RES-CHIP	1K	5%	1/16W
R1529	1-218-953-11	RES-CHIP	1K	5%	1/16W
R1530	1-208-711-11	METAL CHIP	15K	0.5%	1/16W
R1531	1-218-985-11	RES-CHIP	470K	5%	1/16W
R1532	1-208-703-11	METAL CHIP	6.8K	0.5%	1/16W
R1533	1-218-985-11	RES-CHIP	470K	5%	1/16W
R1534	1-218-985-11	RES-CHIP	470K	5%	1/16W
R1535	1-208-947-11	METAL CHIP	330K	0.5%	1/16W
R1536	1-218-990-11	SHORT CHIP	0		
R1537	1-218-953-11	RES-CHIP	1K	5%	1/16W
R1539	1-208-939-11	METAL CHIP	150K	0.5%	1/16W
R1540	1-218-973-11	RES-CHIP	47K	5%	1/16W
R1541	1-208-939-11	METAL CHIP	150K	0.5%	1/16W
R1542	1-208-715-11	METAL CHIP	22K	0.5%	1/16W
R1543	1-208-715-11	METAL CHIP	22K	0.5%	1/16W
R1545	1-218-965-11	RES-CHIP	10K	5%	1/16W
R1546	1-218-990-11	SHORT CHIP	0		

Ref. No.	Part No.	Description				Ref. No.	Part No.	Description			
R1548	1-218-965-11	RES-CHIP	10K	5%	1/16W	R1720	1-218-990-11	SHORT CHIP	0		
R1549	1-218-953-11	RES-CHIP	1K	5%	1/16W	R1721	1-218-958-11	RES-CHIP	2.7K	5%	1/16W
R1551	1-208-715-11	METAL CHIP	22K	0.5%	1/16W	R1722	1-208-721-11	METAL CHIP	39K	0.5%	1/16W
R1552	1-218-973-11	RES-CHIP	47K	5%	1/16W	R1723	1-218-990-11	SHORT CHIP	0		
R1553	1-218-973-11	RES-CHIP	47K	5%	1/16W	R1724	1-208-909-11	METAL CHIP	8.2K	0.5%	1/16W
R1554	1-218-953-11	RES-CHIP	1K	5%	1/16W	R1725	1-208-703-11	METAL CHIP	6.8K	0.5%	1/16W
R1555	1-218-973-11	RES-CHIP	47K	5%	1/16W	R1726	1-218-958-11	RES-CHIP	2.7K	5%	1/16W
R1556	1-218-953-11	RES-CHIP	1K	5%	1/16W	R1727	1-208-909-11	METAL CHIP	8.2K	0.5%	1/16W
R1558	1-208-943-11	METAL CHIP	220K	0.5%	1/16W	R1728	1-208-721-11	METAL CHIP	39K	0.5%	1/16W
R1559	1-218-953-11	RES-CHIP	1K	5%	1/16W	R1729	1-208-703-11	METAL CHIP	6.8K	0.5%	1/16W
R1561	1-208-943-11	METAL CHIP	220K	0.5%	1/16W	R1730	1-218-990-11	SHORT CHIP	0		
R1562	1-208-715-11	METAL CHIP	22K	0.5%	1/16W	R1731	1-218-958-11	RES-CHIP	2.7K	5%	1/16W
R1563	1-218-973-11	RES-CHIP	47K	5%	1/16W	R1732	1-208-721-11	METAL CHIP	39K	0.5%	1/16W
R1564	1-208-931-11	METAL CHIP	68K	0.5%	1/16W	R1733	1-208-703-11	METAL CHIP	6.8K	0.5%	1/16W
R1565	1-208-931-11	METAL CHIP	68K	0.5%	1/16W	R1734	1-208-721-11	METAL CHIP	39K	0.5%	1/16W
R1566	1-218-973-11	RES-CHIP	47K	5%	1/16W	R1735	1-208-703-11	METAL CHIP	6.8K	0.5%	1/16W
R1567	1-208-715-11	METAL CHIP	22K	0.5%	1/16W	R1736	1-218-958-11	RES-CHIP	2.7K	5%	1/16W
R1568	1-208-911-11	METAL CHIP	10K	0.5%	1/16W	R1737	1-218-965-11	RES-CHIP	10K	5%	1/16W
R1569	1-208-715-11	METAL CHIP	22K	0.5%	1/16W	R1738	1-218-990-11	SHORT CHIP	0		
R1570	1-208-911-11	METAL CHIP	10K	0.5%	1/16W	R1901	1-218-965-11	RES-CHIP	10K	5%	1/16W
R1571	1-208-935-11	METAL CHIP	100K	0.5%	1/16W	R1902	1-218-941-81	RES-CHIP	100	5%	1/16W
R1572	1-218-973-11	RES-CHIP	47K	5%	1/16W	R1903	1-218-989-11	RES-CHIP	1M	5%	1/16W
R1573	1-208-935-11	METAL CHIP	100K	0.5%	1/16W	R1904	1-218-965-11	RES-CHIP	10K	5%	1/16W
R1576	1-208-931-11	METAL CHIP	68K	0.5%	1/16W	R1905	1-218-975-11	RES-CHIP	68K	5%	1/16W
R1577	1-208-715-11	METAL CHIP	22K	0.5%	1/16W	R1906	1-218-985-11	RES-CHIP	470K	5%	1/16W
R1578	1-208-715-11	METAL CHIP	22K	0.5%	1/16W	R1908	1-218-977-11	RES-CHIP	100K	5%	1/16W
R1579	1-208-927-11	METAL CHIP	47K	0.5%	1/16W	R1909	1-218-973-11	RES-CHIP	47K	5%	1/16W
R1580	1-208-715-11	METAL CHIP	22K	0.5%	1/16W	R1910	1-218-985-11	RES-CHIP	470K	5%	1/16W
R1581	1-208-715-11	METAL CHIP	22K	0.5%	1/16W	R1911	1-218-973-11	RES-CHIP	47K	5%	1/16W
R1582	1-208-683-11	METAL CHIP	1K	0.5%	1/16W	R1912	1-218-965-11	RES-CHIP	10K	5%	1/16W
R1583	1-208-691-11	METAL CHIP	2.2K	0.5%	1/16W	R1913	1-218-965-11	RES-CHIP	10K	5%	1/16W
R1584	1-208-911-11	METAL CHIP	10K	0.5%	1/16W	R1914	1-218-953-11	RES-CHIP	1K	5%	1/16W
R1585	1-208-911-11	METAL CHIP	10K	0.5%	1/16W	R1915	1-218-953-11	RES-CHIP	1K	5%	1/16W
R1586	1-208-671-11	METAL CHIP	330	0.5%	1/16W	R1916	1-208-699-11	METAL CHIP	4.7K	0.5%	1/16W
R1587	1-208-671-11	METAL CHIP	330	0.5%	1/16W	R1917	1-208-699-11	METAL CHIP	4.7K	0.5%	1/16W
R1588	1-218-953-11	RES-CHIP	1K	5%	1/16W	R1918	1-218-953-11	RES-CHIP	1K	5%	1/16W
R1589	1-218-973-11	RES-CHIP	47K	5%	1/16W	R1919	1-218-953-11	RES-CHIP	1K	5%	1/16W
R1590	1-216-295-91	SHORT CHIP	0			R1920	1-218-989-11	RES-CHIP	1M	5%	1/16W
R1591	1-218-965-11	RES-CHIP	10K	5%	1/16W	R1921	1-218-990-11	SHORT CHIP	0		
R1592	1-218-973-11	RES-CHIP	47K	5%	1/16W	R1922	1-218-990-11	SHORT CHIP	0		
R1593	1-218-953-11	RES-CHIP	1K	5%	1/16W	R1923	1-218-953-11	RES-CHIP	1K	5%	1/16W
R1594	1-218-953-11	RES-CHIP	1K	5%	1/16W	R1924	1-218-953-11	RES-CHIP	1K	5%	1/16W
R1599	1-216-295-91	SHORT CHIP	0			R1925	1-218-989-11	RES-CHIP	1M	5%	1/16W
R1605	1-216-821-11	METAL CHIP	1K	5%	1/10W	R1926	1-218-963-11	RES-CHIP	6.8K	5%	1/16W
R1606	1-216-841-11	METAL CHIP	47K	5%	1/10W	R1927	1-218-953-11	RES-CHIP	1K	5%	1/16W
R1705	1-218-958-11	RES-CHIP	2.7K	5%	1/16W	R1928	1-218-989-11	RES-CHIP	1M	5%	1/16W
R1706	1-218-958-11	RES-CHIP	2.7K	5%	1/16W	R1929	1-218-989-11	RES-CHIP	1M	5%	1/16W
R1707	1-208-721-11	METAL CHIP	39K	0.5%	1/16W	R1930	1-218-963-11	RES-CHIP	6.8K	5%	1/16W
R1708	1-208-909-11	METAL CHIP	8.2K	0.5%	1/16W	R1931	1-218-953-11	RES-CHIP	1K	5%	1/16W
R1709	1-208-909-11	METAL CHIP	8.2K	0.5%	1/16W	R1932	1-218-990-11	SHORT CHIP	0		
R1710	1-208-703-11	METAL CHIP	6.8K	0.5%	1/16W	R1933	1-218-975-11	RES-CHIP	68K	5%	1/16W
R1711	1-208-703-11	METAL CHIP	6.8K	0.5%	1/16W	R1934	1-218-975-11	RES-CHIP	68K	5%	1/16W
R1712	1-208-721-11	METAL CHIP	39K	0.5%	1/16W	R1935	1-218-975-11	RES-CHIP	68K	5%	1/16W
R1713	1-218-958-11	RES-CHIP	2.7K	5%	1/16W	R1936	1-218-975-11	RES-CHIP	68K	5%	1/16W
R1714	1-208-721-11	METAL CHIP	39K	0.5%	1/16W	R1937	1-218-975-11	RES-CHIP	68K	5%	1/16W
R1715	1-208-703-11	METAL CHIP	6.8K	0.5%	1/16W	R1938	1-218-975-11	RES-CHIP	68K	5%	1/16W
R1716	1-208-721-11	METAL CHIP	39K	0.5%	1/16W	R1939	1-216-809-11	METAL CHIP	100	5%	1/10W
R1717	1-208-703-11	METAL CHIP	6.8K	0.5%	1/16W	R1940	1-218-973-11	RES-CHIP	47K	5%	1/16W
R1718	1-218-958-11	RES-CHIP	2.7K	5%	1/16W	R2021	1-218-990-11	SHORT CHIP	0		
R1719	1-218-965-11	RES-CHIP	10K	5%	1/16W	R2022	1-218-990-11	SHORT CHIP	0		

Ref. No.	Part No.	Description				Ref. No.	Part No.	Description			
R2024	1-218-990-11	SHORT CHIP	0			R2210	1-218-990-11	SHORT CHIP	0		
R2026	1-218-958-11	RES-CHIP	2.7K	5%	1/16W	R2301	1-218-990-11	SHORT CHIP	0		
R2027	1-218-958-11	RES-CHIP	2.7K	5%	1/16W	R2501	1-218-953-11	RES-CHIP	1K	5%	1/16W
R2028	1-218-951-11	RES-CHIP	680	5%	1/16W	R2502	1-218-990-11	SHORT CHIP	0		
R2029	1-218-953-11	RES-CHIP	1K	5%	1/16W	R2503	1-218-990-11	SHORT CHIP	0		
R2030	1-218-990-11	SHORT CHIP	0			R2504	1-218-990-11	SHORT CHIP	0		
R2031	1-218-990-11	SHORT CHIP	0			R2505	1-218-990-11	SHORT CHIP	0		
R2032	1-218-990-11	SHORT CHIP	0			R2506	1-218-990-11	SHORT CHIP	0		
R2033	1-218-990-11	SHORT CHIP	0			R2507	1-218-990-11	SHORT CHIP	0		
R2034	1-218-990-11	SHORT CHIP	0			R2509	1-218-990-11	SHORT CHIP	0		
R2035	1-218-990-11	SHORT CHIP	0			R2510	1-218-990-11	SHORT CHIP	0		
R2036	1-218-990-11	SHORT CHIP	0			R2511	1-218-938-11	RES-CHIP	56	5%	1/16W
R2037	1-218-990-11	SHORT CHIP	0			R2513	1-218-953-11	RES-CHIP	1K	5%	1/16W
R2041	1-218-977-11	RES-CHIP	100K	5%	1/16W	R2514	1-218-973-11	RES-CHIP	47K	5%	1/16W
R2046	1-218-965-11	RES-CHIP	10K	5%	1/16W	R3001	1-218-990-11	SHORT CHIP	0		
R2047	1-218-965-11	RES-CHIP	10K	5%	1/16W	R3002	1-218-990-11	SHORT CHIP	0		
R2049	1-218-947-11	RES-CHIP	330	5%	1/16W	R3005	1-208-860-81	METAL CHIP	75	0.5%	1/16W
R2050	1-218-961-11	RES-CHIP	4.7K	5%	1/16W	R3012	1-208-860-81	METAL CHIP	75	0.5%	1/16W
R2051	1-218-937-11	RES-CHIP	47	5%	1/16W	R3013	1-208-918-81	METAL CHIP	20K	0.5%	1/16W
R2053	1-216-864-11	SHORT CHIP	0			R3014	1-208-918-81	METAL CHIP	20K	0.5%	1/16W
R2054	1-218-990-11	SHORT CHIP	0			R3016	1-218-977-11	RES-CHIP	100K	5%	1/16W
R2055	1-218-990-11	SHORT CHIP	0			R3017	1-218-953-11	RES-CHIP	1K	5%	1/16W
R2056	1-218-990-11	SHORT CHIP	0			R3501	1-218-938-11	RES-CHIP	56	5%	1/16W
R2057	1-218-990-11	SHORT CHIP	0			R3502	1-218-938-11	RES-CHIP	56	5%	1/16W
R2058	1-218-990-11	SHORT CHIP	0			R3503	1-218-938-11	RES-CHIP	56	5%	1/16W
R2059	1-218-990-11	SHORT CHIP	0			R3504	1-208-911-11	METAL CHIP	10K	0.5%	1/16W
R2102	1-218-990-11	SHORT CHIP	0			R3505	1-218-938-11	RES-CHIP	56	5%	1/16W
R2103	1-208-675-11	METAL CHIP	470	0.5%	1/16W	R3506	1-208-702-11	METAL CHIP	6.2K	0.5%	1/16W
R2104	1-208-675-11	METAL CHIP	470	0.5%	1/16W	R3507	1-208-911-11	METAL CHIP	10K	0.5%	1/16W
R2105	1-208-675-11	METAL CHIP	470	0.5%	1/16W	R3508	1-218-989-11	RES-CHIP	1M	5%	1/16W
R2106	1-208-675-11	METAL CHIP	470	0.5%	1/16W	R3510	1-218-977-11	RES-CHIP	100K	5%	1/16W
R2107	1-208-675-11	METAL CHIP	470	0.5%	1/16W	R3511	1-218-977-11	RES-CHIP	100K	5%	1/16W
R2108	1-208-675-11	METAL CHIP	470	0.5%	1/16W	R3512	1-218-977-11	RES-CHIP	100K	5%	1/16W
R2109	1-208-864-81	METAL CHIP	110	0.5%	1/16W	R3513	1-218-977-11	RES-CHIP	100K	5%	1/16W
R2110	1-208-663-11	METAL CHIP	150	0.5%	1/16W	R3514	1-218-977-11	RES-CHIP	100K	5%	1/16W
R2111	1-208-663-11	METAL CHIP	150	0.5%	1/16W	R3515	1-218-977-11	RES-CHIP	100K	5%	1/16W
R2112	1-218-961-11	RES-CHIP	4.7K	5%	1/16W	R3516	1-218-977-11	RES-CHIP	100K	5%	1/16W
R2113	1-218-961-11	RES-CHIP	4.7K	5%	1/16W	R3517	1-218-977-11	RES-CHIP	100K	5%	1/16W
R2114	1-218-961-11	RES-CHIP	4.7K	5%	1/16W	R3518	1-218-977-11	RES-CHIP	100K	5%	1/16W
R2115	1-218-961-11	RES-CHIP	4.7K	5%	1/16W	R3519	1-218-977-11	RES-CHIP	100K	5%	1/16W
R2116	1-218-961-11	RES-CHIP	4.7K	5%	1/16W	R3523	1-218-977-11	RES-CHIP	100K	5%	1/16W
R2117	1-218-961-11	RES-CHIP	4.7K	5%	1/16W	R3524	1-218-977-11	RES-CHIP	100K	5%	1/16W
R2121	1-208-663-11	METAL CHIP	150	0.5%	1/16W	R3527	1-218-977-11	RES-CHIP	100K	5%	1/16W
R2122	1-208-671-11	METAL CHIP	330	0.5%	1/16W	R3528	1-218-977-11	RES-CHIP	100K	5%	1/16W
R2123	1-208-663-11	METAL CHIP	150	0.5%	1/16W	R3529	1-218-977-11	RES-CHIP	100K	5%	1/16W
R2124	1-208-671-11	METAL CHIP	330	0.5%	1/16W	R3530	1-218-977-11	RES-CHIP	100K	5%	1/16W
R2125	1-208-671-11	METAL CHIP	330	0.5%	1/16W	R3531	1-218-977-11	RES-CHIP	100K	5%	1/16W
R2126	1-208-671-11	METAL CHIP	330	0.5%	1/16W	R3532	1-218-977-11	RES-CHIP	100K	5%	1/16W
R2127	1-218-949-11	RES-CHIP	470	5%	1/16W	R3533	1-218-977-11	RES-CHIP	100K	5%	1/16W
R2128	1-218-949-11	RES-CHIP	470	5%	1/16W	R3534	1-218-977-11	RES-CHIP	100K	5%	1/16W
R2129	1-218-949-11	RES-CHIP	470	5%	1/16W	R3536	1-218-977-11	RES-CHIP	100K	5%	1/16W
R2201	1-218-977-11	RES-CHIP	100K	5%	1/16W	R3537	1-218-977-11	RES-CHIP	100K	5%	1/16W
R2202	1-218-977-11	RES-CHIP	100K	5%	1/16W	R3541	1-218-990-11	SHORT CHIP	0		
R2203	1-218-977-11	RES-CHIP	100K	5%	1/16W	R4001	1-218-990-11	SHORT CHIP	0		
R2204	1-218-977-11	RES-CHIP	100K	5%	1/16W	R4002	1-218-990-11	SHORT CHIP	0		
R2205	1-218-977-11	RES-CHIP	100K	5%	1/16W	R4003	1-218-990-11	SHORT CHIP	0		
R2206	1-218-977-11	RES-CHIP	100K	5%	1/16W	R4004	1-218-990-11	SHORT CHIP	0		
R2207	1-218-977-11	RES-CHIP	100K	5%	1/16W	R4005	1-218-990-11	SHORT CHIP	0		
R2208	1-218-977-11	RES-CHIP	100K	5%	1/16W	R4009	1-218-990-11	SHORT CHIP	0		
R2209	1-218-990-11	SHORT CHIP	0			R4011	1-218-990-11	SHORT CHIP	0		

Ref. No.	Part No.	Description				Ref. No.	Part No.	Description			
R4012	1-218-990-11	SHORT CHIP	0			R7123	1-218-990-11	SHORT CHIP	0		
R4014	1-218-990-11	SHORT CHIP	0			R7124	1-218-977-11	RES-CHIP	100K	5%	1/16W
R4015	1-218-990-11	SHORT CHIP	0			R7125	1-218-977-11	RES-CHIP	100K	5%	1/16W
R4017	1-218-990-11	SHORT CHIP	0			R7126	1-218-977-11	RES-CHIP	100K	5%	1/16W
R5001	1-218-990-11	SHORT CHIP	0			R7127	1-218-973-11	RES-CHIP	47K	5%	1/16W
R5002	1-218-973-11	RES-CHIP	47K	5%	1/16W	R7128	1-218-965-11	RES-CHIP	10K	5%	1/16W
R5003	1-218-965-11	RES-CHIP	10K	5%	1/16W	R7129	1-218-941-81	RES-CHIP	100	5%	1/16W
R5004	1-218-965-11	RES-CHIP	10K	5%	1/16W	R7267	1-218-977-11	RES-CHIP	100K	5%	1/16W
R5005	1-218-951-11	RES-CHIP	680	5%	1/16W	R7290	1-218-977-11	RES-CHIP	100K	5%	1/16W
R5006	1-218-965-11	RES-CHIP	10K	5%	1/16W	R7295	1-218-990-11	SHORT CHIP	0		
R5007	1-218-949-11	RES-CHIP	470	5%	1/16W	R7296	1-218-990-11	SHORT CHIP	0		
R5011	1-218-990-11	SHORT CHIP	0			R7317	1-218-990-11	SHORT CHIP	0		
R5012	1-218-990-11	SHORT CHIP	0			R7318	1-218-990-11	SHORT CHIP	0		
R5014	1-218-990-11	SHORT CHIP	0			R7320	1-218-990-11	SHORT CHIP	0		
R5016	1-218-990-11	SHORT CHIP	0			R7322	1-218-990-11	SHORT CHIP	0		
R5017	1-218-990-11	SHORT CHIP	0			R7324	1-218-973-11	RES-CHIP	47K	5%	1/16W
R5018	1-218-990-11	SHORT CHIP	0			R7328	1-218-965-11	RES-CHIP	10K	5%	1/16W
R5020	1-218-990-11	SHORT CHIP	0			R7334	1-218-973-11	RES-CHIP	47K	5%	1/16W
R5021	1-218-990-11	SHORT CHIP	0			R7341	1-218-941-81	RES-CHIP	100	5%	1/16W
R6003	1-216-841-11	METAL CHIP	47K	5%	1/10W	R7342	1-218-977-11	RES-CHIP	100K	5%	1/16W
R6004	1-218-990-11	SHORT CHIP	0			R7343	1-218-941-81	RES-CHIP	100	5%	1/16W
R6005	1-218-990-11	SHORT CHIP	0			R7349	1-218-977-11	RES-CHIP	100K	5%	1/16W
R6007	1-218-967-11	RES-CHIP	15K	5%	1/16W	R7351	1-218-973-11	RES-CHIP	47K	5%	1/16W
R6008	1-218-958-11	RES-CHIP	2.7K	5%	1/16W	R7356	1-218-977-11	RES-CHIP	100K	5%	1/16W
R6009	1-218-973-11	RES-CHIP	47K	5%	1/16W	R7358	1-218-965-11	RES-CHIP	10K	5%	1/16W
R6010	1-218-975-11	RES-CHIP	68K	5%	1/16W	R7359	1-216-833-11	METAL CHIP	10K	5%	1/10W
R6011	1-218-969-11	RES-CHIP	22K	5%	1/16W	R7360	1-216-833-11	METAL CHIP	10K	5%	1/10W
R6012	1-218-975-11	RES-CHIP	68K	5%	1/16W	R7361	1-216-833-11	METAL CHIP	10K	5%	1/10W
R6013	1-218-989-11	RES-CHIP	1M	5%	1/16W	R7362	1-218-965-11	RES-CHIP	10K	5%	1/16W
R6014	1-218-977-11	RES-CHIP	100K	5%	1/16W	R7363	1-216-833-11	METAL CHIP	10K	5%	1/10W
R6017	1-218-990-11	SHORT CHIP	0			R7365	1-218-973-11	RES-CHIP	47K	5%	1/16W
R6020	1-218-941-81	RES-CHIP	100	5%	1/16W	R7366	1-218-973-11	RES-CHIP	47K	5%	1/16W
R6021	1-218-967-11	RES-CHIP	15K	5%	1/16W	R7367	1-218-958-11	RES-CHIP	2.7K	5%	1/16W
R6022	1-218-963-11	RES-CHIP	6.8K	5%	1/16W	R7368	1-218-958-11	RES-CHIP	2.7K	5%	1/16W
R6023	1-218-941-81	RES-CHIP	100	5%	1/16W	R7369	1-218-973-11	RES-CHIP	47K	5%	1/16W
R6024	1-218-941-81	RES-CHIP	100	5%	1/16W	R7370	1-218-965-11	RES-CHIP	10K	5%	1/16W
R6025	1-218-941-81	RES-CHIP	100	5%	1/16W	R7372	1-216-829-11	METAL CHIP	4.7K	5%	1/10W
R6026	1-218-967-11	RES-CHIP	15K	5%	1/16W	R7373	1-216-864-11	SHORT CHIP	0		
R6030	1-218-973-11	RES-CHIP	47K	5%	1/16W	R7374	1-218-965-11	RES-CHIP	10K	5%	1/16W
R6031	1-218-963-11	RES-CHIP	6.8K	5%	1/16W	R7375	1-216-821-11	METAL CHIP	1K	5%	1/10W
R7002	1-218-990-11	SHORT CHIP	0			R7376	1-216-821-11	METAL CHIP	1K	5%	1/10W
R7008	1-218-961-11	RES-CHIP	4.7K	5%	1/16W	R7377	1-216-864-11	SHORT CHIP	0		
R7009	1-218-961-11	RES-CHIP	4.7K	5%	1/16W	R7378	1-216-829-11	METAL CHIP	4.7K	5%	1/10W
R7011	1-218-961-11	RES-CHIP	4.7K	5%	1/16W	R7379	1-218-969-11	RES-CHIP	22K	5%	1/16W
R7012	1-218-961-11	RES-CHIP	4.7K	5%	1/16W	R7380	1-218-969-11	RES-CHIP	22K	5%	1/16W
R7013	1-218-961-11	RES-CHIP	4.7K	5%	1/16W	R7385	1-218-977-11	RES-CHIP	100K	5%	1/16W
R7014	1-218-961-11	RES-CHIP	4.7K	5%	1/16W	R7386	1-218-985-11	RES-CHIP	470K	5%	1/16W
R7016	1-218-990-11	SHORT CHIP	0			R7390	1-218-977-11	RES-CHIP	100K	5%	1/16W
R7110	1-218-977-11	RES-CHIP	100K	5%	1/16W	R7391	1-218-977-11	RES-CHIP	100K	5%	1/16W
R7111	1-218-966-11	RES-CHIP	12K	5%	1/16W	R7399	1-218-969-11	RES-CHIP	22K	5%	1/16W
R7112	1-218-977-11	RES-CHIP	100K	5%	1/16W	R7400	1-218-977-11	RES-CHIP	100K	5%	1/16W
R7113	1-218-977-11	RES-CHIP	100K	5%	1/16W	R7401	1-218-969-11	RES-CHIP	22K	5%	1/16W
R7114	1-218-966-11	RES-CHIP	12K	5%	1/16W	R7405	1-218-977-11	RES-CHIP	100K	5%	1/16W
R7115	1-218-965-11	RES-CHIP	10K	5%	1/16W	R7418	1-218-953-11	RES-CHIP	1K	5%	1/16W
R7116	1-218-965-11	RES-CHIP	10K	5%	1/16W	R7419	1-218-953-11	RES-CHIP	1K	5%	1/16W
R7117	1-218-955-11	RES-CHIP	1.5K	5%	1/16W	R7426	1-218-953-11	RES-CHIP	1K	5%	1/16W
R7118	1-218-955-11	RES-CHIP	1.5K	5%	1/16W	R7429	1-218-977-11	RES-CHIP	100K	5%	1/16W
R7119	1-218-977-11	RES-CHIP	100K	5%	1/16W	R7434	1-218-953-11	RES-CHIP	1K	5%	1/16W
R7120	1-218-977-11	RES-CHIP	100K	5%	1/16W	R7435	1-218-977-11	RES-CHIP	100K	5%	1/16W
R7121	1-216-797-11	METAL CHIP	10	5%	1/10W	R7438	1-218-990-11	SHORT CHIP	0		

Ref. No.	Part No.	Description			
R7439	1-218-990-11	SHORT CHIP	0		
R7440	1-218-990-11	SHORT CHIP	0		
R7501	1-218-977-11	RES-CHIP	100K	5%	1/16W
R7502	1-218-957-11	RES-CHIP	2.2K	5%	1/16W
R7503	1-218-957-11	RES-CHIP	2.2K	5%	1/16W
R7504	1-218-973-11	RES-CHIP	47K	5%	1/16W
R7505	1-218-965-11	RES-CHIP	10K	5%	1/16W
R7506	1-218-969-11	RES-CHIP	22K	5%	1/16W
R7507	1-218-969-11	RES-CHIP	22K	5%	1/16W
R7508	1-208-637-11	METAL CHIP	12	0.5%	1/16W
R7509	1-208-637-11	METAL CHIP	12	0.5%	1/16W
R7510	1-218-965-11	RES-CHIP	10K	5%	1/16W
R7511	1-218-965-11	RES-CHIP	10K	5%	1/16W
R7515	1-216-304-11	RES-CHIP	3.3	5%	1/10W
R7516	1-216-001-00	RES-CHIP	10	5%	1/10W
R7601	1-218-977-11	RES-CHIP	100K	5%	1/16W
R7602	1-218-959-11	RES-CHIP	3.3K	5%	1/16W
R7603	1-218-959-11	RES-CHIP	3.3K	5%	1/16W
R8001	1-218-977-11	RES-CHIP	100K	5%	1/16W
R8002	1-218-977-11	RES-CHIP	100K	5%	1/16W
R8003	1-218-977-11	RES-CHIP	100K	5%	1/16W
R8004	1-218-977-11	RES-CHIP	100K	5%	1/16W
R8005	1-218-977-11	RES-CHIP	100K	5%	1/16W
R8006	1-218-977-11	RES-CHIP	100K	5%	1/16W
R8009	1-218-977-11	RES-CHIP	100K	5%	1/16W
R8014	1-218-953-11	RES-CHIP	1K	5%	1/16W
R8015	1-218-953-11	RES-CHIP	1K	5%	1/16W
R8016	1-218-953-11	RES-CHIP	1K	5%	1/16W
R8017	1-218-953-11	RES-CHIP	1K	5%	1/16W
R8018	1-218-977-11	RES-CHIP	100K	5%	1/16W
R8019	1-218-985-11	RES-CHIP	470K	5%	1/16W
R8020	1-218-985-11	RES-CHIP	470K	5%	1/16W
R8021	1-218-985-11	RES-CHIP	470K	5%	1/16W
R8022	1-218-985-11	RES-CHIP	470K	5%	1/16W
R8027	1-218-990-11	SHORT CHIP	0		
R8032	1-218-977-11	RES-CHIP	100K	5%	1/16W
R8033	1-218-977-11	RES-CHIP	100K	5%	1/16W
R8034	1-218-977-11	RES-CHIP	100K	5%	1/16W
R8035	1-218-977-11	RES-CHIP	100K	5%	1/16W
R8040	1-218-953-11	RES-CHIP	1K	5%	1/16W
R8041	1-218-953-11	RES-CHIP	1K	5%	1/16W
R8042	1-218-990-11	SHORT CHIP	0		
R8043	1-218-990-11	SHORT CHIP	0		
R8044	1-218-990-11	SHORT CHIP	0		
R8045	1-218-953-11	RES-CHIP	1K	5%	1/16W
R8046	1-218-953-11	RES-CHIP	1K	5%	1/16W
R8047	1-218-953-11	RES-CHIP	1K	5%	1/16W
R8048	1-218-953-11	RES-CHIP	1K	5%	1/16W
R8049	1-218-953-11	RES-CHIP	1K	5%	1/16W
R8050	1-218-953-11	RES-CHIP	1K	5%	1/16W
R8051	1-218-953-11	RES-CHIP	1K	5%	1/16W
R8052	1-218-953-11	RES-CHIP	1K	5%	1/16W
R8053	1-218-953-11	RES-CHIP	1K	5%	1/16W
R8054	1-218-977-11	RES-CHIP	100K	5%	1/16W
R8055	1-218-953-11	RES-CHIP	1K	5%	1/16W
R8056	1-218-973-11	RES-CHIP	47K	5%	1/16W
R8057	1-218-941-81	RES-CHIP	100	5%	1/16W
R8058	1-218-941-81	RES-CHIP	100	5%	1/16W
R8059	1-218-941-81	RES-CHIP	100	5%	1/16W
R8060	1-218-965-11	RES-CHIP	10K	5%	1/16W

Ref. No.	Part No.	Description			
R8061	1-218-965-11	RES-CHIP	10K	5%	1/16W
R8062	1-218-965-11	RES-CHIP	10K	5%	1/16W
R8063	1-218-965-11	RES-CHIP	10K	5%	1/16W
R8064	1-218-965-11	RES-CHIP	10K	5%	1/16W
R8065	1-218-965-11	RES-CHIP	10K	5%	1/16W
R8066	1-218-965-11	RES-CHIP	10K	5%	1/16W
R8067	1-218-965-11	RES-CHIP	10K	5%	1/16W
R8068	1-218-965-11	RES-CHIP	10K	5%	1/16W
R8069	1-218-959-11	RES-CHIP	3.3K	5%	1/16W
R8070	1-218-959-11	RES-CHIP	3.3K	5%	1/16W
R8071	1-218-953-11	RES-CHIP	1K	5%	1/16W
R8072	1-218-953-11	RES-CHIP	1K	5%	1/16W
R8073	1-218-959-11	RES-CHIP	3.3K	5%	1/16W
R8074	1-218-953-11	RES-CHIP	1K	5%	1/16W
R8075	1-218-955-11	RES-CHIP	1.5K	5%	1/16W
R8076	1-218-962-11	RES-CHIP	5.6K	5%	1/16W
R8077	1-218-961-11	RES-CHIP	4.7K	5%	1/16W
R8078	1-216-791-11	METAL CHIP	3.3	5%	1/10W
R8079	1-218-957-11	RES-CHIP	2.2K	5%	1/16W
R8082	1-218-941-81	RES-CHIP	100	5%	1/16W
R8083	1-218-941-81	RES-CHIP	100	5%	1/16W
R8084	1-218-941-81	RES-CHIP	100	5%	1/16W
R8086	1-218-941-81	RES-CHIP	100	5%	1/16W
R8087	1-218-990-11	SHORT CHIP	0		
R8089	1-218-985-11	RES-CHIP	470K	5%	1/16W
R8090	1-218-990-11	SHORT CHIP	0		
R8091	1-218-990-11	SHORT CHIP	0		
R8093	1-218-990-11	SHORT CHIP	0		
R8094	1-218-953-11	RES-CHIP	1K	5%	1/16W
R8095	1-218-953-11	RES-CHIP	1K	5%	1/16W
R8096	1-218-953-11	RES-CHIP	1K	5%	1/16W
R8301	1-218-989-11	RES-CHIP	1M	5%	1/16W
R8302	1-208-935-11	METAL CHIP	100K	0.5%	1/16W
R8303	1-218-953-11	RES-CHIP	1K	5%	1/16W
R8304	1-218-953-11	RES-CHIP	1K	5%	1/16W
R8305	1-218-985-11	RES-CHIP	470K	5%	1/16W
R8306	1-208-927-11	METAL CHIP	47K	0.5%	1/16W
R8307	1-218-973-11	RES-CHIP	47K	5%	1/16W
R8308	1-218-953-11	RES-CHIP	1K	5%	1/16W
R8309	1-218-953-11	RES-CHIP	1K	5%	1/16W
R8310	1-218-953-11	RES-CHIP	1K	5%	1/16W
R8311	1-218-953-11	RES-CHIP	1K	5%	1/16W
R8312	1-218-953-11	RES-CHIP	1K	5%	1/16W
R8313	1-219-570-11	METAL CHIP	10M	5%	1/10W
R8314	1-218-990-11	SHORT CHIP	0		
R8315	1-218-953-11	RES-CHIP	1K	5%	1/16W
R8316	1-218-977-11	RES-CHIP	100K	5%	1/16W
R8318	1-218-977-11	RES-CHIP	100K	5%	1/16W
R8319	1-218-989-11	RES-CHIP	1M	5%	1/16W
R8320	1-218-949-11	RES-CHIP	470	5%	1/16W
R8321	1-218-953-11	RES-CHIP	1K	5%	1/16W
R8322	1-218-973-11	RES-CHIP	47K	5%	1/16W
R8323	1-218-977-11	RES-CHIP	100K	5%	1/16W
R8324	1-218-949-11	RES-CHIP	470	5%	1/16W
R8325	1-218-989-11	RES-CHIP	1M	5%	1/16W
R8326	1-218-977-11	RES-CHIP	100K	5%	1/16W
R8327	1-218-977-11	RES-CHIP	100K	5%	1/16W
R8328	1-218-977-11	RES-CHIP	100K	5%	1/16W
R8329	1-218-989-11	RES-CHIP	1M	5%	1/16W
R8330	1-218-977-11	RES-CHIP	100K	5%	1/16W

Ref. No.	Part No.	Description			
R8331	1-218-953-11	RES-CHIP	1K	5%	1/16W
R8332	1-218-953-11	RES-CHIP	1K	5%	1/16W
R8333	1-218-965-11	RES-CHIP	10K	5%	1/16W
R8334	1-218-965-11	RES-CHIP	10K	5%	1/16W
R8335	1-218-977-11	RES-CHIP	100K	5%	1/16W
R8336	1-218-953-11	RES-CHIP	1K	5%	1/16W
R8601	1-218-941-81	RES-CHIP	100	5%	1/16W
R8602	1-218-965-11	RES-CHIP	10K	5%	1/16W
R8603	1-218-965-11	RES-CHIP	10K	5%	1/16W
R8606	1-218-977-11	RES-CHIP	100K	5%	1/16W
R8607	1-218-977-11	RES-CHIP	100K	5%	1/16W
R8608	1-218-977-11	RES-CHIP	100K	5%	1/16W
R8609	1-218-965-11	RES-CHIP	10K	5%	1/16W
R8611	1-218-965-11	RES-CHIP	10K	5%	1/16W
R8613	1-218-977-11	RES-CHIP	100K	5%	1/16W
R8801	1-218-941-81	RES-CHIP	100	5%	1/16W
R8802	1-218-977-11	RES-CHIP	100K	5%	1/16W
R8803	1-218-977-11	RES-CHIP	100K	5%	1/16W
R8804	1-218-965-11	RES-CHIP	10K	5%	1/16W
R8805	1-218-965-11	RES-CHIP	10K	5%	1/16W
R8806	1-218-977-11	RES-CHIP	100K	5%	1/16W
R8807	1-218-977-11	RES-CHIP	100K	5%	1/16W
R8809	1-216-295-91	SHORT CHIP	0		
R8812	1-218-977-11	RES-CHIP	100K	5%	1/16W
R8813	1-218-977-11	RES-CHIP	100K	5%	1/16W
R8814	1-218-977-11	RES-CHIP	100K	5%	1/16W
R8815	1-218-977-11	RES-CHIP	100K	5%	1/16W
R8816	1-218-977-11	RES-CHIP	100K	5%	1/16W
R8817	1-218-977-11	RES-CHIP	100K	5%	1/16W
R8818	1-218-977-11	RES-CHIP	100K	5%	1/16W
R8819	1-218-977-11	RES-CHIP	100K	5%	1/16W
R8820	1-218-977-11	RES-CHIP	100K	5%	1/16W
R8821	1-218-977-11	RES-CHIP	100K	5%	1/16W
R8822	1-218-977-11	RES-CHIP	100K	5%	1/16W
R8823	1-218-965-11	RES-CHIP	10K	5%	1/16W
R8824	1-218-965-11	RES-CHIP	10K	5%	1/16W
R8825	1-218-977-11	RES-CHIP	100K	5%	1/16W
R8826	1-218-985-11	RES-CHIP	470K	5%	1/16W
R8827	1-218-977-11	RES-CHIP	100K	5%	1/16W
R8828	1-218-977-11	RES-CHIP	100K	5%	1/16W
R8829	1-218-977-11	RES-CHIP	100K	5%	1/16W
R8830	1-218-977-11	RES-CHIP	100K	5%	1/16W
R8834	1-218-975-11	RES-CHIP	68K	5%	1/16W
R8835	1-218-981-11	RES-CHIP	220K	5%	1/16W
R8836	1-218-977-11	RES-CHIP	100K	5%	1/16W
R8837	1-218-985-11	RES-CHIP	470K	5%	1/16W
R8838	1-218-985-11	RES-CHIP	470K	5%	1/16W
R8839	1-218-953-11	RES-CHIP	1K	5%	1/16W
R8840	1-218-953-11	RES-CHIP	1K	5%	1/16W
R8841	1-218-953-11	RES-CHIP	1K	5%	1/16W
R8842	1-218-953-11	RES-CHIP	1K	5%	1/16W
R8843	1-218-953-11	RES-CHIP	1K	5%	1/16W
R8844	1-218-953-11	RES-CHIP	1K	5%	1/16W
R8845	1-218-953-11	RES-CHIP	1K	5%	1/16W

< COMPOSITION CIRCUIT BLOCK >

RB1901	1-234-381-21	RES, NETWORK	100K (1005X4)
RB1902	1-234-381-21	RES, NETWORK	100K (1005X4)

Ref. No.	Part No.	Description
		< VARISTOR >
VDR001	1-801-862-11	VARISTOR, CHIP (1608)
		< VIBRATOR >
X1101	1-813-432-11	OSCILLATOR, CRYSTAL 81MHz
X1102	1-813-431-21	OSCILLATOR, CRYSTAL 80.919081MHz
X1901	1-781-044-21	VIBRATOR, CRYSTAL 20MHz
X3501	1-781-045-21	VIBRATOR, CRYSTAL 24.576MHz
X8301	1-795-244-11	VIBRATOR, CERAMIC 10MHz
X8302	1-760-458-21	VIBRATOR, CRYSTAL 32.768kHz
X8601	1-781-044-21	VIBRATOR, CRYSTAL 20MHz
X8801	1-781-044-21	VIBRATOR, CRYSTAL 20MHz

