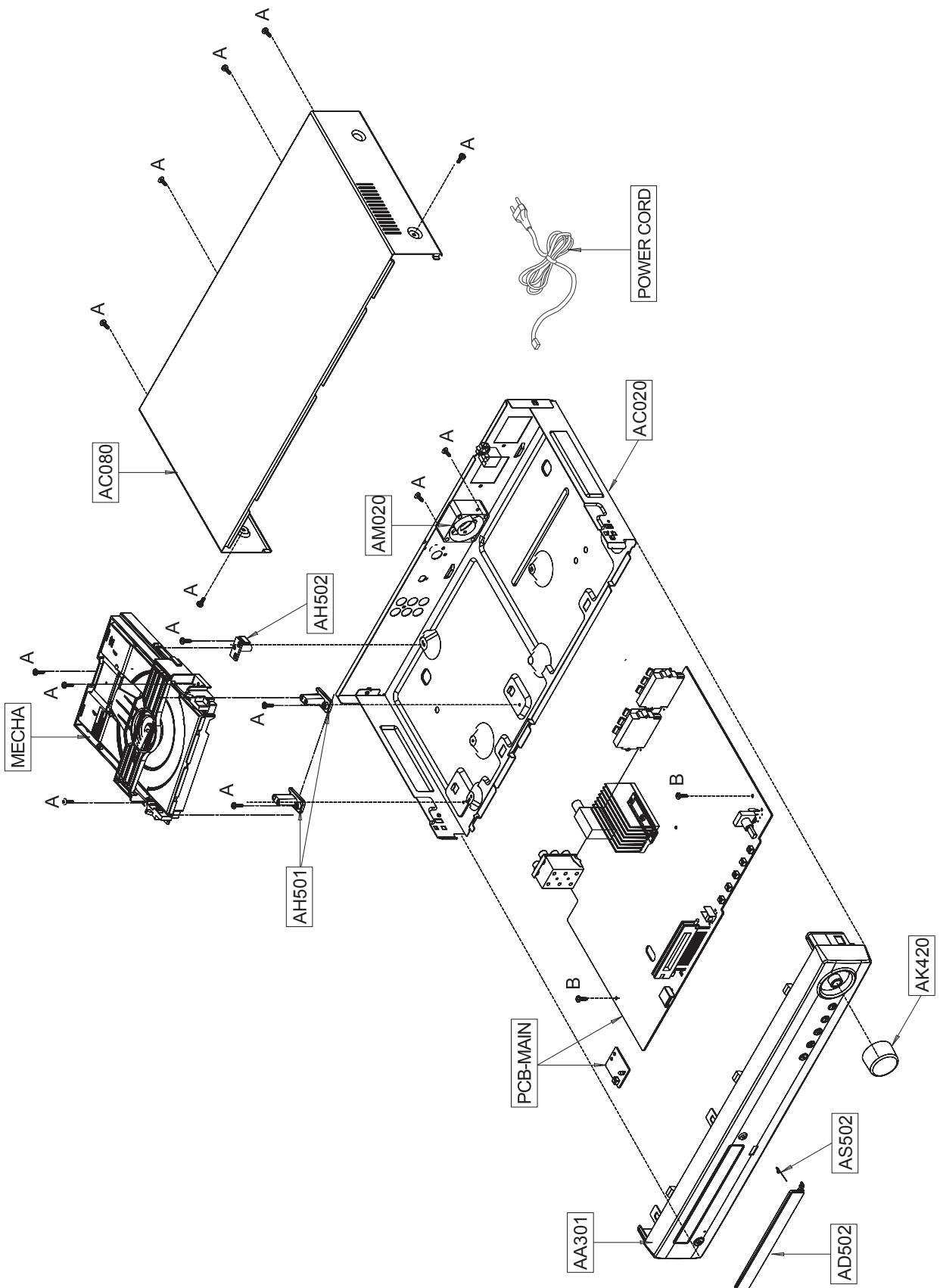

5. Exploded View & Part List

5-1	Exploded View	5-2
5-2	Speaker System.....	5-4
5-3	Electrical Part List.....	5-5

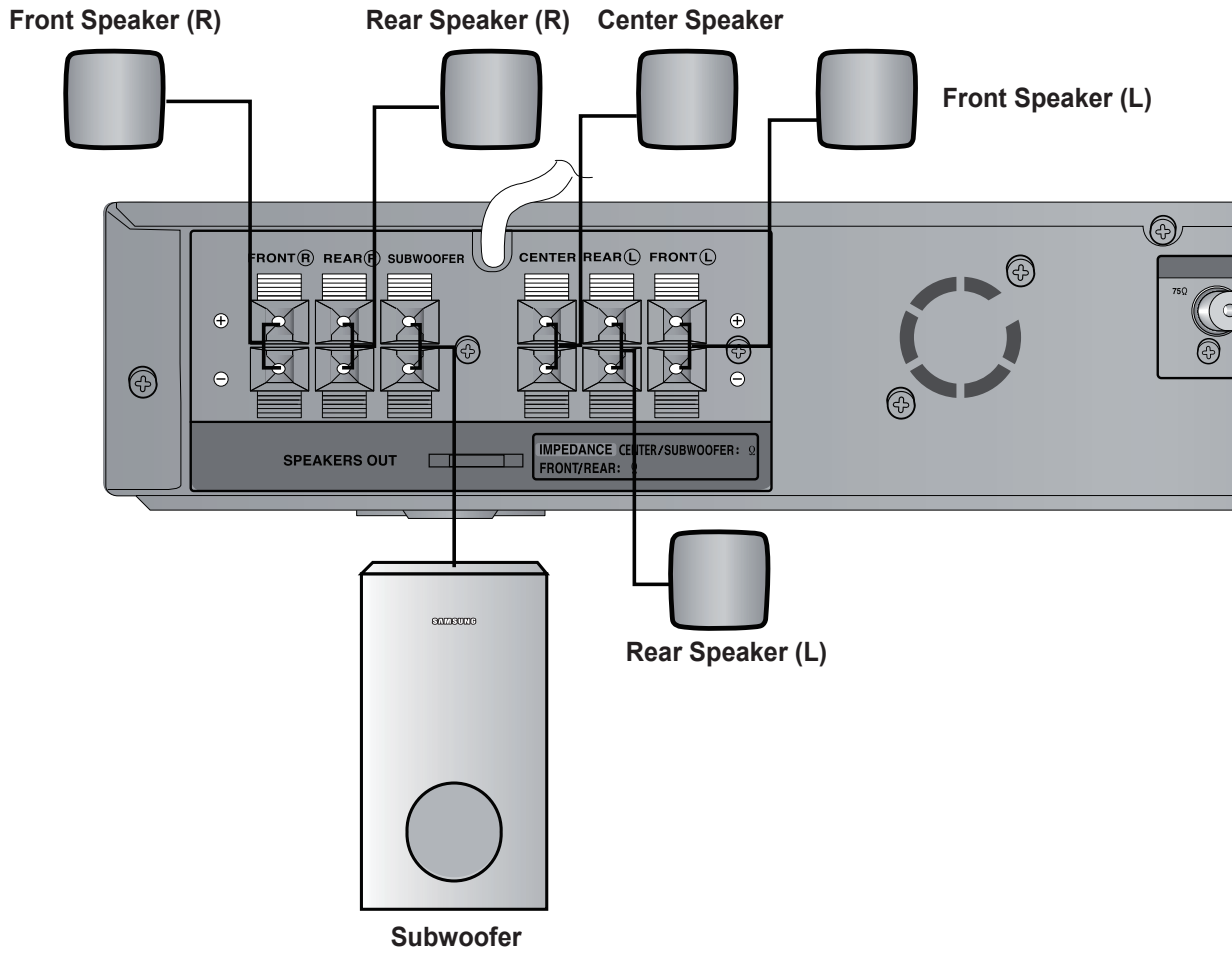
5-1 Exploded View



■ Part List

Loc. No.	Code No.	Description;Specification	Q'ty	SNA	Remark
AA301	AH97-03059B	ASSY FRONT;-;HT-Z120/EXP,ASSY,-	1	SA	
AC020	AH64-04859A	CABINET-BOTTOM;HT-Z120,SECC,T0.6,430,210	1	SA	
AC080	AH64-04013D	CABINET-TOP;HT-Z120,PCM 0.5T,T0.5,W430,B	1	SA	
AD502	AH64-04852A	DOOR-DVD;HT-Z120,ABS+PMMA,T2.0,140,15,B	1	SA	
AH501	AH61-02747A	HOLDER-MECHA-FRONT;HT-Z320,HIPS,1.5,20,3	2	SA	
AH502	AH61-02748A	HOLDER-MECHA-REAR;HT-Z320,HIPS,1.5,20,30	1	SA	
AK420	AH64-04919A	KNOB-VOLUME;HT-Z520,ABS PMMA,2,31.6,28,B	1	SA	
AM020	AH31-00041A	MOTOR FAN;CD42NL100070,RDL4020S,0.06A,0.	1	SA	
AS502	AH61-02806A	SPRING ETC-MASK;HT-Z120,STS 304 WPS,0.2,	1	SA	
MECHA	AH96-00010C	ASSY DECK;HT-Z420/320/220,NEW TRAY,CABLE	1	SA	
PCB-MAIN	AH92-03012B	ASSY PCB MAIN;-;HT-Z120,MAIN PCB-ASSY,EU	1	SA	
POWER CORD	AH97-03244A	ASSY POWER-CORD;150MM;;-;HT-Z120,-,-	1	SA	
A	6003-000275	SCREW-TAPTYPE;BH,+ ,B,M3,L10,ZPC(BLK),SWR	21	SA	
B	6003-000276	SCREW-TAPTYPE;BH,+ ,-,B,M3,L10,ZPC(WHT),S	4	SA	

5-2 Speaker System



■ Part List

Loc. No.	Code No.	Description;Specification	Q'ty	SNA	Remark
Front Speaker (L)	AH81-04868A	SYSTEM;PS-Z120,FRONT-LEFT SPK SYSTE,1PC,-,-	1	SA	
Front Speaker (R)	AH81-04869A	SYSTEM;PS-Z120,FRONT-RIGHT SPK SYST,1PC,-,-,	1	SA	
Rear Speaker (L)	AH81-04870A	SYSTEM;PS-Z120,REAR-LEFT SPK SYSTE,1PC,-,-,-,-	1	SA	
Rear Speaker (R)	AH81-04871A	SYSTEM;PS-Z120,REAR-RIGHT SPK SYSTE,1PC,-,-,-	1	SA	
Center Speaker	AH81-04872A	SYSTEM;PS-Z120,CENTER SPK SYSTEM,1PC,-,-,-,-	1	SA	
Subwoofer	AH81-04969A	SPEAKER;PS-Z120,SUBWOOFER,SPEAKER SYST	1	SA	

5-3 Electrical Part List

Loc. No.	Part No.	Description;Specification	Q'ty	SNA	Remark	Loc. No.	Part No.	Description;Specification	Q'ty	SNA	Remark
	AH59-02131D	REMOCON-ASSY;HT-Z120-EXP,SAMSUNG,23	1	SA			AH81-04899A	SPEAKER;PS-Z120,NET FRONT ASS'Y,NET	1	SA	
	AH83-00021C	CKD-CASE-TOP;VR9060,PMMA+ABS(SF-050	1	SNA			AH81-04655A	SPEAKER;NET FRAME_S,100*100*15,HIPS	1	SA	
	AH83-00022A	CKD-CASE-BOTTOM;VR9060,ABS(HF-0680	1	SNA			AH81-04907A	AUDIO-RECEIVER;PS-Z120,REAR-RIGHT,S	1	SA	
	AH83-00023C	CKD-RUBBER-KEY;VR9060,SILICONE-RUBB	1	SNA			AH81-04967A	SPEAKER-PART;PS-Z120,SATELLITE,CUSH	1	SNA	
	AH83-00024A	CKD-SPRING-REMOCON(+);VR9060,SUS 30	1	SNA			AH81-04968A	SPEAKER-PART;PS-Z120,SATELLITE,CUSH	1	SNA	
	AH83-00025A	CKD-SPRING-REMOCON(-);VR9060,SUS 30	1	SNA			AH81-04872A	SYSTEM;PS-Z120,CENTER SPK SYSTEM,1P	1	SA	
	AH83-00026A	CKD-SPRING-REMOCON(C);VR9060,SUS 30	1	SNA			AH81-04665A	SPEAKER;REAR CASE_S,100*100*15,HIPS	1	SA	
	AH83-00027A	CKD-SCREW;VR9060,TAP,M2*5	1	SNA			AH81-04881A	SPEAKER;PS-Z120,SCREW,-,-,-,-	4	SA	
	AH83-00028A	CKD-PE-BAG;VR9060,HDPE/NITRON/HDPE,	1	SNA			AH81-04882A	SPEAKER;PS-Z120,FOOT,4.8 x 2.0Tmm,-	2	SA	
	AH83-00029A	CKD-PASSED-LABEL;VR9060,ART 90g(WHI	1	SNA			AH81-04888A	SPEAKER-PART;PS-Z120,CENTER SPK WOO	1	SA	
	AH83-00030A	CKD-PCB;VR9060,FR-1,40.0*213*1.6T	1	SNA			AH81-04889A	SPEAKER;PS-Z120,BACK LABEL,CENTER S	1	SNA	
	AH83-00031A	CKD-R-CHIP;VR9060,22,J,1/8W,2012,SM	1	SNA			AH81-04899A	SPEAKER;PS-Z120,NET FRONT ASS'Y,NET	1	SA	
	AH83-00032A	CKD-C-CHIP;VR9060,104,Z,50V,2012,SM	1	SNA			AH81-04655A	SPEAKER;NET FRAME_S,100*100*15,HIPS	1	SA	
	AH83-00033A	CKD-LED-IR;VR9060,S15312-H,CLEAR,5.	1	SNA			AH81-04910A	AUDIO-RECEIVER;PS-Z120,SPK CORD WIR	1	SA	
	AH83-00034A	CKD-LED-CHIP;VR9060,SY1216-C,ORANGE	2	SNA							
	AH83-00035A	CKD-R-CHIP;VR9060,4.7,J,1/8W,2012,S	1	SNA			AH59-02153B	SPEAKER SYSTEM-SYSTEM;PS-Z120,PS-WZ	1	SNA	
	AH83-00036A	CKD-TR-CHIP;VR9060,STC3265Y/2SC5344	1	SNA			AH81-04969A	SPEAKER;PS-Z120,SUBWOOFER,SPEAKER S	1	SA	
	AK83-01003A	CKD-DOOR-BATTERY;VR9047,ABS(HF-0680	1	SNA			AH64-04881A	PANEL FRONT-SW;PS-Z120,PANEL FRONT_	1	SA	
	AK83-01013A	CKD-E-CAPACITOR;VR9047,47uF,16V,M,5	1	SNA			AH81-04928A	SPEAKER-PART;PS-Z120,SUBWOOFER UNIT	1	SA	
	AK83-01017A	CKD-RESONATOR-CERAMIC;VR9047,4.0MHz	1	SNA			AH81-04929A	SPEAKER-PART;PS-Z120,CABINET,-,-,-	1	SA	
	AK83-01018A	CKD-IC-MCU;VR9047,ADAM40P2728,SOP	1	SNA			AH81-04930A	SPEAKER-PART;PS-Z120,DUCT PAPER,47.	1	SA	
	AH59-02152B	SPEAKER SYSTEM-SYSTEM;PS-Z120,PS-FR	1	SNA			AH81-04931A	SPEAKER-PART;PS-Z120,FOOT,POROLY,12	4	SA	
	AH81-04868A	SYSTEM;PS-Z120,FRONT-LEFT SPK SYSTE	1	SA			AH81-04932A	SPEAKER-PART;PS-Z120,EPS RING,53 x	1	SA	
	AH81-04665A	SPEAKER;REAR CASE_S,100*100*15,HIPS	1	SA			AH81-04933A	SPEAKER-PART;PS-Z120,SCREW,3 x 12mm	4	SA	
	AH81-04880A	SPEAKER;PS-Z120,BACK LABEL,FRONT-LI	1	SNA			AH81-04934A	SPEAKER-PART;PS-Z120,WIRE,3.2M,-,-,	1	SA	
	AH81-04881A	SPEAKER;PS-Z120,SCREW,-,-,-,-	4	SA			AH81-04935A	SPEAKER-PART;PS-Z120,BACK LABEL,50*	1	SNA	
	AH81-04882A	SPEAKER;PS-Z120,FOOT,4.8 x 2.0Tmm,-	2	SA			AH81-04936A	SPEAKER-PART;PS-Z120,SUBWOOFER,COLO	1	SNA	
	AH81-04891A	SPEAKER;PS-Z220,WOOFER UNIT,FRONT S	1	SA			AH81-04937A	SPEAKER-PART;PS-Z120,SUBWOOFER,CUSH	1	SNA	
	AH81-04899A	SPEAKER;PS-Z120,NET FRONT ASS'Y,NET	1	SA			AH81-04938A	SPEAKER-PART;PS-Z120,SUBWOOFER,CUSH	1	SNA	
	AH81-04655A	SPEAKER;NET FRAME_S,100*100*15,HIPS	1	SA			AH81-04939A	SPEAKER-PART;PS-Z120,SUBWOOFER,PO B	1	SA	
	AH81-04905A	AUDIO-RECEIVER;PS-Z120,FRONT-LEFT,S	1	SA			AH81-04940A	SPEAKER-PART;PS-Z120,SUBWOOFER,EVA,	1	SNA	
	AH81-04869A	SYSTEM;PS-Z120,FRONT-RIGHT SPK SYST	1	SA			AH97-00846A	ASSY SUB MATERIAL;AH97-00846A,-,-,-	1	SNA	
	AH81-04665A	SPEAKER;REAR CASE_S,100*100*15,HIPS	1	SA			0201-001356	CEMEDINE;A121	0.003	SNA	
	AH81-04879A	SPEAKER;NET FRAME_S,100*100*15,HIPS	1	SNA			0201-001357	ADHESIVE-STRL;THREE BOND 1401B,GRN,	0.5	SNA	
	AH81-04881A	SPEAKER;PS-Z120,SCREW,-,-,-,-	4	SA		FIL	0203-000007	TAPE-FILAMENT;T0.15,L55M,TRP	0.1	SNA	
	AH81-04882A	SPEAKER;PS-Z120,FOOT,4.8 x 2.0Tmm,-	2	SA			0203-001100	TAPE-OPP MASKING;OPP/W75CLR,T0.05,	1.5	SNA	
	AH81-04891A	SPEAKER;PS-Z220,WOOFER UNIT,FRONT S	1	SA			0203-001362	TAPE-DOUBLE FACE;#570 W10X50M CLR	0.1	SNA	
	AH81-04899A	SPEAKER;PS-Z120,NET FRONT ASS'Y,NET	1	SA			0205-001366	GREASE-SILICON;T4110	0.001	SNA	
	AH81-04655A	SPEAKER;NET FRAME_S,100*100*15,HIPS	1	SA			PCB-MAIN	AH92-03012B	ASSY PCB MAIN;-HT-Z120,MAIN PCB-AS	1	SA
	AH81-04906A	AUDIO-RECEIVER;PS-Z120,FRONT-RIGHT,	1	SA			AC1	2203-005249	C-CER,CHIP;100nF,10%,50V,X7R,TP,160	1	SA
	AH81-04870A	SYSTEM;PS-Z120,REAR-LEFT SPK SYSTE,	1	SA			AC10	2401-000651	C-AL;2.2uF,20%,50V,GP,TP,4x7,5	1	SA
	AH81-04665A	SPEAKER;REAR CASE_S,100*100*15,HIPS	1	SA			AC100	2203-001634	C-CER,CHIP;33nF,10%,50V,X7R,1608	1	SA
	AH81-04881A	SPEAKER;PS-Z120,SCREW,-,-,-,-	4	SA			AC101	2203-006348	C-CER,CHIP;1000nF,10%,25V,X5R,TP,16	1	SA
	AH81-04882A	SPEAKER;PS-Z120,FOOT,4.8 x 2.0Tmm,-	2	SA			AC102	2203-006348	C-CER,CHIP;1000nF,10%,25V,X5R,TP,16	1	SA
	AH81-04887A	SPEAKER;PS-Z120,BACK LABEL,REAR-LEF	1	SNA			AC103	2203-000440	C-CER,CHIP;1nF,10%,50V,X7R,1608	1	SA
	AH81-04894A	SPEAKER;PS-Z220,WOOFER UNIT,REAR SP	1	SA			AC104	2203-000189	C-CER,CHIP;100nF,+80-20%,25V,Y5V,16	1	SA
	AH81-04899A	SPEAKER;PS-Z120,NET FRONT ASS'Y,NET	1	SA			AC105	2203-006361	C-CER,CHIP;10000nF,10%,10V,X5R,TP,2	1	SA
	AH81-04655A	SPEAKER;NET FRAME_S,100*100*15,HIPS	1	SA			AC106	2203-006361	C-CER,CHIP;10000nF,10%,10V,X5R,TP,2	1	SA
	AH81-04908A	AUDIO-RECEIVER;PS-Z120,REAR-LEFT,SP	1	SA			AC107	2203-006348	C-CER,CHIP;1000nF,10%,25V,X5R,TP,16	1	SA
	AH81-04871A	SYSTEM;PS-Z120,REAR-RIGHT SPK SYSTE	1	SA			AC108	2203-006348	C-CER,CHIP;1000nF,10%,25V,X5R,TP,16	1	SA
	AH81-04665A	SPEAKER;REAR CASE_S,100*100*15,HIPS	1	SA			AC109	2203-000440	C-CER,CHIP;1nF,10%,50V,X7R,1608	1	SA
	AH81-04881A	SPEAKER;PS-Z120,SCREW,-,-,-,-	4	SA			AC11	2401-000651	C-AL;2.2uF,20%,50V,GP,TP,4x7,5	1	SA
	AH81-04882A	SPEAKER;PS-Z120,FOOT,4.8 x 2.0Tmm,-	2	SA			AC110	2203-000189	C-CER,CHIP;100nF,+80-20%,25V,Y5V,16	1	SA
	AH81-04886A	SPEAKER;PS-Z120,BACK LABEL,REAR-RIG	1	SNA							
	AH81-04894A	SPEAKER;PS-Z220,WOOFER UNIT,REAR SP	1	SA							

Exploded View & Part List

Loc. No.	Part No.	Description;Specification	Q'ty	SNA	Remark	Loc. No.	Part No.	Description;Specification	Q'ty	SNA	Remark
AC111	2203-006361	C-CER,CHIP;1000nF,10%,10V,X5R,TP,2	1	SA		AC66	2203-000257	C-CER,CHIP;10nF,10%,50V,X7R,TP,1608	1	SA	
AC112	2203-006361	C-CER,CHIP;1000nF,10%,10V,X5R,TP,2	1	SA		AC69	2203-005249	C-CER,CHIP;100nF,10%,50V,X7R,TP,160	1	SA	
AC113	2203-006348	C-CER,CHIP;1000nF,10%,25V,X5R,TP,16	1	SA		AC7	2401-000042	C-AL;100uF,20%,16V,GP,TP,6.3x7,5	1	SA	
AC114	2203-005249	C-CER,CHIP;100nF,10%,50V,X7R,TP,160	1	SA		AC70	2203-000257	C-CER,CHIP;10nF,10%,50V,X7R,TP,1608	1	SA	
AC12	2203-005249	C-CER,CHIP;100nF,10%,50V,X7R,TP,160	1	SA		AC71	2203-005249	C-CER,CHIP;100nF,10%,50V,X7R,TP,160	1	SA	
AC120A	2203-007338	C-CER,CHIP;470nF,10%,100V,X7R,TP,32	1	SA		AC72	2401-004106	C-AL;680uF,20%,50V,-BK,12.5 x 35,5	1	SA	
AC121	2203-000257	C-CER,CHIP;10nF,10%,50V,X7R,TP,1608	1	SA		AC73	2203-001634	C-CER,CHIP;33nF,10%,50V,X7R,1608	1	SA	
AC122	2203-000257	C-CER,CHIP;10nF,10%,50V,X7R,TP,1608	1	SA		AC74	2203-006348	C-CER,CHIP;1000nF,10%,25V,X5R,TP,16	1	SA	
AC123	2203-000206	C-CER,CHIP;100nF,10%,50V,X7R,TP,201	1	SA		AC75	2203-006348	C-CER,CHIP;1000nF,10%,25V,X5R,TP,16	1	SA	
AC124	2203-000206	C-CER,CHIP;100nF,10%,50V,X7R,TP,201	1	SA		AC76	2203-001634	C-CER,CHIP;33nF,10%,50V,X7R,1608	1	SA	
AC125	2203-000440	C-CER,CHIP;1nF,10%,50V,X7R,1608	1	SA		AC77	2203-000257	C-CER,CHIP;10nF,10%,50V,X7R,TP,1608	1	SA	
AC126	2203-000257	C-CER,CHIP;10nF,10%,50V,X7R,TP,1608	1	SA		AC78	2203-005249	C-CER,CHIP;100nF,10%,50V,X7R,TP,160	1	SA	
AC127	2203-005249	C-CER,CHIP;100nF,10%,50V,X7R,TP,160	1	SA		AC8	2401-001975	C-AL;47uF,20%,16V,GP,TP,5x11mm,5mm	1	SA	
AC128	2203-001634	C-CER,CHIP;33nF,10%,50V,X7R,1608	1	SA		AC82	2203-005249	C-CER,CHIP;100nF,10%,50V,X7R,TP,160	1	SA	
AC13	2203-005249	C-CER,CHIP;100nF,10%,50V,X7R,TP,160	1	SA		AC83	2203-005249	C-CER,CHIP;100nF,10%,50V,X7R,TP,160	1	SA	
AC14	2203-005249	C-CER,CHIP;100nF,10%,50V,X7R,TP,160	1	SA		AC84	2203-000257	C-CER,CHIP;10nF,10%,50V,X7R,TP,1608	1	SA	
AC15	2203-005249	C-CER,CHIP;100nF,10%,50V,X7R,TP,160	1	SA		AC85	2203-005249	C-CER,CHIP;100nF,10%,50V,X7R,TP,160	1	SA	
AC16	2203-005249	C-CER,CHIP;100nF,10%,50V,X7R,TP,160	1	SA		AC87	2203-001634	C-CER,CHIP;33nF,10%,50V,X7R,1608	1	SA	
AC17	2203-005249	C-CER,CHIP;100nF,10%,50V,X7R,TP,160	1	SA		AC88	2203-005249	C-CER,CHIP;100nF,10%,50V,X7R,TP,160	1	SA	
AC18	2203-005249	C-CER,CHIP;100nF,10%,50V,X7R,TP,160	1	SA		AC89A	2203-007338	C-CER,CHIP;470nF,10%,100V,X7R,TP,32	1	SA	
AC19	2203-005249	C-CER,CHIP;100nF,10%,50V,X7R,TP,160	1	SA		AC9	2401-001975	C-AL;47uF,20%,16V,GP,TP,5x11mm,5mm	1	SA	
AC20	2203-005249	C-CER,CHIP;100nF,10%,50V,X7R,TP,160	1	SA		AC90	2203-000257	C-CER,CHIP;10nF,10%,50V,X7R,TP,1608	1	SA	
AC21	2203-000257	C-CER,CHIP;10nF,10%,50V,X7R,TP,1608	1	SA		AC91	2203-000257	C-CER,CHIP;10nF,10%,50V,X7R,TP,1608	1	SA	
AC22	2203-000925	C-CER,CHIP;470nF,+80-20%,50V,Y5V,20	1	SA		AC92	2203-000206	C-CER,CHIP;100nF,10%,50V,X7R,TP,201	1	SA	
AC23	2401-000832	C-AL;220uF,20%,25V,GP,TP,8x11.5,5	1	SA		AC93	2203-000206	C-CER,CHIP;100nF,10%,50V,X7R,TP,201	1	SA	
AC24	2401-000832	C-AL;220uF,20%,25V,GP,TP,8x11.5,5	1	SA		AC96	2203-005249	C-CER,CHIP;100nF,10%,50V,X7R,TP,160	1	SA	
AC25	2203-000257	C-CER,CHIP;10nF,10%,50V,X7R,TP,1608	1	SA		AC97	2203-000257	C-CER,CHIP;10nF,10%,50V,X7R,TP,1608	1	SA	
AC26	2203-000925	C-CER,CHIP;470nF,+80-20%,50V,Y5V,20	1	SA		AC98A	2203-007338	C-CER,CHIP;470nF,10%,100V,X7R,TP,32	1	SA	
AC27A	2203-007338	C-CER,CHIP;470nF,10%,100V,X7R,TP,32	1	SA		AD1	0403-000720	DIODE-ZENER;MTZJ9.1B,8.57-9.01V,500	1	SA	
AC28	2401-000832	C-AL;220uF,20%,25V,GP,TP,8x11.5,5	1	SA		AD2	0403-001321	DIODE-ZENER;MTZJ6.8C,6.7-6.97V,500m	1	SA	
AC29	2401-000832	C-AL;220uF,20%,25V,GP,TP,8x11.5,5	1	SA		AD6	0401-001099	DIODE-SWITCHING;1N4148WS,75V,150mA,	1	SA	
AC30	2203-000257	C-CER,CHIP;10nF,10%,50V,X7R,TP,1608	1	SA		AD7	0401-001099	DIODE-SWITCHING;1N4148WS,75V,150mA,	1	SA	
AC31	2203-000925	C-CER,CHIP;470nF,+80-20%,50V,Y5V,20	1	SA		AIC1	1201-002673	IC-AUDIO AMP;TAS5352DDV,HTSSOP,44P,	1	SA	
AC32A	2203-007338	C-CER,CHIP;470nF,10%,100V,X7R,TP,32	1	SA		AIC2	1201-002679	IC-AUDIO AMP;TAS5342DDV,HTSSOP,44P,	1	SA	
AC33	2401-000832	C-AL;220uF,20%,25V,GP,TP,8x11.5,5	1	SA		AIC3	1201-000163	IC-OP AMP;4560,SOP,8P,173MIL,DUAL,1	1	SA	
AC34	2401-000832	C-AL;220uF,20%,25V,GP,TP,8x11.5,5	1	SA		AJACK1	3716-001326	TERMINAL-BLOCK;WIRE,6P,4mm,30V,3A	1	SA	
AC35	2203-000257	C-CER,CHIP;10nF,10%,50V,X7R,TP,1608	1	SA		AJACK2	3716-001325	TERMINAL-BLOCK;WIRE,6P,4mm,30V,3A	1	SA	
AC36	2203-000925	C-CER,CHIP;470nF,+80-20%,50V,Y5V,20	1	SA		AL1	3301-001495	BEAD-SMD;120ohm,2012,2500mA,TP,115o	1	SA	
AC37A	2203-007338	C-CER,CHIP;470nF,10%,100V,X7R,TP,32	1	SA		AL10	AH27-00069A	COIL FILTER;8019P-02-220L,22uH,0.1o	1	SA	
AC38	2401-000832	C-AL;220uF,20%,25V,GP,TP,8x11.5,5	1	SA		AL11	AH27-00069A	COIL FILTER;8019P-02-220L,22uH,0.1o	1	SA	
AC39	2401-000832	C-AL;220uF,20%,25V,GP,TP,8x11.5,5	1	SA		AL2	3301-001495	BEAD-SMD;120ohm,2012,2500mA,TP,115o	1	SA	
AC45	2203-006348	C-CER,CHIP;1000nF,10%,25V,X5R,TP,16	1	SA		AL3	3301-000297	BEAD-AXIAL;25ohm,3.6x1.2x5.7mm,-,TP	1	SA	
AC46	2203-001634	C-CER,CHIP;33nF,10%,50V,X7R,1608	1	SA		AL4	AH27-00069A	COIL FILTER;8019P-02-220L,22uH,0.1o	1	SA	
AC47	2203-000257	C-CER,CHIP;10nF,10%,50V,X7R,TP,1608	1	SA		AL5	AH27-00069A	COIL FILTER;8019P-02-220L,22uH,0.1o	1	SA	
AC48	2203-005249	C-CER,CHIP;100nF,10%,50V,X7R,TP,160	1	SA		AL6	AH27-00069A	COIL FILTER;8019P-02-220L,22uH,0.1o	1	SA	
AC50	2203-005249	C-CER,CHIP;100nF,10%,50V,X7R,TP,160	1	SA		AL7	AH27-00069A	COIL FILTER;8019P-02-220L,22uH,0.1o	1	SA	
AC51	2203-000257	C-CER,CHIP;10nF,10%,50V,X7R,TP,1608	1	SA		AL8	AH27-00069A	COIL FILTER;8019P-02-220L,22uH,0.1o	1	SA	
AC52	2203-000257	C-CER,CHIP;10nF,10%,50V,X7R,TP,1608	1	SA		AL9	AH27-00069A	COIL FILTER;8019P-02-220L,22uH,0.1o	1	SA	
AC55	2203-005249	C-CER,CHIP;100nF,10%,50V,X7R,TP,160	1	SA		AQ2	0501-000422	TR-SMALL SIGNAL;KTA1273,PNP,-30V,-3	1	SA	
AC56	2203-000257	C-CER,CHIP;10nF,10%,50V,X7R,TP,1608	1	SA		AQ3	0501-000422	TR-SMALL SIGNAL;KTA1273,PNP,-30V,-3	1	SA	
AC57	2203-000257	C-CER,CHIP;10nF,10%,50V,X7R,TP,1608	1	SA		AQ4	0501-000341	TR-SMALL SIGNAL;KSC1623-L,NPN,200mW	1	SA	
AC58	2203-005249	C-CER,CHIP;100nF,10%,50V,X7R,TP,160	1	SA		AQ5	0504-000128	TR-DIGITAL;-NPN,200MW,22K/22K,SOT-	1	SA	
AC59	2203-005249	C-CER,CHIP;100nF,10%,50V,X7R,TP,160	1	SA		AR1	2007-002425	R-CHIP;1ohm,5%,1/10W,TP,1608	1	SA	
AC60	2401-004106	C-AL;680uF,20%,50V,-BK,12.5 x 35,5	1	SA		AR13	2001-001165	R-CARBON(S);56ohm,5%,1/2W,AA,TP,2,4	1	SA	
AC62	2203-001634	C-CER,CHIP;33nF,10%,50V,X7R,1608	1	SA		AR14	2007-000097	R-CHIP;47Kohm,5%,1/10W,TP,1608	1	SA	
AC63	2203-001634	C-CER,CHIP;33nF,10%,50V,X7R,1608	1	SA		AR15	2001-000020	R-CARBON(S);22ohm,5%,1/2W,AA,TP,2,4	1	SA	
AC64	2203-005249	C-CER,CHIP;100nF,10%,50V,X7R,TP,160	1	SA		AR16	2001-000022	R-CARBON(S);33ohm,5%,1/2W,AA,TP,2,4	1	SA	
AC65	2203-000257	C-CER,CHIP;10nF,10%,50V,X7R,TP,1608	1	SA		AR17	2007-000097	R-CHIP;47Kohm,5%,1/10W,TP,1608	1	SA	

Loc. No.	Part No.	Description;Specification	Q'ty	SNA	Remark	Loc. No.	Part No.	Description;Specification	Q'ty	SNA	Remark
AR18	2007-000084	R-CHIP;4.7Kohm,5%,1/10W,TP,1608	1		SA						
AR19	2007-000090	R-CHIP;10Kohm,5%,1/10W,TP,1608	1		SA	AR93	2007-000074	R-CHIP;100ohm,5%,1/10W,TP,1608	1		SA
AR2	2007-002425	R-CHIP;1ohm,5%,1/10W,TP,1608	1		SA	AR94	2007-000312	R-CHIP;10ohm,5%,1/4W,TP,3216	1		SA
AR20	2007-000282	R-CHIP;100Kohm,5%,1/8W,TP,2012	1		SA	AR95	2007-000034	R-CHIP;1ohm,5%,1/4W,TP,3216	1		SA
						AR96	2007-000981	R-CHIP;5.6Kohm,5%,1/8W,TP,2012	1		SA
AR21	2007-000090	R-CHIP;10Kohm,5%,1/10W,TP,1608	1		SA	ASSY	AH94-02237C	ASSY-NOR FLASH;HT-Z320,M3025L1605A,M	1		SNA
AR22	2007-000082	R-CHIP;3.3Kohm,5%,1/10W,TP,1608	1		SA	BCC1	2203-005148	C-CER,CHIP;100nF,10%,16V,X7R,TP,160	1		SA
AR23	2007-000097	R-CHIP;47Kohm,5%,1/10W,TP,1608	1		SA	BCR1	2007-000078	R-CHIP;1Kohm,5%,1/10W,TP,1608	1		SA
AR24	2007-000097	R-CHIP;47Kohm,5%,1/10W,TP,1608	1		SA	BCR2	2007-000078	R-CHIP;1Kohm,5%,1/10W,TP,1608	1		SA
AR25	2007-000097	R-CHIP;47Kohm,5%,1/10W,TP,1608	1		SA	BD1	0403-000355	DIODE-ZENER;UZ5.1BSB,5-5.2V,500MW,D	1		SA
						BD2	0401-001099	DIODE-SWITCHING;1N4148WS,75V,150mA,	1		SA
AR26	2007-000097	R-CHIP;47Kohm,5%,1/10W,TP,1608	1		SA	BL1	3301-000297	BEAD-AXIAL;25ohm,3.6x1.2x5.7mm,-,TP	1		SA
AR27	2007-000090	R-CHIP;10Kohm,5%,1/10W,TP,1608	1		SA	BL12	3301-001495	BEAD-SMD;120ohm,2012,2500mA,TP,115o	1		SA
AR28	2007-000090	R-CHIP;10Kohm,5%,1/10W,TP,1608	1		SA	BL13	3301-001495	BEAD-SMD;120ohm,2012,2500mA,TP,115o	1		SA
AR29	2007-000090	R-CHIP;10Kohm,5%,1/10W,TP,1608	1		SA	BQ1	0501-000369	TR-SMALL SIGNAL;-KSC2331-Y,NPN,1000m	1		SA
AR3	2007-000090	R-CHIP;10Kohm,5%,1/10W,TP,1608	1		SA	BQ2	0501-000303	TR-SMALL SIGNAL;-KSA733,PNP,250mW,TO	1		SA
						C1	2201-000146	C-CERAMIC,DISC;0.1nF,5%,50V,SL,TP,5	1		SA
AR30	2001-001165	R-CARBON(S);56ohm,5%,1/2W,AA,TP,2.4	1		SA	C2	2201-000021	C-CERAMIC,DISC;100NF,+80-20%,50V,Y5	1		SA
AR31	2007-000090	R-CHIP;10Kohm,5%,1/10W,TP,1608	1		SA	C3	2201-000281	C-CERAMIC,DISC;1nF,+80-20%,50V,Y5V,	1		SA
AR32	2007-000981	R-CHIP;5.6Kohm,5%,1/8W,TP,2012	1		SA	C3501	2203-001143	C-CER,CHIP;68nF,10%,50V,X7R,2012	1		SA
AR33	2007-000872	R-CHIP;4.7Kohm,5%,1/8W,TP,2012	1		SA	C3502	2203-001223	C-CER,CHIP;0.82nF,10%,50V,X7R,2012	1		SA
AR34	2007-000872	R-CHIP;4.7Kohm,5%,1/8W,TP,2012	1		SA						
AR35	2007-000824	R-CHIP;390ohm,5%,1/4W,TP,3216	1		SA	C3503	2203-000783	C-CER,CHIP;0.33nF,5%,50V,C0G,1608	1		SA
AR36	2007-000695	R-CHIP;3.3ohm,5%,1/10W,TP,1608	1		SA	C3504	2203-005249	C-CER,CHIP;100nF,10%,50V,X7R,TP,160	1		SA
AR37	2007-000695	R-CHIP;3.3ohm,5%,1/10W,TP,1608	1		SA	C3505	2201-000021	C-CERAMIC,DISC;100NF,+80-20%,50V,Y5	1		SA
AR38	2007-000824	R-CHIP;390ohm,5%,1/4W,TP,3216	1		SA	C3506	2203-000440	C-CER,CHIP;1nF,10%,50V,X7R,1608	1		SA
AR39	2007-000824	R-CHIP;390ohm,5%,1/4W,TP,3216	1		SA	C3507	2203-000206	C-CER,CHIP;100nF,10%,50V,X7R,TP,201	1		SA
AR4	2007-000090	R-CHIP;10Kohm,5%,1/10W,TP,1608	1		SA						
AR40	2007-000695	R-CHIP;3.3ohm,5%,1/10W,TP,1608	1		SA	C3508	2203-001524	C-CER,CHIP;0.047nF,5%,50V,NP0,TP,20	1		SA
AR41	2007-000695	R-CHIP;3.3ohm,5%,1/10W,TP,1608	1		SA	C4	2301-000129	C-FILM,LEAD-PEF;100nF,5%,50V,TP,10X	1		SA
AR42	2007-000824	R-CHIP;390ohm,5%,1/4W,TP,3216	1		SA	C5	2201-000146	C-CERAMIC,DISC;0.1nF,5%,50V,SL,TP,5	1		SA
AR45	2007-000312	R-CHIP;10ohm,5%,1/4W,TP,3216	1		SA	CA1	2401-003030	C-AL;220uF,20%,450V,GP,BK,30x35,10	1		SA
AR46	2007-000695	R-CHIP;3.3ohm,5%,1/10W,TP,1608	1		SA	CA1201	2401-003139	C-AL;1000uF,20%,25V,WT,TP,10*20,5mm	1		SA
AR48	2007-000695	R-CHIP;3.3ohm,5%,1/10W,TP,1608	1		SA						
AR49	2007-000695	R-CHIP;3.3ohm,5%,1/10W,TP,1608	1		SA	CA1202	2401-001364	C-AL;470uF,20%,16V,GP,TP,10x12.5,5	1		SA
AR55	2007-000695	R-CHIP;3.3ohm,5%,1/10W,TP,1608	1		SA	CA2	2401-000480	C-AL;10uF,20%,50V,GP,TP,5x11,5	1		SA
AR56	2007-000695	R-CHIP;3.3ohm,5%,1/10W,TP,1608	1		SA	CA3	2401-000360	C-AL;100uF,20%,50V,GP,TP,8x11.5,5	1		SA
AR58	2007-000695	R-CHIP;3.3ohm,5%,1/10W,TP,1608	1		SA	CA32N01	2401-000360	C-AL;100uF,20%,50V,GP,TP,8x11.5,5	1		SA
AR59	2007-000695	R-CHIP;3.3ohm,5%,1/10W,TP,1608	1		SA	CA3301	2401-003439	C-AL;1500uF,20%,6.3V,LZ,TP,10X20mm,	1		SA
AR6	2007-000695	R-CHIP;3.3ohm,5%,1/10W,TP,1608	1		SA						
AR65	2007-000695	R-CHIP;3.3ohm,5%,1/10W,TP,1608	1		SA	CA3302	2401-001992	C-AL;2200UF,20%,10V,WT,TP,10X20MM,5	1		SA
AR66	2007-000312	R-CHIP;10ohm,5%,1/4W,TP,3216	1		SA	CA3501	2401-002335	C-AL;1000uF,20%,63V,LZ,BK,16x40,7,5	1		SA
						CA3502	2401-002335	C-AL;1000uF,20%,63V,LZ,BK,16x40,7,5	1		SA
AR67	2007-000312	R-CHIP;10ohm,5%,1/4W,TP,3216	1		SA	CA3503	2401-003850	C-AL;1000UF,20%,50V,WT,TP,12.5 X 25	1		SA
AR68	2007-000695	R-CHIP;3.3ohm,5%,1/10W,TP,1608	1		SA	CA3504	2401-003850	C-AL;1000UF,20%,50V,WT,TP,12.5 X 25	1		SA
AR73	2007-000695	R-CHIP;3.3ohm,5%,1/10W,TP,1608	1		SA	CA401	2401-001126	C-AL;330uF,20%,25V,WT,TP,10x12.5,5	1		SA
AR74	2007-002425	R-CHIP;1ohm,5%,1/10W,TP,1608	1		SA	CA501	2401-003378	C-AL;1000##F,20%,10V,WT,-,10x12.5,5	1		SA
AR75	2007-002425	R-CHIP;1ohm,5%,1/10W,TP,1608	1		SA	CA5601	2401-003785	C-AL;1000UF,20%,16V,WT,TP,10X20MM,5	1		SA
AR76	2007-000090	R-CHIP;10Kohm,5%,1/10W,TP,1608	1		SA	CA5602	2401-003378	C-AL;1000##F,20%,10V,WT,-,10x12.5,5	1		SA
AR77	2007-000090	R-CHIP;10Kohm,5%,1/10W,TP,1608	1		SA	CAPS1	2401-000487	C-AL;10uF,20%,50V,GP,TP,6.3x5mm,5	1		SA
AR80	2007-000695	R-CHIP;3.3ohm,5%,1/10W,TP,1608	1		SA						
AR81	2007-000312	R-CHIP;10ohm,5%,1/4W,TP,3216	1		SA	CC01	2203-001607	C-CER,CHIP;0.22nF,5%,50V,NP0,1608	1		SA
AR82	2007-000312	R-CHIP;10ohm,5%,1/4W,TP,3216	1		SA	CF1	2301-001796	C-FILM,PEF;0.56nF,5%,1000V,23x12mm	1		SA
AR83	2007-000070	R-CHIP;0ohm,5%,1/10W,TP,1608	1		SA	CF2	2305-001016	C-FILM,LEAD-PEF;10nF,10%,630V,TP,12	1		SA
AR84	2007-000074	R-CHIP;100ohm,5%,1/10W,TP,1608	1		SA	CFB1	2203-000815	C-CER,CHIP;0.033nF,5%,50V,C0G,1608	1		SA
AR85	2007-000100	R-CHIP;68Kohm,5%,1/10W,TP,1608	1		SA	CFFB1	2301-000412	C-FILM,LEAD-PEF;22nF,10%,50V,TP,8x1	1		SA
AR86	2007-000074	R-CHIP;100ohm,5%,1/10W,TP,1608	1		SA						
AR87	2007-000312	R-CHIP;10ohm,5%,1/4W,TP,3216	1		SA	CLAMP-CORD	AH65-30013A	CLAMP-CORD;-,-,-,-,-,-	1		SA
AR88	2007-000034	R-CHIP;1ohm,5%,1/4W,TP,3216	1		SA	CNP2	3711-000820	HEADER-BOARD TO CABLE;BOX,2P,1R,2,5	1		SA
AR89	2007-000312	R-CHIP;10ohm,5%,1/4W,TP,3216	1		SA	CON1	3711-000203	HEADER-BOARD TO CABLE;1WALL,2P/3P,1	1		SA
AR90	2007-000070	R-CHIP;0ohm,5%,1/10W,TP,1608	1		SA	CON2	3711-000471	HEADER-BOARD TO CABLE;3WALL,4P,1R,2	1		SA
AR91	2007-000074	R-CHIP;100ohm,5%,1/10W,TP,1608	1		SA	CON3	AH39-00754A	LEAD CONNECTOR;HT-TX500,4P,2mm,70mm	1		SA
AR92	2007-000129	R-CHIP;27Kohm,5%,1/10W,TP,1608	1		SA						
						CX1	2301-001220	C-FILM,LEAD-PPF;100nF,10%,275V,BK,1	1		SA
						CX2	2301-001511	C-FILM,LEAD-PEF;330NF,10%,275V,BK,1	1		SA
						CX3	2301-001220	C-FILM,LEAD-PPF;100nF,10%,275V,BK,1	1		SA

Exploded View & Part List

Loc. No.	Part No.	Description;Specification	Q'ty	SNA	Remark	Loc. No.	Part No.	Description;Specification	Q'ty	SNA	Remark
CY1	2201-002213	C-CERAMIC,DISC;.47nF,10%,400V,Y5P,-	1		SA	FFR2	2007-000253	R-CHIP;1.5ohm,5%,1/4W,TP,3216	1		SA
CY2	2201-002213	C-CERAMIC,DISC;.47nF,10%,400V,Y5P,-	1		SA	FFR3	2007-000090	R-CHIP;10Kohm,5%,1/10W,TP,1608	1		SA
CY3	2201-002213	C-CERAMIC,DISC;.47nF,10%,400V,Y5P,-	1		SA	FFR4	2007-000090	R-CHIP;10Kohm,5%,1/10W,TP,1608	1		SA
CY4	2201-002213	C-CERAMIC,DISC;.47nF,10%,400V,Y5P,-	1		SA	FFR7	2007-000101	R-CHIP;82Kohm,5%,1/10W,TP,1608	1		SA
CY5A	2305-001016	C-FILM,LEAD-PEF;10nF,10%,630V,TP,12	1		SA	FFR8	2007-000090	R-CHIP;10Kohm,5%,1/10W,TP,1608	1		SA
D2	0402-000274	DIODE-RECTIFIER;UF4004,400V,1A,DO-4	1		SA	FFR9	2007-000074	R-CHIP;100ohm,5%,1/10W,TP,1608	1		SA
D3	0402-000165	DIODE-RECTIFIER;1N5819,40V,1A,DO-41	1		SA	FIC1	1002-001548	IC-A/D CONVERTER;CS5345,24,LQFP,48P	1		SA
D3501	0402-000165	DIODE-RECTIFIER;1N5819,40V,1A,DO-41	1		SA	FJACK1	3722-002027	JACK-PIN;6P/6C,SN,YEL/GN/WH/BL/RD,A	1		SA
D3502	0402-000165	DIODE-RECTIFIER;1N5819,40V,1A,DO-41	1		SA	FL1	3301-001495	BEAD-SMD;120ohm,2012,2500mA,TP,115o	1		SA
D3503	0402-000268	DIODE-RECTIFIER;SB360,60V,3A,DO-201	1		SA	FL2	3301-001495	BEAD-SMD;120ohm,2012,2500mA,TP,115o	1		SA
D3504	0401-000005	DIODE-SWITCHING;1N4148,75V,150mA,DO	1		SNA	FL4	3301-001495	BEAD-SMD;120ohm,2012,2500mA,TP,115o	1		SA
D4	0402-000274	DIODE-RECTIFIER;UF4004,400V,1A,DO-4	1		SA	FL5	3301-001495	BEAD-SMD;120ohm,2012,2500mA,TP,115o	1		SA
D5	0401-000005	DIODE-SWITCHING;1N4148,75V,150mA,DO	1		SNA	FR10	2007-000074	R-CHIP;100ohm,5%,1/10W,TP,1608	1		SA
D6	0402-000274	DIODE-RECTIFIER;UF4004,400V,1A,DO-4	1		SA	FR11	2007-000070	R-CHIP;0ohm,5%,1/10W,TP,1608	1		SA
D7	0402-000012	DIODE-RECTIFIER;UF4007,1000V,1A,DO-	1		SA	FR12	2007-000070	R-CHIP;0ohm,5%,1/10W,TP,1608	1		SA
D8	0402-000165	DIODE-RECTIFIER;1N5819,40V,1A,DO-41	1		SA	FR13	2007-000070	R-CHIP;0ohm,5%,1/10W,TP,1608	1		SA
DR1201	0402-001604	DIODE-RECTIFIER;MUR420,200V,4A,DO-2	1		SA	FR14	2007-000070	R-CHIP;0ohm,5%,1/10W,TP,1608	1		SA
DR32N01	0402-000274	DIODE-RECTIFIER;UF4004,400V,1A,DO-4	1		SA	FR15	2007-000074	R-CHIP;100ohm,5%,1/10W,TP,1608	1		SA
DR3301	0404-001234	DIODE-SCHOTTKY;SHK65-45,60V,3000mA,	1		SA	FR16	2007-000074	R-CHIP;100ohm,5%,1/10W,TP,1608	1		SA
DR3301A	0404-001234	DIODE-SCHOTTKY;SHK65-45,60V,3000mA,	1		SA	FR17	2007-000074	R-CHIP;100ohm,5%,1/10W,TP,1608	1		SA
DR3501	0402-001783	DIODE-RECTIFIER;SF35G,300V,3A,DO-20	1		SA	FR18	2007-000082	R-CHIP;3.3Kohm,5%,1/10W,TP,1608	1		SA
DR3502	0402-001783	DIODE-RECTIFIER;SF35G,300V,3A,DO-20	1		SA	FR19	2007-000082	R-CHIP;3.3Kohm,5%,1/10W,TP,1608	1		SA
DR3503	0402-001783	DIODE-RECTIFIER;SF35G,300V,3A,DO-20	1		SA	FR20	2007-000082	R-CHIP;3.3Kohm,5%,1/10W,TP,1608	1		SA
DR401	0402-000274	DIODE-RECTIFIER;UF4004,400V,1A,DO-4	1		SA	FR21	2007-000082	R-CHIP;3.3Kohm,5%,1/10W,TP,1608	1		SA
DR5601	0402-001783	DIODE-RECTIFIER;SF35G,300V,3A,DO-20	1		SA	FR22	2007-000082	R-CHIP;3.3Kohm,5%,1/10W,TP,1608	1		SA
EC1	2203-005249	C-CER,CHIP;100nF,10%,50V,X7R,TP,160	1		SA	FR25	2007-000102	R-CHIP;100Kohm,5%,1/10W,TP,1608	1		SA
ESD1	0406-001128	DIODE-TVS;MLVS-0603-E08,50V	1		SA	FR26	2007-000102	R-CHIP;100Kohm,5%,1/10W,TP,1608	1		SA
ESD2	0406-001128	DIODE-TVS;MLVS-0603-E08,50V	1		SA	FR27	2007-000102	R-CHIP;100Kohm,5%,1/10W,TP,1608	1		SA
ESD3	0406-001128	DIODE-TVS;MLVS-0603-E08,50V	1		SA	FR28	2007-000102	R-CHIP;100Kohm,5%,1/10W,TP,1608	1		SA
ESD4	0406-001128	DIODE-TVS;MLVS-0603-E08,50V	1		SA	FR29	2007-000094	R-CHIP;22Kohm,5%,1/10W,TP,1608	1		SA
ESD5	0406-001128	DIODE-TVS;MLVS-0603-E08,50V	1		SA	FR30	2007-000094	R-CHIP;22Kohm,5%,1/10W,TP,1608	1		SA
ESD6	0406-001128	DIODE-TVS;MLVS-0603-E08,50V	1		SA	FR31	2007-000094	R-CHIP;22Kohm,5%,1/10W,TP,1608	1		SA
F1	3601-000263	FUSE-CARTRIDGE;250V,3.15A,TIME-LAG,	1		SA	FR32	2007-000094	R-CHIP;22Kohm,5%,1/10W,TP,1608	1		SA
FC1	2203-005148	C-CER,CHIP;100nF,10%,16V,X7R,TP,160	1		SA	FR5	2007-000074	R-CHIP;100ohm,5%,1/10W,TP,1608	1		SA
FC10	2401-000414	C-AL;10uF,20%,16V,GP,TP,4x7,5	1		SA	FR6	2007-000074	R-CHIP;100ohm,5%,1/10W,TP,1608	1		SA
FC11	2203-005148	C-CER,CHIP;100nF,10%,16V,X7R,TP,160	1		SA	FR7	2007-000074	R-CHIP;100ohm,5%,1/10W,TP,1608	1		SA
FC12	2401-001508	C-AL;47uF,20%,16V,GP,TP,6.3x5,5	1		SA	FR8	2007-000074	R-CHIP;100ohm,5%,1/10W,TP,1608	1		SA
FC13	2203-005148	C-CER,CHIP;100nF,10%,16V,X7R,TP,160	1		SA	FR9	2007-000074	R-CHIP;100ohm,5%,1/10W,TP,1608	1		SA
FC14	2203-005148	C-CER,CHIP;100nF,10%,16V,X7R,TP,160	1		SA	FUSECARRY	3602-000147	FUSE-CLIP;250V,7.5A,30mohm	2		SA
FC15	2203-005148	C-CER,CHIP;100nF,10%,16V,X7R,TP,160	1		SA	HDAMP	AH61-02805A	HOLDER-IC;HT-Z120,ABS,2,12,60	1		SA
FC16	2203-005148	C-CER,CHIP;100nF,10%,16V,X7R,TP,160	1		SA	HDVFD	AH61-02545A	HOLDER-VFD;HT-Z110,ABS,T25,W35,L79	1		SA
FC2	2203-005148	C-CER,CHIP;100nF,10%,16V,X7R,TP,160	1		SA	HR6F	2003-000587	R-METAL OXIDE(S);22ohm,5%,1W,AA,TP,	1		SA
FC20	2401-000651	C-AL;.2.2uF,20%,50V,GP,TP,4x7,5	1		SA	HR70	2007-000253	R-CHIP;1.5ohm,5%,1/4W,TP,3216	1		SA
FC21	2401-000651	C-AL;.2.2uF,20%,50V,GP,TP,4x7,5	1		SA	HR71	2007-000293	R-CHIP;100ohm,5%,1/4W,TP,3216	1		SA
FC22	2401-000651	C-AL;.2.2uF,20%,50V,GP,TP,4x7,5	1		SA	HR72	2007-000094	R-CHIP;22Kohm,5%,1/10W,TP,1608	1		SA
FC23	2203-000783	C-CER,CHIP;.0.33nF,5%,50V,C0G,1608	1		SA	HR76	2007-000074	R-CHIP;100ohm,5%,1/10W,TP,1608	1		SA
FC24	2203-000783	C-CER,CHIP;.0.33nF,5%,50V,C0G,1608	1		SA	HR77	2007-000116	R-CHIP;120ohm,5%,1/10W,TP,1608	1		SA
FC25	2401-000651	C-AL;.2.2uF,20%,50V,GP,TP,4x7,5	1		SA	HR7F	2007-000253	R-CHIP;1.5ohm,5%,1/4W,TP,3216	1		SA
FC3	2203-002398	C-CER,CHIP;22nF,10%,50V,X7R,1608	1		SA	HS-AMP	AH62-00202A	HEAT SINK-AMP;HT-Z120,AL,6.40,60,60	1		SA
FC4	2203-005148	C-CER,CHIP;100nF,10%,16V,X7R,TP,160	1		SA	HS-ESS	AH62-00062L	HEAT SINK;HT-Z320,AL EXTR	1		SA
FC5	2203-005148	C-CER,CHIP;100nF,10%,16V,X7R,TP,160	1		SA	HS-M1	AH62-30122A	HEAT SINK-POWER;1,AL,VO,T1.3,ANODIZ	1		SA
FC6	2401-000042	C-AL;100uF,20%,16V,GP,TP,6.3x7,5	1		SA	HS-M3501	AK62-00009A	HEAT SINK-MAIN;DVD-CM350,AL1050R,T1	1		SA
FC7	2203-000491	C-CER,CHIP;2.2nF,10%,50V,X7R,1608	1		SA	IC1	1203-004788	IC-PWM CONTROLLER;ICE2QS01,DIP,8P,9	1		SA
FC8	2203-000491	C-CER,CHIP;2.2nF,10%,50V,X7R,1608	1		SA	IC1201	1203-002183	IC-SWITCH VOL. REG.;.278R12,TO-220F-	1		SA
FC9	2401-000042	C-AL;100uF,20%,16V,GP,TP,6.3x7,5	1		SA	IC3301	1203-001586	IC-POSI.FIXED REG.;.278R33,TO-220F,4	1		SA
FFR1	2007-000253	R-CHIP;1.5ohm,5%,1/4W,TP,3216	1		SA	IC3501	1203-000391	IC-DC/DC CONVERTER;34063,DIP,8P,250	1		SA
FFR10	2007-000074	R-CHIP;100ohm,5%,1/10W,TP,1608	1		SA	IC501	1203-001589	IC-POSI.FIXED REG.;.278R05,TO-220F,4	1		SA
FFR11	2007-000074	R-CHIP;100ohm,5%,1/10W,TP,1608	1		SA	ICFB1	1203-000187	IC-POSI.ADJUST REG.;.431,TO-92,3P,-	1		SA
						L3501	AH27-00069A	COIL FILTER;8019P-02-220L,22uH,0.1o	1		SA

Loc. No.	Part No.	Description;Specification	Q'ty	SNA	Remark	Loc. No.	Part No.	Description;Specification	Q'ty	SNA	Remark
L5601	AH27-10001F	COIL-CHOKE;K,Q30,0.65,DR(6.5*7.5),2	1	SA		MC67	2401-001364	C-AL;470uF,20%,16V,GP,TP,10x12.5,5	1	SA	
LED1	0601-001238	LED;ROUND,RED,3.1mm,697nm,3.8x5.2mm	1	SA		MC7	2203-005148	C-CER,CHIP;100nF,10%,16V,X7R,TP,160	1	SA	
LF1_1	AH29-00015A	FILTER LINE;HT-Z110,SQ2424,1.1 OHM,	1	SA		MC8	2203-005148	C-CER,CHIP;100nF,10%,16V,X7R,TP,160	1	SA	
LF2_1	AH29-00015A	FILTER LINE;HT-Z110,SQ2424,1.1 OHM,	1	SA		MC9	2203-005148	C-CER,CHIP;100nF,10%,16V,X7R,TP,160	1	SA	
LOCK	AH61-40014A	SUPPORT-RIVET;-----	2	SA		MD1	0404-001089	DIODE-SCHOTTKY;RB551V-30,20V,500MA,	1	SA	
M1	0505-001667	FET-SILICON;SPA07N60C3,N,600V,4.3A,	1	SA		MD2	0402-000309	DIODE-RECTIFIER;1SR154-400,400V,1A,	1	SA	
MAIN-PCB	AH41-01207A	PCB (FR 4) 2L(AU)-MAIN PCB;HT-Z120,	1	SNA		MD3	0402-000309	DIODE-RECTIFIER;1SR154-400,400V,1A,	1	SA	
MC1	2203-000257	C-CER,CHIP;10nF,10%,50V,X7R,TP,1608	1	SA		MIC1	1204-002988	IC-PAL/NTSC DECODER;ES8390SCDB,LQFP	1	SA	
MC10	2203-005148	C-CER,CHIP;100nF,10%,16V,X7R,TP,160	1	SA		MIC2	1105-001573	IC-DRAM;K4S281632-,128Mbit,8Mx16Bi	1	SA	
MC11	2203-005148	C-CER,CHIP;100nF,10%,16V,X7R,TP,160	1	SA		MIC3	1107-001600	IC-NOR FLASH;MX25L1605A,16Mbit,2Mx8	1	SA	
MC12	2203-005148	C-CER,CHIP;100nF,10%,16V,X7R,TP,160	1	SA		MIC4	1103-001333	IC-EEPROM;24C08A,8Kbit,1Kx8,SOP8P,	1	SA	
MC13	2203-000646	C-CER,CHIP;0.024NF,5%,50V,C0G,TP,16	1	SA		ML1	3301-001495	BEAD-SMD;120ohm,2012,2500mA,TP,115o	1	SA	
MC14	2203-000681	C-CER,CHIP;0.027nF,5%,50V,C0G,1608	1	SA		ML11	3301-001495	BEAD-SMD;120ohm,2012,2500mA,TP,115o	1	SA	
MC15	2203-000646	C-CER,CHIP;0.024NF,5%,50V,C0G,TP,16	1	SA		ML13	3301-001495	BEAD-SMD;120ohm,2012,2500mA,TP,115o	1	SA	
MC16	2203-005148	C-CER,CHIP;100nF,10%,16V,X7R,TP,160	1	SA		ML15	3301-001495	BEAD-SMD;120ohm,2012,2500mA,TP,115o	1	SA	
MC17	2203-005148	C-CER,CHIP;100nF,10%,16V,X7R,TP,160	1	SA		ML17	3301-001495	BEAD-SMD;120ohm,2012,2500mA,TP,115o	1	SA	
MC18	2203-005148	C-CER,CHIP;100nF,10%,16V,X7R,TP,160	1	SA		ML20	3301-001069	BEAD-SMD;120ohm,1.6x0.8x0.8mm,200mA	1	SA	
MC19	2203-005148	C-CER,CHIP;100nF,10%,16V,X7R,TP,160	1	SA		ML21	3301-001069	BEAD-SMD;120ohm,1.6x0.8x0.8mm,200mA	1	SA	
MC2	2203-005819	C-CER,CHIP;100nF,+80-20%,16V,Y5V,T	1	SA		ML22	3301-001069	BEAD-SMD;120ohm,1.6x0.8x0.8mm,200mA	1	SA	
MC211	2203-000257	C-CER,CHIP;10nF,10%,50V,X7R,TP,1608	1	SA		ML23	3301-001069	BEAD-SMD;120ohm,1.6x0.8x0.8mm,200mA	1	SA	
MC22	2203-005148	C-CER,CHIP;100nF,10%,16V,X7R,TP,160	1	SA		ML3	3301-001495	BEAD-SMD;120ohm,2012,2500mA,TP,115o	1	SA	
MC221	2401-001508	C-AL;47uF,20%,16V,GP,TP,6.3x5.5	1	SA		ML4	3301-001495	BEAD-SMD;120ohm,2012,2500mA,TP,115o	1	SA	
MC227	2203-000440	C-CER,CHIP;1nF,10%,50V,X7R,1608	1	SA		ML5	3301-001495	BEAD-SMD;120ohm,2012,2500mA,TP,115o	1	SA	
MC229	2203-000257	C-CER,CHIP;10nF,10%,50V,X7R,TP,1608	1	SA		ML6	3301-001495	BEAD-SMD;120ohm,2012,2500mA,TP,115o	1	SA	
MC23	2203-005148	C-CER,CHIP;100nF,10%,16V,X7R,TP,160	1	SA		ML9	2007-000070	R-CHIP;0ohm,5%,1/10W,TP,1608	1	SA	
MC25	2203-000062	C-CER,CHIP;47nF,+80-20%,50V,Y5V,160	1	SA		MR1	2007-000084	R-CHIP;4.7Kohm,5%,1/10W,TP,1608	1	SA	
MC26	2402-001042	C-AL,SMD;100uF,20%,16V,GP,TP,6.6x6.	1	SA		MR101	2007-000113	R-CHIP;33ohm,5%,1/10W,TP,1608	1	SA	
MC27	2203-005148	C-CER,CHIP;100nF,10%,16V,X7R,TP,160	1	SA		MR11	2007-000084	R-CHIP;4.7Kohm,5%,1/10W,TP,1608	1	SA	
MC28	2402-001042	C-AL,SMD;100uF,20%,16V,GP,TP,6.6x6.	1	SA		MR13	2007-000084	R-CHIP;4.7Kohm,5%,1/10W,TP,1608	1	SA	
MC29	2203-005148	C-CER,CHIP;100nF,10%,16V,X7R,TP,160	1	SA		MR15	2011-001344	R-NETWORK;100ohm,5%,1/16W,L,CHIP,8P	1	SNA	
MC3	2203-005148	C-CER,CHIP;100nF,10%,16V,X7R,TP,160	1	SA		MR16	2007-000074	R-CHIP;100ohm,5%,1/10W,TP,1608	1	SA	
MC30	2203-005148	C-CER,CHIP;100nF,10%,16V,X7R,TP,160	1	SA		MR17	2007-000074	R-CHIP;100ohm,5%,1/10W,TP,1608	1	SA	
MC31	2203-005148	C-CER,CHIP;100nF,10%,16V,X7R,TP,160	1	SA		MR18	2011-001344	R-NETWORK;100ohm,5%,1/16W,L,CHIP,8P	1	SNA	
MC32	2203-005148	C-CER,CHIP;100nF,10%,16V,X7R,TP,160	1	SA		MR19	2011-001344	R-NETWORK;100ohm,5%,1/16W,L,CHIP,8P	1	SNA	
MC33	2203-005148	C-CER,CHIP;100nF,10%,16V,X7R,TP,160	1	SA		MR2	2007-000074	R-CHIP;100ohm,5%,1/10W,TP,1608	1	SA	
MC34	2203-005148	C-CER,CHIP;100nF,10%,16V,X7R,TP,160	1	SA		MR20	2011-001344	R-NETWORK;100ohm,5%,1/16W,L,CHIP,8P	1	SNA	
MC35	2203-005148	C-CER,CHIP;100nF,10%,16V,X7R,TP,160	1	SA		MR21	2007-000078	R-CHIP;1Kohm,5%,1/10W,TP,1608	1	SA	
MC36	2203-005148	C-CER,CHIP;100nF,10%,16V,X7R,TP,160	1	SA		MR22	2007-000078	R-CHIP;1Kohm,5%,1/10W,TP,1608	1	SA	
MC37	2203-005148	C-CER,CHIP;100nF,10%,16V,X7R,TP,160	1	SA		MR23	2007-000084	R-CHIP;4.7Kohm,5%,1/10W,TP,1608	1	SA	
MC38	2203-005148	C-CER,CHIP;100nF,10%,16V,X7R,TP,160	1	SA		MR24	2007-000084	R-CHIP;4.7Kohm,5%,1/10W,TP,1608	1	SA	
MC39	2203-005148	C-CER,CHIP;100nF,10%,16V,X7R,TP,160	1	SA		MR27	2007-000102	R-CHIP;100Kohm,5%,1/10W,TP,1608	1	SA	
MC4	2203-005148	C-CER,CHIP;100nF,10%,16V,X7R,TP,160	1	SA		MR3	2007-000074	R-CHIP;100ohm,5%,1/10W,TP,1608	1	SA	
MC40	2402-001042	C-AL,SMD;100uF,20%,16V,GP,TP,6.6x6.	1	SA		MR30	2007-000113	R-CHIP;33ohm,5%,1/10W,TP,1608	1	SA	
MC41	2203-005148	C-CER,CHIP;100nF,10%,16V,X7R,TP,160	1	SA		MR31	2011-001344	R-NETWORK;100ohm,5%,1/16W,L,CHIP,8P	1	SNA	
MC42	2203-005148	C-CER,CHIP;100nF,10%,16V,X7R,TP,160	1	SA		MR32	2007-000074	R-CHIP;100ohm,5%,1/10W,TP,1608	1	SA	
MC43	2203-005148	C-CER,CHIP;100nF,10%,16V,X7R,TP,160	1	SA		MR33	2007-000113	R-CHIP;33ohm,5%,1/10W,TP,1608	1	SA	
MC5	2203-005148	C-CER,CHIP;100nF,10%,16V,X7R,TP,160	1	SA		MR34	2007-000113	R-CHIP;33ohm,5%,1/10W,TP,1608	1	SA	
MC50	2401-000042	C-AL;100uF,20%,16V,GP,TP,6.3x7.5	1	SA		MR35	2007-000113	R-CHIP;33ohm,5%,1/10W,TP,1608	1	SA	
MC51	2203-005148	C-CER,CHIP;100nF,10%,16V,X7R,TP,160	1	SA		MR3501	0505-002302	FET-SILICON;AP9575GP,-60V,-16A,0.	1	SA	
MC52	2401-000414	C-AL;10uF,20%,16V,GP,TP,4x7.5	1	SA		MR4	2011-001344	R-NETWORK;100ohm,5%,1/16W,L,CHIP,8P	1	SNA	
MC53	2203-005148	C-CER,CHIP;100nF,10%,16V,X7R,TP,160	1	SA		MR41	2007-000078	R-CHIP;1Kohm,5%,1/10W,TP,1608	1	SA	
MC54	2401-003378	C-AL;1000#F,20%,10V,WT,-,10x12.5,5	1	SA		MR42	2007-000078	R-CHIP;1Kohm,5%,1/10W,TP,1608	1	SA	
MC55	2203-005148	C-CER,CHIP;100nF,10%,16V,X7R,TP,160	1	SA		MR44	2007-000133	R-CHIP;330Kohm,5%,1/10W,TP,1608	1	SA	
MC56	2401-000042	C-AL;100uF,20%,16V,GP,TP,6.3x7.5	1	SA		MR45	2007-000118	R-CHIP;390ohm,5%,1/10W,TP,1608	1	SA	
MC6	2203-005148	C-CER,CHIP;100nF,10%,16V,X7R,TP,160	1	SA		MR47	2007-000113	R-CHIP;33ohm,5%,1/10W,TP,1608	1	SA	
MC62	2203-005249	C-CER,CHIP;100nF,10%,50V,X7R,TP,160	1	SA		MR48	2007-000090	R-CHIP;10Kohm,5%,1/10W,TP,1608	1	SA	
MC63	2203-005249	C-CER,CHIP;100nF,10%,50V,X7R,TP,160	1	SA		MR49	2007-000113	R-CHIP;33ohm,5%,1/10W,TP,1608	1	SA	
MC66	2401-001364	C-AL;470uF,20%,16V,GP,TP,10x12.5,5	1	SA		MR5	2011-001344	R-NETWORK;100ohm,5%,1/16W,L,CHIP,8P	1	SNA	

Exploded View & Part List

Loc. No.	Part No.	Description;Specification	Q'ty	SNA	Remark	Loc. No.	Part No.	Description;Specification	Q'ty	SNA	Remark
MR50	2007-000113	R-CHIP;33ohm,5%,1/10W,TP,1608	1		SA						
MR51	2007-000121	R-CHIP;820ohm,5%,1/10W,TP,1608	1		SA	PC29	2203-005249	C-CER,CHIP;100nF,10%,50V,X7R,TP,160	1		SA
MR52	2007-000078	R-CHIP;1Kohm,5%,1/10W,TP,1608	1		SA	PC2A	2203-005148	C-CER,CHIP;100nF,10%,16V,X7R,TP,160	1		SA
MR53	2007-000070	R-CHIP;0ohm,5%,1/10W,TP,1608	1		SA	PC3	2203-000626	C-CER,CHIP;0.022nF,5%,50V,COG,1608	1		SA
MR54	2007-000072	R-CHIP;47ohm,5%,1/10W,TP,1608	1		SA	PC30	2203-005249	C-CER,CHIP;100nF,10%,50V,X7R,TP,160	1		SA
MR56	2007-000084	R-CHIP;4.7Kohm,5%,1/10W,TP,1608	1		SA	PC31	2203-005249	C-CER,CHIP;100nF,10%,50V,X7R,TP,160	1		SA
MR57	2007-000078	R-CHIP;1Kohm,5%,1/10W,TP,1608	1		SA	PC32	2203-005249	C-CER,CHIP;100nF,10%,50V,X7R,TP,160	1		SA
MR58	2007-000070	R-CHIP;0ohm,5%,1/10W,TP,1608	1		SA	PC33	2203-005249	C-CER,CHIP;100nF,10%,50V,X7R,TP,160	1		SA
MR59	2007-000070	R-CHIP;0ohm,5%,1/10W,TP,1608	1		SA	PC34	2401-001355	C-AL;470uF,20%,10V,GP,TP,8x11.5mm,5	1		SA
MR6	2011-001344	R-NETWORK;100ohm,5%,1/16W,L,CHIP,8P	1		SNA	PC35	2401-001355	C-AL;470uF,20%,10V,GP,TP,8x11.5mm,5	1		SA
MR60	2007-000081	R-CHIP;2.7Kohm,5%,1/10W,TP,1608	1		SA	PC4	2203-000626	C-CER,CHIP;0.022nF,5%,50V,COG,1608	1		SA
MR61	2007-000122	R-CHIP;1.2Kohm,5%,1/10W,TP,1608	1		SA	PC6	2401-001355	C-AL;470uF,20%,10V,GP,TP,8x11.5mm,5	1		SA
MR64	2007-000121	R-CHIP;820ohm,5%,1/10W,TP,1608	1		SA	PC9	2203-005249	C-CER,CHIP;100nF,10%,50V,X7R,TP,160	1		SA
MR65	2007-000074	R-CHIP;100ohm,5%,1/10W,TP,1608	1		SA	PIC2	1203-003526	IC-VOL. DETECTOR;KIA7029AP,TO-92,3P	1		SA
MR66	2007-000074	R-CHIP;100ohm,5%,1/10W,TP,1608	1		SA	PIC3	1204-002968	IC-MODULATOR;PS9830B,TQFP,100P,14x1	1		SA
MR67	2007-000074	R-CHIP;100ohm,5%,1/10W,TP,1608	1		SA	PL1	3301-001495	BEAD-SMD;120ohm,2012,2500mA,TP,115o	1		SA
MR68	2007-000070	R-CHIP;0ohm,5%,1/10W,TP,1608	1		SA	PL2	3301-001495	BEAD-SMD;120ohm,2012,2500mA,TP,115o	1		SA
MR7	2007-000084	R-CHIP;4.7Kohm,5%,1/10W,TP,1608	1		SA	PL3	3301-001495	BEAD-SMD;120ohm,2012,2500mA,TP,115o	1		SA
MR72	2007-000309	R-CHIP;10ohm,5%,1/10W,TP,1608	1		SA	PR10	2007-000070	R-CHIP;0ohm,5%,1/10W,TP,1608	1		SA
MR73	2007-000309	R-CHIP;10ohm,5%,1/10W,TP,1608	1		SA	PR11	2007-000070	R-CHIP;0ohm,5%,1/10W,TP,1608	1		SA
MR74	2007-000309	R-CHIP;10ohm,5%,1/10W,TP,1608	1		SA	PR12	2007-000070	R-CHIP;0ohm,5%,1/10W,TP,1608	1		SA
MR75	2007-000309	R-CHIP;10ohm,5%,1/10W,TP,1608	1		SA	PR13	2007-000072	R-CHIP;47ohm,5%,1/10W,TP,1608	1		SA
MR76	2007-000309	R-CHIP;10ohm,5%,1/10W,TP,1608	1		SA	PR14	2007-000072	R-CHIP;47ohm,5%,1/10W,TP,1608	1		SA
MR79	2007-000113	R-CHIP;33ohm,5%,1/10W,TP,1608	1		SA	PR15	2007-000072	R-CHIP;47ohm,5%,1/10W,TP,1608	1		SA
MR80	2007-000074	R-CHIP;100ohm,5%,1/10W,TP,1608	1		SA	PR16	2007-000072	R-CHIP;47ohm,5%,1/10W,TP,1608	1		SA
MR81	2007-000119	R-CHIP;560ohm,5%,1/10W,TP,1608	1		SA	PR17	2007-000072	R-CHIP;47ohm,5%,1/10W,TP,1608	1		SA
MR85	2007-000121	R-CHIP;820ohm,5%,1/10W,TP,1608	1		SA	PR18	2007-000072	R-CHIP;47ohm,5%,1/10W,TP,1608	1		SA
MR9	2007-000084	R-CHIP;4.7Kohm,5%,1/10W,TP,1608	1		SA	PR19	2007-000052	R-CHIP;10Kohm,1%,1/10W,TP,1608	1		SA
MR90	2007-000113	R-CHIP;33ohm,5%,1/10W,TP,1608	1		SA	PR2	2007-000109	R-CHIP;1Mohm,5%,1/10W,TP,1608	1		SA
MR93	2007-000113	R-CHIP;33ohm,5%,1/10W,TP,1608	1		SA	PR20	2007-000052	R-CHIP;10Kohm,1%,1/10W,TP,1608	1		SA
MR94	2003-000775	R-METAL OXIDE(S);68ohm,5%,1W,AA,TP,	1		SA	PR21	2007-000052	R-CHIP;10Kohm,1%,1/10W,TP,1608	1		SA
MR95	2003-000775	R-METAL OXIDE(S);68ohm,5%,1W,AA,TP,	1		SA	PR22	2007-000052	R-CHIP;10Kohm,1%,1/10W,TP,1608	1		SA
MR97	2007-000113	R-CHIP;33ohm,5%,1/10W,TP,1608	1		SA	PR23	2007-000052	R-CHIP;10Kohm,1%,1/10W,TP,1608	1		SA
MR98	2007-000113	R-CHIP;33ohm,5%,1/10W,TP,1608	1		SA	PR24	2007-000052	R-CHIP;10Kohm,1%,1/10W,TP,1608	1		SA
MR99	2007-000113	R-CHIP;33ohm,5%,1/10W,TP,1608	1		SA	PR25	2007-000074	R-CHIP;100ohm,5%,1/10W,TP,1608	1		SA
MREG2	1203-002935	IC-POS. ADJUST REG.;AIC1117ACE, TO-2	1		SA	PR26	2007-000072	R-CHIP;47ohm,5%,1/10W,TP,1608	1		SA
NTC1	1404-001195	THERMISTOR-NTC;5.1ohm,3.84A,3000K,2	1		SA	PR27	2007-000072	R-CHIP;47ohm,5%,1/10W,TP,1608	1		SA
OC1	0604-000117	PHOTO-COUPLER;TR,130-260%,200mW,DIP	1		SA	PR28	2007-000072	R-CHIP;47ohm,5%,1/10W,TP,1608	1		SA
OC2	0604-000117	PHOTO-COUPLER;TR,130-260%,200mW,DIP	1		SA	PR29	2007-000072	R-CHIP;47ohm,5%,1/10W,TP,1608	1		SA
PC10	2401-000414	C-AL;10uF,20%,16V,GP,TP,4x7,5	1		SA	PR30	2007-000072	R-CHIP;47ohm,5%,1/10W,TP,1608	1		SA
PC11	2203-000189	C-CER,CHIP;100nF,+80-20%,25V,Y5V,16	1		SA	PR31	2007-000072	R-CHIP;47ohm,5%,1/10W,TP,1608	1		SA
PC12	2401-000414	C-AL;10uF,20%,16V,GP,TP,4x7,5	1		SA	PR32	2007-000072	R-CHIP;47ohm,5%,1/10W,TP,1608	1		SA
PC13	2203-005249	C-CER,CHIP;100nF,10%,50V,X7R,TP,160	1		SA	PR33	2007-000072	R-CHIP;47ohm,5%,1/10W,TP,1608	1		SA
PC14	2203-005249	C-CER,CHIP;100nF,10%,50V,X7R,TP,160	1		SA	PR5	2007-000052	R-CHIP;10Kohm,1%,1/10W,TP,1608	1		SA
PC15	2203-005249	C-CER,CHIP;100nF,10%,50V,X7R,TP,160	1		SA	PR6	2007-000074	R-CHIP;100ohm,5%,1/10W,TP,1608	1		SA
PC16	2203-005249	C-CER,CHIP;100nF,10%,50V,X7R,TP,160	1		SA	PR7	2007-000113	R-CHIP;33ohm,5%,1/10W,TP,1608	1		SA
PC17	2401-001355	C-AL;470uF,20%,10V,GP,TP,8x11.5mm,5	1		SA	PR8	2007-000074	R-CHIP;100ohm,5%,1/10W,TP,1608	1		SA
PC18	2203-005249	C-CER,CHIP;100nF,10%,50V,X7R,TP,160	1		SA	PR9	2007-000074	R-CHIP;100ohm,5%,1/10W,TP,1608	1		SA
PC19	2203-005249	C-CER,CHIP;100nF,10%,50V,X7R,TP,160	1		SA	PX1	2801-004354	CRYSTAL-UNIT;12.288MHZ,30PPM,ATS-49	1		SA
PC1A	2203-005148	C-CER,CHIP;100nF,10%,16V,X7R,TP,160	1		SA	Q1	0501-000398	TR-SMALL SIGNAL;KSC945-Y,NPN,250mW,	1		SA
PC20	2203-005249	C-CER,CHIP;100nF,10%,50V,X7R,TP,160	1		SA	Q2	0501-000398	TR-SMALL SIGNAL;KSC945-Y,NPN,250mW,	1		SA
PC21	2203-005249	C-CER,CHIP;100nF,10%,50V,X7R,TP,160	1		SA	Q3501	0501-000294	TR-SMALL SIGNAL;KSA708-Y,PNP,800mW,	1		SA
PC22	2203-005249	C-CER,CHIP;100nF,10%,50V,X7R,TP,160	1		SA	Q3502	0501-000398	TR-SMALL SIGNAL;KSC945-Y,NPN,250mW,	1		SA
PC23	2203-005249	C-CER,CHIP;100nF,10%,50V,X7R,TP,160	1		SA	Q3503	0501-000362	TR-SMALL SIGNAL;KSC2328A-Y,NPN,1000	1		SA
PC24	2203-005249	C-CER,CHIP;100nF,10%,50V,X7R,TP,160	1		SA	Q3504	0501-000398	TR-SMALL SIGNAL;KSC945-Y,NPN,250mW,	1		SA
PC25	2203-005249	C-CER,CHIP;100nF,10%,50V,X7R,TP,160	1		SA	Q3505	0504-000118	TR-DIGITAL;KSR1003,NPN,300MW,22K/22	1		SA
PC26	2203-005249	C-CER,CHIP;100nF,10%,50V,X7R,TP,160	1		SA	Q3506	0501-000303	TR-SMALL SIGNAL;KSA733,PNP,250mW,TO	1		SA
PC27	2203-005249	C-CER,CHIP;100nF,10%,50V,X7R,TP,160	1		SA	R1	2002-001115	R-COMPOSITION;1.5Mohm,5%,1/2W,AA,TP	1		SA
PC28	2203-005249	C-CER,CHIP;100nF,10%,50V,X7R,TP,160	1		SA	R10	2001-000273	R-CARBON;100Kohm,5%,1/8W,AA,TP,1.8x	1		SA

Loc. No.	Part No.	Description;Specification	Q'ty	SNA	Remark	Loc. No.	Part No.	Description;Specification	Q'ty	SNA	Remark
R12	2001-000019	R-CARBON(S);10ohm,5%,1/2W,AA,TP,2.4	1	SA		RC34	2203-005148	C-CER,CHIP;100nF,10%,16V,X7R,TP,160	1	SA	
R13	2001-000003	R-CARBON;330ohm,5%,1/8W,AA,TP,1.8x3	1	SA		RC35	2203-005148	C-CER,CHIP;100nF,10%,16V,X7R,TP,160	1	SA	
R14	2001-000515	R-CARBON;220ohm,5%,1/8W,AA,TP,1.8x3	1	SA		RC36	2203-005148	C-CER,CHIP;100nF,10%,16V,X7R,TP,160	1	SA	
R15	2003-002454	R-METAL OXIDE;0.22ohm,5%,1W,AF,TP,3	1	SA		RC37	2203-005148	C-CER,CHIP;100nF,10%,16V,X7R,TP,160	1	SA	
R16	2001-001146	R-CARBON(S);4.7ohm,5%,1/2W,AA,TP,2.	1	SA		RC38	2203-000440	C-CER,CHIP;1nF,10%,50V,X7R,1608	1	SA	
R17	2001-000591	R-CARBON;3.3Kohm,5%,1/8W,AA,TP,1.8x	1	SA		RC39	2203-000236	C-CER,CHIP;0.1nF,5%,50V,COG,1608	1	SA	
R18	2003-002239	R-METAL OXIDE(S);100Kohm,5%,2W,AF,T	1	SA		RC4	2203-000189	C-CER,CHIP;100nF,+80-20%,25V,Y5V,16	1	SA	
R19	2003-002454	R-METAL OXIDE;0.22ohm,5%,1W,AF,TP,3	1	SA		RC40	2203-006361	C-CER,CHIP;10000nF,10%,10V,X5R,TP,2	1	SA	
R2	2001-000065	R-CARBON;10Kohm,5%,1/4W,AA,TP,2.4x6	1	SA		RC41	2203-000257	C-CER,CHIP;10nF,10%,50V,X7R,TP,1608	1	SA	
R3	2001-000065	R-CARBON;10Kohm,5%,1/4W,AA,TP,2.4x6	1	SA		RC42	2203-000189	C-CER,CHIP;100nF,+80-20%,25V,Y5V,16	1	SA	
R3501	2007-000686	R-CHIP;3.3Kohm,5%,1/8W,TP,2012	1	SA		RC44	2203-000280	C-CER,CHIP;0.01nF,0.5pF,50V,COG,160	1	SA	
R3502	2007-000290	R-CHIP;100ohm,5%,1/8W,TP,2012	1	SA		RC45	2203-002398	C-CER,CHIP;22nF,10%,50V,X7R,1608	1	SA	
R3503	2003-002440	R-METAL OXIDE(S);0.15ohm,5%,2W,AF,T	1	SA		RC49	2203-006361	C-CER,CHIP;10000nF,10%,10V,X5R,TP,2	1	SA	
R3504	2007-000586	R-CHIP;22Kohm,5%,1/8W,TP,2012	1	SA		RC5	2402-001070	C-AL,SMD;470uF,20%,16V,GP,TP,10x10.	1	SA	
R3505	2007-000950	R-CHIP;47ohm,5%,1/4W,TP,3216	1	SA		RC50	2203-000888	C-CER,CHIP;4.7nF,10%,50V,X7R,TP,160	1	SA	
R3506	2007-000409	R-CHIP;15Kohm,5%,1/8W,TP,2012	1	SA		RC51	2203-000440	C-CER,CHIP;1nF,10%,50V,X7R,1608	1	SA	
R3507	2007-000872	R-CHIP;4.7Kohm,5%,1/8W,TP,2012	1	SA		RC52	2203-000257	C-CER,CHIP;10nF,10%,50V,X7R,TP,1608	1	SA	
R3508	2007-000335	R-CHIP;120Kohm,1%,1/8W,TP,2012	1	SA		RC53	2203-005015	C-CER,CHIP;150nF,+80-20%,16V,Y5V,16	1	SA	
R3509	2003-002440	R-METAL OXIDE(S);0.15ohm,5%,2W,AF,T	1	SA		RC54	2203-005148	C-CER,CHIP;100nF,10%,16V,X7R,TP,160	1	SA	
R3510	2007-000468	R-CHIP;1Kohm,5%,1/8W,TP,2012	1	SA		RC56	2203-000257	C-CER,CHIP;10nF,10%,50V,X7R,TP,1608	1	SA	
R3511	2007-000872	R-CHIP;4.7Kohm,5%,1/8W,TP,2012	1	SA		RC57	2203-000257	C-CER,CHIP;10nF,10%,50V,X7R,TP,1608	1	SA	
R3512	2007-000001	R-CHIP;68Kohm,5%,1/8W,TP,2012	1	SA		RC58	2203-006361	C-CER,CHIP;10000nF,10%,10V,X5R,TP,2	1	SA	
R3513	2007-000090	R-CHIP;10Kohm,5%,1/10W,TP,1608	1	SA		RC63	2203-000189	C-CER,CHIP;100nF,+80-20%,25V,Y5V,16	1	SA	
R3514	2007-000078	R-CHIP;1Kohm,5%,1/10W,TP,1608	1	SA		RC64	2203-000189	C-CER,CHIP;100nF,+80-20%,25V,Y5V,16	1	SA	
R3515	2007-000075	R-CHIP;220ohm,5%,1/10W,TP,1608	1	SA		RC7	2203-006361	C-CER,CHIP;10000nF,10%,10V,X5R,TP,2	1	SA	
R4	2001-000890	R-CARBON;6.8Kohm,5%,1/8W,AA,TP,1.8x	1	SA		RC8	2402-001160	C-AL,SMD;330UF,20%,16V,WT,TP,1008	1	SA	
R401	2007-000034	R-CHIP;1ohm,5%,1/4W,TP,3216	1	SA		RC9	2203-005148	C-CER,CHIP;100nF,10%,16V,X7R,TP,160	1	SA	
R5	2001-000734	R-CARBON;4.7Kohm,5%,1/8W,AA,TP,1.8x	1	SA		RCN01	3708-002720	CONNECTOR-FPC/FFC/PIC;23P,1mm,SMD-A	1	SA	
R6	2001-000734	R-CARBON;4.7Kohm,5%,1/8W,AA,TP,1.8x	1	SA		RCN02	3708-002085	CONNECTOR-FPC/FFC/PIC;9P,1mm,SMD-A	1	SA	
R7	2001-000660	R-CARBON;33Kohm,5%,1/8W,AA,TP,1.8x3	1	SA		RD2	0407-000116	DIODE-ARRAY;KDS181, DAP202K,80V,100	1	SA	
R9	2003-002239	R-METAL OXIDE(S);100Kohm,5%,2W,AF,T	1	SA		REC1	2401-000042	C-AL;100uF,20%,16V,GP,TP,6.3x7.5	1	SA	
RAC2	3301-000297	BEAD-AXIAL;25ohm,3.6x1.2x5.7mm,-,TP	1	SA		REC2	2203-000206	C-CER,CHIP;100nF,10%,50V,X7R,TP,201	1	SA	
RC02	2007-000084	R-CHIP;4.7Kohm,5%,1/10W,TP,1608	1	SA		REM10	0609-001200	ODULE REMOCON;VERTICAL,9.6MM,TR	1	SA	
RC03	2007-000074	R-CHIP;100ohm,5%,1/10W,TP,1608	1	SA		RFB1	2007-001118	R-CHIP;680ohm,5%,1/8W,TP,2012	1	SA	
RC1	2402-001160	C-AL,SMD;330UF,20%,16V,WT,TP,1008	1	SA		RFB2	2007-000468	R-CHIP;1Kohm,5%,1/8W,TP,2012	1	SA	
RC10	2203-000189	C-CER,CHIP;100nF,+80-20%,25V,Y5V,16	1	SA		RFB3	2007-000941	R-CHIP;47Kohm,5%,1/8W,TP,2012	1	SA	
RC11	2203-005148	C-CER,CHIP;100nF,10%,16V,X7R,TP,160	1	SA		RFB4	2007-001666	R-CHIP;6.2Kohm,1%,1/8W,TP,2012	1	SA	
RC12	2203-005148	C-CER,CHIP;100nF,10%,16V,X7R,TP,160	1	SA		RFB5	2007-007549	R-CHIP;4.99Kohm,1%,1/10W,TP,1608	1	SA	
RC13	2402-001042	C-AL,SMD;100uF,20%,16V,GP,TP,6.6x6.6	1	SA		RIC1	1003-001978	IC-MOTOR DRIVER;AM5766,HSOP28H,28P,	1	SA	
RC14	2203-000440	C-CER,CHIP;1nF,10%,50V,X7R,1608	1	SA		RIC2	1201-001842	IC-OP AMP;TL3472CD,SO,TP,8P,-,DUAL,	1	SA	
RC15	2402-001042	C-AL,SMD;100uF,20%,16V,GP,TP,6.6x6.6	1	SA		RL3	3301-001069	BEAD-SMD;120ohm,1.6x0.8x0.8mm,200mA	1	SA	
RC16	2203-000440	C-CER,CHIP;1nF,10%,50V,X7R,1608	1	SA		RL4	3301-001069	BEAD-SMD;120ohm,1.6x0.8x0.8mm,200mA	1	SA	
RC17	2203-000236	C-CER,CHIP;0.1nF,5%,50V,COG,1608	1	SA		RL5	3301-001495	BEAD-SMD;120ohm,2012,2500mA,TP,115o	1	SA	
RC18	2203-006361	C-CER,CHIP;10000nF,10%,10V,X5R,TP,2	1	SA		RL6	3301-001495	BEAD-SMD;120ohm,2012,2500mA,TP,115o	1	SA	
RC19	2203-005148	C-CER,CHIP;100nF,10%,16V,X7R,TP,160	1	SA		RL7	3301-001495	BEAD-SMD;120ohm,2012,2500mA,TP,115o	1	SA	
RC2	2203-005148	C-CER,CHIP;100nF,10%,16V,X7R,TP,160	1	SA		RL8	3301-001495	BEAD-SMD;120ohm,2012,2500mA,TP,115o	1	SA	
RC21	2203-001652	C-CER,CHIP;470nF,+80-20%,16V,Y5V,16	1	SA		RFS1	2007-000774	R-CHIP;33Kohm,5%,1/8W,TP,2012	1	SA	
RC22	2203-001126	C-CER,CHIP;0.68nF,10%,50V,X7R,1608	1	SA		RQ1	0501-000632	TR-SMALL SIGNAL;2SB1197K,PNP,200mW,	1	SA	
RC23	2203-000257	C-CER,CHIP;10nF,10%,50V,X7R,TP,1608	1	SA		RQ2	0501-000632	TR-SMALL SIGNAL;2SB1197K,PNP,200mW,	1	SA	
RC25	2203-001652	C-CER,CHIP;470nF,+80-20%,16V,Y5V,16	1	SA		RQ3	0504-000128	TR-DIGITAL;-NPN,200MW,22K/22K,SOT-	1	SA	
RC26	2203-000189	C-CER,CHIP;100nF,+80-20%,25V,Y5V,16	1	SA		RQ4	0504-000128	TR-DIGITAL;-NPN,200MW,22K/22K,SOT-	1	SA	
RC27	2203-006361	C-CER,CHIP;10000nF,10%,10V,X5R,TP,2	1	SA		RQ5	0504-000128	TR-DIGITAL;-NPN,200MW,22K/22K,SOT-	1	SA	
RC28	2203-000257	C-CER,CHIP;10nF,10%,50V,X7R,TP,1608	1	SA		RR1	2007-000094	R-CHIP;22Kohm,5%,1/10W,TP,1608	1	SA	
RC3	2203-000189	C-CER,CHIP;100nF,+80-20%,25V,Y5V,16	1	SA		RR100	2007-000129	R-CHIP;27Kohm,5%,1/10W,TP,1608	1	SA	
RC30	2203-001126	C-CER,CHIP;0.68nF,10%,50V,X7R,1608	1	SA		RR13	2007-000070	R-CHIP;0ohm,5%,1/10W,TP,1608	1	SA	
RC31	2203-005148	C-CER,CHIP;100nF,10%,16V,X7R,TP,160	1	SA		RR14	2007-000097	R-CHIP;47Kohm,5%,1/10W,TP,1608	1	SA	
RC32	2203-005148	C-CER,CHIP;100nF,10%,16V,X7R,TP,160	1	SA		RR16	2007-000097	R-CHIP;47Kohm,5%,1/10W,TP,1608	1	SA	
RC33	2203-000189	C-CER,CHIP;100nF,+80-20%,25V,Y5V,16	1	SA		RR2	2007-000087	R-CHIP;6.8Kohm,5%,1/10W,TP,1608	1	SA	
						RR20	2007-000092	R-CHIP;15Kohm,5%,1/10W,TP,1608	1	SA	

Exploded View & Part List

Loc. No.	Part No.	Description;Specification	Q'ty	SNA	Remark	Loc. No.	Part No.	Description;Specification	Q'ty	SNA	Remark
RR21	2007-000130	R-CHIP;39Kohm,5%,1/10W,TP,1608	1	SA		SCREW1	6003-000276	SCREW-TAPTTYPE;BH,+,-,B,M3,L10,ZPC(W	1	SA	
RR23	2007-000504	R-CHIP;2.2ohm,5%,1/4W,TP,3216	1	SA		SCREW2	6003-000276	SCREW-TAPTTYPE;BH,+,-,B,M3,L10,ZPC(W	1	SA	
RR26	2007-000098	R-CHIP;56Kohm,5%,1/10W,TP,1608	1	SA		SCREW3	6003-000276	SCREW-TAPTTYPE;BH,+,-,B,M3,L10,ZPC(W	1	SA	
RR27	2007-000077	R-CHIP;470ohm,5%,1/10W,TP,1608	1	SA		SCREW4	6003-000276	SCREW-TAPTTYPE;BH,+,-,B,M3,L10,ZPC(W	1	SA	
RR3	2007-000074	R-CHIP;100ohm,5%,1/10W,TP,1608	1	SA		SCREW5	6003-001375	SCREW-TAPTTYPE;BH,+,-,B,M3,L8,ZPC(WH	1	SNA	
RR34	2007-000113	R-CHIP;33ohm,5%,1/10W,TP,1608	1	SA		SHEET-PCB	AH63-01677D	SHEET-PCB;HT-Z120,PC,TO.2,W95,L182,	1	SNA	
RR35	2007-000078	R-CHIP;1Kohm,5%,1/10W,TP,1608	1	SA		SHIELD-FRONT	AH63-01638C	SHIELD-FRONT;HT-Z110N,SPTE,TO.3,W13	1	SA	
RR38	2007-000071	R-CHIP;22ohm,5%,1/10W,TP,1608	1	SA		SMT01	AH26-00348A	TRANS SWITCHING;HT-Z110,110-240,EER	1	SA	
RR39	2007-000097	R-CHIP;47Kohm,5%,1/10W,TP,1608	1	SA		TUNER2	AH40-00152A	TUNER-MODULE;KST-MW104FV1-S58,MAX-D	1	SA	
RR4	2007-000074	R-CHIP;100ohm,5%,1/10W,TP,1608	1	SA		UC1	2203-001607	C-CER,CHIP;0.22nF,5%,50V,NP0,1608	1	SA	
RR40	2007-000309	R-CHIP;10ohm,5%,1/10W,TP,1608	1	SA		UC15	2203-005148	C-CER,CHIP;100nF,10%,16V,X7R,TP,160	1	SA	
RR41	2007-000309	R-CHIP;10ohm,5%,1/10W,TP,1608	1	SA		UC16	2203-005148	C-CER,CHIP;100nF,10%,16V,X7R,TP,160	1	SA	
RR42	2007-000078	R-CHIP;1Kohm,5%,1/10W,TP,1608	1	SA		UC2	2203-001607	C-CER,CHIP;0.22nF,5%,50V,NP0,1608	1	SA	
RR43	2007-000078	R-CHIP;1Kohm,5%,1/10W,TP,1608	1	SA		UC22	2203-000972	C-CER,CHIP;47nF,10%,16V,X7R,1608	1	SA	
RR44	2007-000090	R-CHIP;10Kohm,5%,1/10W,TP,1608	1	SA		UC3	2203-001607	C-CER,CHIP;0.22nF,5%,50V,NP0,1608	1	SA	
RR45	2007-000090	R-CHIP;10Kohm,5%,1/10W,TP,1608	1	SA		UC39	2203-005148	C-CER,CHIP;100nF,10%,16V,X7R,TP,160	1	SA	
RR46	2007-000071	R-CHIP;22ohm,5%,1/10W,TP,1608	1	SA		UC55	2203-005148	C-CER,CHIP;100nF,10%,16V,X7R,TP,160	1	SA	
RR47	2007-000309	R-CHIP;10ohm,5%,1/10W,TP,1608	1	SA		UC64	2203-000975	C-CER,CHIP;47nF,10%,25V,X7R,TP,1608	1	SA	
RR48	2007-000078	R-CHIP;1Kohm,5%,1/10W,TP,1608	1	SA		UC88	2203-005148	C-CER,CHIP;100nF,10%,16V,X7R,TP,160	1	SA	
RR49	2007-000309	R-CHIP;10ohm,5%,1/10W,TP,1608	1	SA		UC9	2203-000257	C-CER,CHIP;10nF,10%,50V,X7R,TP,1608	1	SA	
RR50	2007-000078	R-CHIP;1Kohm,5%,1/10W,TP,1608	1	SA		UCC1	2401-001952	C-AL;4.7uF,20%,50V,GP,TP,5x7mm,5mm	1	SA	
RR51	2007-000090	R-CHIP;10Kohm,5%,1/10W,TP,1608	1	SA		UCC12	2401-000042	C-AL;100uF,20%,16V,GP,TP,6.3x7,5	1	SA	
RR52	2007-000078	R-CHIP;1Kohm,5%,1/10W,TP,1608	1	SA		UCC3	2401-001355	C-AL;470uF,20%,10V,GP,TP,8x11.5mm,5	1	SA	
RR53	2007-000097	R-CHIP;47Kohm,5%,1/10W,TP,1608	1	SA		UCC4	2203-005148	C-CER,CHIP;100nF,10%,16V,X7R,TP,160	1	SA	
RR54	2007-000084	R-CHIP;4.7Kohm,5%,1/10W,TP,1608	1	SA		UCC6	2401-000759	C-AL;220nF,20%,50V,GP,TP,5x11mm,5mm	1	SA	
RR55	2007-000090	R-CHIP;10Kohm,5%,1/10W,TP,1608	1	SA		UCC7	2401-000042	C-AL;100uF,20%,16V,GP,TP,6.3x7,5	1	SA	
RR56	2007-000070	R-CHIP;0ohm,5%,1/10W,TP,1608	1	SA		UCC8	2203-005148	C-CER,CHIP;100nF,10%,16V,X7R,TP,160	1	SA	
RR63	2007-000060	R-CHIP;100Kohm,1%,1/10W,TP,1608	1	SA		UCC9	2203-000888	C-CER,CHIP;4.7nF,10%,50V,X7R,TP,160	1	SA	
RR64	2007-000060	R-CHIP;100Kohm,1%,1/10W,TP,1608	1	SA		UD1	0401-001090	DIODE-SWITCHING;1SS355,80V,100MA,SO	1	SA	
RR65	2007-000060	R-CHIP;100Kohm,1%,1/10W,TP,1608	1	SA		UD2	0401-001090	DIODE-SWITCHING;1SS355,80V,100MA,SO	1	SA	
RR66	2007-000060	R-CHIP;100Kohm,1%,1/10W,TP,1608	1	SA		UD6	0401-001090	DIODE-SWITCHING;1SS355,80V,100MA,SO	1	SA	
RR67	2007-000122	R-CHIP;1.2Kohm,5%,1/10W,TP,1608	1	SA		UD7	0401-001090	DIODE-SWITCHING;1SS355,80V,100MA,SO	1	SA	
RR68	2007-000078	R-CHIP;1Kohm,5%,1/10W,TP,1608	1	SA		UD9	0402-000309	DIODE-RECTIFIER;1SR154-400,400V,1A,	1	SA	
RR69	2007-000122	R-CHIP;1.2Kohm,5%,1/10W,TP,1608	1	SA		UIC1	0903-001565	IC-MICROCONTROLLER;LC87F5NC8AVU,QFP	1	SA	
RR70	2007-000078	R-CHIP;1Kohm,5%,1/10W,TP,1608	1	SA		UIC3	1103-001333	IC-EEPROM;24C08A,8Kbit,1Kx8,SOP,8P,	1	SA	
RR72	2007-000090	R-CHIP;10Kohm,5%,1/10W,TP,1608	1	SA		UQ1	0501-000341	TR-SMALL SIGNAL;KSC1623-L,NPN,200mW	1	SA	
RR73	2007-000107	R-CHIP;470Kohm,5%,1/10W,TP,1608	1	SA		UQ2	0504-000128	TR-DIGITAL;-NPN,200MW,22K/22K,SOT-	1	SA	
RR74	2007-000124	R-CHIP;2.2Kohm,5%,1/10W,TP,1608	1	SA		UR1	2007-000078	R-CHIP;1Kohm,5%,1/10W,TP,1608	1	SA	
RR75	2007-000458	R-CHIP;18Kohm,5%,1/10W,TP,1608	1	SA		UR100	2007-000931	R-CHIP;470ohm,5%,1/8W,TP,2012	1	SA	
RR78	2007-000084	R-CHIP;4.7Kohm,5%,1/10W,TP,1608	1	SA		UR101	2007-000078	R-CHIP;1Kohm,5%,1/10W,TP,1608	1	SA	
RR79	2007-000109	R-CHIP;1Mohm,5%,1/10W,TP,1608	1	SA		UR102	2007-000123	R-CHIP;1.5Kohm,5%,1/10W,TP,1608	1	SA	
RR80	2007-000094	R-CHIP;22Kohm,5%,1/10W,TP,1608	1	SA		UR103	2007-000079	R-CHIP;1.8Kohm,5%,1/10W,TP,1608	1	SA	
RR81	2007-000078	R-CHIP;1Kohm,5%,1/10W,TP,1608	1	SA		UR104	2007-000124	R-CHIP;2.2Kohm,5%,1/10W,TP,1608	1	SA	
RR82	2007-000090	R-CHIP;10Kohm,5%,1/10W,TP,1608	1	SA		UR105	2007-000082	R-CHIP;3.3Kohm,5%,1/10W,TP,1608	1	SA	
RR83	2007-000082	R-CHIP;3.3Kohm,5%,1/10W,TP,1608	1	SA		UR106	2007-000084	R-CHIP;4.7Kohm,5%,1/10W,TP,1608	1	SA	
RR84	2007-000120	R-CHIP;680ohm,5%,1/10W,TP,1608	1	SA		UR107	2007-000070	R-CHIP;0ohm,5%,1/10W,TP,1608	1	SA	
RR85	2007-000052	R-CHIP;10Kohm,1%,1/10W,TP,1608	1	SA		UR12	2007-000109	R-CHIP;1Mohm,5%,1/10W,TP,1608	1	SA	
RR86	2007-000090	R-CHIP;10Kohm,5%,1/10W,TP,1608	1	SA		UR13	2007-000402	R-CHIP;150ohm,5%,1/10W,TP,1608	1	SA	
RR87	2007-000074	R-CHIP;100ohm,5%,1/10W,TP,1608	1	SA		UR15	2007-000090	R-CHIP;10Kohm,5%,1/10W,TP,1608	1	SA	
RR88	2007-000074	R-CHIP;100ohm,5%,1/10W,TP,1608	1	SA		UR16	2007-000074	R-CHIP;100ohm,5%,1/10W,TP,1608	1	SA	
RR90	2007-000504	R-CHIP;2.2ohm,5%,1/4W,TP,3216	1	SA		UR17	2007-000078	R-CHIP;1Kohm,5%,1/10W,TP,1608	1	SA	
RR91	2007-000683	R-CHIP;3.3Kohm,1%,1/10W,TP,1608	1	SA		UR18	2007-000090	R-CHIP;10Kohm,5%,1/10W,TP,1608	1	SA	
RR92	2007-000094	R-CHIP;22Kohm,5%,1/10W,TP,1608	1	SA		UR2	2007-000078	R-CHIP;1Kohm,5%,1/10W,TP,1608	1	SA	
RR94	2007-000109	R-CHIP;1Mohm,5%,1/10W,TP,1608	1	SA		UR20C	2007-000090	R-CHIP;10Kohm,5%,1/10W,TP,1608	1	SA	
RR97	2007-000052	R-CHIP;10Kohm,1%,1/10W,TP,1608	1	SA		UR21	2007-000084	R-CHIP;4.7Kohm,5%,1/10W,TP,1608	1	SA	
RR98	2007-000078	R-CHIP;1Kohm,5%,1/10W,TP,1608	1	SA		UR22A	2007-000078	R-CHIP;1Kohm,5%,1/10W,TP,1608	1	SA	
RR99	2007-000219	R-CHIP;1.2Kohm,1%,1/10W,TP,1608	1	SA		UR27	2011-001344	R-NETWORK;100ohm,5%,1/16W,L,CHIP,8P	1	SNA	
SBD5	0402-001258	DIODE-BRIDGE;GBU606,600V,6A,SIP-4,B	1	SA		UR3	2007-000078	R-CHIP;1Kohm,5%,1/10W,TP,1608	1	SA	

Loc. No.	Part No.	Description;Specification	Q'ty	SNA	Remark	Loc. No.	Part No.	Description;Specification	Q'ty	SNA	Remark
UR31	2007-000074	R-CHIP;100ohm,5%,1/10W,TP,1608	1		SA						
UR35	2007-000074	R-CHIP;100ohm,5%,1/10W,TP,1608	1		SA	VC2	2203-000280	C-CER,CHIP;0.01nF,0.5pF,50V,COG,160	1		SA
UR38	2007-000074	R-CHIP;100ohm,5%,1/10W,TP,1608	1		SA	VC3	2401-001092	C-AL;330uF,20%,10V,GP,-,8x11.5,2.5m	1		SA
UR40	2007-000084	R-CHIP;4.7Kohm,5%,1/10W,TP,1608	1		SA	VC4	2203-000280	C-CER,CHIP;0.01nF,0.5pF,50V,COG,160	1		SA
UR42	2007-000074	R-CHIP;100ohm,5%,1/10W,TP,1608	1		SA	VC5	2401-001092	C-AL;330uF,20%,10V,GP,-,8x11.5,2.5m	1		SA
UR43	2007-000074	R-CHIP;100ohm,5%,1/10W,TP,1608	1		SA	VC6	2203-000280	C-CER,CHIP;0.01nF,0.5pF,50V,COG,160	1		SA
UR46	2007-000074	R-CHIP;100ohm,5%,1/10W,TP,1608	1		SA	VC7	2401-001092	C-AL;330uF,20%,10V,GP,-,8x11.5,2.5m	1		SA
UR53	2007-000074	R-CHIP;100ohm,5%,1/10W,TP,1608	1		SA	VC8	2203-005148	C-CER,CHIP;100nF,10%,16V,X7R,TP,160	1		SA
UR54	2007-000074	R-CHIP;100ohm,5%,1/10W,TP,1608	1		SA	VC9	2402-001042	C-AL,SMD;100uF,20%,16V,GP,TP,6.6x6.	1		SA
UR55	2007-000097	R-CHIP;47Kohm,5%,1/10W,TP,1608	1		SA	VFD11	2401-000480	C-AL;10uF,20%,50V,GP,TP,5x11,5	1		SA
UR550	2007-000074	R-CHIP;100ohm,5%,1/10W,TP,1608	1		SA	VFD2	0401-001099	DIODE-SWITCHING;1N4148WS,75V,150mA,	1		SA
UR57	2011-001344	R-NETWORK;100ohm,5%,1/16W,L,CHIP,8P	1		SNA	VFDC1	2203-005249	C-CER,CHIP;100nF,10%,50V,X7R,TP,160	1		SA
UR61	2007-000074	R-CHIP;100ohm,5%,1/10W,TP,1608	1		SA	VFDC10	2401-000480	C-AL;10uF,20%,50V,GP,TP,5x11,5	1		SA
UR66	2007-000074	R-CHIP;100ohm,5%,1/10W,TP,1608	1		SA	VFDC12	2401-000480	C-AL;10uF,20%,50V,GP,TP,5x11,5	1		SA
UR70	2011-001344	R-NETWORK;100ohm,5%,1/16W,L,CHIP,8P	1		SNA	VFDC13	2401-000042	C-AL;100uF,20%,16V,GP,TP,6.3x7,5	1		SA
UR77	2007-000074	R-CHIP;100ohm,5%,1/10W,TP,1608	1		SA	VFDC2	2203-005249	C-CER,CHIP;100nF,10%,50V,X7R,TP,160	1		SA
UR78	2007-000074	R-CHIP;100ohm,5%,1/10W,TP,1608	1		SA	VFDC3	2203-005249	C-CER,CHIP;100nF,10%,50V,X7R,TP,160	1		SA
UR85	2007-000074	R-CHIP;100ohm,5%,1/10W,TP,1608	1		SA	VFDC4	2203-005249	C-CER,CHIP;100nF,10%,50V,X7R,TP,160	1		SA
UR86	2007-000074	R-CHIP;100ohm,5%,1/10W,TP,1608	1		SA	VFDC5	2203-005249	C-CER,CHIP;100nF,10%,50V,X7R,TP,160	1		SA
UR87	2007-000074	R-CHIP;100ohm,5%,1/10W,TP,1608	1		SA	VFDD1	0403-000390	DIODE-ZENER;UZP33B,1N4752A,31.4-34.	1		SA
UR9	2007-000078	R-CHIP;1Kohm,5%,1/10W,TP,1608	1		SA	VFDD2	0404-000156	DIODE-SCHOTTKY;RB441Q,40V,350MA,DO-	1		SA
UR90	2007-000070	R-CHIP;0ohm,5%,1/10W,TP,1608	1		SA	VFDJ1	AH07-00226A	VF DISPLAY;HNV-08SS83,HT-Z110,75.0X	1		SA
UR90A	2007-000102	R-CHIP;100Kohm,5%,1/10W,TP,1608	1		SA	VFIC1	1003-002129	IC-VFD;PT6315A,LQFP,44P,10x10mm,-40	1		SA
UR91	2007-000070	R-CHIP;0ohm,5%,1/10W,TP,1608	1		SA	VFSD1	0406-001128	DIODE-TVS;MLVS-0603-E08,50V	1		SA
UR91A	2007-000102	R-CHIP;100Kohm,5%,1/10W,TP,1608	1		SA	VIC1	1204-001978	IC-VIDEO PROCESS;LA73054,36P,SSOP,7	1		SA
UR92	2007-000070	R-CHIP;0ohm,5%,1/10W,TP,1608	1		SA	VL1	2703-000272	INDUCTOR-SMD;1.2uH,10%,2012	1		SA
UR92A	2007-000102	R-CHIP;100Kohm,5%,1/10W,TP,1608	1		SA	VL2	2703-000272	INDUCTOR-SMD;1.2uH,10%,2012	1		SA
URR4	2007-000106	R-CHIP;220Kohm,5%,1/10W,TP,1608	1		SA	VL3	2703-000272	INDUCTOR-SMD;1.2uH,10%,2012	1		SA
URR6	2007-000124	R-CHIP;2.2Kohm,5%,1/10W,TP,1608	1		SA	VL4	2703-000272	INDUCTOR-SMD;1.2uH,10%,2012	1		SA
URR7	2007-000084	R-CHIP;4.7Kohm,5%,1/10W,TP,1608	1		SA	VL5	3301-001495	BEAD-SMD;120ohm,2012,2500mA,TP,115o	1		SA
URR8	2007-000075	R-CHIP;220ohm,5%,1/10W,TP,1608	1		SA	VLC27	2203-000189	C-CER,CHIP;100nF,+80-20%,25V,Y5V,16	1		SA
USC1	2203-000280	C-CER,CHIP;0.01nF,0.5pF,50V,COG,160	1		SA	VLC28	2203-000189	C-CER,CHIP;100nF,+80-20%,25V,Y5V,16	1		SA
USC2	2203-000280	C-CER,CHIP;0.01nF,0.5pF,50V,COG,160	1		SA	VLE1	3406-001150	SWITCH-ROTARY;DC 5V,0.5mA,360,12.0	1		SA
USC3	2203-005249	C-CER,CHIP;100nF,10%,50V,X7R,TP,160	1		SA	VLR27	2007-000090	R-CHIP;10Kohm,5%,1/10W,TP,1608	1		SA
USC4	2401-001508	C-AL;47uF,20%,16V,GP,TP,6.3x5.5	1		SA	VLR28	2007-000090	R-CHIP;10Kohm,5%,1/10W,TP,1608	1		SA
USCN01	3722-001051	JACK-USB;4P/1C,AU,BLK,ANGLE,A TYPE	1		SA	VR1	2007-001167	R-CHIP;75ohm,5%,1/10W,TP,1608	1		SA
USL2	3301-001495	BEAD-SMD;120ohm,2012,2500mA,TP,115o	1		SA	VR10	2007-000070	R-CHIP;0ohm,5%,1/10W,TP,1608	1		SA
USR1	2007-000552	R-CHIP;20ohm,5%,1/10W,TP,1608	1		SA	VR11	2007-001167	R-CHIP;75ohm,5%,1/10W,TP,1608	1		SA
USR2	2007-000552	R-CHIP;20ohm,5%,1/10W,TP,1608	1		SA	VR12	2007-001167	R-CHIP;75ohm,5%,1/10W,TP,1608	1		SA
USR3	2007-000090	R-CHIP;10Kohm,5%,1/10W,TP,1608	1		SA	VR13	2007-001167	R-CHIP;75ohm,5%,1/10W,TP,1608	1		SA
USR4	2007-000092	R-CHIP;15Kohm,5%,1/10W,TP,1608	1		SA	VR14	2007-000070	R-CHIP;0ohm,5%,1/10W,TP,1608	1		SA
USR5	2007-000092	R-CHIP;15Kohm,5%,1/10W,TP,1608	1		SA	VR15	2007-000125	R-CHIP;3.9Kohm,5%,1/10W,TP,1608	1		SA
USW1	3404-000165	SWITCH-TACT;12V,50mA,160gf,6x6mm,SP	1		SA	VR16	2007-000125	R-CHIP;3.9Kohm,5%,1/10W,TP,1608	1		SA
USW2	3404-000165	SWITCH-TACT;12V,50mA,160gf,6x6mm,SP	1		SA	VR17	2007-001167	R-CHIP;75ohm,5%,1/10W,TP,1608	1		SA
USW3	3404-000165	SWITCH-TACT;12V,50mA,160gf,6x6mm,SP	1		SA	VR18	2007-000070	R-CHIP;0ohm,5%,1/10W,TP,1608	1		SA
USW4	3404-000165	SWITCH-TACT;12V,50mA,160gf,6x6mm,SP	1		SA	VR2	2007-001167	R-CHIP;75ohm,5%,1/10W,TP,1608	1		SA
USW5	3404-000165	SWITCH-TACT;12V,50mA,160gf,6x6mm,SP	1		SA	VR20	2007-000084	R-CHIP;4.7Kohm,5%,1/10W,TP,1608	1		SA
USW6	3404-000165	SWITCH-TACT;12V,50mA,160gf,6x6mm,SP	1		SA	VR3	2007-001167	R-CHIP;75ohm,5%,1/10W,TP,1608	1		SA
USW7	3404-000165	SWITCH-TACT;12V,50mA,160gf,6x6mm,SP	1		SA	VR4	2007-001167	R-CHIP;75ohm,5%,1/10W,TP,1608	1		SA
VAR1	1405-000186	VARIATOR;470V,2500A,17.5x7.5mm,TP	1		SA	VR5	2007-000070	R-CHIP;0ohm,5%,1/10W,TP,1608	1		SA
VC1	2401-001092	C-AL;330uF,20%,10V,GP,-,8x11.5,2.5m	1		SA	VR6	2007-001167	R-CHIP;75ohm,5%,1/10W,TP,1608	1		SA
VC10	2203-000280	C-CER,CHIP;0.01nF,0.5pF,50V,COG,160	1		SA	VR7	2007-001167	R-CHIP;75ohm,5%,1/10W,TP,1608	1		SA
VC11	2203-005819	C-CER,CHIP;1000nF,+80-20%,16V,Y5V,T	1		SA	VR8	2007-001167	R-CHIP;75ohm,5%,1/10W,TP,1608	1		SA
VC12	2203-005819	C-CER,CHIP;1000nF,+80-20%,16V,Y5V,T	1		SA	VR9	2007-001167	R-CHIP;75ohm,5%,1/10W,TP,1608	1		SA
VC13	2203-005819	C-CER,CHIP;1000nF,+80-20%,16V,Y5V,T	1		SA	X1	2801-004284	CRYSTAL-SMD;27MHZ,10PPM,28-AAN,20PF	1		SA
VC14	2203-005819	C-CER,CHIP;1000nF,+80-20%,16V,Y5V,T	1		SA	X-TAL1	2802-001174	RESONATOR-CERAMIC;10MHZ,0.5%,BK,8X3	1		SA
VC16	2203-005148	C-CER,CHIP;100nF,10%,16V,X7R,TP,160	1		SA	ZD2	0403-001318	DIODE-ZENER;MTZJ4.3B,4.17-4.43V,500	1		SA
VC17	2203-005148	C-CER,CHIP;100nF,10%,16V,X7R,TP,160	1		SA	ZD32N01	0403-000390	DIODE-ZENER;UZP33B,1N4752A,31.4-34.	1		SA
VC18	2203-006361	C-CER,CHIP;1000nF,10%,10V,X5R,TP,2	1		SA	ZD3502	0403-000398	DIODE-ZENER;UZP8.2B,7.7-8.7V,1000MW	1		SA

Exploded View & Part List

Loc. No.	Part No.	Description;Specification	Q'ty	SNA	Remark	Loc. No.	Part No.	Description;Specification	Q'ty	SNA	Remark
ZD3503	0403-000537	DIODE-ZENER;1N4749A,5%,1000mW,DO-41	1		SA						
ZD3504	0403-000537	DIODE-ZENER;1N4749A,5%,1000mW,DO-41	1		SA						
	AH99-00385A	ASSY AUTO INSERT;-HT-Z120,MAIN PCB	1		SNA						
	AH97-03244A	ASSY POWER-CORD;150MM;;-HT-Z120,-	1		SNA						
	3301-000132	CORE-FERRITE;AC,28.8x19.3x7.5mm,140	1		SA						
	3903-000396	CBF-POWER CORD;AT,EU,CP2,HOUSING(2P	1		SA						
	AH98-00170B	ASSY ACCESSORY;-HT-Z120T/XEF,-	1		SNA						
	3722-001027	JACK-PIN;2P/PI7.5,AU,BLK,STRAIGHT	1		SA						
	4301-000116	BATTERY-ALKALINE;1.5V,AAA,10.5x44.5	2		SA						
	6801-001763	CARD-REGISTRATION;Europe Registrati	1		SA						
	6902-000385	BAG PE;LDPE,T0.03,W250,L350,TRP,8,1	1		SA						
	AH39-40001V	CABLE-AUDIO CABLE;1P-1P,3000mm,YELL	1		SA						
	AH42-00021A	ANT FM T;T18011F-1,75 ohm,1800mm	1		SA						
	AH68-00650L	MARK RECYCLE-CARD-WARRANTY;YP-P2,EL	1		SA						
	AH68-02159C	MANUAL USERS;HT-Z120,XEF,FRN/NL/GER	1		SA						
	AH68-50254B	LABEL-SERIAL,T0.1,L10,W45,SME/SEHZ	1.05		SNA						
	AH98-00171B	ASSY LABEL;-HT-Z120T/XEF,-	1		SNA						
	AH63-01301A	SHEET-SET;HT-Q40	1		SNA						
	AH68-00371A	LABEL-BAR CODE;DVD-611/XAA,MOJO2000	1.05		SNA						
	AH68-01929C	LABEL RATING;ALL,ELS,ART PAPER,W53,	1.05		SNA						
	AH69-02483A	CUSHION-L;HT-Z120,EPS,20,140,360,10	1		SNA						
	AH69-02484A	CUSHION-R;HT-Z120,EPS,20,140,360,10	1		SNA						
	AH69-02546A	MASTER BOX;HT-Z120/MIC,PAPER,DW-1,3	1.03		SNA						
	AH96-00010C	ASSY DECK;HT-Z420/320/220,NEW TRAY,	1		SA						