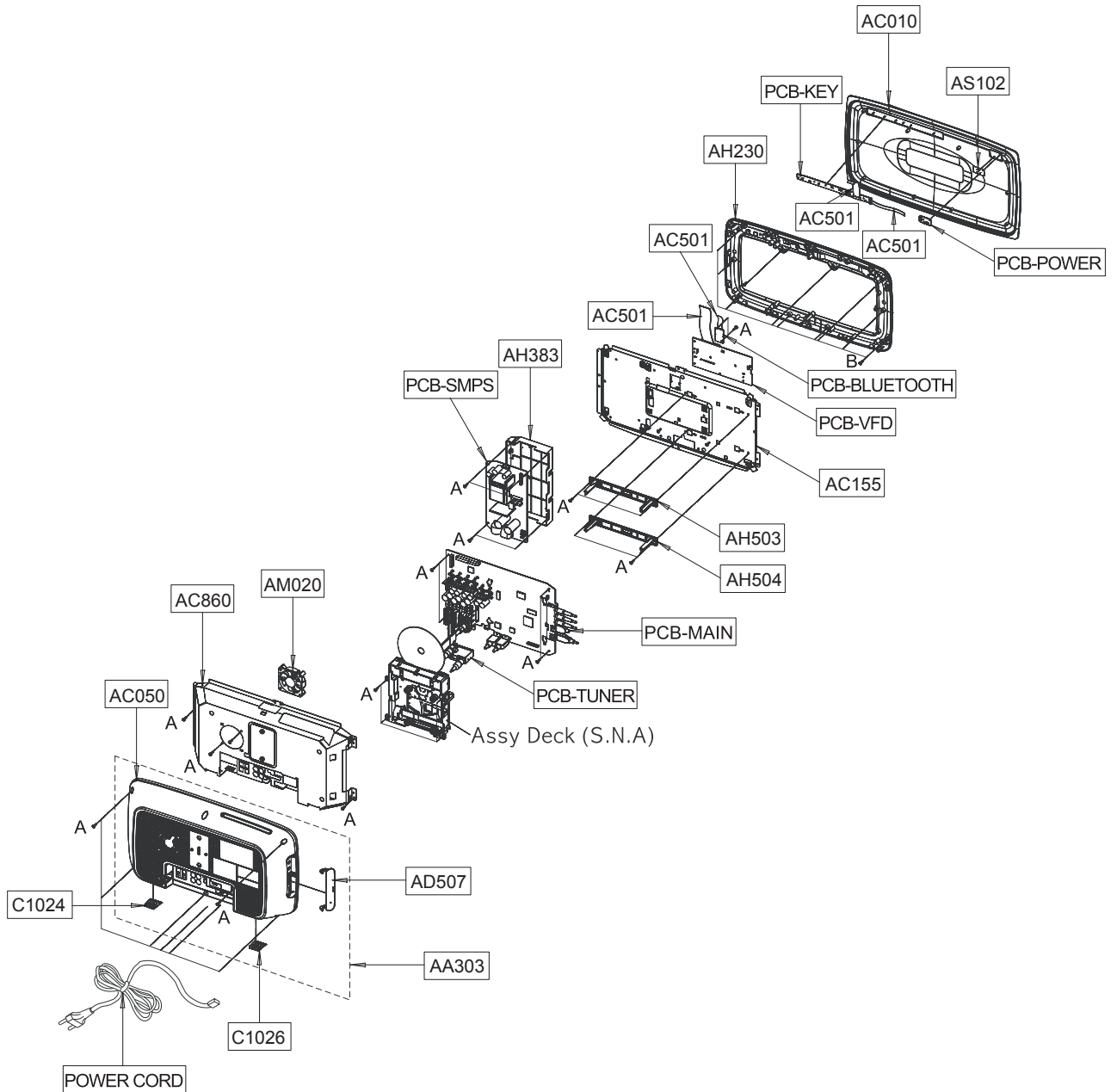

5. Exploded View & Part List

5-1	Exploded View	5-2
5-2	DECK Exploded View.....	5-4
5-3	Speaker System.....	5-6
5-4	Electrical Part List.....	5-7

5-1 Exploded View

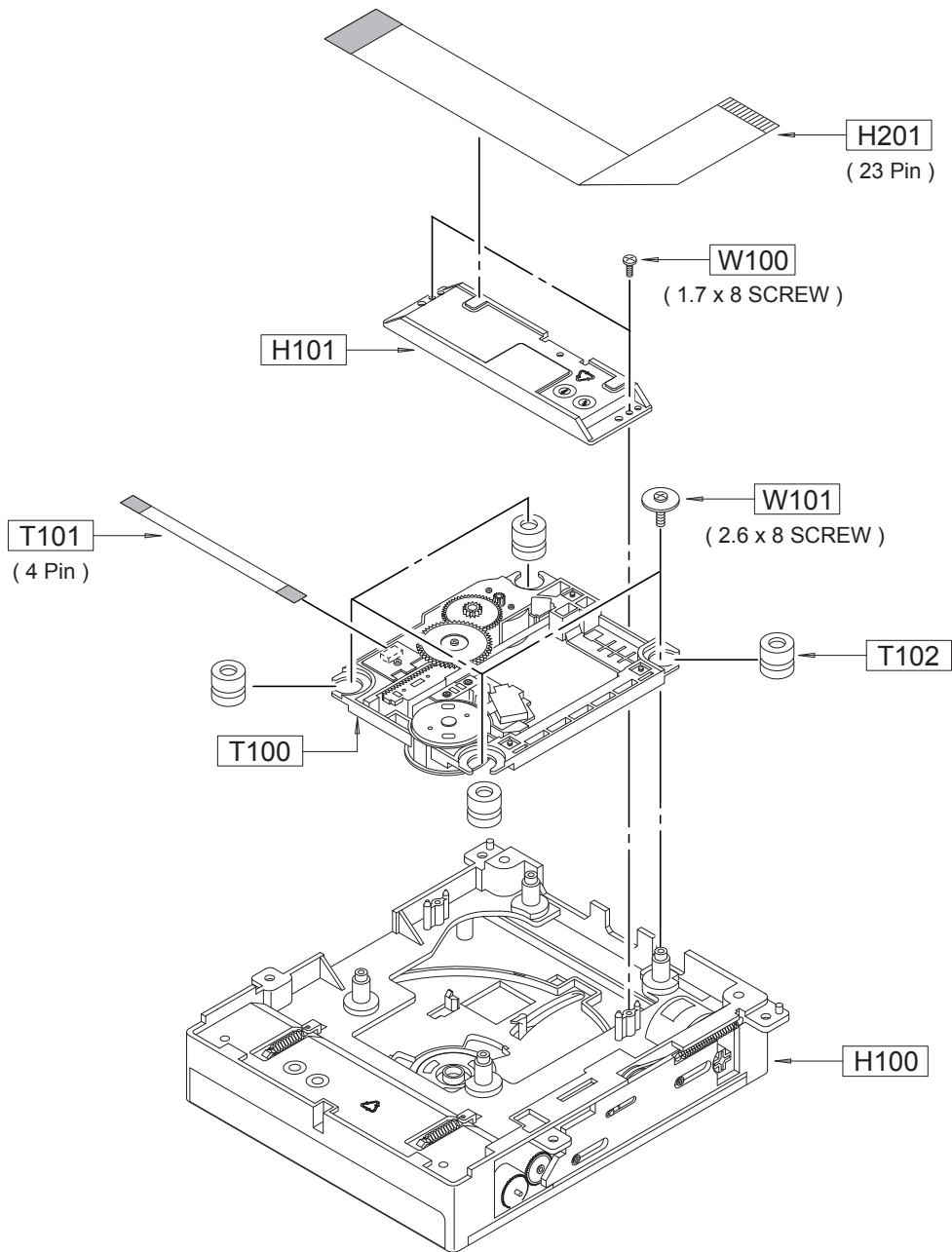


※ S.N.A: Service Not Available

■ Part List

Loc. No.	Code No.	Description;Specification	Q'ty	SNA	Remark
AA303	AH97-03091G	ASSY CABINET-REAR;HTS,HT-TX725H/KOR,5.1C	1	SA	
AC010	AH64-04839A	CABINET-FRONT;HT-X720,ABS+PMMA,T2.5,W242	1	SA	
AC050	AH64-04840G	CABINET-REAR;HT-TX725H,PMMA+ABS,BLACK,HI	1	SA	
AC155	AH64-04843A	CHASSIS-FRONT;HT-X720,SPTE,0.5,217.6,L41	1	SA	
AC501	3809-002228	CABLE-FLAT;30V,80C,130mm,22P,1.25mm,UL20	1	SA	
AC501	3809-002229	CABLE-FLAT;30V,80C,75mm,11P,1.0mm,UL2069	1	SA	
AC501	3809-002230	CABLE-FLAT;30V,80C,140mm,7P,1.0mm,UL2069	1	SA	
AC501	3809-002231	CABLE-FLAT;30V,80C,50mm,7P,1.0mm,UL20696	1	SA	
AC860	AH64-04842B	CHASSIS-REAR;HT-X720/EXP,SPTE,0.5,217.8,	1	SA	
AD507	AH64-04841A	DOOR-JACK;HT-X720,ABS,T2.5,24.9,W19.5,L1	1	SA	
AH230	AH61-02706A	HOLDER-FRONT;HT-X720,ABS,T2.5,W240.1,L43	1	SA	
AH383	AH61-02708A	HOLDER-SMPS;HT-X720,HIPS 94 V0,T2.5,W109	1	SA	
AH503	AH61-02730A	HOLDER-DECK-TOP;HT-X720,HI-PS,T2.5,W 200	1	SA	
AH504	AH61-02731A	HOLDER-DECK-BOTTOM;HT-X720,HI-PS,T2.5,W	1	SA	
AM020	AH31-00029E	MOTOR FAN;C161NK10B0110,MX-GT88,0.15A,1.	1	SA	
AS102	AH63-01837A	SHEET-POWER;HT-X720,PC,T0.2,W 16.6,L28.3	1	SA	
C1024	AH61-02710A	LEG-LEFT;HT-X720,ABS,BLACK,L21.8	1	SA	
C1026	AH61-02711A	LEG-RIGHT;HT-X720,ABS,BLACK,L21.8	1	SA	
PCB-BLUETOOTH	AH92-02839A	ASSY PCB-BLUETOOTH;-;HT-X715,BLUETOOTH,-	1	SA	
PCB-KEY	AH92-02968A	ASSY PCB-KEY;HOME THEATER,HT-X725,KEY PC	1	SA	
PCB-MAIN	AH92-02969D	ASSY PCB MAIN-EUR;HOME THEATER,HT-X720,M	1	SA	
PCB-POWER	AH92-03080A	ASSY PCB-POWER;HOME THEATER,HT-X725,KEY	1	SA	
PCB-SMPS	AH44-00199A	SMPS;HT-X715,HT-X715,HALF BRIDGE,15	1	SA	
PCB-TUNER	AH92-03025C	ASSY PCB-TUNER;HOME THEATER,HT-X720,TUNE	1	SA	
PCB-VFD	AH92-02967A	ASSY PCB-VFD;HOME THEATER,HT-X725,VFD PC	1	SA	
POWER CORD	3903-000396	CBF-POWER CORD;AT,EU,CP2,HOUSING(2P),250	1	SA	
A	6003-000275	SCREW-TAPTYPE;BH,+,-,B,M3,L10,ZPC(BLK),S	33	SA	
B	6003-000282	SCREW-TAPTYPE;BH,+,-,B,M3,L8,ZPC(BLK),SW	10	SA	

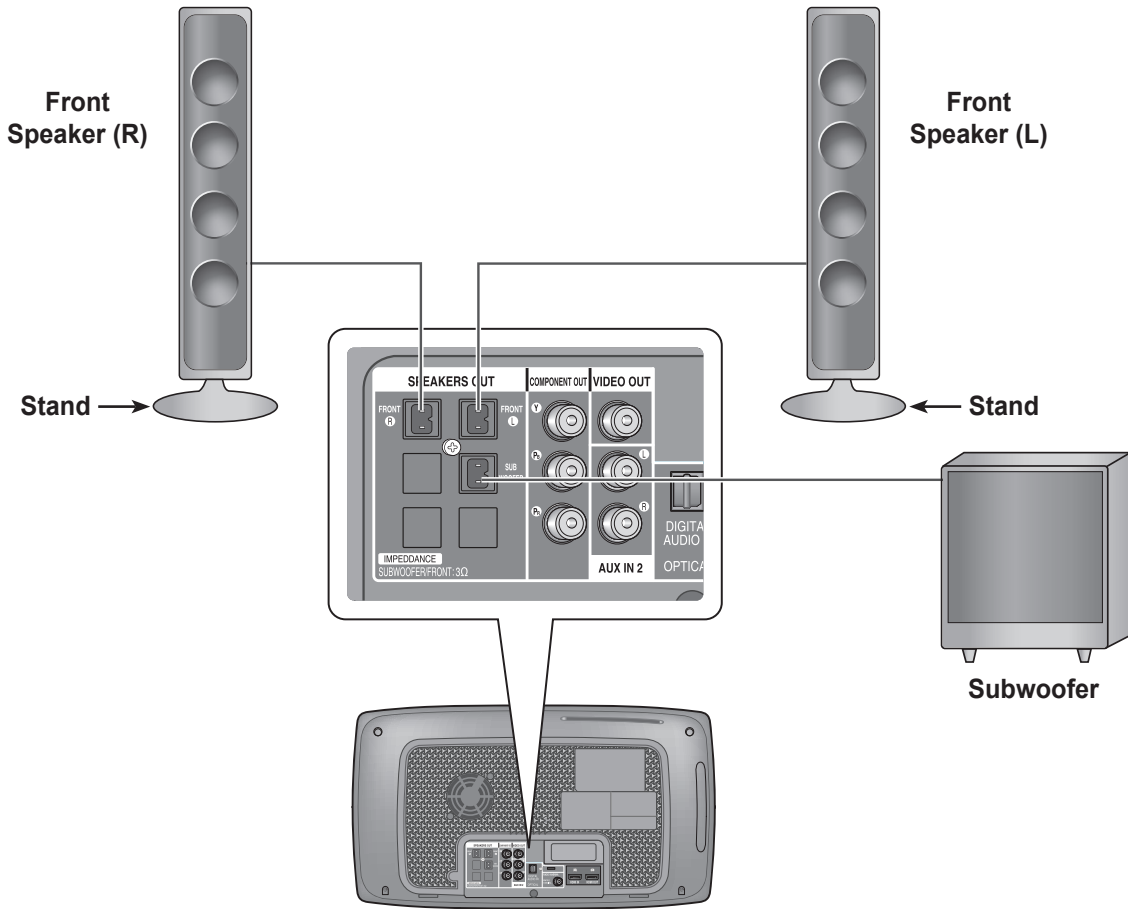
5-2 DECK Exploded View



■ Part List

Loc. No.	Code No.	Description;Specification	Q'ty	SNA	Remark
H100	AH82-00192A	A/S ASSY-HOUSING;SDM-S13V,VSH-M33D,HOUSING	1	SA	
H101	AH81-05443A	BRACKET-FFC;SDM-S13V,DVD SLOT-IN,ABS	1	SA	
H201	AH81-05444A	FFC-PU;SDM-S13V,DVD SLOT-IN,23PIN,1.0P L194	1	SA	
T100	AH97-02666A	ASSY-TRAVERSE;CMS-S78RB,DVD DECK	1	SA	
T101	AH81-05445A	FFC-TRAVERSE;SDM-S13V,SVS SLOT-IN,4PIN,1.0P	1	SA	
T102	AH81-05440A	INSULATOR-DECK DVD;SDM-S13V,DVD SLOT-IN	4	SA	
W100	AH81-05441A	SCREW-TAPTITE;SDM-S13V,DVD SLOT-IN,M1.7X8	2	SA	
W101	AH81-05442A	SCREW-INSULATOR;SDM-S13V,DVD SLOT-IN	4	SA	

5-3 Speaker System



■ Part List

Loc. No.	Code No.	Description;Specification	Q'ty	SNA	Remark
Front Speaker (L)	AH81-05020A	SPEAKER-FRONT-LEFT;PS-X720,SPEAKER SYSTEM,FOR FRONT-LEFT SPK,-,-,-,-	1	SA	
Front Speaker (R)	AH81-05019A	SPEAKER-FRONT-RIGHT; PS-X720,SPEAKER SYSTEM,FOR FRONT-RIGHT SPK,-,-,-,-	1	SA	
Subwoofer	AH81-05021A	SPEAKER-SUBWOOFER SPEAKER SYSTEM;PS-X720,SPEAKER SYSTEM,FOR SUBWOOFER SPK,-	1	SA	
Speaker Wire	AH81-04798A	SPEAKER-SPK WIRE;PS-X720,SPK WIRE,3 PCS IN A BAG,4M*3,-,-,-,-	1	SA	
Stand	AH81-04993A	SPEAKER-STAND ASS'Y;PS-X725,STAND ASS'Y,-,-,-,-,-	2	SA	

5-4 Electrical Part List

Loc. No.	Part No.	Description;Specification	Q'ty	SNA	Remark	Loc. No.	Part No.	Description;Specification	Q'ty	SNA	Remark
	AH59-02144C REMOCOCON-ASSY;HT-X720-EXP,SAMSUNG,23		1	SA			AH81-04993A	SPEAKER-STAND ASSY;PS-X725,STAND A	1	SA	
	AH83-00021A	CKD-CASE-TOP;VR9060,PMMA+ABS(SF-050	1	SNA			AH61-02767A	NECK-STAND FRONT;PS-X720,ABS	1	SA	
	AH83-00022A	CKD-CASE-BOTTOM;VR9060,ABS(HF-0680	1	SNA			AH63-01838A	COVER-STAND SATELLITE;PS-X720,ABS+P	1	SA	
	AH83-00023A	CKD-RUBBER-KEY;VR9060,SILICONE-RUBB	1	SNA			AH63-01840A	COVER-STAND BASE;PS-X720,ABS+PMMA	1	SA	
	AH83-00024A	CKD-SPRING-REMOCON(+);VR9060,SUS 30	1	SNA			AH81-03945A	SPEAKER-FOOT;PS-X725,PORON FOOT,FOR	4	SA	
	AH83-00025A	CKD-SPRING-REMOCON(-);VR9060,SUS 30	1	SNA			AH59-02220B SPEAKER SYSTEM-SUBWOOFER;PS-X720G,S	1	SNA		
	AH83-00026A	CKD-SPRING-REMOCON(C);VR9060,SUS 30	1	SNA			AH81-04796A	SPEAKER-SUBWOOFER CUSHION-TOP;PS-X7	2	SA	
	AH83-00027A	CKD-SCREW;VR9060,TAP,M2*5	1	SNA			AH81-04798A	SPEAKER-SPK WIRE;PS-X720,SPK WIRE,3	1	SA	
	AH83-00028A	CKD-PE-BAG;VR9060,HDPE/NITRON/HDPE,	1	SNA			AH81-05021A	SPEAKER-SUBWOOFER SPEAKER SYST;PS-X	1	SA	
	AH83-00029A	CKD-PASSED-LABEL;VR9060,ART 90g(WHI	1	SNA			AH64-05009A	PANEL-TOP SUBWOOFER;PS-X725,HIPS	1	SA	
	AH83-00030A	CKD-PCB;VR9060,FR-1,40.0*213*1.6T	1	SNA			AH64-05010A	PANEL-BTM SUBWOOFER;PS-X725,HIPS	1	SA	
	AH83-00031A	CKD-R-CHIP;VR9060,22,J,1/8W,2012,SM	1	SNA			AH64-05060A	PANEL FRONT-SUBWOOFER;PS-X725,HIPS,	1	SA	
	AH83-00032A	CKD-C-CHIP;VR9060,104,Z,50V,2012,SM	1	SNA			AH81-03859A	SPEAKER-UNIT;PS-Z310,SPEAKER UNIT,-	1	SA	
	AH83-00033A	CKD-LED-IR;VR9060,SI5312-H,CLEAR,5,	1	SNA			AH81-04797A	SPEAKER-SUBWOOFER FOOT;PS-X725,SUB	4	SA	
	AH83-00034A	CKD-LED-CHIP;VR9060,SY1216-C,ORANGE	2	SNA			AH81-04801A	SPEAKER-TREMINAL;PS-X725,TERMINAL,-	1	SNA	
	AH83-00035A	CKD-R-CHIP;VR9060,4.7,J,1/8W,2012,S	1	SNA			AH81-04810A	SPEAKER-SUBWOOFER LABEL;PS-X725,SU	1	SNA	
	AH83-00036A	CKD-TR-CHIP;VR9060,STC3265Y/2SC5344	1	SNA			AH92-03104A ASSY ACCESSORY;HT-X720,XEF	1	SNA		
	AH83-00040A	CKD-IC-MCU;VR9047,SILICONE-RUBBER,	1	SNA			4301-000116	BATTERY-ALKALINE;1.5V,AAA,10.5x44.5	2	SA	
	AK83-01003A	CKD-DOOR-BATTERY;VR9047,ABS(HF-0680	1	SNA			6801-001763	CARD-REGISTRATION;Europe Registrati	1	SA	
	AK83-01013A	CKD-E-CAPACITOR;VR9047,47uF,16V,M,5	1	SNA			6902-000385	BAG PE;LDPE,TO.03,W250,L350,TRP,8,1	1	SA	
	AK83-01017A	CKD-RESONATOR-CERAMIC;VR9047,4.0MHz	1	SNA			AH68-00650L	MARK RECYCLE-CARD-WARRANTY;YP-P2,EL	1	SA	
	AH59-02219B SPEAKER SYSTEM-SATELLITE;PS-X720G,S		1	SNA			AH68-02177F	MANUAL USERS;HT-X720,EDC,ENG/FRN/GE	1	SA	
	AH81-04792A	SPEAKER-FRONT CUSHION-TOP;PS-X725,F	1	SA			AH68-50254B	LABEL-SERIAL;TO.1,L10,W45,SME/SEHZ	1.05	SNA	
	AH81-04793A	SPEAKER-FRONT CUSHION-BTM;PS-X725,F	1	SA			AH81-02286C	A/S-EYEGLASS CLOTH;HT-TXQ120,POLY-B	1	SA	
	AH81-05019A	SPEAKER-FRONT-RIGHT SPEAKER SY;PS-X	1	SA			AH97-00846A ASSY SUB MATERIAL;AH97-00846A,-,-,-	1	SNA		
	AH81-04987A	SPEAKER-SPEAKER ASSY--RIGHT;PS-X72	1	SA			0201-001356	CEMEDINE;A121	0.003	SNA	
	AH61-02759A	CASE-REAR FRONT;PS-X720,ABS+PMMA,2,	1	SA			0201-001357	ADHESIVE-STRL;THREE BOND 1401B,GRN,	0.5	SNA	
	AH61-02764A	FRAME-NET FRONT;PS-X720,ABS+PMMA	1	SA			0203-000007	TAPE-FILAMENT;TO.15,L55M,TRP	0.1	SNA	
	AH63-01839A	COVER-STAND SUPPORT;PS-X720,ABS+PMM	1	SA			0203-001100	TAPE-OPP MASKING;OPP/W75/CLR,TO.05,	1.5	SNA	
	AH64-04943A	PANEL FRONT-FRONT;PS-X720,ABS+PMMA,	1	SA			0203-001362	TAPE-DOUBLE FACE;#570 W10X50M CLR	0.1	SNA	
	AH64-04950A	DECORATION-BTM;PS-X720,HIPS,2.7	1	SA			0205-001366	GREASE-SILICON;T4110	1.4	SNA	
	AH81-04801A	SPEAKER-TREMINAL;PS-X725,TERMINAL,-	1	SNA			PCB-BLUETOOTH AH92-02839A ASSY PCB-BLUETOOTH;-;HT-X715,BLUETO	1	SA		
	AH81-04804A	SPEAKER-FRONT CONNECT WIRE;PS-X725	1	SA			ANT1	AH42-00029A	ANTENNA PIFA;ACS2450OCBXX,HT-Z310,2	1	SA
	AH81-04805A	SPEAKER-FORNT LABEL-RIGHT;PS-X725,	1	SNA			BD1	3301-001364	BEAD-SMD;1000ohm,1608,150mA,TP,1085	1	SA
	AH81-04814A	SPEAKER-FRONT SPK UNIT;PS-X725,FRON	2	SA			BD2	3301-001364	BEAD-SMD;1000ohm,1608,150mA,TP,1085	1	SA
	AH81-04818A	SPEAKER-TWEETER SPK UNIT;PS-X725,TW	1	SA			BD3	3301-001364	BEAD-SMD;1000ohm,1608,150mA,TP,1085	1	SA
	AH81-04991A	SPEAKER-NET ASSY--FRONT;PS-X725,NE	1	SA			BT_PCB	AH41-01170A	PCB-BLUETOOTH;HT-X810,FR4,2,T1.6,98	0.05	SA
	AH81-04993A	SPEAKER-STAND ASSY;PS-X725,STAND A	1	SA			C10	2203-006324	C-CER,CHIP;2200nF,10%,10V,X5R,1608	1	SA
	AH61-02767A	NECK-STAND FRONT;PS-X720,ABS	1	SA			C11	2203-005148	C-CER,CHIP;100nF,10%,16V,X7R,TP,160	1	SA
	AH63-01838A	COVER-STAND SATELLITE;PS-X720,ABS+P	1	SA			C12	2203-005148	C-CER,CHIP;100nF,10%,16V,X7R,TP,160	1	SA
	AH63-01840A	COVER-STAND BASE;PS-X720,ABS+PMMA	1	SA			C13	2203-006427	C-CER,CHIP;4700nF,10%,16V,X5R,TP,20	1	SA
	AH81-03945A	SPEAKER-FOOT;PS-X725,PORON FOOT,FOR	4	SA			C14	2203-006427	C-CER,CHIP;4700nF,10%,16V,X5R,TP,20	1	SA
	AH81-05020A	SPEAKER-FRONT-RIGHT SPEAKER SY;PS-X	1	SA			C16	2203-005148	C-CER,CHIP;100nF,10%,16V,X7R,TP,160	1	SA
	AH81-04988A	SPEAKER-SPEAKER ASSY--LEFT;PS-X725	1	SA			C17	2203-005148	C-CER,CHIP;100nF,10%,16V,X7R,TP,160	1	SA
	AH61-02759A	CASE-REAR FRONT;PS-X720,ABS+PMMA,2,	1	SA			C18	2203-000257	C-CER,CHIP;10nF,10%,50V,X7R,TP,1608	1	SA
	AH61-02764A	FRAME-NET FRONT;PS-X720,ABS+PMMA	1	SA			C19	2203-000332	C-CER,CHIP;0.012nF,5%,50V,COG,1608	1	SA
	AH63-01839A	COVER-STAND SUPPORT;PS-X720,ABS+PMM	1	SA			C2	2203-006324	C-CER,CHIP;2200nF,10%,10V,X5R,1608	1	SA
	AH64-04943A	PANEL FRONT-FRONT;PS-X720,ABS+PMMA,	1	SA			C21	2203-005148	C-CER,CHIP;100nF,10%,16V,X7R,TP,160	1	SA
	AH64-04950A	DECORATION-BTM;PS-X720,HIPS,2.7	1	SA			C22	2203-000384	C-CER,CHIP;0.015nF,5%,50V,COG,1608	1	SA
	AH81-04801A	SPEAKER-TREMINAL;PS-X725,TERMINAL,-	1	SNA			C23	2203-006427	C-CER,CHIP;4700nF,10%,16V,X5R,TP,20	1	SA
	AH81-04804A	SPEAKER-FRONT CONNECT WIRE;PS-X725	1	SA			C4	2203-001083	C-CER,CHIP;0.0050nF,0.1pF,50V,NP0,1	1	SA
	AH81-04806A	SPEAKER-FORNT LABEL-LEFT;PS-X725,F	1	SNA							
	AH81-04814A	SPEAKER-FRONT SPK UNIT;PS-X725,FRON	2	SA							
	AH81-04818A	SPEAKER-TWEETER SPK UNIT;PS-X725,TW	1	SA							
	AH81-04991A	SPEAKER-NET ASSY--FRONT;PS-X725,NE	1	SA							

Exploded View & Part List

Loc. No.	Part No.	Description;Specification	Q'ty	SNA	Remark	Loc. No.	Part No.	Description;Specification	Q'ty	SNA	Remark
C5	2203-001083	C-CER,CHIP;0.0050nF,0.1pF,50V,NP0,1	1	SA		VFDR7	2001-000319	R-CARBON;120Kohm,5%,1/8W,AA,TP,1.8x	1	SA	
C6	2203-006427	C-CER,CHIP;4700nF,10%,16V,X5R,TP,20	1	SA		VFDR8	2001-000290	R-CARBON;10Kohm,5%,1/8W,AA,TP,1.8x3	1	SA	
C7	2203-006324	C-CER,CHIP;2200nF,10%,10V,X5R,1608	1	SA		VFDZD1	0403-001131	DIODE-ZENER;UZ3.3BSA,3.16-3.38V,500	1	SA	
C8	2203-005148	C-CER,CHIP;100nF,10%,16V,X7R,TP,160	1	SA		X725_VFD_PCB	AH41-01186A	PCB-VFD;HT-X725 VFD PCB,FR1,1,0,T1.	0.5	SNA	
C9	2203-000257	C-CER,CHIP;10nF,10%,50V,X7R,TP,1608	1	SA			AH99-00190A	ASSY AUTO INSERT-VFD;HOME THEATER,H	1	SNA	
CON1	3708-002061	CONNECTOR-FPC/FFC/PIC;7P,1mm,SMD-A,	1	SA		PCB-KEY	AH92-02968A	ASSY PCB-KEY;HOME THEATER,HT-X725,K	1	SA	
IC1	4709-001606	IC-BLUETOOTH MODULE,BTEM39B2SB,-,-,	1	SA		KEYC1	2203-000386	C-CER,CHIP;0.015nF,5%,50V,COG,1005	1	SA	
IC2	1203-002776	IC-POSI.FIXED REG.;G914D/MIC5255,SO	1	SA		KEYC10	2203-002709	C-CER,CHIP;100nF,+80-20%,16V,Y5V,10	1	SA	
IC3	1203-002776	IC-POSI.FIXED REG.;G914D/MIC5255,SO	1	SA		KEYC11	2203-002709	C-CER,CHIP;100nF,+80-20%,16V,Y5V,10	1	SA	
IC4	0801-000305	IC-CMOS LOGIC;7SU04,INVERTER,SOP,5P	1	SA		KEYC12	2203-000386	C-CER,CHIP;0.015nF,5%,50V,COG,1005	1	SA	
L1	2203-002663	C-CER,CHIP;3pF,10%,50V,X7R,TP,1608,	1	SA		KEYC13	2203-000386	C-CER,CHIP;0.015nF,5%,50V,COG,1005	1	SA	
L2	2703-003354	INDUCTOR-SMD;8.2nH,5%,1608	1	SNA		KEYC14	2203-000386	C-CER,CHIP;0.015nF,5%,50V,COG,1005	1	SA	
R1	2007-000102	R-CHIP;100Kohm,5%,1/10W,TP,1608	1	SA		KEYC15	2203-000386	C-CER,CHIP;0.015nF,5%,50V,COG,1005	1	SA	
R2	2007-000077	R-CHIP;470ohm,5%,1/10W,TP,1608	1	SA		KEYC16	2203-006361	C-CER,CHIP;1000nF,10%,10V,X5R,TP,2	1	SA	
R3	2007-000120	R-CHIP;680ohm,5%,1/10W,TP,1608	1	SA		KEYC18	2203-002709	C-CER,CHIP;100nF,+80-20%,16V,Y5V,10	1	SA	
R4	2007-000090	R-CHIP;10Kohm,5%,1/10W,TP,1608	1	SA		KEYC19	2203-000386	C-CER,CHIP;0.015nF,5%,50V,COG,1005	1	SA	
R5	2007-001026	R-CHIP;560Kohm,5%,1/10W,TP,1608	1	SA		KEYC2	2203-000386	C-CER,CHIP;0.015nF,5%,50V,COG,1005	1	SA	
R6	2007-000074	R-CHIP;100ohm,5%,1/10W,TP,1608	1	SA		KEYC3	2203-000386	C-CER,CHIP;0.015nF,5%,50V,COG,1005	1	SA	
R7	2007-000074	R-CHIP;100ohm,5%,1/10W,TP,1608	1	SA		KEYC4	2203-002709	C-CER,CHIP;100nF,+80-20%,16V,Y5V,10	1	SA	
R8	2007-000074	R-CHIP;100ohm,5%,1/10W,TP,1608	1	SA		KEYC5	2203-002709	C-CER,CHIP;100nF,+80-20%,16V,Y5V,10	1	SA	
R9	2007-000305	R-CHIP;10Mohm,5%,1/10W,TP,1608	1	SA		KEYC6	2203-002709	C-CER,CHIP;100nF,+80-20%,16V,Y5V,10	1	SA	
X-TAL1	2801-003856	CRYSTAL-SMD;0.032768MHz,20ppm,28-AC	1	SA		KEYC7	2203-002709	C-CER,CHIP;100nF,+80-20%,16V,Y5V,10	1	SA	
	AH44-00199A	SMPS;HT-X715,HT-X715,HALF BRIDGE,15	1	SA		KEYC8	2203-002709	C-CER,CHIP;100nF,+80-20%,16V,Y5V,10	1	SA	
	AH61-02708A	HOLDER-SMPS;HT-X720,HIPS 94 V0,T2.5	1	SA		KEYC9	2203-002709	C-CER,CHIP;100nF,+80-20%,16V,Y5V,10	1	SA	
	AH63-01195F	CUSHION-EMI;HT-A100,T10,W10,L10,WHI	1	SNA		KEYCN1	3708-001686	CONNECTOR-FPC/FFC/PIC;11P,1mm,SMD-A	1	SA	
	AH99-10014D	ASSY AUTO INSERT-PCB-BLUETOOTH;-;HT	1	SNA		KEYCN2	3708-002061	CONNECTOR-FPC/FFC/PIC;7P,1mm,SMD-A,	1	SA	
PCB-VFD	AH92-02967A	ASSY PCB-VFD;HOME THEATER,HT-X725,V	1	SA		KEYD1	0401-001099	DIODE-SWITCHING;1N4148WS,75V,150mA,	1	SA	
BTCN1	3708-001839	CONNECTOR-FPC/FFC/PIC;7P,1mm,STRAIG	1	SA		KEYD2	0401-001099	DIODE-SWITCHING;1N4148WS,75V,150mA,	1	SA	
BUZZER1	3002-001134	BUZZER-PIEZO;85dB,12V,2K-4KHz,BK	1	SA		KEYD3	0401-001099	DIODE-SWITCHING;1N4148WS,75V,150mA,	1	SA	
FCN1	3708-001438	CONNECTOR-FPC/FFC/PIC;22P,1.25mm,AN	1	SA		KEYD4	0401-001099	DIODE-SWITCHING;1N4148WS,75V,150mA,	1	SA	
FJMP2	3811-001868	WIRE-NO SHEATH CU;SnCuFe,52mm,GRY	1	SA		KEYD5	0401-001099	DIODE-SWITCHING;1N4148WS,75V,150mA,	1	SA	
FJMP4	3811-001868	WIRE-NO SHEATH CU;SnCuFe,52mm,GRY	1	SA		KEYD6	0401-001099	DIODE-SWITCHING;1N4148WS,75V,150mA,	1	SA	
FJMP5	3811-001868	WIRE-NO SHEATH CU;SnCuFe,52mm,GRY	1	SA		KEYD7	0401-001099	DIODE-SWITCHING;1N4148WS,75V,150mA,	1	SA	
FJMP6	3811-001868	WIRE-NO SHEATH CU;SnCuFe,52mm,GRY	1	SA		KEYD9	0401-001099	DIODE-SWITCHING;1N4148WS,75V,150mA,	1	SA	
FJMP8	3811-001868	WIRE-NO SHEATH CU;SnCuFe,52mm,GRY	1	SA		KEYIC1	1209-001851	IC-SENSOR;MST08S16,SOP,16P,9.9x3.9m	1	SA	
FJMP9	3811-001868	WIRE-NO SHEATH CU;SnCuFe,52mm,GRY	1	SA		KEYR1	2007-000152	R-CHIP;20Kohm,5%,1/16W,TP,1005	1	SA	
HOLDER-VFD	AH61-02709A	HOLDER-VFD;HT-X720,ABS,T2.5,W45.5,L	1	SA		KEYR10	2007-003012	R-CHIP;2.2Mohm,5%,1/16W,TP,1005	1	SA	
REM1	0609-001202	MODULE REMOCON;HORIZONTAL,12.4mm,TR	1	SA		KEYR11	2007-003012	R-CHIP;2.2Mohm,5%,1/16W,TP,1005	1	SA	
VFD1	AH97-02494A	ASSY-VFD DISPLAY,VFD (Driver IC+,GP	1	SA		KEYR12	2007-003012	R-CHIP;2.2Mohm,5%,1/16W,TP,1005	1	SA	
VFDC1	2202-002037	C-CERAMIC,MLC-AXIAL;100nF,+80-20%,5	1	SA		KEYR13	2007-000152	R-CHIP;20Kohm,5%,1/16W,TP,1005	1	SA	
VFDC10	2401-000414	C-AL;10uF,20%,16V,GP,TP,4x7,5	1	SA		KEYR14	2007-000152	R-CHIP;20Kohm,5%,1/16W,TP,1005	1	SA	
VFDC11	2401-003036	C-AL;100uF,20%,16V,GP,TP,5X11mm,5mm	1	SA		KEYR15	2007-000152	R-CHIP;20Kohm,5%,1/16W,TP,1005	1	SA	
VFDC2	2401-003036	C-AL;100uF,20%,16V,GP,TP,5X11mm,5mm	1	SA		KEYR16	2007-000152	R-CHIP;20Kohm,5%,1/16W,TP,1005	1	SA	
VFDC3	2202-002037	C-CERAMIC,MLC-AXIAL;100nF,+80-20%,5	1	SA		KEYR19	2007-000152	R-CHIP;20Kohm,5%,1/16W,TP,1005	1	SA	
VFDC4	2401-000385	C-AL;10uF,20%,100V,GP,TP,6.3x11,5	1	SA		KEYR2	2007-000152	R-CHIP;20Kohm,5%,1/16W,TP,1005	1	SA	
VFDC5	2202-000121	C-CERAMIC,MLC-AXIAL;0.1nF,10%,50V,Y	1	SA		KEYR3	2007-000152	R-CHIP;20Kohm,5%,1/16W,TP,1005	1	SA	
VFDC6	2401-000414	C-AL;10uF,20%,16V,GP,TP,4x7,5	1	SA		KEYR4	2007-003012	R-CHIP;2.2Mohm,5%,1/16W,TP,1005	1	SA	
VFDC7	2202-002037	C-CERAMIC,MLC-AXIAL;100nF,+80-20%,5	1	SA		KEYR5	2007-003012	R-CHIP;2.2Mohm,5%,1/16W,TP,1005	1	SA	
VFDC8	2202-002037	C-CERAMIC,MLC-AXIAL;100nF,+80-20%,5	1	SA		KEYR6	2007-003012	R-CHIP;2.2Mohm,5%,1/16W,TP,1005	1	SA	
VFDC9	2401-000414	C-AL;10uF,20%,16V,GP,TP,4x7,5	1	SA		KEYR7	2007-001329	R-CHIP;7.5Kohm,5%,1/16W,TP,1005	1	SA	
VFDR1	2001-000281	R-CARBON;100ohm,5%,1/8W,AA,TP,1.8x3	1	SA		KEYR8	2007-003012	R-CHIP;2.2Mohm,5%,1/16W,TP,1005	1	SA	
VFDR2	2001-000302	R-CARBON;10ohm,5%,1/8W,AA,TP,1.8x3.	1	SA		KEYR9	2007-003012	R-CHIP;2.2Mohm,5%,1/16W,TP,1005	1	SA	
VFDR3	2001-000281	R-CARBON;100ohm,5%,1/8W,AA,TP,1.8x3	1	SA		X725_KEY_PCB	AH41-01187A	PCB-KEY;HT-X725 KEY PCB,EPOXY,2,0,T	0.125	SNA	
VFDR4	2001-000281	R-CARBON;100ohm,5%,1/8W,AA,TP,1.8x3	1	SA			AH99-00191A	ASSY AUTO INSERT-KEY;HOME THEATER,H	1	SNA	
VFDR5	2001-000302	R-CARBON;10ohm,5%,1/8W,AA,TP,1.8x3.	1	SA		PCB-MAIN	AH92-02969D	ASSY PCB MAIN-EUR;HOME THEATER,HT-X	1	SA	
VFDR6	2001-000281	R-CARBON;100ohm,5%,1/8W,AA,TP,1.8x3	1	SA		AD20	0401-001090	DIODE-SWITCHING;1SS355,80V,100MA,SO	1	SA	
						AD21	0401-001090	DIODE-SWITCHING;1SS355,80V,100MA,SO	1	SA	

Loc. No.	Part No.	Description;Specification	Q'ty	SNA	Remark	Loc. No.	Part No.	Description;Specification	Q'ty	SNA	Remark
AD22	0401-001090	DIODE-SWITCHING;1SS355,80V,100MA,SO	1	SA		ADR8	2007-000102	R-CHIP;100Kohm,5%,1/10W,TP,1608	1	SA	
AD23	0401-001090	DIODE-SWITCHING;1SS355,80V,100MA,SO	1	SA		ADR9	2007-000074	R-CHIP;100ohm,5%,1/10W,TP,1608	1	SA	
AD24	0401-001090	DIODE-SWITCHING;1SS355,80V,100MA,SO	1	SA		AIC1	1003-002143	IC-GATE DRIVER;IRS2092STRPBF,SOP,16	1	SA	
AD25	0401-001090	DIODE-SWITCHING;1SS355,80V,100MA,SO	1	SA		AIC10	AH14-10003E	IC;KIA7812PI,,TO-220	1	SA	
ADC1	2203-002398	C-CER,CHIP;22nF,10%,50V,X7R,1608	1	SA		AIC11	1203-000119	IC-NEGA.FIXED REG.;7905,TO-220,3P,P	1	SA	
ADC10	2203-005148	C-CER,CHIP;100nF,10%,16V,X7R,TP,160	1	SA		AIC2	1003-002143	IC-GATE DRIVER;IRS2092STRPBF,SOP,16	1	SA	
ADC12	2203-005148	C-CER,CHIP;100nF,10%,16V,X7R,TP,160	1	SA		AIC3	1003-002143	IC-GATE DRIVER;IRS2092STRPBF,SOP,16	1	SA	
ADC13	2203-006361	C-CER,CHIP;10000nF,10%,10V,X5R,TP,2	1	SA		AIC7	1201-000163	IC-OP AMP;4560,SOP,8P,173MIL,DUAL,1	1	SA	
ADC14	2203-000491	C-CER,CHIP;2.2nF,10%,50V,X7R,1608	1	SA		AIC8	1201-000163	IC-OP AMP;4560,SOP,8P,173MIL,DUAL,1	1	SA	
ADC15	2203-000491	C-CER,CHIP;2.2nF,10%,50V,X7R,1608	1	SA		AJ01	3716-001275	TERMINAL-BLOCK;WIRE TYPE,12P,21mm,4	1	SA	
ADC16	2203-006361	C-CER,CHIP;10000nF,10%,10V,X5R,TP,2	1	SA		AJ02	3711-000814	HEADER-BOARD TO CABLE;BOX,2P,1R,2.5	1	SA	
ADC17	2203-005148	C-CER,CHIP;100nF,10%,16V,X7R,TP,160	1	SA		AJ03	AH39-01039A	WIRE HARNESS;HT-X725,6P-6B F/LW #2	1	SA	
ADC18	2203-006361	C-CER,CHIP;10000nF,10%,10V,X5R,TP,2	1	SA		AL01	AH27-00069A	COIL FILTER;8019P-02-220L,22uH,0.1o	1	SA	
ADC19	2203-000783	C-CER,CHIP;0.33nF,5%,50V,C0G,1608	1	SA		AL02	AH27-00069A	COIL FILTER;8019P-02-220L,22uH,0.1o	1	SA	
ADC2	2203-005148	C-CER,CHIP;100nF,10%,16V,X7R,TP,160	1	SA		AL03	AH27-00069A	COIL FILTER;8019P-02-220L,22uH,0.1o	1	SA	
ADC20	2203-005148	C-CER,CHIP;100nF,10%,16V,X7R,TP,160	1	SA		AMC1	2203-000531	C-CER,CHIP;2.7nF,10%,50V,X7R,1608	1	SA	
ADC21	2402-000130	C-AL,SMD;2.2uF,20%,50V,GP,TP,4.3x4.	1	SA		AMC10	2203-000531	C-CER,CHIP;2.7nF,10%,50V,X7R,1608	1	SA	
ADC22	2402-000130	C-AL,SMD;2.2uF,20%,50V,GP,TP,4.3x4.	1	SA		AMC100	2203-006336	C-CER,CHIP;10000nF,10%,25V,X5R,3216	1	SA	
ADC23	2203-000783	C-CER,CHIP;0.33nF,5%,50V,C0G,1608	1	SA		AMC101	2203-005249	C-CER,CHIP;100nF,10%,50V,X7R,TP,160	1	SA	
ADC24	2203-000236	C-CER,CHIP;0.1nF,5%,50V,C0G,1608	1	SA		AMC102	2203-006698	C-CER,CHIP;1000nF,10%,25V,X7R,1608	1	SA	
ADC25	2203-006361	C-CER,CHIP;10000nF,10%,10V,X5R,TP,2	1	SA		AMC103	2203-006336	C-CER,CHIP;10000nF,10%,25V,X5R,3216	1	SA	
ADC26	2203-000189	C-CER,CHIP;100nF,+80-20%,25V,Y5V,16	1	SA		AMC104	2203-005249	C-CER,CHIP;100nF,10%,50V,X7R,TP,160	1	SA	
ADC27	2203-006361	C-CER,CHIP;10000nF,10%,10V,X5R,TP,2	1	SA		AMC105	2203-006698	C-CER,CHIP;1000nF,10%,25V,X7R,1608	1	SA	
ADC28	2203-001596	C-CER,CHIP;2200nF,+80-20%,50V,Y5V,2	1	SA		AMC106	2203-006336	C-CER,CHIP;10000nF,10%,25V,X5R,3216	1	SA	
ADC29	2203-000189	C-CER,CHIP;100nF,+80-20%,25V,Y5V,16	1	SA		AMC107	2203-005249	C-CER,CHIP;100nF,10%,50V,X7R,TP,160	1	SA	
ADC3	2203-000236	C-CER,CHIP;0.1nF,5%,50V,C0G,1608	1	SA		AMC108	2203-006698	C-CER,CHIP;1000nF,10%,25V,X7R,1608	1	SA	
ADC32	2203-006361	C-CER,CHIP;10000nF,10%,10V,X5R,TP,2	1	SA		AMC109	2203-006336	C-CER,CHIP;10000nF,10%,25V,X5R,3216	1	SA	
ADC33	2203-000236	C-CER,CHIP;0.1nF,5%,50V,C0G,1608	1	SA		AMC11	2203-000531	C-CER,CHIP;2.7nF,10%,50V,X7R,1608	1	SA	
ADC4	2402-000130	C-AL,SMD;2.2uF,20%,50V,GP,TP,4.3x4.	1	SA		AMC110	2203-005249	C-CER,CHIP;100nF,10%,50V,X7R,TP,160	1	SA	
ADC5	2402-000130	C-AL,SMD;2.2uF,20%,50V,GP,TP,4.3x4.	1	SA		AMC111	2203-006698	C-CER,CHIP;1000nF,10%,25V,X7R,1608	1	SA	
ADC6	2203-006361	C-CER,CHIP;10000nF,10%,10V,X5R,TP,2	1	SA		AMC112	2203-006336	C-CER,CHIP;10000nF,10%,25V,X5R,3216	1	SA	
ADC7	2402-000130	C-AL,SMD;2.2uF,20%,50V,GP,TP,4.3x4.	1	SA		AMC113	2203-005249	C-CER,CHIP;100nF,10%,50V,X7R,TP,160	1	SA	
ADC8	2402-000130	C-AL,SMD;2.2uF,20%,50V,GP,TP,4.3x4.	1	SA		AMC114	2203-006698	C-CER,CHIP;1000nF,10%,25V,X7R,1608	1	SA	
ADC9	2203-000189	C-CER,CHIP;100nF,+80-20%,25V,Y5V,16	1	SA		AMC115	2203-005249	C-CER,CHIP;100nF,10%,50V,X7R,TP,160	1	SA	
ADCL1	3301-001495	BEAD-SMD;120ohm,2012,2500mA,TP,115o	1	SA		AMC116	2203-005249	C-CER,CHIP;100nF,10%,50V,X7R,TP,160	1	SA	
ADCL2	3301-001495	BEAD-SMD;120ohm,2012,2500mA,TP,115o	1	SA		AMC117	2203-001126	C-CER,CHIP;0.68nF,10%,50V,X7R,1608	1	SA	
ADCL4	3301-001495	BEAD-SMD;120ohm,2012,2500mA,TP,115o	1	SA		AMC118	2203-001386	C-CER,CHIP;100nF,10%,100V,X7R,TP,32	1	SA	
ADCL5	3301-001495	BEAD-SMD;120ohm,2012,2500mA,TP,115o	1	SA		AMC119	2203-005249	C-CER,CHIP;100nF,10%,50V,X7R,TP,160	1	SA	
ADIC1	1002-001548	IC-A/D CONVERTER;CSS345,24,LQFP,48P	1	SA		AMC12	2203-000140	C-CER,CHIP;1.5nF,10%,50V,X7R,1608	1	SA	
ADQ1	0504-000128	TR-DIGITAL;-NPN,200MW,22K/22K,SOT-	1	SA		AMC120	2203-005249	C-CER,CHIP;100nF,10%,50V,X7R,TP,160	1	SA	
ADQ2	0504-000156	TR-DIGITAL;KSR2103,PNP,200MW,22K/22	1	SA		AMC121	2203-005249	C-CER,CHIP;100nF,10%,50V,X7R,TP,160	1	SA	
ADR1	2007-000094	R-CHIP;22Kohm,5%,1/10W,TP,1608	1	SA		AMC122	2203-005249	C-CER,CHIP;100nF,10%,50V,X7R,TP,160	1	SA	
ADR10	2007-000074	R-CHIP;100ohm,5%,1/10W,TP,1608	1	SA		AMC123	2203-005249	C-CER,CHIP;100nF,10%,50V,X7R,TP,160	1	SA	
ADR11	2007-000074	R-CHIP;100ohm,5%,1/10W,TP,1608	1	SA		AMC124	2203-001126	C-CER,CHIP;0.68nF,10%,50V,X7R,1608	1	SA	
ADR12	2007-000074	R-CHIP;100ohm,5%,1/10W,TP,1608	1	SA		AMC125	2203-001386	C-CER,CHIP;100nF,10%,100V,X7R,TP,32	1	SA	
ADR13	2007-000074	R-CHIP;100ohm,5%,1/10W,TP,1608	1	SA		AMC126	2203-005249	C-CER,CHIP;100nF,10%,50V,X7R,TP,160	1	SA	
ADR14	2007-000097	R-CHIP;47Kohm,5%,1/10W,TP,1608	1	SA		AMC127	2203-005249	C-CER,CHIP;100nF,10%,50V,X7R,TP,160	1	SA	
ADR15	2007-000094	R-CHIP;22Kohm,5%,1/10W,TP,1608	1	SA		AMC128	2203-005249	C-CER,CHIP;100nF,10%,50V,X7R,TP,160	1	SA	
ADR16	2007-000094	R-CHIP;22Kohm,5%,1/10W,TP,1608	1	SA		AMC129	2203-005249	C-CER,CHIP;100nF,10%,50V,X7R,TP,160	1	SA	
ADR17	2007-000097	R-CHIP;47Kohm,5%,1/10W,TP,1608	1	SA		AMC13	2203-000531	C-CER,CHIP;2.7nF,10%,50V,X7R,1608	1	SA	
ADR18	2007-000124	R-CHIP;2.2Kohm,5%,1/10W,TP,1608	1	SA		AMC130	2203-005249	C-CER,CHIP;100nF,10%,50V,X7R,TP,160	1	SA	
ADR19	2007-000124	R-CHIP;2.2Kohm,5%,1/10W,TP,1608	1	SA		AMC131	2203-001386	C-CER,CHIP;100nF,10%,100V,X7R,TP,32	1	SA	
ADR2	2007-000094	R-CHIP;22Kohm,5%,1/10W,TP,1608	1	SA		AMC132	2203-005249	C-CER,CHIP;100nF,10%,50V,X7R,TP,160	1	SA	
ADR3	2007-000090	R-CHIP;10Kohm,5%,1/10W,TP,1608	1	SA		AMC133	2203-005249	C-CER,CHIP;100nF,10%,50V,X7R,TP,160	1	SA	
ADR4	2007-000090	R-CHIP;10Kohm,5%,1/10W,TP,1608	1	SA		AMC134	2203-005249	C-CER,CHIP;100nF,10%,50V,X7R,TP,160	1	SA	
ADR5	2007-000106	R-CHIP;220Kohm,5%,1/10W,TP,1608	1	SA		AMC135	2203-005249	C-CER,CHIP;100nF,10%,50V,X7R,TP,160	1	SA	
ADR6	2007-000106	R-CHIP;220Kohm,5%,1/10W,TP,1608	1	SA		AMC136	2203-001386	C-CER,CHIP;100nF,10%,100V,X7R,TP,32	1	SA	
ADR7	2007-000102	R-CHIP;100Kohm,5%,1/10W,TP,1608	1	SA		AMC137	2203-005249	C-CER,CHIP;100nF,10%,50V,X7R,TP,160	1	SA	
						AMC138	2203-005249	C-CER,CHIP;100nF,10%,50V,X7R,TP,160	1	SA	

Exploded View & Part List

Loc. No.	Part No.	Description;Specification	Q'ty	SNA	Remark	Loc. No.	Part No.	Description;Specification	Q'ty	SNA	Remark
AMC139	2203-000189	C-CER,CHIP;100nF,+80-20%,25V,Y5V,16	1		SA	AMC211	2401-004447	C-AL;680uF,20%,50V,LZ,TP,12.5x25mm,	1		SA
AMC14	2203-000531	C-CER,CHIP;2.7nF,10%,50V,X7R,1608	1		SA	AMC212	2203-000189	C-CER,CHIP;100nF,+80-20%,25V,Y5V,16	1		SA
AMC140	2203-005249	C-CER,CHIP;100nF,10%,50V,X7R,TP,160	1		SA	AMC213	2203-000189	C-CER,CHIP;100nF,+80-20%,25V,Y5V,16	1		SA
AMC141	2203-005249	C-CER,CHIP;100nF,10%,50V,X7R,TP,160	1		SA	AMC22	2203-001126	C-CER,CHIP;0.68nF,10%,50V,X7R,1608	1		SA
AMC142	2402-000130	C-AL,SMD;2.2uF,20%,50V,GP,TP,4.3x4.	1		SA	AMC23	2203-001126	C-CER,CHIP;0.68nF,10%,50V,X7R,1608	1		SA
AMC143	2203-005249	C-CER,CHIP;100nF,10%,50V,X7R,TP,160	1		SA	AMC24	2203-001126	C-CER,CHIP;0.68nF,10%,50V,X7R,1608	1		SA
AMC144	2203-005249	C-CER,CHIP;100nF,10%,50V,X7R,TP,160	1		SA	AMC25	2203-001126	C-CER,CHIP;0.68nF,10%,50V,X7R,1608	1		SA
AMC145	2402-001042	C-AL,SMD;100uF,20%,16V,GP,TP,6.6x6.6	1		SA	AMC26	2203-005249	C-CER,CHIP;100nF,10%,50V,X7R,TP,160	1		SA
AMC146	2203-001386	C-CER,CHIP;100nF,10%,100V,X7R,TP,32	1		SA	AMC27	2203-001126	C-CER,CHIP;0.68nF,10%,50V,X7R,1608	1		SA
AMC147	2203-005249	C-CER,CHIP;100nF,10%,50V,X7R,TP,160	1		SA	AMC28	2203-001126	C-CER,CHIP;0.68nF,10%,50V,X7R,1608	1		SA
AMC148	2203-005249	C-CER,CHIP;100nF,10%,50V,X7R,TP,160	1		SA	AMC29	2203-001126	C-CER,CHIP;0.68nF,10%,50V,X7R,1608	1		SA
AMC15	2203-000140	C-CER,CHIP;1.5nF,10%,50V,X7R,1608	1		SA	AMC3	2203-000140	C-CER,CHIP;1.5nF,10%,50V,X7R,1608	1		SA
AMC150	2203-005249	C-CER,CHIP;100nF,10%,50V,X7R,TP,160	1		SA	AMC30	2203-001126	C-CER,CHIP;0.68nF,10%,50V,X7R,1608	1		SA
AMC151	2203-005249	C-CER,CHIP;100nF,10%,50V,X7R,TP,160	1		SA	AMC31	2203-006698	C-CER,CHIP;1000nF,10%,25V,X7R,1608	1		SA
AMC153	2203-001386	C-CER,CHIP;100nF,10%,100V,X7R,TP,32	1		SA	AMC32	2402-001049	C-AL,SMD;10uF,20%,16V,GP,TP,3.3x3.3	1		SA
AMC154	2203-005249	C-CER,CHIP;100nF,10%,50V,X7R,TP,160	1		SA	AMC33	2203-005249	C-CER,CHIP;100nF,10%,50V,X7R,TP,160	1		SA
AMC155	2203-005249	C-CER,CHIP;100nF,10%,50V,X7R,TP,160	1		SA	AMC34	2203-006698	C-CER,CHIP;1000nF,10%,25V,X7R,1608	1		SA
AMC157	2305-000407	C-FILM,LEAD-PEF;470nF,5%,100V,TP,10	1		SA	AMC35	2203-005249	C-CER,CHIP;100nF,10%,50V,X7R,TP,160	1		SA
AMC158	2305-000704	C-FILM,LEAD-PEF;100nF,5%,250V,TP,16	1		SA	AMC36	2402-001049	C-AL,SMD;10uF,20%,16V,GP,TP,3.3x3.3	1		SA
AMC159	2305-000407	C-FILM,LEAD-PEF;470nF,5%,100V,TP,10	1		SA	AMC37	2203-006698	C-CER,CHIP;1000nF,10%,25V,X7R,1608	1		SA
AMC16	2203-000531	C-CER,CHIP;2.7nF,10%,50V,X7R,1608	1		SA	AMC38	2203-006698	C-CER,CHIP;1000nF,10%,25V,X7R,1608	1		SA
AMC160	2305-000704	C-FILM,LEAD-PEF;100nF,5%,250V,TP,16	1		SA	AMC39	2203-005249	C-CER,CHIP;100nF,10%,50V,X7R,TP,160	1		SA
AMC161	2305-000407	C-FILM,LEAD-PEF;470nF,5%,100V,TP,10	1		SA	AMC4	2203-000531	C-CER,CHIP;2.7nF,10%,50V,X7R,1608	1		SA
AMC162	2305-000704	C-FILM,LEAD-PEF;100nF,5%,250V,TP,16	1		SA	AMC40	2203-005249	C-CER,CHIP;100nF,10%,50V,X7R,TP,160	1		SA
AMC169	2203-000491	C-CER,CHIP;2.2nF,10%,50V,X7R,1608	1		SA	AMC41	2402-001049	C-AL,SMD;10uF,20%,16V,GP,TP,3.3x3.3	1		SA
AMC17	2203-000531	C-CER,CHIP;2.7nF,10%,50V,X7R,1608	1		SA	AMC42	2203-006698	C-CER,CHIP;1000nF,10%,25V,X7R,1608	1		SA
AMC170	2203-000491	C-CER,CHIP;2.2nF,10%,50V,X7R,1608	1		SA	AMC43	2203-006698	C-CER,CHIP;1000nF,10%,25V,X7R,1608	1		SA
AMC171	2203-000491	C-CER,CHIP;2.2nF,10%,50V,X7R,1608	1		SA	AMC44	2203-005249	C-CER,CHIP;100nF,10%,50V,X7R,TP,160	1		SA
AMC172	2203-000491	C-CER,CHIP;2.2nF,10%,50V,X7R,1608	1		SA	AMC45	2203-005249	C-CER,CHIP;100nF,10%,50V,X7R,TP,160	1		SA
AMC173	2203-000491	C-CER,CHIP;2.2nF,10%,50V,X7R,1608	1		SA	AMC46	2203-006698	C-CER,CHIP;1000nF,10%,25V,X7R,1608	1		SA
AMC174	2203-000491	C-CER,CHIP;2.2nF,10%,50V,X7R,1608	1		SA	AMC47	2203-006698	C-CER,CHIP;1000nF,10%,25V,X7R,1608	1		SA
AMC175	2203-000989	C-CER,CHIP;47nF,10%,50V,X7R,2012	1		SA	AMC49	2203-005249	C-CER,CHIP;100nF,10%,50V,X7R,TP,160	1		SA
AMC176	2203-000440	C-CER,CHIP;1nF,10%,50V,X7R,1608	1		SA	AMC5	2203-000531	C-CER,CHIP;2.7nF,10%,50V,X7R,1608	1		SA
AMC177	2203-005249	C-CER,CHIP;100nF,10%,50V,X7R,TP,160	1		SA	AMC50	2203-005249	C-CER,CHIP;100nF,10%,50V,X7R,TP,160	1		SA
AMC179	2203-005249	C-CER,CHIP;100nF,10%,50V,X7R,TP,160	1		SA	AMC51	2203-006698	C-CER,CHIP;1000nF,10%,25V,X7R,1608	1		SA
AMC18	2203-000140	C-CER,CHIP;1.5nF,10%,50V,X7R,1608	1		SA	AMC53	2203-005249	C-CER,CHIP;100nF,10%,50V,X7R,TP,160	1		SA
AMC180	2203-005249	C-CER,CHIP;100nF,10%,50V,X7R,TP,160	1		SA	AMC54	2203-006698	C-CER,CHIP;1000nF,10%,25V,X7R,1608	1		SA
AMC181	2203-005249	C-CER,CHIP;100nF,10%,50V,X7R,TP,160	1		SA	AMC55	2203-005249	C-CER,CHIP;100nF,10%,50V,X7R,TP,160	1		SA
AMC182	2203-005249	C-CER,CHIP;100nF,10%,50V,X7R,TP,160	1		SA	AMC56	2203-006698	C-CER,CHIP;1000nF,10%,25V,X7R,1608	1		SA
AMC183	2401-004447	C-AL;680uF,20%,50V,LZ,TP,12.5x25mm,	1		SA	AMC58	2203-005249	C-CER,CHIP;100nF,10%,50V,X7R,TP,160	1		SA
AMC184	2203-005249	C-CER,CHIP;100nF,10%,50V,X7R,TP,160	1		SA	AMC59	2203-006698	C-CER,CHIP;1000nF,10%,25V,X7R,1608	1		SA
AMC185	2203-005249	C-CER,CHIP;100nF,10%,50V,X7R,TP,160	1		SA	AMC6	2203-000140	C-CER,CHIP;1.5nF,10%,50V,X7R,1608	1		SA
AMC186	2203-005249	C-CER,CHIP;100nF,10%,50V,X7R,TP,160	1		SA	AMC60	2203-005249	C-CER,CHIP;100nF,10%,50V,X7R,TP,160	1		SA
AMC187	2402-000008	C-AL,SMD;47uF,20%,16V,GP,TP,6.6x6.6	1		SA	AMC61	2203-000257	C-CER,CHIP;10nF,10%,50V,X7R,TP,1608	1		SA
AMC188	2203-000975	C-CER,CHIP;47nF,10%,25V,X7R,TP,1608	1		SA	AMC62	2203-005565	C-CER,CHIP;1nF,5%,50V,NP0,TP,1608	1		SA
AMC189	2402-000120	C-AL,SMD;10UF,20%,50V,GP,TP,6.6X6.6	1		SA	AMC63	2203-005565	C-CER,CHIP;1nF,5%,50V,NP0,TP,1608	1		SA
AMC19	2203-001126	C-CER,CHIP;0.68nF,10%,50V,X7R,1608	1		SA	AMC64	2203-005886	C-CER,CHIP;0.15NF,5%,200V,C0G,TP,20	1		SA
AMC190	2402-000008	C-AL,SMD;47uF,20%,16V,GP,TP,6.6x6.6	1		SA	AMC65	2203-005565	C-CER,CHIP;1nF,5%,50V,NP0,TP,1608	1		SA
AMC191	2203-005249	C-CER,CHIP;100nF,10%,50V,X7R,TP,160	1		SA	AMC66	2203-006336	C-CER,CHIP;1000nF,10%,25V,X5R,3216	1		SA
AMC192	2203-001596	C-CER,CHIP;2200nF,+80-20%,50V,Y5V,2	1		SA	AMC67	2203-005886	C-CER,CHIP;0.15NF,5%,200V,C0G,TP,20	1		SA
AMC193	2402-000120	C-AL,SMD;10UF,20%,50V,GP,TP,6.6X6.6	1		SA	AMC68	2203-005565	C-CER,CHIP;1nF,5%,50V,NP0,TP,1608	1		SA
AMC194	2402-001042	C-AL,SMD;100uF,20%,16V,GP,TP,6.6x6.6	1		SA	AMC69	2203-000257	C-CER,CHIP;10nF,10%,50V,X7R,TP,1608	1		SA
AMC195	2203-005249	C-CER,CHIP;100nF,10%,50V,X7R,TP,160	1		SA	AMC7	2203-000531	C-CER,CHIP;2.7nF,10%,50V,X7R,1608	1		SA
AMC196	2402-000120	C-AL,SMD;10UF,20%,50V,GP,TP,6.6X6.6	1		SA	AMC70	2203-005565	C-CER,CHIP;1nF,5%,50V,NP0,TP,1608	1		SA
AMC2	2203-000531	C-CER,CHIP;2.7nF,10%,50V,X7R,1608	1		SA	AMC71	2203-005565	C-CER,CHIP;1nF,5%,50V,NP0,TP,1608	1		SA
AMC20	2203-001126	C-CER,CHIP;0.68nF,10%,50V,X7R,1608	1		SA	AMC72	2203-006336	C-CER,CHIP;1000nF,10%,25V,X5R,3216	1		SA
AMC21	2203-005249	C-CER,CHIP;100nF,10%,50V,X7R,TP,160	1		SA	AMC73	2203-005886	C-CER,CHIP;0.15NF,5%,200V,C0G,TP,20	1		SA
AMC210	2401-004447	C-AL;680uF,20%,50V,LZ,TP,12.5x25mm,	1		SA	AMC74	2203-000257	C-CER,CHIP;10nF,10%,50V,X7R,TP,1608	1		SA

Loc. No.	Part No.	Description;Specification	Q'ty	SNA	Remark	Loc. No.	Part No.	Description;Specification	Q'ty	SNA	Remark
AMC75	2203-005565	C-CER,CHIP;1nF,5%,50V,NP0,TP,1608	1		SA						
AMC76	2203-005565	C-CER,CHIP;1nF,5%,50V,NP0,TP,1608	1		SA	AMR100	2007-000084	R-CHIP;4.7Kohm,5%,1/10W,TP,1608	1		SA
AMC77	2203-005565	C-CER,CHIP;1nF,5%,50V,NP0,TP,1608	1		SA	AMR101	2007-000043	R-CHIP;1Kohm,1%,1/10W,TP,1608	1		SA
AMC78	2203-006336	C-CER,CHIP;1000nF,10%,25V,X5R,3216	1		SA	AMR102	2007-000090	R-CHIP;10Kohm,5%,1/10W,TP,1608	1		SA
AMC79	2203-005886	C-CER,CHIP;0.15NF,5%,200V,C0G,TP,20	1		SA	AMR103	2003-000674	R-METAL OXIDE(S);39ohm,5%,1W,AA,TP,	1		SA
AMC8	2203-000531	C-CER,CHIP;2.7nF,10%,50V,X7R,1608	1		SA	AMR104	2007-000084	R-CHIP;4.7Kohm,5%,1/10W,TP,1608	1		SA
AMC80	2203-000257	C-CER,CHIP;10nF,10%,50V,X7R,TP,1608	1		SA	AMR105	2007-000043	R-CHIP;1Kohm,1%,1/10W,TP,1608	1		SA
AMC81	2203-005565	C-CER,CHIP;1nF,5%,50V,NP0,TP,1608	1		SA	AMR106	2007-000090	R-CHIP;10Kohm,5%,1/10W,TP,1608	1		SA
AMC82	2203-005565	C-CER,CHIP;1nF,5%,50V,NP0,TP,1608	1		SA	AMR107	2007-007790	R-CHIP;20ohm,1%,1W,TP,6432	1		SA
AMC83	2203-005565	C-CER,CHIP;1nF,5%,50V,NP0,TP,1608	1		SA	AMR108	2007-000043	R-CHIP;1Kohm,1%,1/10W,TP,1608	1		SA
AMC84	2203-006336	C-CER,CHIP;1000nF,10%,25V,X5R,3216	1		SA	AMR109	2007-000084	R-CHIP;4.7Kohm,5%,1/10W,TP,1608	1		SA
AMC85	2203-000257	C-CER,CHIP;10nF,10%,50V,X7R,TP,1608	1		SA	AMR11	2007-000080	R-CHIP;2Kohm,5%,1/10W,TP,1608	1		SA
AMC86	2203-005565	C-CER,CHIP;1nF,5%,50V,NP0,TP,1608	1		SA	AMR110	2007-000090	R-CHIP;10Kohm,5%,1/10W,TP,1608	1		SA
AMC87	2203-005565	C-CER,CHIP;1nF,5%,50V,NP0,TP,1608	1		SA	AMR111	2007-000134	R-CHIP;33Kohm,5%,1/10W,TP,1608	1		SA
AMC88	2203-005886	C-CER,CHIP;0.15NF,5%,200V,C0G,TP,20	1		SA	AMR112	2007-000084	R-CHIP;4.7Kohm,5%,1/10W,TP,1608	1		SA
AMC89	2203-005565	C-CER,CHIP;1nF,5%,50V,NP0,TP,1608	1		SA	AMR113	2007-000043	R-CHIP;1Kohm,1%,1/10W,TP,1608	1		SA
AMC9	2203-000140	C-CER,CHIP;1.5nF,10%,50V,X7R,1608	1		SA	AMR114	2007-000090	R-CHIP;10Kohm,5%,1/10W,TP,1608	1		SA
AMC90	2203-006336	C-CER,CHIP;1000nF,10%,25V,X5R,3216	1		SA	AMR115	2007-000134	R-CHIP;33Kohm,5%,1/10W,TP,1608	1		SA
AMC91	2203-005886	C-CER,CHIP;0.15NF,5%,200V,C0G,TP,20	1		SA	AMR116	2007-000084	R-CHIP;4.7Kohm,5%,1/10W,TP,1608	1		SA
AMC92	2203-005565	C-CER,CHIP;1nF,5%,50V,NP0,TP,1608	1		SA	AMR117	2007-000043	R-CHIP;1Kohm,1%,1/10W,TP,1608	1		SA
AMC93	2203-000257	C-CER,CHIP;10nF,10%,50V,X7R,TP,1608	1		SA	AMR118	2007-000090	R-CHIP;10Kohm,5%,1/10W,TP,1608	1		SA
AMC94	2203-005565	C-CER,CHIP;1nF,5%,50V,NP0,TP,1608	1		SA	AMR119	2007-000134	R-CHIP;33Kohm,5%,1/10W,TP,1608	1		SA
AMC95	2203-005565	C-CER,CHIP;1nF,5%,50V,NP0,TP,1608	1		SA	AMR12	2007-000122	R-CHIP;1.2Kohm,5%,1/10W,TP,1608	1		SA
AMC96	2203-006336	C-CER,CHIP;1000nF,10%,25V,X5R,3216	1		SA	AMR120	2007-000084	R-CHIP;4.7Kohm,5%,1/10W,TP,1608	1		SA
AMC97	2203-006336	C-CER,CHIP;1000nF,10%,25V,X5R,3216	1		SA	AMR121	2007-000090	R-CHIP;10Kohm,5%,1/10W,TP,1608	1		SA
AMC98	2203-005249	C-CER,CHIP;100nF,10%,50V,X7R,TP,160	1		SA	AMR122	2007-000134	R-CHIP;33Kohm,5%,1/10W,TP,1608	1		SA
AMC99	2203-006698	C-CER,CHIP;1000nF,10%,25V,X7R,1608	1		SA	AMR123	2007-000312	R-CHIP;10ohm,5%,1/4W,TP,3216	1		SA
AMD1	0401-001099	DIODE-SWITCHING;1N4148WS,75V,150mA,	1		SA	AMR124	2007-000309	R-CHIP;10ohm,5%,1/10W,TP,1608	1		SA
AMD10	0402-001427	DIODE-RECTIFIER;ES1D,200V,1A,DO-214	1		SA	AMR125	2007-000309	R-CHIP;10ohm,5%,1/10W,TP,1608	1		SA
AMD11	0401-001166	DIODE-SWITCHING;BAV20WS-V,150V,250m	1		SA	AMR127	2007-000309	R-CHIP;10ohm,5%,1/10W,TP,1608	1		SA
AMD12	0402-001427	DIODE-RECTIFIER;ES1D,200V,1A,DO-214	1		SA	AMR128	2007-000090	R-CHIP;10Kohm,5%,1/10W,TP,1608	1		SA
AMD19	0401-001099	DIODE-SWITCHING;1N4148WS,75V,150mA,	1		SA	AMR129	2007-000134	R-CHIP;33Kohm,5%,1/10W,TP,1608	1		SA
AMD2	0401-001099	DIODE-SWITCHING;1N4148WS,75V,150mA,	1		SA	AMR13	2007-000078	R-CHIP;1Kohm,5%,1/10W,TP,1608	1		SA
AMD20	0401-001090	DIODE-SWITCHING;1SS355,80V,100MA,SO	1		SA	AMR130	2007-000312	R-CHIP;10ohm,5%,1/4W,TP,3216	1		SA
AMD21	0403-001483	DIODE-ZENER;UDZS18B,17.56-18.35V,20	1		SA	AMR131	2007-000309	R-CHIP;10ohm,5%,1/10W,TP,1608	1		SA
AMD22	0403-001398	DIODE-ZENER;UDZ2.4B,2.43-2.63V,200M	1		SA	AMR133	2007-000309	R-CHIP;10ohm,5%,1/10W,TP,1608	1		SA
AMD3	0401-001099	DIODE-SWITCHING;1N4148WS,75V,150mA,	1		SA	AMR134	2007-000309	R-CHIP;10ohm,5%,1/10W,TP,1608	1		SA
AMD4	0401-001099	DIODE-SWITCHING;1N4148WS,75V,150mA,	1		SA	AMR135	2007-000090	R-CHIP;10Kohm,5%,1/10W,TP,1608	1		SA
AMD5	0401-001099	DIODE-SWITCHING;1N4148WS,75V,150mA,	1		SA	AMR136	2007-000134	R-CHIP;33Kohm,5%,1/10W,TP,1608	1		SA
AMD6	0401-001099	DIODE-SWITCHING;1N4148WS,75V,150mA,	1		SA	AMR137	2007-000309	R-CHIP;10ohm,5%,1/10W,TP,1608	1		SA
AMD7	0401-001166	DIODE-SWITCHING;BAV20WS-V,150V,250m	1		SA	AMR139	2007-000312	R-CHIP;10ohm,5%,1/4W,TP,3216	1		SA
AMD8	0402-001427	DIODE-RECTIFIER;ES1D,200V,1A,DO-214	1		SA	AMR14	2007-000122	R-CHIP;1.2Kohm,5%,1/10W,TP,1608	1		SA
AMD9	0401-001166	DIODE-SWITCHING;BAV20WS-V,150V,250m	1		SA	AMR140	2007-000309	R-CHIP;10ohm,5%,1/10W,TP,1608	1		SA
AMPD1	0402-000309	DIODE-RECTIFIER;1SR154-400,400V,1A,	1		SA	AMR141	2007-000309	R-CHIP;10ohm,5%,1/10W,TP,1608	1		SA
AMPD2	0402-000309	DIODE-RECTIFIER;1SR154-400,400V,1A,	1		SA	AMR142	2007-000090	R-CHIP;10Kohm,5%,1/10W,TP,1608	1		SA
AMPD3	0401-001166	DIODE-SWITCHING;BAV20WS-V,150V,250m	1		SA	AMR143	2007-000134	R-CHIP;33Kohm,5%,1/10W,TP,1608	1		SA
AMPR1	2007-000072	R-CHIP;47ohm,5%,1/10W,TP,1608	1		SA	AMR144	2007-000309	R-CHIP;10ohm,5%,1/10W,TP,1608	1		SA
AMPR10	2007-000072	R-CHIP;47ohm,5%,1/10W,TP,1608	1		SA	AMR145	2007-000312	R-CHIP;10ohm,5%,1/4W,TP,3216	1		SA
AMPR11	2007-000072	R-CHIP;47ohm,5%,1/10W,TP,1608	1		SA	AMR146	2007-000309	R-CHIP;10ohm,5%,1/10W,TP,1608	1		SA
AMPR12	2007-000072	R-CHIP;47ohm,5%,1/10W,TP,1608	1		SA	AMR148	2007-000309	R-CHIP;10ohm,5%,1/10W,TP,1608	1		SA
AMPR2	2007-000072	R-CHIP;47ohm,5%,1/10W,TP,1608	1		SA	AMR149	2007-000090	R-CHIP;10Kohm,5%,1/10W,TP,1608	1		SA
AMPR3	2007-000072	R-CHIP;47ohm,5%,1/10W,TP,1608	1		SA	AMR15	2007-000078	R-CHIP;1Kohm,5%,1/10W,TP,1608	1		SA
AMPR4	2007-000072	R-CHIP;47ohm,5%,1/10W,TP,1608	1		SA	AMR150	2007-000134	R-CHIP;33Kohm,5%,1/10W,TP,1608	1		SA
AMPR5	2007-000072	R-CHIP;47ohm,5%,1/10W,TP,1608	1		SA	AMR151	2007-000312	R-CHIP;10ohm,5%,1/4W,TP,3216	1		SA
AMPR6	2007-000072	R-CHIP;47ohm,5%,1/10W,TP,1608	1		SA	AMR152	2007-000309	R-CHIP;10ohm,5%,1/10W,TP,1608	1		SA
AMPR7	2007-000072	R-CHIP;47ohm,5%,1/10W,TP,1608	1		SA	AMR153	2007-000309	R-CHIP;10ohm,5%,1/10W,TP,1608	1		SA
AMPR8	2007-000072	R-CHIP;47ohm,5%,1/10W,TP,1608	1		SA	AMR155	2007-000309	R-CHIP;10ohm,5%,1/10W,TP,1608	1		SA
AMR1	2007-000122	R-CHIP;1.2Kohm,5%,1/10W,TP,1608	1		SA	AMR156	2007-000090	R-CHIP;10Kohm,5%,1/10W,TP,1608	1		SA
AMR10	2007-000078	R-CHIP;1Kohm,5%,1/10W,TP,1608	1		SA	AMR157	2007-000134	R-CHIP;33Kohm,5%,1/10W,TP,1608	1		SA

Exploded View & Part List

Loc. No.	Part No.	Description;Specification	Q'ty	SNA	Remark	Loc. No.	Part No.	Description;Specification	Q'ty	SNA	Remark
AMR158	2007-000312	R-CHIP;10ohm,5%,1/4W,TP,3216	1		SA	AMR210	2007-000090	R-CHIP;10Kohm,5%,1/10W,TP,1608	1		SA
AMR159	2007-000309	R-CHIP;10ohm,5%,1/10W,TP,1608	1		SA	AMR211	2007-000090	R-CHIP;10Kohm,5%,1/10W,TP,1608	1		SA
AMR16	2007-000080	R-CHIP;2Kohm,5%,1/10W,TP,1608	1		SA	AMR212	2007-000082	R-CHIP;3.3Kohm,5%,1/10W,TP,1608	1		SA
AMR160	2007-000309	R-CHIP;10ohm,5%,1/10W,TP,1608	1		SA	AMR213	2007-000102	R-CHIP;100Kohm,5%,1/10W,TP,1608	1		SA
AMR162	2007-000309	R-CHIP;10ohm,5%,1/10W,TP,1608	1		SA	AMR214	2007-000097	R-CHIP;47Kohm,5%,1/10W,TP,1608	1		SA
AMR163	2007-002425	R-CHIP;1ohm,5%,1/10W,TP,1608	1		SA	AMR215	2007-000094	R-CHIP;22Kohm,5%,1/10W,TP,1608	1		SA
AMR164	2007-002425	R-CHIP;1ohm,5%,1/10W,TP,1608	1		SA	AMR216	2007-000097	R-CHIP;47Kohm,5%,1/10W,TP,1608	1		SA
AMR165	2007-002425	R-CHIP;1ohm,5%,1/10W,TP,1608	1		SA	AMR217	2007-007790	R-CHIP;20ohm,1%,1W,TP,6432	1		SA
AMR166	2007-002425	R-CHIP;1ohm,5%,1/10W,TP,1608	1		SA	AMR218	2007-007790	R-CHIP;20ohm,1%,1W,TP,6432	1		SA
AMR167	2007-002425	R-CHIP;1ohm,5%,1/10W,TP,1608	1		SA	AMR219	2007-007790	R-CHIP;20ohm,1%,1W,TP,6432	1		SA
AMR168	2007-002425	R-CHIP;1ohm,5%,1/10W,TP,1608	1		SA	AMR22	2007-000080	R-CHIP;2Kohm,5%,1/10W,TP,1608	1		SA
AMR169	2007-002425	R-CHIP;1ohm,5%,1/10W,TP,1608	1		SA	AMR220	2007-000033	R-CHIP;0ohm,5%,1/4W,TP,3216	1		SA
AMR17	2007-000120	R-CHIP;680ohm,5%,1/10W,TP,1608	1		SA	AMR221	2007-002899	R-CHIP;10ohm,1%,1/10W,TP,1608	1		SA
AMR170	2007-002425	R-CHIP;1ohm,5%,1/10W,TP,1608	1		SA	AMR222	2007-000033	R-CHIP;0ohm,5%,1/4W,TP,3216	1		SA
AMR171	2007-002425	R-CHIP;1ohm,5%,1/10W,TP,1608	1		SA	AMR223	2007-000033	R-CHIP;0ohm,5%,1/4W,TP,3216	1		SA
AMR172	2007-002425	R-CHIP;1ohm,5%,1/10W,TP,1608	1		SA	AMR224	2007-000097	R-CHIP;47Kohm,5%,1/10W,TP,1608	1		SA
AMR173	2007-002425	R-CHIP;1ohm,5%,1/10W,TP,1608	1		SA	AMR225	2007-000090	R-CHIP;10Kohm,5%,1/10W,TP,1608	1		SA
AMR174	2007-002425	R-CHIP;1ohm,5%,1/10W,TP,1608	1		SA	AMR226	2007-000102	R-CHIP;100Kohm,5%,1/10W,TP,1608	1		SA
AMR175	2007-007065	R-CHIP;10ohm,5%,1W,TP,6432	1		SA	AMR227	2007-000097	R-CHIP;47Kohm,5%,1/10W,TP,1608	1		SA
AMR176	2007-000496	R-CHIP;2.2Kohm,5%,1/4W,TP,3216	1		SA	AMR228	2007-000097	R-CHIP;47Kohm,5%,1/10W,TP,1608	1		SA
AMR177	2007-007065	R-CHIP;10ohm,5%,1W,TP,6432	1		SA	AMR229	2007-000087	R-CHIP;6.8Kohm,5%,1/10W,TP,1608	1		SA
AMR178	2007-000496	R-CHIP;2.2Kohm,5%,1/4W,TP,3216	1		SA	AMR23	2007-000120	R-CHIP;680ohm,5%,1/10W,TP,1608	1		SA
AMR179	2007-007065	R-CHIP;10ohm,5%,1W,TP,6432	1		SA	AMR230	2007-000091	R-CHIP;12Kohm,5%,1/10W,TP,1608	1		SA
AMR18	2007-000122	R-CHIP;1.2Kohm,5%,1/10W,TP,1608	1		SA	AMR231	2007-000087	R-CHIP;6.8Kohm,5%,1/10W,TP,1608	1		SA
AMR180	2007-000496	R-CHIP;2.2Kohm,5%,1/4W,TP,3216	1		SA	AMR232	2007-000087	R-CHIP;6.8Kohm,5%,1/10W,TP,1608	1		SA
AMR181	2007-007065	R-CHIP;10ohm,5%,1W,TP,6432	1		SA	AMR233	2007-000079	R-CHIP;1.8Kohm,5%,1/10W,TP,1608	1		SA
AMR182	2007-000496	R-CHIP;2.2Kohm,5%,1/4W,TP,3216	1		SA	AMR234	2007-000458	R-CHIP;18Kohm,5%,1/10W,TP,1608	1		SA
AMR183	2007-007065	R-CHIP;10ohm,5%,1W,TP,6432	1		SA	AMR235	2007-000078	R-CHIP;1Kohm,5%,1/10W,TP,1608	1		SA
AMR184	2007-000496	R-CHIP;2.2Kohm,5%,1/4W,TP,3216	1		SA	AMR236	2007-000100	R-CHIP;68Kohm,5%,1/10W,TP,1608	1		SA
AMR185	2007-007065	R-CHIP;10ohm,5%,1W,TP,6432	1		SA	AMR237	2007-000033	R-CHIP;0ohm,5%,1/4W,TP,3216	1		SA
AMR186	2007-000496	R-CHIP;2.2Kohm,5%,1/4W,TP,3216	1		SA	AMR238	2007-000033	R-CHIP;0ohm,5%,1/4W,TP,3216	1		SA
AMR187	2007-000039	R-CHIP;0ohm,5%,1/10W,TP,1608	1		SA	AMR239	2007-000033	R-CHIP;0ohm,5%,1/4W,TP,3216	1		SA
AMR188	2007-000039	R-CHIP;0ohm,5%,1/10W,TP,1608	1		SA	AMR24	2007-000122	R-CHIP;1.2Kohm,5%,1/10W,TP,1608	1		SA
AMR189	2007-000082	R-CHIP;3.3Kohm,5%,1/10W,TP,1608	1		SA	AMR240	2007-000033	R-CHIP;0ohm,5%,1/4W,TP,3216	1		SA
AMR19	2007-000122	R-CHIP;1.2Kohm,5%,1/10W,TP,1608	1		SA	AMR241	2007-000033	R-CHIP;0ohm,5%,1/4W,TP,3216	1		SA
AMR190	2007-000303	R-CHIP;10Kohm,5%,1/4W,TP,3216	1		SA	AMR242	2007-000033	R-CHIP;0ohm,5%,1/4W,TP,3216	1		SA
AMR191	2007-000097	R-CHIP;47Kohm,5%,1/10W,TP,1608	1		SA	AMR243	2007-000100	R-CHIP;68Kohm,5%,1/10W,TP,1608	1		SA
AMR192	2007-000285	R-CHIP;100Kohm,5%,1/4W,TP,3216	1		SA	AMR244	2007-000100	R-CHIP;68Kohm,5%,1/10W,TP,1608	1		SA
AMR193	2007-000090	R-CHIP;10Kohm,5%,1/10W,TP,1608	1		SA	AMR245	2007-000100	R-CHIP;68Kohm,5%,1/10W,TP,1608	1		SA
AMR194	2007-000253	R-CHIP;1.5ohm,5%,1/4W,TP,3216	1		SA	AMR246	2007-000100	R-CHIP;68Kohm,5%,1/10W,TP,1608	1		SA
AMR195	2007-000253	R-CHIP;1.5ohm,5%,1/4W,TP,3216	1		SA	AMR247	2007-000100	R-CHIP;68Kohm,5%,1/10W,TP,1608	1		SA
AMR196	2007-000134	R-CHIP;33Kohm,5%,1/10W,TP,1608	1		SA	AMR248	2007-000312	R-CHIP;10ohm,5%,1/4W,TP,3216	1		SA
AMR197	2007-000033	R-CHIP;0ohm,5%,1/4W,TP,3216	1		SA	AMR249	2007-000312	R-CHIP;10ohm,5%,1/4W,TP,3216	1		SA
AMR198	2007-000097	R-CHIP;47Kohm,5%,1/10W,TP,1608	1		SA	AMR25	2007-000122	R-CHIP;1.2Kohm,5%,1/10W,TP,1608	1		SA
AMR199	2007-000464	R-CHIP;18ohm,5%,1/4W,TP,3216	1		SA	AMR250	2007-000312	R-CHIP;10ohm,5%,1/4W,TP,3216	1		SA
AMR2	2007-000078	R-CHIP;1Kohm,5%,1/10W,TP,1608	1		SA	AMR251	2007-000312	R-CHIP;10ohm,5%,1/4W,TP,3216	1		SA
AMR20	2007-000078	R-CHIP;1Kohm,5%,1/10W,TP,1608	1		SA	AMR252	2007-000312	R-CHIP;10ohm,5%,1/4W,TP,3216	1		SA
AMR200	1404-001483	THERMISTOR-PTC;470ohm,50%,32V,TP	1		SA	AMR253	2007-000312	R-CHIP;10ohm,5%,1/4W,TP,3216	1		SA
AMR201	2007-000285	R-CHIP;100Kohm,5%,1/4W,TP,3216	1		SA	AMR254	2007-000120	R-CHIP;680ohm,5%,1/10W,TP,1608	1		SA
AMR202	2007-000134	R-CHIP;33Kohm,5%,1/10W,TP,1608	1		SA	AMR255	2007-002899	R-CHIP;10ohm,1%,1/10W,TP,1608	1		SA
AMR203	2007-000097	R-CHIP;47Kohm,5%,1/10W,TP,1608	1		SA	AMR256	2007-000120	R-CHIP;680ohm,5%,1/10W,TP,1608	1		SA
AMR204	2007-000097	R-CHIP;47Kohm,5%,1/10W,TP,1608	1		SA	AMR257	2007-002899	R-CHIP;10ohm,1%,1/10W,TP,1608	1		SA
AMR205	2007-001300	R-CHIP;56ohm,5%,1/2W,TP,5025	1		SA	AMR258	2007-000080	R-CHIP;2Kohm,5%,1/10W,TP,1608	1		SA
AMR206	2007-007750	R-CHIP;39ohm,1%,1W,TP,6432	1		SA	AMR259	2007-000080	R-CHIP;2Kohm,5%,1/10W,TP,1608	1		SA
AMR207	2007-000084	R-CHIP;4.7Kohm,5%,1/10W,TP,1608	1		SA	AMR26	2007-000078	R-CHIP;1Kohm,5%,1/10W,TP,1608	1		SA
AMR208	2007-000097	R-CHIP;47Kohm,5%,1/10W,TP,1608	1		SA	AMR260	2007-002899	R-CHIP;10ohm,1%,1/10W,TP,1608	1		SA
AMR209	2007-000078	R-CHIP;1Kohm,5%,1/10W,TP,1608	1		SA	AMR261	2007-002899	R-CHIP;10ohm,1%,1/10W,TP,1608	1		SA
AMR21	2007-000078	R-CHIP;1Kohm,5%,1/10W,TP,1608	1		SA	AMR262	2007-000120	R-CHIP;680ohm,5%,1/10W,TP,1608	1		SA
						AMR263	2007-000080	R-CHIP;2Kohm,5%,1/10W,TP,1608	1		SA

Loc. No.	Part No.	Description;Specification	Q'ty	SNA	Remark	Loc. No.	Part No.	Description;Specification	Q'ty	SNA	Remark
AMR264	2007-000080	R-CHIP;2Kohm,5%,1/10W,TP,1608	1	SA		AMR69	2007-000265	R-CHIP;1.8Kohm,1%,1/10W,TP,1608	1	SA	
AMR265	2007-000134	R-CHIP;33Kohm,5%,1/10W,TP,1608	1	SA		AMR7	2007-000080	R-CHIP;2Kohm,5%,1/10W,TP,1608	1	SA	
AMR27	2007-000078	R-CHIP;1Kohm,5%,1/10W,TP,1608	1	SA		AMR70	2007-000075	R-CHIP;220ohm,5%,1/10W,TP,1608	1	SA	
AMR28	2007-000120	R-CHIP;680ohm,5%,1/10W,TP,1608	1	SA		AMR71	2007-001179	R-CHIP;8.2Kohm,5%,1/10W,TP,1608	1	SA	
AMR29	2007-000122	R-CHIP;1.2Kohm,5%,1/10W,TP,1608	1	SA		AMR72	2007-000122	R-CHIP;1.2Kohm,5%,1/10W,TP,1608	1	SA	
AMR3	2007-000122	R-CHIP;1.2Kohm,5%,1/10W,TP,1608	1	SA		AMR73	2007-000039	R-CHIP;0ohm,5%,1/10W,TP,1608	1	SA	
AMR30	2007-000078	R-CHIP;1Kohm,5%,1/10W,TP,1608	1	SA		AMR74	2007-000939	R-CHIP;47Kohm,1%,1/10W,TP,1608	1	SA	
AMR300	2007-000086	R-CHIP;5.6Kohm,5%,1/10W,TP,1608	1	SA		AMR75	2007-000265	R-CHIP;1.8Kohm,1%,1/10W,TP,1608	1	SA	
AMR301	2007-000097	R-CHIP;47Kohm,5%,1/10W,TP,1608	1	SA		AMR76	2007-000075	R-CHIP;220ohm,5%,1/10W,TP,1608	1	SA	
AMR31	2007-000080	R-CHIP;2Kohm,5%,1/10W,TP,1608	1	SA		AMR77	2007-000939	R-CHIP;47Kohm,1%,1/10W,TP,1608	1	SA	
AMR310	2007-000134	R-CHIP;33Kohm,5%,1/10W,TP,1608	1	SA		AMR78	2007-001179	R-CHIP;8.2Kohm,5%,1/10W,TP,1608	1	SA	
AMR311	2007-000134	R-CHIP;33Kohm,5%,1/10W,TP,1608	1	SA		AMR79	2007-000124	R-CHIP;2.2Kohm,5%,1/10W,TP,1608	1	SA	
AMR312	2007-000134	R-CHIP;33Kohm,5%,1/10W,TP,1608	1	SA		AMR8	2007-000120	R-CHIP;680ohm,5%,1/10W,TP,1608	1	SA	
AMR313	2007-000134	R-CHIP;33Kohm,5%,1/10W,TP,1608	1	SA		AMR80	2007-000039	R-CHIP;0ohm,5%,1/10W,TP,1608	1	SA	
AMR314	2007-000134	R-CHIP;33Kohm,5%,1/10W,TP,1608	1	SA		AMR81	2007-000265	R-CHIP;1.8Kohm,1%,1/10W,TP,1608	1	SA	
AMR315	2007-000134	R-CHIP;33Kohm,5%,1/10W,TP,1608	1	SA		AMR83	2007-001179	R-CHIP;8.2Kohm,5%,1/10W,TP,1608	1	SA	
AMR316	2007-000097	R-CHIP;47Kohm,5%,1/10W,TP,1608	1	SA		AMR84	2007-000122	R-CHIP;1.2Kohm,5%,1/10W,TP,1608	1	SA	
AMR317	2007-000084	R-CHIP;4.7Kohm,5%,1/10W,TP,1608	1	SA		AMR85	2007-000039	R-CHIP;0ohm,5%,1/10W,TP,1608	1	SA	
AMR32	2007-000080	R-CHIP;2Kohm,5%,1/10W,TP,1608	1	SA		AMR86	2007-000939	R-CHIP;47Kohm,1%,1/10W,TP,1608	1	SA	
AMR33	2007-000120	R-CHIP;680ohm,5%,1/10W,TP,1608	1	SA		AMR87	2007-000265	R-CHIP;1.8Kohm,1%,1/10W,TP,1608	1	SA	
AMR34	2007-000122	R-CHIP;1.2Kohm,5%,1/10W,TP,1608	1	SA		AMR89	2007-001179	R-CHIP;8.2Kohm,5%,1/10W,TP,1608	1	SA	
AMR35	2007-000078	R-CHIP;1Kohm,5%,1/10W,TP,1608	1	SA		AMR9	2007-000122	R-CHIP;1.2Kohm,5%,1/10W,TP,1608	1	SA	
AMR36	2007-000120	R-CHIP;680ohm,5%,1/10W,TP,1608	1	SA		AMR90	2007-000122	R-CHIP;1.2Kohm,5%,1/10W,TP,1608	1	SA	
AMR37	2007-000080	R-CHIP;2Kohm,5%,1/10W,TP,1608	1	SA		AMR91	2007-000039	R-CHIP;0ohm,5%,1/10W,TP,1608	1	SA	
AMR38	2007-000120	R-CHIP;680ohm,5%,1/10W,TP,1608	1	SA		AMR92	2007-000939	R-CHIP;47Kohm,1%,1/10W,TP,1608	1	SA	
AMR39	2007-002899	R-CHIP;10ohm,1%,1/10W,TP,1608	1	SA		AMR93	2007-000265	R-CHIP;1.8Kohm,1%,1/10W,TP,1608	1	SA	
AMR4	2007-000122	R-CHIP;1.2Kohm,5%,1/10W,TP,1608	1	SA		AMR95	2007-001179	R-CHIP;8.2Kohm,5%,1/10W,TP,1608	1	SA	
AMR40	2007-000120	R-CHIP;680ohm,5%,1/10W,TP,1608	1	SA		AMR96	2007-000122	R-CHIP;1.2Kohm,5%,1/10W,TP,1608	1	SA	
AMR41	2007-000080	R-CHIP;2Kohm,5%,1/10W,TP,1608	1	SA		AMR97	2007-000043	R-CHIP;1Kohm,1%,1/10W,TP,1608	1	SA	
AMR42	2007-000120	R-CHIP;680ohm,5%,1/10W,TP,1608	1	SA		AMR98	2007-000090	R-CHIP;10Kohm,5%,1/10W,TP,1608	1	SA	
AMR43	2007-000882	R-CHIP;4.7ohm,5%,1/10W,TP,1608	1	SA		AMR99	2003-000587	R-METAL OXIDE(S);22ohm,5%,1W,AA,TP,	1	SA	
AMR44	2007-000683	R-CHIP;3.3Kohm,1%,1/10W,TP,1608	1	SA		AQ1	0501-000150	TR-SMALL SIGNAL;2SA1037,PNP,200mW,S	1	SA	
AMR45	2007-000882	R-CHIP;4.7ohm,5%,1/10W,TP,1608	1	SA		AQ10	0501-000479	TR-SMALL SIGNAL;KST42,NPN,350mW,SOT	1	SA	
AMR46	2007-000882	R-CHIP;4.7ohm,5%,1/10W,TP,1608	1	SA		AQ11	0504-000128	TR-DIGITAL;-NPN,200MW,22K/22K,SOT-	1	SA	
AMR47	2007-000683	R-CHIP;3.3Kohm,1%,1/10W,TP,1608	1	SA		AQ12	0504-000128	TR-DIGITAL;-NPN,200MW,22K/22K,SOT-	1	SA	
AMR48	2007-000882	R-CHIP;4.7ohm,5%,1/10W,TP,1608	1	SA		AQ13	0501-000457	TR-SMALL SIGNAL;MMBT2222A/KST2222A,	1	SA	
AMR49	2007-000683	R-CHIP;3.3Kohm,1%,1/10W,TP,1608	1	SA		AQ14	0504-000156	TR-DIGITAL;KSR2103,PNP,200MW,22K/22	1	SA	
AMR5	2007-000078	R-CHIP;1Kohm,5%,1/10W,TP,1608	1	SA		AQ15	0502-001176	TR-POWER;KTC2026,NPN,2000mW,TO-220I	1	SA	
AMR50	2007-000882	R-CHIP;4.7ohm,5%,1/10W,TP,1608	1	SA		AQ16	0504-000128	TR-DIGITAL;-NPN,200MW,22K/22K,SOT-	1	SA	
AMR51	2007-000882	R-CHIP;4.7ohm,5%,1/10W,TP,1608	1	SA		AQ17	0501-000150	TR-SMALL SIGNAL;2SA1037,PNP,200mW,S	1	SA	
AMR52	2007-000882	R-CHIP;4.7ohm,5%,1/10W,TP,1608	1	SA		AQ2	0501-000279	TR-SMALL SIGNAL;KSA1182-Y,PNP;150mW	1	SA	
AMR53	2007-000882	R-CHIP;4.7ohm,5%,1/10W,TP,1608	1	SA		AQ3	0501-000279	TR-SMALL SIGNAL;KSA1182-Y,PNP;150mW	1	SA	
AMR54	2007-000683	R-CHIP;3.3Kohm,1%,1/10W,TP,1608	1	SA		AQ4	0504-000128	TR-DIGITAL;-NPN,200MW,22K/22K,SOT-	1	SA	
AMR55	2007-000882	R-CHIP;4.7ohm,5%,1/10W,TP,1608	1	SA		AQ5	0501-000150	TR-SMALL SIGNAL;2SA1037,PNP,200mW,S	1	SA	
AMR56	2007-000683	R-CHIP;3.3Kohm,1%,1/10W,TP,1608	1	SA		AQ6	0501-000150	TR-SMALL SIGNAL;2SA1037,PNP,200mW,S	1	SA	
AMR57	2007-000882	R-CHIP;4.7ohm,5%,1/10W,TP,1608	1	SA		AQ7	0501-000347	TR-SMALL SIGNAL;KSC1623-L,NPN,200mW	1	SA	
AMR58	2007-000882	R-CHIP;4.7ohm,5%,1/10W,TP,1608	1	SA		AQ8	0501-000457	TR-SMALL SIGNAL;MMBT2222A/KST2222A,	1	SA	
AMR59	2007-000683	R-CHIP;3.3Kohm,1%,1/10W,TP,1608	1	SA		AQ9	0501-000479	TR-SMALL SIGNAL;KST42,NPN,350mW,SOT	1	SA	
AMR6	2007-000078	R-CHIP;1Kohm,5%,1/10W,TP,1608	1	SA		ASSY	AH94-02237D	ASSY-NOR FLASH;HT-Z320,MX25L1605A,M	1	SNA	
AMR60	2007-000882	R-CHIP;4.7ohm,5%,1/10W,TP,1608	1	SA		AUXC1	2203-000236	C-CER,CHIP;0.1nF,5%,50V,COG,1608	1	SA	
AMR61	2007-000039	R-CHIP;0ohm,5%,1/10W,TP,1608	1	SA		AUXC2	2203-000236	C-CER,CHIP;0.1nF,5%,50V,COG,1608	1	SA	
AMR62	2007-000939	R-CHIP;47Kohm,1%,1/10W,TP,1608	1	SA		AUXD1	0406-001128	DIODE-TVS;MLVS-0603-E08,50V	1	SA	
AMR63	2007-000265	R-CHIP;1.8Kohm,1%,1/10W,TP,1608	1	SA		AUXD2	0406-001128	DIODE-TVS;MLVS-0603-E08,50V	1	SA	
AMR64	2007-000075	R-CHIP;220ohm,5%,1/10W,TP,1608	1	SA		AUXD3	0406-001128	DIODE-TVS;MLVS-0603-E08,50V	1	SA	
AMR65	2007-001179	R-CHIP;8.2Kohm,5%,1/10W,TP,1608	1	SA		AUXD4	0406-001128	DIODE-TVS;MLVS-0603-E08,50V	1	SA	
AMR66	2007-000122	R-CHIP;1.2Kohm,5%,1/10W,TP,1608	1	SA		AUXD5	0406-001128	DIODE-TVS;MLVS-0603-E08,50V	1	SA	
AMR67	2007-000039	R-CHIP;0ohm,5%,1/10W,TP,1608	1	SA		AUXD6	0406-001128	DIODE-TVS;MLVS-0603-E08,50V	1	SA	
AMR68	2007-000939	R-CHIP;47Kohm,1%,1/10W,TP,1608	1	SA		AUXR1	2007-000106	R-CHIP;220Kohm,5%,1/10W,TP,1608	1	SA	

Exploded View & Part List

Loc. No.	Part No.	Description;Specification	Q'ty	SNA	Remark	Loc. No.	Part No.	Description;Specification	Q'ty	SNA	Remark
AUXR2	2007-000106	R-CHIP;220Kohm,5%,1/10W,TP,1608	1		SA	DSPL3	3301-001495	BEAD-SMD;120ohm,2012,2500mA,TP,115o	1		SA
AUXR3	2007-000076	R-CHIP;330ohm,5%,1/10W,TP,1608	1		SA	DSPL4	3301-001495	BEAD-SMD;120ohm,2012,2500mA,TP,115o	1		SA
AUXR4	2007-000076	R-CHIP;330ohm,5%,1/10W,TP,1608	1		SA	DSPR1	2007-000113	R-CHIP;33ohm,5%,1/10W,TP,1608	1		SA
AVC01	2203-006361	C-CER,CHIP;1000nF,10%,10V,X5R,TP,2	1		SA	DSPR10	2007-000962	R-CHIP;5.1Kohm,1%,1/10W,TP,1608	1		SA
AVC02	2203-005148	C-CER,CHIP;100nF,10%,16V,X7R,TP,160	1		SA	DSPR11	2007-000113	R-CHIP;33ohm,5%,1/10W,TP,1608	1		SA
AVC03	2203-005819	C-CER,CHIP;1000nF,+80-20%,16V,Y5V,T	1		SA	DSPR12	2007-000475	R-CHIP;1Mohm,1%,1/10W,TP,1608	1		SA
AVC04	2203-006361	C-CER,CHIP;1000nF,10%,10V,X5R,TP,2	1		SA	DSPR13	2007-000113	R-CHIP;33ohm,5%,1/10W,TP,1608	1		SA
AVC05	2203-005819	C-CER,CHIP;1000nF,+80-20%,16V,Y5V,T	1		SA	DSPR14	2007-000113	R-CHIP;33ohm,5%,1/10W,TP,1608	1		SA
AVC06	2203-005819	C-CER,CHIP;1000nF,+80-20%,16V,Y5V,T	1		SA	DSPR15	2007-000082	R-CHIP;3.3Kohm,5%,1/10W,TP,1608	1		SA
AVC07	2203-005819	C-CER,CHIP;1000nF,+80-20%,16V,Y5V,T	1		SA	DSPR16	2007-000082	R-CHIP;3.3Kohm,5%,1/10W,TP,1608	1		SA
AVC08	2203-005148	C-CER,CHIP;100nF,10%,16V,X7R,TP,160	1		SA	DSPR17	2007-000113	R-CHIP;33ohm,5%,1/10W,TP,1608	1		SA
AVC09	2203-005148	C-CER,CHIP;100nF,10%,16V,X7R,TP,160	1		SA	DSPR18	2007-000113	R-CHIP;33ohm,5%,1/10W,TP,1608	1		SA
AVC10	2402-001096	C-AL,SMD;220UF,20%,16V,GP,TP,6.6x6.	1		SA	DSPR19	2007-000113	R-CHIP;33ohm,5%,1/10W,TP,1608	1		SA
AVC11	2402-001042	C-AL,SMD;100uF,20%,16V,GP,TP,6.6x6.	1		SA	DSPR2	2007-000113	R-CHIP;33ohm,5%,1/10W,TP,1608	1		SA
AVC12	2402-001042	C-AL,SMD;100uF,20%,16V,GP,TP,6.6x6.	1		SA	DSPR20	2007-000113	R-CHIP;33ohm,5%,1/10W,TP,1608	1		SA
AVC13	2402-001042	C-AL,SMD;100uF,20%,16V,GP,TP,6.6x6.	1		SA	DSPR21	2007-000113	R-CHIP;33ohm,5%,1/10W,TP,1608	1		SA
AVC14	2203-000280	C-CER,CHIP;0.01nF,0.5pF,50V,C0G,160	1		SA	DSPR22	2007-000113	R-CHIP;33ohm,5%,1/10W,TP,1608	1		SA
AVC15	2203-000280	C-CER,CHIP;0.01nF,0.5pF,50V,C0G,160	1		SA	DSPR23	2007-000113	R-CHIP;33ohm,5%,1/10W,TP,1608	1		SA
AVC16	2203-000280	C-CER,CHIP;0.01nF,0.5pF,50V,C0G,160	1		SA	DSPR24	2011-001261	R-NETWORK;33ohm,5%,1/16W,L,CHIP,8P,	1		SA
AVC17	2203-000280	C-CER,CHIP;0.01nF,0.5pF,50V,C0G,160	1		SA	DSPR25	2007-000090	R-CHIP;10Kohm,5%,1/10W,TP,1608	1		SA
AVJACK1	3722-002574	JACK-PIN;6P,TIN,RD/BU/GN/RD/WT/YL,S	1		SA	DSPR26	2007-000084	R-CHIP;4.7Kohm,5%,1/10W,TP,1608	1		SA
AVR01	2007-001167	R-CHIP;75ohm,5%,1/10W,TP,1608	1		SA	DSPR27	2007-000082	R-CHIP;3.3Kohm,5%,1/10W,TP,1608	1		SA
AVR02	2007-001167	R-CHIP;75ohm,5%,1/10W,TP,1608	1		SA	DSPR28	2007-000090	R-CHIP;10Kohm,5%,1/10W,TP,1608	1		SA
AVR03	2007-001167	R-CHIP;75ohm,5%,1/10W,TP,1608	1		SA	DSPR3	2007-000113	R-CHIP;33ohm,5%,1/10W,TP,1608	1		SA
AVR04	2007-001167	R-CHIP;75ohm,5%,1/10W,TP,1608	1		SA	DSPR4	2007-000113	R-CHIP;33ohm,5%,1/10W,TP,1608	1		SA
AVR05	2007-001167	R-CHIP;75ohm,5%,1/10W,TP,1608	1		SA	DSPR5	2007-000082	R-CHIP;3.3Kohm,5%,1/10W,TP,1608	1		SA
AVR06	2007-001167	R-CHIP;75ohm,5%,1/10W,TP,1608	1		SA	DSPR6	2011-001345	R-NETWORK;10Kohm,5%,1/16W,L,CHIP,8P	1		SA
AVR08	2007-001167	R-CHIP;75ohm,5%,1/10W,TP,1608	1		SA	DSPR7	2007-000090	R-CHIP;10Kohm,5%,1/10W,TP,1608	1		SA
AVR09	2007-001167	R-CHIP;75ohm,5%,1/10W,TP,1608	1		SA	DSPR8	2007-000082	R-CHIP;3.3Kohm,5%,1/10W,TP,1608	1		SA
AVR10	2007-000125	R-CHIP;3.9Kohm,5%,1/10W,TP,1608	1		SA	DSPR9	2007-000113	R-CHIP;33ohm,5%,1/10W,TP,1608	1		SA
AVR11	2007-000125	R-CHIP;3.9Kohm,5%,1/10W,TP,1608	1		SA	DSPX1	2801-004021	CRYSTAL-SMD;24.576MHz,20ppm,28-AAN,	1		SA
AVR12	2007-000084	R-CHIP;4.7Kohm,5%,1/10W,TP,1608	1		SA	ESD1	0406-001128	DIODE-TVS;MLVS-0603-E08,50V	1		SA
AVR13	2007-001167	R-CHIP;75ohm,5%,1/10W,TP,1608	1		SA	ESD2	0406-001128	DIODE-TVS;MLVS-0603-E08,50V	1		SA
AVR14	2007-001167	R-CHIP;75ohm,5%,1/10W,TP,1608	1		SA	FET01	0505-002365	FET-SILICON;IRF6645,N,100V,5.7A,0,0	1		SA
AVR15	2007-001167	R-CHIP;75ohm,5%,1/10W,TP,1608	1		SA	FET02	0505-002365	FET-SILICON;IRF6645,N,100V,5.7A,0,0	1		SA
AVR16	2007-001167	R-CHIP;75ohm,5%,1/10W,TP,1608	1		SA	FET03	0505-002365	FET-SILICON;IRF6645,N,100V,5.7A,0,0	1		SA
BRACKET-JACKAH61-02713A	BRACKET-JACK;HT-X720,SPT,0.3,18.9,	1			SA	FET04	0505-002365	FET-SILICON;IRF6645,N,100V,5.7A,0,0	1		SA
CECX1	2802-001179	RESONATOR-CERAMIC;4MHZ,0.5%,BK,8X3X	1		SA	FET05	0505-002365	FET-SILICON;IRF6645,N,100V,5.7A,0,0	1		SA
CEIC1	AK09-00159A	IC MICOM;MC80C0316-MC015 D32,44,2.7	1		SA	FET06	0505-002365	FET-SILICON;IRF6645,N,100V,5.7A,0,0	1		SA
CEIC2	1103-001333	IC-EEPROM;24C08A,8Kbit,1Kx8,SOP,8P,	1		SA	HC100	2203-005065	C-CER,CHIP;1000nF,+80-20%,10V,Y5V,1	1		SA
CEIC3	1203-002425	IC-POSIFIXED REG.;1117,SOT-223,3P,	1		SA	HC101	2203-005148	C-CER,CHIP;100nF,10%,16V,X7R,TP,160	1		SA
CEIC4	0505-001679	FET-SILICON;FDC6301N,N,25V,0.22A,50	1		SA	HC102	2203-005148	C-CER,CHIP;100nF,10%,16V,X7R,TP,160	1		SA
CON4	3708-001266	CONNECTOR-FPC/FPC/PIC;11P,1mm,STRAI	1		SA	HC103	2203-005148	C-CER,CHIP;100nF,10%,16V,X7R,TP,160	1		SA
DESD1	0406-001128	DIODE-TVS;MLVS-0603-E08,50V	1		SA	HC104	2203-006361	C-CER,CHIP;10000nF,10%,10V,X5R,TP,2	1		SA
DSPC10	2203-000815	C-CER,CHIP;0.033nF,5%,50V,C0G,1608	1		SA	HC105	2203-005148	C-CER,CHIP;100nF,10%,16V,X7R,TP,160	1		SA
DSPC11	2203-000189	C-CER,CHIP;100nF,+80-20%,25V,Y5V,16	1		SA	HC106	2203-006361	C-CER,CHIP;10000nF,10%,10V,X5R,TP,2	1		SA
DSPC12	2203-000189	C-CER,CHIP;100nF,+80-20%,25V,Y5V,16	1		SA	HC107	2203-005148	C-CER,CHIP;100nF,10%,16V,X7R,TP,160	1		SA
DSPC13	2203-000189	C-CER,CHIP;100nF,+80-20%,25V,Y5V,16	1		SA	HC108	2203-006361	C-CER,CHIP;10000nF,10%,10V,X5R,TP,2	1		SA
DSPC14	2203-000189	C-CER,CHIP;100nF,+80-20%,25V,Y5V,16	1		SA	HC111	2203-005148	C-CER,CHIP;100nF,10%,16V,X7R,TP,160	1		SA
DSPC3	2203-000189	C-CER,CHIP;100nF,+80-20%,25V,Y5V,16	1		SA	HC112	2203-005148	C-CER,CHIP;100nF,10%,16V,X7R,TP,160	1		SA
DSPC4	2203-006361	C-CER,CHIP;10000nF,10%,10V,X5R,TP,2	1		SA	HC113	2203-005148	C-CER,CHIP;100nF,10%,16V,X7R,TP,160	1		SA
DSPC5	2203-000189	C-CER,CHIP;100nF,+80-20%,25V,Y5V,16	1		SA	HC116	2203-005148	C-CER,CHIP;100nF,10%,16V,X7R,TP,160	1		SA
DSPC6	2203-006361	C-CER,CHIP;10000nF,10%,10V,X5R,TP,2	1		SA	HC52	2203-006361	C-CER,CHIP;10000nF,10%,10V,X5R,TP,2	1		SA
DSPC7	2203-000189	C-CER,CHIP;100nF,+80-20%,25V,Y5V,16	1		SA	HC53	2203-006361	C-CER,CHIP;10000nF,10%,10V,X5R,TP,2	1		SA
DSPC8	2203-000815	C-CER,CHIP;0.033nF,5%,50V,C0G,1608	1		SA	HC55	2203-006361	C-CER,CHIP;10000nF,10%,10V,X5R,TP,2	1		SA
DSPC9	2203-006361	C-CER,CHIP;10000nF,10%,10V,X5R,TP,2	1		SA	HC59	2203-006361	C-CER,CHIP;10000nF,10%,10V,X5R,TP,2	1		SA
DSPI1	0904-002330	IC-DSP;CS48540,LQFP,48P,7x7mm,150MH	1		SA	HC60	2203-006361	C-CER,CHIP;10000nF,10%,10V,X5R,TP,2	1		SA
DSPL1	3301-001495	BEAD-SMD;120ohm,2012,2500mA,TP,115o	1		SA	HC61	2203-006361	C-CER,CHIP;10000nF,10%,10V,X5R,TP,2	1		SA
DSPL2	3301-001495	BEAD-SMD;120ohm,2012,2500mA,TP,115o	1		SA						

Loc. No.	Part No.	Description;Specification	Q'ty	SNA	Remark	Loc. No.	Part No.	Description;Specification	Q'ty	SNA	Remark
HC62	2203-006361	C-CER,CHIP;1000nF,10%,10V,X5R,TP,2	1	SA		HPIC11	AH14-10003E	IC;KIA7812PI,,TO-220	1	SA	
HC63	2203-006361	C-CER,CHIP;1000nF,10%,10V,X5R,TP,2	1	SA		HPJACK1	3722-000143	JACK-PHONE;1P(VER),AG,BLK,ANGLE	1	SA	
HC64	2203-006361	C-CER,CHIP;1000nF,10%,10V,X5R,TP,2	1	SA		HPL1	2703-000275	INDUCTOR-SMD;33UH,10%,2012	1	SA	
HC65	2203-006361	C-CER,CHIP;1000nF,10%,10V,X5R,TP,2	1	SA		HPL2	2703-000275	INDUCTOR-SMD;33UH,10%,2012	1	SA	
HC66	2203-006361	C-CER,CHIP;1000nF,10%,10V,X5R,TP,2	1	SA		HPL3	3301-001495	BEAD-SMD;120ohm,2012,2500mA,TP,115o	1	SA	
HC75	2203-006361	C-CER,CHIP;1000nF,10%,10V,X5R,TP,2	1	SA		HPL4	3301-001495	BEAD-SMD;120ohm,2012,2500mA,TP,115o	1	SA	
HC76	2203-006361	C-CER,CHIP;1000nF,10%,10V,X5R,TP,2	1	SA		HPL5	3301-000314	BEAD-SMD;120ohm,1.6x0.8x0.8mm,-,-,-	1	SA	
HC77	2203-005148	C-CER,CHIP;100nF,10%,16V,X7R,TP,160	1	SA		HPL6	3301-000314	BEAD-SMD;120ohm,1.6x0.8x0.8mm,-,-,-	1	SA	
HC78	2203-005148	C-CER,CHIP;100nF,10%,16V,X7R,TP,160	1	SA		HQ1	0504-000156	TR-DIGITAL;KSR2103,PNP,200MW,22K/22	1	SA	
HC79	2203-006361	C-CER,CHIP;1000nF,10%,10V,X5R,TP,2	1	SA		HQ2	0504-000128	TR-DIGITAL;-,NPN,200MW,22K/22K,SOT-	1	SA	
HC80	2203-005148	C-CER,CHIP;100nF,10%,16V,X7R,TP,160	1	SA		HQ3	0505-000110	FET-SILICON;2N7002,N,60V,115mA,7.5o	1	SA	
HC81	2203-005148	C-CER,CHIP;100nF,10%,16V,X7R,TP,160	1	SA		HQ4	0505-000110	FET-SILICON;2N7002,N,60V,115mA,7.5o	1	SA	
HC82	2203-005148	C-CER,CHIP;100nF,10%,16V,X7R,TP,160	1	SA		HR100	2007-000503	R-CHIP;2.2ohm,5%,1/10W,TP,1608	1	SA	
HC83	2203-006361	C-CER,CHIP;1000nF,10%,10V,X5R,TP,2	1	SA		HR101	2007-000074	R-CHIP;100ohm,5%,1/10W,TP,1608	1	SA	
HC86	2203-005148	C-CER,CHIP;100nF,10%,16V,X7R,TP,160	1	SA		HR102	2007-000074	R-CHIP;100ohm,5%,1/10W,TP,1608	1	SA	
HC87	2203-005148	C-CER,CHIP;100nF,10%,16V,X7R,TP,160	1	SA		HR103	2011-001345	R-NETWORK;10Kohm,5%,1/16W,L,CHIP,8P	1	SA	
HC88	2203-005065	C-CER,CHIP;1000nF,+80-20%,10V,Y5V,1	1	SA		HR104	2011-001345	R-NETWORK;10Kohm,5%,1/16W,L,CHIP,8P	1	SA	
HC89	2203-005065	C-CER,CHIP;1000nF,+80-20%,10V,Y5V,1	1	SA		HR105	2011-001345	R-NETWORK;10Kohm,5%,1/16W,L,CHIP,8P	1	SA	
HC90	2203-005148	C-CER,CHIP;100nF,10%,16V,X7R,TP,160	1	SA		HR110	2007-000090	R-CHIP;10Kohm,5%,1/10W,TP,1608	1	SA	
HC91	2203-005065	C-CER,CHIP;1000nF,+80-20%,10V,Y5V,1	1	SA		HR111	2007-000109	R-CHIP;1Mohm,5%,1/10W,TP,1608	1	SA	
HC92	2203-005148	C-CER,CHIP;100nF,10%,16V,X7R,TP,160	1	SA		HR112	2007-000074	R-CHIP;100ohm,5%,1/10W,TP,1608	1	SA	
HC93	2203-005065	C-CER,CHIP;1000nF,+80-20%,10V,Y5V,1	1	SA		HR113	2007-000074	R-CHIP;100ohm,5%,1/10W,TP,1608	1	SA	
HC94	2203-005148	C-CER,CHIP;100nF,10%,16V,X7R,TP,160	1	SA		HR122	2007-000084	R-CHIP;4.7Kohm,5%,1/10W,TP,1608	1	SA	
HC95	2203-005065	C-CER,CHIP;1000nF,+80-20%,10V,Y5V,1	1	SA		HR123	2007-000090	R-CHIP;10Kohm,5%,1/10W,TP,1608	1	SA	
HC96	2203-000189	C-CER,CHIP;100nF,+80-20%,25V,Y5V,16	1	SA		HR13	2007-000084	R-CHIP;4.7Kohm,5%,1/10W,TP,1608	1	SA	
HC97	2203-006361	C-CER,CHIP;1000nF,10%,10V,X5R,TP,2	1	SA		HR23	2007-000070	R-CHIP;0ohm,5%,1/10W,TP,1608	1	SA	
HC98	2203-005148	C-CER,CHIP;100nF,10%,16V,X7R,TP,160	1	SA		HR26	2007-000084	R-CHIP;4.7Kohm,5%,1/10W,TP,1608	1	SA	
HC99	2203-005148	C-CER,CHIP;100nF,10%,16V,X7R,TP,160	1	SA		HR27	2007-000078	R-CHIP;1Kohm,5%,1/10W,TP,1608	1	SA	
HD2	0406-001128	DIODE-TVS;MLVS-0603-E08,50V	1	SA		HR28	2007-000070	R-CHIP;0ohm,5%,1/10W,TP,1608	1	SA	
HD3	0404-001089	DIODE-SCHOTTKY;RB551V-30,20V,500MA,	1	SA		HR34	2007-000070	R-CHIP;0ohm,5%,1/10W,TP,1608	1	SA	
HD4	0402-000309	DIODE-RECTIFIER;1SR154-400,400V,1A,	1	SA		HR35	2007-000070	R-CHIP;0ohm,5%,1/10W,TP,1608	1	SA	
HD5	0406-001128	DIODE-TVS;MLVS-0603-E08,50V	1	SA		HR4	2007-000084	R-CHIP;4.7Kohm,5%,1/10W,TP,1608	1	SA	
HDMIJACK2	3701-001320	CONNECTOR-HDMI;19P,2R,FEMALE,DIP,AU	1	SA		HR44	2011-001345	R-NETWORK;10Kohm,5%,1/16W,L,CHIP,8P	1	SA	
HEATSINK-MPEG	AH62-00062G	HEAT SINK-TR;HT-DS400,AL EXTR	1	SA		HR47	2007-000070	R-CHIP;0ohm,5%,1/10W,TP,1608	1	SA	
HESD2	0406-001128	DIODE-TVS;MLVS-0603-E08,50V	1	SA		HR49	2007-000070	R-CHIP;0ohm,5%,1/10W,TP,1608	1	SA	
HIC2	1205-003381	IC-TRANSMITTER;ES7108S,LQFP,80P,12x	1	SA		HR5	2007-000078	R-CHIP;1Kohm,5%,1/10W,TP,1608	1	SA	
HIC3	0406-001271	DIODE-TVS;RCLAMP0524P,6/-V,150W,S	1	SA		HR51	2007-000129	R-CHIP;27Kohm,5%,1/10W,TP,1608	1	SA	
HIC4	0406-001271	DIODE-TVS;RCLAMP0524P,6/-V,150W,S	1	SA		HR52	2007-000075	R-CHIP;220ohm,5%,1/10W,TP,1608	1	SA	
HL10	3301-001495	BEAD-SMD;120ohm,2012,2500mA,TP,115o	1	SA		HR55	2007-000075	R-CHIP;220ohm,5%,1/10W,TP,1608	1	SA	
HL11	3301-001495	BEAD-SMD;120ohm,2012,2500mA,TP,115o	1	SA		HR56	2011-001344	R-NETWORK;100ohm,5%,1/16W,L,CHIP,8P	1	SNA	
HL13	3301-001495	BEAD-SMD;120ohm,2012,2500mA,TP,115o	1	SA		HR58	2007-000643	R-CHIP;270ohm,5%,1/10W,TP,1608	1	SA	
HL15	3301-001495	BEAD-SMD;120ohm,2012,2500mA,TP,115o	1	SA		HR59	2007-000116	R-CHIP;120ohm,5%,1/10W,TP,1608	1	SA	
HL16	3301-001495	BEAD-SMD;120ohm,2012,2500mA,TP,115o	1	SA		HR6	2007-000084	R-CHIP;4.7Kohm,5%,1/10W,TP,1608	1	SA	
HL17	3301-001495	BEAD-SMD;120ohm,2012,2500mA,TP,115o	1	SA		HR60	2007-002425	R-CHIP;1ohm,5%,1/10W,TP,1608	1	SA	
HL18	3301-001495	BEAD-SMD;120ohm,2012,2500mA,TP,115o	1	SA		HR61	2007-000075	R-CHIP;220ohm,5%,1/10W,TP,1608	1	SA	
HL7	3301-001495	BEAD-SMD;120ohm,2012,2500mA,TP,115o	1	SA		HR62	2007-000076	R-CHIP;330ohm,5%,1/10W,TP,1608	1	SA	
HL9	3301-001495	BEAD-SMD;120ohm,2012,2500mA,TP,115o	1	SA		HR63	2007-000075	R-CHIP;220ohm,5%,1/10W,TP,1608	1	SA	
HPC1	2203-000531	C-CER,CHIP;2.7nF,10%,50V,X7R,1608	1	SA		HR64	2007-000074	R-CHIP;100ohm,5%,1/10W,TP,1608	1	SA	
HPC2	2203-000531	C-CER,CHIP;2.7nF,10%,50V,X7R,1608	1	SA		HR65	2007-000074	R-CHIP;100ohm,5%,1/10W,TP,1608	1	SA	
HPC3	2203-005148	C-CER,CHIP;100nF,10%,16V,X7R,TP,160	1	SA		HR66	2007-000113	R-CHIP;33ohm,5%,1/10W,TP,1608	1	SA	
HPC4	2203-000236	C-CER,CHIP;0.1nF,5%,50V,C0G,1608	1	SA		HR67	2007-000071	R-CHIP;22ohm,5%,1/10W,TP,1608	1	SA	
HPC5	2203-000236	C-CER,CHIP;0.1nF,5%,50V,C0G,1608	1	SA		HR68	2007-000071	R-CHIP;22ohm,5%,1/10W,TP,1608	1	SA	
HPC6	2203-000257	C-CER,CHIP;10nF,10%,50V,X7R,TP,1608	1	SA		HR71	2007-002425	R-CHIP;1ohm,5%,1/10W,TP,1608	1	SA	
HPC7	2203-005148	C-CER,CHIP;100nF,10%,16V,X7R,TP,160	1	SA		HR72	2011-001345	R-NETWORK;10Kohm,5%,1/16W,L,CHIP,8P	1	SA	
HPD1	0401-001090	DIODE-SWITCHING;1SS355,80V,100MA,SO	1	SA		HR73	2007-000729	R-CHIP;300ohm,5%,1/10W,TP,1608	1	SA	
HPD2	0401-001090	DIODE-SWITCHING;1SS355,80V,100MA,SO	1	SA		HR74	2007-000084	R-CHIP;4.7Kohm,5%,1/10W,TP,1608	1	SA	
HPD3	0401-001090	DIODE-SWITCHING;1SS355,80V,100MA,SO	1	SA		HR75	2007-000084	R-CHIP;4.7Kohm,5%,1/10W,TP,1608	1	SA	
HPD4	0401-001090	DIODE-SWITCHING;1SS355,80V,100MA,SO	1	SA		HR76	2007-000084	R-CHIP;4.7Kohm,5%,1/10W,TP,1608	1	SA	
						HR77	2007-000084	R-CHIP;4.7Kohm,5%,1/10W,TP,1608	1	SA	

Exploded View & Part List

Loc. No.	Part No.	Description;Specification	Q'ty	SNA	Remark	Loc. No.	Part No.	Description;Specification	Q'ty	SNA	Remark
HR78	2007-000084	R-CHIP;4.7Kohm,5%,1/10W,TP,1608	1		SA	MC120	2203-005148	C-CER,CHIP;100nF,10%,16V,X7R,TP,160	1		SA
HR79	2007-000084	R-CHIP;4.7Kohm,5%,1/10W,TP,1608	1		SA	MC121	2203-005148	C-CER,CHIP;100nF,10%,16V,X7R,TP,160	1		SA
HR80	2007-000084	R-CHIP;4.7Kohm,5%,1/10W,TP,1608	1		SA	MC122	2203-006361	C-CER,CHIP;10000nF,10%,10V,X5R,TP,2	1		SA
HR81	2007-000113	R-CHIP;33ohm,5%,1/10W,TP,1608	1		SA	MC127	2203-006361	C-CER,CHIP;10000nF,10%,10V,X5R,TP,2	1		SA
HR82	2007-000074	R-CHIP;100ohm,5%,1/10W,TP,1608	1		SA	MC128	2203-005148	C-CER,CHIP;100nF,10%,16V,X7R,TP,160	1		SA
HR83	2007-000113	R-CHIP;33ohm,5%,1/10W,TP,1608	1		SA	MC13	2203-000440	C-CER,CHIP;1nF,10%,50V,X7R,1608	1		SA
HR84	2007-000090	R-CHIP;10Kohm,5%,1/10W,TP,1608	1		SA	MC131	2203-006361	C-CER,CHIP;10000nF,10%,10V,X5R,TP,2	1		SA
HR85	2007-000113	R-CHIP;33ohm,5%,1/10W,TP,1608	1		SA	MC132	2203-006361	C-CER,CHIP;10000nF,10%,10V,X5R,TP,2	1		SA
HR86	2007-000113	R-CHIP;33ohm,5%,1/10W,TP,1608	1		SA	MC134	2203-005148	C-CER,CHIP;100nF,10%,16V,X7R,TP,160	1		SA
HR87	2007-000113	R-CHIP;33ohm,5%,1/10W,TP,1608	1		SA	MC135	2203-005148	C-CER,CHIP;100nF,10%,16V,X7R,TP,160	1		SA
HR88	2007-000074	R-CHIP;100ohm,5%,1/10W,TP,1608	1		SA	MC136	2203-006361	C-CER,CHIP;10000nF,10%,10V,X5R,TP,2	1		SA
HR89	2007-000074	R-CHIP;100ohm,5%,1/10W,TP,1608	1		SA	MC139	2203-005148	C-CER,CHIP;100nF,10%,16V,X7R,TP,160	1		SA
HR90	2007-000503	R-CHIP;2.2ohm,5%,1/10W,TP,1608	1		SA	MC14	2402-001009	C-AL,SMD;100uF,20%,6.3V,GP,TP,5.3x5	1		SA
HR91	2007-000503	R-CHIP;2.2ohm,5%,1/10W,TP,1608	1		SA	MC140	2203-000189	C-CER,CHIP;100nF,+80-20%,25V,Y5V,16	1		SA
HR92	2007-000503	R-CHIP;2.2ohm,5%,1/10W,TP,1608	1		SA	MC143	2203-000189	C-CER,CHIP;100nF,+80-20%,25V,Y5V,16	1		SA
HR93	2007-000503	R-CHIP;2.2ohm,5%,1/10W,TP,1608	1		SA	MC144	2203-000189	C-CER,CHIP;100nF,+80-20%,25V,Y5V,16	1		SA
HR94	2007-000503	R-CHIP;2.2ohm,5%,1/10W,TP,1608	1		SA	MC146	2402-001070	C-AL,SMD;470uF,20%,16V,GP,TP,10x10.	1		SA
HR95	2007-000503	R-CHIP;2.2ohm,5%,1/10W,TP,1608	1		SA	MC148	2203-006361	C-CER,CHIP;10000nF,10%,10V,X5R,TP,2	1		SA
HR96	2007-000113	R-CHIP;33ohm,5%,1/10W,TP,1608	1		SA	MC149	2203-006361	C-CER,CHIP;10000nF,10%,10V,X5R,TP,2	1		SA
HR99	2007-000503	R-CHIP;2.2ohm,5%,1/10W,TP,1608	1		SA	MC14X	2203-000189	C-CER,CHIP;100nF,+80-20%,25V,Y5V,16	1		SA
						MC15	2203-000257	C-CER,CHIP;10nF,10%,50V,X7R,TP,1608	1		SA
HS_7812	AH62-00062C	HEAT SINK-TR;HT-DM550,AL EXTR,2,25	1		SA	MC16	2203-005148	C-CER,CHIP;100nF,10%,16V,X7R,TP,160	1		SA
HS_7905	AH62-00204A	HEAT SINK;HT-Z320,A6063S-T5,15,11,S	1		SA	MC17	2203-005148	C-CER,CHIP;100nF,10%,16V,X7R,TP,160	1		SA
IPC1	2402-001042	C-AL,SMD;100uF,20%,16V,GP,TP,6.6x6.	1		SA	MC18	2203-001086	C-CER,CHIP;0.0050nF,0.25pF,50V,NP0	1		SA
IPC2	2203-005249	C-CER,CHIP;100nF,10%,50V,X7R,TP,160	1		SA	MC19	2203-001086	C-CER,CHIP;0.0050nF,0.25pF,50V,NP0	1		SA
IPL1	3301-001495	BEAD-SMD;120ohm,2012,2500mA,TP,115o	1		SA	MC20	2203-000189	C-CER,CHIP;100nF,+80-20%,25V,Y5V,16	1		SA
IPL2	3301-001495	BEAD-SMD;120ohm,2012,2500mA,TP,115o	1		SA	MC21	2203-000189	C-CER,CHIP;100nF,+80-20%,25V,Y5V,16	1		SA
JIC01	1204-001978	IC-VIDEO PROCESS;LA73054,36P,SSOP,7	1		SA	MC22	2203-006361	C-CER,CHIP;10000nF,10%,10V,X5R,TP,2	1		SA
LINC1	2203-000236	C-CER,CHIP;0.1nF,5%,50V,COG,1608	1		SA	MC23	2203-000440	C-CER,CHIP;1nF,10%,50V,X7R,1608	1		SA
LINC2	2203-000236	C-CER,CHIP;0.1nF,5%,50V,COG,1608	1		SA	MC24	2402-001070	C-AL,SMD;470uF,20%,16V,GP,TP,10x10.	1		SA
LINC3	2203-000257	C-CER,CHIP;10nF,10%,50V,X7R,TP,1608	1		SA	MC25	2203-000189	C-CER,CHIP;100nF,+80-20%,25V,Y5V,16	1		SA
LINJACK1	3722-000143	JACK-PHONE;1P(VER),AG,BLK,ANGLE	1		SA	MC26	2203-005148	C-CER,CHIP;100nF,10%,16V,X7R,TP,160	1		SA
LINL1	3301-000314	BEAD-SMD;120ohm,1.6x0.8x0.8mm,-,-	1		SA	MC27	2203-006361	C-CER,CHIP;10000nF,10%,10V,X5R,TP,2	1		SA
LINL2	3301-000314	BEAD-SMD;120ohm,1.6x0.8x0.8mm,-,-	1		SA	MC28	2203-000440	C-CER,CHIP;1nF,10%,50V,X7R,1608	1		SA
LINR3	2007-000070	R-CHIP;0ohm,5%,1/10W,TP,1608	1		SA	MC29	2203-005148	C-CER,CHIP;100nF,10%,16V,X7R,TP,160	1		SA
LINR4	2007-000070	R-CHIP;0ohm,5%,1/10W,TP,1608	1		SA	MC3	2203-006361	C-CER,CHIP;10000nF,10%,10V,X5R,TP,2	1		SA
MC1	2203-001086	C-CER,CHIP;0.0050nF,0.25pF,50V,NP0	1		SA	MC30	2203-005148	C-CER,CHIP;100nF,10%,16V,X7R,TP,160	1		SA
MC10	2203-005148	C-CER,CHIP;100nF,10%,16V,X7R,TP,160	1		SA	MC31	2402-001070	C-AL,SMD;470uF,20%,16V,GP,TP,10x10.	1		SA
MC100	2203-005148	C-CER,CHIP;100nF,10%,16V,X7R,TP,160	1		SA	MC32	2203-005148	C-CER,CHIP;100nF,10%,16V,X7R,TP,160	1		SA
MC101	2203-005148	C-CER,CHIP;100nF,10%,16V,X7R,TP,160	1		SA	MC34	2203-005148	C-CER,CHIP;100nF,10%,16V,X7R,TP,160	1		SA
MC102	2203-006361	C-CER,CHIP;10000nF,10%,10V,X5R,TP,2	1		SA	MC35	2203-005148	C-CER,CHIP;100nF,10%,16V,X7R,TP,160	1		SA
MC103	2203-005148	C-CER,CHIP;100nF,10%,16V,X7R,TP,160	1		SA	MC36	2203-006361	C-CER,CHIP;10000nF,10%,10V,X5R,TP,2	1		SA
MC104	2203-006361	C-CER,CHIP;10000nF,10%,10V,X5R,TP,2	1		SA	MC37	2203-005148	C-CER,CHIP;100nF,10%,16V,X7R,TP,160	1		SA
MC105	2203-006361	C-CER,CHIP;10000nF,10%,10V,X5R,TP,2	1		SA	MC38	2203-006361	C-CER,CHIP;10000nF,10%,10V,X5R,TP,2	1		SA
MC106	2203-000062	C-CER,CHIP;47nF,+80-20%,50V,Y5V,160	1		SA	MC39	2203-000236	C-CER,CHIP;0.1nF,5%,50V,COG,1608	1		SA
MC107	2203-001596	C-CER,CHIP;2200nF,+80-20%,50V,Y5V,2	1		SA	MC4	2203-005148	C-CER,CHIP;100nF,10%,16V,X7R,TP,160	1		SA
MC108	2203-001596	C-CER,CHIP;2200nF,+80-20%,50V,Y5V,2	1		SA	MC40	2203-001652	C-CER,CHIP;470nF,+80-20%,16V,Y5V,16	1		SA
MC11	2203-000189	C-CER,CHIP;100nF,+80-20%,25V,Y5V,16	1		SA	MC41	2203-000257	C-CER,CHIP;10nF,10%,50V,X7R,TP,1608	1		SA
MC110	2203-006361	C-CER,CHIP;10000nF,10%,10V,X5R,TP,2	1		SA	MC42	2203-001652	C-CER,CHIP;470nF,+80-20%,16V,Y5V,16	1		SA
MC111	2203-005148	C-CER,CHIP;100nF,10%,16V,X7R,TP,160	1		SA	MC43	2203-000257	C-CER,CHIP;10nF,10%,50V,X7R,TP,1608	1		SA
MC112	2203-005148	C-CER,CHIP;100nF,10%,16V,X7R,TP,160	1		SA	MC44	2203-000257	C-CER,CHIP;10nF,10%,50V,X7R,TP,1608	1		SA
MC113	2203-005148	C-CER,CHIP;100nF,10%,16V,X7R,TP,160	1		SA	MC45	2203-001126	C-CER,CHIP;0.68nF,10%,50V,X7R,1608	1		SA
MC114	2203-005148	C-CER,CHIP;100nF,10%,16V,X7R,TP,160	1		SA	MC46	2203-006361	C-CER,CHIP;10000nF,10%,10V,X5R,TP,2	1		SA
MC115	2203-005148	C-CER,CHIP;100nF,10%,16V,X7R,TP,160	1		SA	MC47	2203-006361	C-CER,CHIP;10000nF,10%,10V,X5R,TP,2	1		SA
MC116	2203-005148	C-CER,CHIP;100nF,10%,16V,X7R,TP,160	1		SA	MC48	2203-006361	C-CER,CHIP;10000nF,10%,10V,X5R,TP,2	1		SA
MC117	2203-005148	C-CER,CHIP;100nF,10%,16V,X7R,TP,160	1		SA	MC49	2203-006361	C-CER,CHIP;10000nF,10%,10V,X5R,TP,2	1		SA
MC118	2203-005148	C-CER,CHIP;100nF,10%,16V,X7R,TP,160	1		SA	MC5	2203-005148	C-CER,CHIP;100nF,10%,16V,X7R,TP,160	1		SA
MC119	2203-006361	C-CER,CHIP;10000nF,10%,10V,X5R,TP,2	1		SA	MC50	2203-005148	C-CER,CHIP;100nF,10%,16V,X7R,TP,160	1		SA
MC12	2203-000189	C-CER,CHIP;100nF,+80-20%,25V,Y5V,16	1		SA						

Loc. No.	Part No.	Description;Specification	Q'ty	SNA	Remark	Loc. No.	Part No.	Description;Specification	Q'ty	SNA	Remark
MC51	2203-001126	C-CER,CHIP;0.68nF,10%,50V,X7R,1608	1		SA	ML14	3301-001495	BEAD-SMD;120ohm,2012,2500mA,TP,115o	1		SA
MC52	2203-005148	C-CER,CHIP;100nF,10%,16V,X7R,TP,160	1		SA	ML15	3301-001495	BEAD-SMD;120ohm,2012,2500mA,TP,115o	1		SA
MC53	2203-005148	C-CER,CHIP;100nF,10%,16V,X7R,TP,160	1		SA	ML17	3301-001495	BEAD-SMD;120ohm,2012,2500mA,TP,115o	1		SA
MC54	2203-005148	C-CER,CHIP;100nF,10%,16V,X7R,TP,160	1		SA	ML18	3301-001495	BEAD-SMD;120ohm,2012,2500mA,TP,115o	1		SA
MC55	2203-005148	C-CER,CHIP;100nF,10%,16V,X7R,TP,160	1		SA	ML19	3301-001495	BEAD-SMD;120ohm,2012,2500mA,TP,115o	1		SA
MC56	2203-005148	C-CER,CHIP;100nF,10%,16V,X7R,TP,160	1		SA	ML2	3301-001495	BEAD-SMD;120ohm,2012,2500mA,TP,115o	1		SA
MC57	2203-005148	C-CER,CHIP;100nF,10%,16V,X7R,TP,160	1		SA	ML20	3301-001495	BEAD-SMD;120ohm,2012,2500mA,TP,115o	1		SA
MC58	2203-000257	C-CER,CHIP;10nF,10%,50V,X7R,TP,1608	1		SA	ML21	3301-001495	BEAD-SMD;120ohm,2012,2500mA,TP,115o	1		SA
MC59	2203-005148	C-CER,CHIP;100nF,10%,16V,X7R,TP,160	1		SA	ML22	3301-001495	BEAD-SMD;120ohm,2012,2500mA,TP,115o	1		SA
MC6	2203-005148	C-CER,CHIP;100nF,10%,16V,X7R,TP,160	1		SA	ML23	2703-002238	INDUCTOR-SMD;1UH,5%,2012	1		SA
MC60	2203-006361	C-CER,CHIP;1000nF,10%,10V,X5R,TP,2	1		SA	ML24	2703-002238	INDUCTOR-SMD;1UH,5%,2012	1		SA
MC61	2203-000440	C-CER,CHIP;1nF,10%,50V,X7R,1608	1		SA	ML25	2703-002238	INDUCTOR-SMD;1UH,5%,2012	1		SA
MC62	2203-005148	C-CER,CHIP;100nF,10%,16V,X7R,TP,160	1		SA	ML26	2703-002238	INDUCTOR-SMD;1UH,5%,2012	1		SA
MC63	2203-000236	C-CER,CHIP;0.1nF,5%,50V,C0G,1608	1		SA	ML27	3301-001495	BEAD-SMD;120ohm,2012,2500mA,TP,115o	1		SA
MC64	2203-006361	C-CER,CHIP;1000nF,10%,10V,X5R,TP,2	1		SA	ML3	3301-001495	BEAD-SMD;120ohm,2012,2500mA,TP,115o	1		SA
MC65	2203-000280	C-CER,CHIP;0.01nF,0.5pF,50V,C0G,160	1		SA	ML4	3301-001495	BEAD-SMD;120ohm,2012,2500mA,TP,115o	1		SA
MC66	2203-001086	C-CER,CHIP;0.0050nF,0.25pF,50V,NP0,	1		SA	ML5	3301-001495	BEAD-SMD;120ohm,2012,2500mA,TP,115o	1		SA
MC67	2203-002398	C-CER,CHIP;22nF,10%,50V,X7R,1608	1		SA	ML6	3301-001495	BEAD-SMD;120ohm,2012,2500mA,TP,115o	1		SA
MC68	2203-006361	C-CER,CHIP;1000nF,10%,10V,X5R,TP,2	1		SA	ML7	3301-001495	BEAD-SMD;120ohm,2012,2500mA,TP,115o	1		SA
MC7	2203-005148	C-CER,CHIP;100nF,10%,16V,X7R,TP,160	1		SA	ML8	3301-001495	BEAD-SMD;120ohm,2012,2500mA,TP,115o	1		SA
MC70	2203-005148	C-CER,CHIP;100nF,10%,16V,X7R,TP,160	1		SA	ML9	3301-001495	BEAD-SMD;120ohm,2012,2500mA,TP,115o	1		SA
MC72	2203-006361	C-CER,CHIP;1000nF,10%,10V,X5R,TP,2	1		SA	MQ1	0504-000128	TR-DIGITAL;-NPN,200MW,22K/22K,SOT-	1		SA
MC73	2203-005065	C-CER,CHIP;1000nF,+80-20%,10V,Y5V,1	1		SA	MQ2	0504-000128	TR-DIGITAL;-NPN,200MW,22K/22K,SOT-	1		SA
MC74	2203-000888	C-CER,CHIP;4.7nF,10%,50V,X7R,TP,160	1		SA	MQ3	0501-000632	TR-SMALL SIGNAL;2SB1197K,PNP,200mW,	1		SA
MC75	2203-005148	C-CER,CHIP;100nF,10%,16V,X7R,TP,160	1		SA	MQ4	0504-000128	TR-DIGITAL;-NPN,200MW,22K/22K,SOT-	1		SA
MC76	2203-000440	C-CER,CHIP;1nF,10%,50V,X7R,1608	1		SA	MQ5	0501-000632	TR-SMALL SIGNAL;2SB1197K,PNP,200mW,	1		SA
MC77	2203-005148	C-CER,CHIP;100nF,10%,16V,X7R,TP,160	1		SA	MR1	2007-000097	R-CHIP;47Kohm,5%,1/10W,TP,1608	1		SA
MC78	2203-000257	C-CER,CHIP;10nF,10%,50V,X7R,TP,1608	1		SA	MR100	2007-000078	R-CHIP;1Kohm,5%,1/10W,TP,1608	1		SA
MC79	2203-005015	C-CER,CHIP;150nF,+80-20%,16V,Y5V,16	1		SA	MR101	2007-000122	R-CHIP;1.2Kohm,5%,1/10W,TP,1608	1		SA
MC8	2203-005148	C-CER,CHIP;100nF,10%,16V,X7R,TP,160	1		SA	MR102	2007-000078	R-CHIP;1Kohm,5%,1/10W,TP,1608	1		SA
MC80	2203-005148	C-CER,CHIP;100nF,10%,16V,X7R,TP,160	1		SA	MR103	2007-000074	R-CHIP;100ohm,5%,1/10W,TP,1608	1		SA
MC81	2203-006361	C-CER,CHIP;1000nF,10%,10V,X5R,TP,2	1		SA	MR104	2007-000074	R-CHIP;100ohm,5%,1/10W,TP,1608	1		SA
MC82	2203-005148	C-CER,CHIP;100nF,10%,16V,X7R,TP,160	1		SA	MR105	2011-001344	R-NETWORK;100ohm,5%,1/16W,L,CHIP,8P	1		SNA
MC83	2203-005148	C-CER,CHIP;100nF,10%,16V,X7R,TP,160	1		SA	MR106	2011-001344	R-NETWORK;100ohm,5%,1/16W,L,CHIP,8P	1		SNA
MC84	2203-005148	C-CER,CHIP;100nF,10%,16V,X7R,TP,160	1		SA	MR107	2011-001344	R-NETWORK;100ohm,5%,1/16W,L,CHIP,8P	1		SNA
MC85	2203-001086	C-CER,CHIP;0.0050nF,0.25pF,50V,NP0,	1		SA	MR11	2007-000097	R-CHIP;47Kohm,5%,1/10W,TP,1608	1		SA
MC86	2203-006361	C-CER,CHIP;1000nF,10%,10V,X5R,TP,2	1		SA	MR110	2007-000084	R-CHIP;4.7Kohm,5%,1/10W,TP,1608	1		SA
MC87	2203-000440	C-CER,CHIP;1nF,10%,50V,X7R,1608	1		SA	MR112	2007-000084	R-CHIP;4.7Kohm,5%,1/10W,TP,1608	1		SA
MC88	2203-006361	C-CER,CHIP;1000nF,10%,10V,X5R,TP,2	1		SA	MR115	2007-000084	R-CHIP;4.7Kohm,5%,1/10W,TP,1608	1		SA
MC9	2203-006361	C-CER,CHIP;1000nF,10%,10V,X5R,TP,2	1		SA	MR117	2007-000084	R-CHIP;4.7Kohm,5%,1/10W,TP,1608	1		SA
MC93	2203-000681	C-CER,CHIP;0.027nF,5%,50V,C0G,1608	1		SA	MR119	2007-000107	R-CHIP;470Kohm,5%,1/10W,TP,1608	1		SA
MC96	2203-000646	C-CER,CHIP;0.024nF,5%,50V,C0G,TP,16	1		SA	MR12	2007-000097	R-CHIP;47Kohm,5%,1/10W,TP,1608	1		SA
MC98	2203-005148	C-CER,CHIP;100nF,10%,16V,X7R,TP,160	1		SA	MR120	2007-000090	R-CHIP;10Kohm,5%,1/10W,TP,1608	1		SA
MD1	0401-001090	DIODE-SWITCHING;1SS355,80V,100MA,SO	1		SA	MR121	2011-001344	R-NETWORK;100ohm,5%,1/16W,L,CHIP,8P	1		SNA
MD16	0407-000116	DIODE-ARRAY;KDS181, DAP202K,80V,100	1		SA	MR122	2007-000052	R-CHIP;10Kohm,1%,1/10W,TP,1608	1		SA
MD2	0402-000309	DIODE-RECTIFIER;1SR154-400,400V,1A,	1		SA	MR123	2007-000113	R-CHIP;33ohm,5%,1/10W,TP,1608	1		SA
MD3	0402-000309	DIODE-RECTIFIER;1SR154-400,400V,1A,	1		SA	MR124	2007-000119	R-CHIP;560ohm,5%,1/10W,TP,1608	1		SA
MD5	0401-001090	DIODE-SWITCHING;1SS355,80V,100MA,SO	1		SA	MR125	2011-001344	R-NETWORK;100ohm,5%,1/16W,L,CHIP,8P	1		SNA
MD6	0404-001089	DIODE-SCHOTTKY;RB551V-30,20V,500MA,	1		SA	MR126	2007-000074	R-CHIP;100ohm,5%,1/10W,TP,1608	1		SA
MIC1	1204-002989	IC-PAL/NTSC DECODER;ES8391SCCB,LQFP	1		SA	MR127	2011-001344	R-NETWORK;100ohm,5%,1/16W,L,CHIP,8P	1		SNA
MIC2	1105-001573	IC-DRAM;K4S281632,-,128Mbit,8Mx16Bi	1		SA	MR128	2007-000092	R-CHIP;15Kohm,5%,1/10W,TP,1608	1		SA
MIC3	1107-001600	IC-NOR FLASH;MX25L1605A,16Mbit,2Mx8	1		SA	MR129	2011-001344	R-NETWORK;100ohm,5%,1/16W,L,CHIP,8P	1		SNA
MIC4	1003-001978	IC-MOTOR DRIVER;AM5766,HSOP28H,28P,	1		SA	MR13	2007-000106	R-CHIP;220Kohm,5%,1/10W,TP,1608	1		SA
MIC6	1103-001333	IC-EEPROM;24C08A,8Kbit,1Kx8,SOP,8P,	1		SA	MR130	2007-000092	R-CHIP;15Kohm,5%,1/10W,TP,1608	1		SA
MIC8	1201-001842	IC-OP AMP;TL3472CD,SO,TP,8P,-,DUAL,	1		SA	MR132	2011-001344	R-NETWORK;100ohm,5%,1/16W,L,CHIP,8P	1		SNA
ML1	3301-001495	BEAD-SMD;120ohm,2012,2500mA,TP,115o	1		SA	MR133	2007-000074	R-CHIP;100ohm,5%,1/10W,TP,1608	1		SA
ML10	3301-001495	BEAD-SMD;120ohm,2012,2500mA,TP,115o	1		SA	MR134	2007-000402	R-CHIP;150ohm,5%,1/10W,TP,1608	1		SA
ML12	3301-001495	BEAD-SMD;120ohm,2012,2500mA,TP,115o	1		SA	MR135	2007-000113	R-CHIP;33ohm,5%,1/10W,TP,1608	1		SA
ML13	2703-003362	INDUCTOR-SMD;4.7uH,20%,7070	1		SA						

Exploded View & Part List

Loc. No.	Part No.	Description;Specification	Q'ty	SNA	Remark	Loc. No.	Part No.	Description;Specification	Q'ty	SNA	Remark
MR136	2011-001261	R-NETWORK;33ohm,5%,1/16W,L,CHIP,8P,	1		SA	MR212	2007-000070	R-CHIP;0ohm,5%,1/10W,TP,1608	1		SA
MR137	2007-000113	R-CHIP;33ohm,5%,1/10W,TP,1608	1		SA	MR213	2007-000070	R-CHIP;0ohm,5%,1/10W,TP,1608	1		SA
MR138	2007-000113	R-CHIP;33ohm,5%,1/10W,TP,1608	1		SA	MR214	2007-000070	R-CHIP;0ohm,5%,1/10W,TP,1608	1		SA
MR140	2011-001261	R-NETWORK;33ohm,5%,1/16W,L,CHIP,8P,	1		SA	MR22	2007-000097	R-CHIP;47Kohm,5%,1/10W,TP,1608	1		SA
MR141	2007-000102	R-CHIP;100Kohm,5%,1/10W,TP,1608	1		SA	MR23	2007-000084	R-CHIP;4.7Kohm,5%,1/10W,TP,1608	1		SA
MR142	2007-000113	R-CHIP;33ohm,5%,1/10W,TP,1608	1		SA	MR24	2007-000078	R-CHIP;1Kohm,5%,1/10W,TP,1608	1		SA
MR144	2007-000113	R-CHIP;33ohm,5%,1/10W,TP,1608	1		SA	MR25	2007-000070	R-CHIP;0ohm,5%,1/10W,TP,1608	1		SA
MR145	2007-000113	R-CHIP;33ohm,5%,1/10W,TP,1608	1		SA	MR26	2007-000683	R-CHIP;3.3Kohm,1%,1/10W,TP,1608	1		SA
MR146	2007-000113	R-CHIP;33ohm,5%,1/10W,TP,1608	1		SA	MR27	2007-000084	R-CHIP;4.7Kohm,5%,1/10W,TP,1608	1		SA
MR148	2007-000113	R-CHIP;33ohm,5%,1/10W,TP,1608	1		SA	MR28	2007-000090	R-CHIP;10Kohm,5%,1/10W,TP,1608	1		SA
MR15	2007-000084	R-CHIP;4.7Kohm,5%,1/10W,TP,1608	1		SA	MR29	2007-000309	R-CHIP;10ohm,5%,1/10W,TP,1608	1		SA
MR152	2007-000109	R-CHIP;1Mohm,5%,1/10W,TP,1608	1		SA	MR3	2007-000070	R-CHIP;0ohm,5%,1/10W,TP,1608	1		SA
MR155	2007-000133	R-CHIP;330Kohm,5%,1/10W,TP,1608	1		SA	MR30	2007-000097	R-CHIP;47Kohm,5%,1/10W,TP,1608	1		SA
MR158	2007-000097	R-CHIP;47Kohm,5%,1/10W,TP,1608	1		SA	MR31	2007-000309	R-CHIP;10ohm,5%,1/10W,TP,1608	1		SA
MR16	2007-000078	R-CHIP;1Kohm,5%,1/10W,TP,1608	1		SA	MR32	2007-000097	R-CHIP;47Kohm,5%,1/10W,TP,1608	1		SA
MR162	2007-000113	R-CHIP;33ohm,5%,1/10W,TP,1608	1		SA	MR33	2007-000074	R-CHIP;100ohm,5%,1/10W,TP,1608	1		SA
MR163	2007-000072	R-CHIP;47ohm,5%,1/10W,TP,1608	1		SA	MR34	2007-000074	R-CHIP;100ohm,5%,1/10W,TP,1608	1		SA
MR164	2007-000090	R-CHIP;10Kohm,5%,1/10W,TP,1608	1		SA	MR35	2007-000078	R-CHIP;1Kohm,5%,1/10W,TP,1608	1		SA
MR165	2007-000113	R-CHIP;33ohm,5%,1/10W,TP,1608	1		SA	MR36	2007-000071	R-CHIP;22ohm,5%,1/10W,TP,1608	1		SA
MR166	2007-000113	R-CHIP;33ohm,5%,1/10W,TP,1608	1		SA	MR37	2007-000090	R-CHIP;10Kohm,5%,1/10W,TP,1608	1		SA
MR167	2007-000118	R-CHIP;390ohm,5%,1/10W,TP,1608	1		SA	MR38	2007-000070	R-CHIP;0ohm,5%,1/10W,TP,1608	1		SA
MR168	2007-000118	R-CHIP;390ohm,5%,1/10W,TP,1608	1		SA	MR40	2007-000504	R-CHIP;2.2ohm,5%,1/4W,TP,3216	1		SA
MR169	2011-001261	R-NETWORK;33ohm,5%,1/16W,L,CHIP,8P,	1		SA	MR41	2007-000074	R-CHIP;100ohm,5%,1/10W,TP,1608	1		SA
MR17	2007-000078	R-CHIP;1Kohm,5%,1/10W,TP,1608	1		SA	MR42	2007-002425	R-CHIP;1ohm,5%,1/10W,TP,1608	1		SA
MR170	2007-000074	R-CHIP;100ohm,5%,1/10W,TP,1608	1		SA	MR43	2007-000078	R-CHIP;1Kohm,5%,1/10W,TP,1608	1		SA
MR171	2007-000074	R-CHIP;100ohm,5%,1/10W,TP,1608	1		SA	MR47	2007-000074	R-CHIP;100ohm,5%,1/10W,TP,1608	1		SA
MR172	2007-000074	R-CHIP;100ohm,5%,1/10W,TP,1608	1		SA	MR48	2007-000078	R-CHIP;1Kohm,5%,1/10W,TP,1608	1		SA
MR173	2007-000074	R-CHIP;100ohm,5%,1/10W,TP,1608	1		SA	MR49	2007-000078	R-CHIP;1Kohm,5%,1/10W,TP,1608	1		SA
MR174	2007-000070	R-CHIP;0ohm,5%,1/10W,TP,1608	1		SA	MR5	2007-000106	R-CHIP;220Kohm,5%,1/10W,TP,1608	1		SA
MR177	2007-000084	R-CHIP;4.7Kohm,5%,1/10W,TP,1608	1		SA	MR50	2007-000074	R-CHIP;100ohm,5%,1/10W,TP,1608	1		SA
MR178	2007-000084	R-CHIP;4.7Kohm,5%,1/10W,TP,1608	1		SA	MR51	2007-000078	R-CHIP;1Kohm,5%,1/10W,TP,1608	1		SA
MR179	2007-000074	R-CHIP;100ohm,5%,1/10W,TP,1608	1		SA	MR52	2007-000094	R-CHIP;22Kohm,5%,1/10W,TP,1608	1		SA
MR180	2007-000090	R-CHIP;10Kohm,5%,1/10W,TP,1608	1		SA	MR53	2007-000087	R-CHIP;6.8Kohm,5%,1/10W,TP,1608	1		SA
MR181	2007-000081	R-CHIP;2.7Kohm,5%,1/10W,TP,1608	1		SA	MR54	2007-000090	R-CHIP;10Kohm,5%,1/10W,TP,1608	1		SA
MR182	2007-000078	R-CHIP;1Kohm,5%,1/10W,TP,1608	1		SA	MR55	2007-000074	R-CHIP;100ohm,5%,1/10W,TP,1608	1		SA
MR183	2007-000113	R-CHIP;33ohm,5%,1/10W,TP,1608	1		SA	MR56	2007-000094	R-CHIP;22Kohm,5%,1/10W,TP,1608	1		SA
MR184	2007-000090	R-CHIP;10Kohm,5%,1/10W,TP,1608	1		SA	MR57	2007-000097	R-CHIP;47Kohm,5%,1/10W,TP,1608	1		SA
MR185	2007-000309	R-CHIP;10ohm,5%,1/10W,TP,1608	1		SA	MR58	2007-000078	R-CHIP;1Kohm,5%,1/10W,TP,1608	1		SA
MR186	2007-000309	R-CHIP;10ohm,5%,1/10W,TP,1608	1		SA	MR59	2007-000090	R-CHIP;10Kohm,5%,1/10W,TP,1608	1		SA
MR187	2007-000309	R-CHIP;10ohm,5%,1/10W,TP,1608	1		SA	MR5A	2007-000039	R-CHIP;0ohm,5%,1/10W,TP,1608	1		SA
MR188	2007-000309	R-CHIP;10ohm,5%,1/10W,TP,1608	1		SA	MR6	2007-000074	R-CHIP;100ohm,5%,1/10W,TP,1608	1		SA
MR189	2007-000309	R-CHIP;10ohm,5%,1/10W,TP,1608	1		SA	MR60	2007-000074	R-CHIP;100ohm,5%,1/10W,TP,1608	1		SA
MR19	2007-000071	R-CHIP;22ohm,5%,1/10W,TP,1608	1		SA	MR61	2007-000078	R-CHIP;1Kohm,5%,1/10W,TP,1608	1		SA
MR190	2011-001344	R-NETWORK;100ohm,5%,1/16W,L,CHIP,8P	1		SNA	MR62	2007-000074	R-CHIP;100ohm,5%,1/10W,TP,1608	1		SA
MR191	2011-001344	R-NETWORK;100ohm,5%,1/16W,L,CHIP,8P	1		SNA	MR63	2007-000074	R-CHIP;100ohm,5%,1/10W,TP,1608	1		SA
MR195	2007-000052	R-CHIP;10Kohm,1%,1/10W,TP,1608	1		SA	MR64	2007-000070	R-CHIP;0ohm,5%,1/10W,TP,1608	1		SA
MR196	2007-000129	R-CHIP;27Kohm,5%,1/10W,TP,1608	1		SA	MR66	2007-000078	R-CHIP;1Kohm,5%,1/10W,TP,1608	1		SA
MR197	2007-000122	R-CHIP;1.2Kohm,5%,1/10W,TP,1608	1		SA	MR67	2007-000092	R-CHIP;15Kohm,5%,1/10W,TP,1608	1		SA
MR2	2007-000070	R-CHIP;0ohm,5%,1/10W,TP,1608	1		SA	MR68	2007-000130	R-CHIP;39Kohm,5%,1/10W,TP,1608	1		SA
MR20	2007-000074	R-CHIP;100ohm,5%,1/10W,TP,1608	1		SA	MR69	2007-000078	R-CHIP;1Kohm,5%,1/10W,TP,1608	1		SA
MR200	2007-000074	R-CHIP;100ohm,5%,1/10W,TP,1608	1		SA	MR7	2007-000074	R-CHIP;100ohm,5%,1/10W,TP,1608	1		SA
MR201	2007-000113	R-CHIP;33ohm,5%,1/10W,TP,1608	1		SA	MR70	2007-000060	R-CHIP;100Kohm,1%,1/10W,TP,1608	1		SA
MR202	2007-000113	R-CHIP;33ohm,5%,1/10W,TP,1608	1		SA	MR71	2007-000060	R-CHIP;100Kohm,1%,1/10W,TP,1608	1		SA
MR208	2007-000309	R-CHIP;10ohm,5%,1/10W,TP,1608	1		SA	MR72	2007-000098	R-CHIP;56Kohm,5%,1/10W,TP,1608	1		SA
MR209	2007-000309	R-CHIP;10ohm,5%,1/10W,TP,1608	1		SA	MR73	2007-000077	R-CHIP;470ohm,5%,1/10W,TP,1608	1		SA
MR21	2007-000504	R-CHIP;2.2ohm,5%,1/4W,TP,3216	1		SA	MR74	2007-000078	R-CHIP;1Kohm,5%,1/10W,TP,1608	1		SA
MR210	2007-000070	R-CHIP;0ohm,5%,1/10W,TP,1608	1		SA	MR75	2007-000060	R-CHIP;100Kohm,1%,1/10W,TP,1608	1		SA
MR211	2007-000070	R-CHIP;0ohm,5%,1/10W,TP,1608	1		SA	MR76	2007-000113	R-CHIP;33ohm,5%,1/10W,TP,1608	1		SA
						MR77	2007-000060	R-CHIP;100Kohm,1%,1/10W,TP,1608	1		SA

Loc. No.	Part No.	Description;Specification	Q'ty	SNA	Remark	Loc. No.	Part No.	Description;Specification	Q'ty	SNA	Remark
MR78	2007-000074	R-CHIP;100ohm,5%,1/10W,TP,1608	1	SA		PWMC37	2203-006361	C-CER,CHIP;1000nF,10%,10V,X5R,TP,2	1	SA	
MR79	2007-000074	R-CHIP;100ohm,5%,1/10W,TP,1608	1	SA		PWMC4	2203-005249	C-CER,CHIP;100nF,10%,50V,X7R,TP,160	1	SA	
MR8	2007-000070	R-CHIP;0ohm,5%,1/10W,TP,1608	1	SA		PWMC40	2203-005249	C-CER,CHIP;100nF,10%,50V,X7R,TP,160	1	SA	
MR80	2007-000124	R-CHIP;2.2Kohm,5%,1/10W,TP,1608	1	SA		PWMC41	2203-005249	C-CER,CHIP;100nF,10%,50V,X7R,TP,160	1	SA	
MR81	2007-000458	R-CHIP;18Kohm,5%,1/10W,TP,1608	1	SA		PWMC42	2203-005249	C-CER,CHIP;100nF,10%,50V,X7R,TP,160	1	SA	
MR82	2007-000084	R-CHIP;4.7Kohm,5%,1/10W,TP,1608	1	SA		PWMC44	2203-000236	C-CER,CHIP;0.1nF,5%,50V,C0G,1608	1	SA	
MR83	2007-000084	R-CHIP;4.7Kohm,5%,1/10W,TP,1608	1	SA		PWMC5	2203-005249	C-CER,CHIP;100nF,10%,50V,X7R,TP,160	1	SA	
MR84	2007-000109	R-CHIP;1Mohm,5%,1/10W,TP,1608	1	SA		PWMC50	2203-005249	C-CER,CHIP;100nF,10%,50V,X7R,TP,160	1	SA	
MR85	2007-000094	R-CHIP;22Kohm,5%,1/10W,TP,1608	1	SA		PWMC51	2203-000236	C-CER,CHIP;0.1nF,5%,50V,C0G,1608	1	SA	
MR86	2007-000090	R-CHIP;10Kohm,5%,1/10W,TP,1608	1	SA		PWMC52	2203-005249	C-CER,CHIP;100nF,10%,50V,X7R,TP,160	1	SA	
MR9	2007-000070	R-CHIP;0ohm,5%,1/10W,TP,1608	1	SA		PWMC53	2203-005249	C-CER,CHIP;100nF,10%,50V,X7R,TP,160	1	SA	
MR94	2007-000120	R-CHIP;680ohm,5%,1/10W,TP,1608	1	SA		PWMC54	2203-005249	C-CER,CHIP;100nF,10%,50V,X7R,TP,160	1	SA	
MR95	2007-000078	R-CHIP;1Kohm,5%,1/10W,TP,1608	1	SA		PWMC55	2203-000646	C-CER,CHIP;0.024NF,5%,50V,C0G,TP,16	1	SA	
MR96	2007-000090	R-CHIP;10Kohm,5%,1/10W,TP,1608	1	SA		PWMC57	2203-005249	C-CER,CHIP;100nF,10%,50V,X7R,TP,160	1	SA	
MR97	2007-000090	R-CHIP;10Kohm,5%,1/10W,TP,1608	1	SA		PWMC58	2203-005249	C-CER,CHIP;100nF,10%,50V,X7R,TP,160	1	SA	
MR98	2007-000082	R-CHIP;3.3Kohm,5%,1/10W,TP,1608	1	SA		PWMC59	2203-000646	C-CER,CHIP;0.024NF,5%,50V,C0G,TP,16	1	SA	
MR99	2007-000122	R-CHIP;1.2Kohm,5%,1/10W,TP,1608	1	SA		PWMC60	2203-005249	C-CER,CHIP;100nF,10%,50V,X7R,TP,160	1	SA	
MX01	2801-004284	CRYSTAL-SMD;27MHZ,10PPM,28-AAN,20PF	1	SA		PWMC61	2203-005249	C-CER,CHIP;100nF,10%,50V,X7R,TP,160	1	SA	
ODR1	2007-000070	R-CHIP;0ohm,5%,1/10W,TP,1608	1	SA		PWMC65	2203-005249	C-CER,CHIP;100nF,10%,50V,X7R,TP,160	1	SA	
ODR2	2007-000070	R-CHIP;0ohm,5%,1/10W,TP,1608	1	SA		PWMC66	2203-005249	C-CER,CHIP;100nF,10%,50V,X7R,TP,160	1	SA	
OHPR1	2007-000070	R-CHIP;0ohm,5%,1/10W,TP,1608	1	SA		PWMC67	2203-005249	C-CER,CHIP;100nF,10%,50V,X7R,TP,160	1	SA	
OKC1	2203-005148	C-CER,CHIP;100nF,10%,16V,X7R,TP,160	1	SA		PWMC68	2203-005249	C-CER,CHIP;100nF,10%,50V,X7R,TP,160	1	SA	
OKR1	2007-000070	R-CHIP;0ohm,5%,1/10W,TP,1608	1	SA		PWMC8	2203-005249	C-CER,CHIP;100nF,10%,50V,X7R,TP,160	1	SA	
OKR3	2007-000070	R-CHIP;0ohm,5%,1/10W,TP,1608	1	SA		PWMD1	0401-001090	DIODE-SWITCHING;1SS355,80V,100MA,SO	1	SA	
OMR34	2007-000090	R-CHIP;10Kohm,5%,1/10W,TP,1608	1	SA		PWMIC1	1204-002969	IC-MODULATOR;PS9831,TQFP,100P,14x14	1	SA	
OPTR4	2007-000076	R-CHIP;330ohm,5%,1/10W,TP,1608	1	SA		PWMIC2	1203-001212	IC-VOL. DETECTOR;7029,SOT-89,3P,-P	1	SA	
OUR1	2007-000102	R-CHIP;100Kohm,5%,1/10W,TP,1608	1	SA		PWMIC4	1201-000163	IC-OP AMP;4560,SOP,8P,173ML,DUAL,1	1	SA	
OUR2	2007-000102	R-CHIP;100Kohm,5%,1/10W,TP,1608	1	SA		PWML2	3301-001495	BEAD-SMD;120ohm,2012,2500mA,TP,115o	1	SA	
OUR3	2007-000102	R-CHIP;100Kohm,5%,1/10W,TP,1608	1	SA		PWML3	3301-001495	BEAD-SMD;120ohm,2012,2500mA,TP,115o	1	SA	
PCN1	AH39-01038A	WIRE HARNESS;HT-X725,13P-13B F.L/W	1	SA		PWML4	2703-000404	INDUCTOR-SMD;220uH,10%,3225	1	SA	
PIC1	1203-002935	IC-POS1.ADJUST REG.;AIC1117ACE,TO-2	1	SA		PWML5	2703-000404	INDUCTOR-SMD;220uH,10%,3225	1	SA	
PIC7	1203-002935	IC-POS1.ADJUST REG.;AIC1117ACE,TO-2	1	SA		PWML6	3301-001069	BEAD-SMD;120ohm,1.6x0.8x0.8mm,200mA	1	SA	
PWMC1	2402-001042	C-AL,SMD;100uF,20%,16V,GP,TP,6.6x6.6	1	SA		PWML7	3301-001069	BEAD-SMD;120ohm,1.6x0.8x0.8mm,200mA	1	SA	
PWMC10	2203-005249	C-CER,CHIP;100nF,10%,50V,X7R,TP,160	1	SA		PWML8	3301-001069	BEAD-SMD;120ohm,1.6x0.8x0.8mm,200mA	1	SA	
PWMC11	2203-006361	C-CER,CHIP;1000nF,10%,10V,X5R,TP,2	1	SA		PWMR1	2007-007790	R-CHIP;20ohm,1%,1W,TP,6432	1	SA	
PWMC13	2402-000120	C-AL,SMD;10uF,20%,50V,GP,TP,6.6x6.6	1	SA		PWMR10	2007-000113	R-CHIP;33ohm,5%,1/10W,TP,1608	1	SA	
PWMC14	2203-000236	C-CER,CHIP;0.1nF,5%,50V,C0G,1608	1	SA		PWMR16	2007-000132	R-CHIP;180Kohm,5%,1/10W,TP,1608	1	SA	
PWMC15	2203-000236	C-CER,CHIP;0.1nF,5%,50V,C0G,1608	1	SA		PWMR17	2007-000102	R-CHIP;100Kohm,5%,1/10W,TP,1608	1	SA	
PWMC17	2402-001042	C-AL,SMD;100uF,20%,16V,GP,TP,6.6x6.6	1	SA		PWMR18	2007-000132	R-CHIP;180Kohm,5%,1/10W,TP,1608	1	SA	
PWMC18	2402-001042	C-AL,SMD;100uF,20%,16V,GP,TP,6.6x6.6	1	SA		PWMR19	2007-000097	R-CHIP;47Kohm,5%,1/10W,TP,1608	1	SA	
PWMC19	2203-000998	C-CER,CHIP;0.047nF,5%,50V,C0G,1608	1	SA		PWMR2	2007-007790	R-CHIP;20ohm,1%,1W,TP,6432	1	SA	
PWMC2	2203-005249	C-CER,CHIP;100nF,10%,50V,X7R,TP,160	1	SA		PWMR22	2007-000097	R-CHIP;47Kohm,5%,1/10W,TP,1608	1	SA	
PWMC20	2203-000998	C-CER,CHIP;0.047nF,5%,50V,C0G,1608	1	SA		PWMR3	2007-000132	R-CHIP;180Kohm,5%,1/10W,TP,1608	1	SA	
PWMC21	2203-006361	C-CER,CHIP;1000nF,10%,10V,X5R,TP,2	1	SA		PWMR31	2007-000052	R-CHIP;10Kohm,1%,1/10W,TP,1608	1	SA	
PWMC22	2203-000998	C-CER,CHIP;0.047nF,5%,50V,C0G,1608	1	SA		PWMR32	2007-000052	R-CHIP;10Kohm,1%,1/10W,TP,1608	1	SA	
PWMC24	2203-006361	C-CER,CHIP;1000nF,10%,10V,X5R,TP,2	1	SA		PWMR33	2007-000094	R-CHIP;22Kohm,5%,1/10W,TP,1608	1	SA	
PWMC25	2203-000236	C-CER,CHIP;0.1nF,5%,50V,C0G,1608	1	SA		PWMR34	2007-000052	R-CHIP;10Kohm,1%,1/10W,TP,1608	1	SA	
PWMC26	2203-005249	C-CER,CHIP;100nF,10%,50V,X7R,TP,160	1	SA		PWMR38	2007-000052	R-CHIP;10Kohm,1%,1/10W,TP,1608	1	SA	
PWMC27	2203-005249	C-CER,CHIP;100nF,10%,50V,X7R,TP,160	1	SA		PWMR39	2007-000102	R-CHIP;100Kohm,5%,1/10W,TP,1608	1	SA	
PWMC28	2203-005249	C-CER,CHIP;100nF,10%,50V,X7R,TP,160	1	SA		PWMR4	2007-000309	R-CHIP;10ohm,5%,1/10W,TP,1608	1	SA	
PWMC29	2203-000236	C-CER,CHIP;0.1nF,5%,50V,C0G,1608	1	SA		PWMR40	2007-000094	R-CHIP;22Kohm,5%,1/10W,TP,1608	1	SA	
PWMC30	2203-000998	C-CER,CHIP;0.047nF,5%,50V,C0G,1608	1	SA		PWMR44	2007-000094	R-CHIP;22Kohm,5%,1/10W,TP,1608	1	SA	
PWMC31	2203-006361	C-CER,CHIP;1000nF,10%,10V,X5R,TP,2	1	SA		PWMR47	2007-000094	R-CHIP;22Kohm,5%,1/10W,TP,1608	1	SA	
PWMC32	2203-006361	C-CER,CHIP;1000nF,10%,10V,X5R,TP,2	1	SA		PWMR48	2007-000094	R-CHIP;22Kohm,5%,1/10W,TP,1608	1	SA	
PWMC33	2203-000236	C-CER,CHIP;0.1nF,5%,50V,C0G,1608	1	SA		PWMR5	2007-000077	R-CHIP;470ohm,5%,1/10W,TP,1608	1	SA	
PWMC34	2203-000236	C-CER,CHIP;0.1nF,5%,50V,C0G,1608	1	SA		PWMR50	2007-000109	R-CHIP;1Mohm,5%,1/10W,TP,1608	1	SA	
PWMC35	2203-005249	C-CER,CHIP;100nF,10%,50V,X7R,TP,160	1	SA		PWMR51	2007-000116	R-CHIP;120ohm,5%,1/10W,TP,1608	1	SA	
PWMC36	2203-005249	C-CER,CHIP;100nF,10%,50V,X7R,TP,160	1	SA		PWMR52	2011-001344	R-NETWORK;100ohm,5%,1/16W,L,CHIP,8P	1	SNA	

Exploded View & Part List

Loc. No.	Part No.	Description;Specification	Q'ty	SNA	Remark	Loc. No.	Part No.	Description;Specification	Q'ty	SNA	Remark
PWMR6	2007-000052	R-CHIP;10Kohm,1%,1/10W,TP,1608	1		SA	UD6	0401-001090	DIODE-SWITCHING;1SS355,80V,100MA,SO	1		SA
PWMR7	2007-000113	R-CHIP;33ohm,5%,1/10W,TP,1608	1		SA	UD7	0401-001090	DIODE-SWITCHING;1SS355,80V,100MA,SO	1		SA
PWMR8	2007-000132	R-CHIP;180Kohm,5%,1/10W,TP,1608	1		SA	UD8	0402-000309	DIODE-RECTIFIER;1SR154-400,400V,1A,	1		SA
PWMR9	2007-000052	R-CHIP;10Kohm,1%,1/10W,TP,1608	1		SA	UD9	0402-000309	DIODE-RECTIFIER;1SR154-400,400V,1A,	1		SA
RCN1	3708-000491	CONNECTOR-FPC/FFC/PIC;23P,1mm,STRAI	1		SA	UIC1	0903-001565	IC-MICROCONTROLLER;LC875NC8AVU,QFP	1		SA
RCN2	3708-001439	CONNECTOR-FPC/FFC/PIC;4P,1mm,STRAIG	1		SA	UIC2	1103-001333	IC-EEPROM;24C08A,8Kbit,1Kx8,SOP,8P,	1		SA
RCN3	3708-001928	CONNECTOR-FPC/FFC/PIC;5P,1mm,STRAIG	1		SA	UIC3	1203-000523	IC-VOL. DETECTOR;7039,SOT-89,4P,PLA	1		SA
SCREW-HS	6003-001375	SCREW-TAPTYPE,BH,+,-,B,M3,L8,ZPC(WH	2		SNA	UIC4	0505-001170	FET-SILICON;SI9933ADY-T1,P,-20V,3,4	1		SA
TC1	2203-006361	C-CER,CHIP;1000nF,10%,10V,X5R,TP,2	1		SA	UIC5	1203-005188	IC-DC/DC CONVERTER;AOZ1021AIL,SOP,8	1		SA
TL1	3301-001495	BEAD-SMD;120ohm,2012,2500mA,TP,115o	1		SA	UL1	3301-001495	BEAD-SMD;120ohm,2012,2500mA,TP,115o	1		SA
TL2	3301-001495	BEAD-SMD;120ohm,2012,2500mA,TP,115o	1		SA	UL10	3301-001495	BEAD-SMD;120ohm,2012,2500mA,TP,115o	1		SA
TPIC1	1203-002835	IC-POSIFIXED REG.;KIA7805AF,DPAK,3	1		SA	UL11	3301-001495	BEAD-SMD;120ohm,2012,2500mA,TP,115o	1		SA
TR1	2007-002425	R-CHIP;1ohm,5%,1/10W,TP,1608	1		SA	UL12	3301-001495	BEAD-SMD;120ohm,2012,2500mA,TP,115o	1		SA
UC1	2203-005249	C-CER,CHIP;100nF,10%,50V,X7R,TP,160	1		SA	UL13	3301-001495	BEAD-SMD;120ohm,2012,2500mA,TP,115o	1		SA
UC10	2203-000440	C-CER,CHIP;1nF,10%,50V,X7R,1608	1		SA	UL14	3301-001495	BEAD-SMD;120ohm,2012,2500mA,TP,115o	1		SA
UC11	2203-000440	C-CER,CHIP;1nF,10%,50V,X7R,1608	1		SA	UL15	3301-001495	BEAD-SMD;120ohm,2012,2500mA,TP,115o	1		SA
UC12	2203-000189	C-CER,CHIP;100nF,+80-20%,25V,Y5V,16	1		SA	UL16	3301-001495	BEAD-SMD;120ohm,2012,2500mA,TP,115o	1		SA
UC13	2203-006361	C-CER,CHIP;1000nF,10%,10V,X5R,TP,2	1		SA	UL18	3301-001495	BEAD-SMD;120ohm,2012,2500mA,TP,115o	1		SA
UC14	2203-000189	C-CER,CHIP;100nF,+80-20%,25V,Y5V,16	1		SA	UL19	3301-001495	BEAD-SMD;120ohm,2012,2500mA,TP,115o	1		SA
UC15	2203-006361	C-CER,CHIP;1000nF,10%,10V,X5R,TP,2	1		SA	UL2	3301-001495	BEAD-SMD;120ohm,2012,2500mA,TP,115o	1		SA
UC16	2402-001070	C-AL,SMD;470uF,20%,16V,GP,TP,10x10.	1		SA	UL21	3301-001495	BEAD-SMD;120ohm,2012,2500mA,TP,115o	1		SA
UC17	2203-005148	C-CER,CHIP;100nF,10%,16V,X7R,TP,160	1		SA	UL22	3301-001495	BEAD-SMD;120ohm,2012,2500mA,TP,115o	1		SA
UC2	2203-005148	C-CER,CHIP;100nF,10%,16V,X7R,TP,160	1		SA	UL3	3301-001495	BEAD-SMD;120ohm,2012,2500mA,TP,115o	1		SA
UC22	2203-000236	C-CER,CHIP;0.1nF,5%,50V,C0G,1608	1		SA	UL4	3301-001495	BEAD-SMD;120ohm,2012,2500mA,TP,115o	1		SA
UC23	2203-000236	C-CER,CHIP;0.1nF,5%,50V,C0G,1608	1		SA	UL5	3301-001495	BEAD-SMD;120ohm,2012,2500mA,TP,115o	1		SA
UC25	2203-005249	C-CER,CHIP;100nF,10%,50V,X7R,TP,160	1		SA	UL6	3301-001495	BEAD-SMD;120ohm,2012,2500mA,TP,115o	1		SA
UC27	2203-005148	C-CER,CHIP;100nF,10%,16V,X7R,TP,160	1		SA	UL7	2703-003362	INDUCTOR-SMD;4.7uH,20%,7070	1		SA
UC3	2203-006361	C-CER,CHIP;1000nF,10%,10V,X5R,TP,2	1		SA	UL8	2703-003362	INDUCTOR-SMD;4.7uH,20%,7070	1		SA
UC30	2203-001607	C-CER,CHIP;0.22nF,5%,50V,NP0,1608	1		SA	UL9	3301-001495	BEAD-SMD;120ohm,2012,2500mA,TP,115o	1		SA
UC31	2203-001607	C-CER,CHIP;0.22nF,5%,50V,NP0,1608	1		SA	UQ1	0504-000128	TR-DIGITAL,-,NPN,200MW,22K/22K,SOT-	1		SA
UC32	2203-001607	C-CER,CHIP;0.22nF,5%,50V,NP0,1608	1		SA	UQ10	0501-000002	TR-SMALL SIGNAL;KSA812,P,NP,150MW,SO	1		SA
UC34	2203-000257	C-CER,CHIP;10nF,10%,50V,X7R,TP,1608	1		SA	UQ2	0504-000156	TR-DIGITAL;KSR2103,P,NP,200MW,22K/22	1		SA
UC37	2203-005148	C-CER,CHIP;100nF,10%,16V,X7R,TP,160	1		SA	UQ3	0501-002184	TR-SMALL SIGNAL;KTD1304,NPN,200mW,S	1		SA
UC39	2203-005148	C-CER,CHIP;100nF,10%,16V,X7R,TP,160	1		SA	UQ4	0501-002184	TR-SMALL SIGNAL;KTD1304,NPN,200mW,S	1		SA
UC4	2203-005249	C-CER,CHIP;100nF,10%,50V,X7R,TP,160	1		SA	UQ6	0504-000156	TR-DIGITAL;KSR2103,P,NP,200MW,22K/22	1		SA
UC40	2203-006361	C-CER,CHIP;1000nF,10%,10V,X5R,TP,2	1		SA	UQ7	0501-002184	TR-SMALL SIGNAL;KTD1304,NPN,200mW,S	1		SA
UC41	2203-005148	C-CER,CHIP;100nF,10%,16V,X7R,TP,160	1		SA	UQ9	0504-000156	TR-DIGITAL;KSR2103,P,NP,200MW,22K/22	1		SA
UC42	2203-005148	C-CER,CHIP;100nF,10%,16V,X7R,TP,160	1		SA	UR1	2007-000451	R-CHIP;180ohm,5%,1/4W,TP,3216	1		SA
UC44	2203-005148	C-CER,CHIP;100nF,10%,16V,X7R,TP,160	1		SA	UR10	2011-001344	R-NETWORK;100ohm,5%,1/16W,L,CHIP,8P	1		SNA
UC45	2203-000972	C-CER,CHIP;47nF,10%,16V,X7R,1608	1		SA	UR101	2007-000113	R-CHIP;33ohm,5%,1/10W,TP,1608	1		SA
UC46	2203-005148	C-CER,CHIP;100nF,10%,16V,X7R,TP,160	1		SA	UR102	2007-001044	R-CHIP;56ohm,5%,1/10W,TP,1608	1		SA
UC48	2203-005148	C-CER,CHIP;100nF,10%,16V,X7R,TP,160	1		SA	UR103	2007-000090	R-CHIP;10Kohm,5%,1/10W,TP,1608	1		SA
UC5	2203-005249	C-CER,CHIP;100nF,10%,50V,X7R,TP,160	1		SA	UR104	2007-000084	R-CHIP;4.7Kohm,5%,1/10W,TP,1608	1		SA
UC51	2402-001042	C-AL,SMD;100uF,20%,16V,GP,TP,6.6x6.	1		SA	UR105	2007-000090	R-CHIP;10Kohm,5%,1/10W,TP,1608	1		SA
UC52	2203-006361	C-CER,CHIP;1000nF,10%,10V,X5R,TP,2	1		SA	UR106	2007-000090	R-CHIP;10Kohm,5%,1/10W,TP,1608	1		SA
UC54	2402-001042	C-AL,SMD;100uF,20%,16V,GP,TP,6.6x6.	1		SA	UR107	2007-000090	R-CHIP;10Kohm,5%,1/10W,TP,1608	1		SA
UC6	2203-006361	C-CER,CHIP;1000nF,10%,10V,X5R,TP,2	1		SA	UR11	2007-000072	R-CHIP;47ohm,5%,1/10W,TP,1608	1		SA
UC7	2203-005819	C-CER,CHIP;1000nF,+80-20%,16V,Y5V,T	1		SA	UR12	2007-000074	R-CHIP;100ohm,5%,1/10W,TP,1608	1		SA
UC8	2203-006361	C-CER,CHIP;1000nF,10%,10V,X5R,TP,2	1		SA	UR13	2007-000074	R-CHIP;100ohm,5%,1/10W,TP,1608	1		SA
UC9	2203-000189	C-CER,CHIP;100nF,+80-20%,25V,Y5V,16	1		SA	UR14	2007-000074	R-CHIP;100ohm,5%,1/10W,TP,1608	1		SA
UD10	0401-001090	DIODE-SWITCHING;1SS355,80V,100MA,SO	1		SA	UR15	2007-000070	R-CHIP;0ohm,5%,1/10W,TP,1608	1		SA
UD11	0402-001427	DIODE-RECTIFIER;ES1D,200V,1A,DO-214	1		SA	UR16	2011-001344	R-NETWORK;100ohm,5%,1/16W,L,CHIP,8P	1		SNA
UD16	0401-001090	DIODE-SWITCHING;1SS355,80V,100MA,SO	1		SA	UR17	2011-000660	R-NETWORK;1Kohm,5%,1/16W,L,CHIP-V,8	1		SA
UD17	0401-001090	DIODE-SWITCHING;1SS355,80V,100MA,SO	1		SA	UR18	2011-001344	R-NETWORK;100ohm,5%,1/16W,L,CHIP,8P	1		SNA
UD18	0401-001090	DIODE-SWITCHING;1SS355,80V,100MA,SO	1		SA	UR19	2011-001344	R-NETWORK;100ohm,5%,1/16W,L,CHIP,8P	1		SNA
UD2	0406-001128	DIODE-TVS;MLVS-0603-E08,50V	1		SA	UR2	2007-000312	R-CHIP;10ohm,5%,1/4W,TP,3216	1		SA
UD3	0406-001128	DIODE-TVS;MLVS-0603-E08,50V	1		SA	UR20	2007-000070	R-CHIP;0ohm,5%,1/10W,TP,1608	1		SA
UD4	0402-000309	DIODE-RECTIFIER;1SR154-400,400V,1A,	1		SA	UR21	2007-000070	R-CHIP;0ohm,5%,1/10W,TP,1608	1		SA
UD5	0402-000309	DIODE-RECTIFIER;1SR154-400,400V,1A,	1		SA						

Loc. No.	Part No.	Description;Specification	Q'ty	SNA	Remark	Loc. No.	Part No.	Description;Specification	Q'ty	SNA	Remark
UR22	2007-000074	R-CHIP;100ohm,5%,1/10W,TP,1608	1		SA	UR82	2007-000090	R-CHIP;10Kohm,5%,1/10W,TP,1608	1		SA
UR23	2007-000417	R-CHIP;15ohm,5%,1/4W,TP,3216	1		SA	UR83	2007-000090	R-CHIP;10Kohm,5%,1/10W,TP,1608	1		SA
UR24	2011-001344	R-NETWORK;100ohm,5%,1/16W,L,CHIP,8P	1		SNA	UR85	2007-000123	R-CHIP;1.5Kohm,5%,1/10W,TP,1608	1		SA
UR25	2007-000074	R-CHIP;100ohm,5%,1/10W,TP,1608	1		SA	UR86	2007-000123	R-CHIP;1.5Kohm,5%,1/10W,TP,1608	1		SA
UR26	2007-000097	R-CHIP;47Kohm,5%,1/10W,TP,1608	1		SA	UR87	2007-000090	R-CHIP;10Kohm,5%,1/10W,TP,1608	1		SA
UR27	2007-000084	R-CHIP;4.7Kohm,5%,1/10W,TP,1608	1		SA	UR88	2007-000102	R-CHIP;100Kohm,5%,1/10W,TP,1608	1		SA
UR28	2007-000078	R-CHIP;1Kohm,5%,1/10W,TP,1608	1		SA	UR89	2007-000102	R-CHIP;100Kohm,5%,1/10W,TP,1608	1		SA
UR29	2007-000074	R-CHIP;100ohm,5%,1/10W,TP,1608	1		SA	UR9	2007-000070	R-CHIP;0ohm,5%,1/10W,TP,1608	1		SA
UR3	2007-000451	R-CHIP;180ohm,5%,1/4W,TP,3216	1		SA	UR90	2007-000097	R-CHIP;47Kohm,5%,1/10W,TP,1608	1		SA
UR30	2011-001344	R-NETWORK;100ohm,5%,1/16W,L,CHIP,8P	1		SNA	UR91	2007-000090	R-CHIP;10Kohm,5%,1/10W,TP,1608	1		SA
UR31	2011-001344	R-NETWORK;100ohm,5%,1/16W,L,CHIP,8P	1		SNA	UR92	2007-000084	R-CHIP;4.7Kohm,5%,1/10W,TP,1608	1		SA
UR32	2007-000078	R-CHIP;1Kohm,5%,1/10W,TP,1608	1		SA	UR93	2007-000084	R-CHIP;4.7Kohm,5%,1/10W,TP,1608	1		SA
UR34	2011-001344	R-NETWORK;100ohm,5%,1/16W,L,CHIP,8P	1		SNA	UR94	2011-001261	R-NETWORK;33ohm,5%,1/16W,L,CHIP,8P	1		SA
UR35	2007-000109	R-CHIP;1Mohm,5%,1/10W,TP,1608	1		SA	UR95	2011-001261	R-NETWORK;33ohm,5%,1/16W,L,CHIP,8P	1		SA
UR36	2007-000052	R-CHIP;10Kohm,1%,1/10W,TP,1608	1		SA	UR96	2007-000090	R-CHIP;10Kohm,5%,1/10W,TP,1608	1		SA
UR37	2007-000402	R-CHIP;150ohm,5%,1/10W,TP,1608	1		SA	UR97	2007-000090	R-CHIP;10Kohm,5%,1/10W,TP,1608	1		SA
UR39	2007-000090	R-CHIP;10Kohm,5%,1/10W,TP,1608	1		SA	UR98	2007-000084	R-CHIP;4.7Kohm,5%,1/10W,TP,1608	1		SA
UR40	2007-000074	R-CHIP;100ohm,5%,1/10W,TP,1608	1		SA	USBJACK1	3722-001051	JACK-USB;4P/1C,AU,BLK,ANGLE,A TYPE	1		SA
UR41	2011-001344	R-NETWORK;100ohm,5%,1/16W,L,CHIP,8P	1		SNA	USC1	2203-005148	C-CER,CHIP;100nF,10%,16V,X7R,TP,160	1		SA
UR42	2011-001344	R-NETWORK;100ohm,5%,1/16W,L,CHIP,8P	1		SNA	USC2	2203-000257	C-CER,CHIP;10nF,10%,50V,X7R,TP,1608	1		SA
UR43	2011-001344	R-NETWORK;100ohm,5%,1/16W,L,CHIP,8P	1		SNA	USC3	2402-000008	C-AL,SMD;47uF,20%,16V,GP,TP,6.6x6.6	1		SA
UR44	2007-000090	R-CHIP;10Kohm,5%,1/10W,TP,1608	1		SA	USC4	2203-000280	C-CER,CHIP;0.01nF,0.5pF,50V,COG,160	1		SA
UR45	2007-000084	R-CHIP;4.7Kohm,5%,1/10W,TP,1608	1		SA	USC5	2203-000280	C-CER,CHIP;0.01nF,0.5pF,50V,COG,160	1		SA
UR46	2007-000094	R-CHIP;22Kohm,5%,1/10W,TP,1608	1		SA	USC6	2203-005148	C-CER,CHIP;100nF,10%,16V,X7R,TP,160	1		SA
UR47	2007-000074	R-CHIP;100ohm,5%,1/10W,TP,1608	1		SA	USD1	0401-001090	DIODE-SWITCHING;1SS355,80V,100MA,SO	1		SA
UR48	2007-000090	R-CHIP;10Kohm,5%,1/10W,TP,1608	1		SA	USD2	0401-001090	DIODE-SWITCHING;1SS355,80V,100MA,SO	1		SA
UR49	2007-000084	R-CHIP;4.7Kohm,5%,1/10W,TP,1608	1		SA	USD3	0406-001128	DIODE-TVS;MLVS-0603-E08,50V	1		SA
UR5	2007-000084	R-CHIP;4.7Kohm,5%,1/10W,TP,1608	1		SA	USL1	3301-001495	BEAD-SMD;120ohm,2012,2500mA,TP,115o	1		SA
UR50	2007-000090	R-CHIP;10Kohm,5%,1/10W,TP,1608	1		SA	USL2	3301-001495	BEAD-SMD;120ohm,2012,2500mA,TP,115o	1		SA
UR51	2007-000074	R-CHIP;100ohm,5%,1/10W,TP,1608	1		SA	USR1	2007-000552	R-CHIP;20ohm,5%,1/10W,TP,1608	1		SA
UR52	2007-000074	R-CHIP;100ohm,5%,1/10W,TP,1608	1		SA	USR2	2007-000552	R-CHIP;20ohm,5%,1/10W,TP,1608	1		SA
UR53	2007-000643	R-CHIP;270ohm,5%,1/10W,TP,1608	1		SA	USR3	2007-000092	R-CHIP;15Kohm,5%,1/10W,TP,1608	1		SA
UR54	2007-000084	R-CHIP;4.7Kohm,5%,1/10W,TP,1608	1		SA	USR4	2007-000092	R-CHIP;15Kohm,5%,1/10W,TP,1608	1		SA
UR55	2007-000090	R-CHIP;10Kohm,5%,1/10W,TP,1608	1		SA	USR5	2007-000090	R-CHIP;10Kohm,5%,1/10W,TP,1608	1		SA
UR56	2007-000090	R-CHIP;10Kohm,5%,1/10W,TP,1608	1		SA	VFDCN1	3708-001033	CONNECTOR-FPC/FFC/PIC;22P,1.25mm,ST	1		SA
UR58	2007-000074	R-CHIP;100ohm,5%,1/10W,TP,1608	1		SA	WCN1	3710-002749	SOCKET-BOARD TO CABLE;22P,2R,2.0MM,	1		SA
UR59	2007-000084	R-CHIP;4.7Kohm,5%,1/10W,TP,1608	1		SA	X725_MAIN_PCB	AH41-01188A	PCB-MAIN;HT-X725 MAIN PCB,EPOXY,2,0	1		SNA
UR6	2007-000084	R-CHIP;4.7Kohm,5%,1/10W,TP,1608	1		SA	X-TAL4	2802-001174	RESONATOR-CERAMIC;10MHZ,0.5%,BK,8X3	1		SA
UR60	2007-000090	R-CHIP;10Kohm,5%,1/10W,TP,1608	1		SA	X-TAL5	2801-004354	CRYSTAL-UNIT;12.288MHZ,30PPM,ATS-49	1		SA
UR61	2007-000090	R-CHIP;10Kohm,5%,1/10W,TP,1608	1		SA	AH99-00415A	ASSY AUTO INSERT-MAIN PCB;-;HT-X720	1		SNA	
UR62	2007-000098	R-CHIP;56Kohm,5%,1/10W,TP,1608	1		SA	PCB-TUNER AH92-03025C ASSY PCB-TUNER;HOME THEATER,HT-X720	1 SA				
UR64	2007-000093	R-CHIP;20Kohm,5%,1/10W,TP,1608	1		SA	OPTC1	2203-000626	C-CER,CHIP;0.022nF,5%,50V,COG,1608	1		SA
UR65	2007-000070	R-CHIP;0ohm,5%,1/10W,TP,1608	1		SA	OPTC2	2203-006361	C-CER,CHIP;10000nF,10%,10V,X5R,TP,2	1		SA
UR66	2007-000074	R-CHIP;100ohm,5%,1/10W,TP,1608	1		SA	OPTC3	2203-005148	C-CER,CHIP;100nF,10%,16V,X7R,TP,160	1		SA
UR67	2007-000070	R-CHIP;0ohm,5%,1/10W,TP,1608	1		SA	OPTC4	2203-000257	C-CER,CHIP;10nF,10%,50V,X7R,TP,1608	1		SA
UR68	2007-000134	R-CHIP;33Kohm,5%,1/10W,TP,1608	1		SA	OPTJ1	0603-001164	OPTIC TRANSMITTER;5V,16Mb/s,0m,0dBm	1		SA
UR69	2007-000039	R-CHIP;0ohm,5%,1/10W,TP,1608	1		SA	OPTL1	3301-001495	BEAD-SMD;120ohm,2012,2500mA,TP,115o	1		SA
UR7	2007-000070	R-CHIP;0ohm,5%,1/10W,TP,1608	1		SA	OPTR1	2007-000076	R-CHIP;330ohm,5%,1/10W,TP,1608	1		SA
UR70	2007-000052	R-CHIP;10Kohm,1%,1/10W,TP,1608	1		SA	TUC1	2203-006361	C-CER,CHIP;10000nF,10%,10V,X5R,TP,2	1		SA
UR72	2007-000074	R-CHIP;100ohm,5%,1/10W,TP,1608	1		SA	TUC2	2203-005148	C-CER,CHIP;100nF,10%,16V,X7R,TP,160	1		SA
UR73	2007-000070	R-CHIP;0ohm,5%,1/10W,TP,1608	1		SA	TUL1	3301-001495	BEAD-SMD;120ohm,2012,2500mA,TP,115o	1		SA
UR75	2011-001344	R-NETWORK;100ohm,5%,1/16W,L,CHIP,8P	1		SNA	TUPACK1	AH40-00141A	TUNER-MODULE;KST-MW104FV1-S55,MAX-D	1		SA
UR76	2011-001344	R-NETWORK;100ohm,5%,1/16W,L,CHIP,8P	1		SNA	WCN12	3711-006891	HEADER-BOARD TO BOARD;NOWALL,22P,2R	1		SA
UR77	2007-000090	R-CHIP;10Kohm,5%,1/10W,TP,1608	1		SA	X725_TUNER_PCB	AH41-01212A	PCB-TUNER;HT-X725 TUNER PCB,EPOXY,2	0.125		SNA
UR78	2007-000090	R-CHIP;10Kohm,5%,1/10W,TP,1608	1		SA	AH99-00425A	ASSY AUTO INSERT-TUNER;HOME THEATER	1		SNA	
UR79	2007-000090	R-CHIP;10Kohm,5%,1/10W,TP,1608	1		SA	PCB-POWER AH92-03080A ASSY PCB-POWER;HOME THEATER,HT-X725	1 SA				
UR80	2007-000107	R-CHIP;470Kohm,5%,1/10W,TP,1608	1		SA						
UR81	2007-000070	R-CHIP;0ohm,5%,1/10W,TP,1608	1		SA						

Exploded View & Part List

Loc. No.	Part No.	Description;Specification	Q'ty	SNA	Remark	Loc. No.	Part No.	Description;Specification	Q'ty	SNA	Remark
KEYC17	2203-000189	C-CER,CHIP;100nF,+80-20%,25V,Y5V,16	1		SA						
KEYCN3	3708-002061	CONNECTOR-FPC/FFC/PIC;7P,1mm,SMD-A,	1		SA						
KEYD8	0403-001064	DIODE-ZENER;RLZ5.1B,4.94-5.2V,500mW	1		SA						
KEYIC2	1209-001866	IC-SENSOR;SS501,SOT-26,6P,2.9x1.6mm	1		SA						
KEYLED1	0601-002657	LED;SMD,2.1x0.6x0.9mm,465nm,2.1x0.	1		SA						
KEYR17	2007-000134	R-CHIP;33Kohm,5%,1/10W,TP,1608	1		SA						
KEYR18	2007-000092	R-CHIP;15Kohm,5%,1/10W,TP,1608	1		SA						
PWR_PCB	AH41-01243A	PCB-POWER;HT-X725 PWR KEY PCB,EPOXY	0.032		SNA						
	AH99-00424A	ASSY AUTO INSERT-POWER;HOME THEATER	1		SNA						
	AH98-00147A	ASSY LABEL;-;ht-x720;-;-	1		SNA						
	AH63-01301A	SHEET-SET;HT-Q40	1		SNA						
	AH68-00371A	LABEL-BAR CODE;DVD-611/XAA,MOJO2000	1.05		SNA						
	AH68-01929H	LABEL RATING;HT-A100,ELS,SLIVER PET	1.05		SNA						
	AH68-01984A	MANUAL-CLEANING;HT-X200,ART PAPER	1		SNA						
	AH68-02204A	LABEL-POP;HT-X720,W/W,SILVER SHEET,	1		SA						
	AH69-02452A	CUSHION-BOTTOM;HT-X720,EPS,T20,W380	1		SA						
	AH69-02453A	CUSHION-TOP;HT-X720,EPS,T20,W380,L5	1		SA						
	AH98-00151B	ASSY ACCESSORY;-;HT-X720/EDC;-;-	1		SNA						
	6902-000385	BAG PE;LDPE,T0.03,W250,L350,TRP,8,1	1		SA						
	AH39-40001V	CABLE-AUDIO CABLE;1P-1P,3000mm,YELL	1		SA						
	AH42-00021A	ANT FM T;T18011F-1,75 ohm,1800mm	1		SA						
	AH68-02177G	MANUAL USERS;HT-X720,EDC,POL/HUN/S	1		SA						
	AH68-02177H	MANUAL USERS;HT-X720,EDC,GRE/RUM/BU	1		SA						
	AH68-50254B	LABEL-SERIAL,T0.1,L10,W45,SME/SEHZ	1.05		SNA						
	3903-000396	CBF-POWER CORD;AT,EU,CP2,HOUSING(2P)	1		SA						
	AH69-02461G	MASTER CARTON;HT-TX725/KOR,PAPER,7,	1.03		SA						