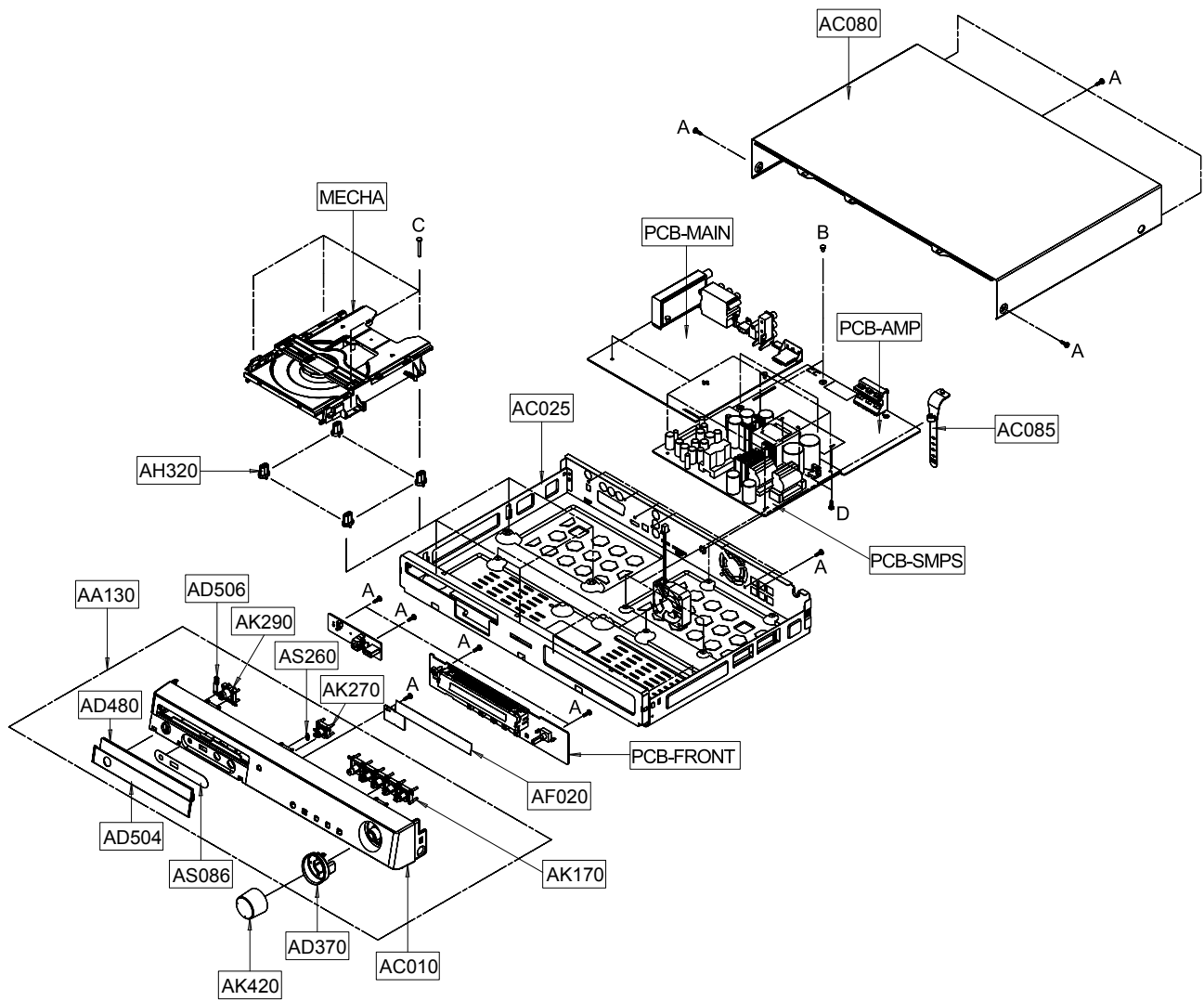

5. Exploded View & Part List

5-1	Exploded View	5-2
5-2	Speaker System.....	5-4
5-3	Electrical Part List.....	5-5

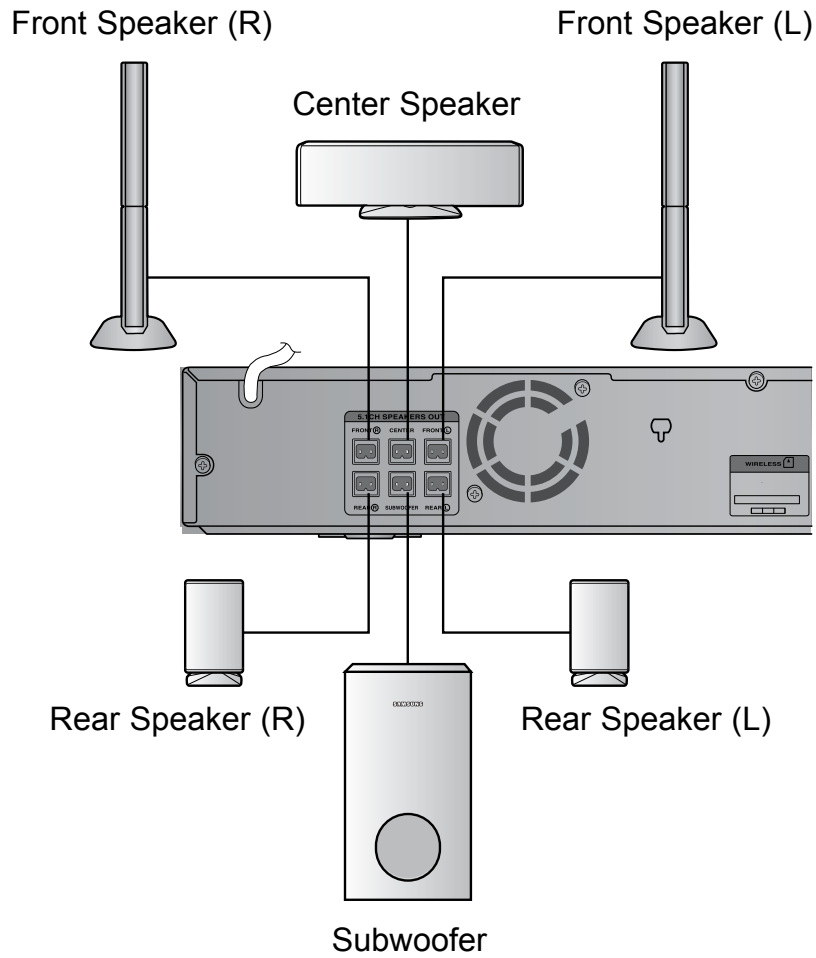
5-1 Exploded View



■ Part List

Loc. No.	Code No.	Description;Specification	Q'ty	SNA	Remark
AA130	AH97-02546E	ASSY-FRONT;ASSY,HT-Z212,EUR	1	SA	
AC010	AH64-04466E	CABINET-FRONT;HT-Z212/KOR,PMMA+ABS,T2.5,	1	SNA	
AC025	AH64-04467F	CABINET-BOTTOM REAR;HT-Z310/NO EUR,SECC,	1	SNA	
AC080	AH64-03791E	CABINET-TOP;HT-X30,PCM,T2.2,-,-,-,-,PCM	1	SA	
AC085	6502-001048	CABLE CLAMP;DACW130,-,T1.0,PE,BLK	1	SA	
AD370	AH64-04475B	DECORATION-VOLUME;HT-Z210,ABS NATURAL,T1	1	SA	
AD480	AH64-04468A	DOOR-CD;HT-Z210,ABS+PMMA,T2.5,-,-,-,-,	1	SA	
AD504	AH64-04469C	DOOR-HIDDEN;HT-Z210/EUR,ABS+PMMA,T2.5,-,	1	SA	
AD506	AH64-04470A	DOOR-LOCK;HT-Z210,POM,T2.5,-,-,-,-,-	1	SA	
AF020	AH63-01537A	FILTER-VFD;HT-Z410/510,PMMA,T0.3,W134.6,	1	SA	
AH320	AH61-02182A	HOLDER-MEHCA;HT-Q9,ABS,-,-,-,-,-	4	SA	
AK170	AH64-04471A	KNOB-FUNCTION;HT-Z210,ABS,T2.0,-,-,-,-,-	1	SA	
AK270	AH64-04473A	KNOB-OPEN;HT-Z210,ABS,T2.0,-,-,-,-,-	1	SA	
AK290	AH64-04472A	KNOB-POWER;HT-Z210,ABS,T2.0,-,-,-,-,-	1	SA	
AK420	AH64-04474A	KNOB-VOLUME;HT-Z210,ABS,T2.0,-,-,-,-,-	1	SA	
AS086	AH63-01552A	SHEET-JACK;HT-Z210,PC,T0.3,-,-,-,-,-	1	SNA	
AS260	AH61-02527A	SPRING ETC-DOOR;HT-Z310,STS 304 WPS,0.2,	1	SA	
MECHA	AH97-01831A	ASSY DVD DECK-SDM-D1FL;BASIC-TYPE,CMS-S7	1	SA	
PCB-AMP	AH92-02793A	ASSY PCB-AMP ASSY;HT-Z210,ASSY PCB-AMP	1	SA	
PCB-FRONT	AH92-02792A	ASSY PCB-FRONT ASSY;HT-Z210,ASSY PCB-FRO	1	SA	
PCB-MAIN	AH92-02791A	ASSY PCB-MAIN ASSY;HT-Z210,ASSY PCB-MAIN	1	SA	
PCB-SMPS	AH44-00114A	SMPS;HT-Q20,-,AC/DC,500W,110-240V,5	1	SA	
A	6003-000275	SCREW-TAPTITE;BH,+,-,B,M3,L10,ZPC(BLK),S	16	SNA	
B	6003-001561	SCREW-TAPTITE;BH,+,-,B,M3,L6,ZPC(WHT),SW	8	SNA	
C	6003-000280	SCREW-TAPTITE;BH,+,-,B,M3,L25,ZPC(WHT),S	4	SNA	
D	6003-000276	SCREW-TAPTITE;BH,+,-,B,M3,L10,ZPC(WHT),S	4	SNA	

5-2 Speaker System



Part List

Loc. No.	Code No.	Description;Specification	Q'ty	SNA	Remark
Front Speaker (R)	AH81-04269A	SPEAKER-FRONT;PS-TZ212,FRONT SPEAKER SYSTEM,CHANNEL : RIGHT,-,-,-,-	1	SA	
Front Speaker (L)	AH81-04269B	SPEAKER-FRONT;PS-TZ212,FRONT SPEAKER SYSTEM,CHANNEL:LEFT,-,-,-,-	1	SA	
Center Speaker	AH81-04269E	SPEAKER-CENTER;PS-TZ212,CENTER SPEAKERSYSTEM,-,-,-,-,-	1	SA	
Rear Speaker (R)	AH81-04269C	SPEAKER-REAR;PS-TZ212,REAR SPEAKER SYSTEM,CHANNEL:RIGHT,-,-,-,-	1	SA	
Rear Speaker (L)	AH81-04269D	SPEAKER-REAR;PS-TZ212,REAR SPEAKER SYSTEM,CHANNEL:LEFT,-,-,-,-	1	SA	
Subwoofer	AH81-04269F	SPEAKER-SUBWOOFER;PS-TZ212,SUBWOOFER SPK SYSTEM,-,-,-,-,-	1	SA	
Speaker Wire	AH81-02177B	SPEAKER;PS-Q20,SPK CORD CONNECTOR,FRONT/ SUB W/F:4M,CENTER:3M	1	SA	

5-3 Electrical Part List

Loc. No.	Part No.	Description;Specification	Q'ty	SNA	Remark	Loc. No.	Part No.	Description;Specification	Q'ty	SNA	Remark
	AH97-02033N	ASSY MACHINERY-POWER CORD;160MM.257	1		SNA						
	3301-000132	CORE-FERRITE;AC,28.8x19.3x7.5mm,140	1		SA	FR17	2007-000090	R-CHIP;10Kohm,5%,1/10W,TP,1608	1		SA
	AH39-00257F	CBF-POWER CORD;MAX980,-,CP2,250V,2.	1		SA	FR18	2007-000090	R-CHIP;10Kohm,5%,1/10W,TP,1608	1		SA
						FR19	2007-000070	R-CHIP;0ohm,5%,1/10W,TP,1608	1		SA
	AH97-02581B	ASSY MACHINERY-ACCESSORY;EDC,HT-Z21	1		SNA	FR2	2007-000123	R-CHIP;1.5Kohm,5%,1/10W,TP,1608	1		SA
	4301-000116	BATTERY-ALKALINE;9V,-,17.5x26.5x4	2		SA	FR20	2007-000070	R-CHIP;0ohm,5%,1/10W,TP,1608	1		SA
	6902-000385	BAG PE;LDPE,TO.03,W250,L350,TRP,8,1	3		SNA	FR21	2007-000094	R-CHIP;22Kohm,5%,1/10W,TP,1608	1		SA
	AH39-40001V	CABLE-AUDIO CABLE;-,-,1P-1P,3000mm,	1		SA	FR22	2007-000116	R-CHIP;120ohm,5%,1/10W,TP,1608	1		SA
	AH42-00021A	ANT FM T;T18011F-1.75 ohm,1800mm	1		SA	FR23	2007-000090	R-CHIP;10Kohm,5%,1/10W,TP,1608	1		SA
						FR24	2007-000090	R-CHIP;10Kohm,5%,1/10W,TP,1608	1		SA
	AH68-00650L	MARK RECYCLE;YP-P2,ELS.ENG,-,MOJO40	1		SA	FR27	2007-000122	R-CHIP;1.2Kohm,5%,1/10W,TP,1608	1		SA
	AH68-02055F	MANUAL USERS;HT-Z310,EDC,GB/FR/DE/I	1		SA	FR3	2007-000079	R-CHIP;1.8Kohm,5%,1/10W,TP,1608	1		SA
	AH68-02055G	MANUAL USERS;HT-Z310,EDC,PL/HU/SK/C	1		SA	FR4	2007-000124	R-CHIP;2.2Kohm,5%,1/10W,TP,1608	1		SA
	AH68-02055H	MANUAL USERS;HT-Z310,EDC,GR/RO/BG/C	1		SA	FR5	2007-000082	R-CHIP;3.3Kohm,5%,1/10W,TP,1608	1		SA
	AH68-50254B	LABEL-SERIAL;ART PAPER,TO.1,L10,W45	3.05		SNA	FR6	2007-000084	R-CHIP;4.7Kohm,5%,1/10W,TP,1608	1		SA
						FRONT_PCB	AH41-01100A	PCB-FRONT;HT-Z310,PENNOL,2,0,1.6T,2	0.334		SNA
	AH81-02286C	A/S-EYEGLASS CLOTH;HT-TXQ120,POLY-B	1		SNA	FZD2	0403-001064	DIODE-ZENER;RLZ5.1B,4.94-5.2V,500mW	1		SA
						LED1	0601-002482	LED;ROUND,RED/BLUE,5.40x9.50mm,R=6	1		SA
	AH92-02792A	ASSY PCB-FRONT ASSY;HT-Z210,ASSY PC	1		SA	REM_EYE0609-001189	MODULE REMOCON;HORIZONTAL,16.4MM,TR	1			SA
AC3L	2203-000815	C-CER,CHIP;0.033nF,5%,50V,COG,1608	1		SA	SW1	3404-000165	SWITCH-TACT;12V,50mA,160gf,6x6mm,SP	1		SA
AC3R	2203-000815	C-CER,CHIP;0.033nF,5%,50V,COG,1608	1		SA	SW2	3404-000165	SWITCH-TACT;12V,50mA,160gf,6x6mm,SP	1		SA
AC4	2203-001607	C-CER,CHIP;0.22nF,5%,50V,NP0,1608	1		SA	SW3	3404-000165	SWITCH-TACT;12V,50mA,160gf,6x6mm,SP	1		SA
AC5	2203-000257	C-CER,CHIP;10nF,10%,50V,X7R,TP,1608	1		SA	SW4	3404-000165	SWITCH-TACT;12V,50mA,160gf,6x6mm,SP	1		SA
AD1	0401-001099	DIODE-SWITCHING;1N4148WS,75V,150mA,	1		SA	SW5	3404-000165	SWITCH-TACT;12V,50mA,160gf,6x6mm,SP	1		SA
AD2	0401-001099	DIODE-SWITCHING;1N4148WS,75V,150mA,	1		SA	SW6	3404-000165	SWITCH-TACT;12V,50mA,160gf,6x6mm,SP	1		SA
AJ1	3722-001588	JACK-PHONE;7P,3.6PI,AG,BLK,-	1		SA	SW9	3404-000165	SWITCH-TACT;12V,50mA,160gf,6x6mm,SP	1		SA
AL1L	2007-000070	R-CHIP;0ohm,5%,1/10W,TP,1608	1		SA	UC100	2203-000975	C-CER,CHIP;47nF,10%,25V,X7R,TP,1608	1		SA
AL1R	2007-000070	R-CHIP;0ohm,5%,1/10W,TP,1608	1		SA	UC101	2203-000975	C-CER,CHIP;47nF,10%,25V,X7R,TP,1608	1		SA
BC1	2203-000257	C-CER,CHIP;10nF,10%,50V,X7R,TP,1608	1		SA	UC13	2401-003221	C-AL;100uF,20%,16V,GP,TP,8X5,2.5	1		SA
BC2	2203-000975	C-CER,CHIP;47nF,10%,25V,X7R,TP,1608	1		SA	UC2	2203-005249	C-CER,CHIP;100nF,10%,50V,X7R,1608	1		SA
BC3	2203-001607	C-CER,CHIP;0.22nF,5%,50V,NP0,1608	1		SA	UC29	2203-005249	C-CER,CHIP;100nF,10%,50V,X7R,1608	1		SA
BC4	2203-005249	C-CER,CHIP;100nF,10%,50V,X7R,1608	1		SA	UC3	2401-000485	C-AL;10UF,20%,50V,GP,TP,6.3X5MM,2.5	1		SA
BD1	0401-001099	DIODE-SWITCHING;1N4148WS,75V,150mA,	1		SA	UC30	2401-000485	C-AL;10UF,20%,50V,GP,TP,6.3X5MM,2.5	1		SA
BD2	0401-001099	DIODE-SWITCHING;1N4148WS,75V,150mA,	1		SA	UC4	2203-005249	C-CER,CHIP;100nF,10%,50V,X7R,1608	1		SA
BD3	0401-001099	DIODE-SWITCHING;1N4148WS,75V,150mA,	1		SA	UC43	2203-005249	C-CER,CHIP;100nF,10%,50V,X7R,1608	1		SA
BD4	0401-001099	DIODE-SWITCHING;1N4148WS,75V,150mA,	1		SA	UC5	2401-000485	C-AL;10UF,20%,50V,GP,TP,6.3X5MM,2.5	1		SA
FBD1	3301-001495	BEAD-SMD;120ohm,2012,2500mA,TP,115o	1		SA	UD10	0401-001099	DIODE-SWITCHING;1N4148WS,75V,150mA,	1		SA
FBD2	3301-001495	BEAD-SMD;120ohm,2012,2500mA,TP,115o	1		SA	UD13	0404-000156	DIODE-SCHOTTKY;RB441Q,40V,350MA,DO-	1		SA
FBD3	3301-001495	BEAD-SMD;120ohm,2012,2500mA,TP,115o	1		SA	UD9	0401-001099	DIODE-SWITCHING;1N4148WS,75V,150mA,	1		SA
FC1	2203-000979	C-CER,CHIP;47nF,10%,50V,X7R,TP,2012	1		SA	UIC2	1003-002129	IC-VFD;PT6315A,LQFP,44P,10x10mm,-,-	1		SA
FCON1	3708-000454	CONNECTOR-FPC/FPC/PIC;22P,1.25MM,ST	1		SA	UR1	2007-000090	R-CHIP;10Kohm,5%,1/10W,TP,1608	1		SA
FCON2	3711-002807	HEADER-BOARD TO CABLE;BOX,6P,1R,2mm	1		SA	UR2	2007-000090	R-CHIP;10Kohm,5%,1/10W,TP,1608	1		SA
FCW2	AH39-00936A	WIRE HARNESS;HT-X30,6P,2mm,200mm,UL	1		SA	UR5	2007-000101	R-CHIP;82Kohm,5%,1/10W,TP,1608	1		SA
FCW3	AH39-00938A	CONNECT WIRE;HT-X30,2547,UL,7P,630m	1		SA	UR6	2007-000090	R-CHIP;10Kohm,5%,1/10W,TP,1608	1		SA
FD1	0401-001099	DIODE-SWITCHING;1N4148WS,75V,150mA,	1		SA	UR7	2007-000074	R-CHIP;100ohm,5%,1/10W,TP,1608	1		SA
FD2	0401-001099	DIODE-SWITCHING;1N4148WS,75V,150mA,	1		SA	UR8	2007-000074	R-CHIP;100ohm,5%,1/10W,TP,1608	1		SA
FJ1	3406-001047	SWITCH-ROTARY;5V DC,0.5mA,-,12mm	1		SA	UR9	2007-000074	R-CHIP;100ohm,5%,1/10W,TP,1608	1		SA
FLR1	2007-000084	R-CHIP;4.7Kohm,5%,1/10W,TP,1608	1		SA	USB	3722-002313	JACK-USB;4P/1C,AU30U,BLK,STRAIGHT,A	1		SA
FLR2	2007-000084	R-CHIP;4.7Kohm,5%,1/10W,TP,1608	1		SA	VFD	AH07-00218A	VF DISPLAY;11SM71T,HT-Z310,135.2X18	1		SA
FLR3	2007-000094	R-CHIP;22Kohm,5%,1/10W,TP,1608	1		SA	VFD HOLDER	AH61-02518A	HOLDER-VFD;HT-Z210,ABS,T1.5,W138.6,	1		SA
FLR4	2007-000094	R-CHIP;22Kohm,5%,1/10W,TP,1608	1		SA	AH99-10012Q	ASSY PCB-FRONT ASSY,m;HT-Z210,ASSY	1			SNA
FQ2	0504-000128	TR-DIGITAL;-NPN,200MW,22K/22K,SOT-	1		SA						
FQ3	0504-000128	TR-DIGITAL;-NPN,200MW,22K/22K,SOT-	1		SA						
FQ5	0501-000002	TR-SMALL SIGNAL;KSA812,PNP,150MW,SO	1		SA		AH44-00114A	SMPS;HT-Q20,-,AC/DC,500W,110-240V,5	1		SA
FQ7	0501-000002	TR-SMALL SIGNAL;KSA812,PNP,150MW,SO	1		SA	0402-000012	DIODE-RECTIFIER;UF4007,1KV,1A,DO-41	2			SA
FR1	2007-000078	R-CHIP;1Kohm,5%,1/10W,TP,1608	1		SA	0501-000362	TR-SMALL SIGNAL;KSC2328A-Y,NPN,1000	1			SA
FR15	2007-000075	R-CHIP;220ohm,5%,1/10W,TP,1608	1		SA	0501-000422	TR-SMALL SIGNAL;KTA1273,PNP,-30V,-3	1			SA
FR16	2007-000309	R-CHIP;10ohm,5%,1/10W,TP,1608	1		SA	0501-000630	TR-SMALL SIGNAL;KTA1268,PNP,300MW,T	1			SA

Exploded View & Part List

Loc. No.	Part No.	Description;Specification	Q'ty	SNA	Remark	Loc. No.	Part No.	Description;Specification	Q'ty	SNA	Remark
	1203-002597	IC-PWM CONTROLLER;KA5Q1265RF-YDTU,T	1	SA			AH81-02643A	C-FILM MPEF-MYLAR;0.0082uF,100V,5%,	1	SA	
	1203-003365	IC-PWM CONTROLLER;FSDM0365RNC,DIP,8	1	SA			AH81-02647A	C-CERAMIC DISK;470pF,400VAC-Y1,20%,	2	SA	
	1203-004573	IC-VOL. REFERENCE;FAN431A,TO-92,3P,	2	SA			AH81-02650A	C-CERAMIC DISK;2200pF,400VAC-Y1,20%	1	SA	
	2001-000003	R-CARBON;330ohm,5%,1/8W,AA,TP,1.8x3	1	SA			AH81-02651A	C-AL;6800uF,6.3V,12.5*25mm,-40 to +	1	SA	
	2001-000302	R-CARBON;100HM,5%,1/8W,AA,TP,1.8X3.	3	SA			AH81-02652A	C-AL;330uF,10V,6.3*11mm,-40 to +85C	1	SA	
	2001-000319	R-CARBON;120KOHM,5%,1/8W,AA,TP,1.8X	1	SA			AH81-02654A	C-AL;1000uF,10V,10*12.5mm,-40 to +8	1	SA	
	2001-000440	R-CARBON;10HM,5%,1/8W,AA,TP,1.8X3.2	1	SA			AH81-02660A	C-AL;100uF,50V,8*12mm,-40 to +85C,-	4	SA	
	2001-000449	R-CARBON;2.2KOHM,5%,1/8W,AA,TP,1.8X	1	SA			AH81-02661A	C-AL;68uF,250V,16*25mm,-40 to +85C,	2	SA	
	2001-000458	R-CARBON;2.2OHM,5%,1/8W,AA,TP,1.8X3	1	SA			AH81-02663A	C-AL;1000uF,25V,10*20mm,-40 to +105	1	SA	
	2001-000472	R-CARBON;2.7KOHM,5%,1/8W,AA,TP,1.8X	2	SA			AH81-02670A	C-AL-LOW IMPEDANCE TYPE;3300uF,10V,	1	SA	
	2001-000508	R-CARBON;220KOHM,5%,1/8W,AA,TP,1.8X	1	SA			AH81-02671A	C-AL-LOW IMPEDANCE TYPE;1000uF,25V,	1	SA	
	2001-000554	R-CARBON;270OHM,5%,1/8W,AA,TP,1.8X3	1	SA			AH81-02672A	C-AL-LOW IMPEDANCE TYPE;2200uF,50V,	2	SA	
	2001-000660	R-CARBON;33KOHM,5%,1/8W,AA,TP,1.8X3	5	SA			AH81-02674A	CONNECTOR;SW0500-15,2mm,-,-,-,-	1	SA	
	2001-000666	R-CARBON;33OHM,5%,1/8W,AA,TP,1.8X3.	1	SA			AH81-02678A	CONNECTOR;YMW025-09R,2.5mm,-,-,-,-	1	SA	
	2001-000702	R-CARBON;39KOHM,5%,1/8W,AA,TP,1.8X3	1	SA			AH81-02681A	TRANS;ORTP-760C T1,EER2828,-,-,-,-	1	SA	
	2001-000734	R-CARBON;4.7KOHM,5%,1/8W,AA,TP,1.8X	1	SA			AH81-02682A	TRANS;ORTP-760 T2,EER4242,-,-,-,-	1	SA	
	2001-000780	R-CARBON;470OHM,5%,1/8W,AA,TP,1.8X3	1	SA			AH81-02698A	WIRE-JUMPER;TIN 0.6t(7.5mm),-,-,-,-	4	SNA	
	2001-000786	R-CARBON;47KOHM,5%,1/8W,AA,TP,1.8X3	2	SA			AH81-02700A	WIRE-JUMPER;TIN 0.6t(8.5mm),-,-,-,-	6	SNA	
	2001-000857	R-CARBON;560OHM,5%,1/8W,AA,TP,1.8X3	2	SA			AH81-02702A	WIRE-JUMPER;TIN 0.6t(9.5mm),-,-,-,-	1	SNA	
	2001-000869	R-CARBON;56OHM,5%,1/8W,AA,TP,1.8X3.	2	SA			AH81-02704A	WIRE-JUMPER;TIN 0.6t(10.5mm),-,-,-,-	2	SNA	
	2001-000924	R-CARBON;680OHM,5%,1/8W,AA,TP,1.8X3	1	SA			AH81-02706A	WIRE-JUMPER;TIN 0.6t(11.5mm),-,-,-,-	2	SNA	
	2001-000947	R-CARBON;7.5KOHM,5%,1/8W,AA,TP,1.8X	1	SA			AH81-02708A	WIRE-JUMPER;TIN 0.6t(13.5mm),-,-,-,-	1	SNA	
	2003-000738	R-METAL OXIDE(S);56Kohm,5%,2W,AA,TP	1	SA			AH81-02709A	WIRE-JUMPER;TIN 0.6t(14.5mm),-,-,-,-	3	SNA	
	2201-000286	C-CERAMIC;DISC;1nF,10%,1000V,Y5P,-,	1	SA			AH81-02711A	WIRE-JUMPER;TIN 0.6t(16.5mm),-,-,-,-	2	SNA	
	2401-000471	C-AL;10uF,20%,50V,BP,TP,5x11,5mm	1	SA			AH81-02712A	WIRE-JUMPER;TIN 0.6t(17.5mm),-,-,-,-	2	SNA	
	2401-000649	C-AL;2.2uF,20%,50V,BP,TP,5x11,5	2	SA			AH81-02714A	WIRE-JUMPER;TIN 0.6t(18.5mm),-,-,-,-	5	SNA	
	2401-001479	C-AL;470uF,20%,10V,GP,TP,6.3*11mm,5	1	SA			AH81-02752A	C-FILM MPEF-METAL FILM;0.01uF,AC630	2	SA	
	2401-002300	C-AL;47##F,20%,50V,GP,TP,6.3x11,5mm	2	SA			AH81-02754A	IC-REGULATOR;KA378R33,3A,3.3V,TO-22	1	SA	
	2401-003036	C-AL;100uF,20%,16V,GP,TP,5X11mm,5mm	1	SA			AH81-02756A	IC-REGULATOR;KA7808,8V,TO-220,-,-,-	1	SA	
	AH81-02501A	FUSE;382type,4A,250V,-,-,-,-	1	SA			AH81-02764A	IC-REGULATOR;KA278R05,2A,5V,TO-220F	1	SA	
	AH81-02505A	DIODE-ZENER;1N5239B,0.5W,9.1V,DO-35	2	SA			AH81-02790A	INDUCTOR-RADIAL-BEAD CORE;BFS3550R2	2	SA	
	AH81-02521A	DIODE-SWITCHING;1N4148,500mW,DO-35,	5	SA			AH81-02791A	INDUCTOR-RADIAL-LINE FILTER;DY-30M2	2	SA	
	AH81-02524A	C-FILM MPEF;0.1uF,100V,5%,TP,-,-,-	1	SA			AH81-02795A	C-AL;330uF,16V,6.3*11mm,-40 to +85C	1	SA	
	AH81-02526A	C-CERAMIC DISK;100pF,1KV,10%,,-,-,-	1	SA			AH81-02806A	HEAT SINK;-,-,-,52.3*16.8*27.5(H)*3	1	SA	
	AH81-02532A	INDUCTOR-RADIAL-CHOKO COIL;15uH,10%	1	SA			AH81-02808A	HEAT SINK;-,-,-,34.9*20*17.5(Hole)*	1	SA	
	AH81-02539A	VARISTOR;10D471,470V,-,-,-,-	1	SA			AH81-02812A	RESISTOR-CARBON FILM;1/8W,1.5K ohm,	1	SA	
	AH81-02544A	PHOTO COUPLER;LTV817B,If 50mA,Vceo	3	SA			AH81-02816A	C-AL;1uF,50V,5*11mm,-40 to +85C,-,-	1	SA	
	AH81-02551A	IC-REGULATOR;KA78R12,TO-220F-4L,Vo	1	SA			AH81-02834A	PCB;196.8*135*1.6t(####CEM),-,-,-	1	SNA	
	AH81-02553A	THERMISTOR;3D15,-,-,-,-,-	1	SA			AH81-02838A	RESISTOR-CARBON FILM;1/8W,18Kohm,1%	1	SNA	
	AH81-02558A	CONNECTOR;5096-02C,7.92mm,-,-,-,-	1	SA			AH92-02791A ASSY PCB-MAIN ASSY;HT-Z210,ASSY PCB	1	SA		
	AH81-02565A	C-FILM MPEF-MPP FILM;0.1uF,275VAC-P	2	SA			AIC1	1002-001548 IC-A/D CONVERTER;CS5345,24,LQFP,48P	1	SA	
	AH81-02575A	SCREW-PH;M3*8 ASSEMBLY,-,-,-,-,-	2	SA			BPIC1	0801-002518 IC-CMOS LOGIC;74LCX157,2-INPUT MULT	1	SA	
	AH81-02591A	C-AL-LARGE TYPES;330uF,250V,22*30mm	2	SA			BTL1	3301-001495 BEAD-SMD;120ohm,2012,2500mA,TP,115o	1	SA	
	AH81-02605A	C-FILM MPEF-MYLAR;0.047uF,100V,5%,T	1	SA			BTR1	2007-000122 R-CHIP;1.2Kohm,5%,1/10W,TP,1608	1	SA	
	AH81-02611A	RESISTOR-CARBON FILM;1/8W,15 ohm,1%	1	SA			BTR11	2007-000074 R-CHIP;100ohm,5%,1/10W,TP,1608	1	SA	
	AH81-02612A	RESISTOR-CARBON FILM;1/8W,150 ohm,1	1	SNA			BTR2	2007-000074 R-CHIP;100ohm,5%,1/10W,TP,1608	1	SA	
	AH81-02617A	RESISTOR-SURGE;1/2W,1.5M ohm,5%,SUR	1	SNA			BTR3	2007-000113 R-CHIP;33ohm,5%,1/10W,TP,1608	1	SA	
	AH81-02620A	RESISTOR-METAL OXIDE FILM;1W,120 oh	1	SA			BTR4	2007-000074 R-CHIP;100ohm,5%,1/10W,TP,1608	1	SA	
	AH81-02625A	RESISTOR-METAL OXIDE FILM;3W,56K oh	1	SA			BTR5	2007-000074 R-CHIP;100ohm,5%,1/10W,TP,1608	1	SA	
	AH81-02628A	DIODE-FAST RECOVERY RECTIFIERS;FR10	7	SNA			BTR6	2007-000074 R-CHIP;100ohm,5%,1/10W,TP,1608	1	SA	
	AH81-02630A	DIODE-SCHOTTKY BARRIER RECTIFI;SR30	2	SA			BTR7	2007-000074 R-CHIP;100ohm,5%,1/10W,TP,1608	1	SA	
	AH81-02631A	DIODE-SUPER FAST RECTIFIERS;SF35G,3	1	SA			BTR8	2007-000081 R-CHIP;2.7Kohm,5%,1/10W,TP,1608	1	SA	
	AH81-02632A	DIODE-SUPER FAST RECTIFIERS;SFF1604	1	SA			CB02	3301-001495 BEAD-SMD;120ohm,2012,2500mA,TP,115o	1	SA	
	AH81-02635A	DIODE-ZENER;1N5242B,500mW,12V,DO-35	1	SA			CBT1	2203-005148 C-CER,CHIP;100nF,10%,16V,X7R,TP,160	1	SA	
	AH81-02637A	DIODE-ZENER;DZ4.7BSB,4.77V,500mW,DO	1	SA			CC09	2401-001508 C-AL;47uF,20%,16V,GP,TP,6.3x5,5	1	SA	
	AH81-02638A	DIODE-BRIDGE;DB105G,600V,1A,DB,-,-,-	1	SA			CC10	2203-005249 C-CER,CHIP;100nF,10%,50V,X7R,1608	1	SA	
	AH81-02639A	DIODE-BRIDGE;GBU605G,600V,6A,GBU,-,-	1	SA			CC11	2007-000092 R-CHIP;15Kohm,5%,1/10W,TP,1608	1	SA	
	AH81-02642A	C-FILM MPEF-MYLAR;0.0047uF,100V,5%,	2	SA							

Loc. No.	Part No.	Description;Specification	Q'ty	SNA	Remark	Loc. No.	Part No.	Description;Specification	Q'ty	SNA	Remark
CC12	2007-000092	R-CHIP;15Kohm,5%,1/10W,TP,1608	1	SA		EBD15	3301-001495	BEAD-SMD;120ohm,2012,2500mA,TP,115o	1	SA	
CC13	2203-000280	C-CER,CHIP;0.01nF,0.5pF,50V,C0G,160	1	SA		EBD16	3301-001495	BEAD-SMD;120ohm,2012,2500mA,TP,115o	1	SA	
CC14	2203-000280	C-CER,CHIP;0.01nF,0.5pF,50V,C0G,160	1	SA		EBD2	3301-001495	BEAD-SMD;120ohm,2012,2500mA,TP,115o	1	SA	
CEC1	2203-005148	C-CER,CHIP;100nF,10%,16V,X7R,TP,160	1	SA		EBD3	3301-001495	BEAD-SMD;120ohm,2012,2500mA,TP,115o	1	SA	
CEC42	2203-005148	C-CER,CHIP;100nF,10%,16V,X7R,TP,160	1	SA		EBD4	3301-001495	BEAD-SMD;120ohm,2012,2500mA,TP,115o	1	SA	
CEC43	2401-000240	C-AL;100uF,20%,10V,GP,TP,5x11.5	1	SA		EBD9	3301-001495	BEAD-SMD;120ohm,2012,2500mA,TP,115o	1	SA	
CEC44	2203-005148	C-CER,CHIP;100nF,10%,16V,X7R,TP,160	1	SA		EMR1	2007-000070	R-CHIP;0ohm,5%,1/10W,TP,1608	1	SA	
CEC46	2401-000240	C-AL;100uF,20%,10V,GP,TP,5x11.5	1	SA		EMR2	2007-000070	R-CHIP;0ohm,5%,1/10W,TP,1608	1	SA	
CEC47	2203-005148	C-CER,CHIP;100nF,10%,16V,X7R,TP,160	1	SA		ESD3	0406-001128	DIODE-TVS;MLVS-0603-E08,50V,-,-	1	SA	
CEC51	2203-005065	C-CER,CHIP;1000nF,+80-20%,10V,Y5V,1	1	SA		ESD4	0406-001128	DIODE-TVS;MLVS-0603-E08,50V,-,-	1	SA	
CECX1	2802-001179	RESONATOR-CERAMIC;4MHZ,0.5%,BK,8X3X	1	SA		ESD5	0406-001128	DIODE-TVS;MLVS-0603-E08,50V,-,-	1	SA	
CEIC1	AK09-001594	IC MICOM;-,MC80C0316-MC015 D32,44,2	1	SA		ESD6	0406-001128	DIODE-TVS;MLVS-0603-E08,50V,-,-	1	SA	
CEIC2	1103-001333	IC-EEPROM;24C08A,1Kx8Bit,SOP,8P,5x4	1	SA		ESD7	0406-001128	DIODE-TVS;MLVS-0603-E08,50V,-,-	1	SA	
CEIC3	1203-002425	IC-POSI.FIXED REG.;1117,SOT-223,3P,	1	SA		ESD8	0406-001128	DIODE-TVS;MLVS-0603-E08,50V,-,-	1	SA	
CEIC4	0505-001679	FET-SILICON;FDC6301N,N,25V,0.22A,5O	1	SA		HC01	2401-002042	C-AL;220uF,20%,10V,GP,TP,6.3x11.5	1	SA	
CEQ100	0501-000341	TR-SMALL SIGNAL;KSC1623-L,NPN,200mW	1	SA		HC02	2401-002042	C-AL;220uF,20%,10V,GP,TP,6.3x11.5	1	SA	
CER1	3301-001495	BEAD-SMD;120ohm,2012,2500mA,TP,115o	1	SA		HC03	2203-005148	C-CER,CHIP;100nF,10%,16V,X7R,TP,160	1	SA	
CER10	2007-000084	R-CHIP;4.7Kohm,5%,1/10W,TP,1608	1	SA		HC04	2203-005148	C-CER,CHIP;100nF,10%,16V,X7R,TP,160	1	SA	
CER11	2007-000090	R-CHIP;10Kohm,5%,1/10W,TP,1608	1	SA		HC05	2203-005148	C-CER,CHIP;100nF,10%,16V,X7R,TP,160	1	SA	
CER13	2007-000090	R-CHIP;10Kohm,5%,1/10W,TP,1608	1	SA		HC06	2203-005148	C-CER,CHIP;100nF,10%,16V,X7R,TP,160	1	SA	
CER15	2007-000090	R-CHIP;10Kohm,5%,1/10W,TP,1608	1	SA		HC07	2203-005148	C-CER,CHIP;100nF,10%,16V,X7R,TP,160	1	SA	
CER16	2007-000090	R-CHIP;10Kohm,5%,1/10W,TP,1608	1	SA		HC08	2203-005148	C-CER,CHIP;100nF,10%,16V,X7R,TP,160	1	SA	
CER17	2007-000090	R-CHIP;10Kohm,5%,1/10W,TP,1608	1	SA		HC09	2203-005065	C-CER,CHIP;1000nF,+80-20%,10V,Y5V,1	1	SA	
CER18	2007-000074	R-CHIP;100ohm,5%,1/10W,TP,1608	1	SA		HC10	2203-005065	C-CER,CHIP;1000nF,+80-20%,10V,Y5V,1	1	SA	
CER19	2007-000074	R-CHIP;100ohm,5%,1/10W,TP,1608	1	SA		HC11	2203-005148	C-CER,CHIP;100nF,10%,16V,X7R,TP,160	1	SA	
CER2	2007-000070	R-CHIP;0ohm,5%,1/10W,TP,1608	1	SA		HC12	2203-005148	C-CER,CHIP;100nF,10%,16V,X7R,TP,160	1	SA	
CER21	2007-000074	R-CHIP;100ohm,5%,1/10W,TP,1608	1	SA		HC13	2203-005065	C-CER,CHIP;1000nF,+80-20%,10V,Y5V,1	1	SA	
CER22	2007-000070	R-CHIP;0ohm,5%,1/10W,TP,1608	1	SA		HC14	2203-005065	C-CER,CHIP;1000nF,+80-20%,10V,Y5V,1	1	SA	
CER28	2007-000090	R-CHIP;10Kohm,5%,1/10W,TP,1608	1	SA		HC15	2203-005148	C-CER,CHIP;100nF,10%,16V,X7R,TP,160	1	SA	
CER3	2007-000071	R-CHIP;22ohm,5%,1/10W,TP,1608	1	SA		HC16	2401-002042	C-AL;220uF,20%,10V,GP,TP,6.3x11.5	1	SA	
CER30	2007-000090	R-CHIP;10Kohm,5%,1/10W,TP,1608	1	SA		HC17	2203-005148	C-CER,CHIP;100nF,10%,16V,X7R,TP,160	1	SA	
CER33	2007-000109	R-CHIP;1Mohm,5%,1/10W,TP,1608	1	SA		HC18	2203-005148	C-CER,CHIP;100nF,10%,16V,X7R,TP,160	1	SA	
CER34	2007-000074	R-CHIP;100ohm,5%,1/10W,TP,1608	1	SA		HC19	2203-005148	C-CER,CHIP;100nF,10%,16V,X7R,TP,160	1	SA	
CER35	2007-000090	R-CHIP;10Kohm,5%,1/10W,TP,1608	1	SA		HC20	2203-005065	C-CER,CHIP;1000nF,+80-20%,10V,Y5V,1	1	SA	
CER36	2007-000090	R-CHIP;10Kohm,5%,1/10W,TP,1608	1	SA		HC21	2203-005148	C-CER,CHIP;100nF,10%,16V,X7R,TP,160	1	SA	
CER39	2007-000090	R-CHIP;10Kohm,5%,1/10W,TP,1608	1	SA		HC22	2203-005148	C-CER,CHIP;100nF,10%,16V,X7R,TP,160	1	SA	
CER48	3301-001495	BEAD-SMD;120ohm,2012,2500mA,TP,115o	1	SA		HC23	2203-005148	C-CER,CHIP;100nF,10%,16V,X7R,TP,160	1	SA	
CER49	3301-001495	BEAD-SMD;120ohm,2012,2500mA,TP,115o	1	SA		HC24	2401-001092	C-AL;330uF,20%,10V,GP,-,8x11.5,2.5m	1	SA	
CER52	2007-000074	R-CHIP;100ohm,5%,1/10W,TP,1608	1	SA		HC25	2401-001092	C-AL;330uF,20%,10V,GP,-,8x11.5,2.5m	1	SA	
CER54	2007-000090	R-CHIP;10Kohm,5%,1/10W,TP,1608	1	SA		HC26	2203-005148	C-CER,CHIP;100nF,10%,16V,X7R,TP,160	1	SA	
CER55	2007-000084	R-CHIP;4.7Kohm,5%,1/10W,TP,1608	1	SA		HC27	2203-005148	C-CER,CHIP;100nF,10%,16V,X7R,TP,160	1	SA	
CER6	2007-000071	R-CHIP;22ohm,5%,1/10W,TP,1608	1	SA		HC28	2401-000042	C-AL;100uF,20%,16V,GP,TP,6.3x7.5	1	SA	
CER61	2007-000122	R-CHIP;1.2Kohm,5%,1/10W,TP,1608	1	SA		HC29	2203-005148	C-CER,CHIP;100nF,10%,16V,X7R,TP,160	1	SA	
CER62	2007-000081	R-CHIP;2.7Kohm,5%,1/10W,TP,1608	1	SA		HC30	2203-005148	C-CER,CHIP;100nF,10%,16V,X7R,TP,160	1	SA	
CER63	2007-000093	R-CHIP;20Kohm,5%,1/10W,TP,1608	1	SA		HC31	2203-005148	C-CER,CHIP;100nF,10%,16V,X7R,TP,160	1	SA	
CER64	2007-000070	R-CHIP;0ohm,5%,1/10W,TP,1608	1	SA		HC32	2401-001092	C-AL;330uF,20%,10V,GP,-,8x11.5,2.5m	1	SA	
CER7	3301-001495	BEAD-SMD;120ohm,2012,2500mA,TP,115o	1	SA		HC33	2401-001092	C-AL;330uF,20%,10V,GP,-,8x11.5,2.5m	1	SA	
CER8	2007-000084	R-CHIP;4.7Kohm,5%,1/10W,TP,1608	1	SA		HC34	2203-005148	C-CER,CHIP;100nF,10%,16V,X7R,TP,160	1	SA	
CER9	2007-000084	R-CHIP;4.7Kohm,5%,1/10W,TP,1608	1	SA		HC35	2203-005148	C-CER,CHIP;100nF,10%,16V,X7R,TP,160	1	SA	
CN01	3708-002023	CONNECTOR-FPC/FFC/PIC;6P,1MM,SMD-S,	1	SA		HC36	2203-001086	C-CER,CHIP;0.0050nF,0.25pF,50V,NP0,	1	SA	
CN02	3711-005155	HEADER-BOARD TO CABLE;BOX,5P,1R,2MM	1	SA		HC37	2203-000280	C-CER,CHIP;0.01nF,0.5pF,50V,C0G,160	1	SA	
CN03	3708-001765	CONNECTOR-FPC/FFC/PIC;24P,0.5mm,SMD	1	SA		HC38	2203-000280	C-CER,CHIP;0.01nF,0.5pF,50V,C0G,160	1	SA	
CN05	3711-000471	HEADER-BOARD TO CABLE;3WALL,4P,1R,2	1	SA		HD01	0401-001090	DIODE-SWITCHING;1SS355,80V,100MA,SO	1	SA	
CR17	2007-000552	R-CHIP;20ohm,5%,1/10W,TP,1608	1	SA		HD02	0402-000309	DIODE-RECTIFIER;1SR154-400,400V,1A,	1	SA	
CR18	2007-000552	R-CHIP;20ohm,5%,1/10W,TP,1608	1	SA		HL01	3301-001495	BEAD-SMD;120ohm,2012,2500mA,TP,115o	1	SA	
CR30	2007-000090	R-CHIP;10Kohm,5%,1/10W,TP,1608	1	SA		HL02	3301-001495	BEAD-SMD;120ohm,2012,2500mA,TP,115o	1	SA	
EBD11	3301-001495	BEAD-SMD;120ohm,2012,2500mA,TP,115o	1	SA		HL03	3301-001495	BEAD-SMD;120ohm,2012,2500mA,TP,115o	1	SA	
EBD12	3301-001495	BEAD-SMD;120ohm,2012,2500mA,TP,115o	1	SA		HL04	3301-001495	BEAD-SMD;120ohm,2012,2500mA,TP,115o	1	SA	
						HL05	2007-000070	R-CHIP;0ohm,5%,1/10W,TP,1608	1	SA	

Exploded View & Part List

Loc. No.	Part No.	Description;Specification	Q'ty	SNA	Remark	Loc. No.	Part No.	Description;Specification	Q'ty	SNA	Remark
HL06	3301-001495	BEAD-SMD;120ohm,2012,2500mA,TP,115o	1	SA		HR56	2007-000097	R-CHIP;47Kohm,5%,1/10W,TP,1608	1	SA	
HL07	2007-000070	R-CHIP;0ohm,5%,1/10W,TP,1608	1	SA		HR57	2007-000078	R-CHIP;1Kohm,5%,1/10W,TP,1608	1	SA	
HL08	2007-000070	R-CHIP;0ohm,5%,1/10W,TP,1608	1	SA		HR58	2007-000084	R-CHIP;4.7Kohm,5%,1/10W,TP,1608	1	SA	
HL09	3301-001495	BEAD-SMD;120ohm,2012,2500mA,TP,115o	1	SA		HR59	2007-000084	R-CHIP;4.7Kohm,5%,1/10W,TP,1608	1	SA	
HL10	2901-001302	FILTER-EMI SMD;20V,0.3A,0pF,2.0x1.2	1	SA		HR60	2007-000084	R-CHIP;4.7Kohm,5%,1/10W,TP,1608	1	SA	
HL11	2901-001302	FILTER-EMI SMD;20V,0.3A,0pF,2.0x1.2	1	SA		HR61	2007-000074	R-CHIP;100ohm,5%,1/10W,TP,1608	1	SA	
HL12	2901-001302	FILTER-EMI SMD;20V,0.3A,0pF,2.0x1.2	1	SA		HR62	2007-000074	R-CHIP;100ohm,5%,1/10W,TP,1608	1	SA	
HL13	2901-001302	FILTER-EMI SMD;20V,0.3A,0pF,2.0x1.2	1	SA		H-SINK	AH62-00062G	HEAT SINK-TR;HT-DS400,AL EXTR,-,-,-	1	SA	
HL14	3301-001495	BEAD-SMD;120ohm,2012,2500mA,TP,115o	1	SA		IC31	1205-003381	IC-TRANSMITTER;ES7108S,LQFP,80P,12x	1	SA	
HL15	3301-001069	BEAD-SMD;120ohm,1.6x0.8x0.8mm,200mA	1	SA		IPB1	3301-001495	BEAD-SMD;120ohm,2012,2500mA,TP,115o	1	SA	
HL16	3301-001069	BEAD-SMD;120ohm,1.6x0.8x0.8mm,200mA	1	SA		IPB8	3301-001495	BEAD-SMD;120ohm,2012,2500mA,TP,115o	1	SA	
HL17	3301-001069	BEAD-SMD;120ohm,1.6x0.8x0.8mm,200mA	1	SA		IPR21	2007-000070	R-CHIP;0ohm,5%,1/10W,TP,1608	1	SA	
HL18	3301-001069	BEAD-SMD;120ohm,1.6x0.8x0.8mm,200mA	1	SA		JK7	3701-001313	CONNECTOR-HDMI;19P,2R,PLUG,ANGLE,AU	1	SA	
HL19	3301-001069	BEAD-SMD;120ohm,1.6x0.8x0.8mm,200mA	1	SA		JP6	3722-002092	JACK-PIN;3P,NL-P,WHT/YEL/RED,ANGLE	1	SA	
HL20	3301-001069	BEAD-SMD;120ohm,1.6x0.8x0.8mm,200mA	1	SA		KBD4	2203-005148	C-CER,CHIP;100nF,10%,16V,X7R,TP,160	1	SA	
HL21	3301-001069	BEAD-SMD;120ohm,1.6x0.8x0.8mm,200mA	1	SA		KBD6	3301-001495	BEAD-SMD;120ohm,2012,2500mA,TP,115o	1	SA	
HL22	3301-001069	BEAD-SMD;120ohm,1.6x0.8x0.8mm,200mA	1	SA		MAIN_PCB	AH41-01099A	PCB-MAIN;HT-Z310,PENNL,2.0,1.6T,24	1	SNA	
HL23	3301-001069	BEAD-SMD;120ohm,1.6x0.8x0.8mm,200mA	1	SA		MB01	3301-001495	BEAD-SMD;120ohm,2012,2500mA,TP,115o	1	SA	
HL24	3301-001069	BEAD-SMD;120ohm,1.6x0.8x0.8mm,200mA	1	SA		MB02	3301-001495	BEAD-SMD;120ohm,2012,2500mA,TP,115o	1	SA	
HL25	3301-001069	BEAD-SMD;120ohm,1.6x0.8x0.8mm,200mA	1	SA		MB03	3301-001495	BEAD-SMD;120ohm,2012,2500mA,TP,115o	1	SA	
HL26	3301-001069	BEAD-SMD;120ohm,1.6x0.8x0.8mm,200mA	1	SA		MB04	3301-001069	BEAD-SMD;120ohm,1.6x0.8x0.8mm,200mA	1	SA	
HL27	3301-001069	BEAD-SMD;120ohm,1.6x0.8x0.8mm,200mA	1	SA		MB05	3301-001495	BEAD-SMD;120ohm,2012,2500mA,TP,115o	1	SA	
HL28	3301-001069	BEAD-SMD;120ohm,1.6x0.8x0.8mm,200mA	1	SA		MB06	3301-001495	BEAD-SMD;120ohm,2012,2500mA,TP,115o	1	SA	
HL29	3301-001069	BEAD-SMD;120ohm,1.6x0.8x0.8mm,200mA	1	SA		MB07	3301-001495	BEAD-SMD;120ohm,2012,2500mA,TP,115o	1	SA	
HL30	3301-001069	BEAD-SMD;120ohm,1.6x0.8x0.8mm,200mA	1	SA		MB08	3301-001495	BEAD-SMD;120ohm,2012,2500mA,TP,115o	1	SA	
HL31	3301-001495	BEAD-SMD;120ohm,2012,2500mA,TP,115o	1	SA		MB09	3301-001069	BEAD-SMD;120ohm,1.6x0.8x0.8mm,200mA	1	SA	
HL32	2007-000070	R-CHIP;0ohm,5%,1/10W,TP,1608	1	SA		MB10	3301-001495	BEAD-SMD;120ohm,2012,2500mA,TP,115o	1	SA	
HL33	2007-000070	R-CHIP;0ohm,5%,1/10W,TP,1608	1	SA		MB14	3301-001495	BEAD-SMD;120ohm,2012,2500mA,TP,115o	1	SA	
HQ01	0505-000110	FET-SILICON;2N7002,N,60V,115mA,7.5o	1	SA		MB15	3301-001495	BEAD-SMD;120ohm,2012,2500mA,TP,115o	1	SA	
HQ02	0505-000110	FET-SILICON;2N7002,N,60V,115mA,7.5o	1	SA		MB16	3301-001495	BEAD-SMD;120ohm,2012,2500mA,TP,115o	1	SA	
HQ03	0504-000128	TR-DIGITAL;-;NPN,200MW,22K/22K,SOT-	1	SA		MC01	2401-000042	C-AL;100uF,20%,16V,GP,TP,6.3x7,5	1	SA	
HR27	2007-000075	R-CHIP;220ohm,5%,1/10W,TP,1608	1	SA		MC02	2203-005148	C-CER,CHIP;100nF,10%,16V,X7R,TP,160	1	SA	
HR28	2007-000075	R-CHIP;220ohm,5%,1/10W,TP,1608	1	SA		MC03	2401-000414	C-AL;10uF,20%,16V,GP,TP,4x7,5	1	SA	
HR29	2007-000075	R-CHIP;220ohm,5%,1/10W,TP,1608	1	SA		MC04	2203-005148	C-CER,CHIP;100nF,10%,16V,X7R,TP,160	1	SA	
HR30	2007-000075	R-CHIP;220ohm,5%,1/10W,TP,1608	1	SA		MC05	2401-001092	C-AL;330uF,20%,10V,GP,-,8x11.5,2.5mm	1	SA	
HR31	2007-000075	R-CHIP;220ohm,5%,1/10W,TP,1608	1	SA		MC06	2203-005148	C-CER,CHIP;100nF,10%,16V,X7R,TP,160	1	SA	
HR32	2007-000079	R-CHIP;1.8Kohm,5%,1/10W,TP,1608	1	SA		MC07	2203-005148	C-CER,CHIP;100nF,10%,16V,X7R,TP,160	1	SA	
HR33	2007-000070	R-CHIP;0ohm,5%,1/10W,TP,1608	1	SA		MC08	2203-005148	C-CER,CHIP;100nF,10%,16V,X7R,TP,160	1	SA	
HR34	2007-000070	R-CHIP;0ohm,5%,1/10W,TP,1608	1	SA		MC09	2203-005148	C-CER,CHIP;100nF,10%,16V,X7R,TP,160	1	SA	
HR35	2007-000070	R-CHIP;0ohm,5%,1/10W,TP,1608	1	SA		MC10	2203-005148	C-CER,CHIP;100nF,10%,16V,X7R,TP,160	1	SA	
HR36	2007-000070	R-CHIP;0ohm,5%,1/10W,TP,1608	1	SA		MC11	2203-005148	C-CER,CHIP;100nF,10%,16V,X7R,TP,160	1	SA	
HR37	2007-000084	R-CHIP;4.7Kohm,5%,1/10W,TP,1608	1	SA		MC12	2203-005148	C-CER,CHIP;100nF,10%,16V,X7R,TP,160	1	SA	
HR38	2007-000084	R-CHIP;4.7Kohm,5%,1/10W,TP,1608	1	SA		MC14	2203-005148	C-CER,CHIP;100nF,10%,16V,X7R,TP,160	1	SA	
HR39	2007-000070	R-CHIP;0ohm,5%,1/10W,TP,1608	1	SA		MC15	2203-005148	C-CER,CHIP;100nF,10%,16V,X7R,TP,160	1	SA	
HR40	2007-000729	R-CHIP;300ohm,5%,1/10W,TP,1608	1	SA		MC16	2203-005148	C-CER,CHIP;100nF,10%,16V,X7R,TP,160	1	SA	
HR41	2007-000084	R-CHIP;4.7Kohm,5%,1/10W,TP,1608	1	SA		MC17	2203-005148	C-CER,CHIP;100nF,10%,16V,X7R,TP,160	1	SA	
HR42	2007-000074	R-CHIP;100ohm,5%,1/10W,TP,1608	1	SA		MC18	2203-005148	C-CER,CHIP;100nF,10%,16V,X7R,TP,160	1	SA	
HR43	2007-000074	R-CHIP;100ohm,5%,1/10W,TP,1608	1	SA		MC19	2203-005148	C-CER,CHIP;100nF,10%,16V,X7R,TP,160	1	SA	
HR44	2007-000503	R-CHIP;2.2ohm,5%,1/10W,TP,1608	1	SA		MC21	2401-000042	C-AL;100uF,20%,16V,GP,TP,6.3x7,5	1	SA	
HR45	2007-000503	R-CHIP;2.2ohm,5%,1/10W,TP,1608	1	SA		MC22	2203-005148	C-CER,CHIP;100nF,10%,16V,X7R,TP,160	1	SA	
HR46	2007-000503	R-CHIP;2.2ohm,5%,1/10W,TP,1608	1	SA		MC23	2203-005148	C-CER,CHIP;100nF,10%,16V,X7R,TP,160	1	SA	
HR47	2007-000503	R-CHIP;2.2ohm,5%,1/10W,TP,1608	1	SA		MC24	2203-005148	C-CER,CHIP;100nF,10%,16V,X7R,TP,160	1	SA	
HR48	2007-000503	R-CHIP;2.2ohm,5%,1/10W,TP,1608	1	SA		MC25	2203-005148	C-CER,CHIP;100nF,10%,16V,X7R,TP,160	1	SA	
HR49	2007-000503	R-CHIP;2.2ohm,5%,1/10W,TP,1608	1	SA		MC27	2203-005148	C-CER,CHIP;100nF,10%,16V,X7R,TP,160	1	SA	
HR50	2007-000503	R-CHIP;2.2ohm,5%,1/10W,TP,1608	1	SA		MC31	2401-000042	C-AL;100uF,20%,16V,GP,TP,6.3x7,5	1	SA	
HR51	2007-000503	R-CHIP;2.2ohm,5%,1/10W,TP,1608	1	SA		MC32	2203-005148	C-CER,CHIP;100nF,10%,16V,X7R,TP,160	1	SA	
HR52	2007-000643	R-CHIP;270ohm,5%,1/10W,TP,1608	1	SA		MC33	2401-000042	C-AL;100uF,20%,16V,GP,TP,6.3x7,5	1	SA	
HR53	2007-000116	R-CHIP;120ohm,5%,1/10W,TP,1608	1	SA		MC34	2203-005148	C-CER,CHIP;100nF,10%,16V,X7R,TP,160	1	SA	

Loc. No.	Part No.	Description;Specification	Q'ty	SNA	Remark	Loc. No.	Part No.	Description;Specification	Q'ty	SNA	Remark
MC35	2401-000042	C-AL;100uF,20%,16V,GP,TP,6.3x7,5	1	SA		MR111	2007-000309	R-CHIP;10ohm,5%,1/10W,TP,1608	1	SA	
MC36	2203-005148	C-CER,CHIP;100nF,10%,16V,X7R,TP,160	1	SA		MR112	2007-000309	R-CHIP;10ohm,5%,1/10W,TP,1608	1	SA	
MC37	2203-000062	C-CER,CHIP;47nF,+80-20%,50V,Y5V,160	1	SA		MR113	2007-000309	R-CHIP;10ohm,5%,1/10W,TP,1608	1	SA	
MC38	2203-005148	C-CER,CHIP;100nF,10%,16V,X7R,TP,160	1	SA		MR114	2007-000309	R-CHIP;10ohm,5%,1/10W,TP,1608	1	SA	
MC39	2203-005148	C-CER,CHIP;100nF,10%,16V,X7R,TP,160	1	SA		MR12	2011-000816	R-NETWORK;100ohm,5%,1/16W,L,CHIP,8P	1	SA	
MC40	2203-000646	C-CER,CHIP;0.024NF,5%,50V,C0G,TP,16	1	SA		MR120	2007-000081	R-CHIP;2.7Kohm,5%,1/10W,TP,1608	1	SA	
MC41	2203-000681	C-CER,CHIP;0.027nF,5%,50V,C0G,1608	1	SA		MR121	2007-000074	R-CHIP;100ohm,5%,1/10W,TP,1608	1	SA	
MC42	2203-005148	C-CER,CHIP;100nF,10%,16V,X7R,TP,160	1	SA		MR122	2007-000074	R-CHIP;100ohm,5%,1/10W,TP,1608	1	SA	
MC43	2203-005148	C-CER,CHIP;100nF,10%,16V,X7R,TP,160	1	SA		MR123	2007-000074	R-CHIP;100ohm,5%,1/10W,TP,1608	1	SA	
MC45	2401-000042	C-AL;100uF,20%,16V,GP,TP,6.3x7,5	1	SA		MR124	2007-000074	R-CHIP;100ohm,5%,1/10W,TP,1608	1	SA	
MC46	2203-005148	C-CER,CHIP;100nF,10%,16V,X7R,TP,160	1	SA		MR125	2007-000074	R-CHIP;100ohm,5%,1/10W,TP,1608	1	SA	
MC47	2203-005148	C-CER,CHIP;100nF,10%,16V,X7R,TP,160	1	SA		MR126	2007-000074	R-CHIP;100ohm,5%,1/10W,TP,1608	1	SA	
MC48	2203-005148	C-CER,CHIP;100nF,10%,16V,X7R,TP,160	1	SA		MR127	2007-000074	R-CHIP;100ohm,5%,1/10W,TP,1608	1	SA	
MC49	2203-005148	C-CER,CHIP;100nF,10%,16V,X7R,TP,160	1	SA		MR13	2007-000074	R-CHIP;100ohm,5%,1/10W,TP,1608	1	SA	
MC50	2203-005148	C-CER,CHIP;100nF,10%,16V,X7R,TP,160	1	SA		MR14	2007-000074	R-CHIP;100ohm,5%,1/10W,TP,1608	1	SA	
MC51	2203-005148	C-CER,CHIP;100nF,10%,16V,X7R,TP,160	1	SA		MR15	2007-000084	R-CHIP;4.7Kohm,5%,1/10W,TP,1608	1	SA	
MC52	2203-005148	C-CER,CHIP;100nF,10%,16V,X7R,TP,160	1	SA		MR16	2007-000084	R-CHIP;4.7Kohm,5%,1/10W,TP,1608	1	SA	
MC52A	2203-001086	C-CER,CHIP;0.0050nF,0.25pF,50V,NP0,	1	SA		MR17	2007-000084	R-CHIP;4.7Kohm,5%,1/10W,TP,1608	1	SA	
MC56	2401-000042	C-AL;100uF,20%,16V,GP,TP,6.3x7,5	1	SA		MR1A	2007-000113	R-CHIP;33ohm,5%,1/10W,TP,1608	1	SA	
MC57	2203-005148	C-CER,CHIP;100nF,10%,16V,X7R,TP,160	1	SA		MR201	2007-000113	R-CHIP;33ohm,5%,1/10W,TP,1608	1	SA	
MC58	2203-005148	C-CER,CHIP;100nF,10%,16V,X7R,TP,160	1	SA		MR202	2007-000113	R-CHIP;33ohm,5%,1/10W,TP,1608	1	SA	
MC61	2401-000042	C-AL;100uF,20%,16V,GP,TP,6.3x7,5	1	SA		MR22	2007-000084	R-CHIP;4.7Kohm,5%,1/10W,TP,1608	1	SA	
MC62	2203-000189	C-CER,CHIP;100nF,+80-20%,25V,Y5V,16	1	SA		MR23	2007-000074	R-CHIP;100ohm,5%,1/10W,TP,1608	1	SA	
MC63	2203-000972	C-CER,CHIP;47nF,10%,16V,X7R,1608	1	SA		MR24	2007-000084	R-CHIP;4.7Kohm,5%,1/10W,TP,1608	1	SA	
MC66	2203-005148	C-CER,CHIP;100nF,10%,16V,X7R,TP,160	1	SA		MR26	2007-000113	R-CHIP;33ohm,5%,1/10W,TP,1608	1	SA	
MC67	2203-005148	C-CER,CHIP;100nF,10%,16V,X7R,TP,160	1	SA		MR27	2007-000090	R-CHIP;10Kohm,5%,1/10W,TP,1608	1	SA	
MC68	2203-005148	C-CER,CHIP;100nF,10%,16V,X7R,TP,160	1	SA		MR28	2007-000113	R-CHIP;33ohm,5%,1/10W,TP,1608	1	SA	
MC75	2401-001938	C-AL;22uF,20%,25V,GP,TP,5x11mm,5mm	1	SA		MR29	2007-000113	R-CHIP;33ohm,5%,1/10W,TP,1608	1	SA	
MC76	2401-001938	C-AL;22uF,20%,25V,GP,TP,5x11mm,5mm	1	SA		MR2A	2007-000113	R-CHIP;33ohm,5%,1/10W,TP,1608	1	SA	
MC77	2203-005148	C-CER,CHIP;100nF,10%,16V,X7R,TP,160	1	SA		MR30	2007-000113	R-CHIP;33ohm,5%,1/10W,TP,1608	1	SA	
MCON1	3711-000452	CONNECTOR-HEADER;BOX,3P,1R,2mm,STRA	1	SA		MR31	2007-000074	R-CHIP;100ohm,5%,1/10W,TP,1608	1	SA	
MCON12	3708-001086	CONNECTOR-FPC/FFC/PIC;28P,1.25MM,ST	1	SA		MR32	2007-000074	R-CHIP;100ohm,5%,1/10W,TP,1608	1	SA	
MCON2	AH39-00855A	WIRE HARNESS;HT-Q20,-,1007,15P,110m	1	SA		MR33	2007-000074	R-CHIP;100ohm,5%,1/10W,TP,1608	1	SA	
MCON3	3708-001033	CONNECTOR-FPC/FFC/PIC;22P,1.25MM,ST	1	SA		MR34	2007-000084	R-CHIP;4.7Kohm,5%,1/10W,TP,1608	1	SA	
MCON6	3708-000448	CONNECTOR-FPC/FFC/PIC;6P,1.25MM,STR	1	SA		MR35	2007-000078	R-CHIP;1Kohm,5%,1/10W,TP,1608	1	SA	
MCON8	AH40-00130A	TUNER;KST-MW104FV1-E50LCE,HT-Q40,FM	1	SA		MR36	2011-000816	R-NETWORK;100ohm,5%,1/16W,L,CHIP,8P	1	SA	
MD01	0401-001090	DIODE-SWITCHING;1SS355,80V,100MA,SO	1	SA		MR37	2007-000118	R-CHIP;390ohm,5%,1/10W,TP,1608	1	SA	
MIC1	1204-002847	IC-PALNTSC DECODER;ES8391SCC,LQFP,	1	SA		MR38	2007-000070	R-CHIP;0ohm,5%,1/10W,TP,1608	1	SA	
MIC10	0801-002391	IC-CMOS LOGIC;74LCX00,NAND GATE,TSS	1	SA		MR3A	2007-000070	R-CHIP;0ohm,5%,1/10W,TP,1608	1	SA	
MIC2	1105-001573	IC-DRAM;K4S281632,-,128Mbit,8Mx16Bi	1	SA		MR47	2007-000552	R-CHIP;20ohm,5%,1/10W,TP,1608	1	SA	
MIC3	1107-001600	IC-NOR FLASH;MX25L1605A,16Mbit,2Mx8	1	SA		MR48	2007-000552	R-CHIP;20ohm,5%,1/10W,TP,1608	1	SA	
MIC5	0801-002683	IC-CMOS LOGIC;74HCT245,TRANSCEIVER,	1	SA		MR49	2007-000133	R-CHIP;330Kohm,5%,1/10W,TP,1608	1	SA	
MIC6	1103-001333	IC-EEPROM;24C08A,1Kx8Bit,SOP,8P,5x4	1	SA		MR4A	2007-000113	R-CHIP;33ohm,5%,1/10W,TP,1608	1	SA	
MR01	2007-000074	R-CHIP;100ohm,5%,1/10W,TP,1608	1	SA		MR51	2007-000102	R-CHIP;100Kohm,5%,1/10W,TP,1608	1	SA	
MR02	2007-000074	R-CHIP;100ohm,5%,1/10W,TP,1608	1	SA		MR52	2007-000113	R-CHIP;33ohm,5%,1/10W,TP,1608	1	SA	
MR03	2011-000816	R-NETWORK;100ohm,5%,1/16W,L,CHIP,8P	1	SA		MR54	2007-000084	R-CHIP;4.7Kohm,5%,1/10W,TP,1608	1	SA	
MR04	2011-000816	R-NETWORK;100ohm,5%,1/16W,L,CHIP,8P	1	SA		MR58	2007-000084	R-CHIP;4.7Kohm,5%,1/10W,TP,1608	1	SA	
MR05	2011-000816	R-NETWORK;100ohm,5%,1/16W,L,CHIP,8P	1	SA		MR61	2007-000070	R-CHIP;0ohm,5%,1/10W,TP,1608	1	SA	
MR06	2011-000816	R-NETWORK;100ohm,5%,1/16W,L,CHIP,8P	1	SA		MR62	2007-000077	R-CHIP;470ohm,5%,1/10W,TP,1608	1	SA	
MR07	2011-000816	R-NETWORK;100ohm,5%,1/16W,L,CHIP,8P	1	SA		MR63	2007-000090	R-CHIP;10Kohm,5%,1/10W,TP,1608	1	SA	
MR08	2011-000816	R-NETWORK;100ohm,5%,1/16W,L,CHIP,8P	1	SA		MR64	2007-000090	R-CHIP;10Kohm,5%,1/10W,TP,1608	1	SA	
MR09	2011-000816	R-NETWORK;100ohm,5%,1/16W,L,CHIP,8P	1	SA		MR69	2007-000074	R-CHIP;100ohm,5%,1/10W,TP,1608	1	SA	
MR10	2011-000816	R-NETWORK;100ohm,5%,1/16W,L,CHIP,8P	1	SA		MR70	2007-000074	R-CHIP;100ohm,5%,1/10W,TP,1608	1	SA	
MR100	2007-000121	R-CHIP;820ohm,5%,1/10W,TP,1608	1	SA		MR70A	2007-000084	R-CHIP;4.7Kohm,5%,1/10W,TP,1608	1	SA	
MR101	2007-000113	R-CHIP;33ohm,5%,1/10W,TP,1608	1	SA		MR71	2007-000078	R-CHIP;1Kohm,5%,1/10W,TP,1608	1	SA	
MR102	2007-000113	R-CHIP;33ohm,5%,1/10W,TP,1608	1	SA		MR72	2007-000078	R-CHIP;1Kohm,5%,1/10W,TP,1608	1	SA	
MR103	2007-000113	R-CHIP;33ohm,5%,1/10W,TP,1608	1	SA		MR73	2007-000081	R-CHIP;2.7Kohm,5%,1/10W,TP,1608	1	SA	
MR104	2007-000113	R-CHIP;33ohm,5%,1/10W,TP,1608	1	SA		MR74	2007-000081	R-CHIP;2.7Kohm,5%,1/10W,TP,1608	1	SA	
MR11	2011-000816	R-NETWORK;100ohm,5%,1/16W,L,CHIP,8P	1	SA							

Exploded View & Part List

Loc. No.	Part No.	Description;Specification	Q'ty	SNA	Remark	Loc. No.	Part No.	Description;Specification	Q'ty	SNA	Remark
MR75	2007-000084	R-CHIP;4.7Kohm,5%,1/10W,TP,1608	1	SA		RB07	3301-001495	BEAD-SMD;120ohm,2012,2500mA,TP,115o	1	SA	
MR76	2007-000084	R-CHIP;4.7Kohm,5%,1/10W,TP,1608	1	SA		RB08	3301-001495	BEAD-SMD;120ohm,2012,2500mA,TP,115o	1	SA	
MR84	2007-000070	R-CHIP;0ohm,5%,1/10W,TP,1608	1	SA		RB09	3301-001495	BEAD-SMD;120ohm,2012,2500mA,TP,115o	1	SA	
MR85	2007-000070	R-CHIP;0ohm,5%,1/10W,TP,1608	1	SA		RB1A	3301-001495	BEAD-SMD;120ohm,2012,2500mA,TP,115o	1	SA	
MR86	2007-000070	R-CHIP;0ohm,5%,1/10W,TP,1608	1	SA		RC01	2401-001355	C-AL;470uF,20%,10V,GP,TP,8x11.5mm,5	1	SA	
MR89	2007-000113	R-CHIP;33ohm,5%,1/10W,TP,1608	1	SA		RC02	2203-000257	C-CER,CHIP;10nF,10%,50V,X7R,TP,1608	1	SA	
MR90	2007-000113	R-CHIP;33ohm,5%,1/10W,TP,1608	1	SA		RC03	2203-000189	C-CER,CHIP;100nF,+80-20%,25V,Y5V,16	1	SA	
MR91	2007-000113	R-CHIP;33ohm,5%,1/10W,TP,1608	1	SA		RC07	2401-000042	C-AL;100uF,20%,16V,GP,TP,6.3x7,5	1	SA	
MR92	2007-000119	R-CHIP;560ohm,5%,1/10W,TP,1608	1	SA		RC08	2203-005148	C-CER,CHIP;100nF,10%,16V,X7R,TP,160	1	SA	
MR93	2007-000074	R-CHIP;100ohm,5%,1/10W,TP,1608	1	SA		RC10	2203-005148	C-CER,CHIP;100nF,10%,16V,X7R,TP,160	1	SA	
MR94	2007-000078	R-CHIP;1Kohm,5%,1/10W,TP,1608	1	SA		RC16	2401-000804	C-AL;220uF,20%,16V,GP,TP,8x9mm,5	1	SA	
MR95	2007-000078	R-CHIP;1Kohm,5%,1/10W,TP,1608	1	SA		RC17	2203-005148	C-CER,CHIP;100nF,10%,16V,X7R,TP,160	1	SA	
MR98	2007-000070	R-CHIP;0ohm,5%,1/10W,TP,1608	1	SA		RC18	2203-005148	C-CER,CHIP;100nF,10%,16V,X7R,TP,160	1	SA	
MR99	2007-000070	R-CHIP;0ohm,5%,1/10W,TP,1608	1	SA		RC19	2203-000189	C-CER,CHIP;100nF,+80-20%,25V,Y5V,16	1	SA	
MX01	2801-004284	CRYSTAL-SMD;27MHZ,10PPM,28-AAN,20PF	1	SA		RC20	2203-000189	C-CER,CHIP;100nF,+80-20%,25V,Y5V,16	1	SA	
OIC1	0603-001164	OPTIC TRANSMITTER;5V,16Mb/s,-,-,650	1	SA		RC21	2203-000189	C-CER,CHIP;100nF,+80-20%,25V,Y5V,16	1	SA	
OPTR1	2007-000070	R-CHIP;0ohm,5%,1/10W,TP,1608	1	SA		RC22	2401-000042	C-AL;100uF,20%,16V,GP,TP,6.3x7,5	1	SA	
OPTR2	2007-000070	R-CHIP;0ohm,5%,1/10W,TP,1608	1	SA		RC23	2203-000189	C-CER,CHIP;100nF,+80-20%,25V,Y5V,16	1	SA	
PB12	3301-001495	BEAD-SMD;120ohm,2012,2500mA,TP,115o	1	SA		RC24	2203-000440	C-CER,CHIP;1nF,10%,50V,X7R,1608	1	SA	
PB13	3301-001495	BEAD-SMD;120ohm,2012,2500mA,TP,115o	1	SA		RC25	2401-000042	C-AL;100uF,20%,16V,GP,TP,6.3x7,5	1	SA	
PB15	3301-001495	BEAD-SMD;120ohm,2012,2500mA,TP,115o	1	SA		RC26	2203-000440	C-CER,CHIP;1nF,10%,50V,X7R,1608	1	SA	
PB4	3301-001495	BEAD-SMD;120ohm,2012,2500mA,TP,115o	1	SA		RC27	2203-000189	C-CER,CHIP;100nF,+80-20%,25V,Y5V,16	1	SA	
PB5	3301-001495	BEAD-SMD;120ohm,2012,2500mA,TP,115o	1	SA		RC29	2203-000189	C-CER,CHIP;100nF,+80-20%,25V,Y5V,16	1	SA	
PC1	2401-001102	C-AL;330uF,20%,16V,GP,TP,8x11.5mm,5	1	SA		RC42	2203-005015	C-CER,CHIP;150nF,+80-20%,16V,Y5V,16	1	SA	
PC10	2203-005249	C-CER,CHIP;100nF,10%,50V,X7R,1608	1	SA		RC43	2203-000440	C-CER,CHIP;1nF,10%,50V,X7R,1608	1	SA	
PC2	2401-001102	C-AL;330uF,20%,16V,GP,TP,8x11.5mm,5	1	SA		RC44	2203-000888	C-CER,CHIP;4.7nF,10%,50V,X7R,1608	1	SA	
PC24	2401-001975	C-AL;47uF,20%,16V,GP,TP,5x11mm,5mm	1	SA		RC45	2203-005065	C-CER,CHIP;1000nF,+80-20%,10V,Y5V,1	1	SA	
PC3	2401-000118	C-AL;1000uF,20%,10V,GP,TP,10x12.5,5	1	SA		RC47	2401-001938	C-AL;22uF,20%,25V,GP,TP,5x11mm,5mm	1	SA	
PC4	2203-005249	C-CER,CHIP;100nF,10%,50V,X7R,1608	1	SA		RC49	2203-002398	C-CER,CHIP;22nF,10%,50V,X7R,1608	1	SA	
PC5	2401-000118	C-AL;1000uF,20%,10V,GP,TP,10x12.5,5	1	SA		RC50	2203-000280	C-CER,CHIP;0.01nF,0.5pF,50V,COG,160	1	SA	
PC6	2203-005249	C-CER,CHIP;100nF,10%,50V,X7R,1608	1	SA		RC51	2203-000236	C-CER,CHIP;0.1nF,5%,50V,COG,1608	1	SA	
PC7	2401-001364	C-AL;470uF,20%,16V,GP,TP,10x12.5,5	1	SA		RC52	2203-000440	C-CER,CHIP;1nF,10%,50V,X7R,1608	1	SA	
PC8	2203-005249	C-CER,CHIP;100nF,10%,50V,X7R,1608	1	SA		RC53	2401-000414	C-AL;10uF,20%,16V,GP,TP,4x7,5	1	SA	
PC9	2401-001102	C-AL;330uF,20%,16V,GP,TP,8x11.5mm,5	1	SA		RC54	2203-001126	C-CER,CHIP;0.68nF,10%,50V,X7R,1608	1	SA	
PIC1	1203-002935	IC-POSI.ADJUST REG.;AIC1117ACE,TO-2	1	SA		RC55	2203-005148	C-CER,CHIP;100nF,10%,16V,X7R,TP,160	1	SA	
PIC7	1203-002935	IC-POSI.ADJUST REG.;AIC1117ACE,TO-2	1	SA		RC55A	2203-000189	C-CER,CHIP;100nF,+80-20%,25V,Y5V,16	1	SA	
PQ1	0501-000341	TR-SMALL SIGNAL;KSC1623-L,NPN,200mW	1	SA		RC56	2203-005148	C-CER,CHIP;100nF,10%,16V,X7R,TP,160	1	SA	
PQ2	0501-000407	TR-SMALL SIGNAL;KSD471A-Y,NPN,800mW	1	SA		RC57	2203-000257	C-CER,CHIP;10nF,10%,50V,X7R,TP,1608	1	SA	
PQ3	0501-000002	TR-SMALL SIGNAL;KSA812,PNP,150MW,SO	1	SA		RC59	2203-000236	C-CER,CHIP;0.1nF,5%,50V,COG,1608	1	SA	
PQ4	0501-000002	TR-SMALL SIGNAL;KSA812,PNP,150MW,SO	1	SA		RC60	2401-001938	C-AL;22uF,20%,25V,GP,TP,5x11mm,5mm	1	SA	
PQ5	0501-000341	TR-SMALL SIGNAL;KSC1623-L,NPN,200mW	1	SA		RC61	2203-000257	C-CER,CHIP;10nF,10%,50V,X7R,TP,1608	1	SA	
PQ6	0504-000156	TR-DIGITAL;KSR2103,PNP,200MW,22K/22	1	SA		RC62	2203-005148	C-CER,CHIP;100nF,10%,16V,X7R,TP,160	1	SA	
PR1	2007-000097	R-CHIP;47Kohm,5%,1/10W,TP,1608	1	SA		RC63	2203-001652	C-CER,CHIP;470nF,+80-20%,16V,Y5V,16	1	SA	
PR10	2007-000293	R-CHIP;100ohm,5%,1/4W,TP,3216	1	SA		RC64	2203-000257	C-CER,CHIP;10nF,10%,50V,X7R,TP,1608	1	SA	
PR2	2007-000094	R-CHIP;22Kohm,5%,1/10W,TP,1608	1	SA		RC65	2203-001652	C-CER,CHIP;470nF,+80-20%,16V,Y5V,16	1	SA	
PR3	2007-000124	R-CHIP;2.2Kohm,5%,1/10W,TP,1608	1	SA		RC66	2203-000257	C-CER,CHIP;10nF,10%,50V,X7R,TP,1608	1	SA	
PR4	2007-000078	R-CHIP;1Kohm,5%,1/10W,TP,1608	1	SA		RC67	2401-001938	C-AL;22uF,20%,25V,GP,TP,5x11mm,5mm	1	SA	
PR5	2007-000078	R-CHIP;1Kohm,5%,1/10W,TP,1608	1	SA		RC68	2203-005148	C-CER,CHIP;100nF,10%,16V,X7R,TP,160	1	SA	
PR6	2007-000102	R-CHIP;100Kohm,5%,1/10W,TP,1608	1	SA		RC69	2203-001126	C-CER,CHIP;0.68nF,10%,50V,X7R,1608	1	SA	
PR7	2007-000078	R-CHIP;1Kohm,5%,1/10W,TP,1608	1	SA		RC9	2401-000804	C-AL;220uF,20%,16V,GP,TP,8x9mm,5	1	SA	
PR8	2007-000090	R-CHIP;10Kohm,5%,1/10W,TP,1608	1	SA		RD02	0407-000116	DIODE-ARRAY;KDS181,DAP202K,80V,100	1	SA	
PR9	2007-000120	R-CHIP;680ohm,5%,1/10W,TP,1608	1	SA		RIC3	1201-001842	IC-OP AMP;TL3472CD,SO,TP,8P,-,DUAL,	1	SA	
RB01	3301-001495	BEAD-SMD;120ohm,2012,2500mA,TP,115o	1	SA		RIC4	1003-001978	IC-MOTOR DRIVER;AM5766,HSOP28H,28P,	1	SA	
RB02	3301-001495	BEAD-SMD;120ohm,2012,2500mA,TP,115o	1	SA		RQ01	0504-000128	TR-DIGITAL;-NPN,200MW,22K/22K,SOT-	1	SA	
RB03	3301-001495	BEAD-SMD;120ohm,2012,2500mA,TP,115o	1	SA		RQ02	0504-000128	TR-DIGITAL;-NPN,200MW,22K/22K,SOT-	1	SA	
RB04	3301-001495	BEAD-SMD;120ohm,2012,2500mA,TP,115o	1	SA		RQ03	0504-000128	TR-DIGITAL;-NPN,200MW,22K/22K,SOT-	1	SA	
RB05	3301-001069	BEAD-SMD;120ohm,1.6x0.8x0.8mm,200mA	1	SA		RQ04	0501-000632	TR-SMALL SIGNAL;2SB1197K,PNP,200mW,	1	SA	
RB06	3301-001069	BEAD-SMD;120ohm,1.6x0.8x0.8mm,200mA	1	SA		RQ05	0501-000632	TR-SMALL SIGNAL;2SB1197K,PNP,200mW,	1	SA	
						RR01	2007-000070	R-CHIP;0ohm,5%,1/10W,TP,1608	1	SA	

Loc. No.	Part No.	Description;Specification	Q'ty	SNA	Remark	Loc. No.	Part No.	Description;Specification	Q'ty	SNA	Remark
RR02	2007-000070	R-CHIP;0ohm,5%,1/10W,TP,1608	1	SA		RR90	2007-000084	R-CHIP;4.7Kohm,5%,1/10W,TP,1608	1	SA	
RR100	2007-000078	R-CHIP;1Kohm,5%,1/10W,TP,1608	1	SA		RR91	2007-000074	R-CHIP;100ohm,5%,1/10W,TP,1608	1	SA	
RR114	2007-000113	R-CHIP;33ohm,5%,1/10W,TP,1608	1	SA		RR92	2007-000074	R-CHIP;100ohm,5%,1/10W,TP,1608	1	SA	
RR13	2007-000094	R-CHIP;22Kohm,5%,1/10W,TP,1608	1	SA		RR93	2007-000097	R-CHIP;47Kohm,5%,1/10W,TP,1608	1	SA	
RR14	2007-000070	R-CHIP;0ohm,5%,1/10W,TP,1608	1	SA		RR94	2007-000097	R-CHIP;47Kohm,5%,1/10W,TP,1608	1	SA	
RR15	2007-000087	R-CHIP;6.8Kohm,5%,1/10W,TP,1608	1	SA		RR95	2007-000097	R-CHIP;47Kohm,5%,1/10W,TP,1608	1	SA	
RR24	2007-000092	R-CHIP;15Kohm,5%,1/10W,TP,1608	1	SA		RR97	2007-000098	R-CHIP;56Kohm,5%,1/10W,TP,1608	1	SA	
RR3	2007-000029	R-CHIP;0ohm,5%,1/8W,TP,2012	1	SA		RR98	2007-000130	R-CHIP;39Kohm,5%,1/10W,TP,1608	1	SA	
RR31	2007-000077	R-CHIP;470ohm,5%,1/10W,TP,1608	1	SA		RR99	2007-000098	R-CHIP;56Kohm,5%,1/10W,TP,1608	1	SA	
RR32	2007-000308	R-CHIP;10ohm,5%,1/8W,TP,2012	1	SA		SW1	2007-000070	R-CHIP;0ohm,5%,1/10W,TP,1608	1	SA	
RR33	2007-000308	R-CHIP;10ohm,5%,1/8W,TP,2012	1	SA		UC1	2203-001607	C-CER,CHIP;0.22nF,5%,50V,NP0,1608	1	SA	
RR34	2007-000090	R-CHIP;10Kohm,5%,1/10W,TP,1608	1	SA		UC15	2203-005148	C-CER,CHIP;100nF,10%,16V,X7R,TP,160	1	SA	
RR35	2007-000078	R-CHIP;1Kohm,5%,1/10W,TP,1608	1	SA		UC16	2203-005148	C-CER,CHIP;100nF,10%,16V,X7R,TP,160	1	SA	
RR36	2007-000097	R-CHIP;47Kohm,5%,1/10W,TP,1608	1	SA		UC1A	2203-005148	C-CER,CHIP;100nF,10%,16V,X7R,TP,160	1	SA	
RR37	2007-000308	R-CHIP;10ohm,5%,1/8W,TP,2012	1	SA		UC22	2203-000972	C-CER,CHIP;47nF,10%,16V,X7R,1608	1	SA	
RR38	2007-000308	R-CHIP;10ohm,5%,1/8W,TP,2012	1	SA		UC3	2203-001607	C-CER,CHIP;0.22nF,5%,50V,NP0,1608	1	SA	
RR39	2007-000090	R-CHIP;10Kohm,5%,1/10W,TP,1608	1	SA		UC39	2203-005148	C-CER,CHIP;100nF,10%,16V,X7R,TP,160	1	SA	
RR40	2007-000078	R-CHIP;1Kohm,5%,1/10W,TP,1608	1	SA		UC55	2203-005148	C-CER,CHIP;100nF,10%,16V,X7R,TP,160	1	SA	
RR41	2007-000097	R-CHIP;47Kohm,5%,1/10W,TP,1608	1	SA		UC60	2203-000236	C-CER,CHIP;0.1nF,5%,50V,C0G,1608	1	SA	
RR42	2007-000070	R-CHIP;0ohm,5%,1/10W,TP,1608	1	SA		UC61	2203-000236	C-CER,CHIP;0.1nF,5%,50V,C0G,1608	1	SA	
RR43	2007-000098	R-CHIP;56Kohm,5%,1/10W,TP,1608	1	SA		UC62	2203-000236	C-CER,CHIP;0.1nF,5%,50V,C0G,1608	1	SA	
RR44	2007-000098	R-CHIP;56Kohm,5%,1/10W,TP,1608	1	SA		UC63	2203-000236	C-CER,CHIP;0.1nF,5%,50V,C0G,1608	1	SA	
RR45	2007-000102	R-CHIP;100Kohm,5%,1/10W,TP,1608	1	SA		UC67	2203-005249	C-CER,CHIP;100nF,10%,50V,X7R,1608	1	SA	
RR46	2007-000102	R-CHIP;100Kohm,5%,1/10W,TP,1608	1	SA		UC88	2203-005148	C-CER,CHIP;100nF,10%,16V,X7R,TP,160	1	SA	
RR47	2007-000084	R-CHIP;4.7Kohm,5%,1/10W,TP,1608	1	SA		UC9	2203-000257	C-CER,CHIP;10nF,10%,50V,X7R,TP,1608	1	SA	
RR48	2007-000124	R-CHIP;2.2Kohm,5%,1/10W,TP,1608	1	SA		UCC1	2401-001952	C-AL;4.7uF,20%,50V,GP,TP,5x7mm,5mm	1	SA	
RR49	2007-000458	R-CHIP;18Kohm,5%,1/10W,TP,1608	1	SA		UCC10	2401-000042	C-AL;100uF,20%,16V,GP,TP,6.3x7.5	1	SA	
RR50	2007-000109	R-CHIP;1Mohm,5%,1/10W,TP,1608	1	SA		UCC11	2203-005148	C-CER,CHIP;100nF,10%,16V,X7R,TP,160	1	SA	
RR51	2007-000094	R-CHIP;22Kohm,5%,1/10W,TP,1608	1	SA		UCC12	2401-000042	C-AL;100uF,20%,16V,GP,TP,6.3x7.5	1	SA	
RR52	2007-000070	R-CHIP;0ohm,5%,1/10W,TP,1608	1	SA		UCC3	2409-000123	C-EDL;47000uF,4uA,5.5V,-BK,-,5mm	1	SA	
RR53	2007-000070	R-CHIP;0ohm,5%,1/10W,TP,1608	1	SA		UCC4	2203-005148	C-CER,CHIP;100nF,10%,16V,X7R,TP,160	1	SA	
RR54	2007-000078	R-CHIP;1Kohm,5%,1/10W,TP,1608	1	SA		UCC6	2401-000759	C-AL;220nF,20%,50V,GP,TP,5x11mm,5mm	1	SA	
RR56	2007-000082	R-CHIP;3.3Kohm,5%,1/10W,TP,1608	1	SA		UCC7	2401-000042	C-AL;100uF,20%,16V,GP,TP,6.3x7.5	1	SA	
RR57	2007-000120	R-CHIP;680ohm,5%,1/10W,TP,1608	1	SA		UCC8	2203-005148	C-CER,CHIP;100nF,10%,16V,X7R,TP,160	1	SA	
RR58	2007-000090	R-CHIP;10Kohm,5%,1/10W,TP,1608	1	SA		UD1	0401-001090	DIODE-SWITCHING;1SS355,80V,100MA,SO	1	SA	
RR59	2007-000090	R-CHIP;10Kohm,5%,1/10W,TP,1608	1	SA		UD2	0401-001090	DIODE-SWITCHING;1SS355,80V,100MA,SO	1	SA	
RR60	2007-000071	R-CHIP;22ohm,5%,1/10W,TP,1608	1	SA		UD4	0401-001090	DIODE-SWITCHING;1SS355,80V,100MA,SO	1	SA	
RR61	2007-000078	R-CHIP;1Kohm,5%,1/10W,TP,1608	1	SA		UD5	0401-001090	DIODE-SWITCHING;1SS355,80V,100MA,SO	1	SA	
RR62	2007-000090	R-CHIP;10Kohm,5%,1/10W,TP,1608	1	SA		UD6	0401-001090	DIODE-SWITCHING;1SS355,80V,100MA,SO	1	SA	
RR63	2007-000071	R-CHIP;22ohm,5%,1/10W,TP,1608	1	SA		UD7	0401-001090	DIODE-SWITCHING;1SS355,80V,100MA,SO	1	SA	
RR64	2007-000078	R-CHIP;1Kohm,5%,1/10W,TP,1608	1	SA		UIC1	0903-001405	IC-MICROCONTROLLER;LC87F5CC8A,8Bit	1	SA	
RR65	2007-000078	R-CHIP;1Kohm,5%,1/10W,TP,1608	1	SA		UL1	3301-001069	BEAD-SMD;120ohm,1.6x0.8x0.8mm,200mA	1	SA	
RR66	2007-000090	R-CHIP;10Kohm,5%,1/10W,TP,1608	1	SA		UL2	3301-001069	BEAD-SMD;120ohm,1.6x0.8x0.8mm,200mA	1	SA	
RR74	2007-000090	R-CHIP;10Kohm,5%,1/10W,TP,1608	1	SA		UL3	3301-001069	BEAD-SMD;120ohm,1.6x0.8x0.8mm,200mA	1	SA	
RR75	2007-000106	R-CHIP;220Kohm,5%,1/10W,TP,1608	1	SA		UL4	3301-001069	BEAD-SMD;120ohm,1.6x0.8x0.8mm,200mA	1	SA	
RR76	2007-000070	R-CHIP;0ohm,5%,1/10W,TP,1608	1	SA		UL5	3301-001069	BEAD-SMD;120ohm,1.6x0.8x0.8mm,200mA	1	SA	
RR77	2007-000070	R-CHIP;0ohm,5%,1/10W,TP,1608	1	SA		UQ1	0501-000341	TR-SMALL SIGNAL;KSC1623-L,NPN,200mW	1	SA	
RR78	2007-000090	R-CHIP;10Kohm,5%,1/10W,TP,1608	1	SA		UR1	2007-000078	R-CHIP;1Kohm,5%,1/10W,TP,1608	1	SA	
RR79	2007-000070	R-CHIP;0ohm,5%,1/10W,TP,1608	1	SA		UR110	2007-000102	R-CHIP;100Kohm,5%,1/10W,TP,1608	1	SA	
RR80	2007-000070	R-CHIP;0ohm,5%,1/10W,TP,1608	1	SA		UR111	2007-000102	R-CHIP;100Kohm,5%,1/10W,TP,1608	1	SA	
RR82	2007-000070	R-CHIP;0ohm,5%,1/10W,TP,1608	1	SA		UR112	2007-000102	R-CHIP;100Kohm,5%,1/10W,TP,1608	1	SA	
RR83	2007-000070	R-CHIP;0ohm,5%,1/10W,TP,1608	1	SA		UR113	2007-000102	R-CHIP;100Kohm,5%,1/10W,TP,1608	1	SA	
RR84	2007-000070	R-CHIP;0ohm,5%,1/10W,TP,1608	1	SA		UR118	2007-000074	R-CHIP;100ohm,5%,1/10W,TP,1608	1	SA	
RR85	2007-000070	R-CHIP;0ohm,5%,1/10W,TP,1608	1	SA		UR12	2007-000109	R-CHIP;1Mohm,5%,1/10W,TP,1608	1	SA	
RR86	2007-000122	R-CHIP;1.2Kohm,5%,1/10W,TP,1608	1	SA		UR13	2007-000402	R-CHIP;150ohm,5%,1/10W,TP,1608	1	SA	
RR87	2007-000078	R-CHIP;1Kohm,5%,1/10W,TP,1608	1	SA		UR130	2007-000078	R-CHIP;1Kohm,5%,1/10W,TP,1608	1	SA	
RR88	2007-000122	R-CHIP;1.2Kohm,5%,1/10W,TP,1608	1	SA		UR134	2007-000097	R-CHIP;47Kohm,5%,1/10W,TP,1608	1	SA	
RR89	2007-000078	R-CHIP;1Kohm,5%,1/10W,TP,1608	1	SA		UR15	2007-000090	R-CHIP;10Kohm,5%,1/10W,TP,1608	1	SA	

Exploded View & Part List

Loc. No.	Part No.	Description;Specification	Q'ty	SNA	Remark	Loc. No.	Part No.	Description;Specification	Q'ty	SNA	Remark
UR16	2007-000074	R-CHIP;100ohm,5%,1/10W,TP,1608	1	SA		UR78	2007-000074	R-CHIP;100ohm,5%,1/10W,TP,1608	1	SA	
UR17	2007-000090	R-CHIP;10Kohm,5%,1/10W,TP,1608	1	SA		UR79	2007-000074	R-CHIP;100ohm,5%,1/10W,TP,1608	1	SA	
UR19	2007-000074	R-CHIP;100ohm,5%,1/10W,TP,1608	1	SA		UR80	2007-000074	R-CHIP;100ohm,5%,1/10W,TP,1608	1	SA	
UR2	2007-000078	R-CHIP;1Kohm,5%,1/10W,TP,1608	1	SA		UR81	2007-000074	R-CHIP;100ohm,5%,1/10W,TP,1608	1	SA	
UR20	2007-000074	R-CHIP;100ohm,5%,1/10W,TP,1608	1	SA		UR82	2007-000074	R-CHIP;100ohm,5%,1/10W,TP,1608	1	SA	
UR20A	2007-000090	R-CHIP;10Kohm,5%,1/10W,TP,1608	1	SA		UR83	2007-000074	R-CHIP;100ohm,5%,1/10W,TP,1608	1	SA	
UR20C	2007-000090	R-CHIP;10Kohm,5%,1/10W,TP,1608	1	SA		UR84	2007-000074	R-CHIP;100ohm,5%,1/10W,TP,1608	1	SA	
UR21	2007-000074	R-CHIP;100ohm,5%,1/10W,TP,1608	1	SA		UR84A	2007-000074	R-CHIP;100ohm,5%,1/10W,TP,1608	1	SA	
UR22	2007-000084	R-CHIP;4.7Kohm,5%,1/10W,TP,1608	1	SA		UR85	2007-000074	R-CHIP;100ohm,5%,1/10W,TP,1608	1	SA	
UR22A	2007-000078	R-CHIP;1Kohm,5%,1/10W,TP,1608	1	SA		UR86	2007-000074	R-CHIP;100ohm,5%,1/10W,TP,1608	1	SA	
UR23	2007-000097	R-CHIP;47Kohm,5%,1/10W,TP,1608	1	SA		UR87	2007-000074	R-CHIP;100ohm,5%,1/10W,TP,1608	1	SA	
UR27	2007-000074	R-CHIP;100ohm,5%,1/10W,TP,1608	1	SA		UR89	2007-000090	R-CHIP;10Kohm,5%,1/10W,TP,1608	1	SA	
UR28	2007-000074	R-CHIP;100ohm,5%,1/10W,TP,1608	1	SA		UR9	2007-000078	R-CHIP;1Kohm,5%,1/10W,TP,1608	1	SA	
UR29	2007-000074	R-CHIP;100ohm,5%,1/10W,TP,1608	1	SA		UR90	2007-000074	R-CHIP;100ohm,5%,1/10W,TP,1608	1	SA	
UR3	2007-000078	R-CHIP;1Kohm,5%,1/10W,TP,1608	1	SA		URR4	2007-000106	R-CHIP;220Kohm,5%,1/10W,TP,1608	1	SA	
UR30	2007-000074	R-CHIP;100ohm,5%,1/10W,TP,1608	1	SA		URR6	2007-000124	R-CHIP;2.2Kohm,5%,1/10W,TP,1608	1	SA	
UR31	2007-000074	R-CHIP;100ohm,5%,1/10W,TP,1608	1	SA		URR7	2007-000084	R-CHIP;4.7Kohm,5%,1/10W,TP,1608	1	SA	
UR32	2007-000074	R-CHIP;100ohm,5%,1/10W,TP,1608	1	SA		URR8	2007-000075	R-CHIP;220ohm,5%,1/10W,TP,1608	1	SA	
UR33	2007-000074	R-CHIP;100ohm,5%,1/10W,TP,1608	1	SA		VC1	2203-005148	C-CER,CHIP;100nF,10%,16V,X7R,TP,160	1	SA	
UR33A	2007-000090	R-CHIP;10Kohm,5%,1/10W,TP,1608	1	SA		VC10	2203-005065	C-CER,CHIP;1000nF,+80-20%,10V,Y5V,1	1	SA	
UR35	2007-000074	R-CHIP;100ohm,5%,1/10W,TP,1608	1	SA		VC11	2401-000414	C-AL;10uF,20%,16V,GP,TP,4x7,5	1	SA	
UR36	2007-000074	R-CHIP;100ohm,5%,1/10W,TP,1608	1	SA		VC12	2203-005148	C-CER,CHIP;100nF,10%,16V,X7R,TP,160	1	SA	
UR38	2007-000074	R-CHIP;100ohm,5%,1/10W,TP,1608	1	SA		VC13	2203-005148	C-CER,CHIP;100nF,10%,16V,X7R,TP,160	1	SA	
UR4	2007-000074	R-CHIP;100ohm,5%,1/10W,TP,1608	1	SA		VC14	2401-001092	C-AL;330uF,20%,10V,GP,-,8x11.5,2,5m	1	SA	
UR40	2007-000084	R-CHIP;4.7Kohm,5%,1/10W,TP,1608	1	SA		VC15	2401-001092	C-AL;330uF,20%,10V,GP,-,8x11.5,2,5m	1	SA	
UR41	2007-000074	R-CHIP;100ohm,5%,1/10W,TP,1608	1	SA		VC16	2401-001092	C-AL;330uF,20%,10V,GP,-,8x11.5,2,5m	1	SA	
UR41A	2007-000084	R-CHIP;4.7Kohm,5%,1/10W,TP,1608	1	SA		VC17	2401-000042	C-AL;100uF,20%,16V,GP,TP,6.3x7,5	1	SA	
UR42	2007-000074	R-CHIP;100ohm,5%,1/10W,TP,1608	1	SA		VC18	2401-000042	C-AL;100uF,20%,16V,GP,TP,6.3x7,5	1	SA	
UR43	2007-000074	R-CHIP;100ohm,5%,1/10W,TP,1608	1	SA		VC19	2401-000042	C-AL;100uF,20%,16V,GP,TP,6.3x7,5	1	SA	
UR44	2007-000074	R-CHIP;100ohm,5%,1/10W,TP,1608	1	SA		VC2	2401-000042	C-AL;100uF,20%,16V,GP,TP,6.3x7,5	1	SA	
UR45	2007-000074	R-CHIP;100ohm,5%,1/10W,TP,1608	1	SA		VC20	2401-000918	C-AL;22uF,20%,16V,GP,-,6.3x7,5	1	SA	
UR47	2007-000074	R-CHIP;100ohm,5%,1/10W,TP,1608	1	SA		VC21	2203-000783	C-CER,CHIP;0.33nF,5%,50V,C0G,1608	1	SA	
UR48	2007-000074	R-CHIP;100ohm,5%,1/10W,TP,1608	1	SA		VC22	2401-000042	C-AL;100uF,20%,16V,GP,TP,6.3x7,5	1	SA	
UR49	2007-000074	R-CHIP;100ohm,5%,1/10W,TP,1608	1	SA		VC24	2203-000783	C-CER,CHIP;0.33nF,5%,50V,C0G,1608	1	SA	
UR5	2007-000074	R-CHIP;100ohm,5%,1/10W,TP,1608	1	SA		VC26	2203-005148	C-CER,CHIP;100nF,10%,16V,X7R,TP,160	1	SA	
UR53	2007-000074	R-CHIP;100ohm,5%,1/10W,TP,1608	1	SA		VC28	2203-000280	C-CER,CHIP;0.01nF,0.5pF,50V,C0G,160	1	SA	
UR54	2007-000074	R-CHIP;100ohm,5%,1/10W,TP,1608	1	SA		VC3	2203-000280	C-CER,CHIP;0.01nF,0.5pF,50V,C0G,160	1	SA	
UR55	2007-000097	R-CHIP;47Kohm,5%,1/10W,TP,1608	1	SA		VC30	2203-005148	C-CER,CHIP;100nF,10%,16V,X7R,TP,160	1	SA	
UR57	2007-000074	R-CHIP;100ohm,5%,1/10W,TP,1608	1	SA		VC38	2401-001092	C-AL;330uF,20%,10V,GP,-,8x11.5,2,5m	1	SA	
UR58	2007-000074	R-CHIP;100ohm,5%,1/10W,TP,1608	1	SA		VC4	2203-000280	C-CER,CHIP;0.01nF,0.5pF,50V,C0G,160	1	SA	
UR59	2007-000074	R-CHIP;100ohm,5%,1/10W,TP,1608	1	SA		VC40	2203-005148	C-CER,CHIP;100nF,10%,16V,X7R,TP,160	1	SA	
UR60	2007-000074	R-CHIP;100ohm,5%,1/10W,TP,1608	1	SA		VC45	2203-000257	C-CER,CHIP;10nF,10%,50V,X7R,TP,1608	1	SA	
UR61	2007-000074	R-CHIP;100ohm,5%,1/10W,TP,1608	1	SA		VC46	2203-000257	C-CER,CHIP;10nF,10%,50V,X7R,TP,1608	1	SA	
UR64	2007-000074	R-CHIP;100ohm,5%,1/10W,TP,1608	1	SA		VC49	2203-000280	C-CER,CHIP;0.01nF,0.5pF,50V,C0G,160	1	SA	
UR65	2007-000074	R-CHIP;100ohm,5%,1/10W,TP,1608	1	SA		VC5	2203-000280	C-CER,CHIP;0.01nF,0.5pF,50V,C0G,160	1	SA	
UR69	2007-000074	R-CHIP;100ohm,5%,1/10W,TP,1608	1	SA		VC50	2203-000280	C-CER,CHIP;0.01nF,0.5pF,50V,C0G,160	1	SA	
UR6A	2007-000078	R-CHIP;1Kohm,5%,1/10W,TP,1608	1	SA		VC51	2203-000280	C-CER,CHIP;0.01nF,0.5pF,50V,C0G,160	1	SA	
UR70	2007-000074	R-CHIP;100ohm,5%,1/10W,TP,1608	1	SA		VC6	2203-000280	C-CER,CHIP;0.01nF,0.5pF,50V,C0G,160	1	SA	
UR70A	2007-000078	R-CHIP;1Kohm,5%,1/10W,TP,1608	1	SA		VC7	2203-005065	C-CER,CHIP;1000nF,+80-20%,10V,Y5V,1	1	SA	
UR71	2007-000074	R-CHIP;100ohm,5%,1/10W,TP,1608	1	SA		VC8	2203-005065	C-CER,CHIP;1000nF,+80-20%,10V,Y5V,1	1	SA	
UR71A	2007-000078	R-CHIP;1Kohm,5%,1/10W,TP,1608	1	SA		VC9	2203-005065	C-CER,CHIP;1000nF,+80-20%,10V,Y5V,1	1	SA	
UR72	2007-000074	R-CHIP;100ohm,5%,1/10W,TP,1608	1	SA		VIC1	1204-001978	IC-VIDEO PROCESS;LA73054,-,36P,-,SS	1	SA	
UR72A	2007-000078	R-CHIP;1Kohm,5%,1/10W,TP,1608	1	SA		VJ4	3722-002283	JACK-SCART;21P+3P,-,SN,BLK,-	1	SA	
UR73	2007-000074	R-CHIP;100ohm,5%,1/10W,TP,1608	1	SA		VJP1	2007-000029	R-CHIP;0ohm,5%,1/8W,TP,2012	1	SA	
UR73A	2007-000078	R-CHIP;1Kohm,5%,1/10W,TP,1608	1	SA		VJP2	2007-000029	R-CHIP;0ohm,5%,1/8W,TP,2012	1	SA	
UR74	2007-000074	R-CHIP;100ohm,5%,1/10W,TP,1608	1	SA		VL1	3301-001495	BEAD-SMD;120ohm,2012,2500mA,TP,115o	1	SA	
UR75	2007-000074	R-CHIP;100ohm,5%,1/10W,TP,1608	1	SA		VL2	3301-001495	BEAD-SMD;120ohm,2012,2500mA,TP,115o	1	SA	
UR76	2007-000074	R-CHIP;100ohm,5%,1/10W,TP,1608	1	SA		VL20	2703-000275	INDUCTOR-SMD;33UH,10%,2012	1	SA	
UR77	2007-000074	R-CHIP;100ohm,5%,1/10W,TP,1608	1	SA							

Loc. No.	Part No.	Description;Specification	Q'ty	SNA	Remark	Loc. No.	Part No.	Description;Specification	Q'ty	SNA	Remark
VL21	2703-000275	INDUCTOR-SMD;33UH,10%,2012	1	SA		XD2	0401-001110	DIODE-SWITCHING;-;80V,100MA,SOD-523	1	SA	
VL26	3301-001495	BEAD-SMD;120ohm,2012,2500mA,TP,115o	1	SA		XD3	0401-001110	DIODE-SWITCHING;-;80V,100MA,SOD-523	1	SA	
VL27	2703-002238	INDUCTOR-SMD;1UH,5%,2012	1	SA		XD4	0401-001110	DIODE-SWITCHING;-;80V,100MA,SOD-523	1	SA	
VL28	2703-002238	INDUCTOR-SMD;1UH,5%,2012	1	SA		XD5	0401-001110	DIODE-SWITCHING;-;80V,100MA,SOD-523	1	SA	
VL29	2703-002238	INDUCTOR-SMD;1UH,5%,2012	1	SA		XD6	0401-001110	DIODE-SWITCHING;-;80V,100MA,SOD-523	1	SA	
VL3	2703-002238	INDUCTOR-SMD;1UH,5%,2012	1	SA		XD7	0401-001110	DIODE-SWITCHING;-;80V,100MA,SOD-523	1	SA	
VL4	2703-002238	INDUCTOR-SMD;1UH,5%,2012	1	SA		XD8	0401-001110	DIODE-SWITCHING;-;80V,100MA,SOD-523	1	SA	
VL5	2703-002238	INDUCTOR-SMD;1UH,5%,2012	1	SA		XD9	0401-001110	DIODE-SWITCHING;-;80V,100MA,SOD-523	1	SA	
VL6	2703-002238	INDUCTOR-SMD;1UH,5%,2012	1	SA		X-TAL1	2802-001174	RESONATOR-CERAMIC;10MHZ,0.5%,BK,8X3	1	SA	
VL7	2703-002238	INDUCTOR-SMD;1UH,5%,2012	1	SA		ZAC1	2401-000651	C-AL;2.2uF,20%,50V,GP,TP,4x7,5	1	SA	
VL8	2007-000029	R-CHIP;0ohm,5%,1/8W,TP,2012	1	SA		ZAC10	2203-000491	C-CER,CHIP;2.2nF,10%,50V,X7R,1608	1	SA	
VQ10	0504-000152	TR-DIGITAL;KSR2101,PNP,200mW,4.7K/4	1	SA		ZAC11	2401-000414	C-AL;10uF,20%,16V,GP,TP,4x7,5	1	SA	
VQ11	0501-002184	TR-SMALL SIGNAL;KTD1304,NPN,200mW,S	1	SA		ZAC12	2203-005148	C-CER,CHIP;100nF,10%,16V,X7R,TP,160	1	SA	
VQ12	0501-002184	TR-SMALL SIGNAL;KTD1304,NPN,200mW,S	1	SA		ZAC13	2401-001508	C-AL;47uF,20%,16V,GP,TP,6.3x5,5	1	SA	
VQ13	0504-000128	TR-DIGITAL;-;NPN,200MW,22K/22K,SOT-	1	SA		ZAC14	2203-005148	C-CER,CHIP;100nF,10%,16V,X7R,TP,160	1	SA	
VQ14	0501-002184	TR-SMALL SIGNAL;KTD1304,NPN,200mW,S	1	SA		ZAC17	2401-000651	C-AL;2.2uF,20%,50V,GP,TP,4x7,5	1	SA	
VQ15	0504-000128	TR-DIGITAL;-;NPN,200MW,22K/22K,SOT-	1	SA		ZAC18	2401-001508	C-AL;47uF,20%,16V,GP,TP,6.3x5,5	1	SA	
VQ7	0501-000341	TR-SMALL SIGNAL;KSC1623-L,NPN,200mW	1	SA		ZAC19	2401-000651	C-AL;2.2uF,20%,50V,GP,TP,4x7,5	1	SA	
VR1	2007-001167	R-CHIP;75ohm,5%,1/10W,TP,1608	1	SA		ZAC2	2401-000651	C-AL;2.2uF,20%,50V,GP,TP,4x7,5	1	SA	
VR11	2007-000084	R-CHIP;4.7Kohm,5%,1/10W,TP,1608	1	SA		ZAC20	2203-000783	C-CER,CHIP;0.33nF,5%,50V,C0G,1608	1	SA	
VR112	2007-001167	R-CHIP;75ohm,5%,1/10W,TP,1608	1	SA		ZAC21	2203-005148	C-CER,CHIP;100nF,10%,16V,X7R,TP,160	1	SA	
VR115	2007-001167	R-CHIP;75ohm,5%,1/10W,TP,1608	1	SA		ZAC22	2203-000783	C-CER,CHIP;0.33nF,5%,50V,C0G,1608	1	SA	
VR117	2007-001167	R-CHIP;75ohm,5%,1/10W,TP,1608	1	SA		ZAC23	2203-002398	C-CER,CHIP;22nF,10%,50V,X7R,1608	1	SA	
VR12	2007-001167	R-CHIP;75ohm,5%,1/10W,TP,1608	1	SA		ZAC24	2401-000651	C-AL;2.2uF,20%,50V,GP,TP,4x7,5	1	SA	
VR13	2007-001167	R-CHIP;75ohm,5%,1/10W,TP,1608	1	SA		ZAC25	2401-000651	C-AL;2.2uF,20%,50V,GP,TP,4x7,5	1	SA	
VR14	2007-001167	R-CHIP;75ohm,5%,1/10W,TP,1608	1	SA		ZAC26	2203-005148	C-CER,CHIP;100nF,10%,16V,X7R,TP,160	1	SA	
VR15	2007-001167	R-CHIP;75ohm,5%,1/10W,TP,1608	1	SA		ZAC27	2203-005148	C-CER,CHIP;100nF,10%,16V,X7R,TP,160	1	SA	
VR16	2007-001167	R-CHIP;75ohm,5%,1/10W,TP,1608	1	SA		ZAC28	2203-005148	C-CER,CHIP;100nF,10%,16V,X7R,TP,160	1	SA	
VR17	2007-001167	R-CHIP;75ohm,5%,1/10W,TP,1608	1	SA		ZAC3	2401-000651	C-AL;2.2uF,20%,50V,GP,TP,4x7,5	1	SA	
VR18	2007-001167	R-CHIP;75ohm,5%,1/10W,TP,1608	1	SA		ZAC4	2401-000651	C-AL;2.2uF,20%,50V,GP,TP,4x7,5	1	SA	
VR2	2007-001167	R-CHIP;75ohm,5%,1/10W,TP,1608	1	SA		ZAC5	2203-005148	C-CER,CHIP;100nF,10%,16V,X7R,TP,160	1	SA	
VR21	2007-000070	R-CHIP;0ohm,5%,1/10W,TP,1608	1	SA		ZAC6	2203-005148	C-CER,CHIP;100nF,10%,16V,X7R,TP,160	1	SA	
VR3	2007-001167	R-CHIP;75ohm,5%,1/10W,TP,1608	1	SA		ZAC7	2401-000042	C-AL;100uF,20%,16V,GP,TP,6.3x7,5	1	SA	
VR30	2007-000078	R-CHIP;1Kohm,5%,1/10W,TP,1608	1	SA		ZAC8	2401-000042	C-AL;100uF,20%,16V,GP,TP,6.3x7,5	1	SA	
VR31	2007-000078	R-CHIP;1Kohm,5%,1/10W,TP,1608	1	SA		ZAC9	2203-000491	C-CER,CHIP;2.2nF,10%,50V,X7R,1608	1	SA	
VR32	2007-000078	R-CHIP;1Kohm,5%,1/10W,TP,1608	1	SA		ZAL1	3301-001495	BEAD-SMD;120ohm,2012,2500mA,TP,115o	1	SA	
VR38	2007-000082	R-CHIP;3.3Kohm,5%,1/10W,TP,1608	1	SA		ZAL2	3301-001495	BEAD-SMD;120ohm,2012,2500mA,TP,115o	1	SA	
VR39	2007-000119	R-CHIP;560ohm,5%,1/10W,TP,1608	1	SA		ZAL3	3301-001495	BEAD-SMD;120ohm,2012,2500mA,TP,115o	1	SA	
VR4	2007-001167	R-CHIP;75ohm,5%,1/10W,TP,1608	1	SA		ZAL4	3301-001495	BEAD-SMD;120ohm,2012,2500mA,TP,115o	1	SA	
VR42	2007-000102	R-CHIP;100Kohm,5%,1/10W,TP,1608	1	SA		ZAL6	3301-001495	BEAD-SMD;120ohm,2012,2500mA,TP,115o	1	SA	
VR44	2007-000084	R-CHIP;4.7Kohm,5%,1/10W,TP,1608	1	SA		ZAL7	3301-001495	BEAD-SMD;120ohm,2012,2500mA,TP,115o	1	SA	
VR48	2007-000090	R-CHIP;10Kohm,5%,1/10W,TP,1608	1	SA		ZAL8	3301-001495	BEAD-SMD;120ohm,2012,2500mA,TP,115o	1	SA	
VR5	2007-001167	R-CHIP;75ohm,5%,1/10W,TP,1608	1	SA		ZAR1	2007-000094	R-CHIP;22Kohm,5%,1/10W,TP,1608	1	SA	
VR59	2007-000090	R-CHIP;10Kohm,5%,1/10W,TP,1608	1	SA		ZAR10	2007-000102	R-CHIP;100Kohm,5%,1/10W,TP,1608	1	SA	
VR6	2007-001167	R-CHIP;75ohm,5%,1/10W,TP,1608	1	SA		ZAR11	2007-000094	R-CHIP;22Kohm,5%,1/10W,TP,1608	1	SA	
VR60	2007-000090	R-CHIP;10Kohm,5%,1/10W,TP,1608	1	SA		ZAR12	2007-000094	R-CHIP;22Kohm,5%,1/10W,TP,1608	1	SA	
VR61	2007-000075	R-CHIP;220ohm,5%,1/10W,TP,1608	1	SA		ZAR19	2007-000074	R-CHIP;100ohm,5%,1/10W,TP,1608	1	SA	
VR62	2007-000309	R-CHIP;10ohm,5%,1/10W,TP,1608	1	SA		ZAR2	2007-000102	R-CHIP;100Kohm,5%,1/10W,TP,1608	1	SA	
VR66	2007-001167	R-CHIP;75ohm,5%,1/10W,TP,1608	1	SA		ZAR24	2007-000074	R-CHIP;100ohm,5%,1/10W,TP,1608	1	SA	
VR7	2007-001167	R-CHIP;75ohm,5%,1/10W,TP,1608	1	SA		ZAR25	2007-000074	R-CHIP;100ohm,5%,1/10W,TP,1608	1	SA	
VR8	2007-001167	R-CHIP;75ohm,5%,1/10W,TP,1608	1	SA		ZAR28	2007-000074	R-CHIP;100ohm,5%,1/10W,TP,1608	1	SA	
VR9	2007-000125	R-CHIP;3.9Kohm,5%,1/10W,TP,1608	1	SA		ZAR3	2007-000102	R-CHIP;100Kohm,5%,1/10W,TP,1608	1	SA	
VRC20	2203-005819	C-CER,CHIP;1000nF,+80-20%,16V,Y5V,-	1	SA		ZAR30	2007-000074	R-CHIP;100ohm,5%,1/10W,TP,1608	1	SA	
VRC22	2203-005819	C-CER,CHIP;1000nF,+80-20%,16V,Y5V,-	1	SA		ZAR31	2007-000074	R-CHIP;100ohm,5%,1/10W,TP,1608	1	SA	
XD1	0401-001110	DIODE-SWITCHING;-;80V,100MA,SOD-523	1	SA		ZAR32	2007-000074	R-CHIP;100ohm,5%,1/10W,TP,1608	1	SA	
XD10	0401-001110	DIODE-SWITCHING;-;80V,100MA,SOD-523	1	SA		ZAR37	2007-000074	R-CHIP;100ohm,5%,1/10W,TP,1608	1	SA	
XD11	0401-001110	DIODE-SWITCHING;-;80V,100MA,SOD-523	1	SA		ZAR38	2007-000074	R-CHIP;100ohm,5%,1/10W,TP,1608	1	SA	
XD12	0401-001110	DIODE-SWITCHING;-;80V,100MA,SOD-523	1	SA		ZAR39	2007-000074	R-CHIP;100ohm,5%,1/10W,TP,1608	1	SA	
						ZAR4	2007-000094	R-CHIP;22Kohm,5%,1/10W,TP,1608	1	SA	

Exploded View & Part List

Loc. No.	Part No.	Description;Specification	Q'ty	SNA	Remark	Loc. No.	Part No.	Description;Specification	Q'ty	SNA	Remark
ZAR5	2007-000094	R-CHIP;22Kohm,5%,1/10W,TP,1608	1	SA		C19FL	2203-002793	C-CER,CHIP;1000nF,+80-20%,25V,Y5V,2	1	SA	
ZAR6	2007-000094	R-CHIP;22Kohm,5%,1/10W,TP,1608	1	SA		C19RL	2203-002793	C-CER,CHIP;1000nF,+80-20%,25V,Y5V,2	1	SA	
ZAR7	2007-000102	R-CHIP;100Kohm,5%,1/10W,TP,1608	1	SA		C19RR	2203-005249	C-CER,CHIP;100nF,10%,50V,X7R,1608	1	SA	
ZCR1	2007-000084	R-CHIP;4.7Kohm,5%,1/10W,TP,1608	1	SA		C19SW	2203-002793	C-CER,CHIP;1000nF,+80-20%,25V,Y5V,2	1	SA	
ZCV1	2203-000783	C-CER,CHIP;0.33nF,5%,50V,C0G,1608	1	SA		C1FR	2203-000236	C-CER,CHIP;0.1nF,5%,50V,C0G,1608	1	SA	
ZCV2	2203-000783	C-CER,CHIP;0.33nF,5%,50V,C0G,1608	1	SA		C1RL	2203-000236	C-CER,CHIP;0.1nF,5%,50V,C0G,1608	1	SA	
ZR5	2007-000102	R-CHIP;100Kohm,5%,1/10W,TP,1608	1	SA		C1SW	2203-000236	C-CER,CHIP;0.1nF,5%,50V,C0G,1608	1	SA	
ZR8	2007-000102	R-CHIP;100Kohm,5%,1/10W,TP,1608	1	SA		C2	2401-000303	C-AL;100uF,20%,25V,WT,TP,6.3x11mm,5	1	SA	
	AH99-10012P	ASSY PCB-MAIN ASSY;m;HT-Z210,ASSY P	1	SNA		C20C	2203-005249	C-CER,CHIP;100nF,10%,50V,X7R,1608	1	SA	
	AH92-02793A ASSY PCB-AMP ASSY;HT-Z210,ASSY PCB-		1	SA		C20FL	2203-005249	C-CER,CHIP;100nF,10%,50V,X7R,1608	1	SA	
AMP_PCBBAH41-01101A	PCB-AMP PCB;HT-Z310,EPOXY,2.0,1.6T,		0.5	SNA		C20RR	2203-005249	C-CER,CHIP;100nF,10%,50V,X7R,1608	1	SA	
C1	2203-005249	C-CER,CHIP;100nF,10%,50V,X7R,1608	1	SA		C21FR	2203-000787	C-CER,CHIP;0.33NF,5%,50V,C0G,TP,201	1	SA	
C10C	2305-000407	C-FILM,LEAD-PEF;470nF,5%,100V,TP,10	1	SA		C22FR	2203-000787	C-CER,CHIP;0.33NF,5%,50V,C0G,TP,201	1	SA	
C10FL	2305-000407	C-FILM,LEAD-PEF;470nF,5%,100V,TP,10	1	SA		C23	2203-005249	C-CER,CHIP;100nF,10%,50V,X7R,1608	1	SA	
C10RL	2305-000407	C-FILM,LEAD-PEF;470nF,5%,100V,TP,10	1	SA		C23RR	2203-000787	C-CER,CHIP;0.33NF,5%,50V,C0G,TP,201	1	SA	
C10RR	2203-001634	C-CER,CHIP;33nF,10%,50V,X7R,1608	1	SA		C23SW	2203-002793	C-CER,CHIP;1000nF,+80-20%,25V,Y5V,2	1	SA	
C10SW	2305-000407	C-FILM,LEAD-PEF;470nF,5%,100V,TP,10	1	SA		C24	2203-005249	C-CER,CHIP;100nF,10%,50V,X7R,1608	1	SA	
C11C	2203-005249	C-CER,CHIP;100nF,10%,50V,X7R,1608	1	SA		C24C	2401-002300	C-AL;47##F,20%,50V,GP,TP,6.3x11,5mm	1	SA	
C11FL	2203-005249	C-CER,CHIP;100nF,10%,50V,X7R,1608	1	SA		C24FL	2401-002300	C-AL;47##F,20%,50V,GP,TP,6.3x11,5mm	1	SA	
C11FR	2203-005249	C-CER,CHIP;100nF,10%,50V,X7R,1608	1	SA		C24RR	2203-000787	C-CER,CHIP;0.33NF,5%,50V,C0G,TP,201	1	SA	
C11RL	2203-005249	C-CER,CHIP;100nF,10%,50V,X7R,1608	1	SA		C25	2203-005249	C-CER,CHIP;100nF,10%,50V,X7R,1608	1	SA	
C11SW	2203-005249	C-CER,CHIP;100nF,10%,50V,X7R,1608	1	SA		C25FR	2203-000257	C-CER,CHIP;10nF,10%,50V,X7R,TP,1608	1	SA	
C12C	2203-000257	C-CER,CHIP;10nF,10%,50V,X7R,TP,1608	1	SA		C26	2203-005249	C-CER,CHIP;100nF,10%,50V,X7R,1608	1	SA	
C12FL	2203-000257	C-CER,CHIP;10nF,10%,50V,X7R,TP,1608	1	SA		C26FR	2203-005249	C-CER,CHIP;100nF,10%,50V,X7R,1608	1	SA	
C12FR	2203-000257	C-CER,CHIP;10nF,10%,50V,X7R,TP,1608	1	SA		C27RR	2203-000257	C-CER,CHIP;10nF,10%,50V,X7R,TP,1608	1	SA	
C12RL	2203-000257	C-CER,CHIP;10nF,10%,50V,X7R,TP,1608	1	SA		C28RR	2203-005249	C-CER,CHIP;100nF,10%,50V,X7R,1608	1	SA	
C12RR	2203-001634	C-CER,CHIP;33nF,10%,50V,X7R,1608	1	SA		C29FR	2401-004106	C-AL;680uF,20%,50V,-BK,12.5 x 35,5	1	SA	
C12SW	2203-000257	C-CER,CHIP;10nF,10%,50V,X7R,TP,1608	1	SA		C2C	2203-002793	C-CER,CHIP;1000nF,+80-20%,25V,Y5V,2	1	SA	
C13C	2203-000787	C-CER,CHIP;0.33NF,5%,50V,C0G,TP,201	1	SA		C2FL	2203-002793	C-CER,CHIP;1000nF,+80-20%,25V,Y5V,2	1	SA	
C13FL	2203-000787	C-CER,CHIP;0.33NF,5%,50V,C0G,TP,201	1	SA		C2FR	2203-002793	C-CER,CHIP;1000nF,+80-20%,25V,Y5V,2	1	SA	
C13RL	2203-000787	C-CER,CHIP;0.33NF,5%,50V,C0G,TP,201	1	SA		C2RL	2203-002793	C-CER,CHIP;1000nF,+80-20%,25V,Y5V,2	1	SA	
C13RR	2203-000787	C-CER,CHIP;0.33NF,5%,50V,C0G,TP,201	1	SA		C2SW	2203-002793	C-CER,CHIP;1000nF,+80-20%,25V,Y5V,2	1	SA	
C13SW	2203-000787	C-CER,CHIP;0.33NF,5%,50V,C0G,TP,201	1	SA		C3	2203-005249	C-CER,CHIP;100nF,10%,50V,X7R,1608	1	SA	
C14C	2203-000787	C-CER,CHIP;0.33NF,5%,50V,C0G,TP,201	1	SA		C30RR	2401-004106	C-AL;680uF,20%,50V,-BK,12.5 x 35,5	1	SA	
C14FL	2203-000787	C-CER,CHIP;0.33NF,5%,50V,C0G,TP,201	1	SA		C31FR	2203-001634	C-CER,CHIP;33nF,10%,50V,X7R,1608	1	SA	
C14RL	2203-000787	C-CER,CHIP;0.33NF,5%,50V,C0G,TP,201	1	SA		C31RR	2203-005249	C-CER,CHIP;100nF,10%,50V,X7R,1608	1	SA	
C14SW	2203-000787	C-CER,CHIP;0.33NF,5%,50V,C0G,TP,201	1	SA		C32RR	2203-005249	C-CER,CHIP;100nF,10%,50V,X7R,1608	1	SA	
C15C	2203-005249	C-CER,CHIP;100nF,10%,50V,X7R,1608	1	SA		C33RR	2203-000257	C-CER,CHIP;10nF,10%,50V,X7R,TP,1608	1	SA	
C15FL	2203-005249	C-CER,CHIP;100nF,10%,50V,X7R,1608	1	SA		C34RR	2203-000257	C-CER,CHIP;10nF,10%,50V,X7R,TP,1608	1	SA	
C15FR	2203-005249	C-CER,CHIP;100nF,10%,50V,X7R,1608	1	SA		C35FR	2305-000407	C-FILM,LEAD-PEF;470nF,5%,100V,TP,10	1	SA	
C15RL	2203-005249	C-CER,CHIP;100nF,10%,50V,X7R,1608	1	SA		C37RR	2305-000407	C-FILM,LEAD-PEF;470nF,5%,100V,TP,10	1	SA	
C15SW	2203-005249	C-CER,CHIP;100nF,10%,50V,X7R,1608	1	SA		C3C	2203-005249	C-CER,CHIP;100nF,10%,50V,X7R,1608	1	SA	
C16C	2203-000257	C-CER,CHIP;10nF,10%,50V,X7R,TP,1608	1	SA		C3FL	2203-005249	C-CER,CHIP;100nF,10%,50V,X7R,1608	1	SA	
C16FL	2203-000257	C-CER,CHIP;10nF,10%,50V,X7R,TP,1608	1	SA		C4	2401-000303	C-AL;100uF,20%,25V,WT,TP,6.3x11mm,5	1	SA	
C16FR	2203-000257	C-CER,CHIP;10nF,10%,50V,X7R,TP,1608	1	SA		C40FR	2203-005249	C-CER,CHIP;100nF,10%,50V,X7R,1608	1	SA	
C16RL	2203-000257	C-CER,CHIP;10nF,10%,50V,X7R,TP,1608	1	SA		C41FR	2203-005249	C-CER,CHIP;100nF,10%,50V,X7R,1608	1	SA	
C16SW	2203-000257	C-CER,CHIP;10nF,10%,50V,X7R,TP,1608	1	SA		C42FR	2203-005249	C-CER,CHIP;100nF,10%,50V,X7R,1608	1	SA	
C17C	2203-005249	C-CER,CHIP;100nF,10%,50V,X7R,1608	1	SA		C43FR	2203-005249	C-CER,CHIP;100nF,10%,50V,X7R,1608	1	SA	
C17FL	2203-005249	C-CER,CHIP;100nF,10%,50V,X7R,1608	1	SA		C44FR	2203-005249	C-CER,CHIP;100nF,10%,50V,X7R,1608	1	SA	
C17FR	2203-005249	C-CER,CHIP;100nF,10%,50V,X7R,1608	1	SA		C45FR	2203-005249	C-CER,CHIP;100nF,10%,50V,X7R,1608	1	SA	
C17RL	2203-005249	C-CER,CHIP;100nF,10%,50V,X7R,1608	1	SA		C4FR	2203-005249	C-CER,CHIP;100nF,10%,50V,X7R,1608	1	SA	
C17SW	2203-005249	C-CER,CHIP;100nF,10%,50V,X7R,1608	1	SA		C4RL	2203-005249	C-CER,CHIP;100nF,10%,50V,X7R,1608	1	SA	
C18C	2203-001634	C-CER,CHIP;33nF,10%,50V,X7R,1608	1	SA		C4SW	2203-005249	C-CER,CHIP;100nF,10%,50V,X7R,1608	1	SA	
C18FL	2203-001634	C-CER,CHIP;33nF,10%,50V,X7R,1608	1	SA		C5C	2203-001634	C-CER,CHIP;33nF,10%,50V,X7R,1608	1	SA	
C18FR	2203-005249	C-CER,CHIP;100nF,10%,50V,X7R,1608	1	SA		C5FL	2203-001634	C-CER,CHIP;33nF,10%,50V,X7R,1608	1	SA	
C18RL	2203-001634	C-CER,CHIP;33nF,10%,50V,X7R,1608	1	SA		C5RL	2203-001634	C-CER,CHIP;33nF,10%,50V,X7R,1608	1	SA	
C18SW	2203-001634	C-CER,CHIP;33nF,10%,50V,X7R,1608	1	SA		C5RR	2203-005249	C-CER,CHIP;100nF,10%,50V,X7R,1608	1	SA	
C19C	2203-002793	C-CER,CHIP;1000nF,+80-20%,25V,Y5V,2	1	SA		C5SW	2203-001634	C-CER,CHIP;33nF,10%,50V,X7R,1608	1	SA	

Loc. No.	Part No.	Description;Specification	Q'ty	SNA	Remark	Loc. No.	Part No.	Description;Specification	Q'ty	SNA	Remark
C6RL	2203-005249	C-CER,CHIP;100nF,10%,50V,X7R,1608	1	SA							
C6RR	2203-002793	C-CER,CHIP;1000nF,+80-20%,25V,Y5V,2	1	SA		FR3	2001-001165	R-CARBON(S);56OHM,5%,1/2W,AA,TP,2.4	1	SA	
C6SW	2203-005249	C-CER,CHIP;100nF,10%,50V,X7R,1608	1	SA		FR4	2007-000097	R-CHIP;47Kohm,5%,1/10W,TP,1608	1	SA	
C7C	2203-005249	C-CER,CHIP;100nF,10%,50V,X7R,1608	1	SA		FR5	2007-000084	R-CHIP;4.7Kohm,5%,1/10W,TP,1608	1	SA	
						FR6	2007-000090	R-CHIP;10Kohm,5%,1/10W,TP,1608	1	SA	
C7FL	2203-005249	C-CER,CHIP;100nF,10%,50V,X7R,1608	1	SA		FR7	2007-000134	R-CHIP;33Kohm,5%,1/10W,TP,1608	1	SA	
C7RL	2203-005249	C-CER,CHIP;100nF,10%,50V,X7R,1608	1	SA							
C7RR	2401-002300	C-AL;47##F,20%,50V,GP,TP,6.3x11,5mm	1	SA		FR8	2007-000097	R-CHIP;47Kohm,5%,1/10W,TP,1608	1	SA	
C7SW	2203-005249	C-CER,CHIP;100nF,10%,50V,X7R,1608	1	SA		FR9	2007-000097	R-CHIP;47Kohm,5%,1/10W,TP,1608	1	SA	
C8C	2401-004106	C-AL;680uF,20%,50V,-,BK,12.5 x 35,5	1	SA		H/S HOLDER AH61-02526A	HOLDER-IC;HT-Z210,ABS,TO.9,W150,-,-	1	SA		
						H/S AMP AH62-00183A	HEAT SINK-AMP;HT-Z210,AL SKIVE,T5,W	1	SA		
C8RL	2401-004106	C-AL;680uF,20%,50V,-,BK,12.5 x 35,5	1	SA		IC1CW	1201-002679	IC-AUDIO AMP;TAS5342DDV,HTSSOP,44P,	1	SA	
C8RR	2203-002793	C-CER,CHIP;1000nF,+80-20%,25V,Y5V,2	1	SA							
C8SW	2401-004106	C-AL;680uF,20%,50V,-,BK,12.5 x 35,5	1	SA		IC1L	1201-002679	IC-AUDIO AMP;TAS5342DDV,HTSSOP,44P,	1	SA	
C8YL	2401-004106	C-AL;680uF,20%,50V,-,BK,12.5 x 35,5	1	SA		IC1R	1201-002679	IC-AUDIO AMP;TAS5342DDV,HTSSOP,44P,	1	SA	
C9FR	2203-001634	C-CER,CHIP;33nF,10%,50V,X7R,1608	1	SA		J3	AH39-00946A	HARNESS CONNECT;HT-X250,9P-9B F/L/W	1	SA	
						J7	3708-001086	CONNECTOR-FPC/FPC/PIC;28P,1.25MM,ST	1	SA	
EL2	3301-001069	BEAD-SMD;120ohm,1.6x0.8x0.8mm,200mA	1	SA		L1C	2702-001130	INDUCTOR-RADIAL;10uH,10%,19x15.8mm	1	SA	
EL3	3301-001069	BEAD-SMD;120ohm,1.6x0.8x0.8mm,200mA	1	SA							
EL4	3301-001069	BEAD-SMD;120ohm,1.6x0.8x0.8mm,200mA	1	SA		L1FL	2702-001130	INDUCTOR-RADIAL;10uH,10%,19x15.8mm	1	SA	
EMC10	2203-005249	C-CER,CHIP;100nF,10%,50V,X7R,1608	1	SA		L1FR	2702-001130	INDUCTOR-RADIAL;10uH,10%,19x15.8mm	1	SA	
EMC11	2203-005249	C-CER,CHIP;100nF,10%,50V,X7R,1608	1	SA		L1RL	2702-001130	INDUCTOR-RADIAL;10uH,10%,19x15.8mm	1	SA	
						L1SW	2702-001130	INDUCTOR-RADIAL;10uH,10%,19x15.8mm	1	SA	
EMC12	2203-005249	C-CER,CHIP;100nF,10%,50V,X7R,1608	1	SA		L2C	2702-001130	INDUCTOR-RADIAL;10uH,10%,19x15.8mm	1	SA	
EMC13	2203-005249	C-CER,CHIP;100nF,10%,50V,X7R,1608	1	SA							
EMC14	2203-005249	C-CER,CHIP;100nF,10%,50V,X7R,1608	1	SA		L2FL	2702-001130	INDUCTOR-RADIAL;10uH,10%,19x15.8mm	1	SA	
EMC17	2203-000257	C-CER,CHIP;10nF,10%,50V,X7R,TP,1608	1	SA		L2FR	2702-001130	INDUCTOR-RADIAL;10uH,10%,19x15.8mm	1	SA	
EMC19	2203-000257	C-CER,CHIP;10nF,10%,50V,X7R,TP,1608	1	SA		L2RL	2702-001130	INDUCTOR-RADIAL;10uH,10%,19x15.8mm	1	SA	
						L2SW	2702-001130	INDUCTOR-RADIAL;10uH,10%,19x15.8mm	1	SA	
EMC20	2203-000257	C-CER,CHIP;10nF,10%,50V,X7R,TP,1608	1	SA		L3RR	2702-001130	INDUCTOR-RADIAL;10uH,10%,19x15.8mm	1	SA	
EMC21	2203-005249	C-CER,CHIP;100nF,10%,50V,X7R,1608	1	SA							
EMC22	2203-005249	C-CER,CHIP;100nF,10%,50V,X7R,1608	1	SA		L4RR	2702-001130	INDUCTOR-RADIAL;10uH,10%,19x15.8mm	1	SA	
EMC5	2203-005249	C-CER,CHIP;100nF,10%,50V,X7R,1608	1	SA		MC1	2401-000243	C-AL;100uF,20%,10V,GP,TP,6.3x5,5	1	SA	
EMC6	2203-005249	C-CER,CHIP;100nF,10%,50V,X7R,1608	1	SA		MC10	2203-005249	C-CER,CHIP;100nF,10%,50V,X7R,1608	1	SA	
						MC11	2203-005249	C-CER,CHIP;100nF,10%,50V,X7R,1608	1	SA	
EMC7	2203-005249	C-CER,CHIP;100nF,10%,50V,X7R,1608	1	SA		MC12	2203-005249	C-CER,CHIP;100nF,10%,50V,X7R,1608	1	SA	
EMC8	2203-005249	C-CER,CHIP;100nF,10%,50V,X7R,1608	1	SA							
EMC9	2203-005249	C-CER,CHIP;100nF,10%,50V,X7R,1608	1	SA		MC13	2203-005249	C-CER,CHIP;100nF,10%,50V,X7R,1608	1	SA	
EMCC	2203-000257	C-CER,CHIP;10nF,10%,50V,X7R,TP,1608	1	SA		MC14	2203-005249	C-CER,CHIP;100nF,10%,50V,X7R,1608	1	SA	
EMR3	2007-000694	R-CHIP;3.3ohm,5%,1/8W,TP,2012	1	SA		MC15	2203-005249	C-CER,CHIP;100nF,10%,50V,X7R,1608	1	SA	
						MC16	2401-001355	C-AL;470uF,20%,10V,GP,TP,8x11.5mm,5	1	SA	
EMR4	2007-000694	R-CHIP;3.3ohm,5%,1/8W,TP,2012	1	SA		MC17	2401-001355	C-AL;470uF,20%,10V,GP,TP,8x11.5mm,5	1	SA	
EMR5	2007-000694	R-CHIP;3.3ohm,5%,1/8W,TP,2012	1	SA							
EMR6	2007-000694	R-CHIP;3.3ohm,5%,1/8W,TP,2012	1	SA		MC18	2203-005249	C-CER,CHIP;100nF,10%,50V,X7R,1608	1	SA	
FB1	3301-001069	BEAD-SMD;120ohm,1.6x0.8x0.8mm,200mA	1	SA		MC19	2203-005249	C-CER,CHIP;100nF,10%,50V,X7R,1608	1	SA	
FB2	3301-001069	BEAD-SMD;120ohm,1.6x0.8x0.8mm,200mA	1	SA		MC2	2203-005249	C-CER,CHIP;100nF,10%,50V,X7R,1608	1	SA	
						MC20	2203-005249	C-CER,CHIP;100nF,10%,50V,X7R,1608	1	SA	
FB3	3301-001069	BEAD-SMD;120ohm,1.6x0.8x0.8mm,200mA	1	SA		MC21	2203-005249	C-CER,CHIP;100nF,10%,50V,X7R,1608	1	SA	
FC2	2401-001975	C-AL;47uF,20%,16V,GP,TP,5x11mm,5mm	1	SA							
FC3	2401-001975	C-AL;47uF,20%,16V,GP,TP,5x11mm,5mm	1	SA		MC22	2203-005249	C-CER,CHIP;100nF,10%,50V,X7R,1608	1	SA	
FC4	2401-001975	C-AL;47uF,20%,16V,GP,TP,5x11mm,5mm	1	SA		MC23	2203-005249	C-CER,CHIP;100nF,10%,50V,X7R,1608	1	SA	
FC5	2401-000651	C-AL;2.2uF,20%,50V,GP,TP,4x7,5	1	SA		MC24	2203-005249	C-CER,CHIP;100nF,10%,50V,X7R,1608	1	SA	
						MC25	2203-005249	C-CER,CHIP;100nF,10%,50V,X7R,1608	1	SA	
FC6	2401-000651	C-AL;2.2uF,20%,50V,GP,TP,4x7,5	1	SA		MC26	2203-005249	C-CER,CHIP;100nF,10%,50V,X7R,1608	1	SA	
FD1	0401-001090	DIODE-SWITCHING;1SS355,80V,100MA,SO	1	SA							
FD2	0401-001090	DIODE-SWITCHING;1SS355,80V,100MA,SO	1	SA		MC27	2203-005249	C-CER,CHIP;100nF,10%,50V,X7R,1608	1	SA	
FJ1	3711-000820	HEADER-BOARD TO CABLE;BOX,2P,1R,2,5	1	SNA		MC28	2401-001355	C-AL;470uF,20%,10V,GP,TP,8x11.5mm,5	1	SA	
FQ1	0501-000422	TR-SMALL SIGNAL;KTA1273,PNP,-30V,-3	1	SA		MC29	2203-005249	C-CER,CHIP;100nF,10%,50V,X7R,1608	1	SA	
						MC3	2203-005249	C-CER,CHIP;100nF,10%,50V,X7R,1608	1	SA	
FQ2	0501-000341	TR-SMALL SIGNAL;KSC1623-L,NPN,200mW	1	SA		MC30	2203-005249	C-CER,CHIP;100nF,10%,50V,X7R,1608	1	SA	
FQ3	0501-000422	TR-SMALL SIGNAL;KTA1273,PNP,-30V,-3	1	SA							
FQ4	0504-000128	TR-DIGITAL-;NPN,200MW,22K/22K,SOT-	1	SA		MC31	2401-000414	C-AL;10uF,20%,16V,GP,TP,4x7,5	1	SA	
FR1	2001-000022	R-CARBON(S);33OHM,5%,1/2W,AA,TP,2.4	1	SA		MC32	2401-001355	C-AL;470uF,20%,10V,GP,TP,8x11.5mm,5	1	SA	
FR10	2007-000097	R-CHIP;47Kohm,5%,1/10W,TP,1608	1	SA		MC33	2401-002042	C-AL;220uF,20%,10V,GP,TP,6.3x11,5	1	SA	
						MC34	2203-000626	C-CER,CHIP;0.022nF,5%,50V,COG,1608	1	SA	
FR11	2007-000097	R-CHIP;47Kohm,5%,1/10W,TP,1608	1	SA		MC35	2203-000626	C-CER,CHIP;0.022nF,5%,50V,COG,1608	1	SA	
FR12	2001-000020	R-CARBON(S);22OHM,5%,1/2W,AA,TP,2.4	1	SA							
FR13	2007-000090	R-CHIP;10Kohm,5%,1/10W,TP,1608	1	SA		MC4	2401-000414	C-AL;10uF,20%,16V,GP,TP,4x7,5	1	SA	
FR14	2007-000082	R-CHIP;3.3Kohm,5%,1/10W,TP,1608	1	SA		MC5	2203-000189	C-CER,CHIP;100nF,+80-20%,25V,Y5V,16	1	SA	
FR2	2007-000097	R-CHIP;47Kohm,5%,1/10W,TP,1608	1	SA		MC6	2401-000407	C-AL;10uF,20%,16V,GP,TP,3.5x5,2.5	1	SA	

Exploded View & Part List

Loc. No.	Part No.	Description;Specification	Q'ty	SNA	Remark	Loc. No.	Part No.	Description;Specification	Q'ty	SNA	Remark
MC7	2203-005249	C-CER,CHIP;100nF,10%,50V,X7R,1608	1	SA		NR12	2007-000097	R-CHIP;47Kohm,5%,1/10W,TP,1608	1	SA	
MC8	2203-005249	C-CER,CHIP;100nF,10%,50V,X7R,1608	1	SA		NR13	2007-000084	R-CHIP;4.7Kohm,5%,1/10W,TP,1608	1	SA	
MC9	2203-005249	C-CER,CHIP;100nF,10%,50V,X7R,1608	1	SA		NR14	2007-000074	R-CHIP;100ohm,5%,1/10W,TP,1608	1	SA	
MD4	0401-001090	DIODE-SWITCHING;1SS355,80V,100MA,SO	1	SA		NR15	2007-000103	R-CHIP;120Kohm,5%,1/10W,TP,1608	1	SA	
MIC1	1204-002627	IC-MODULATOR;PS9829B,LQFP,100P,14x1	1	SA		NR16	2007-000097	R-CHIP;47Kohm,5%,1/10W,TP,1608	1	SA	
MIC2	AH14-10004R	IC-CMOS LOGIC;74HCU04,-,SOP,14P,-,-	1	SA		NR17	2007-000084	R-CHIP;4.7Kohm,5%,1/10W,TP,1608	1	SA	
MR1	2007-000070	R-CHIP;0ohm,5%,1/10W,TP,1608	1	SA		NR18	2007-000097	R-CHIP;47Kohm,5%,1/10W,TP,1608	1	SA	
MR10	2007-000052	R-CHIP;10Kohm,1%,1/10W,TP,1608	1	SA		NR19	2007-000070	R-CHIP;0ohm,5%,1/10W,TP,1608	1	SA	
MR11	2007-000052	R-CHIP;10Kohm,1%,1/10W,TP,1608	1	SA		NR2	2007-000309	R-CHIP;10ohm,5%,1/10W,TP,1608	1	SA	
MR12	2007-000052	R-CHIP;10Kohm,1%,1/10W,TP,1608	1	SA		R101	2007-000070	R-CHIP;0ohm,5%,1/10W,TP,1608	1	SA	
MR13	2007-000072	R-CHIP;47ohm,5%,1/10W,TP,1608	1	SA		R102	2007-000070	R-CHIP;0ohm,5%,1/10W,TP,1608	1	SA	
MR14	2007-000072	R-CHIP;47ohm,5%,1/10W,TP,1608	1	SA		R10C	2007-000052	R-CHIP;10Kohm,1%,1/10W,TP,1608	1	SA	
MR142	2007-000072	R-CHIP;47ohm,5%,1/10W,TP,1608	1	SA		R10FL	2007-000052	R-CHIP;10Kohm,1%,1/10W,TP,1608	1	SA	
MR143	2007-000070	R-CHIP;0ohm,5%,1/10W,TP,1608	1	SA		R10FR	2007-000052	R-CHIP;10Kohm,1%,1/10W,TP,1608	1	SA	
MR15	2007-000072	R-CHIP;47ohm,5%,1/10W,TP,1608	1	SA		R10RL	2007-000052	R-CHIP;10Kohm,1%,1/10W,TP,1608	1	SA	
MR16	2007-000072	R-CHIP;47ohm,5%,1/10W,TP,1608	1	SA		R10SW	2007-000052	R-CHIP;10Kohm,1%,1/10W,TP,1608	1	SA	
MR17	2007-000072	R-CHIP;47ohm,5%,1/10W,TP,1608	1	SA		R11C	2007-002425	R-CHIP;1ohm,5%,1/10W,TP,1608	1	SA	
MR18	2007-000072	R-CHIP;47ohm,5%,1/10W,TP,1608	1	SA		R11CC	2007-000312	R-CHIP;10ohm,5%,1/4W,TP,3216	1	SA	
MR19	2007-000072	R-CHIP;47ohm,5%,1/10W,TP,1608	1	SA		R11FL	2007-002425	R-CHIP;1ohm,5%,1/10W,TP,1608	1	SA	
MR2	2007-000072	R-CHIP;47ohm,5%,1/10W,TP,1608	1	SA		R11FR	2007-002425	R-CHIP;1ohm,5%,1/10W,TP,1608	1	SA	
MR20	2007-000072	R-CHIP;47ohm,5%,1/10W,TP,1608	1	SA		R11RL	2007-002425	R-CHIP;1ohm,5%,1/10W,TP,1608	1	SA	
MR21	2007-000072	R-CHIP;47ohm,5%,1/10W,TP,1608	1	SA		R11SW	2007-002425	R-CHIP;1ohm,5%,1/10W,TP,1608	1	SA	
MR22	2007-000072	R-CHIP;47ohm,5%,1/10W,TP,1608	1	SA		R12C	2007-000052	R-CHIP;10Kohm,1%,1/10W,TP,1608	1	SA	
MR23	2007-000072	R-CHIP;47ohm,5%,1/10W,TP,1608	1	SA		R12FL	2007-000052	R-CHIP;10Kohm,1%,1/10W,TP,1608	1	SA	
MR24	2007-000072	R-CHIP;47ohm,5%,1/10W,TP,1608	1	SA		R12FR	2007-000052	R-CHIP;10Kohm,1%,1/10W,TP,1608	1	SA	
MR25	2007-000072	R-CHIP;47ohm,5%,1/10W,TP,1608	1	SA		R12RL	2007-000052	R-CHIP;10Kohm,1%,1/10W,TP,1608	1	SA	
MR26	2007-000072	R-CHIP;47ohm,5%,1/10W,TP,1608	1	SA		R12SW	2007-000052	R-CHIP;10Kohm,1%,1/10W,TP,1608	1	SA	
MR27	2007-000072	R-CHIP;47ohm,5%,1/10W,TP,1608	1	SA		R13C	2007-002425	R-CHIP;1ohm,5%,1/10W,TP,1608	1	SA	
MR28	2007-000072	R-CHIP;47ohm,5%,1/10W,TP,1608	1	SA		R13FL	2007-002425	R-CHIP;1ohm,5%,1/10W,TP,1608	1	SA	
MR29	2007-000074	R-CHIP;100ohm,5%,1/10W,TP,1608	1	SA		R13FR	2007-002425	R-CHIP;1ohm,5%,1/10W,TP,1608	1	SA	
MR3	2007-000072	R-CHIP;47ohm,5%,1/10W,TP,1608	1	SA		R13RL	2007-002425	R-CHIP;1ohm,5%,1/10W,TP,1608	1	SA	
MR30	2007-000074	R-CHIP;100ohm,5%,1/10W,TP,1608	1	SA		R13SW	2007-002425	R-CHIP;1ohm,5%,1/10W,TP,1608	1	SA	
MR31	2007-000074	R-CHIP;100ohm,5%,1/10W,TP,1608	1	SA		R14FR	2007-000462	R-CHIP;18ohm,5%,1/8W,TP,2012	1	SA	
MR32	2007-000074	R-CHIP;100ohm,5%,1/10W,TP,1608	1	SA		R150	2007-000941	R-CHIP;47Kohm,5%,1/8W,TP,2012	1	SA	
MR33	2007-000113	R-CHIP;33ohm,5%,1/10W,TP,1608	1	SA		R15FR	2007-000462	R-CHIP;18ohm,5%,1/8W,TP,2012	1	SA	
MR34	2007-000052	R-CHIP;10Kohm,1%,1/10W,TP,1608	1	SA		R16RR	2007-000462	R-CHIP;18ohm,5%,1/8W,TP,2012	1	SA	
MR35	2007-002425	R-CHIP;1ohm,5%,1/10W,TP,1608	1	SA		R17RR	2007-000462	R-CHIP;18ohm,5%,1/8W,TP,2012	1	SA	
MR36	2007-000109	R-CHIP;1Mohm,5%,1/10W,TP,1608	1	SA		R18RR	2007-000052	R-CHIP;10Kohm,1%,1/10W,TP,1608	1	SA	
MR37	2007-000116	R-CHIP;120ohm,5%,1/10W,TP,1608	1	SA		R19RR	2007-000052	R-CHIP;10Kohm,1%,1/10W,TP,1608	1	SA	
MR38	2007-000072	R-CHIP;47ohm,5%,1/10W,TP,1608	1	SA		R1FR	2007-000070	R-CHIP;0ohm,5%,1/10W,TP,1608	1	SA	
MR4	2007-000072	R-CHIP;47ohm,5%,1/10W,TP,1608	1	SA		R1RL	2007-000070	R-CHIP;0ohm,5%,1/10W,TP,1608	1	SA	
MR41	2007-000094	R-CHIP;22Kohm,5%,1/10W,TP,1608	1	SA		R1SW	2007-000070	R-CHIP;0ohm,5%,1/10W,TP,1608	1	SA	
MR5	2007-000072	R-CHIP;47ohm,5%,1/10W,TP,1608	1	SA		R20RR	2007-002425	R-CHIP;1ohm,5%,1/10W,TP,1608	1	SA	
MR6	2007-000072	R-CHIP;47ohm,5%,1/10W,TP,1608	1	SA		R21RR	2007-002425	R-CHIP;1ohm,5%,1/10W,TP,1608	1	SA	
MR7	2007-000052	R-CHIP;10Kohm,1%,1/10W,TP,1608	1	SA		R22FR	2007-000312	R-CHIP;10ohm,5%,1/4W,TP,3216	1	SA	
MR8	2007-000052	R-CHIP;10Kohm,1%,1/10W,TP,1608	1	SA		R24FR	2007-000070	R-CHIP;0ohm,5%,1/10W,TP,1608	1	SA	
MR9	2007-000052	R-CHIP;10Kohm,1%,1/10W,TP,1608	1	SA		R2C	2007-000312	R-CHIP;10ohm,5%,1/4W,TP,3216	1	SA	
MX1	2801-004354	CRYSTAL-UNIT;12.288MHZ,30PPM,ATS-49	1	SA		R2FL	2007-000312	R-CHIP;10ohm,5%,1/4W,TP,3216	1	SA	
NC6	2401-001020	C-AL;3.3uF,20%,50V,GP,TP,4X7,5	1	SA		R2FR	2007-000312	R-CHIP;10ohm,5%,1/4W,TP,3216	1	SA	
NC7	2401-000048	C-AL;47uF,20%,25V,GP,TP,5x11,5	1	SA		R2RL	2007-000312	R-CHIP;10ohm,5%,1/4W,TP,3216	1	SA	
NC8	2401-001164	C-AL;33uF,20%,16V,GP,TP,5x11mm,5mm	1	SA		R2SW	2007-000312	R-CHIP;10ohm,5%,1/4W,TP,3216	1	SA	
ND3	0401-001090	DIODE-SWITCHING;1SS355,80V,100MA,SO	1	SA		R32FR	2007-000694	R-CHIP;3.3ohm,5%,1/8W,TP,2012	1	SA	
ND4	0401-001090	DIODE-SWITCHING;1SS355,80V,100MA,SO	1	SA		R33RR	2007-000694	R-CHIP;3.3ohm,5%,1/8W,TP,2012	1	SA	
ND5	0401-001090	DIODE-SWITCHING;1SS355,80V,100MA,SO	1	SA		R3C	2007-000312	R-CHIP;10ohm,5%,1/4W,TP,3216	1	SA	
NIC1	1201-000163	IC-OP AMP;4560,SOP,8P,173MIL,DUAL,1	1	SA		R3FL	2007-000312	R-CHIP;10ohm,5%,1/4W,TP,3216	1	SA	
NQ3	0501-000010	TR-SMALL SIGNAL;KSC1008,NPN,800mW,T	1	SA		R3FR	2007-000129	R-CHIP;27Kohm,5%,1/10W,TP,1608	1	SA	
NR1	2007-000309	R-CHIP;10ohm,5%,1/10W,TP,1608	1	SA		R3RL	2007-000129	R-CHIP;27Kohm,5%,1/10W,TP,1608	1	SA	
NR11	2007-000090	R-CHIP;10Kohm,5%,1/10W,TP,1608	1	SA		R3SW	2007-000129	R-CHIP;27Kohm,5%,1/10W,TP,1608	1	SA	
						R46	2007-000253	R-CHIP;1.5ohm,5%,1/4W,TP,3216	1	SA	

Loc. No.	Part No.	Description;Specification	Q'ty	SNA	Remark	Loc. No.	Part No.	Description;Specification	Q'ty	SNA	Remark
R4C	2007-000090	R-CHIP;10Kohm,5%,1/10W,TP,1608	1	SA		SR6R	2007-000052	R-CHIP;10Kohm,1%,1/10W,TP,1608	1	SA	
R4FL	2007-000090	R-CHIP;10Kohm,5%,1/10W,TP,1608	1	SA		SR7L	2007-000097	R-CHIP;47Kohm,5%,1/10W,TP,1608	1	SA	
R4RL	2007-000090	R-CHIP;10Kohm,5%,1/10W,TP,1608	1	SA		SR7R	2007-000097	R-CHIP;47Kohm,5%,1/10W,TP,1608	1	SA	
R4RR	2007-000090	R-CHIP;10Kohm,5%,1/10W,TP,1608	1	SA		SR8L	2007-000097	R-CHIP;47Kohm,5%,1/10W,TP,1608	1	SA	
R4SW	2007-000090	R-CHIP;10Kohm,5%,1/10W,TP,1608	1	SA		SR8R	2007-000097	R-CHIP;47Kohm,5%,1/10W,TP,1608	1	SA	
R5C	2007-000070	R-CHIP;0ohm,5%,1/10W,TP,1608	1	SA		SR9L	2007-000052	R-CHIP;10Kohm,1%,1/10W,TP,1608	1	SA	
R5FL	2007-000070	R-CHIP;0ohm,5%,1/10W,TP,1608	1	SA		SR9R	2007-000113	R-CHIP;33ohm,5%,1/10W,TP,1608	1	SA	
R5FR	2007-000070	R-CHIP;0ohm,5%,1/10W,TP,1608	1	SA		AH99-10012R	ASSY PCB-AMP ASSY,m;HT-Z210,ASSY PC	1	SNA		
R5RL	2007-000070	R-CHIP;0ohm,5%,1/10W,TP,1608	1	SA		AH97-02723E	ASSY MACHINERY-MAIN OTHER;XSP,HT-TZ	1	SNA		
R5SW	2007-000070	R-CHIP;0ohm,5%,1/10W,TP,1608	1	SA		6902-000062	BAG PE;HDPE/NITRON/HDPE,T0.02/0.5/T	1	SNA		
R6C	2007-000312	R-CHIP;10ohm,5%,1/4W,TP,3216	1	SA		AH68-00371A	LABEL-BAR CODE;DVD-611/XAA,-,MOJO20	1.05	SNA		
R6FL	2007-000312	R-CHIP;10ohm,5%,1/4W,TP,3216	1	SA		AH68-01929H	LABEL RATING;HT-A100,ELS,SLIVER PET	1.05	SNA		
R6FR	2007-000090	R-CHIP;10Kohm,5%,1/10W,TP,1608	1	SA		AH68-01984A	MANUAL-CLEANING;HT-X200,-,-,-,ART P	1	SNA		
R6RL	2007-000312	R-CHIP;10ohm,5%,1/4W,TP,3216	1	SA		AH68-02072A	LABEL-POP LABEL;HT-Z210,EXP,RAINBOW	1	SA		
R6SW	2007-000312	R-CHIP;10ohm,5%,1/4W,TP,3216	1	SA		AH69-01995B	CUSHION;HT-Z310,EPS,T120,W50,L40,54	1	SNA		
R7RR	2007-000070	R-CHIP;0ohm,5%,1/10W,TP,1608	1	SA		AH69-02190A	CUSHION-FRONT;HT-Z210,EPS,T18,W500,	1	SNA		
R8C	2007-000462	R-CHIP;18ohm,5%,1/8W,TP,2012	1	SA		AH69-02191A	CUSHION-REAR;HT-Z210,EPS,T18,W500,L	1	SNA		
R8FL	2007-000462	R-CHIP;18ohm,5%,1/8W,TP,2012	1	SA		AH59-01907C	REMOCON-ASSY;HT-Z210/EUR,SAMSUNG,23	1	SA		
R8RL	2007-000462	R-CHIP;18ohm,5%,1/8W,TP,2012	1	SA		AH59-01957A	SPEAKER SYSTEM-BUYER;PS-TZ212,SATEL	1	SA		
R8RR	2007-000312	R-CHIP;10ohm,5%,1/4W,TP,3216	1	SA		AH59-01958A	SPEAKER SYSTEM-BUYER;PS-TZ212,SUBWO	1	SA		
R8SW	2007-000462	R-CHIP;18ohm,5%,1/8W,TP,2012	1	SA		AH69-02160D	MASTER CARTON;HT-Z210/KOR,PPR-OTH,T	1.03	SA		
R9C	2007-000462	R-CHIP;18ohm,5%,1/8W,TP,2012	1	SA		AH97-01831A	ASSY DVD DECK-SDM-D1FL,BASIC-TYPE,C	1	SA		
R9FL	2007-000462	R-CHIP;18ohm,5%,1/8W,TP,2012	1	SA							
R9RL	2007-000462	R-CHIP;18ohm,5%,1/8W,TP,2012	1	SA							
R9RR	2007-000312	R-CHIP;10ohm,5%,1/4W,TP,3216	1	SA							
R9SW	2007-000462	R-CHIP;18ohm,5%,1/8W,TP,2012	1	SA							
RESQ1	1203-003526	IC-VOL. DETECTOR;KIA7029AP,TO-92,3P	1	SA							
SC1L	2203-000236	C-CER,CHIP;0.1nF,5%,50V,C0G,1608	1	SA							
SC1R	2203-000236	C-CER,CHIP;0.1nF,5%,50V,C0G,1608	1	SA							
SC2L	2203-000236	C-CER,CHIP;0.1nF,5%,50V,C0G,1608	1	SA							
SC2R	2203-000236	C-CER,CHIP;0.1nF,5%,50V,C0G,1608	1	SA							
SC3L	2203-000236	C-CER,CHIP;0.1nF,5%,50V,C0G,1608	1	SA							
SC3R	2203-000236	C-CER,CHIP;0.1nF,5%,50V,C0G,1608	1	SA							
SC6L	2203-000998	C-CER,CHIP;0.047nF,5%,50V,C0G,1608	1	SA							
SC6R	2203-000998	C-CER,CHIP;0.047nF,5%,50V,C0G,1608	1	SA							
SC7L	2203-000998	C-CER,CHIP;0.047nF,5%,50V,C0G,1608	1	SA							
SC7R	2203-000998	C-CER,CHIP;0.047nF,5%,50V,C0G,1608	1	SA							
SC8L	2401-000042	C-AL;100uF,20%,16V,GP,TP,6.3x7,5	1	SA							
SC8R	2401-000042	C-AL;100uF,20%,16V,GP,TP,6.3x7,5	1	SA							
SC9L	2203-000236	C-CER,CHIP;0.1nF,5%,50V,C0G,1608	1	SA							
SC9R	2203-000236	C-CER,CHIP;0.1nF,5%,50V,C0G,1608	1	SA							
SCREW	6003-000276	SCREW-TAPTITE;BH,+,-,B,M3,L10,ZPC(W	4	SNA							
SDR1	2007-000070	R-CHIP;0ohm,5%,1/10W,TP,1608	1	SA							
SIC1	1201-000163	IC-OP AMP;4560,SOP,8P,173MIL,DUAL,1	1	SA							
SL1L	2703-000404	INDUCTOR-SMD;220uH,10%,3225	1	SA							
SL1R	2703-000404	INDUCTOR-SMD;220uH,10%,3225	1	SA							
SPK1	3716-001243	TERMINAL-BLOCK;-12P,14mm,-,-	1	SA							
SR1	2007-000074	R-CHIP;100ohm,5%,1/10W,TP,1608	1	SA							
SR10L	2007-000113	R-CHIP;33ohm,5%,1/10W,TP,1608	1	SA							
SR10R	2007-000052	R-CHIP;10Kohm,1%,1/10W,TP,1608	1	SA							
SR2	2007-000074	R-CHIP;100ohm,5%,1/10W,TP,1608	1	SA							
SR2L	2007-000094	R-CHIP;22Kohm,5%,1/10W,TP,1608	1	SA							
SR2R	2007-000094	R-CHIP;22Kohm,5%,1/10W,TP,1608	1	SA							
SR4L	2007-000094	R-CHIP;22Kohm,5%,1/10W,TP,1608	1	SA							
SR4R	2007-000094	R-CHIP;22Kohm,5%,1/10W,TP,1608	1	SA							
SR5L	2007-000052	R-CHIP;10Kohm,1%,1/10W,TP,1608	1	SA							
SR5R	2007-000052	R-CHIP;10Kohm,1%,1/10W,TP,1608	1	SA							
SR6L	2007-000052	R-CHIP;10Kohm,1%,1/10W,TP,1608	1	SA							

MEMO