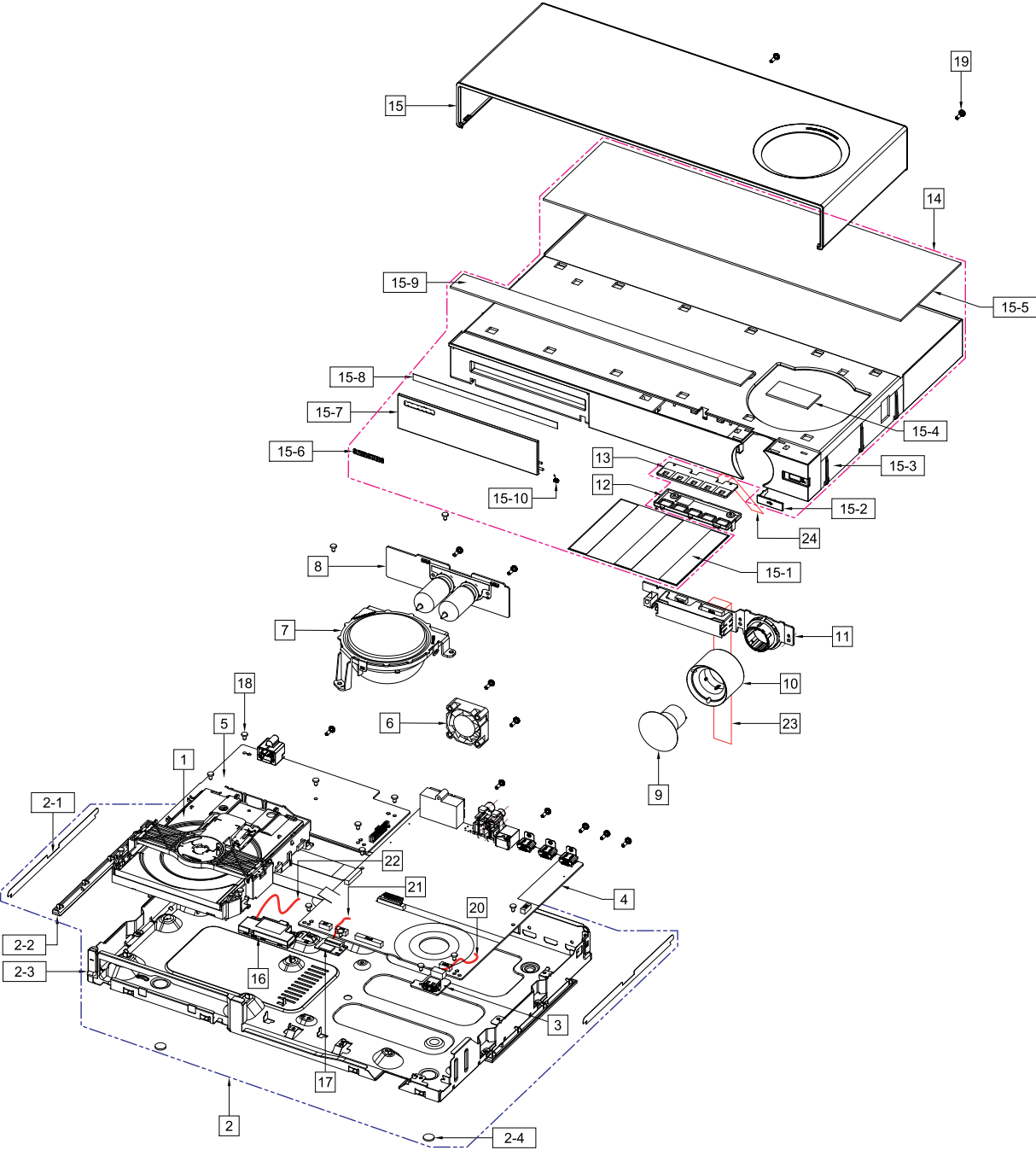


# 1. HT-FS9200/ZF (FG01)

## Exploded View

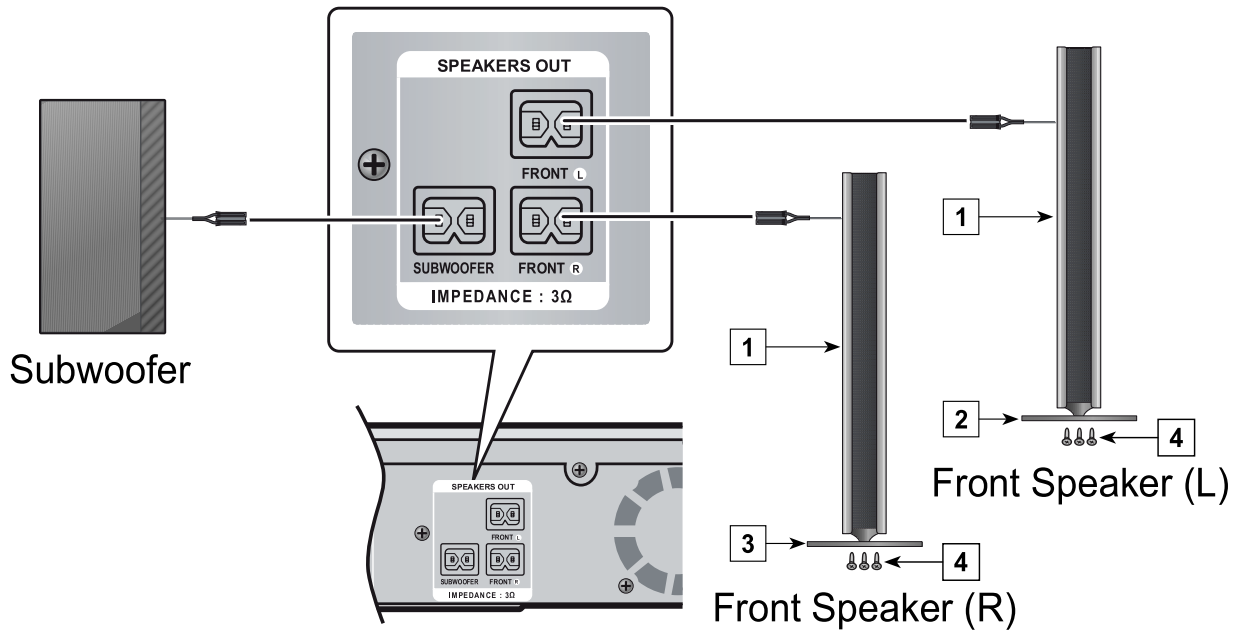


**Parts List**

No.	Lvl.	Loc.	Material Code	Description & Specification	SNA	Qty.
1	2	DECK	AH96-01628J	ASSY DECK P-HTS PLAYER; BD-P9,HT-F8500,10	SA	1
2	3	B001A	AH96-02598D	ASSY COVER P-BOTTOM; HT-FS9200,BLACK,BHF9	SNA	1
2-1	4		AH63-03333A	SHEET-ESD-SIDE; HT-F9750W,PET,0.3,CLEAR	SNA	2
2-2	4		AH63-03072A	COVER-SIDE-BOTTOM; HT-F9750W,ABS,G6757,HF	SNA	2
2-3	4	RB01	AH63-03074D	COVER-BOTTOM; HT-F9200,EGI-SECC,0.6T,ZF/X	SNA	1
2-4	4		AK67-00175A	RUBBER-FOOT; BD-E5400,Silicon,11pi,T2.8,R	SNA	2
3	2		AH94-03169A	ASSY PCB JACK-USB; HT-F9750W,HTS,FR-4,USB	SNA	1
4	3	M0014	AH94-03162A	ASSY PCB MAIN; FS9200,BD-HTS,MAIN,4	SA	1
5	2	P001A	AH44-00303A	DC VSS-AV HTS SMPS; V300LE_DSM,V300LE_DSM	SA	1
6	3	EF01	3103-001320	FAN-DC; 12V,130mA,4000RPM,0.10m^3/mi,0.07	SA	1
7	3		AH96-02594A	ASSY COVER P-VT; ASSY,HT-F9750,ALL,ASSY,B	SNA	1
8	3	MA01A	AH94-03158A	ASSY PCB AMP-VT; F9750W,HDC,CEM-3,NONE,2	SA	1
9	3		AH96-02592A	ASSY COVER P-VOLUME; ASSY,HT-F9750,ALL,AS	SA	1
10	3		AH96-02593A	ASSY COVER P-CAP-VOLUME; ASSY,HT-F9750,AL	SA	1
11	3	MF01A	AH94-03156A	ASSY PCB FRONT; F9750W,HDC,CEM-3,NONE,2	SA	1
12	3	CB23	AH61-03572A	HOLDER-TOUCH; HT-F9750W,ABS,W91902,HF-068	SNA	1
13	3	MK01A	AH94-03157A	ASSY PCB KEY-TOUCH; F9750W,HDC,FR-4,NONE,	SA	1
14	3	T001A	AH96-02590B	ASSY COVER P-TOP; HT-F9750,ABS+PC	SA	1
15	2	T001A	AH96-02589A	ASSY COVER P-TOP; ASSY,HT-F9750,ALL,ASSY,	SA	1
15-1	4		AH63-02605L	SHEET-INSULATOR; HT-F5500/6500,PP,0.5,W10	SNA	1
15-2	4	FD12	AK63-00968A	COVER-USB; BD-F7500,ABS+TPU,HB,BLACK,ABS	SNA	1
15-3	4	T001	AH63-03069A	COVER-TOP; HT-F9750W,ABS+PMMA,HB,G01153,S	SNA	1
15-4	4		AH63-03289A	SHEET-TOP-DECO; HT-F9750W,PC*,2,48.6,25.6	SNA	1
15-5	4		AH63-03287B	SHEET-TOP-MAIN; HT-F9750W,PC*,2,419.6,118	SNA	1
15-6	4		AK64-02560A	BADGE-BRAND; BD-F7500,Ni,0.6,35	SNA	1
15-7	4	AC227	AH63-03068A	COVER-DOOR; HT-F9750W,ABS+PC,V0	SA	1
15-8	4		AK63-00996A	SHEET-PROTECTION-INNER; BD-F7500,PET 0.04	SNA	1

No.	Lvl.	Loc.	Material Code	Description & Specification	SNA	Qty.
15-9	4		AH63-03288A	SHEET-TOP-BUTTON; HT-F9750W,PC*,2,340.6,2	SNA	1
15-10	4	ES04	AK61-01304A	SPRING ETC-DOOR; BD-F7500,SUS304WPB-Br,0.	SNA	1
16	3	NW01	BN59-01161A	NETWORK; WIDT-30Q,Internal WiFi,USB,IEEE8	SA	1
17	2	BT	AH96-02298A	ASSY BOARD P-RF-MODULE; Bluetooth Module,	SA	1
18	2	SCREW	6003-001561	SCREW-TAPTYPE; BH,+,-,B,M3,L6,ZPC(WHT),SW	SA	11
19	2	SCREW	6003-000275	SCREW-TAPTYPE; BH,+,-,B,M3,L10,ZPC(BLK),SWR	SA	5
20	2	EC13	AH39-01233A	LEAD CONNECTOR; HT-F6750W,Lead Connector,	SA	1
21	2	EC13	AH39-01232A	LEAD CONNECTOR; HT-F6750W,Lead Connector,	SA	1
22	3	EC13	AH39-01233B	LEAD CONNECTOR; HT-F9750W,Lead Connector,	SA	1
23	3	FL06	AH96-01934B	ASSY CABLE P; HT-F9750W,FFC,120mm,22P,A t	SA	1
24	3	FL06	AH96-01975L	ASSY CABLE P; HT-F9750W,FFC,NH,50mm,9P,B	SA	1

## 2. Speaker System



### Parts List

Loc. No.	Part No.	Description;Specification	Qty.	SNA
Subwoofer	AH96-02403A	ASSY SPEAKER P-SUBWOOFER; 3ohm,FW5-1,World Wide,Subwoofer	1	SA
1	AH82-00553A	A/S ASSY-PS-ES7-1 FRONT SPEAKER; AV SPK, FOR HT-ES8200,Front L/R,ES7,for CKD,AI + Metal Grille	2	SA
2	AH82-00773A	A/S ASSY-STYLISH SPEAKER STAND; AV SPK, FOR HT-FS9200,Stand Left,FS7-1	1	SA
3	AH82-00774A	A/S ASSY-STYLISH SPEAKER STAND; AV SPK, FOR HT-FS9200,Stand Right,FS7-1	1	SA
4	AH81-07730A	SPEAKER-SCREW; 2.5*5BB/SILVER D:6.5,for PS-ES7,Silver,Screw	6	SA
Front Speaker Cable (R)	AH81-05321A	SPEAKER-WIRE-FRONT RIGHT; PS-X725,4M*2PIN CLEAR,RED CONNECTOR	1	SA
Front Speaker Cable (L)	AH81-05322A	SPEAKER-WIRE-FRONT LEFT; PS-X725,4M*2PIN CLEAR,WHITE CONNECTOR	1	SA
Subwoofer Speaker Cable	AH81-07802A	SPEAKER-CABLE; AV SPK,Subwoofer,Purple,4M,#20	1	SA

### 3. Electrical Parts List

Level	Loc.	Part Code	Description & Specification	Qty.	SA/SNA
			<b>HT-FS9200/ZF (FG01)</b>		
1		AH90-00913H	ASSY DECK-HTS PLAYER;BD-P9,F8500,1OL(IM	1	SNA
.2	DECK	AH96-01628J	ASSY DECK P-HTS PLAYER;BD-P9,HT-F8500,1O	1	SA
..3	SCREW	6003-001795	SCREW-TAPTYPE;PWH,B,M2,L6,ZPC(WHT),SWCH1	4	SNA
..3		AK61-01279A	SPRING ETC-CLAMP DISC;BD-P9,Sus 304	1	SNA
..3		AK62-00058A	RUBBER BUTYL-DAMPER;BD-P9,BUTYL,1.9,10,B	4	SNA
..3	DH02A	AK90-00251A	ASSY HOLDER-CHUCK;BD-P9	1	SNA
..4		AK61-01291A	HOLDER-CHUCK;BD-P9N,ABS	1	SNA
..4		AK61-01292A	PLATE-CLAMPE;BD-P9N,SUS,SILVER	1	SNA
..4		AK65-00004A	CLAMP-DISC;ABS*,WHITE	1	SNA
..4		AK68-02240A	LABEL CAUTION-WARNING;BD-P8,ART PAPER,0.	1	SNA
..3		AK90-00265D	ASSY MISC-FRAME MAIN;BD-P9N,260mm	1	SNA
..4		6001-001370	SCREW-MACHINE;CH,+,M1.7,L3,ZPC(WHT),SWRC	1	SA
..4	DB02	6602-001076	BELT-RECTANGULAR;CR,T1.2,4.3%,1.2X25.1,B	1	SNA
..4	SNA	AK31-00043C	MOTOR DC-LOADING;JQ24-35H440,5000,0.392,	1	SNA
..4	CF02	AK61-01274C	FRAME-MAIN;BD-P9N,ABS	1	SNA
..4	DS02	AK61-01275A	SLIDER-CAM;BD-P9,POM	1	SNA
..4		AK61-01276A	HOLDER-BRACKET DECK;BD-P9,ABS	1	SNA
..4	FT01	AK63-00940A	TRAY-DISC;BD-P9,ABS	1	SNA
..4	SNA	AK66-00167A	PULLEY-MOTOR;BD-P6,POM K700,BLK	1	SNA
..4	DG06	AK66-00254A	GEAR-PULLEY;BD-P8,POM,NTR	1	SNA
..4	DG08	AK66-00255A	GEAR-TRAY;BD-P8,POM,NTR	1	SNA
..4		AK96-02049B	ASSY PCB P-MOTOR;BD-P9N_F9750W	1	SNA
..4		AK96-02150A	ASSY MISC P-IM TRAVERSE;BD-P9N,IM traver	1	SNA
1		AH90-01088B	ASSY COVER TOP;HT-F9200,BHF9	1	SNA
.2	T001A	AH96-02589A	ASSY COVER P-TOP;ASSY,HT-F9750,ALL,ASSY,	1	SA
..3		AH61-03654A	BRACKET-SHEET-DECO;HT-F9750W,AL,T0.6,LIG	1	SNA
..3	FD02	AH64-05655A	DECORATION-TOP;HT-F9750W,ABS+PC,G6757	1	SNA
..3		AH64-05744A	DECORATION-VT;HT-F9750W,PP,1.0,80,80	1	SNA
..3		AK63-00975A	SHEET-TAPE;BD-F7500,TAPE,0.15,20mm,CLEAR	1	SNA
..3		AK63-00975B	SHEET-TAPE;HT-F9750W,TAPE,0.16,10mm,CLEA	1	SNA
..3		AK63-00985F	SHEET-PROTECTION-TOP;HT-F9750W,PET,0.048	1	SNA
..3		AK63-01020A	SHEET-VT;HT-F9750W,TAPE,0.16,10mm,CLEAR	4	SNA
.2		AH96-02607A	ASSY MISC P-KIT VT AMP;HT-F9750W,EN	1	SNA
..3	MA01A	AH94-03158A	ASSY PCB AMP-VT;F9750W,HDC,CEM-3,NONE,2	1	SA
..4	EL02	0601-003174	LED;Round,Orange,3.0mm,611nm	2	SA
..4		3710-003469	CONNECTOR-SOCKET;9P,STRAIGHT,BLK	2	SA
..4		3711-008466	HEADER-BOARD TO BOARD;NOWALL,23P,2R,2.0m	1	SA

## Exploded Views and Parts List

Level	Loc.	Part Code	Description & Specification	Qty.	SA/SNA
...4		AH61-03504A	HOLDER-BOND;HT-E6730W,ABS+PC,CLEAR,BOND	1	SNA
...4	VT01	AH62-00257A	TUBE VACCUM;22,ECC82-12AU7,49.2,ECC82-12	2	SA
...4		AH97-11225A	ASSY SMD-VT;HT-F9750,HDC,ASSY SMD,SUB-VT	1	SNA
....5		0502-001360	TR-POWER;STC405D,NPN,15000mW,TO-252	1	SA
....5		0505-001905	FET-SILICON;2N7002,N,60V,300mA,7.5ohm,.3	2	SA
....5	EL02	0601-003320	LED;SMD(TOP VIEW),ORG,2.4mm,611nm,3.5x2.	4	SA
....5		1203-002146	IC-POSIFIXED REG.;5171,SOP,8P,153MIL,PL	1	SA
....5		2007-000082	R-CHIP;3.3Kohm,5%,1/10W,TP,1608	1	SA
....5		2007-000106	R-CHIP;220Kohm,5%,1/10W,TP,1608	1	SA
....5		2007-000113	R-CHIP;33ohm,5%,1/10W,TP,1608	8	SA
....5		2007-000448	R-CHIP;180ohm,1%,1/10W,TP,1608	6	SA
....5		2007-000455	R-CHIP;18Kohm,1%,1/10W,TP,1608	1	SA
....5		2007-000583	R-CHIP;22Kohm,1%,1/10W,TP,1608	1	SA
....5		2007-000819	R-CHIP;390Kohm,5%,1/10W,TP,1608	1	SNA
....5		2007-001134	R-CHIP;68ohm,5%,1/10W,TP,1608	1	SA
....5		2007-001135	R-CHIP;68ohm,5%,1/4W,TP,3216	6	SA
....5		2402-001181	C-AL,SMD;100uF,20%,16V,HR,TP,6.6x6.6x8mm	2	SA
....5		2402-001238	C-AL,SMD;1uF,20%,50V,HR,TP,4.3x4.3x5.2mm	2	SA
....5		2402-001254	C-AL,SMD;10uF,20%,50V,WT,TP,6.3x5.2mm	4	SA
....5		2402-001276	C-AL,SMD;47uF,20%,35V,TP,6.6x6.6x5.8mm	1	SNA
....5		2402-001371	C-AL,SMD;100uF,20%,35V,HR,TP,8x8.3x10	4	SA
....5		2402-001387	C-AL,SMD;10uF,20%,100V,TP,8x8x6.2	2	SA
....5		2703-003879	INDUCTOR-SMD;33uH,20%,10.0mmX10.0mm,0.12	1	SA
....5		AH41-01619A	PCB SUB-VT;HT-F9750W,FR-4,2,00,1.2 T,94	1	SNA
...3		AH96-02594A	ASSY COVER P-VT;ASSY,HT-F9750,ALL,ASSY,B	1	SNA
...4		AH61-03568A	HOLDER-VT;HT-F6500,ABS+PC,QP-1010,NP	1	SNA
...4	AH315	AH61-03571A	HOLDER-LENS;HT-F9750W,ABS,W91902,HF-0680	1	SNA
...4		AH63-03073A	COVER-VT;HT-F9750W,PC,V2,B0228,TN-1045M	1	SA
...4		AH67-00675A	LENS-VT;HT-F9750W,PC,MILKY	1	SA
.2		AH96-02608B	ASSY MISC P-KIT TOP(K+V+U);HT-FS9200,EN	1	SNA
...3	CB23	AH61-03572A	HOLDER-TOUCH;HT-F9750W,ABS,W91902,HF-068	1	SNA
...3		AH63-03335A	SHEET-TOUCH;HT-F9750W,FELT,0.3,85,6,BLAC	1	SNA
...3		AH63-03394A	SHEET-TOUCH;HT-F9750W,FELT,0.3,85,6,BLAC	1	SNA
...3	MF01A	AH94-03156A	ASSY PCB FRONT;F9750W,HDC,CEM-3,NONE,2	1	SA
...4		0609-001352	MODULE REMOCON;HORIZONTAL,20mm,TR	1	SA
...4	CD510	3409-001255	SWITCH;EC35AH220403,35x35x18.5,100Mohm,P	1	SNA
...4	EV01	AH07-00287A	VFD DISPLAY;HT-F9750W,006BD003INB1K,Gree	1	SA
...4		AH39-01248A	LEAD CONNECTOR-GND WIRE;MX-FS9000,Lead C	1	SA
...4	AH410	AH61-03570A	HOLDER-VFD;HT-F9750W,ABS,K21294,HF-0680U	1	SNA
...4	AF020	AH63-02257C	FILTER-VFD;HT-F5500/6500,PC,T0,5,VIOLET,	1	SNA

Level	Loc.	Part Code	Description & Specification	Qty.	SA/SNA
...4		AH97-11221A	ASSY SMD;HT-F9750,HDC,ASSY SMD,SUB-VFD,2	1	SNA
....5	EL02	0601-003310	LED;SMD(TOP VIEW),RED,632nm,3.5x2.8x1.9m	1	SA
....5		2007-000101	R-CHIP;82Kohm,5%,1/10W,TP,1608	1	SA
....5		2007-000308	R-CHIP;10ohm,5%,1/8W,TP,2012	2	SA
....5		3301-001808	BEAD-SMD;120ohm,1005,TP,530ohm/390MHz,12	10	SA
....5		3708-002555	CONNECTOR-FPC/FFC/PIC;22P,1mm,SMD-A,SN,N	1	SNA
....5		AH41-01617A	PCB SUB-VFD;HT-F9750W,FR-4,2,00,1.2 T,18	1	SNA
..3	MK01A	AH94-03157A	ASSY PCB KEY-TOUCH;F9750W,HDC,FR-4,NONE,	1	SA
...4		AH97-11223A	ASSY SMD-TOUCH;HT-F9750,HDC,ASSY SMD,KEY	1	SNA
....5		0403-001411	DIODE-ZENER;5.49-5.73V,200mW,SOD-323,TP	1	SA
....5		0406-001239	DIODE-TVS;RClamp0502B,6/-V,125W,SOT-52	1	SNA
....5	EL02	0601-002705	LED;SMD(SIDE VIEW),WHT,3.8x1.2x0.6mm,632	10	SA
....5		2007-000139	R-CHIP;220ohm,5%,1/16W,TP,1005	16	SA
....5	AD480	2203-005918	C-CER,CHIP;1000nF,10%,6.3V,X7R,TP,1608	3	SA
....5		3708-002085	CONNECTOR-FPC/FFC/PIC;9P,1mm,SMD-A,SN,NO	1	SNA
....5		AH11-00299A	IC MASK ROM-TOUCH SENSOR;HT-F9750W,12k,M	1	SA
....5		AH41-01628A	PCB SUB-TOUCH;HT-F9750W,FR-4,2,00,1.6 T,	1	SNA
..3	FL06	AH96-01934B	ASSY CABLE P;HT-F9750W,FFC,120mm,22P,A t	1	SA
..3	FL06	AH96-01975L	ASSY CABLE P;HT-F9750W,FFC,NH,50mm,9P,B	1	SA
..3	T001A	AH96-02590B	ASSY COVER P-TOP;HT-F9750,ABS+PC	1	SA
...4		AH63-02605L	SHEET-INSULATOR;HT-F5500/6500,PP,0.5,W10	1	SNA
...4	AC227	AH63-03068A	COVER-DOOR;HT-F9750W,ABS+PC,V0	1	SA
...4	T001	AH63-03069A	COVER-TOP;HT-F9750W,ABS+PMMA,HB,G01153,S	1	SNA
...4		AH63-03287B	SHEET-TOP-MAIN;HT-F9750W,PC*,2,419.6,118	1	SNA
...4		AH63-03288A	SHEET-TOP-BUTTON;HT-F9750W,PC*,2,340.6,2	1	SNA
...4		AH63-03289A	SHEET-TOP-DECO;HT-F9750W,PC*,2,48.6,25.6	1	SNA
...4		AH63-03375A	SHEET-PROTECTION-FRONT;HT-F9750W,PET,0.0	1	SNA
...4	ES04	AK61-01304A	SPRING ETC-DOOR;BD-F7500,SUS304WPB-Br,0.	1	SNA
...4	FD12	AK63-00968A	COVER-USB;BD-F7500,ABS+TPU,HB,BLACK,ABS	1	SNA
...4		AK63-00985G	SHEET-PROTECTION-DOOR;HT-F9750W,PET,0.04	1	SNA
...4		AK63-00996A	SHEET-PROTECTION-INNER;BD-F7500,PET 0.04	1	SNA
...4		AK64-02560A	BADGE-BRAND;BD-F7500,Ni,0.6,35	1	SNA
..3		AH96-02592A	ASSY COVER P-VOLUME;ASSY,HT-F9750,ALL,AS	1	SA
...4		AH63-03070A	COVER-LED;HT-F9750W,ABS	1	SNA
...4	AS171	AH63-03290A	SHEET-VOLUME;HT-F9750W,PC*,1,46pi,BLACK	1	SNA
...4	AL210	AH67-00674A	LENS-VOLUME;HT-F9750W,PC,CLEAR,SC-1220R	1	SA
..3		AH96-02593A	ASSY COVER P-CAP-VOLUME;ASSY,HT-F9750,AL	1	SA
...4	SCREW	6003-001438	SCREW-TAPTYPE;BH,+,B,M2,L6,ZPC(BLK)	3	SA
...4		AH63-03071A	COVER-VOLUME;HT-F9750W,ABS,BLK	1	SNA
...4		AH63-03315A	COVER-VOLUME-CAP;AV HTS, HT-F9750W,AL,45	1	SNA

Exploded Views and Parts List

Level	Loc.	Part Code	Description & Specification	Qty.	SA/SNA
1		AH90-01089D	ASSY COVER BOTTOM;HT-FS9200,BHF9	1	SNA
.2		AH96-02606B	ASSY MISC P-KIT BOT(M+WIFI);HT-FS9200,EN	1	SNA
...3	EF01	3103-001320	FAN-DC;12V,130mA,4000RPM,0.10m^3/mi,0.07	1	SA
...3	SCREW	6003-000275	SCREW-TAPTYPE;BH,+ ,B,M3,L10,ZPC(BLK),SWR	4	SA
...3	SCREW	6003-001561	SCREW-TAPTYPE;BH,+ ,-,B,M3,L6,ZPC(WHT),SW	5	SA
...3	T0073	AA63-01109C	GASKET-EMI;42D5,Conductive Fabric,T0.5,1	1	SA
...3	EC13	AH39-01233B	LEAD CONNECTOR;HT-F9750W,Lead Connector,	1	SA
...3		AH62-00278A	PAD GAP;HT-F9750W,PAD*,5.0 mm,35 mm,20 m	1	SNA
...3	M0014	AH94-03162A	ASSY PCB MAIN;FS9200,BD-HTS,MAIN,4	1	SA
...4		0202-001608	SOLDER-WIRE FLUX;LFC7-107,D0.8,99.3Sn/0.	0	SNA
...4		0202-001768	SOLDER-BAR;HSE-16,S60S-20,D3,SN/0.5CU/0.	6	SNA
...4		0204-002514	THINNER;TS4500,OXIGEN,NO,13.15KG,14KG/BO	7	SNA
...4		0204-002606	FLUX;LF-715K,OXIGEN,NO,16000L,14%,16kg,G	4	SNA
...4		2301-002070	C-FILM,LEAD-PPF;470nF,5%,100V,TP,4.0x10.	3	SA
...4		2401-005034	C-AL;1000uF,20%,50V,BK,12.5x35L,5mm	8	SA
...4		3710-002087	SOCKET-BOARD TO CABLE;23P,1R,1.25mm,STRA	1	SA
...4		3716-001660	TERMINAL-BLOCK;JACK TYPE,3P,4.5mm,40V,5A	1	SA
...4		3719-001808	CONNECTOR-COMBO;RCA+Optical,NI/SN,3P+1P,	1	SA
...4		3722-003266	JACK-MODULAR;8P/8C,Yes,ANGLE-DIP,W/O,AU,	1	SA
...4		AH27-00088A	COIL CHOKE;DBF-14E16,18uH,15%,10 mohm,7.	1	SA
...4		AH27-00094A	COIL;7G23B-100M-R,10uH,20%,DC satu. allo	2	SA
...4		AH68-50254B	LABEL-SERIAL;-,-,TETRON,T0.1,W42,L10,-,-	1	SNA
...4		AH97-11218A	ASSY HDCP;HT-F9750W,HDC,EUROPE,NONE,AH94	1	SNA
....5		AH46-00095A	KEY CODE-CERTIFI;HT-F9750,PACK, AV, Fox-	1	SNA
....5		BN46-00109H	KEY CODE-CERTIFI;MAC,TV/AV,General	1	SNA
...4		AH97-11357A	ASSY SMD;FS9200,BD-HTS,MAIN,4,AH94-03162	1	SNA
....5		0202-001626	SOLDER-CREAM;PF305-118EO,D15-35,96.5SN/3	7	SNA
....5	DS01A	0401-001056	DIODE-SWITCHING;MMBD4148SE,100V,200mA,SO	1	SA
....5	DS01A	0401-001099	DIODE-SWITCHING;1N4148WS,75V,150mA,SOD-3	15	SA
....5	DS01A	0401-001166	DIODE-SWITCHING;BAV20WS-V,150V,250mA,SOD	3	SA
....5		0402-001090	DIODE-SCHOTTKY;MBRS1100,100V,1000MA,DO-2	1	SNA
....5	DR01A	0402-001427	DIODE-RECTIFIER;ES1D,200V,1A,DO-214AC,TP	2	SA
....5	DR01A	0402-001614	DIODE-RECTIFIER;S1G,400V,1A,DO-214AC,TP	7	SA
....5		0403-001441	DIODE-ZENER;MMSZ5239B,5%,500MW,SOD-123,T	1	SA
....5		0403-001483	DIODE-ZENER;UDZS18B,17.56-18.35V,200mW,S	2	SA
....5		0403-001785	DIODE-ZENER;NZH5V1B,4.94/5.2V,500mW,SOD-	1	SA
....5		0404-001006	DIODE-SCHOTTKY;RB751V,40V,30mA,SOD-323,T	4	SA
....5		0404-001084	DIODE-SCHOTTKY;BAT54A,30V,200mA,SOT-23,T	1	SA
....5		0404-001157	DIODE-SCHOTTKY;RB160M-30,30V,1000MA,PMDU	1	SA
....5		0404-001818	DIODE-SCHOTTKY;BAT46WJ,100V,200mA,SOD323	2	SA



Level	Loc.	Part Code	Description & Specification	Qty.	SA/SNA
....5		0406-001203	DIODE-TVS;uClamp3301H,3.5/3.9/4.6V,40W,S	1	SA
....5		0406-001271	DIODE-TVS;RCLAMP0524P,6/-V,150W,SLP251	7	SNA
....5		0406-001395	DIODE-TVS;AOZ8802ADI,6/-V,DFN-6	10	SA
....5		0501-000002	TR-SMALL SIGNAL;KSA812,PNP,150mW,SOT-23,	3	SNA
....5		0501-000279	TR-SMALL SIGNAL;KSA1182-Y,PNP,150mW,SOT-	2	SA
....5		0501-000341	TR-SMALL SIGNAL;KSC1623-L,NPN,200mW,SOT-	1	SA
....5		0501-000457	TR-SMALL SIGNAL;MMBT2222A/KST2222A,NPN,3	3	SA
....5		0501-000462	TR-SMALL SIGNAL;MMBT2907A,PNP,350mW,SOT-	1	SNA
....5		0501-000479	TR-SMALL SIGNAL;KST42,NPN,350mW,SOT-23,T	2	SA
....5		0504-000105	TR-DIGITAL;DTA114EU,PNP,200MW,10K/10K,SC	2	SA
....5		0504-000128	TR-DIGITAL;FJV3103R,NPN,200mW,22K/22Kohm	5	SA
....5		0504-000129	TR-DIGITAL;KSR1104,NPN,200mW,47K/47Kohm,	1	SNA
....5		0504-000156	TR-DIGITAL;KSR2103,PNP,200MW,22K/22K,SOT	3	SA
....5		0504-001013	TR-DIGITAL;KRC106S,NPN,200MW,4.7K/47K,SO	2	SNA
....5		0505-001377	FET-SILICON;BSN20,N,50V,100mA,15ohm,0.83	1	SA
....5		0505-002365	FET-SILICON;IRF6645,N,100V,5.7A,0.035ohm	2	SNA
....5		0505-003272	FET-GAAS;IRGAN08T001,80V,20V,17A,18000mW	2	SA
....5	EL02	0601-002037	LED;SMD(TOP VIEW),BLUE,1.6x0.8mm,465/470	3	SNA
....5		0801-002518	IC-CMOS LOGIC;74LCX157,2-INPUT MULTIPLEX	1	SA
....5		0801-003415	IC-CMOS LOGIC;74HC4052,MUX/DEMUX,TSSOP,1	1	SA
....5		1002-001582	IC-A/D CONVERTER;CS5346,24,LQFP,48P,7x7m	1	SNA
....5		1003-002143	IC-GATE DRIVER;IRS2092STRPBF,SOP,16P,9.9	1	SA
....5		1003-002494	IC-MOTOR DRIVER;TPIC2050,SOP,56Z30,14x6.	1	SA
....5		1003-002560	IC-GATE DRIVER;IRS20957STRPBF,SOIC16N,16	2	SA
....5		1103-001531	IC-EEPROM;S-24C256CI-J8T1U4,256Kbit,32Kx	1	SA
....5		1105-002227	IC-DDR3 SDRAM;K4B1G1646G-BCK0,DDR3 SDRAM	1	SA
....5		1105-002252	IC-DDR3 SDRAM;K4B2G0846C-HCK0,DDR3 SDRAM	2	SA
....5		1201-000163	IC-OP AMP;4560,SOP,8P,173MIL,DUAL,100V/m	3	SA
....5		1201-003575	IC-OP AMP;TLC081AIDR,SOIC,TR,8P,4.9x3.9x	2	SA
....5		1201-003578	IC-AUDIO AMP;OPA1652AIDR,SOIC,8P,5x4x1.7	3	SA
....5		1203-002835	IC-POSI.FIXED REG.;7805,3P,6.6x6.1mm,PLA	1	SA
....5		1203-004363	IC-VOL. DETECTOR;SOT-23,3Z30,2.9x1.6mm,P	1	SA
....5		1203-006067	IC-POWER SUPERVISOR;TPS2553DBVR,SOT-23,6	2	SNA
....5		1203-006105	IC-DC/DC CONVERTER;MAX5033DUSA,SO,8P,4.9	1	SNA
....5		1203-006107	IC-NEGA.FIXED REG.;KIA7905F,DPAK,3P,6.6x	1	SNA
....5		1203-006133	IC-POSI.ADJUST REG.;AP1117D-25-GZ-13-89,	1	SA
....5		1203-006135	IC-POSI.FIXED REG.;AP1117D-33-GZ-13-89,T	2	SA
....5		1203-007005	IC-POSI.FIXED REG.;G912F11U,SOP-8(FD),8P	1	SA
....5		1203-007107	IC-RESET;CAT853STBI-T3,SOT-23 3-Lead,3P,	1	SA
....5		1203-007137	IC-POSI.ADJUST REG.;AP7361-Y,SOT89,5P,4.	1	SA

Exploded Views and Parts List

Level	Loc.	Part Code	Description & Specification	Qty.	SA/SNA
....5		1203-007242	IC-POSI.ADJUST REG.;G2992BP11U,SOP-8,8P,	1	SA
....5		1203-007502	IC-DC/DC CONVERTER;AOZ3011PI,SO-8,8Z30,4	3	SA
....5		1203-007695	IC-DC/DC CONVERTER;AOZ3018,SO-8,8Z30,4.9	1	SNA
....5		1203-007699	IC-DC/DC CONVERTER;AOZ3017PI,SO-8,8Z30,4	1	SNA
....5		1203-007707	IC-POSI.ADJUST REG.;AP7362ADJ,SO-8EP,8Z3	1	SA
....5		1204-003345	IC-TUNER;SI4705-D60-GMR,QFN,20P,3x3mm,PL	1	SA
....5		1204-003415	IC-VIDEO PROCESS;SDP1207,PBGA,522Z30,23x	1	SNA
....5		1204-003425	IC-MODULATOR;UB2130,TQFP,64Z30,7x7x1mm,P	1	SA
....5		1204-003433	IC-MODULATOR;Si19612,TQFP,76Z30,9x9x0.9m	1	SNA
....5		1205-003834	IC-ETHERNET CONTROLLER;RTL8201E-VC-GRT,Q	1	SA
....5		1205-004698	IC-CLOCK GENERATOR;IDT6V41220DCG8,SOIC,8	1	SA
....5		1205-004727	IC-SWITCH;AOZ1320CI-04,SOT23-6,6P,2.9x1.	3	SA
....5		1405-001192	VARISTOR;12Vdc,30A,1.6x0.8x0.55mm,TP,50V	3	SA
....5		1405-001306	VARISTOR;11Vdc,45A,0603,TP,50V	1	SA
....5		2007-000033	R-CHIP;0ohm,5%,1/4W,TP,3216	4	SA
....5		2007-000034	R-CHIP;1ohm,5%,1/4W,TP,3216	4	SNA
....5		2007-000039	R-CHIP;0ohm,1%,1/10W,TP,1608	1	SA
....5		2007-000040	R-CHIP;150ohm,1%,1/10W,TP,1608	2	SNA
....5		2007-000043	R-CHIP;1Kohm,1%,1/10W,TP,1608	4	SNA
....5		2007-000052	R-CHIP;10Kohm,1%,1/10W,TP,1608	8	SA
....5		2007-000060	R-CHIP;100Kohm,1%,1/10W,TP,1608	3	SNA
....5		2007-000066	R-CHIP;20Kohm,1%,1/10W,TP,1608	5	SA
....5		2007-000067	R-CHIP;15Kohm,1%,1/10W,TP,1608	1	SNA
....5		2007-000070	R-CHIP;0ohm,5%,1/10W,TP,1608	21	SA
....5		2007-000071	R-CHIP;22ohm,5%,1/10W,TP,1608	2	SA
....5		2007-000072	R-CHIP;47ohm,5%,1/10W,TP,1608	3	SNA
....5		2007-000074	R-CHIP;100ohm,5%,1/10W,TP,1608	6	SNA
....5		2007-000075	R-CHIP;220ohm,5%,1/10W,TP,1608	3	SA
....5		2007-000076	R-CHIP;330ohm,5%,1/10W,TP,1608	4	SNA
....5		2007-000077	R-CHIP;470ohm,5%,1/10W,TP,1608	2	SA
....5		2007-000078	R-CHIP;1Kohm,5%,1/10W,TP,1608	9	SA
....5		2007-000079	R-CHIP;1.8Kohm,5%,1/10W,TP,1608	2	SA
....5		2007-000080	R-CHIP;2Kohm,5%,1/10W,TP,1608	8	SNA
....5		2007-000083	R-CHIP;3Kohm,5%,1/10W,TP,1608	2	SNA
....5		2007-000084	R-CHIP;4.7Kohm,5%,1/10W,TP,1608	11	SA
....5		2007-000086	R-CHIP;5.6Kohm,5%,1/10W,TP,1608	2	SNA
....5		2007-000087	R-CHIP;6.8Kohm,5%,1/10W,TP,1608	4	SA
....5		2007-000090	R-CHIP;10Kohm,5%,1/10W,TP,1608	14	SA
....5		2007-000091	R-CHIP;12Kohm,5%,1/10W,TP,1608	6	SNA
....5		2007-000092	R-CHIP;15Kohm,5%,1/10W,TP,1608	2	SNA

Level	Loc.	Part Code	Description & Specification	Qty.	SA/SNA
....5		2007-000094	R-CHIP;22Kohm,5%,1/10W,TP,1608	2	SNA
....5		2007-000097	R-CHIP;47Kohm,5%,1/10W,TP,1608	13	SA
....5		2007-000102	R-CHIP;100Kohm,5%,1/10W,TP,1608	1	SA
....5		2007-000107	R-CHIP;470Kohm,5%,1/10W,TP,1608	2	SNA
....5		2007-000108	R-CHIP;510Kohm,5%,1/10W,TP,1608	1	SA
....5		2007-000109	R-CHIP;1Mohm,5%,1/10W,TP,1608	1	SA
....5		2007-000116	R-CHIP;120ohm,5%,1/10W,TP,1608	1	SNA
....5		2007-000118	R-CHIP;390ohm,5%,1/10W,TP,1608	2	SA
....5		2007-000121	R-CHIP;820ohm,5%,1/10W,TP,1608	1	SA
....5		2007-000122	R-CHIP;1.2Kohm,5%,1/10W,TP,1608	1	SA
....5		2007-000123	R-CHIP;1.5Kohm,5%,1/10W,TP,1608	2	SA
....5		2007-000124	R-CHIP;2.2Kohm,5%,1/10W,TP,1608	2	SNA
....5		2007-000127	R-CHIP;9.1Kohm,5%,1/10W,TP,1608	2	SNA
....5		2007-000129	R-CHIP;27Kohm,5%,1/10W,TP,1608	4	SA
....5		2007-000134	R-CHIP;33Kohm,5%,1/10W,TP,1608	5	SNA
....5		2007-000137	R-CHIP;2Kohm,5%,1/16W,TP,1005	4	SA
....5		2007-000138	R-CHIP;100ohm,5%,1/16W,TP,1005	47	SA
....5		2007-000140	R-CHIP;1Kohm,5%,1/16W,TP,1005	18	SNA
....5		2007-000141	R-CHIP;2.2Kohm,5%,1/16W,TP,1005	2	SNA
....5		2007-000143	R-CHIP;4.7Kohm,5%,1/16W,TP,1005	11	SNA
....5		2007-000146	R-CHIP;6.8Kohm,5%,1/16W,TP,1005	2	SNA
....5		2007-000147	R-CHIP;8.2Kohm,5%,1/16W,TP,1005	1	SA
....5		2007-000148	R-CHIP;10Kohm,5%,1/16W,TP,1005	52	SA
....5		2007-000149	R-CHIP;12Kohm,5%,1/16W,TP,1005	2	SA
....5		2007-000151	R-CHIP;15Kohm,5%,1/16W,TP,1005	1	SNA
....5		2007-000155	R-CHIP;27Kohm,5%,1/16W,TP,1005	1	SNA
....5		2007-000157	R-CHIP;47Kohm,5%,1/16W,TP,1005	8	SNA
....5		2007-000159	R-CHIP;56Kohm,5%,1/16W,TP,1005	4	SA
....5		2007-000162	R-CHIP;100Kohm,5%,1/16W,TP,1005	9	SNA
....5		2007-000163	R-CHIP;120Kohm,5%,1/16W,TP,1005	1	SA
....5		2007-000165	R-CHIP;200Kohm,5%,1/16W,TP,1005	3	SNA
....5		2007-000168	R-CHIP;470Kohm,5%,1/16W,TP,1005	4	SNA
....5		2007-000171	R-CHIP;0ohm,5%,1/16W,TP,1005	9	SNA
....5		2007-000173	R-CHIP;22ohm,5%,1/16W,TP,1005	60	SNA
....5		2007-000174	R-CHIP;47ohm,5%,1/16W,TP,1005	4	SNA
....5		2007-000219	R-CHIP;1.2Kohm,1%,1/10W,TP,1608	4	SA
....5		2007-000239	R-CHIP;1.5Kohm,1%,1/10W,TP,1608	1	SNA
....5		2007-000309	R-CHIP;10ohm,5%,1/10W,TP,1608	1	SNA
....5		2007-000310	R-CHIP;10ohm,5%,1/2,TP,5025	1	SNA
....5		2007-000312	R-CHIP;10ohm,5%,1/4W,TP,3216	2	SA

Exploded Views and Parts List

Level	Loc.	Part Code	Description & Specification	Qty.	SA/SNA
....5		2007-000336	R-CHIP;120Kohm,1%,1/10W,TP,1608	4	SA
....5		2007-000491	R-CHIP;2.2Kohm,1%,1/10W,TP,1608	5	SA
....5		2007-000496	R-CHIP;2.2Kohm,5%,1/4W,TP,3216	1	SA
....5		2007-000504	R-CHIP;2.2ohm,5%,1/4W,TP,3216	3	SA
....5		2007-000509	R-CHIP;2.4Kohm,1%,1/10W,TP,1608	4	SNA
....5		2007-000512	R-CHIP;2.4Kohm,5%,1/10W,TP,1608	4	SNA
....5		2007-000591	R-CHIP;22ohm,1%,1/10W,TP,1608	6	SNA
....5		2007-000669	R-CHIP;2Kohm,1%,1/10W,TP,1608	17	SA
....5		2007-000683	R-CHIP;3.3Kohm,1%,1/10W,TP,1608	1	SA
....5		2007-000701	R-CHIP;3.6Kohm,1%,1/10W,TP,1608	1	SNA
....5		2007-000763	R-CHIP;330ohm,1%,1/10W,TP,1608	1	SA
....5		2007-000775	R-CHIP;33Kohm,5%,1/16W,TP,1005	2	SA
....5		2007-000779	R-CHIP;33ohm,1%,1/10W,TP,1608	2	SNA
....5		2007-000821	R-CHIP;390ohm,1%,1/10W,TP,1608	1	SNA
....5		2007-000831	R-CHIP;39Kohm,5%,1/16W,TP,1005	2	SA
....5		2007-000842	R-CHIP;3Kohm,1%,1/10W,TP,1608	2	SNA
....5		2007-000869	R-CHIP;4.7Kohm,1%,1/10W,TP,1608	4	SA
....5		2007-000879	R-CHIP;4.7ohm,1%,1/10W,TP,1608	18	SA
....5		2007-000882	R-CHIP;4.7ohm,5%,1/10W,TP,1608	11	SA
....5		2007-000939	R-CHIP;47Kohm,1%,1/10W,TP,1608	5	SNA
....5		2007-000962	R-CHIP;5.1Kohm,1%,1/10W,TP,1608	1	SNA
....5		2007-000982	R-CHIP;5.6Kohm,5%,1/16W,TP,1005	2	SNA
....5		2007-000999	R-CHIP;510ohm,1%,1/10W,TP,1608	1	SA
....5		2007-001038	R-CHIP;56Kohm,1%,1/10W,TP,1608	1	SA
....5		2007-001068	R-CHIP;6.8Kohm,1%,1/10W,TP,1608	1	SA
....5		2007-001139	R-CHIP;7.5Kohm,1%,1/10W,TP,1608	3	SA
....5		2007-001179	R-CHIP;8.2Kohm,5%,1/10W,TP,1608	1	SNA
....5		2007-001284	R-CHIP;4.7ohm,5%,1/16W,TP,1005	11	SNA
....5		2007-001292	R-CHIP;33ohm,5%,1/16W,TP,1005	28	SNA
....5		2007-001298	R-CHIP;51ohm,5%,1/16W,TP,1005	2	SA
....5		2007-001301	R-CHIP;68ohm,5%,1/16W,TP,1005	1	SA
....5		2007-001311	R-CHIP;270ohm,5%,1/16W,TP,1005	1	SA
....5		2007-001313	R-CHIP;330ohm,5%,1/16W,TP,1005	2	SNA
....5		2007-001319	R-CHIP;1.2Kohm,5%,1/16W,TP,1005	2	SA
....5		2007-001323	R-CHIP;3Kohm,5%,1/16W,TP,1005	1	SA
....5		2007-001342	R-CHIP;2Mohm,5%,1/10W,TP,1608	1	SA
....5		2007-002425	R-CHIP;1ohm,5%,1/10W,TP,1608	14	SNA
....5		2007-002768	R-CHIP;6.2Kohm,1%,1/10W,TP,1608	1	SNA
....5		2007-002796	R-CHIP;510ohm,5%,1/16W,TP,1005	6	SNA
....5		2007-002899	R-CHIP;10ohm,1%,1/10W,TP,1608	12	SA

Level	Loc.	Part Code	Description & Specification	Qty.	SA/SNA
....5		2007-007009	R-CHIP;75ohm,5%,1/16W,TP,1005	6	SNA
....5		2007-007065	R-CHIP;10ohm,5%,1W,TP,6432	3	SA
....5		2007-007100	R-CHIP;10Mohm,5%,1/16W,TP,1005	1	SA
....5		2007-007107	R-CHIP;100Kohm,1%,1/16W,TP,1005	1	SA
....5		2007-007132	R-CHIP;15Kohm,1%,1/16W,TP,1005	1	SNA
....5		2007-007133	R-CHIP;300ohm,1%,1/16W,TP,1005	1	SA
....5		2007-007135	R-CHIP;18Kohm,1%,1/16W,TP,1005	1	SNA
....5		2007-007136	R-CHIP;4.7Kohm,1%,1/16W,TP,1005	1	SA
....5		2007-007138	R-CHIP;27Kohm,1%,1/16W,TP,1005	1	SNA
....5		2007-007139	R-CHIP;47Kohm,1%,1/16W,TP,1005	9	SA
....5		2007-007142	R-CHIP;10Kohm,1%,1/16W,TP,1005	12	SA
....5		2007-007156	R-CHIP;1ohm,5%,1/16W,TP,1005	3	SA
....5		2007-007226	R-CHIP;49.9ohm,1%,1/10W,TP,1608	2	SA
....5		2007-007306	R-CHIP;100ohm,1%,1/16W,TP,1005	4	SNA
....5		2007-007317	R-CHIP;2.2Kohm,1%,1/16W,TP,1005	2	SA
....5		2007-007318	R-CHIP;1Kohm,1%,1/16W,TP,1005	9	SNA
....5		2007-007431	R-CHIP;91Kohm,1%,1/10W,TP,1608	1	SA
....5		2007-007491	R-CHIP;11.3Kohm,1%,1/16W,TP,1005	2	SA
....5		2007-007517	R-CHIP;240ohm,1%,1/16W,TP,1005	4	SNA
....5		2007-007617	R-CHIP;2.49Kohm,1%,1/10W,TP,1608	1	SA
....5		2007-007651	R-CHIP;9.1Kohm,1%,1/10W,TP,1608	2	SA
....5		2007-007766	R-CHIP;2Kohm,1%,1/16W,TP,1005	3	SNA
....5		2007-007868	R-CHIP;90.9ohm,1%,1/10W,TP,1608	2	SA
....5		2007-008011	R-CHIP;11.5Kohm,1%,1/10W,TP,1608	2	SA
....5		2007-008293	R-CHIP;475ohm,1%,1/16W,TP,1005	1	SA
....5		2007-008649	R-CHIP;220ohm,1%,1/16W,TP,1005	1	SNA
....5		2007-009753	R-CHIP;52.3Kohm,1%,1/16W,TP,1005	2	SA
....5		2007-010488	R-CHIP;1Mohm,5%,1/16W,TP,1005	1	SA
....5		2007-010849	R-CHIP;60.4ohm,1%,1/16W,TP,1005	28	SNA
....5		2011-001344	R-NETWORK;100ohm,5%,1/16W,L,CHIP,8P,TP,2	8	SA
....5		2011-001345	R-NETWORK;10Kohm,5%,1/16W,L,CHIP,8P,TP,2	1	SA
....5		2011-001396	R-NETWORK;4.7Kohm,5%,1/16W,L,CHIP,8P,TP,	1	SA
....5		2011-001474	R-NETWORK;47ohm,5%,1/16W,L,CHIP,8P,TP,2.	5	SA
....5		2011-001527	R-NETWORK;4.7Kohm,5%,1/16W,L,CHIP,4P,TP,	1	SA
....5	AD480	2203-000233	C-CER,CHIP;0.1nF,5%,50V,C0G,TP,1005	9	SNA
....5	AD480	2203-000254	C-CER,CHIP;10nF,10%,16V,X7R,TP,1005	1	SA
....5	AD480	2203-000257	C-CER,CHIP;10nF,10%,50V,X7R,TP,1608	5	SA
....5	AD480	2203-000278	C-CER,CHIP;0.01nF,0.5pF,50V,C0G,TP,1005	1	SA
....5	AD480	2203-000311	C-CER,CHIP;0.12nF,5%,50V,C0G,TP,1005	3	SA
....5	AD480	2203-000330	C-CER,CHIP;0.012nF,5%,50V,C0G,TP,1005	9	SA

Exploded Views and Parts List

Level	Loc.	Part Code	Description & Specification	Qty.	SA/SNA
....5	AD480	2203-000440	C-CER,CHIP;1nF,10%,50V,X7R,TP,1608	6	SNA
....5	AD480	2203-000455	C-CER,CHIP;1nF,5%,50V,C0G,2012	4	SNA
....5	AD480	2203-000489	C-CER,CHIP;2.2nF,10%,50V,X7R,TP,1005	2	SNA
....5	AD480	2203-000491	C-CER,CHIP;2.2nF,10%,50V,X7R,TP,1608	7	SNA
....5	AD480	2203-000585	C-CER,CHIP;0.22nF,10%,50V,X7R,TP,1005	1	SNA
....5	AD480	2203-000626	C-CER,CHIP;0.022nF,5%,50V,C0G,TP,1608	2	SNA
....5	AD480	2203-000627	C-CER,CHIP;0.022nF,5%,50V,C0G,TP,1005	6	SNA
....5	AD480	2203-000679	C-CER,CHIP;0.027nF,5%,50V,C0G,TP,1005	2	SA
....5	AD480	2203-000726	C-CER,CHIP;3.9nF,10%,50V,X7R,TP,1608	2	SA
....5	AD480	2203-000783	C-CER,CHIP;0.33nF,5%,50V,C0G,TP,1608	4	SNA
....5	AD480	2203-000812	C-CER,CHIP;0.033nF,5%,50V,C0G,TP,1005	9	SNA
....5	AD480	2203-000888	C-CER,CHIP;4.7nF,10%,50V,X7R,TP,1608	4	SNA
....5	AD480	2203-000975	C-CER,CHIP;47nF,10%,25V,X7R,TP,1608	1	SNA
....5	AD480	2203-000979	C-CER,CHIP;47nF,10%,50V,X7R,TP,2012	1	SA
....5	AD480	2203-001126	C-CER,CHIP;0.68nF,10%,50V,X7R,TP,1608	2	SNA
....5	AD480	2203-001656	C-CER,CHIP;0.47nF,5%,50V,NP0,TP,1608	2	SNA
....5	AD480	2203-002050	C-CER,CHIP;47nF,10%,50V,X7R,TP,1608	2	SA
....5	AD480	2203-002285	C-CER,CHIP;10nF,10%,50V,X7R,TP,1005	2	SNA
....5	AD480	2203-002711	C-CER,CHIP;100nF,10%,25V,X7R,TP,1608	12	SA
....5	AD480	2203-002720	C-CER,CHIP;10nF,10%,25V,X7R,TP,1005,0.5T	6	SNA
....5	AD480	2203-003039	C-CER,CHIP;0.008nF,0.25pF,50V,C0G,TP,100	2	SNA
....5	AD480	2203-005083	C-CER,CHIP;220nF,10%,50V,X7R,TP,1608,0.8	21	SA
....5	AD480	2203-005249	C-CER,CHIP;100nF,10%,50V,X7R,TP,1608	70	SNA
....5	AD480	2203-005344	C-CER,CHIP;22nF,10%,25V,X7R,TP,1005,0.5T	6	SNA
....5	AD480	2203-005565	C-CER,CHIP;1nF,5%,50V,C0G,TP,1608	4	SA
....5	AD480	2203-005968	C-CER,CHIP;4.7nF,10%,50V,X7R,TP,1005,0.5	1	SNA
....5	AD480	2203-006048	C-CER,CHIP;100nF,10%,10V,X7R,TP,1005	257	SA
....5	AD480	2203-006141	C-CER,CHIP;1000nF,10%,16V,X5R,TP,1608,0.	3	SNA
....5	AD480	2203-006158	C-CER,CHIP;100nF,10%,16V,X7R,TP,1005,0.5	27	SA
....5	AD480	2203-006170	C-CER,CHIP;220nF,10%,16V,X7R,TP,1608	1	SNA
....5	AD480	2203-006257	C-CER,CHIP;470nF,10%,6.3V,X5R,TP,1005,0.	2	SNA
....5	AD480	2203-006260	C-CER,CHIP;220nF,10%,10V,X5R,TP,1005,-	6	SNA
....5	AD480	2203-006320	C-CER,CHIP;2200nF,10%,16V,X7R,TP,2012	4	SNA
....5	AD480	2203-006348	C-CER,CHIP;1000nF,10%,25V,X5R,TP,1608,0.	1	SA
....5	AD480	2203-006361	C-CER,CHIP;10000nF,10%,10V,X5R,TP,2012	43	SC
....5	AD480	2203-006391	C-CER,CHIP;1000nF,10%,10V,X7R,TP,1608	1	SNA
....5	AD480	2203-006399	C-CER,CHIP;1000nF,10%,6.3V,X5R,TP,1005	8	SA
....5	AD480	2203-006474	C-CER,CHIP;22000nF,20%,6.3V,X5R,TP,2012	6	SA
....5	AD480	2203-006562	C-CER,CHIP;1000nF,10%,10V,X5R,TP,1005	20	SNA
....5	AD480	2203-006698	C-CER,CHIP;1000nF,10%,25V,X7R,TP,1608,0.	19	SA

Level	Loc.	Part Code	Description & Specification	Qty.	SA/SNA
....5	AD480	2203-006824	C-CER,CHIP;4700nF,10%,10V,X5R,TP,1608,-	1	SNA
....5	AD480	2203-006838	C-CER,CHIP;2200nF,10%,6.3V,X5R,TP,1005	1	SA
....5	AD480	2203-006890	C-CER,CHIP;10000nF,20%,6.3V,X5R,TP,1608	7	SNA
....5	AD480	2203-006960	C-CER,CHIP;1000nF,10%,50V,X7R,TP,2012	4	SNA
....5	AD480	2203-007176	C-CER,CHIP;10000nF,10%,16V,X5R,TP,2012,1	6	SNA
....5	AD480	2203-007230	C-CER,CHIP;47000nF,20%,6.3V,X5R,TP,2012,	8	SNA
....5	AD480	2203-007240	C-CER,CHIP;22000nF,20%,6.3V,X5R,TP,1608,	21	SA
....5	AD480	2203-007270	C-CER,CHIP;10000nF,10%,10V,X5R,TP,1608,0	5	SNA
....5	AD480	2203-007306	C-CER,CHIP;10000nF,10%,25V,X5R,TP,2012,1	17	SNA
....5	AD480	2203-007370	C-CER,CHIP;10000nF,10%,10V,X7R,TP,2012	7	SA
....5	AD480	2203-007462	C-CER,CHIP;10000nF,10%,16V,X7R,TP,2012	6	SNA
....5	AD480	2203-007513	C-CER,CHIP;10000nF,10%,10V,X5R,TP,1608,0	37	SA
....5	AD480	2203-007535	C-CER,CHIP;4.7nF,10%,50V,X7R,TP,1005	1	SA
....5	AD480	2203-007544	C-CER,CHIP;100nF,10%,50V,X7R,TP,1005	1	SA
....5	AD480	2203-007581	C-CER,CHIP;0.1nF,5%,50V,C0G,TP,1608	8	SA
....5	AD480	2203-008096	C-CER,CHIP;2200nF,10%,50V,X5R,TP,2012,1.	6	SA
....5		2402-001081	C-AL,SMD;100uF,20%,25V,WT,TP,8.3x8.3x10	1	SA
....5		2402-001178	C-AL,SMD;10uF,20%,16V,WT,TP,4.3x4.3x5.8m	10	SA
....5		2402-001184	C-AL,SMD;47UF,20%,16V,WT,TP,6.6X6.6X6MM	1	SA
....5		2402-001185	C-AL,SMD;2.2UF,20%,50V,WT,TP,4.3X4.3X6MM	1	SA
....5		2402-001218	C-AL,SMD;22UF,20%,35V,WT,TP,6.6X6.6X5.8M	1	SA
....5		2402-001237	C-AL,SMD;330uF,20%,6.3V,-,TP,6.3x7.7mm	1	SA
....5		2402-001314	C-AL,SMD;100uF,20%,16V,WT,TP,6x5.8mm	1	SA
....5		2703-000166	INDUCTOR-SMD;2.7uH,5%,3225,1.1ohm,290mA,	1	SA
....5		2703-000175	INDUCTOR-SMD;270nH,10%,1608,.8Ohm,50mA,1	1	SA
....5		2703-003149	INDUCTOR-SMD;2.2uH,20%,5050,0.055Ohm,300	1	SA
....5		2703-003754	INDUCTOR-SMD;1uH,20%,1608,0.24Ohm,950mA,	9	SNA
....5		2703-003768	INDUCTOR-SMD;330uH,20%,6060,2.736ohm,270	1	SNA
....5		2703-003790	INDUCTOR-SMD;4.7uH,20%,8080,0.025ohm,450	2	SA
....5		2703-003937	INDUCTOR-SMD;1uH,20%,7.0x6.47x3.0mm,0.00	2	SA
....5		2801-003843	CRYSTAL-SMD;18.432MHz,30ppm,SMD,20pF,50o	1	SA
....5		2801-003856	CRYSTAL-SMD;0.032768MHz,20ppm,28-ACP,7pF	1	SNA
....5		2801-004284	CRYSTAL-SMD;27MHz,10ppm,28-AAN,20pF,30oh	1	SA
....5		2801-004371	CRYSTAL-SMD;12.288MHz,50ppm,SX-1,18pF,50	1	SNA
....5		2801-004734	CRYSTAL-SMD;25.000000MHz,20ppm,28-AAN,12	3	SA
....5		2801-004938	CRYSTAL-SMD;24.000000MHz,20ppm,SMD,12pF,	1	SNA
....5		2901-001302	FILTER-EMI SMD;20V,0.3A,0pF,2.0x1.2x1.3m	2	SNA
....5		3002-001173	BUZZER-MAGNETIC;90dB,3.6,100,2.7KHz,TP	1	SA
....5		3301-001404	BEAD-SMD;30ohm,2012,TP,15.9OHM/30MHz,-	63	SA
....5		3301-002039	BEAD-SMD;26ohm,1608,TP	21	SA

Exploded Views and Parts List

Level	Loc.	Part Code	Description & Specification	Qty.	SA/SNA
....5		3701-001792	CONNECTOR-HDMI;19P,2ROW,FEMALE,ANGLE,AU	3	SA
....5		3708-001837	CONNECTOR-FPC/FFC/PIC;15P,1mm,SMD-S,SN,N	1	SA
....5		3708-001925	CONNECTOR-FPC/FFC/PIC;7p,1mm,SMD-S,SnPd,	1	SNA
....5		3708-002140	CONNECTOR-FPC/FFC/PIC;5P,1mm,SMD-S,SnPb,	2	SNA
....5		3708-002603	CONNECTOR-FPC/FFC/PIC;22P,1mm,SMD-S,SN,N	1	SNA
....5		3708-002679	CONNECTOR-FPC/FFC/PIC;10P,1mm,SMD-S,SN,Z	1	SNA
....5		3708-003125	CONNECTOR-FPC/FFC/PIC;45P,0.5mm,SMD-S,AU	1	SA
....5		3710-003381	SOCKET-BOARD TO BOARD;24P,2R,2mm,AU,BLK	1	SA
....5	EH01	3711-006043	HEADER-BOARD TO CABLE;BOX,4P,1R,2mm,SMD-	1	SA
....5	EH01	3711-008101	HEADER-BOARD TO CABLE;BOX,4P,1R,1.25mm,S	2	SA
....5	EH01	3711-008112	HEADER-BOARD TO CABLE;BOX,10P,1R,1.25mm,	1	SNA
....5		6302-001231	GASKET;Polyimide + Cu + Sn,4.5,GRAY,SMR-	5	SNA
....5		6302-001298	GASKET;IDSMT-W-4.5-5-6-H,6.0mm	1	SNA
....5		AH41-01615A	PCB MAIN;HT-F9750W,FR-4,4,00,1.6T,190 *	1	SNA
....5		AH97-10675A	ASSY MICOM;HL-F5500-0024.0,2013.03.28,AH	1	SNA
....6		0903-001813	IC-MICROCONTROLLER;SC7501,LQFP(NON-EPAD)	1	SNA
....5		AH97-11414A	ASSY MICOM-NANDFLASH;HTB-F6500WWB-1007.7	1	SNA
....6		1107-002204	IC-FLASH MEMORY;MTFC2GMVEA-0M WT,2GByte,	1	SNA
....5		AH97-11415A	ASSY MICOM-HDMI REPEATER;HTB-F6500WWH_00	1	SNA
....6		1205-004717	IC-REPEATER;EP92A2S4,LQFP,128Z30,14x14mm	1	SNA
....5		AH97-11416A	ASSY MICOM;HTB-F6500WWM-1006.4,2013.03.2	1	SNA
....6		0903-001848	IC-MICROCONTROLLER;R5F100PGAFB,LQFP,100Z	1	SNA
...4		AK62-00046A	HEAT SINK-ES;HT-D7500,A6063,NTR,82.5*14*	1	SNA
...4	T0066	BN62-00040A	HEAT SINK-ES;SAPPHIRE,A6063,T2.0,36*36*6	1	SNA
...4		BN62-00099A	HEAT SINK-ES;LH46LBTLCB/ZA,A6063,20*20*1	1	SNA
...3	B001A	AH96-02598D	ASSY COVER P-BOTTOM;HT-FS9200,BLACK,BHF9	1	SNA
...4	SCREW	6003-000275	SCREW-TAPTYPE;BH,+,B,M3,L10,ZPC(BLK),SWR	2	SA
...4		AH63-03072A	COVER-SIDE-BOTTOM;HT-F9750W,ABS,G6757,HF	2	SNA
...4	RB01	AH63-03074D	COVER-BOTTOM;HT-F9200,EGI-SECC,0.6T,ZF/X	1	SNA
...4		AH63-03333A	SHEET-ESD-SIDE;HT-F9750W,PET,0.3,CLEAR	2	SNA
...4		AH63-03374A	SHEET-ESD-IC;HT-F9750W,PC*,0.15,18,15,CL	1	SNA
...4		AK67-00175A	RUBBER-FOOT;BD-E5400,Silicon,11pi,T2.8,R	2	SNA
...3	NW01	BN59-01161A	NETWORK;WIDT-30Q,Internal WiFi,USB,IEEE8	1	SA
1		AH91-00602B	ASSY SHIELD;HT-F8750W,BHF8	1	SNA
.2		0203-000007	TAPE-FILAMENT;T0.15,L55M,TRP,FILAMENT	0	SNA
.2	SCREW	6003-000275	SCREW-TAPTYPE;BH,+,B,M3,L10,ZPC(BLK),SWR	5	SA
.2	SCREW	6003-001561	SCREW-TAPTYPE;BH,+,-,B,M3,L6,ZPC(WHT),SW	11	SA
.2	EC13	AH39-01232A	LEAD CONNECTOR;HT-F6750W,Lead Connector,	1	SA
.2	EC13	AH39-01233A	LEAD CONNECTOR;HT-F6750W,Lead Connector,	1	SA
.2	P001A	AH44-00303A	DC VSS-AV HTS SMPS;V300LE_DSM,V300LE_DSM	1	SA



Level	Loc.	Part Code	Description & Specification	Qty.	SA/SNA
.2	CW001	AH65-30010A	CLAMP-WIRE;- ,NYLON,-,-,BLK,-	1	SNA
.2		AH94-03169A	ASSY PCB JACK-USB;HT-F9750W,HTS,FR-4,USB	1	SNA
..3		0202-001608	SOLDER-WIRE FLUX;LFC7-107,D0.8,99.3Sn/0.	0	SNA
..3		0202-001768	SOLDER-BAR;HSE-16,S60S-20,D3,SN/0.5CU/0.	0	SNA
..3		0204-002514	THINNER;TS4500,OXIGEN,NO,13.15KG,14KG/BO	1	SNA
..3		0204-002606	FLUX;LF-715K,OXIGEN,NO,16000L,14%,16kg,G	0	SNA
..3		3722-002868	JACK-USB;4P1C,BLK,ANGLE	1	SA
..3		AH97-11448A	ASSY SMD-USB;HT-F9750,HTS,ASSY SMD,USB,2	1	SNA
...4		0202-001899	SOLDER-CREAM;M705-GRN360-K2-VT,25-36um,S	0	SNA
...4		0406-001395	DIODE-TVS;AOZ8802ADI,6/-V,DFN-6	1	SA
...4		1405-001306	VARISTOR;11Vdc,45A,0603,TP,50V	1	SA
...4	AD480	2203-006158	C-CER,CHIP;100nF,10%,16V,X7R,TP,1005,0.5	3	SA
...4	AD480	2203-007513	C-CER,CHIP;10000nF,10%,10V,X5R,TP,1608,0	1	SA
...4		2402-000008	C-AL,SMD;47uF,20,16V,GP,TP,6.6x6.6x5.4	1	SNA
...4		3711-008081	CONNECTOR-HEADER;BOX,5P,1R,1.25mm,SMD-S,	1	SNA
...4		AH41-01618A	PCB SUB-USB;HT-F8730,FR-4,2,00,1.2 T,23*	1	SNA
.2	BT	AH96-02298A	ASSY BOARD P-RF-MODULE;Bluetooth Module,	1	SA
.2	SHG01	AK63-00599A	SHEET-GASKET;BD-S4,PE BRIC,0.1,10,10,NTR	1	SNA
.2	M0909	BN63-02969A	GASKET;GASKET EMI,Polyurethane Sponge+Po	1	SNA
.2		GL63-00005A	SHIELD-EMI GASKET SMT-H7011;SMT-H7011,CO	1	SNA
1		AH92-04256C	ASSY LABEL;HT-E8750W,BHF8	1	SNA
.2		AH68-02592A	LABEL-POP STAND;HT-FS9200,ZF,ART PAPER*,	1	SNA
.2		AK68-02233C	LABEL RATING;BD-E,XS,KR,RU,ZW,ART PAPER,	1	SNA
1	ACCE1	AH92-04283E	ASSY ACCESSORY;HT-F8750W,BHF8	1	SNA
.2	REMO2	AH59-02569A	REMOCON;TM1271,51,3.0V,HT-F9750W, EU	1	SA
.2		AH96-02290E	ASSY ACCESSORY-MANUAL/CABLE;HT-F8750W,BH	1	SNA
..3		AH68-02624B	MANUAL USERS;HT-FS9200,ZF,FR/IT/SPA/POR,	1	SNA
..3		AK68-01811H	LEAFLET-05,WARRANTY CARD;comm,Samsung,La	1	SNA
..3	M9889	BN63-02368B	CLOTH-CLEAN;CLOTH,120,160,sea blue,ToC	1	SNA
.2	SW01A	AH96-02403A	ASSY SPEAKER P-SUBWOOFER;3ohm,FW5-1,Worl	1	SA
..3		AH69-03862A	CUSHION-WOOFER(FW5);AV SPK, FW5,EPS,HT-F	2	SNA
..3		AH82-00702A	A/S ASSY-SUBWOOFER;PS-FW5-1,World Wide,S	1	SNA
...4		AH81-07113A	SPEAKER-PE-BAG-8;PE-BAG,FOR DW1, DW2	1	SNA
...4		AH81-07860A	LABEL-SPEAKER LABEL;AV SPK,LABEL,PS-FW5-	1	SNA
...4		AH82-00694A	A/S ASSY-SUBWOOFER;PS-FW5,World Wide,BAS	1	SNA
....5		6002-001294	SCREW-TAPPING;BH,+ ,M4,L16,ZPC(BLK)	12	SA
....5	SCREW	6003-000282	SCREW-TAPTYPE;BH,+,-,B,M3,L8,ZPC(BLK),SW	3	SA
....5		AH59-02520A	SPEAKER SYSTEM-WOOFER;AV SPK,2000Hz,165m	2	SNA
....5		AH63-03222A	COVER-SIDE COVER;FW5,ABS+PMMA,351.2,391.	1	SNA
....5		AH63-03234A	COVER-DUCT-FRONT;FW5,ABS+PMMA,90*60,BLAC	1	SNA

Level	Loc.	Part Code	Description & Specification	Qty.	SA/SNA
....5		AH64-05760A	BADGE-BRAND;AV SPK PS-WS1,NI,0.05,35,SIL	1	SNA
....5		AH81-07366A	SPEAKER-TRIANGLE BOARD;TRIANGLE BOARD,9t	5	SNA
....5		AH81-07377A	BOND-WOOD;AV SPK,Wood Bond,Subwoofer,Com	40	SNA
....5		AH81-07378A	BOND-PVC;AV SPK,PVC Bond,Subwoofer,Commo	25	SNA
....5		AH81-07379A	BOND-HOT MELT;AV SPK,Hot Melt,Subwoofer,	25	SNA
....5		AH81-07515A	A/S PART-SPEAKER FOOT;FOOT_SW,SILICON,RO	4	SNA
....5		AH81-07926A	SPEAKER-ENCLOSURE BOARD;Enclosure Board,	1	SNA
....5		AH81-07927A	SPEAKER-SIDE BOARD LEFT;SIDE BOARD LEFT	1	SNA
....5		AH81-07928A	SPEAKER-SIDE BOARD RIGHT;SIDE BOARD RIGH	1	SNA
....5		AH81-07934A	SPEAKER-FRAME NET+JERSEY;AV SPK,FOR Subw	2	SNA
....6		AH61-03670A	FRAME-FRAME-NET;FW5,HIPS,352,392	2	SNA
....6		AH64-05748A	NET-JERSEY(FW5);FW5,JERSEY,0.5T,400,500	2	SNA
....5		AH81-08233A	SPEAKER-EVA;AV SPK,SUBWOOFER,EVA,FW5,DIA	1	SNA
....5		AH81-08234A	SPEAKER-EPS DUCT;EPS DUCT,SUBWOOFER,PS-F	1	SNA
....5		AH81-08235A	SPEAKER-PAPER DUCT;PAPER DUCT,SUBWOOFER,	1	SNA
....5		AH81-08242A	SPEAKER-TERMINAL+WIRE;TERMINAL+WIRE,SUBW	1	SNA
....6		AH81-07947A	SPEAKER-TERMINAL;AV SPK,TERMINAL,40mm,	1	SNA
....6		AH81-07949A	SPEAKER-IN-WIRE;AV SPK,SPEAKER IN-WIRE,2	2	SNA
.2		AH96-02428A	ASSY SPEAKER P-SATELLITE;3ohm,HT-FS9200,	1	SNA
...3		AH69-03877A	CUSHION-SPEAKER;AV SPK, FHT2-1,EPS,HT-FS	2	SNA
...3		AH81-07451A	SPEAKER-PE-BAG;PE-BAG,AV SPK,for TALLBOY	1	SNA
...3		AH81-07730A	SPEAKER-SCREW;2.5*5BB/SILVER D:6.5,for P	6	SA
...3		AH82-00553A	A/S ASSY-PS-ES7-1 FRONT SPEAKER;AV SPK,F	2	SA
...4		AH81-07587A	SPEAKER-PE-BAG;PE-BAG,AV SPK,ES7-1,for S	2	SNA
...4		AH82-00554A	A/S ASSY-STYLISH SPEAKER;AV SPK,FOR HT-E	2	SNA
....5		AH59-02477A	SPEAKER SYSTEM-WOOFER;AV SPK,ES7-1,200Hz	8	SNA
....5		AH59-02478A	SPEAKER SYSTEM-TWEETER;AV SPK,ES7-1,2000	2	SNA
....5	R001	AH63-02797A	COVER-REAR;AV SPK, PS-ES8200,HIPS,3.0,41	2	SNA
....5	F001	AH63-02798A	COVER-FRONT;AV SPK, PS-ES8200,HIPS,3.0,4	2	SNA
....5		AH63-02799A	COVER-HOLDER-TOP;AV SPK, PS-ES8200,HIPS,	2	SNA
....5	T001	AH63-02800A	COVER-TOP;AV SPK, PS-ES8200,HIPS,2.5,49.	2	SNA
....5		AH63-02801A	COVER-HOLDER-BTM;AV SPK, PS-ES8200,HIPS,	2	SNA
....5		AH63-02802A	COVER-BTM;AV SPK, PS-ES8200,HIPS,2.5T,49	2	SNA
....5	AC170	AH63-02804A	COVER-AL;AV SPK, PS-ES8200,HIPS,1.8T,46.	2	SNA
....5	FG01	AH63-02806A	COVER-GRILLE;AV SPK, PS-ES8200,ABS,0.5T,	2	SNA
....5		AH81-07339B	SPEAKER-EVA;AV SPK,FOR Tallboy,EVA,300*1	8	SNA
....5		AH81-07446D	SPEAKER-SPONGE;AV SPK,35*35*20T	2	SNA
....5		AH81-07584A	SPEAKER-PAPER DUCT;PS-ES7-1,PAPER Duct,P	2	SNA
....5		AH81-07585A	SPEAKER-EVA;AV SPK,FOR Tallboy,EVA,430*8	6	SNA
....5		AH81-07754A	SPEAKER-EVA;AV SPK,FOR Tallboy,EVA woofe	8	SNA

Level	Loc.	Part Code	Description & Specification	Qty.	SA/SNA
....5		AH81-07755A	SPEAKER-EVA;AV SPK,FOR Tallboy,EVA PCB,1	2	SNA
....5		AH81-07756A	SPEAKER-SCREW;2.6*9BB/BLACK,for PS-ES7,B	76	SNA
....5		AH82-00556A	A/S ASSY-STYLISH SPEAKER NETWORK;AV SPK,	2	SNA
....6		AH81-07423E	SPEAKER-NETWORK COIL;AV SPK,Network Coil	2	SNA
....6		AH81-07435A	SPEAKER-NETWORK CONDENSER;AV SPK,Network	2	SNA
....6		AH81-07446A	SPEAKER-SPONGE;AV SPK,650x 25 x 3T	2	SNA
....6		AH81-07586A	SPEAKER-CABLE;AV SPK,#24 + WF330+TW460mm	2	SNA
....6		AH81-07629B	SPEAKER-PCB NETWORK;AV SPK,PCB Network,E	2	SNA
....6		AH81-07776A	SPEAKER-EVA;AV SPK,FOR Tallboy,EVA-pcb t	2	SNA
..3		AH82-00681A	A/S ASSY-SPEAKER CABLE;12M,#24,ALL,BASIC	1	SNA
..4	SWFR4	AH81-05321A	SPEAKER-WIRE-FRONT RIGHT;PS-X725,4M*2PIN	1	SA
..4	SWFL4	AH81-05322A	SPEAKER-WIRE-FRONT LEFT;PS-X725,4M*2PIN	1	SA
..4		AH81-07426A	SPEAKER-PE-BAG;PE-BAG,With 5.1ch Cable,1	1	SNA
..4	SWSW	AH81-07802A	SPEAKER-CABLE;AV SPK,Subwoofer,Purple,4M	1	SA
.2	ACCE2	AH96-02668E	ASSY ACCESSORY-CABLE;HT-FS9200	1	SNA
..3		3301-000144	CORE-FERRITE;34.5x12.5x32.5mm,1500,2800G	2	SNA
..3	T0268	3903-000525	CBF-POWER CORD;DT,CEE,LP-21L,250V,2.5A,B	1	SA
..3		4301-000116	BATTERY-ALKALINE;1.5V,R03,10.5x44.5mm,AA	2	SNA
..3		6902-000287	BAG PE;LDPE,T0.05,W100,L120,TRP,0.000688	2	SNA
..3	M0025	AH42-00021A	ANT FM T;T18011F-1,75 ohm,1800mm	1	SA
..3		AH63-02236D	SHEET-PEBAG;ALL MODEL,PE*,0.2,CLEAR	1	SNA
..3		AH68-50254B	LABEL-SERIAL;-,-,TETRON,T0.1,W42,L10,-,-	1	SNA
1		AH92-04287E	ASSY BOX;HT-F8750W,BHF8	1	SNA
.2		AH68-01981M	LABEL-BOX;ALL MODEL,ALL BUYER,heat sensi	1	SNA
.2		AH68-02519A	LABEL-BD PRODUCT;HT-E5500/ZA,SEA,PAPER,W	1	SNA
.2		AH69-04013A	BOX-SET;HT-FS9200,CB,A-01,DW2,W1142,D402	2	SNA
1		AH92-04291B	ASSY P/MATERIAL;HT-F8200,BHF8	1	SNA
.2		0203-001100	TAPE-OPP MASKING;OPP/W75/CLR,T0.075,W75,	3	SNA
.2		AH63-01301D	SHEET-SET;MM-C330,HDPE+NITRON,0.52,W630,	1	SNA
.2		AH63-02520A	SHEET-PALLET;ALL MODEL,pE,0.2,NTR	1	SNA
.2		AH69-02175E	PALLET-ANGLE;HT-X715SKD,WOOD,60,2000,60,	1	SNA
.2		AH69-03100K	PALLET-PAD;HT-C9950,PAPER,1600,720,120	1	SNA
.2		AH69-03100R	PALLET-SET;HT-C9950,WOOD,1130,840,689	1	SNA
.2		AH69-03395G	PAD CUSHION;HT-FS9200,EPS,T130,W400,D140	1	SNA
.2		AH69-03900A	CUSHION-SET;HT-F9750W,EPS,16.7g/l	1	SNA