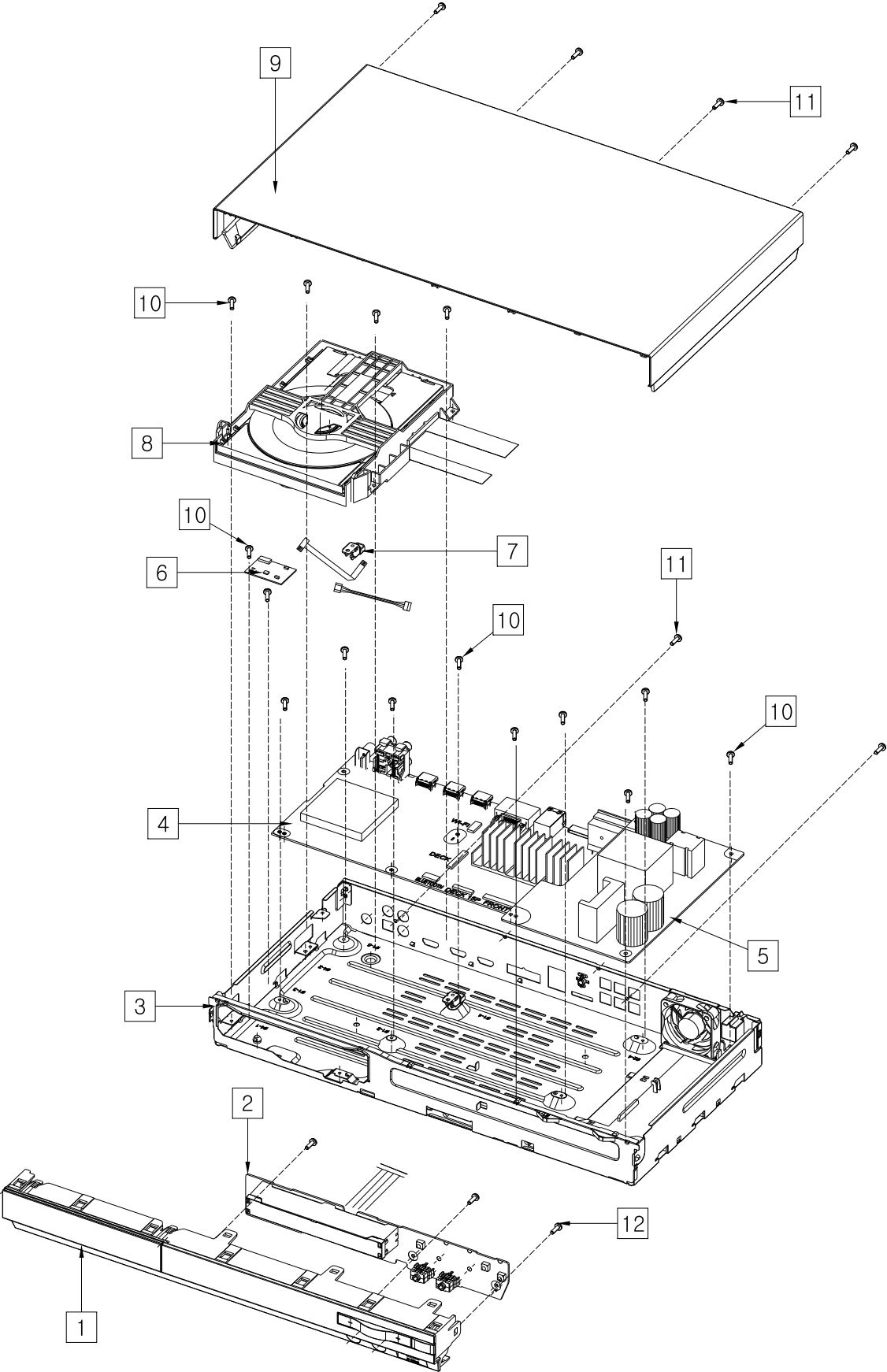


# 1. HT-E5500/EN (QF04)

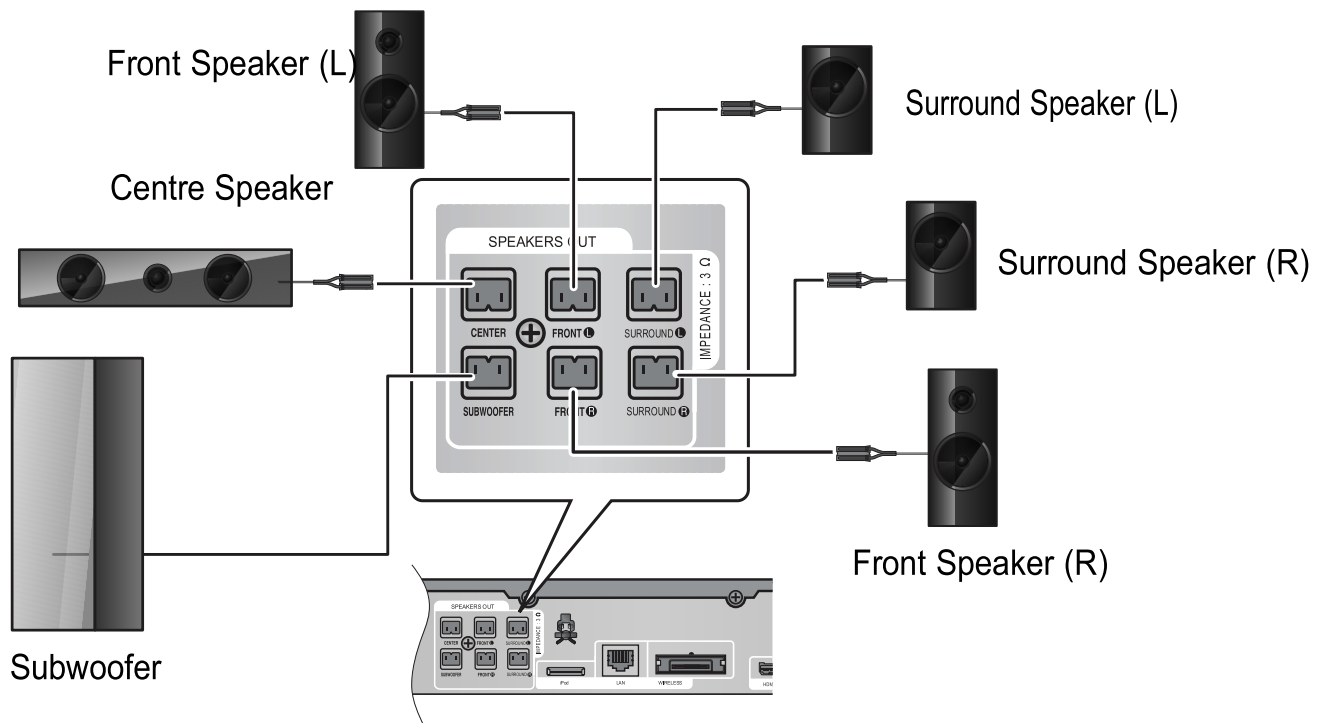
## Exploded View



## Parts List

No.	Parent	Lvl.	Loc.	Material Code	Description & Specification	SNA	Qty.
1	AH90-00914B	2	F001A	AH96-01605B	ASSY COVER P-FRONT; HT-E5500,W/W,PC,BLACK	SA	1
2	AH96-01605B	3		AH94-02843A	ASSY PCB FRONT-PBA; HT-E5500 ZA ZC ZF,NO	SA	1
3	AH90-00915G	2	B001A	AH96-01606Q	ASSY COVER P-BOTTOM; HT-E5300/5500,SECC,7	SNA	1
4	AH91-00419F	2	M0014	AH94-02842N	ASSY PCB MAIN-PBA; HT-E5500,Europe	SA	1
5	AH91-00471D	2	P001A	AH94-02839A	ASSY PCB SMPS-PBA; HT-E3500E4500E5500,ZF	SA	1
6	AH91-00471D	2		AK59-00138A	NETWORK-WLAN MODULE; DNUB-S234B,BCM43234B	SA	1
7	AH91-00471D	2	SNA	AH61-03366A	BRACKET-DECK; HT-E5500,EGI-SECC,T1.0	SNA	1
8	AH90-00913B	2	DECK	AH96-01628B	ASSY DECK P-HTS PLAYER; BD-P8,Insouring,S	SA	1
9	AH91-00471D	2	T001A	AH96-01607B	ASSY COVER P-TOP; HT-E5500,W/W,ABS+PMMA,B	SA	1
10	AH91-00471D	2	W275	6003-001561	SCREW-TAPTYPE; BH,+,-,B,M3,L6,ZPC(WHT),SW	SA	16
11	AH82-00319A	5	W391	6003-000275	SCREW-TAPTYPE; BH,+,-,B,M3,L10,ZPC(BLK),SWR	SA	7
12	AH96-01605B	3	W390	6003-000276	SCREW-TAPTYPE; BH,+,-,B,M3,L10,ZPC(WHT),S	SA	3

## 2. Speaker System



### Parts List

Loc. No.	Part No.	Description;Specification	Qty.	SNA
Subwoofer	AH96-01629A	ASSY SPEAKER P-SUBWOOFER; 3ohm,HT-E5500,EW2-1,Subwoofer	1	SA
Front Speaker (L)	AH82-00312A	A/S ASSY-SATELLITE; AV SPK,FOR HT-E5500,Front L	1	SA
Front Speaker (R)	AH82-00314A	A/S ASSY-SATELLITE; AV SPK,FOR HT-E5500,Front R	1	SA
Center Speaker	AH82-00316A	A/S ASSY-SATELLITE; AV SPK,FOR HT-E5500,Center	1	SA
Surround Speaker (L)	AH82-00318A	A/S ASSY-SATELLITE; AV SPK,FOR HT-E5500,Rear L	1	SA
Surround Speaker (R)	AH82-00320A	A/S ASSY-SATELLITE; AV SPK,FOR HT-E5500,Rear R	1	SA
Speaker Wire	AH82-00332H	A/S ASSY-SPEAKER CABLE; AV SPK,Speaker Cable,ET4	1	SA

### 3. Electrical Parts List

Level	Loc.	Part Code	Description & Specification	Qty.	SA/SNA
			<b>HT-E5500/EN (QF04)</b>		
1		AH90-00913B	ASSY DECK-HTS PLAYER;BD-P8,Insourcing,SE	1	SNA
2	DECK	AH96-01628B	ASSY DECK P-HTS PLAYER;BD-P8,Insouring,S	1	SA
...3	W012	6002-001086	SCREW-TAPPING;PH,+,B,M1.7,L5.0,ZPC(WHT),	1	SA
...3	SCREW	6003-001795	SCREW-TAPTYPE;PWH,B,M2,L6,ZPC(WHT),SWCH1	4	SNA
...3		AH96-01664A	ASSY DECK P-TRAVERSE;BD-P8	1	SNA
...4	W377	6001-001291	SCREW-MACHINE;CH,+,M1.7,L4,ZPC(BLK),SWRC	2	SA
...4	W385	6003-000109	SCREW-TAPTYPE;BH,+,B,M2.6,L8,ZPC(BLK),SW	1	SA
...4	SNA	AK31-00058A	MOTOR STEP-FEED;BD-P8	1	SNA
...4		AK31-00059A	MOTOR BLDC-SPINDLE;6000,BD-P8,6000	1	SNA
...4	SNA	AK61-01253A	BRACKET-DECK;BD-P8,ABS	1	SNA
...4	S.N.A	AK66-00050A	SHAFT-PU L98;BD-P,SUS420J2,L98,OD3,NTR,M	1	SNA
...4		AK73-00092A	RUBBER-DAMPER;BD-P7,BUTYL	4	SNA
...3		AH96-01665A	ASSY DECK P-HOUSING;BD-P8	1	SNA
...4	W011	6001-001370	SCREW-MACHINE;CH,+,M1.7,L3,ZPC(YEL),SWRC	1	SA
...4	S0F0122	6003-001444	SCREW-TAPTYPE;BH,+,B,M2,L4,ZPC(BLK)	1	SNA
...4	BTR01	6602-001076	BELT-RECTANGULAR;CR,T1.2,4.3%,1.2X25.1,B	1	SNA
...4	SNA	AK31-00043B	MOTOR DC-LOADING;JQ24-35H440,5000,0.392,	1	SNA
...4	CF02	AK61-01246A	FRAME-MAIN;BD-P8,ABS	1	SNA
...4	DS02	AK61-01247A	SLIDER-CAM;BD-P8,POM	1	SNA
...4	FT01	AK63-00873A	TRAY-DISC;BD-P8,ABS	1	SNA
...4	T001	AK63-00929A	COVER-TOP;BD-P8,PP,0.25,149,30,10	1	SNA
...4		AK63-00936A	HIMERON-SHEET;BD-P8C,SHEET,0.25,13,40	3	SNA
...4	CC03	AK64-02550A	CHASSIS-SUB;BD-P8,ABS	1	SNA
...4	SNA	AK66-00167A	PULLEY-MOTOR;BD-P6,POM K700,BLK	1	SNA
...4	DG06	AK66-00254A	GEAR-PULLEY;BD-P8,POM,NTR	1	SNA
...4	DG08	AK66-00255A	GEAR-TRAY;BD-P8,POM,NTR	1	SNA
...4		AK68-02240A	LABEL CAUTION-WARNING;BD-P8,ART PAPER,0.	1	SNA
...4		AK90-00205A	ASSY MISC-CLAMPER;BD-P8,DYCPN	1	SNA
....5		AK61-01245A	MAGNET-CLAMPER;BD-P8,SPCC	1	SNA
....5		AK62-00049A	YOKE-CLAMPER;BD-P8,SPCC	1	SNA
....5		AK65-00003A	CLAMPER HOSE;BD-P8,ABS,WHIT	1	SNA
...4		AK96-01821A	ASSY PCB P-DECK;BD-P8	1	SNA
....5		3409-001723	SWITCH-LEVER;30,200,5,36deg	1	SNA
....5	CN3	3708-001878	CONNECTOR-FPC/FFC/PIC;6P,1mm,SMD-A,SnPb,	1	SA
....5		AK41-01103A	PCB-MOTOR;BD-P8,PHENOL,1mm,1	1	SNA
...3		AK96-01838A	ASSY PICK UP P;SOH-BP8	1	SNA
...4	S.N.A	0201-000169	ADHESIVE-CYA;ARCN-A501F,NTR	0	SNA

Level	Loc.	Part Code	Description & Specification	Qty.	SA/SNA
...4	S.N.A	0201-001081	ADHESIVE-AA;1401C,RED,-,BOND-LOCK SCREW	0	SNA
...4	S.N.A	0201-001525	ADHESIVE-UV;8840L,YEL,TRANS,23000,DISCMA	0	SNA
...4	S.N.A	0201-001819	ADHESIVE-UV;8833M,YELLOW,21000mPas,89%(H	0	SNA
...4		0201-002088	ADHESIVE-UV;IM127S,YEL,13000mPa.s,1mmt,	0	SNA
...4		0202-001618	SOLDER-WIRE FLUX;LFA3-107,D0.5,96.5Sn/3.	0	SNA
...4		AK63-00874A	COVER-ACT;SOH-BP8,STAINLESS-ST304,0.2T,	1	SNA
...4		AK67-00050A	LENS-OL DVD CD;SOH-BP1,PLASTIC,NTR,PI3.8	1	SNA
...4		AK67-00099A	LENS-BD OL;VS3504/VDP10V4,Plastic,NTR,Pi	1	SNA
...4		AK68-01760A	LABEL-STICKER;SOH-BP5,0.1,10,15,WHITE	1	SNA
...4		AK96-01826A	ASSY PICK UP P-ACT;SOH-BP8	1	SNA
....5	S.N.A	0201-001081	ADHESIVE-AA;1401C,RED,-,BOND-LOCK SCREW	0	SNA
....5	S.N.A	0201-001230	ADHESIVE-CYA;LOCTITE 480,BLK,300,-	0	SNA
....5	S.N.A	0201-001537	ADHESIVE-UV;SDM-378,WHT,11000mPas,-	0	SNA
....5	S.N.A	0201-001793	ADHESIVE-UV;8791L3,WHITE,20000mPa.s	0	SNA
....5		3302-001884	MAGNET-RARE EARTH;48MGOe,9x6.1x1.4mm	2	SNA
....5	S.N.A	3812-001419	WIRE-NO SHEATH CU;SCW,0V,18.5mm,1/0.11mm	4	SNA
....5	WA001	3812-001456	WIRE-NO SHEATH CU;SCM,18.5,YELLOW	2	SNA
....5	W377	6001-001291	SCREW-MACHINE;CH,+ ,M1.7,L4,ZPC(BLK),SWRC	2	SA
....5	M0114	AK61-00969A	HOLDER-WIRE;SOH-BP6,PPS,13.8,8.65,BLACK	1	SNA
....5	SNA	AK62-00050A	YOKE-ACT;SOH-BP8,SPCC,1.2t,16.8,29.0,whi	1	SNA
....5		AK96-01184A	ASSY PICK UP P-BLADE;SOH-BP6	1	SNA
....6	SNA	AK66-00163A	BLADE-ACT;SOH-BP6,E5006L,BEIGE	1	SNA
...4		AK96-01842A	ASSY PICK UP P-OPT;SOH-BP8	1	SNA
....5	S.N.A	0201-001525	ADHESIVE-UV;8840L,YEL,TRANS,23000,DISCMA	0	SNA
....5	S.N.A	0201-001819	ADHESIVE-UV;8833M,YELLOW,21000mPas,89%(H	0	SNA
....5		0201-002088	ADHESIVE-UV;IM127S,YEL,13000mPa.s,1mmt,	0	SNA
....5		0202-001618	SOLDER-WIRE FLUX;LFA3-107,D0.5,96.5Sn/3.	0	SNA
....5		0205-001226	GREASE;FLOIL KG-513,WHT,1KG	0	SNA
....5		0602-001182	DIODE-LASER;6mW,2V,655nm,TP	1	SNA
....5		0602-001197	DIODE-LASER;25mW,2V,405nm,TP	1	SNA
....5	W376	6001-000805	SCREW-MACHINE;CH,+,-,M1.7,L3,NI PLT,SWRC	3	SNA
....5	W291	6001-001155	SCREW-MACHINE;PH,+ ,M1.4,L3.5,ZPC(BLK),SW	1	SNA
....5		AK31-00048A	MOTOR STEP-CLD;SOH-BP7,3V,25~35,3V,-10 ~	1	SNA
....5		AK61-00742A	SPRING ETC-DVD GT;SOH-DR4,Cu,2.8,5.6,5.6	1	SNA
....5		AK61-00830A	HOLDER-GT BD;SOH-BP4,Zn,T1.85,D5.6,GRY	1	SNA
....5		AK61-00874A	SPRING ETC-PBS BD;SOH-BP5,SUS,0.15,SILBE	1	SNA
....5	ES02	AK61-00974A	SPRING ETC-DVD LD;SOH-SBP2,SUS301,3.7,0.	1	SA
....5		AK61-01060A	HOLDER-LD BD;SOH-BP7,Zn,15.2,7.3,GRAY	1	SNA
....5		AK61-01061A	HOLDER-CL;SOH-BP7,PPS(FZ-3805 S2),27.0,1	1	SNA
....5		AK61-01073A	SPRING ETC-PBS DVD;SOH-BP7,SUS 304 0.15t	1	SNA

Exploded Views and Parts List

Level	Loc.	Part Code	Description & Specification	Qty.	SA/SNA
....5		AK61-01075A	SPRING ETC-DVD HOLDER;SOH-BP7,SUS 304,11	1	SNA
....5		AK61-01217A	SPRING ETC-CLD;BP7,sus304,0.10,1.5,1.7,1	1	SNA
....5		AK61-01257A	BASE-PICK UP;SOH-BP7VE,PPS(FZ-3805 S2),B	1	SNA
....5		AK61-01258A	HOLDER-LD/GT;SOH-BP7VE,Zn,6,8,6,GRAY	1	SNA
....5		AK63-00518A	COVER-FPCB;SOH-BP4,SUS304,T0.15,W3.2,L13	1	SNA
....5	SNA	AK63-00717A	COVER-BASE;SOH-BP7,STAINLESS-ST304,0.2t	1	SNA
....5		AK66-00202A	SHAFT-MAIN CLD;SOH-BP7,SUS304,25,1.2,SIL	1	SNA
....5		AK67-00044A	LENS-CL DVD;SOH-BP1,PLASTIC,NTR,PI5.2,1.	1	SNA
....5		AK67-00094A	LENS-BD GT;Grating,LENS,B270,None,3.0*2.	1	SNA
....5		AK67-00095A	LENS-PBS BD;SOH-BP5,GLS,WHT,6.2*5.0,1.5	1	SNA
....5		AK67-00110A	LENS-BD QWP;BD QWP,Plastic,WHT,4.0*4.0,0	1	SNA
....5	SNA	AK67-00130A	LENS-CD GT;BDP7 CD GT,LENS,B270,WHT,3.0*	1	SNA
....5		AK67-00131A	LENS-DVD PBS;BDP7 DVD PBS,LENS,B270,WHT,	1	SNA
....5		AK67-00132A	LENS-DVD MR;BDP7 DVD MR,LENS,B270,WHT,4.	1	SNA
....5		AK67-00133A	LENS-DVD PLATE;BDP7 DVD PLATE,LENS,B270,	1	SNA
....5		AK67-00134A	LENS-BD CL;BDP7 BD CL,Z340R,WHT,4.4*5.3,	1	SNA
....5		AK67-00135A	LENS-BD ASL;BDP7 BD ASL,Z340R,WHT,Pi 2.4	1	SNA
....5		AK67-00159A	LENS-BD MRR;BDP7 BD MRR,LENS,B270,WHT,6.	1	SNA
....5		AK96-01830A	ASSY PICK UP P-PCB;SOH-BP8	1	SNA
....6		0202-001477	SOLDER-CREAM;LST309-M,D20~45um,96.5Sn/3A	0	SNA
....6		0603-001257	PHOTO-RECEIVER;6V,650nm	1	SNA
....6		0603-001259	PHOTO-RECEIVER;5.7V,405nm	1	SNA
....6	R700	1404-001328	THERMISTOR-NTC;10Kohm,0A,3370K,0mW/C,0uF	1	SNA
....6	R105	2007-000138	R-CHIP;100ohm,5%,1/16W,TP,1005	1	SA
....6	R16	2007-001313	R-CHIP;330ohm,5%,1/16W,TP,1005	1	SA
....6	HR10	2007-001320	R-CHIP;1.8Kohm,5%,1/16W,TP,1005	1	SA
....6	ND51C2	2104-001087	VR-SMD;2.2Kohm,25%,0.15W,TP	2	SNA
....6	S.N.A	2104-001125	VR-SMD;1KOHM,25%,1/10W,TP	1	SNA
....6	VC37	2203-006048	C-CER,CHIP;100nF,10%,10V,X7R,TP,1005	3	SA
....6	AD480	2203-006399	C-CER,CHIP;1000nF,10%,6.3V,X5R,TP,1005	4	SA
....6	S.N.A	3301-001808	BEAD-SMD;120ohm,1005,TP,530ohm/390MHz,12	4	SA
....6	J1	3708-002203	CONNECTOR-FPC/FFC/PIC;40P,0.5mm,SMD-A,AU	1	SA
....6		AK41-01105A	PCB MAIN;BDP8-Main,FR-4,2,2.1,0.6T,34.8	1	SNA
....6		AK41-01107A	FPC-BD;BDP8-BD,1.0,POLYIMDE,20,0.075T	1	SNA
....6		AK41-01108A	FPC-DVD;BDP8-DVD,1.0,POLYIMDE,20,0.075T	1	SNA
....6		AK41-01109A	FPC-ACT;BDP8-ACT,1.0,POLYIMDE,6,0.075T	1	SNA
....6		AK61-01248A	PLATE-PD BD;SOH-BP8,SPCC,2.15t,13,7.0,SI	1	SNA
....6		AK61-01249A	PLATE-PD DVD;SOH-BP8,SPCC,1.65t,11.8,6.5	1	SNA
..3		AK96-01943C	ASSY CABLE P-PICKUP;BD-P8,A,DU0L,224,40	1	SNA
..3		AK96-01943G	ASSY CABLE P-DECK_HTS;BD-P8,A,KB00053,26	1	SNA

Level	Loc.	Part Code	Description & Specification	Qty.	SA/SNA
..3		AK96-01944A	ASSY DECK P-HINGE PU;BD-P8	1	SNA
...4	ES09	AK61-01148A	SPRING ETC-HINGE PU;BD-P7,STAINLESS-ST53	1	SNA
...4	DH03	AK61-01244A	HINGE-PU;POM	1	SNA
1		AH90-00914B	ASSY COVER FRONT;HT-E5500	1	SNA
.2	F001A	AH96-01605B	ASSY COVER P-FRONT;HT-E5500,W/W,PC,BLACK	1	SA
..3	W390	6003-000276	SCREW-TAPTYPE;BH,+,-,B,M3,L10,ZPC(WHT),S	3	SA
..3		AH01-00010A	FILM-ITO;NTP05TK-40,HT-E5500,IT0*,0.29mm	1	SNA
..3	F001	AH63-02524B	COVER-FRONT;HT-E5500,ABS+PMMA,2.2,BLACK,	1	SNA
...4		0103-007790	RESIN-ABS PMMA;SF-0505EH,G01153,BK0041,1	135	SNA
..3	AC227	AH63-02525A	COVER-DOOR;HT-E5500,ABS+PC	1	SA
..3		AH63-02707A	SHEET-PROTECTION FRONT;HT-E5500/E5300/E5	1	SNA
..3		AH94-02843A	ASSY PCB FRONT-PBA;HT-E5500 ZA ZC ZF,NO	1	SA
...4		0202-001463	SOLDER-WIRE;LFC2-W3.0,-,D3,99.79Sn/0.2Cu	1	SNA
...4		0204-002420	SOLVENT;1M-1000,C3H70H,96	0	SNA
...4		0204-002607	FLUX;DF-234U,13%,14KG,Gravity 0.82	1	SNA
...4	D0254	0609-001333	MODULE REMOCON;CARTON,23.5mm,BOX,1.1g	1	SA
...4	CN2	3722-002313	JACK-USB;4P/1C,AU30U,BLK,STRAIGHT,A TYPE	1	SA
...4	FL06	3809-002787	FFC CABLE-FLAT;30V,80C,140mm,28P,1mm,H/F	1	SA
...4	EV01	AH07-00279A	VF DISPLAY;006BT359GNK,HT-E5500 (LEAD:23	1	SNA
...4	AH410	AH61-03339A	HOLDER-VFD;HT-E5500,ABS,BLACK	1	SNA
...4	AF020	AH63-02552A	FILTER-VFD;HT-E5500,PC,1MM,VIOLET,TRANSP	1	SNA
....5		0103-009597	RESIN-PC;SC-1220R,50201,RD0045,V-2	7	SNA
...4		AH97-07943A	ASSY SMD-FRONT;HT-E5XXX ZA ZC ZF,NO MIC	1	SNA
....5		0403-000489	DIODE-ZENER;MMSZ5228B,5%,500MW,SOD-123,T	1	SA
....5		0403-001339	DIODE-ZENER;UDZS6.2B,6.06-6.33V,200mW,SO	1	SA
....5	D1103	0406-001239	DIODE-TVS;RClamp0502B,6/-V,125W,SOT-52	1	SA
....5		0501-002651	TR-SMALL SIGNAL;KTC4378,NPN,500mW,SOT-89	2	SA
....5		1003-002386	IC-VFD;PT6325,QFN,48P,6x6mm,-40 to 20mA,	1	SNA
....5		1405-001306	VARISTOR;11Vdc,45A,0603,TP,50V	4	SA
....5	PR6	2007-000072	R-CHIP;47ohm,5%,1/10W,TP,1608	2	SNA
....5	MROP1	2007-000090	R-CHIP;10Kohm,5%,1/10W,TP,1608	4	SA
....5	R3A08	2007-000091	R-CHIP;12Kohm,5%,1/10W,TP,1608	1	SNA
....5	R830	2007-000101	R-CHIP;82Kohm,5%,1/10W,TP,1608	1	SA
....5	AR48	2007-000431	R-CHIP;16Kohm,5%,1/10W,TP,1608	4	SA
....5	R419	2007-000882	R-CHIP;4.7ohm,5%,1/10W,TP,1608	3	SA
....5	C254	2203-000438	C-CER,CHIP;1nF,10%,50V,X7R,TP,1005	2	SA
....5	AD480	2203-002050	C-CER,CHIP;47nF,10%,50V,X7R,TP,1608	1	SA
....5	AC2	2203-002711	C-CER,CHIP;100nF,10%,25V,X7R,TP,1608	1	SA
....5	C236	2203-005918	C-CER,CHIP;1000nF,10%,6.3V,X7R,TP,1608	3	SA
....5	C102	2203-006158	C-CER,CHIP;100nF,10%,16V,X7R,TP,1005,0.5	7	SA

Exploded Views and Parts List

Level	Loc.	Part Code	Description & Specification	Qty.	SA/SNA
....5	AD480	2203-007306	C-CER,CHIP;10000nF,10%,25V,X5R,TP,2012,1	3	SNA
....5	AD480	2203-007513	C-CER,CHIP;10000nF,10%,10V,X5R,TP,1608,0	3	SA
....5	PE11	2402-001276	C-AL,SMD;47uF,20%,35V,TP,6.6x6.6x5.8mm	2	SNA
....5	L8	2703-000402	INDUCTOR-SMD;1uH,20%,3225	1	SA
....5	DR32	3301-000314	BEAD-SMD;120ohm,1608,TP,120ohm/100MHz	2	SNA
....5		3404-001401	SWITCH-TACT;12VDC,50mA,250gf,6.2X6.2mm,1	3	SA
....5	AC510	3708-001981	CONNECTOR-FPC/FFC/PIC;28P,1mm,SMD-S,SN,N	1	SNA
....5	AC510	3708-002624	CONNECTOR-FPC/FFC/PIC;8P,0.5mm,SMD-A,AU,	1	SA
....5		AH11-00286B	IC MASK ROM-TOUCH SENSOR;HT-E5300-5500,8	1	SNA
....5		AH26-00389A	TRANS SWITCHING;DR1265,HT-E5500/E4500,DC	1	SA
....5		AH41-01467A	PCB-FRONT;HT-E5500 / 5300,CEM-3,2,1.6T,2	1	SNA
...3		AH96-01652A	ASSY COVER P-BUTTON;PROTECTION NEEDED,HT	1	SA
...4		AH61-03356A	HOLDER-BUTTON;HT-E5500,ABS,BLACK	1	SNA
...4	FBU13	AH64-05527A	BUTTON-POWER;HT-E5500,ABS,NTR	1	SNA
...4	FBU05	AH64-05538A	BUTTON-VOLUME;HT-E5500,ABS,BLK	1	SNA
....5		0103-004609	RESIN-ABS;HF-0680U,K21294,BK0007,1.5mm H	5	SNA
...3	C011	AK61-00137A	SPRING ETC-DOOR;DVD-R4000,COIL,PI0.45,DV	1	SA
...3		AK63-00838F	SHEET-PROTECTION DOOR;HT-E5500,PET 0.048	0	SNA
1		AH90-00915G	ASSY COVER BOTTOM;HT-E5500	1	SNA
.2	B001A	AH96-01606Q	ASSY COVER P-BOTTOM;HT-E5300/5500,SECC,7	1	SNA
...3	EF01	3103-001282	FAN-DC;12 VDC,2200rpm,0.147m^3/mi,0.921m	1	SA
...3	W391	6003-000275	SCREW-TAPTYPE;BH,+,B,M3,L10,ZPC(BLK),SWR	2	SA
...3	W275	6003-001561	SCREW-TAPTYPE;BH,+,-,B,M3,L6,ZPC(WHT),SW	1	SA
...3	AH383	AH61-03333A	HOLDER-SMPS;HT-E5500,HIPS	1	SNA
...4		0103-004637	RESIN-HIPS;VE-1897,K2901,BK0020,1.5 V-0,	14	SNA
...3	SNA	AH61-03366A	BRACKET-DECK;HT-E5500,EGI-SECC,T1.0	1	SNA
...3	RB01	AH63-02526G	COVER-BOTTOM;HT-E5500,EGI-SECC	1	SNA
...3	C1023	AK61-00608A	LEG;DVD-VR330,RUBBER,BLK,12	2	SNA
...3	CLAMP	AK65-00001A	CLAMPER CORE-CORD POWER;EXINO,ABS,BLK	1	SNA
...4		0103-004609	RESIN-ABS;HF-0680U,K21294,BK0007,1.5mm H	2	SNA
...3	M0909	BN63-02969A	GASKET;GASKET EMI,Polyurethane Sponge+Po	1	SNA
1	M0017	AH91-00419F	ASSY CHASSIS;HT-E5500,ZF, BHE5	1	SNA
.2	M0014	AH94-02842N	ASSY PCB MAIN-PBA;HT-E5500,Europe	1	SA
...3		3709-001592	CONNECTOR-CARD EDGE;22P,1.27mm,ANGLE,SN,	1	SA
...3	CON1	3710-002087	SOCKET-BOARD TO CABLE;23P,1R,1.25mm,STRA	1	SNA
...3	FAN1	3711-000820	HEADER-BOARD TO CABLE;BOX,2P,1R,2.5MM,ST	1	SA
...3		3716-001526	TERMINAL-BLOCK;JACK TYPE,6P,4.5mm	1	SA
...3		3722-002874	JACK-DIN;4P,SN,BLK,ANGLE	1	SA
...3		3722-003266	JACK-MODULAR;8P/8C,Yes,ANGLE-DIP,W/O,AU,	1	SA
...3		3722-003412	JACK-PIN;3P(RCA)+Optical,NI,WHT/YEL/RED,	1	SA



Level	Loc.	Part Code	Description & Specification	Qty.	SA/SNA
..3		AH27-00090A	COIL FILTER;9014W-01-7R0,7uH,16.2mohm,9.	6	SA
..3		AH62-00258A	HEAT SINK-ES;HT-E4500,A6063,BLACK,104.8*	1	SA
..3		AH68-50254B	LABEL-SERIAL;-,-,TETRON,T0.1,W42,L10,-,-	1	SNA
..3		AH97-08004A	ASSY SMD-MAIN;HT-E5500,Europe,AH94-02842	1	SNA
...4		0202-001477	SOLDER-CREAM;LST309-M,D20~45um,96.5Sn/3A	4	SNA
...4	D1	0401-001099	DIODE-SWITCHING;1N4148WS,75V,150mA,SOD-3	4	SA
...4	D0254	0404-000002	DIODE-SCHOTTKY;CMPSH-3,30V,100mA,SOT-23,	1	SA
...4	D0254	0404-001006	DIODE-SCHOTTKY;RB751V,40V,30mA,SOD-323,T	1	SA
...4	D2505	0404-001036	DIODE-SCHOTTKY;SDB30A40,40V,3000mA,SOD-1	5	SA
...4	D0254	0404-001084	DIODE-SCHOTTKY;BAT54A,30V,200mA,SOT-23,T	1	SA
...4	MD1	0404-001089	DIODE-SCHOTTKY;RB551V-30,20V,500MA,SOD-3	3	SA
...4	T0139	0406-001200	DIODE-TVS;RCLAMP0504F,6/-V,150W,SC-70	2	SA
...4	T0139	0406-001271	DIODE-TVS;RCLAMP0524P,6/-V,150W,SLP251	6	SNA
...4		0501-000150	TR-SMALL SIGNAL;2SA1037,PNP,200mW,SOT-23	3	SA
...4	KQ1	0501-000279	TR-SMALL SIGNAL;KSA1182-Y,PNP,150mW,SOT-	4	SA
...4	KQ6	0501-000341	TR-SMALL SIGNAL;KSC1623-L,NPN,200mW,SOT-	1	SA
...4	Q1040	0501-000457	TR-SMALL SIGNAL;MMBT2222A/KST2222A,NPN,3	2	SA
...4	Q1042	0501-000462	TR-SMALL SIGNAL;MMBT2907A,PNP,350mW,SOT-	3	SA
...4	Q613	0501-000465	TR-SMALL SIGNAL;MMBT3904,NPN,350mW,SOT-2	3	SA
...4	Q1	0501-000479	TR-SMALL SIGNAL;KST42,NPN,350mW,SOT-23,T	2	SA
...4	AQ7	0504-000128	TR-DIGITAL;FJV3103R,NPN,200mW,22K/22Kohm	6	SA
...4		0504-001013	TR-DIGITAL;KRC106S,NPN,200MW,4.7K/47K,SO	2	SNA
...4		0505-001377	FET-SILICON;BSN20,N,50V,100mA,15ohm,250W	1	SA
...4		0505-002598	FET-SILICON;AP2317GN,P,-20V,-4.2A,0.052o	2	SA
...4	FD7	0601-001226	LED;SMD(TOP VIEW),RED,1.2x0.8mm,660nm,1.	1	SNA
...4	IC104	0801-002518	IC-CMOS LOGIC;74LCX157,2-INPUT MULTIPLEX	1	SA
...4		0903-001771	IC-MICROCONTROLLER;LQFP (EPAD),128P,14 m	1	SA
...4		0904-002714	IC-USC;QFN,28P,5.0mm X 5.0mm,12MHz,TP,PL	1	SA
...4		1001-001689	IC-ANALOG SWITCH;TS5A23159RSER,QFN,10P,2	1	SA
...4		1002-001582	IC-A/D CONVERTER;CS5346,24,LQFP,48P,7x7m	1	SNA
...4		1003-002383	IC-MOTOR DRIVER;TPIC1391DBTRG4,TSSOP,30P	1	SNA
...4		1003-002384	IC-MOTOR DRIVER;TPIC1407,DFD,56P,14.10x6	1	SNA
...4		1006-001438	IC-BUS DRIVER;MFI341S2162/2164,QFN,20P,4	1	SA
...4	IC112	1103-001410	IC-EEPROM;S-24CS08AFJ-TB-1GE,8Kbit,1Kx8,	1	SNA
...4	IC112	1103-001475	IC-EEPROM;M24256-BR,256Kbit,32Kx8,SOP,8P	1	SNA
...4		1105-002161	IC-DDR3 SDRAM;K4B2G1646C-HCH9,1333 DDR3	2	SNA
...4		1105-002194	IC-DDR3 SDRAM;K4B1G1646G-BCH9,DDR3 SDRAM	1	SA
...4		1201-003184	IC-AUDIO AMP;TAS5614APHD,HTQFP,64P,14x14	3	SA
...4		1201-003331	IC-VIDEO AMP;MM1756DURE,TSOP,6P,2x1.25mm	1	SNA
...4		1203-006067	IC-POWER SUPERVISOR;TPS2553DBVR,SOT-23,6	3	SNA

Exploded Views and Parts List

Level	Loc.	Part Code	Description & Specification	Qty.	SA/SNA
...4		1203-006133	IC-POS1.ADJUST REG.;AP1117D-25-GZ-13-89,	1	SA
...4	T0087	1203-006135	IC-POS1.FIXED REG.;AP1117D-33-GZ-13-89,T	1	SA
...4		1203-006693	IC-DC/DC CONVERTER;AOZ1034PI,SO-8,8P,4.9	1	SA
...4		1203-006700	IC-POS1.ADJUST REG.;AP7311-WG-7,SOT25,6P	1	SNA
...4		1203-007005	IC-POS1.FIXED REG.;G912F11U,SOP-8(FD),8P	1	SA
...4		1203-007080	IC-DC/DC CONVERTER;AOZ1051PI,SO-8,8P,4.9	3	SA
...4		1203-007107	IC-RESET;CAT853STBI-T3,SOT-23 3-Lead,3P,	1	SA
...4		1203-007137	IC-POS1.ADJUST REG.;AP7361-Y,SOT89,5P,4.	1	SA
...4		1204-003233	IC-VIDEO DECODER;SDP1004,880P,27x27x3.1m	1	SNA
...4		1204-003322	IC-MODULATOR;TAS5538DGGR,TSSOP,56P,14x8.	1	SA
...4		1204-003345	IC-TUNER;SI4705-D60-GMR,QFN,20P,3x3mm,PL	1	SA
...4		1205-003834	IC-ETHERNET CONTROLLER;RTL8201E-VC-GRT,Q	1	SA
...4	HD9	1405-001192	VARISTOR;12Vdc,30A,1.6x0.8x0.55mm,TP,50V	10	SA
...4		1405-001253	VARISTOR;12Vdc,1.6x0.8x0.4mm,TP,100V,0.2	11	SA
...4	J914	2007-000029	R-CHIP;0ohm,5%,1/8W,TP,2012	1	SC
...4	JP19	2007-000033	R-CHIP;0ohm,5%,1/4W,TP,3216	3	SA
...4	DR1	2007-000043	R-CHIP;1Kohm,1%,1/10W,TP,1608	3	SA
...4	PR4	2007-000052	R-CHIP;10Kohm,1%,1/10W,TP,1608	6	SA
...4	ND51C2	2007-000066	R-CHIP;20Kohm,1%,1/10W,TP,1608	2	SNA
...4	KAR21	2007-000070	R-CHIP;0ohm,5%,1/10W,TP,1608	3	SA
...4	CER02	2007-000071	R-CHIP;22ohm,5%,1/10W,TP,1608	1	SA
...4	PR6	2007-000072	R-CHIP;47ohm,5%,1/10W,TP,1608	3	SNA
...4	AR30	2007-000074	R-CHIP;100ohm,5%,1/10W,TP,1608	14	SA
...4	AR158	2007-000077	R-CHIP;470ohm,5%,1/10W,TP,1608	1	SA
...4	AR150	2007-000078	R-CHIP;1Kohm,5%,1/10W,TP,1608	9	SA
...4	FAR22	2007-000082	R-CHIP;3.3Kohm,5%,1/10W,TP,1608	1	SNA
...4	CER04	2007-000084	R-CHIP;4.7Kohm,5%,1/10W,TP,1608	6	SA
...4	MROP1	2007-000090	R-CHIP;10Kohm,5%,1/10W,TP,1608	4	SA
...4	MR122	2007-000094	R-CHIP;22Kohm,5%,1/10W,TP,1608	3	SA
...4	AR108	2007-000097	R-CHIP;47Kohm,5%,1/10W,TP,1608	9	SA
...4	R830	2007-000101	R-CHIP;82Kohm,5%,1/10W,TP,1608	2	SA
...4	ARR2	2007-000102	R-CHIP;100Kohm,5%,1/10W,TP,1608	1	SA
...4	R309	2007-000105	R-CHIP;200Kohm,5%,1/10W,TP,1608	1	SNA
...4	R510	2007-000108	R-CHIP;510Kohm,5%,1/10W,TP,1608	1	SA
...4	AAR39	2007-000123	R-CHIP;1.5Kohm,5%,1/10W,TP,1608	1	SA
...4	R1053	2007-000131	R-CHIP;91Kohm,5%,1/10W,TP,1608	1	SA
...4	R15	2007-000134	R-CHIP;33Kohm,5%,1/10W,TP,1608	2	SNA
...4	MR604	2007-000137	R-CHIP;2Kohm,5%,1/16W,TP,1005	5	SA
...4	R105	2007-000138	R-CHIP;100ohm,5%,1/16W,TP,1005	30	SA
...4	AR49	2007-000140	R-CHIP;1Kohm,5%,1/16W,TP,1005	9	SA

Level	Loc.	Part Code	Description & Specification	Qty.	SA/SNA
...4	AVR73	2007-000142	R-CHIP;2.7Kohm,5%,1/16W,TP,1005	3	SNA
...4	R319	2007-000143	R-CHIP;4.7Kohm,5%,1/16W,TP,1005	27	SA
...4	PR27	2007-000144	R-CHIP;5.1Kohm,5%,1/16W,TP,1005	2	SA
...4		2007-000146	R-CHIP;6.8Kohm,5%,1/16W,TP,1005	2	SA
...4		2007-000147	R-CHIP;8.2Kohm,5%,1/16W,TP,1005	1	SA
...4	R104	2007-000148	R-CHIP;10Kohm,5%,1/16W,TP,1005	50	SA
...4	R102	2007-000149	R-CHIP;12Kohm,5%,1/16W,TP,1005	2	SA
...4	HDR2	2007-000151	R-CHIP;15Kohm,5%,1/16W,TP,1005	1	SA
...4	MR36	2007-000153	R-CHIP;22Kohm,5%,1/16W,TP,1005	5	SNA
...4	AR43	2007-000155	R-CHIP;27Kohm,5%,1/16W,TP,1005	1	SNA
...4	MR13	2007-000157	R-CHIP;47Kohm,5%,1/16W,TP,1005	24	SA
...4	R123	2007-000159	R-CHIP;56Kohm,5%,1/16W,TP,1005	12	SA
...4	DR39	2007-000162	R-CHIP;100Kohm,5%,1/16W,TP,1005	6	SA
...4	R517	2007-000163	R-CHIP;120Kohm,5%,1/16W,TP,1005	1	SA
...4		2007-000165	R-CHIP;200Kohm,5%,1/16W,TP,1005	3	SNA
...4	MR16	2007-000168	R-CHIP;470Kohm,5%,1/16W,TP,1005	2	SNA
...4	R509	2007-000170	R-CHIP;1Mohm,5%,1/16W,TP,1005	2	SA
...4	R111	2007-000171	R-CHIP;0ohm,5%,1/16W,TP,1005	50	SNA
...4	MR39	2007-000242	R-CHIP;1.5Kohm,5%,1/16W,TP,1005	3	SA
...4		2007-000253	R-CHIP;1.5ohm,5%,1/4W,TP,3216	1	SA
...4	MR9	2007-000455	R-CHIP;18Kohm,1%,1/10W,TP,1608	1	SA
...4	WR18B	2007-000463	R-CHIP;18ohm,5%,1/10W,TP,1608	14	SA
...4		2007-000464	R-CHIP;18ohm,5%,1/4W,TP,3216	1	SA
...4	MR8	2007-000503	R-CHIP;2.2ohm,5%,1/10W,TP,1608	1	SA
...4		2007-000504	R-CHIP;2.2ohm,5%,1/4W,TP,3216	1	SA
...4	UR16	2007-000552	R-CHIP;20ohm,5%,1/10W,TP,1608	2	SA
...4	R3A05	2007-000616	R-CHIP;24Kohm,5%,1/10W,TP,1608	2	SA
...4	R813	2007-000643	R-CHIP;270ohm,5%,1/10W,TP,1608	1	SNA
...4	PR2	2007-000651	R-CHIP;27Kohm,1%,1/10W,TP,1608	1	SA
...4	R726	2007-000695	R-CHIP;3.3ohm,5%,1/10W,TP,1608	24	SNA
...4	R19	2007-000763	R-CHIP;330ohm,1%,1/10W,TP,1608	1	SNA
...4	R299	2007-000772	R-CHIP;33Kohm,1%,1/10W,TP,1608	1	SA
...4	R124	2007-000775	R-CHIP;33Kohm,5%,1/16W,TP,1005	16	SNA
...4	MR14	2007-000842	R-CHIP;3Kohm,1%,1/10W,TP,1608	1	SA
...4	R980	2007-000929	R-CHIP;470ohm,1%,1/10W,TP,1608	2	SNA
...4	FR18	2007-000982	R-CHIP;5.6Kohm,5%,1/16W,TP,1005	2	SA
...4	R858	2007-001007	R-CHIP;51Kohm,1%,1/10W,TP,1608	3	SA
...4	S1I0240	2007-001119	R-CHIP;680ohm,5%,1/16W,TP,1005	1	SNA
...4	R703	2007-001153	R-CHIP;750ohm,1%,1/10W,TP,1608	1	SA
...4	AHR41	2007-001175	R-CHIP;8.2Kohm,1%,1/10W,TP,1608	2	SA

Exploded Views and Parts List

Level	Loc.	Part Code	Description & Specification	Qty.	SA/SNA
...4		2007-001284	R-CHIP;4.7ohm,5%,1/16W,TP,1005	1	SNA
...4	OTR1	2007-001292	R-CHIP;33ohm,5%,1/16W,TP,1005	91	SA
...4	DR43	2007-001298	R-CHIP;51ohm,5%,1/16W,TP,1005	2	SNA
...4		2007-001300	R-CHIP;56ohm,5%,1/2W,TP,5025	1	SNA
...4	DR1	2007-001301	R-CHIP;68ohm,5%,1/16W,TP,1005	2	SA
...4	AR30	2007-001306	R-CHIP;150ohm,5%,1/16W,TP,1005	1	SA
...4	R16	2007-001313	R-CHIP;330ohm,5%,1/16W,TP,1005	3	SA
...4		2007-001342	R-CHIP;2Mohm,5%,1/10W,TP,1608	1	SA
...4	R1	2007-002425	R-CHIP;1ohm,5%,1/10W,TP,1608	9	SNA
...4		2007-002437	R-CHIP;2ohm,5%,1/10W,TP,1608	1	SNA
...4		2007-002768	R-CHIP;6.2Kohm,1%,1/10W,TP,1608	1	SA
...4	MR316	2007-002796	R-CHIP;510ohm,5%,1/16W,TP,1005	6	SA
...4	TR30	2007-007009	R-CHIP;75ohm,5%,1/16W,TP,1005	7	SA
...4		2007-007065	R-CHIP;10ohm,5%,1W,TP,6432	4	SA
...4		2007-007100	R-CHIP;10Mohm,5%,1/16W,TP,1005	1	SA
...4		2007-007135	R-CHIP;18Kohm,1%,1/16W,TP,1005	1	SNA
...4		2007-007136	R-CHIP;4.7Kohm,1%,1/16W,TP,1005	2	SNA
...4	MR10	2007-007141	R-CHIP;240ohm,5%,1/16W,TP,1005	2	SNA
...4	DR4	2007-007142	R-CHIP;10Kohm,1%,1/16W,TP,1005	2	SA
...4		2007-007156	R-CHIP;1ohm,5%,1/16W,TP,1005	10	SA
...4		2007-007306	R-CHIP;100ohm,1%,1/16W,TP,1005	4	SNA
...4		2007-007311	R-CHIP;22Kohm,1%,1/16W,TP,1005	2	SA
...4		2007-007317	R-CHIP;2.2Kohm,1%,1/16W,TP,1005	7	SA
...4		2007-007318	R-CHIP;1Kohm,1%,1/16W,TP,1005	8	SNA
...4		2007-007319	R-CHIP;390ohm,1%,1/16W,TP,1005	1	SNA
...4		2007-007517	R-CHIP;240ohm,1%,1/16W,TP,1005	3	SNA
...4		2007-007528	R-CHIP;1.5Kohm,1%,1/16W,TP,1005	1	SA
...4		2007-007617	R-CHIP;2.49Kohm,1%,1/10W,TP,1608	1	SA
...4	R8	2007-007721	R-CHIP;560ohm,1%,1/10W,TP,1608	1	SA
...4		2007-007766	R-CHIP;2Kohm,1%,1/16W,TP,1005	2	SA
...4		2007-007797	R-CHIP;44.2ohm,1%,1/10W,TP,1608	2	SA
...4		2007-007834	R-CHIP;16.5Kohm,1%,1/10W,TP,1608	3	SA
...4	MR11	2007-008015	R-CHIP;75ohm,1%,1/16W,TP,1005	2	SA
...4		2007-008070	R-CHIP;130ohm,1%,1/10W,TP,1608	1	SNA
...4		2007-008213	R-CHIP;4.3Kohm,1%,1/16W,TP,1005	1	SNA
...4		2007-008263	R-CHIP;3Kohm,1%,1/16W,TP,1005	3	SA
...4		2007-008649	R-CHIP;220ohm,1%,1/16W,TP,1005	1	SNA
...4		2007-009853	R-CHIP;1.6Kohm,1%,1/16W,TP,1005	1	SNA
...4		2011-001264	R-NETWORK;10ohm,5%,1/16W,L,CHIP,8P,TP,2.	3	SNA
...4	HRP2	2011-001344	R-NETWORK;100ohm,5%,1/16W,L,CHIP,8P,TP,2	14	SA

Level	Loc.	Part Code	Description & Specification	Qty.	SA/SNA
...4		2011-001345	R-NETWORK;10Kohm,5%,1/16W,L,CHIP,8P,TP,2	1	SA
...4	DC30	2203-000138	C-CER,CHIP;1.5nF,10%,50V,X7R,TP,1005	3	SA
...4	PC43	2203-000233	C-CER,CHIP;0.1nF,5%,50V,C0G,TP,1005	6	SA
...4	MC2	2203-000254	C-CER,CHIP;10nF,10%,16V,X7R,TP,1005	7	SA
...4	DC93	2203-000311	C-CER,CHIP;0.12nF,5%,50V,C0G,TP,1005	6	SA
...4	DC2	2203-000330	C-CER,CHIP;0.012nF,5%,50V,C0G,TP,1005	1	SA
...4	DC1	2203-000386	C-CER,CHIP;0.015nF,5%,50V,C0G,TP,1005	6	SA
...4	MC302	2203-000425	C-CER,CHIP;0.018nF,5%,50V,C0G,TP,1005	2	SA
...4	C254	2203-000438	C-CER,CHIP;1nF,10%,50V,X7R,TP,1005	10	SA
...4	C507	2203-000489	C-CER,CHIP;2.2nF,10%,50V,X7R,TP,1005	5	SA
...4	AD480	2203-000585	C-CER,CHIP;0.22nF,10%,50V,X7R,TP,1005	2	SA
...4	MC9	2203-000627	C-CER,CHIP;0.022nF,5%,50V,C0G,TP,1005	4	SNA
...4	AD480	2203-000679	C-CER,CHIP;0.027nF,5%,50V,C0G,TP,1005	2	SA
...4	JC31	2203-000715	C-CER,CHIP;3.3nF,10%,50V,X7R,TP,1608	12	SA
...4	C612	2203-000726	C-CER,CHIP;3.9nF,10%,50V,X7R,TP,1608	2	SA
...4	DC25	2203-000812	C-CER,CHIP;0.033nF,5%,50V,C0G,TP,1005	14	SA
...4	6MC22	2203-000975	C-CER,CHIP;47nF,10%,25V,X7R,TP,1608	2	SNA
...4	AC35	2203-001239	C-CER,CHIP;0.082nF,5%,50V,NP0,TP,1005	3	SNA
...4	C525	2203-001634	C-CER,CHIP;33nF,10%,50V,X7R,TP,1608	12	SNA
...4	AD480	2203-002285	C-CER,CHIP;10nF,10%,50V,X7R,TP,1005	12	SNA
...4	AC2	2203-002711	C-CER,CHIP;100nF,10%,25V,X7R,TP,1608	7	SA
...4	AD480	2203-002720	C-CER,CHIP;10nF,10%,25V,X7R,TP,1005,0.5T	6	SNA
...4	DC18	2203-005138	C-CER,CHIP;1.8nF,10%,50V,X7R,TP,1005	4	SA
...4	AD480	2203-005158	C-CER,CHIP;0.0022nF,0.25pF,50V,NP0,TP,10	2	SNA
...4	AAC1	2203-005249	C-CER,CHIP;100nF,10%,50V,X7R,TP,1608	47	SA
...4	C24	2203-005565	C-CER,CHIP;1nF,5%,50V,C0G,TP,1608	2	SA
...4	AD480	2203-005968	C-CER,CHIP;4.7nF,10%,50V,X7R,TP,1005,0.5	6	SNA
...4	C239	2203-006047	C-CER,CHIP;33nF,10%,16V,X7R,TP,1005	3	SA
...4	VC37	2203-006048	C-CER,CHIP;100nF,10%,10V,X7R,TP,1005	223	SA
...4	PC11	2203-006141	C-CER,CHIP;1000nF,10%,16V,X5R,TP,1608,0.	2	SNA
...4	C102	2203-006158	C-CER,CHIP;100nF,10%,16V,X7R,TP,1005,0.5	79	SA
...4	C510	2203-006170	C-CER,CHIP;220nF,10%,16V,X7R,TP,1608	3	SA
...4	AD480	2203-006257	C-CER,CHIP;470nF,10%,6.3V,X5R,TP,1005,0.	2	SNA
...4	AD480	2203-006320	C-CER,CHIP;2200nF,10%,16V,X7R,TP,2012	2	SNA
...4	C802	2203-006348	C-CER,CHIP;1000nF,10%,25V,X5R,TP,1608,0.	31	SA
...4	C125	2203-006361	C-CER,CHIP;10000nF,10%,10V,X5R,TP,2012	21	SC
...4	AD480	2203-006377	C-CER,CHIP;4700nF,10%,25V,X5R,TP,2012	1	SNA
...4	AD480	2203-006391	C-CER,CHIP;1000nF,10%,10V,X7R,TP,1608	4	SNA
...4	AD480	2203-006399	C-CER,CHIP;1000nF,10%,6.3V,X5R,TP,1005	8	SA
...4	HE4	2203-006474	C-CER,CHIP;22000nF,20%,6.3V,X5R,TP,2012	20	SA

Exploded Views and Parts List

Level	Loc.	Part Code	Description & Specification	Qty.	SA/SNA
...4	HDC11	2203-006562	C-CER,CHIP;1000nF,10%,10V,X5R,TP,1005	3	SA
...4	AD480	2203-006698	C-CER,CHIP;1000nF,10%,25V,X7R,TP,1608,0.	1	SNA
...4	AD480	2203-006838	C-CER,CHIP;2200nF,10%,6.3V,X5R,TP,1005	1	SA
...4	AD480	2203-006841	C-CER,CHIP;1000nF,10%,16V,X5R,TP,1005	2	SNA
...4	C23	2203-006890	C-CER,CHIP;10000nF,20%,6.3V,X5R,TP,1608	38	SA
...4	C390	2203-006977	C-CER,CHIP;47000nF,10%,16V,X5R,TP,3225	2	SA
...4	AD480	2203-006992	C-CER,CHIP;0.33nF,5%,50V,C0G,TP,1005	15	SNA
...4	AD480	2203-007176	C-CER,CHIP;10000nF,10%,16V,X5R,TP,2012,1	5	SNA
...4	AD480	2203-007230	C-CER,CHIP;47000nF,20%,6.3V,X5R,TP,2012,	5	SA
...4	AD480	2203-007306	C-CER,CHIP;10000nF,10%,25V,X5R,TP,2012,1	2	SNA
...4	AD480	2203-007338	C-CER,CHIP;470nF,10%,100V,X7R,TP,3225	6	SNA
...4	AD480	2203-007513	C-CER,CHIP;10000nF,10%,10V,X5R,TP,1608,0	36	SA
...4	AD480	2203-008096	C-CER,CHIP;2200nF,10%,50V,X5R,TP,2012,1.	1	SA
...4	VE12	2402-000204	C-AL,SMD;10UF,20%,16V,WT,TP,4.3X4.3X5.4	2	SA
...4	C	2402-001160	C-AL,SMD;330UF,20%,16V,WT,TP,1008	3	SA
...4	AVE04	2402-001184	C-AL,SMD;47UF,20%,16V,WT,TP,6.6X6.6X6MM	1	SA
...4		2402-001185	C-AL,SMD;2.2UF,20%,50V,WT,TP,4.3X4.3X6MM	1	SA
...4	HR8	2703-000166	INDUCTOR-SMD;2.7uH,5%,3225	2	SA
...4		2703-000175	INDUCTOR-SMD;270nH,10%,1608	1	SA
...4	L8	2703-000402	INDUCTOR-SMD;1uH,20%,3225	1	SA
...4	T0052	2703-003790	INDUCTOR-SMD;4.7uH,20%,8080	3	SA
...4		2703-003937	INDUCTOR-SMD;1uH,20%,7.0x6.47x3.0mm	1	SA
...4	X202	2801-003843	CRYSTAL-SMD;18.432MHz,30ppm,SMD,20pF,50o	1	SA
...4	X202	2801-003856	CRYSTAL-SMD;0.032768MHz,20ppm,28-ACP,7pF	1	SA
...4	CF2	2801-004655	CRYSTAL-SMD;25MHz,50ppm,SX-3,18pF,25ohm,	1	SA
...4	X202	2801-004775	CRYSTAL-SMD;12MHz,30ppm,16pF,30ohm,TP	1	SNA
...4		2801-004932	CRYSTAL-SMD;25MHz,30ppm,SMD,12pF,40ohm,T	1	SA
...4		2801-004938	CRYSTAL-SMD;24.000000MHz,20ppm,SMD,12pF,	1	SNA
...4	T0122	2802-001196	RESONATOR-CERAMIC;10MHz,0.5%,TP,3.2x1.3x	1	SNA
...4	F103	2901-001302	FILTER-EMI SMD;20V,0.3A,0pF,2.0x1.2x1.3m	2	SA
...4	T0568	3301-001404	BEAD-SMD;30ohm,2012,TP,15.9OHM/30MHz,-	55	SA
...4	T0568	3301-001594	BEAD-SMD;90ohm,2.0*1.2*1.3mm,TP,-,-	1	SNA
...4	S.N.A	3301-001808	BEAD-SMD;120ohm,1005,TP,530ohm/390MHz,12	12	SA
...4		3701-001792	CONNECTOR-HDMI;19P,2ROW,FEMALE,ANGLE,AU	3	SA
...4	AC510	3708-001837	CONNECTOR-FPC/FFC/PIC;15P,1mm,SMD-S,SN,N	1	SA
...4	AC510	3708-001981	CONNECTOR-FPC/FFC/PIC;28P,1mm,SMD-S,SN,N	1	SNA
...4	AC510	3708-002140	CONNECTOR-FPC/FFC/PIC;5P,1mm,SMD-S,SnPb,	1	SA
...4		3708-002343	CONNECTOR-FPC/FFC/PIC;5,1mm,SMD-A,SN,N,T	1	SNA
...4		3708-002908	CONNECTOR-FPC/FFC/PIC;40P,0.5mm,SMD-S,0.	1	SA
...4	CN906	3711-007346	CONNECTOR-HEADER;BOX,18P,1R,0.6mm,SMD-A,	1	SA

Level	Loc.	Part Code	Description & Specification	Qty.	SA/SNA
...4	EH01	3711-008101	HEADER-BOARD TO CABLE;BOX,4P,1R,1.25mm,S	1	SA
...4		AH41-01568A	PCB MAIN;HT-E5500,FR-4,4,1.6T,297*142,1	1	SNA
...4		AH97-08323A	ASSY MICOM;HTS-E5500WWM-1003.2,2012.02.2	1	SNA
....5		0903-001721	IC-MICROCONTROLLER;LC87F5WC8A,100P,14x20	1	SNA
...4		AH97-08328A	ASSY MICOM;HTS-E5500WWB-1004.2,2012.03.0	1	SNA
....5		1107-002088	IC-NAND FLASH;KLM2G1HE3F-B001,2GByte,16G	1	SNA
...4		AH97-08333A	ASSY MICOM;HT-E5500,AH94-02882E	1	SNA
....5		1205-004431	IC-REPEATER;EP92A2S,LQFP,128P,14x14mm,PL	1	SNA
...4		AH97-08338A	ASSY MICOM;HT-E5500,AH94-02882F	1	SNA
....5		1107-001916	IC-NOR FLASH;W25Q16BVSSIG,16Mbit,2Mbitx8	1	SNA
..3		AH97-08324A	ASSY HDCP;HT-E5500,AH94-02882C	1	SNA
...4		BN46-00109H	KEY CODE-CERTIFI;MAC,TV/AV,General	1	SNA
...4		BN46-00217B	KEY CODE-CERTIFI;HT-E5500,PACK, AV, Fire	1	SNA
..3	T0066	BN62-00072A	HEAT SINK-ES;40*40*2.5,A6063,T2.6,TAPE,N	1	SNA
1		AH91-00471D	ASSY SHIELD;HT-E5500	1	SNA
.2	T0268	3903-000407	CBF-POWER CORD;AT,EU,CP2,HOUSING(2P),250	1	SA
.2	W391	6003-000275	SCREW-TAPTYPE;BH,+ ,B,M3,L10,ZPC(BLK),SWR	6	SA
.2	W275	6003-001561	SCREW-TAPTYPE;BH,+ ,-,B,M3,L6,ZPC(WHT),SW	16	SA
.2	EC13	AH39-01172A	LEAD CONNECTOR;HT-E5500,Lead Connector A	1	SA
.2	SNA	AH61-03366A	BRACKET-DECK;HT-E5500,EGI-SECC,T1.0	1	SNA
.2	P001A	AH94-02839A	ASSY PCB SMPS-PBA;HT-E3500E4500E5500,ZF	1	SA
..3		0201-001059	ADHESIVE-SIL;#9590,WHT,CARTRIGE	0	SNA
..3		0202-001463	SOLDER-WIRE;LFC2-W3.0,-,D3,99.79Sn/0.2Cu	5	SNA
..3		0204-002420	SOLVENT;1M-1000,C3H70H,96	0	SNA
..3		0204-002607	FLUX;DF-234U,13%,14KG,Gravity 0.82	2	SNA
..3		0205-001278	GREASE;T4110	0	SNA
..3	D3503	0402-000268	DIODE-RECTIFIER;SB360,60V,3A,DO-201AD,TP	1	SA
..3	SBD5	0402-001258	DIODE-BRIDGE;GBU606,600V,6A,SIP-4,BK	1	SA
..3	D1SS12	0402-001439	DIODE-RECTIFIER;SHK75-11,100V,3A,DO-201A	1	SA
..3	DR01A	0402-001637	DIODE-RECTIFIER;FFA60UP20DN,200V,30A,TO-	1	SNA
..3	Q409	0505-001981	FET-SILICON;SPA11N80C3,N,800V,11A,0.45OH	1	SA
..3		0604-001466	PHOTO-COUPLER;TR,130~260,250mW,DIP-4,ST	1	SA
..3		1203-004520	IC-DC/DC CONVERTER;AP1501,TO-220(R),5P,1	1	SNA
..3	T0086	1203-006090	IC-PWM CONTROLLER;ICE2QS03,DIP,8P,9.52x6	1	SA
..3	T0900	1404-001195	THERMISTOR-NTC;5.1ohm,3.84A,3000K,21mW/C	1	SA
..3		1405-000152	VARISTOR;560V,455Vdc,2500A,14x8.5mm,TP,9	1	SA
..3		2009-001259	R-METAL PLATE;0.1ohm,5%,5,R-Type,BK,18x1	1	SA
..3	PCD02	2201-000963	C-CERAMIC,DISC;1nF,20%,400V,Y5U,9.5x6mm,	3	SA
..3		2201-002213	C-CERAMIC,DISC;0.47nF,10%,400V,Y5P,8.0X6	1	SNA
..3		2301-001220	C-FILM,LEAD-PPF;100nF,10%,275V,BK,18x6x1	1	SA

Exploded Views and Parts List

Level	Loc.	Part Code	Description & Specification	Qty.	SA/SNA
...3	CX2	2301-001511	C-FILM,LEAD-PEF;330nF,10%,275V,BK,16X18X	2	SA
...3	CF1	2301-001796	C-FILM,LEAD-PPF;0.56nF,5%,1000V,23x12mm	1	SA
...3	WE08	2401-003850	C-AL;1000UF,20%,50V,WT,TP,12.5 X 25,5	4	SA
...3		2401-004792	C-AL;560uF,20%,250V,BK,25*35,10mm	2	SA
...3	PCNS2	3711-000203	HEADER-BOARD TO CABLE;1WALL,2P/3P,1R,7.9	1	SA
...3	CON1	3711-005637	HEADER-BOARD TO BOARD;NOWALL,23P,1R,1.25	1	SA
...3	M0081	6003-001375	SCREW-TAPTYPE;BH,+,-,B,M3,L8,ZPC(WHT),SW	3	SA
...3		AH26-00390A	TRANS SWITCHING;EER4242S,HT-E5500/E4500,	1	SA
...3	T0010	AH27-00055A	COIL CHOKE;DBF-1310A,HT-DS600,10uH,10%,-	1	SA
...3	WL06	AH27-00062A	COIL FILTER;HXD77,22.8uH,55mOHM,19.5,13.	1	SA
...3	T0010	AH27-00068A	COIL CHOKE;BARX20, 2.9UH,HT-Z320,2.9uH,2	1	SA
...3	LF2_1	AH29-00015A	FILTER LINE;HT-Z110,SQ2424,1.1 OHM,-,9mH	1	SA
...3	LF2_1	AH29-00016B	FILTER LINE;HT-Z320,TR16 4.0mH,0.08,-,4.	1	SA
...3	AH020	AH62-00201H	HEAT SINK;HT-C450,A6063,18,35,46,SILVER,	2	SNA
...3	HSD11A	AH62-30122A	HEAT SINK-POWER;DVD-860,A6063S-T5,T1.3,W	1	SNA
...3	L-STIC	AH68-50254F	LABEL-STICKER;ALL,ALL,T0.1,W40,L7,ART-PA	1	SNA
...3		AH97-07925A	ASSY AUTO-SMPS;HT-E3500E4500E5500 ZF RU,	1	SNA
...4	PDS11	0402-000012	DIODE-RECTIFIER;UF4007,1000V,1A,DO-41,TP	2	SA
...4	D3502	0402-000165	DIODE-RECTIFIER;1N5819,40V,1A,DO-41,TP	2	SA
...4	ZD1SF	0403-001318	DIODE-ZENER;MTZJ4.3B,4.17-4.43V,500mW,DO	1	SA
...4		0403-001329	DIODE-ZENER;MTZJ24B,22.75-23.73V,500mW,D	1	SA
...4	EL02	0601-003188	LED;ROUND,GRN,3.1mm,565nm,3.85x5.28mm	1	SA
...4	IC012	1203-001217	IC-POSI.ADJUST REG.;431,TO-92,3P,4.58MIL	1	SA
...4	PPRO1	2001-000042	R-CARBON;1Kohm,5%,1/4W,AA,TP,2.4x6.4mm	1	SA
...4	R1	2002-001115	R-COMPOSITION;1.5Mohm,5%,1/2W,AA,TP,4x12	1	SA
...4	PRS13	2003-000994	R-METAL OXIDE(S);33Kohm,5%,2W,AF,TP,3.9x	2	SA
...4	CFFB1	2301-000412	C-FILM,LEAD-PEF;22nF,10%,50V,TP,7.5x10x3	1	SA
...4	CY5	2305-001016	C-FILM,LEAD-PEF;10nF,10%,630V,TP,12.5x6.	1	SNA
...4	C	2401-000038	C-AL;470uF,20%,25V,GP,TP,10x12.5mm,	1	SNA
...4	C	2401-000360	C-AL;100uF,20%,50V,GP,TP,8x11.5,5	1	SA
...4	C	2401-000970	C-AL;22uF,20%,50V,WT,TP,5x11,5	1	SA
...4	PC9	2401-001355	C-AL;470uF,20%,10V,GP,TP,8x11.5mm,5mm	1	SA
...4	C	2401-003139	C-AL;1000uF,20%,25V,WT,TP,10*20,5mm	2	SA
...4	PES34	2401-003480	C-AL;1000UF,20%,10V,LZ,TP,10X16MM,5	1	SA
...4	BD707	3301-000297	BEAD-AXIAL;25ohm,3.6x1.2x5.7mm,-,TP,-,-,	3	SNA
...4		3601-001496	FUSE-RADIAL LEAD;250V,5A,TIME DELAY,RESI	1	SNA
...4	JP21	3811-001868	WIRE-NO SHEATH CU;SnCuFe,52mm,GRY	17	SNA
...4		6042-000001	EYELET;ID2.2,OD2.7,L3.1,NI+SN,BSP3-1/2H	4	SNA
...4		6042-000002	EYELET;ID1.5,OD2,L2.8,NI+SN,BSP3-1/2H	20	SNA
...4	PLS31	AC27-12001N	COIL CHOKE;RA,10%,Q80,150KHZ,BK	1	SA



Level	Loc.	Part Code	Description & Specification	Qty.	SA/SNA
...4		AH97-07926A	ASSY SMD-SMPS;E3E4E5 ZF RU,HIGH,AH94-028	1	SNA
....5		0202-001477	SOLDER-CREAM;LST309-M,D20~45um,96.5Sn/3A	0	SNA
....5	D1	0401-001099	DIODE-SWITCHING;1N4148WS,75V,150mA,SOD-3	3	SA
....5	PPD1	0402-000309	DIODE-RECTIFIER;1SR154-400,400V,1A,SOD-1	3	SA
....5	D0254	0402-000511	DIODE-SCHOTTKY;SS14,40V,1000MA,DO-214AC,	1	SNA
....5		0403-001062	DIODE-ZENER;UDZSNP4.7B,4.55/4.75V,200mW,	1	SA
....5	VD11	0403-001083	DIODE-ZENER;UDZSNP9.1B,8.85/9.23V,200mW,	1	SNA
....5	D0254	0404-001314	DIODE-SCHOTTKY;B260A,60V,2000mA,SMA,TP	1	SNA
....5	KQ6	0501-000341	TR-SMALL SIGNAL;KSC1623-L,NPN,200mW,SOT-	1	SA
....5	AQ7	0504-000128	TR-DIGITAL;FJV3103R,NPN,200mW,22K/22Kohm	1	SA
....5		1203-007144	IC-DC/DC CONVERTER;TPS54331D,SOIC8,8P,4.	1	SA
....5	R401	2007-000034	R-CHIP;1ohm,5%,1/4W,TP,3216	1	SNA
....5	PR4	2007-000052	R-CHIP;10Kohm,1%,1/10W,TP,1608	1	SA
....5	AR30	2007-000074	R-CHIP;100ohm,5%,1/10W,TP,1608	1	SA
....5	RR2	2007-000075	R-CHIP;220ohm,5%,1/10W,TP,1608	1	SA
....5	AR150	2007-000078	R-CHIP;1Kohm,5%,1/10W,TP,1608	1	SA
....5	R331	2007-000079	R-CHIP;1.8Kohm,5%,1/10W,TP,1608	1	SA
....5	FAR22	2007-000082	R-CHIP;3.3Kohm,5%,1/10W,TP,1608	1	SNA
....5	CER04	2007-000084	R-CHIP;4.7Kohm,5%,1/10W,TP,1608	1	SA
....5	R637	2007-000096	R-CHIP;30Kohm,5%,1/10W,TP,1608	1	SA
....5	ARR2	2007-000102	R-CHIP;100Kohm,5%,1/10W,TP,1608	1	SA
....5	MR33	2007-000133	R-CHIP;330Kohm,5%,1/10W,TP,1608	3	SA
....5	R15	2007-000134	R-CHIP;33Kohm,5%,1/10W,TP,1608	2	SNA
....5	R1035	2007-000287	R-CHIP;100ohm,1%,1/10W,TP,1608	1	SNA
....5		2007-000303	R-CHIP;10Kohm,5%,1/4W,TP,3216	1	SA
....5	AAR11	2007-000312	R-CHIP;10ohm,5%,1/4W,TP,3216	1	SA
....5	KR7	2007-000402	R-CHIP;150ohm,5%,1/10W,TP,1608	1	SA
....5	MR9	2007-000455	R-CHIP;18Kohm,1%,1/10W,TP,1608	1	SA
....5		2007-000575	R-CHIP;220ohm,5%,1/4W,TP,3216	1	SA
....5	AR28	2007-000683	R-CHIP;3.3Kohm,1%,1/10W,TP,1608	2	SA
....5		2007-000883	R-CHIP;4.7ohm,5%,1/4W,TP,3216	1	SA
....5	HR10	2007-000962	R-CHIP;5.1Kohm,1%,1/10W,TP,1608	1	SA
....5	R858	2007-001007	R-CHIP;51Kohm,1%,1/10W,TP,1608	1	SA
....5		2007-001096	R-CHIP;62Kohm,1%,1/10W,TP,1608	1	SNA
....5	VR88	2007-001116	R-CHIP;680ohm,1%,1/10W,TP,1608	1	SA
....5	R3301	2007-001433	R-CHIP;12Kohm,1%,1/10W,TP,1608	1	SA
....5		2007-008661	R-CHIP;2.1Kohm,1%,1/10W,TP,1608	1	SA
....5	C212	2203-000440	C-CER,CHIP;1nF,10,50V,X7R,TP,1608	1	SA
....5	AD480	2203-000818	C-CER,CHIP;0.033nF,5%,50V,C0G,TP,2012	1	SA
....5	AC124	2203-000998	C-CER,CHIP;0.047nF,5%,50V,C0G,TP,1608	2	SA

Exploded Views and Parts List

Level	Loc.	Part Code	Description & Specification	Qty.	SA/SNA
....5	AVC08	2203-002398	C-CER,CHIP;22nF,10%,50V,X7R,TP,1608	1	SNA
....5	C745	2203-005171	C-CER,CHIP;1000nF,10%,16V,X7R,TP,2012	1	SNA
....5	AAC1	2203-005249	C-CER,CHIP;100nF,10%,50V,X7R,TP,1608	4	SA
....5	C24	2203-005565	C-CER,CHIP;1nF,5%,50V,C0G,TP,1608	2	SA
....5	C125	2203-006361	C-CER,CHIP;10000nF,10%,10V,X5R,TP,2012	1	SC
....5	AD480	2203-006698	C-CER,CHIP;1000nF,10%,25V,X7R,TP,1608,0.	2	SNA
....5		AH41-01476A	PCB POWER;HT-E4500/5300/5500,CEM-1,1,1.6	1	SNA
.2	FL06	AH96-01477G	ASSY CABLE P;HT-E5500,FFC,110mm,5P,1mm P	1	SA
.2	T001A	AH96-01607B	ASSY COVER P-TOP;HT-E5500,W/W,ABS+PMMA,B	1	SA
..3	T001	AH63-02527B	COVER-TOP;HT-E5500,ABS+PMMA,HB,BK0007	1	SNA
...4		0103-005096	RESIN-ABS;HAM 8560,98055,2.0mm HB	425	SNA
..3		AH63-02605A	SHEET-INSULATOR;BDP,HTS COMMON,PC,0.5,W1	1	SNA
..3		AK63-00838E	SHEET-PROTECTION TOP;HT-E5500,PET 0.048T	0	SNA
.2		AH96-01622A	ASSY BOARD P-RF-MODULE;Bluetooth Module,	1	SA
.2		AK59-00138A	NETWORK-WLAN MODULE;DNUB-S234B,BCM43234B	1	SA
1	ACCE1	AH92-03957H	ASSY ACCESSORY;HT-E5500,EN,BHE5	1	SNA
.2	REMO2	AH59-02404A	REMOCON;TM1251,55KEY,3V,BD HTS, HT-ES620	1	SA
.2		AH96-00051C	ASSY MISC P-IPOD CRADLE;SJ11-01-045A,89X	1	SA
.2	ACCE4	AH96-01575H	ASSY ACCESSORY-MANUAL;HT-E5500,EN,BHE5	1	SNA
..3		AH68-02438E	MANUAL;HT-E5500,EN_1,ENG/FR/DE/IT,MOJO80	1	SNA
..3		AH68-02438F	MANUAL;HT-E5500,EN_2,POL/HUN/SK/CZ/SLV,M	1	SNA
..3		BN68-03548H	LEAFLET-01,WARRANTY CARD;comm,Samsung,16	1	SNA
.2		AH96-01629A	ASSY SPEAKER P-SUBWOOFER;3ohm,HT-E5500,E	1	SA
..3		AH81-05888A	SPEAKER-CUSHION_SW_TOP;PS-C5530,345*210m	2	SNA
..3		AH82-00310A	A/S ASSY-SUBWOOFER;AV SPK,FOR HT-E5500,S	1	SNA
...4		AH81-07364A	LABEL;AV SPK,LABEL,PS-EW2-1 Subwoofer,Vi	1	SNA
...4		AH81-07365A	SPEAKER-PE-BAG;PE-BAG,PE,560 x 630 x 0.5	1	SNA
...4		AH82-00311A	A/S ASSY-SUBWOOFER;AV SPK,FOR HT-E5500,S	1	SNA
....5	T0081	6002-001294	SCREW-TAPPING;BH,+,,M4,L16,ZPC(BLK)	6	SA
....5		AH61-03097A	FRAME-NET;PS-C450,HIPS,PS-WC450,NET FRAM	1	SNA
....5		AH64-05243A	PANEL FRONT-W0;W0 SUBWOOFER,ABS,3mm,154.	1	SNA
....5	ASP02	AH81-03376A	SPEAKER-DUCT FRAME;FRAME DUCT,FOR SUBWOO	2	SNA
....5		AH81-04855Q	SPEAKER-CABLE;AV SPK,AWG 24, 4M,PULPLE P	1	SA
....5		AH81-05983A	SPEAKER-PAPER DUCT;PAPER DUCT,64.5*60.5*	1	SNA
....5	PS325	AH81-06808A	SPEAKER-WOOFER UNIT;PS-C9950W,SUBWOOFER,	1	SNA
....5		AH81-07054B	SPEAKER-ENCLOSURE BOARD;Enclosure Board	1	SNA
....5		AH81-07055B	SPEAKER-FRONT BOARD;DW1 Front Board,12t,	1	SNA
....5		AH81-07056B	SPEAKER-BACK BOARD;DW1 BACK Board,12t,fo	1	SNA
....5		AH81-07366A	SPEAKER-TRIANGLE BOARD;TRIANGLE BOARD,9t	4	SNA
....5		AH81-07377A	BOND-WOOD;AV SPK,Wood Bond,Subwoofer,Com	11	SNA

Level	Loc.	Part Code	Description & Specification	Qty.	SA/SNA
....5		AH81-07378A	BOND-PVC;AV SPK,PVC Bond,Subwoofer,Commo	10	SNA
....5		AH81-07379A	BOND-HOT MELT;AV SPK,Hot Melt,Subwoofer,	7	SNA
....5		AH81-07515A	A/S PART-SPEAKER FOOT;FOOT_SW,SILICON,RO	4	SNA
.2		AH96-01633A	ASSY SPEAKER P-SATELLITE;3ohm,HT-E5500,5	1	SNA
..3		AH69-03612A	CUSHION-SATELLITE-TOP;AV SPK, PS-E5500,E	1	SNA
..3		AH69-03613A	CUSHION-SATELLITE-MID;AV SPK, PS-E5500,E	1	SNA
..3		AH69-03614A	CUSHION-SATELLITE-BTM;AV SPK, PS-E5500,E	1	SNA
..3		AH82-00312A	A/S ASSY-SATELLITE;AV SPK,FOR HT-E5500,F	1	SA
...4		AH81-07358A	LABEL;AV SPK,LABEL,PS-ES4-1 Front Left,W	1	SNA
..3		AH82-00314A	A/S ASSY-SATELLITE;AV SPK,FOR HT-E5500,F	1	SA
...4		AH81-07359A	LABEL;AV SPK,LABEL,PS-ES4-1 Front Right,	1	SNA
...4		AH81-07362A	SPEAKER-PE-BAG;PE-BAG,LDPE,190 x 316 x 0	1	SNA
...4		AH82-00313A	A/S ASSY-SATELLITE;AV SPK,FOR HT-E5500,F	1	SNA
....5	F001	AH63-02076A	COVER-FRONT;PS-C330,ABS,3.0T,BLACK,S3 SP	1	SNA
....6		0103-005096	RESIN-ABS;HAM 8560,98055,2.0mm HB	170	SNA
....5		AH64-05258A	PANEL-REAR;PS-C330,HIPS,3.0T,BLACK,S3 SP	1	SNA
....6		0103-004631	RESIN-HIPS;HF-1690H,K21294,BK0007,1.5mm	15	SNA
....5		AH82-00315A	A/S ASSY-NETWORK;AV SPK,FOR HT-E5500,Net	1	SNA
....6		AH81-07425C	SPEAKER-CABLE;AV SPK,AWG 24, 140mm,Front	1	SNA
..3		AH82-00316A	A/S ASSY-SATELLITE;AV SPK,FOR HT-E5500,C	1	SA
...4		AH81-07360A	LABEL;AV SPK,LABEL,PS-EC2-1 Center,Green	1	SNA
...4		AH81-07363A	SPEAKER-PE-BAG;PE-BAG,LDPE,170 x 460 x 0	1	SNA
..4		AH82-00317A	A/S ASSY-SATELLITE;AV SPK,FOR HT-E5500,C	1	SNA
....5		AH59-02444A	SPEAKER SYSTEM-WOOFER;AV SPK,11L043,EC3-	2	SNA
....5		AH59-02445A	SPEAKER SYSTEM-TWEETER;AV SPK,U016L03SSK	1	SNA
....5	M0112	AH63-02079A	COVER-FRONT C1;PS-DC1,ABS,3.0T,BLACK,C1	1	SNA
....5		AH64-05260A	PANEL-REAR DC1;PS-DC1,HIPS,3.0T,BLACK,C1	1	SNA
....5		AH82-00315B	A/S ASSY-NETWORK;AV SPK,FOR HT-E5500,Net	1	SNA
....6	H001	AH81-05535C	SPEAKER-SHRINK TUBE;Insulator pipe,part	2	SNA
....6		AH81-07423A	SPEAKER-NETWORK COIL;AV SPK,Network Coil	1	SNA
....6		AH81-07435A	SPEAKER-NETWORK CONDENSER;AV SPK,Network	1	SNA
....6		AH81-07445A	SPEAKER-CABLE;AV SPK,AWG 24, 300/50mm,Ce	1	SNA
....6		AH81-07446A	SPEAKER-SPONGE;AV SPK,800 x 25 x 3T	1	SNA
..3		AH82-00318A	A/S ASSY-SATELLITE;AV SPK,FOR HT-E5500,R	1	SA
...4		AH81-07355A	LABEL;AV SPK,LABEL,PS-ES3-1 Rear Left,BI	1	SNA
..3		AH82-00320A	A/S ASSY-SATELLITE;AV SPK,FOR HT-E5500,R	1	SA
...4		AH81-07354A	SPEAKER-PE-BAG;PE-BAG,LDPE,190 x 250 x 0	1	SNA
...4		AH81-07356A	LABEL;AV SPK,LABEL,PS-ES3-1 Rear Right,G	1	SNA
...4		AH82-00319A	A/S ASSY-SATELLITE;AV SPK,FOR HT-E5500,R	1	SNA
....5	W391	6003-000275	SCREW-TAPTYPE;BH,+,B,M3,L10,ZPC(BLK),SWR	7	SA

Exploded Views and Parts List

Level	Loc.	Part Code	Description & Specification	Qty.	SA/SNA
....5		AH59-02443A	SPEAKER SYSTEM-WOOFER;AV SPK,11L036,ES3-	1	SNA
....5	M0112	AH63-02073A	COVER-FRONT DS2;PS-DS2,ABS,3.0T,BLACK,S2	1	SNA
....5		AH64-05257A	PANEL-REAR DS2;PS-DS2,HIPS,3.0T,BLACK,S2	1	SNA
....5	H001	AH81-01988A	SPEAKER-HOLE CAP;PS-X250,COVER-PLATE,FOR	2	SNA
....5		AH81-04849A	SPEAKER-SILICON FOOT;AV SPK,Silicon Foot	2	SNA
....5		AH81-07339A	SPEAKER-EVA;AV SPK,FOR HT-E350,EVA,200 X	3	SNA
....5		AH81-07357A	SPEAKER-CABLE;AV SPK,AWG 24, 85mm,Front	1	SNA
....5		AH81-07447A	SPEAKER-TERMINAL;AV SPK,TERMINAL,24X14mm	1	SNA
...3		AH82-00332A	A/S ASSY-SPEAKER CABLE;AV SPK,Speaker Ca	1	SNA
...4	SWFR4	AH81-05321A	SPEAKER-WIRE-FRONT RIGHT;PS-X725,4M*2PIN	1	SA
...4	SWFL4	AH81-05322A	SPEAKER-WIRE-FRONT LEFT;PS-X725,4M*2PIN	1	SA
...4	SWRR10	AH81-05323A	SPEAKER-WIRE-REAR RIGHT;PS-X725,10M*2PIN	1	SA
...4	SWRL10	AH81-05324A	SPEAKER-WIRE-REAR LEFT;PS-X725,10M*2PIN	1	SA
...4	SWCE4	AH81-05325A	SPEAKER-WIRE-CENTER;PS-X725,3M*2PIN CLEA	1	SA
...4		AH81-07426A	SPEAKER-PE-BAG;PE-BAG, With 5.1ch Cable,1	1	SNA
.2	ACCE2	AH96-01767B	ASSY ACCESSORY-CABLE;HT-E5500,EN,BHE5	1	SNA
...3	VS062	3301-000144	CORE-FERRITE;34.5x12.5x32.5mm,1500,2800G	1	SNA
...3	T0685	4301-000116	BATTERY-ALKALINE;1.5V,R03,10.5x44.5mm,AA	2	SNA
...3	T0524	6902-000287	BAG PE;LDPE,T0.05,W100,L120,TRP,0.000688	1	SNA
...3	C-AUDI	AH39-40001V	CBF CABLE-VIDEO;-,-,1P-1P,3000mm,-,-,Y	1	SA
...3	M0025	AH42-00021A	ANT FM T;T18011F-1,75 ohm,1800mm	1	SA
...3		AH63-02236A	SHEET-BAG;MM-C330,LDPE,0.05,260,370,NTR	1	SNA
...3		AH68-02438G	MANUAL;HT-E5500,EN_3,GRE/ROM/BUL/SER/CRO	1	SNA
...3	T0527	BN68-00513A	LABEL-E,PASS;ALL MODEL,YUPO(110G),50X15,	1	SNA
1		AH92-03958D	ASSY LABEL;HT-E55**,EUROPE,BHE5	1	SNA
.2		AH68-02427B	LABEL-POP STAND;HT-E5500/ZF,SEF,ART PAPE	1	SNA
.2		AH68-02432A	LABEL-POP TRANSPARANT STICKER;HT-E5500/Z	1	SNA
.2		AK68-01986B	LABEL RATING-01;BD-D,WW,PET 0.05,50,23.5	1	SNA
1		AH92-04049A	ASSY BOX;HT-E5500	1	SNA
.2		AH68-01981M	LABEL-BOX;ALL MODEL,ALL BUYER,heat sensi	1	SNA
.2		AH68-02519A	LABEL-BD PRODUCT;HT-E5500/ZA,SEA,PAPER,W	1	SNA
.2		AH69-03533B	BOX-SET;HT-E5500/ZF,CB,DW2,0203(A1),DW2,	1	SNA
1		AH92-04059A	ASSY P/MATERIAL;HT-E5200/5500	1	SNA
.2		AH69-03503A	CUSHION-SET;HT-E5500,EPS,1.67g/l,white	1	SNA
.2		AK63-00435B	SHEET-NITRON;BD-C5300/XAA,NITRON,0.5,630	1	SNA
.2	T0527	BH68-40364A	LABEL-SUMMARY;G52,G72,ART,100G,WHT,BLK,W	1	SNA
.2		BN63-08890E	COVER-SHEET NITRON;LE22D450,PE,T2.0,1100	1	SNA
.2		BN63-09096A	COVER-PALLET FOIL;32D550,PE,T0.03,2000,2	1	SNA
.2	T0527	BN68-00129A	LABEL SHIPPING-00;LABEL SHIPPING,ART-PAP	1	SNA
.2		BN69-00257P	PACKING-SHEET PALLET;-,-,CB,PEP110/HD,-,12	1	SNA

Level	Loc.	Part Code	Description & Specification	Qty.	SA/SNA
.2		BN69-05567B	PALLET-WOODEN;LE22D460,WOOD,1100,1260,13	1	SNA
.2		BN69-05929A	WRAP STRETCH FILM;All,LDPE,0.0066,440,42	2	SNA
.2		BN69-06915A	PAD PACKING-EDGE;LE37D467,CB,T3,W35x35,L	1	SNA
.2		BN81-02321A	BAG-AIR;LIGHT FLEX PLASTIK,PE WHITE,L120	1	SNA
.2		HA83-00057B	LP-TAPE-CELLULOSE;,HA02-030010,T0,046,W7	1	SNA