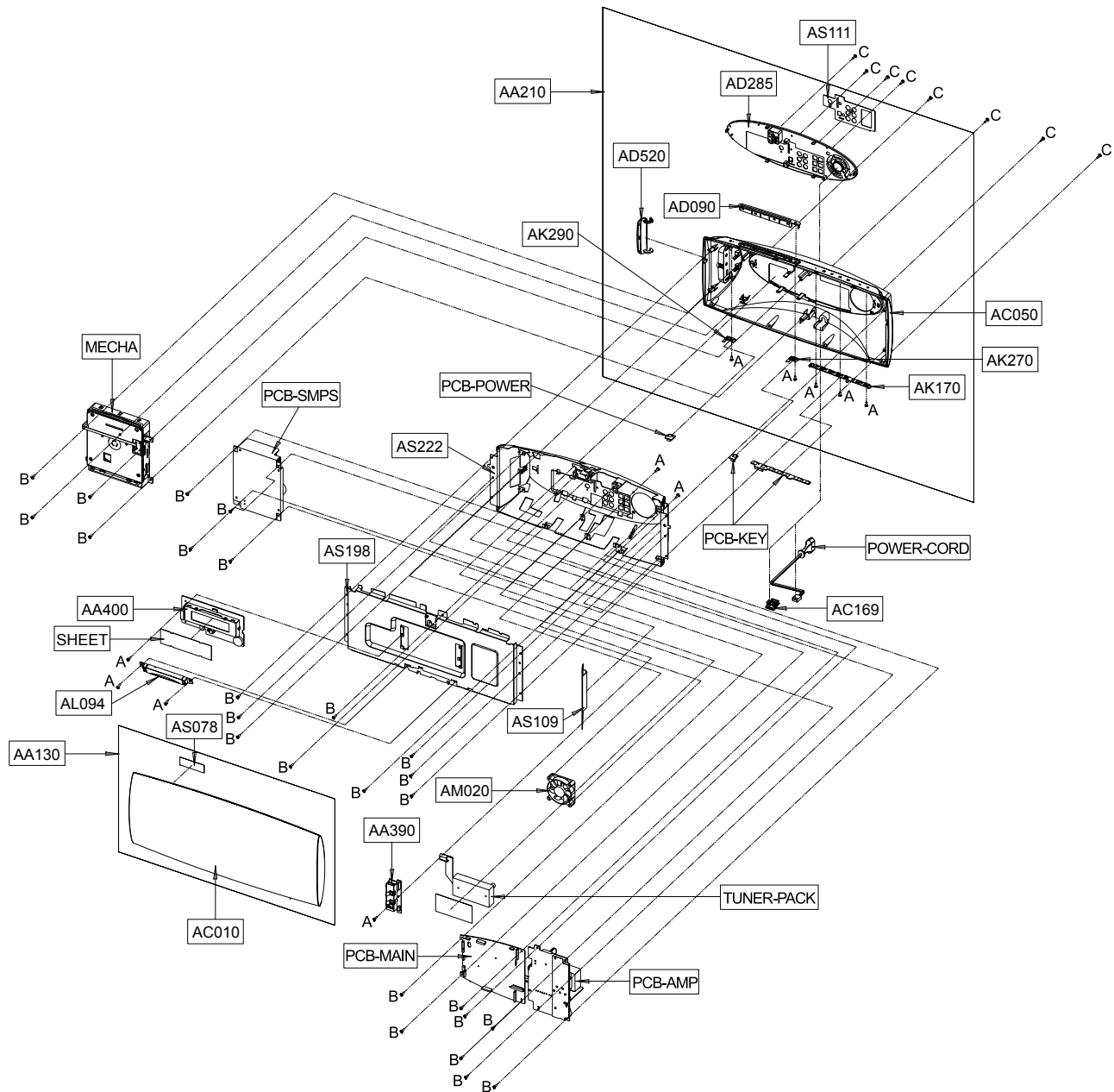

5. Exploded View & Part List

5-1	HT-A100T/XEF Exploded View	5-2
5-2	HT-XA100T/XEF Exploded View	5-4
5-3	HT-A100 Speaker System	5-6
5-4	HT-XA100 Speaker System.....	5-7
5-5	HT-A100T/XEF Electrical Part List	5-8
5-6	HT-XA100T/XEF Electrical Part List.....	5-20

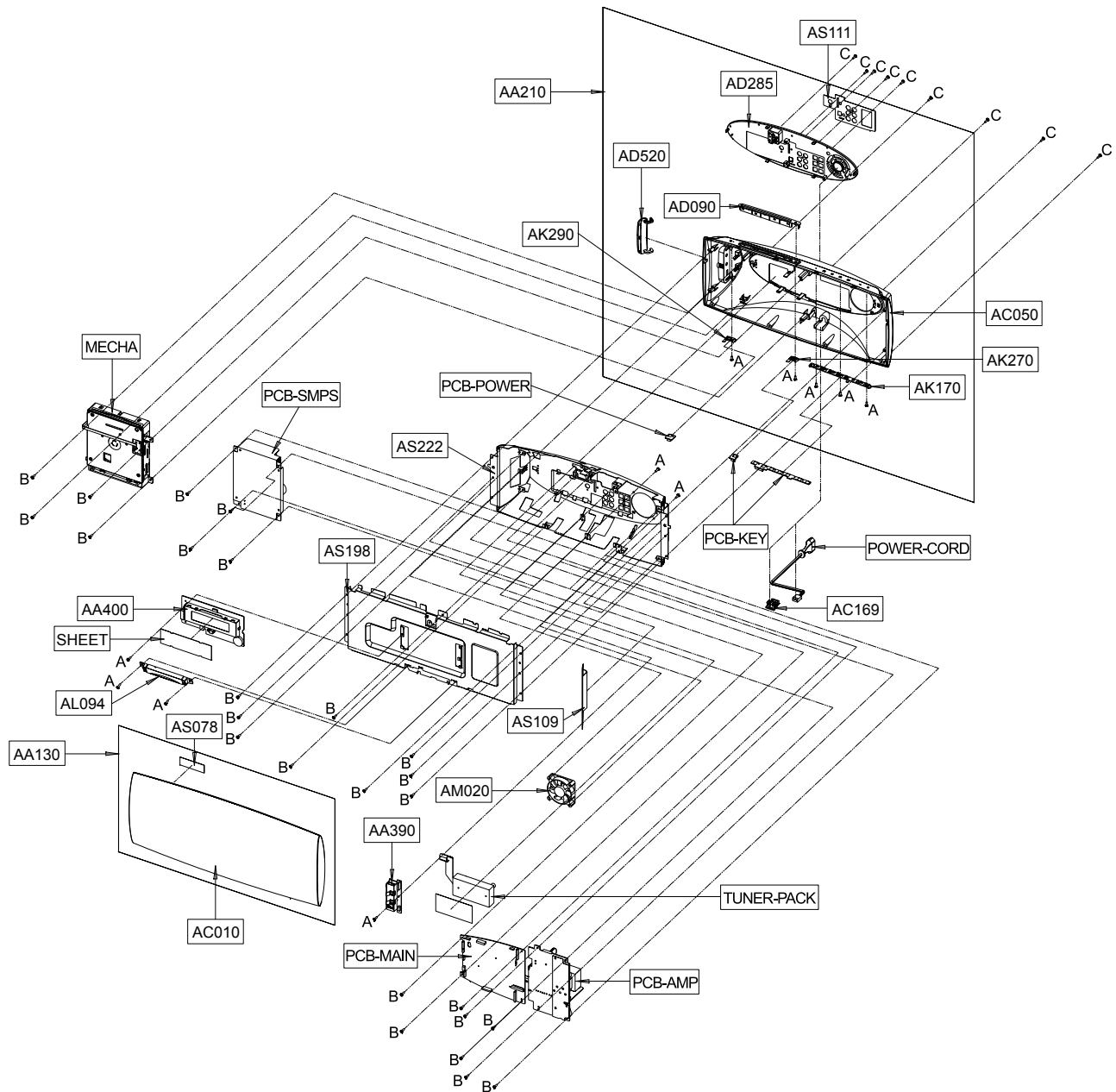
5-1 HT-A100T/XEF Exploded View



Part List

Loc. No.	Code No.	Description;Specification	Q'ty	SNA	Remark
AA130	AH97-02577B	ASSY-FRONT;HT-A100/EXP,-	1	SA	
AA210	AH97-02574C	ASSY-REAR;HT-A100/CIS,-	1	SA	
AA390	AH81-04174A	A/S PART-USB;HT-A100,-,-,-,-,-	1	SA	
AA400	AH81-04173A	A/S PART-VFD;HT-A100,-,-,-,-,-	1	SA	
AC010	AH64-04491B	CABINET-FRONT;HT-A100,ABS+PMMA,-,-,-,-,B	1	SA	
AC050	AH64-04490C	CABINET-REAR;HT-A100,ABS+PMMA,-,-,-,-,BL	1	SNA	
AC169	AH63-01546A	COVER-AC CORD;HT-A100,ABS,T2.5,W24.2,L20	1	SA	
AD090	AH64-04492A	DECORATION-CD;HT-A100,ABS,T1.6,W8.2,L149	1	SA	
AD285	AH64-04493A	DECORATION-REAR;HT-A100,ABS,T2.5,W97.5,L	1	SA	
AD520	AH64-04494A	DOOR-USB;HT-A100,ABS,T3.5,-,W12.4,L84.5	1	SA	
AK170	AH64-04497A	KNOB-FUNCTION;HT-A100,ABS+PC,T1.5,W16.3,	1	SA	
AK270	AH64-04495A	KNOB-OPEN;HT-A100,ABS,T1.5,W17.55,L15.87	1	SA	
AK290	AH64-04496A	KNOB-POWER;HT-A100,ABS+PC,T1.5,W17.3,L19	1	SA	
AL094	AH67-00478A	LENS-LIGHTING;HT-TX500,PMMA,ice blue,-,-	1	SA	
AM020	AH31-00029E	MOTOR FAN;C161NK10B0110,MX-GT88,0.15A,-,	1	SA	
AS078	AH63-01636A	SHEET-FRONT;HT-A100,PC,T0.2,W30,L50,BLK,	1	SNA	
AS109	AH63-01596A	SHEET-SIDE;HT-A100,PC,T0.5,W32,L158,-,-	1	SNA	
AS111	AH63-01549B	SHEET-REAR;HT-A100/EXP,TETRON,0.3T,-,-,B	1	SNA	
AS198	AH63-01548A	SHIELD-FRONT;HT-A100,SECC,T0.8,W169.4,L4	1	SA	
AS222	AH63-01547A	SHIELD-REAR;HT-A100,SECC,T0.8,W440,L177,	1	SA	
MECHA	AH59-01773A	DECK-MECHA DVD;VSH-L33D-0826,-,MAGNET,31	1	SA	
PCB-AMP	AH92-02863D	ASSY PCB-AMP EUROPE;HT-A100 AMP ASSY, E	1	SA	
PCB-KEY	AH92-02831A	ASSY PCB-KEY;HT-XA100 KEY PCB,EXPOXY,2LA	1	SA	
PCB-MAIN	AH92-02862D	ASSY PCB-MAIN EUROPE;HT-A100 MAIN PCB -E	1	SA	
PCB-POWER	AH92-02866A	ASSY PCB-POWER KEY;HT-A100 POWER KEY PCB	1	SA	
PCB-SMPS	AH44-00174A	SMPS;HT-A100,ORTP-688,QRC,-,110V~22	1	SA	
POWER-CORD	AH39-00257A	CBF-POWER CORD;Z-88,-,CP2,250V,2.5A,1830	1	SA	
SHEET	AH63-01558A	SHEET-FILTER;HT-A100,PC,T0.3,W36,L126,-,	1	SNA	
TUNER-PACK	AH40-00108A	TUNER-PACK;KST-ML004FA0-H53,HT-P1200,FM,	1	SA	
A	6003-001375	SCREW-TAPTITE;BH,+,-,B,M3,L8,ZPC(WHT),SW	11	SNA	
B	6003-001464	SCREW-TAPTITE;BH,+,-,B,M3,L10,ZPC(WHT)	25	SNA	
C	6003-000275	SCREW-TAPTITE;BH,+,-,B,M3,L10,ZPC(BLK),S	8	SA	

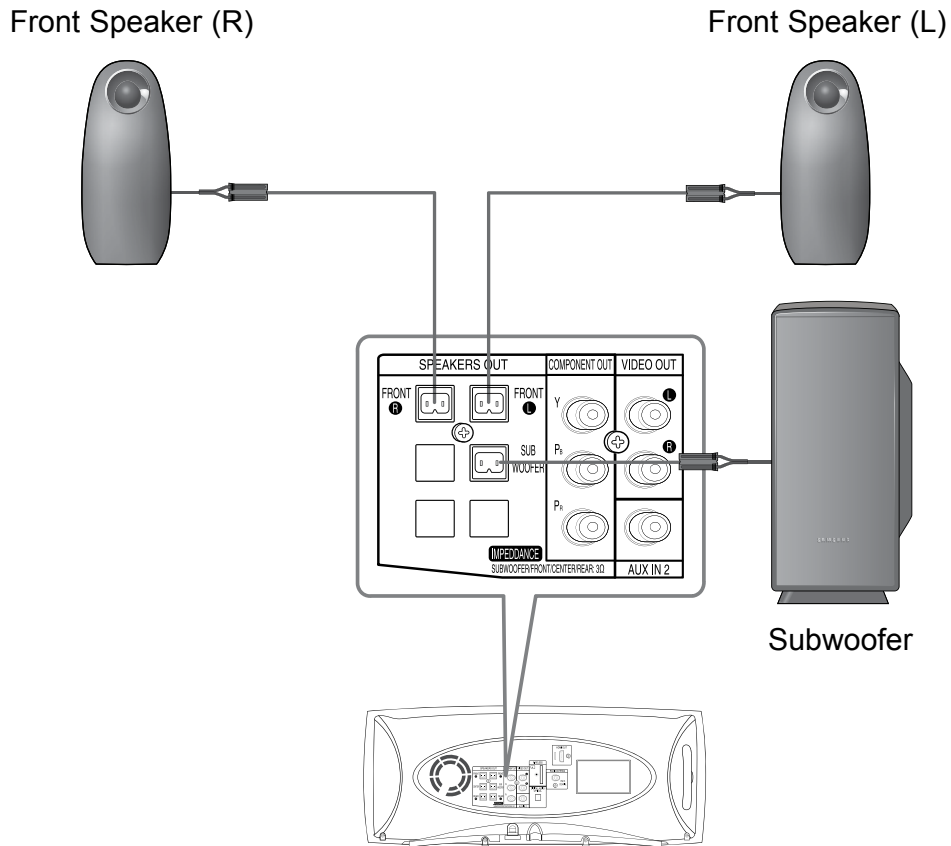
5-2 HT-XA100T/XEF Exploded View



Part List

Loc. No.	Code No.	Description; Specification	Q'ty	SNA	Remark
AA130	AH97-02577B	ASSY-FRONT;HT-A100/EXP,-	1	SA	
AA210	AH97-02574F	ASSY-REAR;HT-XA100,-	1	SA	
AA390	AH81-04174A	A/S PART-USB;HT-A100,-,-,-,-,-	1	SA	
AA400	AH81-04173A	A/S PART-VFD;HT-A100,-,-,-,-,-	1	SA	
AC010	AH64-04491B	CABINET-FRONT;HT-A100,ABS+PMMA,-,-,-,-,B	1	SA	
AC050	AH64-04490D	CABINET-REAR;HT-XA100,ABS+PMMA,-,-,-,-,B	1	SA	
AC169	AH63-01546A	COVER-AC CORD;HT-A100,ABS,T2.5,W24.2,L20	1	SA	
AD090	AH64-04492A	DECORATION-CD;HT-A100,ABS,T1.6,W8.2,L149	1	SA	
AD285	AH64-04493A	DECORATION-REAR;HT-A100,ABS,T2.5,W97.5,L	1	SA	
AD520	AH64-04494A	DOOR-USB;HT-A100,ABS,T3.5,-,W12.4,L84.5	1	SA	
AK170	AH64-04497A	KNOB-FUNCTION;HT-A100,ABS+PC,T1.5,W16.3,	1	SA	
AK270	AH64-04495A	KNOB-OPEN;HT-A100,ABS,T1.5,W17.55,L15.87	1	SA	
AK290	AH64-04496A	KNOB-POWER;HT-A100,ABS+PC,T1.5,W17.3,L19	1	SA	
AL094	AH67-00478A	LENS-LIGHTING;HT-TX500,PMMA,ice blue,-,-	1	SA	
AM020	AH31-00029E	MOTOR FAN;C161NK10B0110,MX-GT88,0.15A,-,	1	SA	
AS078	AH63-01636A	SHEET-FRONT;HT-A100,PC,T0.2,W30,L50,BLK,	1	SNA	
AS109	AH63-01596A	SHEET-SIDE;HT-A100,PC,T0.5,W32,L158,-,-	1	SNA	
AS111	AH63-01549D	SHEET-REAR;HT-XA100/EXP,TETRON,T0.3,-,-,	1	SA	
AS198	AH63-01548A	SHIELD-FRONT;HT-A100,SECC,T0.8,W169.4,L4	1	SA	
AS222	AH63-01547A	SHIELD-REAR;HT-A100,SECC,T0.8,W440,L177,	1	SA	
MECHA	AH59-01773A	DECK-MECHA DVD;VSH-L33D-0826,-,MAGNET,31	1	SA	
PCB-AMP	AH92-02832F	ASSY PCB-AMP-EUROPE;HT-XA100 AMP PCB,EXP	1	SA	
PCB-KEY	AH92-02831A	ASSY PCB-KEY;HT-XA100 KEY PCB,EXPOXY,2LA	1	SA	
PCB-MAIN	AH92-02830F	ASSY PCB-MAIN-EURPOE;HT-XA100 MAIN PCB,E	1	SA	
PCB-POWER	AH92-02866A	ASSY PCB-POWER KEY;HT-A100 POWER KEY PCB	1	SA	
PCB-SMPS	AH44-00174A	SMPS;HT-A100,ORTP-688,QRC,-,110V~22	1	SA	
POWER-CORD	AH39-00257A	CBF-POWER CORD;Z-88,-,CP2,250V,2.5A,1830	1	SA	
SHEET	AH63-01558A	SHEET-FILTER;HT-A100,PC,T0.3,W36,L126,-,	1	SNA	
TUNER-PACK	AH40-00108A	TUNER-PACK;KST-ML004FA0-H53,HT-P1200,FM,	1	SA	
A	6003-001375	SCREW-TAPTITE;BH,+,-,B,M3,L8,ZPC(WHT),SW	11	SNA	
B	6003-001464	SCREW-TAPTITE;BH,+,-,B,M3,L10,ZPC(WHT)	25	SNA	
C	6003-000275	SCREW-TAPTITE;BH,+,-,B,M3,L10,ZPC(BLK),S	9	SA	

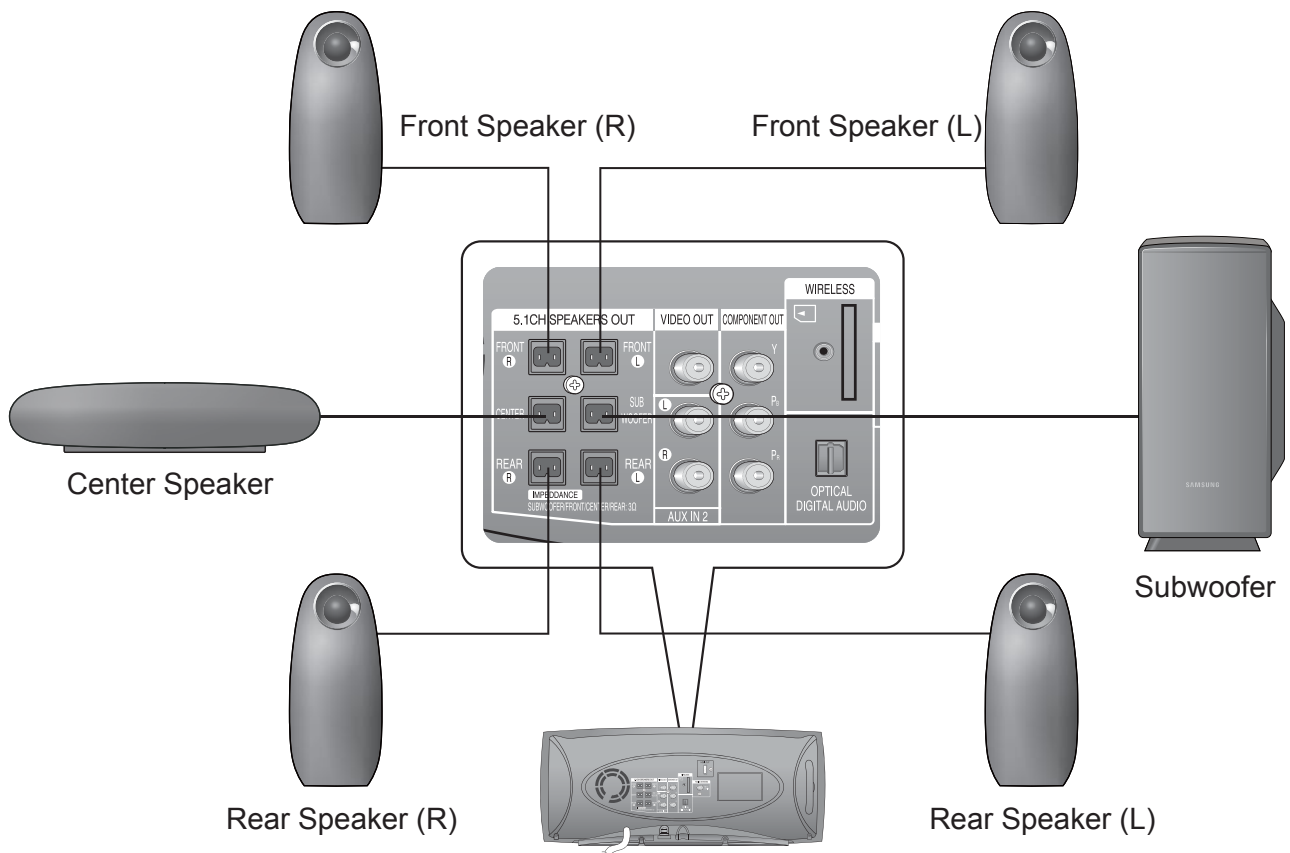
5-3 HT-A100 Speaker System



Part List

Loc. No.	Code No.	Description;Specification	Q'ty	SNA	Remark
Front Speaker (R/L)	AH81-04166A	AUDIO-RECEIVER;PS-A100,FRONT SPEAKER SYSTEM,A/S PART,-,-,-,-	2	SA	
Subwoofer	AH81-04167A	AUDIO-RECEIVER;PS-WA100,FOR PS-A100,SUBWOOFER SPEAKER,-,-,-,-	1	SA	
Speaker Wire	AH81-02183E	SPEAKER-CORD ASS'Y;PS-Q100,SPK CORD ASS'Y,Only for 2.1CH,-,-,-,-	1	SA	

5-4 HT-XA100 Speaker System



Part List

Loc. No.	Code No.	Description;Specification	Q'ty	SNA	Remark
Front Speaker (R/L)	AH81-04166A	AUDIO-RECEIVER;PS-A100,FRONT SPEAKER SYSTEM,A/S PART,-,-,-,-	2	SA	
Center Speaker	AH81-04166B	SPEAKER;PS-XA100,CENTER SPEAKER,BUMJIN CO.,LTD.,-,-,-,-	1	SA	
Rear Speaker (R/L)	AH81-04166C	SPEAKER;PS-XA100,REAR SPEAKER,BUMJIN CO.,LTD.,-,-,-,-	2	SA	
Subwoofer	AH81-04167A	AUDIO-RECEIVER;PS-WA100,FOR PS-A100,SUBWOOFER SPEAKER,-,-,-,-	1	SA	
Speaker Wire	AH81-02177B	SPEAKER;PS-Q20,SPK CORD,CONNECTOR,FRONT/SUB W/F:4M,CENTER:3M,REAR:10M,TOTAL,35M(6 PCS),OD:1.8*3.6(11*0.16),EXCEPT KOREA	1	SA	

Loc. No.	Part No.	Description;Specification	Q'ty	SNA	Remark	Loc. No.	Part No.	Description;Specification	Q'ty	SNA	Remark
	AH44-00174A	SMPS;HT-A100,ORTP-688,QRC,-,110V~22	1	SA		AMR22	2007-000072	R-CHIP;47ohm,5%,1/10W,TP,1608	1	SA	
	AH59-01773A	DECK-MECHA DVD;VSH-L33D-0826,-,MAGN	1	SA		AMR23	2007-000052	R-CHIP;10Kohm,1%,1/10W,TP,1608	1	SA	
	AH81-04174A	A/S PART-USB;HT-A100,-,-,-,-,-	1	SA		AMR24	2007-000052	R-CHIP;10Kohm,1%,1/10W,TP,1608	1	SA	
	AH99-10012A	ASSY PCB-KEY,m;HT-XA100 KEY PCB,EXP	1	SNA		AMR25	2007-000097	R-CHIP;47Kohm,5%,1/10W,TP,1608	1	SA	
	AH92-02862D	ASSY PCB-MAIN EUROPE;HT-A100 MAIN P	1	SA		AMR26	2007-000094	R-CHIP;22Kohm,5%,1/10W,TP,1608	1	SA	
AC10	2402-000130	C-AL,SMD;2.2uF,20%,50V,GP,TP,4.3x4.	1	SA		AMR27	2007-000094	R-CHIP;22Kohm,5%,1/10W,TP,1608	1	SA	
AC11	2203-005148	C-CER,CHIP;100nF,10%,16V,X7R,TP,160	1	SA		AMR28	2007-000052	R-CHIP;10Kohm,1%,1/10W,TP,1608	1	SA	
AC12	2203-005148	C-CER,CHIP;100nF,10%,16V,X7R,TP,160	1	SA		AMR29	2007-000052	R-CHIP;10Kohm,1%,1/10W,TP,1608	1	SA	
AC13	2402-000008	C-AL,SMD;47uF,20%,16V,GP,TP,6.6x6.6	1	SA		AMR3	2007-000072	R-CHIP;47ohm,5%,1/10W,TP,1608	1	SA	
AC14	2402-000008	C-AL,SMD;47uF,20%,16V,GP,TP,6.6x6.6	1	SA		AMR30	2007-002425	R-CHIP;1ohm,5%,1/10W,TP,1608	1	SA	
AC15	2203-000491	C-CER,CHIP;2.2nF,10%,50V,X7R,1608	1	SA		AMR31	2007-000052	R-CHIP;10Kohm,1%,1/10W,TP,1608	1	SA	
AC16	2203-000491	C-CER,CHIP;2.2nF,10%,50V,X7R,1608	1	SA		AMR32	2007-000094	R-CHIP;22Kohm,5%,1/10W,TP,1608	1	SA	
AC17	2402-001049	C-AL,SMD;10uF,20%,16V,GP,TP,3.3x3.3	1	SA		AMR33	2007-000116	R-CHIP;120ohm,5%,1/10W,TP,1608	1	SA	
AC18	2203-005148	C-CER,CHIP;100nF,10%,16V,X7R,TP,160	1	SA		AMR34	2007-000072	R-CHIP;47ohm,5%,1/10W,TP,1608	1	SA	
AC19	2402-001049	C-AL,SMD;10uF,20%,16V,GP,TP,3.3x3.3	1	SA		AMR35	2007-000109	R-CHIP;1Mohm,5%,1/10W,TP,1608	1	SA	
AC2	2402-000130	C-AL,SMD;2.2uF,20%,50V,GP,TP,4.3x4.	1	SA		AMR36	2007-000113	R-CHIP;33ohm,5%,1/10W,TP,1608	1	SA	
AC20	2402-000008	C-AL,SMD;47uF,20%,16V,GP,TP,6.6x6.6	1	SA		AMR37	2007-000094	R-CHIP;22Kohm,5%,1/10W,TP,1608	1	SA	
AC21	2402-000008	C-AL,SMD;47uF,20%,16V,GP,TP,6.6x6.6	1	SA		AMR38	2007-000074	R-CHIP;100ohm,5%,1/10W,TP,1608	1	SA	
AC22	2203-005148	C-CER,CHIP;100nF,10%,16V,X7R,TP,160	1	SA		AMR39	2007-000074	R-CHIP;100ohm,5%,1/10W,TP,1608	1	SA	
AC25	2203-002398	C-CER,CHIP;22nF,10%,50V,X7R,1608	1	SA		AMR4	2007-000072	R-CHIP;47ohm,5%,1/10W,TP,1608	1	SA	
AC26	2203-005148	C-CER,CHIP;100nF,10%,16V,X7R,TP,160	1	SA		AMR40	2007-000074	R-CHIP;100ohm,5%,1/10W,TP,1608	1	SA	
AC27	2203-005148	C-CER,CHIP;100nF,10%,16V,X7R,TP,160	1	SA		AMR41	2007-000074	R-CHIP;100ohm,5%,1/10W,TP,1608	1	SA	
AC28	2203-005148	C-CER,CHIP;100nF,10%,16V,X7R,TP,160	1	SA		AMR47	2007-000072	R-CHIP;47ohm,5%,1/10W,TP,1608	1	SA	
AC29	2402-001042	C-AL,SMD;100uF,20%,16V,GP,TP,6.6x6.6	1	SA		AMR48	2007-000072	R-CHIP;47ohm,5%,1/10W,TP,1608	1	SA	
AC3	2402-000130	C-AL,SMD;2.2uF,20%,50V,GP,TP,4.3x4.	1	SA		AMR49	2007-000072	R-CHIP;47ohm,5%,1/10W,TP,1608	1	SA	
AC30	2203-005148	C-CER,CHIP;100nF,10%,16V,X7R,TP,160	1	SA		AMR5	2007-000072	R-CHIP;47ohm,5%,1/10W,TP,1608	1	SA	
AC31	2203-005148	C-CER,CHIP;100nF,10%,16V,X7R,TP,160	1	SA		AMR50	2007-000072	R-CHIP;47ohm,5%,1/10W,TP,1608	1	SA	
AC32	2402-001049	C-AL,SMD;10uF,20%,16V,GP,TP,3.3x3.3	1	SA		AMR53	2007-000072	R-CHIP;47ohm,5%,1/10W,TP,1608	1	SA	
AC33	2402-001049	C-AL,SMD;10uF,20%,16V,GP,TP,3.3x3.3	1	SA		AMR6	2007-000072	R-CHIP;47ohm,5%,1/10W,TP,1608	1	SA	
AC34	2203-005148	C-CER,CHIP;100nF,10%,16V,X7R,TP,160	1	SA		AMR7	2007-000052	R-CHIP;10Kohm,1%,1/10W,TP,1608	1	SA	
AC7	2402-000130	C-AL,SMD;2.2uF,20%,50V,GP,TP,4.3x4.	1	SA		AMR8	2007-000052	R-CHIP;10Kohm,1%,1/10W,TP,1608	1	SA	
AC8	2402-000130	C-AL,SMD;2.2uF,20%,50V,GP,TP,4.3x4.	1	SA		AMR9	2007-000052	R-CHIP;10Kohm,1%,1/10W,TP,1608	1	SA	
AC9	2402-000130	C-AL,SMD;2.2uF,20%,50V,GP,TP,4.3x4.	1	SA		AR1	2007-000086	R-CHIP;5.6Kohm,5%,1/10W,TP,1608	1	SA	
ACN10	3708-002403	CONNECTOR-FPC/FFC/PIC;23P,1mm,SMD-S	1	SA		AR19	2007-000074	R-CHIP;100ohm,5%,1/10W,TP,1608	1	SA	
AD7	3301-001495	BEAD-SMD;120ohm,2012,2500mA,TP,115o	1	SA		AR2	2007-000102	R-CHIP;100Kohm,5%,1/10W,TP,1608	1	SA	
AIC1	1002-001548	IC-A/D CONVERTER;CS5345,24,LQFP,48P	1	SA		AR24	2007-000074	R-CHIP;100ohm,5%,1/10W,TP,1608	1	SA	
AL1	3301-001495	BEAD-SMD;120ohm,2012,2500mA,TP,115o	1	SA		AR25	2007-000074	R-CHIP;100ohm,5%,1/10W,TP,1608	1	SA	
AL2	3301-001495	BEAD-SMD;120ohm,2012,2500mA,TP,115o	1	SA		AR28	2007-000076	R-CHIP;330ohm,5%,1/10W,TP,1608	1	SA	
AL3	3301-001495	BEAD-SMD;120ohm,2012,2500mA,TP,115o	1	SA		AR3	2007-000102	R-CHIP;100Kohm,5%,1/10W,TP,1608	1	SA	
AL4	3301-001495	BEAD-SMD;120ohm,2012,2500mA,TP,115o	1	SA		AR30	2007-000074	R-CHIP;100ohm,5%,1/10W,TP,1608	1	SA	
AL6	3301-001495	BEAD-SMD;120ohm,2012,2500mA,TP,115o	1	SA		AR31	2007-000074	R-CHIP;100ohm,5%,1/10W,TP,1608	1	SA	
AMR1	2007-000309	R-CHIP;10ohm,5%,1/10W,TP,1608	1	SA		AR32	2007-000078	R-CHIP;1Kohm,5%,1/10W,TP,1608	1	SA	
AMR10	2007-000052	R-CHIP;10Kohm,1%,1/10W,TP,1608	1	SA		AR37	2007-000074	R-CHIP;100ohm,5%,1/10W,TP,1608	1	SA	
AMR11	2007-000052	R-CHIP;10Kohm,1%,1/10W,TP,1608	1	SA		AR38	2007-000074	R-CHIP;100ohm,5%,1/10W,TP,1608	1	SA	
AMR12	2007-000072	R-CHIP;47ohm,5%,1/10W,TP,1608	1	SA		AR39	2007-000074	R-CHIP;100ohm,5%,1/10W,TP,1608	1	SA	
AMR13	2007-000052	R-CHIP;10Kohm,1%,1/10W,TP,1608	1	SA		AR4	2007-000086	R-CHIP;5.6Kohm,5%,1/10W,TP,1608	1	SA	
AMR14	2007-000113	R-CHIP;33ohm,5%,1/10W,TP,1608	1	SA		AVC01	2402-001049	C-AL,SMD;10uF,20%,16V,GP,TP,3.3x3.3	1	SA	
AMR15	2007-000097	R-CHIP;47Kohm,5%,1/10W,TP,1608	1	SA		AVC02	2203-005148	C-CER,CHIP;100nF,10%,16V,X7R,TP,160	1	SA	
AMR16	2007-000052	R-CHIP;10Kohm,1%,1/10W,TP,1608	1	SA		AVC03	2203-005819	C-CER,CHIP;1000nF,+80-20%,16V,Y5V,-	1	SA	
AMR17	2007-000113	R-CHIP;33ohm,5%,1/10W,TP,1608	1	SA		AVC04	2402-001049	C-AL,SMD;10uF,20%,16V,GP,TP,3.3x3.3	1	SA	
AMR18	2007-000097	R-CHIP;47Kohm,5%,1/10W,TP,1608	1	SA		AVC05	2203-005819	C-CER,CHIP;1000nF,+80-20%,16V,Y5V,-	1	SA	
AMR19	2007-000097	R-CHIP;47Kohm,5%,1/10W,TP,1608	1	SA		AVC06	2203-005819	C-CER,CHIP;1000nF,+80-20%,16V,Y5V,-	1	SA	
AMR2	2007-000309	R-CHIP;10ohm,5%,1/10W,TP,1608	1	SA		AVC07	2203-005819	C-CER,CHIP;1000nF,+80-20%,16V,Y5V,-	1	SA	
AMR20	2007-000070	R-CHIP;0ohm,5%,1/10W,TP,1608	1	SA		AVC08	2203-005148	C-CER,CHIP;100nF,10%,16V,X7R,TP,160	1	SA	
AMR21	2007-000070	R-CHIP;0ohm,5%,1/10W,TP,1608	1	SA		AVC09	2203-005148	C-CER,CHIP;100nF,10%,16V,X7R,TP,160	1	SA	
						AVC10	2402-001042	C-AL,SMD;100uF,20%,16V,GP,TP,6.6x6.6	1	SA	

Exploded View & Part List

Loc. No.	Part No.	Description;Specification	Q'ty	SNA	Remark	Loc. No.	Part No.	Description;Specification	Q'ty	SNA	Remark
HMR2	2007-000075	R-CHIP;220ohm,5%,1/10W,TP,1608	1	SA		HR5	2007-000078	R-CHIP;1Kohm,5%,1/10W,TP,1608	1	SA	
HMR3	2007-000075	R-CHIP;220ohm,5%,1/10W,TP,1608	1	SA		HR6	2007-000097	R-CHIP;47Kohm,5%,1/10W,TP,1608	1	SA	
HMR4	2007-000102	R-CHIP;100Kohm,5%,1/10W,TP,1608	1	SA		HR7	2007-000084	R-CHIP;4.7Kohm,5%,1/10W,TP,1608	1	SA	
HMR5	2007-000102	R-CHIP;100Kohm,5%,1/10W,TP,1608	1	SA		HR8	2007-000084	R-CHIP;4.7Kohm,5%,1/10W,TP,1608	1	SA	
HMR6	2007-000102	R-CHIP;100Kohm,5%,1/10W,TP,1608	1	SA		HR9	2007-000084	R-CHIP;4.7Kohm,5%,1/10W,TP,1608	1	SA	
HPC1	2203-005148	C-CER,CHIP;100nF,10%,16V,X7R,TP,160	1	SA		JCNO1	3710-002593	SOCKET-BOARD TO BOARD;28P,2R,1mm,SM	1	SA	
HPC10	2402-000008	C-AL,SMD;47uF,20%,16V,GP,TP,6.6x6.6	1	SA		JIC01	1204-001978	IC-VIDEO PROCESS;LA73054,-,36P,-,SS	1	SA	
HPC11	2402-000008	C-AL,SMD;47uF,20%,16V,GP,TP,6.6x6.6	1	SA		JL01	3301-001495	BEAD-SMD;120ohm,2012,2500mA,TP,115o	1	SA	
HPC12	2203-000236	C-CER,CHIP;0.1nF,5%,50V,C0G,1608	1	SA		JL02	2703-002238	INDUCTOR-SMD;1UH,5%,2012	1	SA	
HPC13	2203-000236	C-CER,CHIP;0.1nF,5%,50V,C0G,1608	1	SA		JL03	2703-002238	INDUCTOR-SMD;1UH,5%,2012	1	SA	
HPC14	2402-001042	C-AL,SMD;100uF,20%,16V,GP,TP,6.6x6.6	1	SA		JL04	2703-002238	INDUCTOR-SMD;1UH,5%,2012	1	SA	
HPC15	2402-001042	C-AL,SMD;100uF,20%,16V,GP,TP,6.6x6.6	1	SA		JL05	2703-002238	INDUCTOR-SMD;1UH,5%,2012	1	SA	
HPC16	2203-000998	C-CER,CHIP;0.047nF,5%,50V,C0G,1608	1	SA		MB01	3301-001495	BEAD-SMD;120ohm,2012,2500mA,TP,115o	1	SA	
HPC17	2203-000998	C-CER,CHIP;0.047nF,5%,50V,C0G,1608	1	SA		MB02	3301-001495	BEAD-SMD;120ohm,2012,2500mA,TP,115o	1	SA	
HPC18	2203-000998	C-CER,CHIP;0.047nF,5%,50V,C0G,1608	1	SA		MB03	3301-001495	BEAD-SMD;120ohm,2012,2500mA,TP,115o	1	SA	
HPC2	2203-000531	C-CER,CHIP;2.7nF,10%,50V,X7R,1608	1	SA		MB04	3301-001069	BEAD-SMD;120ohm,1.6x0.8x0.8mm,200mA	1	SA	
HPC21	2203-000236	C-CER,CHIP;0.1nF,5%,50V,C0G,1608	1	SA		MB07	3301-001495	BEAD-SMD;120ohm,2012,2500mA,TP,115o	1	SA	
HPC22	2203-000236	C-CER,CHIP;0.1nF,5%,50V,C0G,1608	1	SA		MB08	3301-001495	BEAD-SMD;120ohm,2012,2500mA,TP,115o	1	SA	
HPC23	2203-000998	C-CER,CHIP;0.047nF,5%,50V,C0G,1608	1	SA		MB10	3301-001495	BEAD-SMD;120ohm,2012,2500mA,TP,115o	1	SA	
HPC26	2203-000236	C-CER,CHIP;0.1nF,5%,50V,C0G,1608	1	SA		MC01	2402-001096	C-AL,SMD;220UF,20%,16V,GP,TP,6.6X6.6	1	SA	
HPC27	2203-000236	C-CER,CHIP;0.1nF,5%,50V,C0G,1608	1	SA		MC02	2203-005148	C-CER,CHIP;100nF,10%,16V,X7R,TP,160	1	SA	
HPC28	2203-000236	C-CER,CHIP;0.1nF,5%,50V,C0G,1608	1	SA		MC03	2203-005148	C-CER,CHIP;100nF,10%,16V,X7R,TP,160	1	SA	
HPC29	2203-000236	C-CER,CHIP;0.1nF,5%,50V,C0G,1608	1	SA		MC04	2203-005148	C-CER,CHIP;100nF,10%,16V,X7R,TP,160	1	SA	
HPC3	2203-000236	C-CER,CHIP;0.1nF,5%,50V,C0G,1608	1	SA		MC05	2203-000280	C-CER,CHIP;0.01nF,0.5pF,50V,C0G,160	1	SA	
HPC4	2203-000257	C-CER,CHIP;10nF,10%,50V,X7R,TP,1608	1	SA		MC06	2203-000280	C-CER,CHIP;0.01nF,0.5pF,50V,C0G,160	1	SA	
HPC5	2203-000531	C-CER,CHIP;2.7nF,10%,50V,X7R,1608	1	SA		MC07	2402-001096	C-AL,SMD;220UF,20%,16V,GP,TP,6.6X6.6	1	SA	
HPC6	2203-000236	C-CER,CHIP;0.1nF,5%,50V,C0G,1608	1	SA		MC08	2203-005148	C-CER,CHIP;100nF,10%,16V,X7R,TP,160	1	SA	
HPD5	0401-001090	DIODE-SWITCHING;1SS355,80V,100MA,SO	1	SA		MC09	2203-005148	C-CER,CHIP;100nF,10%,16V,X7R,TP,160	1	SA	
HPD6	0401-001090	DIODE-SWITCHING;1SS355,80V,100MA,SO	1	SA		MC10	2203-005148	C-CER,CHIP;100nF,10%,16V,X7R,TP,160	1	SA	
HPIC1	1201-000163	IC-OP AMP;4560,SOP,8P,173MIL,DUAL,1	1	SA		MC100	2203-000189	C-CER,CHIP;100nF,+80-20%,25V,Y5V,16	1	SA	
HPL1	2703-000275	INDUCTOR-SMD;33UH,10%,2012	1	SA		MC101	2402-000008	C-AL,SMD;47uF,20%,16V,GP,TP,6.6x6.6	1	SA	
HPL10	2703-000404	INDUCTOR-SMD;220uH,10%,3225	1	SA		MC11	2203-005148	C-CER,CHIP;100nF,10%,16V,X7R,TP,160	1	SA	
HPL11	2703-000404	INDUCTOR-SMD;220uH,10%,3225	1	SA		MC12	2402-000136	C-AL,SMD;22uF,20%,16V,GP,TP,5.3x5.3	1	SA	
HPL2	3301-000314	BEAD-SMD;120ohm,1.6x0.8x0.8mm,-,-,-	1	SA		MC13	2203-000236	C-CER,CHIP;0.1nF,5%,50V,C0G,1608	1	SA	
HPL3	2703-000275	INDUCTOR-SMD;33UH,10%,2012	1	SA		MC14	2203-001126	C-CER,CHIP;0.68nF,10%,50V,X7R,1608	1	SA	
HPL4	3301-000314	BEAD-SMD;120ohm,1.6x0.8x0.8mm,-,-,-	1	SA		MC15	2203-000257	C-CER,CHIP;10nF,10%,50V,X7R,TP,1608	1	SA	
HQ1	0504-000128	TR-DIGITAL,-,NPN,200MW,22K/22K,SOT-	1	SA		MC16	2402-000136	C-AL,SMD;22uF,20%,16V,GP,TP,5.3x5.3	1	SA	
HQ2	0505-000110	FET-SILICON;2N7002,N,60V,115mA,7.5o	1	SA		MC17	2203-001652	C-CER,CHIP;470nF,+80-20%,16V,Y5V,16	1	SA	
HQ3	0505-000110	FET-SILICON;2N7002,N,60V,115mA,7.5o	1	SA		MC18	2203-000257	C-CER,CHIP;10nF,10%,50V,X7R,TP,1608	1	SA	
HR1	2007-000074	R-CHIP;100ohm,5%,1/10W,TP,1608	1	SA		MC19	2203-001652	C-CER,CHIP;470nF,+80-20%,16V,Y5V,16	1	SA	
HR10	2007-000729	R-CHIP;300ohm,5%,1/10W,TP,1608	1	SA		MC20	2203-000257	C-CER,CHIP;10nF,10%,50V,X7R,TP,1608	1	SA	
HR11	2007-000074	R-CHIP;100ohm,5%,1/10W,TP,1608	1	SA		MC21	2402-001049	C-AL,SMD;10uF,20%,16V,GP,TP,3.3x3.3	1	SA	
HR12	2007-000074	R-CHIP;100ohm,5%,1/10W,TP,1608	1	SA		MC22	2203-001126	C-CER,CHIP;0.68nF,10%,50V,X7R,1608	1	SA	
HR13	2007-000503	R-CHIP;2.2ohm,5%,1/10W,TP,1608	1	SA		MC23	2203-005148	C-CER,CHIP;100nF,10%,16V,X7R,TP,160	1	SA	
HR14	2007-000503	R-CHIP;2.2ohm,5%,1/10W,TP,1608	1	SA		MC24	2402-000136	C-AL,SMD;22uF,20%,16V,GP,TP,5.3x5.3	1	SA	
HR15	2007-000503	R-CHIP;2.2ohm,5%,1/10W,TP,1608	1	SA		MC25	2203-005148	C-CER,CHIP;100nF,10%,16V,X7R,TP,160	1	SA	
HR16	2007-000503	R-CHIP;2.2ohm,5%,1/10W,TP,1608	1	SA		MC26	2203-005148	C-CER,CHIP;100nF,10%,16V,X7R,TP,160	1	SA	
HR17	2007-000503	R-CHIP;2.2ohm,5%,1/10W,TP,1608	1	SA		MC27	2402-000136	C-AL,SMD;22uF,20%,16V,GP,TP,5.3x5.3	1	SA	
HR18	2007-000503	R-CHIP;2.2ohm,5%,1/10W,TP,1608	1	SA		MC28	2203-005148	C-CER,CHIP;100nF,10%,16V,X7R,TP,160	1	SA	
HR19	2007-000503	R-CHIP;2.2ohm,5%,1/10W,TP,1608	1	SA		MC29	2203-005148	C-CER,CHIP;100nF,10%,16V,X7R,TP,160	1	SA	
HR2	2007-000074	R-CHIP;100ohm,5%,1/10W,TP,1608	1	SA		MC30	2203-005148	C-CER,CHIP;100nF,10%,16V,X7R,TP,160	1	SA	
HR20	2007-000503	R-CHIP;2.2ohm,5%,1/10W,TP,1608	1	SA		MC31	2203-005148	C-CER,CHIP;100nF,10%,16V,X7R,TP,160	1	SA	
HR21	2007-000070	R-CHIP;0ohm,5%,1/10W,TP,1608	1	SA		MC32	2203-000440	C-CER,CHIP;1nF,10%,50V,X7R,1608	1	SA	
HR22	2007-000070	R-CHIP;0ohm,5%,1/10W,TP,1608	1	SA		MC33	2203-005148	C-CER,CHIP;100nF,10%,16V,X7R,TP,160	1	SA	
HR23	2007-000084	R-CHIP;4.7Kohm,5%,1/10W,TP,1608	1	SA		MC34	2203-000236	C-CER,CHIP;0.1nF,5%,50V,C0G,1608	1	SA	
HR26	2007-000075	R-CHIP;220ohm,5%,1/10W,TP,1608	1	SA		MC35	2203-005148	C-CER,CHIP;100nF,10%,16V,X7R,TP,160	1	SA	
HR27	2007-000077	R-CHIP;470ohm,5%,1/10W,TP,1608	1	SA		MC37	2203-000280	C-CER,CHIP;0.01nF,0.5pF,50V,C0G,160	1	SA	
HR3	2007-000084	R-CHIP;4.7Kohm,5%,1/10W,TP,1608	1	SA		MC38	2203-002398	C-CER,CHIP;22nF,10%,50V,X7R,1608	1	SA	
HR4	2007-000084	R-CHIP;4.7Kohm,5%,1/10W,TP,1608	1	SA							

Loc. No.	Part No.	Description;Specification	Q'ty	SNA	Remark	Loc. No.	Part No.	Description;Specification	Q'ty	SNA	Remark
MC39	2402-000136	C-AL,SMD;22uF,20%,16V,GP,TP,5.3x5.3	1	SA		MIC6	1103-001333	IC-EEPROM;24C08A,1Kx8Bit,SOP,8P,5x4	1	SA	
MC42	2203-005065	C-CER,CHIP;100nF,+80-20%,10V,Y5V,1	1	SA		ML15	3301-001495	BEAD-SMD;120ohm,2012,2500mA,TP,115o	1	SA	
MC43	2203-000888	C-CER,CHIP;4.7nF,10%,50V,X7R,1608	1	SA		ML20	3301-001495	BEAD-SMD;120ohm,2012,2500mA,TP,115o	1	SA	
MC44	2203-000440	C-CER,CHIP;1nF,10%,50V,X7R,1608	1	SA		ML43	3301-001495	BEAD-SMD;120ohm,2012,2500mA,TP,115o	1	SA	
MC45	2203-000257	C-CER,CHIP;10nF,10%,50V,X7R,TP,1608	1	SA		ML44	3301-001495	BEAD-SMD;120ohm,2012,2500mA,TP,115o	1	SA	
MC46	2203-005015	C-CER,CHIP;150nF,+80-20%,16V,Y5V,16	1	SA		ML45	3301-001495	BEAD-SMD;120ohm,2012,2500mA,TP,115o	1	SA	
MC47	2203-001086	C-CER,CHIP;0.0050nF,0.25pF,50V,NP0,	1	SA		ML46	3301-001495	BEAD-SMD;120ohm,2012,2500mA,TP,115o	1	SA	
MC48	2203-005148	C-CER,CHIP;100nF,10%,16V,X7R,TP,160	1	SA		ML47	3301-001495	BEAD-SMD;120ohm,2012,2500mA,TP,115o	1	SA	
MC49	2203-005148	C-CER,CHIP;100nF,10%,16V,X7R,TP,160	1	SA		ML48	3301-001495	BEAD-SMD;120ohm,2012,2500mA,TP,115o	1	SA	
MC51	2203-005148	C-CER,CHIP;100nF,10%,16V,X7R,TP,160	1	SA		ML5	3301-001495	BEAD-SMD;120ohm,2012,2500mA,TP,115o	1	SA	
MC52	2203-005148	C-CER,CHIP;100nF,10%,16V,X7R,TP,160	1	SA		ML50	3301-001495	BEAD-SMD;120ohm,2012,2500mA,TP,115o	1	SA	
MC53	2203-000681	C-CER,CHIP;0.027nF,5%,50V,COG,1608	1	SA		ML51	3301-001495	BEAD-SMD;120ohm,2012,2500mA,TP,115o	1	SA	
MC54	2203-000646	C-CER,CHIP;0.024NF,5%,50V,COG,TP,16	1	SA		ML52	3301-001069	BEAD-SMD;120ohm,1.6x0.8x0.8mm,200mA	1	SA	
MC55	2203-005148	C-CER,CHIP;100nF,10%,16V,X7R,TP,160	1	SA		ML6	3301-001495	BEAD-SMD;120ohm,2012,2500mA,TP,115o	1	SA	
MC56	2203-005148	C-CER,CHIP;100nF,10%,16V,X7R,TP,160	1	SA		MR01	2007-000094	R-CHIP;22Kohm,5%,1/10W,TP,1608	1	SA	
MC57	2203-005148	C-CER,CHIP;100nF,10%,16V,X7R,TP,160	1	SA		MR02	2007-000087	R-CHIP;6.8Kohm,5%,1/10W,TP,1608	1	SA	
MC58	2203-005148	C-CER,CHIP;100nF,10%,16V,X7R,TP,160	1	SA		MR03	2007-000070	R-CHIP;0ohm,5%,1/10W,TP,1608	1	SA	
MC59	2203-000062	C-CER,CHIP;47nF,+80-20%,50V,Y5V,160	1	SA		MR04	2007-000070	R-CHIP;0ohm,5%,1/10W,TP,1608	1	SA	
MC60	2402-001042	C-AL,SMD;100uF,20%,16V,GP,TP,6.6x6.	1	SA		MR06	2007-000070	R-CHIP;0ohm,5%,1/10W,TP,1608	1	SA	
MC61	2402-001042	C-AL,SMD;100uF,20%,16V,GP,TP,6.6x6.	1	SA		MR07	2007-000070	R-CHIP;0ohm,5%,1/10W,TP,1608	1	SA	
MC62	2203-005148	C-CER,CHIP;100nF,10%,16V,X7R,TP,160	1	SA		MR08	2007-000070	R-CHIP;0ohm,5%,1/10W,TP,1608	1	SA	
MC63	2203-005148	C-CER,CHIP;100nF,10%,16V,X7R,TP,160	1	SA		MR09	2007-000070	R-CHIP;0ohm,5%,1/10W,TP,1608	1	SA	
MC64	2203-005148	C-CER,CHIP;100nF,10%,16V,X7R,TP,160	1	SA		MR10	2007-000070	R-CHIP;0ohm,5%,1/10W,TP,1608	1	SA	
MC65	2402-001042	C-AL,SMD;100uF,20%,16V,GP,TP,6.6x6.	1	SA		MR100	2011-000816	R-NETWORK;100ohm,5%,1/16W,L,CHIP,8P	1	SA	
MC66	2203-005148	C-CER,CHIP;100nF,10%,16V,X7R,TP,160	1	SA		MR101	2007-000074	R-CHIP;100ohm,5%,1/10W,TP,1608	1	SA	
MC67	2203-005148	C-CER,CHIP;100nF,10%,16V,X7R,TP,160	1	SA		MR102	2007-000113	R-CHIP;33ohm,5%,1/10W,TP,1608	1	SA	
MC68	2203-005148	C-CER,CHIP;100nF,10%,16V,X7R,TP,160	1	SA		MR108	2007-000102	R-CHIP;100Kohm,5%,1/10W,TP,1608	1	SA	
MC69	2203-005148	C-CER,CHIP;100nF,10%,16V,X7R,TP,160	1	SA		MR109	2011-000816	R-NETWORK;100ohm,5%,1/16W,L,CHIP,8P	1	SA	
MC70	2203-005148	C-CER,CHIP;100nF,10%,16V,X7R,TP,160	1	SA		MR11	2007-000070	R-CHIP;0ohm,5%,1/10W,TP,1608	1	SA	
MC71	2203-005148	C-CER,CHIP;100nF,10%,16V,X7R,TP,160	1	SA		MR110	2011-000816	R-NETWORK;100ohm,5%,1/16W,L,CHIP,8P	1	SA	
MC72	2203-005148	C-CER,CHIP;100nF,10%,16V,X7R,TP,160	1	SA		MR111	2007-000113	R-CHIP;33ohm,5%,1/10W,TP,1608	1	SA	
MC77	2203-005148	C-CER,CHIP;100nF,10%,16V,X7R,TP,160	1	SA		MR112	2007-000113	R-CHIP;33ohm,5%,1/10W,TP,1608	1	SA	
MC78	2203-005148	C-CER,CHIP;100nF,10%,16V,X7R,TP,160	1	SA		MR113	2007-000113	R-CHIP;33ohm,5%,1/10W,TP,1608	1	SA	
MC79	2203-005148	C-CER,CHIP;100nF,10%,16V,X7R,TP,160	1	SA		MR114	2007-000084	R-CHIP;4.7Kohm,5%,1/10W,TP,1608	1	SA	
MC80	2402-001042	C-AL,SMD;100uF,20%,16V,GP,TP,6.6x6.	1	SA		MR115	2007-000133	R-CHIP;330Kohm,5%,1/10W,TP,1608	1	SA	
MC81	2203-005148	C-CER,CHIP;100nF,10%,16V,X7R,TP,160	1	SA		MR116	2007-000552	R-CHIP;20ohm,5%,1/10W,TP,1608	1	SA	
MC82	2203-005148	C-CER,CHIP;100nF,10%,16V,X7R,TP,160	1	SA		MR117	2007-000552	R-CHIP;20ohm,5%,1/10W,TP,1608	1	SA	
MC83	2203-005148	C-CER,CHIP;100nF,10%,16V,X7R,TP,160	1	SA		MR120	2007-000113	R-CHIP;33ohm,5%,1/10W,TP,1608	1	SA	
MC84	2203-005148	C-CER,CHIP;100nF,10%,16V,X7R,TP,160	1	SA		MR121	2007-000118	R-CHIP;390ohm,5%,1/10W,TP,1608	1	SA	
MC85	2203-005148	C-CER,CHIP;100nF,10%,16V,X7R,TP,160	1	SA		MR122	2007-000070	R-CHIP;0ohm,5%,1/10W,TP,1608	1	SA	
MC87	2203-005148	C-CER,CHIP;100nF,10%,16V,X7R,TP,160	1	SA		MR124	2007-000084	R-CHIP;4.7Kohm,5%,1/10W,TP,1608	1	SA	
MC88	2203-005148	C-CER,CHIP;100nF,10%,16V,X7R,TP,160	1	SA		MR125	2007-000074	R-CHIP;100ohm,5%,1/10W,TP,1608	1	SA	
MC89	2203-005148	C-CER,CHIP;100nF,10%,16V,X7R,TP,160	1	SA		MR126	2007-000074	R-CHIP;100ohm,5%,1/10W,TP,1608	1	SA	
MC90	2402-001049	C-AL,SMD;10uF,20%,16V,GP,TP,3.3x3.3	1	SA		MR127	2007-000074	R-CHIP;100ohm,5%,1/10W,TP,1608	1	SA	
MC91	2402-001049	C-AL,SMD;10uF,20%,16V,GP,TP,3.3x3.3	1	SA		MR128	2007-000113	R-CHIP;33ohm,5%,1/10W,TP,1608	1	SA	
MC92	2203-005148	C-CER,CHIP;100nF,10%,16V,X7R,TP,160	1	SA		MR129	2007-000113	R-CHIP;33ohm,5%,1/10W,TP,1608	1	SA	
MC96	2402-000008	C-AL,SMD;47uF,20%,16V,GP,TP,6.6x6.6	1	SA		MR13	2007-000074	R-CHIP;100ohm,5%,1/10W,TP,1608	1	SA	
MC97	2402-001096	C-AL,SMD;220UF,20%,16V,GP,TP,6.6X6.	1	SA		MR130	2007-000113	R-CHIP;33ohm,5%,1/10W,TP,1608	1	SA	
MC98	2203-005148	C-CER,CHIP;100nF,10%,16V,X7R,TP,160	1	SA		MR131	2007-000084	R-CHIP;4.7Kohm,5%,1/10W,TP,1608	1	SA	
MC99	2402-001049	C-AL,SMD;10uF,20%,16V,GP,TP,3.3x3.3	1	SA		MR132	2007-000090	R-CHIP;10Kohm,5%,1/10W,TP,1608	1	SA	
MD01	0401-001090	DIODE-SWITCHING;1SS355,80V,100MA,SO	1	SA		MR133	2007-000081	R-CHIP;2.7Kohm,5%,1/10W,TP,1608	1	SA	
MD04	0401-001090	DIODE-SWITCHING;1SS355,80V,100MA,SO	1	SA		MR134	2007-000078	R-CHIP;1Kohm,5%,1/10W,TP,1608	1	SA	
MD05	0401-001090	DIODE-SWITCHING;1SS355,80V,100MA,SO	1	SA		MR136	2007-000090	R-CHIP;10Kohm,5%,1/10W,TP,1608	1	SA	
MIC1	1204-002847	IC-PAL/NTSC DECODER;ES8391SCC,LQFP,	1	SA		MR137	2007-000090	R-CHIP;10Kohm,5%,1/10W,TP,1608	1	SA	
MIC10	0801-002391	IC-CMOS LOGIC;74LCX00,NAND GATE,TSS	1	SA		MR14	2007-000074	R-CHIP;100ohm,5%,1/10W,TP,1608	1	SA	
MIC2	1105-001573	IC-DRAM;K4S281632,-128Mbit,8Mx16Bi	1	SA		MR140	2007-000309	R-CHIP;10ohm,5%,1/10W,TP,1608	1	SA	
MIC3	1107-001600	IC-NOR FLASH;MX25L1605A,16Mbit,2Mx8	1	SA		MR141	2007-000309	R-CHIP;10ohm,5%,1/10W,TP,1608	1	SA	
MIC5	0801-002683	IC-CMOS LOGIC;74HCT245,TRANSCEIVER,	1	SA		MR142	2007-000309	R-CHIP;10ohm,5%,1/10W,TP,1608	1	SA	
						MR143	2007-000309	R-CHIP;10ohm,5%,1/10W,TP,1608	1	SA	

Exploded View & Part List

Loc. No.	Part No.	Description;Specification	Q'ty	SNA	Remark	Loc. No.	Part No.	Description;Specification	Q'ty	SNA	Remark
MR144	2007-000309	R-CHIP;10ohm,5%,1/10W,TP,1608	1	SA		MR56	2007-000070	R-CHIP;0ohm,5%,1/10W,TP,1608	1	SA	
MR149	2007-000070	R-CHIP;0ohm,5%,1/10W,TP,1608	1	SA		MR57	2007-000070	R-CHIP;0ohm,5%,1/10W,TP,1608	1	SA	
MR15	2007-000070	R-CHIP;0ohm,5%,1/10W,TP,1608	1	SA		MR58	2007-000070	R-CHIP;0ohm,5%,1/10W,TP,1608	1	SA	
MR150	2007-000070	R-CHIP;0ohm,5%,1/10W,TP,1608	1	SA		MR59	2007-000070	R-CHIP;0ohm,5%,1/10W,TP,1608	1	SA	
MR151	2007-000070	R-CHIP;0ohm,5%,1/10W,TP,1608	1	SA		MR60	2007-000122	R-CHIP;1.2Kohm,5%,1/10W,TP,1608	1	SA	
MR158	2007-000084	R-CHIP;4.7Kohm,5%,1/10W,TP,1608	1	SA		MR61	2007-000078	R-CHIP;1Kohm,5%,1/10W,TP,1608	1	SA	
MR159	2007-000077	R-CHIP;470ohm,5%,1/10W,TP,1608	1	SA		MR62	2007-000122	R-CHIP;1.2Kohm,5%,1/10W,TP,1608	1	SA	
MR16	2007-000090	R-CHIP;10Kohm,5%,1/10W,TP,1608	1	SA		MR63	2007-000078	R-CHIP;1Kohm,5%,1/10W,TP,1608	1	SA	
MR160	2007-000074	R-CHIP;100ohm,5%,1/10W,TP,1608	1	SA		MR64	2007-000074	R-CHIP;100ohm,5%,1/10W,TP,1608	1	SA	
MR161	2007-000076	R-CHIP;330ohm,5%,1/10W,TP,1608	1	SA		MR65	2007-000074	R-CHIP;100ohm,5%,1/10W,TP,1608	1	SA	
MR162	2007-000097	R-CHIP;47Kohm,5%,1/10W,TP,1608	1	SA		MR66	2011-000816	R-NETWORK;100ohm,5%,1/16W,L,CHIP,8P	1	SA	
MR163	2007-000097	R-CHIP;47Kohm,5%,1/10W,TP,1608	1	SA		MR67	2011-000816	R-NETWORK;100ohm,5%,1/16W,L,CHIP,8P	1	SA	
MR166	2007-000097	R-CHIP;47Kohm,5%,1/10W,TP,1608	1	SA		MR68	2011-000816	R-NETWORK;100ohm,5%,1/16W,L,CHIP,8P	1	SA	
MR167	2007-000113	R-CHIP;33ohm,5%,1/10W,TP,1608	1	SA		MR69	2007-000090	R-CHIP;10Kohm,5%,1/10W,TP,1608	1	SA	
MR168	2007-000113	R-CHIP;33ohm,5%,1/10W,TP,1608	1	SA		MR70	2007-000106	R-CHIP;220Kohm,5%,1/10W,TP,1608	1	SA	
MR169	2007-000113	R-CHIP;33ohm,5%,1/10W,TP,1608	1	SA		MR71	2007-000070	R-CHIP;0ohm,5%,1/10W,TP,1608	1	SA	
MR17	2007-000092	R-CHIP;15Kohm,5%,1/10W,TP,1608	1	SA		MR72	2007-000070	R-CHIP;0ohm,5%,1/10W,TP,1608	1	SA	
MR170	2007-000074	R-CHIP;100ohm,5%,1/10W,TP,1608	1	SA		MR76	2007-000084	R-CHIP;4.7Kohm,5%,1/10W,TP,1608	1	SA	
MR171	2007-000074	R-CHIP;100ohm,5%,1/10W,TP,1608	1	SA		MR78	2007-000084	R-CHIP;4.7Kohm,5%,1/10W,TP,1608	1	SA	
MR172	2007-000074	R-CHIP;100ohm,5%,1/10W,TP,1608	1	SA		MR80	2007-000084	R-CHIP;4.7Kohm,5%,1/10W,TP,1608	1	SA	
MR173	2007-000074	R-CHIP;100ohm,5%,1/10W,TP,1608	1	SA		MR83	2007-000084	R-CHIP;4.7Kohm,5%,1/10W,TP,1608	1	SA	
MR174	2007-000113	R-CHIP;33ohm,5%,1/10W,TP,1608	1	SA		MR87	2011-000816	R-NETWORK;100ohm,5%,1/16W,L,CHIP,8P	1	SA	
MR175	2007-000113	R-CHIP;33ohm,5%,1/10W,TP,1608	1	SA		MR88	2007-000090	R-CHIP;10Kohm,5%,1/10W,TP,1608	1	SA	
MR176	2007-000113	R-CHIP;33ohm,5%,1/10W,TP,1608	1	SA		MR89	2007-000113	R-CHIP;33ohm,5%,1/10W,TP,1608	1	SA	
MR179	2007-000070	R-CHIP;0ohm,5%,1/10W,TP,1608	1	SA		MR90	2007-000074	R-CHIP;100ohm,5%,1/10W,TP,1608	1	SA	
MR18	2007-000092	R-CHIP;15Kohm,5%,1/10W,TP,1608	1	SA		MR91	2011-000816	R-NETWORK;100ohm,5%,1/16W,L,CHIP,8P	1	SA	
MR180	2007-000070	R-CHIP;0ohm,5%,1/10W,TP,1608	1	SA		MR92	2007-000074	R-CHIP;100ohm,5%,1/10W,TP,1608	1	SA	
MR181	2007-000074	R-CHIP;100ohm,5%,1/10W,TP,1608	1	SA		MR93	2007-000074	R-CHIP;100ohm,5%,1/10W,TP,1608	1	SA	
MR183	2007-000075	R-CHIP;220ohm,5%,1/10W,TP,1608	1	SA		MR94	2007-000077	R-CHIP;470ohm,5%,1/10W,TP,1608	1	SA	
MR184	2007-000084	R-CHIP;4.7Kohm,5%,1/10W,TP,1608	1	SA		MR95	2011-000816	R-NETWORK;100ohm,5%,1/16W,L,CHIP,8P	1	SA	
MR19	2007-000552	R-CHIP;20ohm,5%,1/10W,TP,1608	1	SA		MR96	2011-000816	R-NETWORK;100ohm,5%,1/16W,L,CHIP,8P	1	SA	
MR20	2007-000552	R-CHIP;20ohm,5%,1/10W,TP,1608	1	SA		MX01	2801-004284	CRYSTAL-SMD;27MHZ,10PPM,28-AAN,20PF	1	SA	
MR22	2007-000078	R-CHIP;1Kohm,5%,1/10W,TP,1608	1	SA		OPR1	3301-001069	BEAD-SMD;120ohm,1.6x0.8x0.8mm,200mA	1	SA	
MR23	2007-000078	R-CHIP;1Kohm,5%,1/10W,TP,1608	1	SA		OPR10	3301-001069	BEAD-SMD;120ohm,1.6x0.8x0.8mm,200mA	1	SA	
MR24	2007-000098	R-CHIP;56Kohm,5%,1/10W,TP,1608	1	SA		OPR11	3301-001069	BEAD-SMD;120ohm,1.6x0.8x0.8mm,200mA	1	SA	
MR25	2007-000092	R-CHIP;15Kohm,5%,1/10W,TP,1608	1	SA		OPR12	3301-001069	BEAD-SMD;120ohm,1.6x0.8x0.8mm,200mA	1	SA	
MR26	2007-000130	R-CHIP;39Kohm,5%,1/10W,TP,1608	1	SA		OPR2	3301-001069	BEAD-SMD;120ohm,1.6x0.8x0.8mm,200mA	1	SA	
MR27	2007-000098	R-CHIP;56Kohm,5%,1/10W,TP,1608	1	SA		OPR3	3301-001069	BEAD-SMD;120ohm,1.6x0.8x0.8mm,200mA	1	SA	
MR28	2007-000078	R-CHIP;1Kohm,5%,1/10W,TP,1608	1	SA		OPR4	3301-001069	BEAD-SMD;120ohm,1.6x0.8x0.8mm,200mA	1	SA	
MR29	2007-000070	R-CHIP;0ohm,5%,1/10W,TP,1608	1	SA		OPR5	3301-001069	BEAD-SMD;120ohm,1.6x0.8x0.8mm,200mA	1	SA	
MR30	2007-000070	R-CHIP;0ohm,5%,1/10W,TP,1608	1	SA		OPR6	3301-001069	BEAD-SMD;120ohm,1.6x0.8x0.8mm,200mA	1	SA	
MR31	2007-000070	R-CHIP;0ohm,5%,1/10W,TP,1608	1	SA		OPR7	3301-001069	BEAD-SMD;120ohm,1.6x0.8x0.8mm,200mA	1	SA	
MR32	2007-000070	R-CHIP;0ohm,5%,1/10W,TP,1608	1	SA		OPR8	3301-001069	BEAD-SMD;120ohm,1.6x0.8x0.8mm,200mA	1	SA	
MR41	2007-000070	R-CHIP;0ohm,5%,1/10W,TP,1608	1	SA		OPR9	3301-001069	BEAD-SMD;120ohm,1.6x0.8x0.8mm,200mA	1	SA	
MR42	2007-000070	R-CHIP;0ohm,5%,1/10W,TP,1608	1	SA		PC01	2402-001042	C-AL,SMD;100uF,20%,16V,GP,TP,6.6x6.6	1	SA	
MR43	2007-000081	R-CHIP;2.7Kohm,5%,1/10W,TP,1608	1	SA		PC02	2203-005148	C-CER,CHIP;100nF,10%,16V,X7R,TP,160	1	SA	
MR44	2007-000081	R-CHIP;2.7Kohm,5%,1/10W,TP,1608	1	SA		PC03	2402-001049	C-AL,SMD;10uF,20%,16V,GP,TP,3.3x3.3	1	SA	
MR45	2007-000084	R-CHIP;4.7Kohm,5%,1/10W,TP,1608	1	SA		PC04	2203-005148	C-CER,CHIP;100nF,10%,16V,X7R,TP,160	1	SA	
MR46	2007-000084	R-CHIP;4.7Kohm,5%,1/10W,TP,1608	1	SA		PC05	2402-001198	C-AL,SMD;330UF,20%,6.3V,GP,TP,6.6x6.6	1	SA	
MR47	2007-000113	R-CHIP;33ohm,5%,1/10W,TP,1608	1	SA		PC06	2203-005148	C-CER,CHIP;100nF,10%,16V,X7R,TP,160	1	SA	
MR48	2007-000121	R-CHIP;820ohm,5%,1/10W,TP,1608	1	SA		PC07	2402-001042	C-AL,SMD;100uF,20%,16V,GP,TP,6.6x6.6	1	SA	
MR49	2007-000070	R-CHIP;0ohm,5%,1/10W,TP,1608	1	SA		PC08	2203-005148	C-CER,CHIP;100nF,10%,16V,X7R,TP,160	1	SA	
MR50	2007-000070	R-CHIP;0ohm,5%,1/10W,TP,1608	1	SA		PC11	2402-001042	C-AL,SMD;100uF,20%,16V,GP,TP,6.6x6.6	1	SA	
MR51	2007-000078	R-CHIP;1Kohm,5%,1/10W,TP,1608	1	SA		PC12	2203-005148	C-CER,CHIP;100nF,10%,16V,X7R,TP,160	1	SA	
MR52	2007-000078	R-CHIP;1Kohm,5%,1/10W,TP,1608	1	SA		PC13	2402-001059	C-AL,SMD;220##F,20%,6.3V,-,TP,6x6.6	1	SA	
MR53	2007-000084	R-CHIP;4.7Kohm,5%,1/10W,TP,1608	1	SA		PC14	2203-005148	C-CER,CHIP;100nF,10%,16V,X7R,TP,160	1	SA	
MR54	2007-000070	R-CHIP;0ohm,5%,1/10W,TP,1608	1	SA		PIC1	1203-002935	IC-POSI.ADJUST REG.;AIC1117ACE,TO-2	1	SA	
MR55	2007-000070	R-CHIP;0ohm,5%,1/10W,TP,1608	1	SA		PR01	2007-000119	R-CHIP;560ohm,5%,1/10W,TP,1608	1	SA	

Loc. No.	Part No.	Description;Specification	Q'ty	SNA	Remark	Loc. No.	Part No.	Description;Specification	Q'ty	SNA	Remark
PR02	2007-000074	R-CHIP;100ohm,5%,1/10W,TP,1608	1	SA		RR44	2007-000102	R-CHIP;100Kohm,5%,1/10W,TP,1608	1	SA	
PSC1	2402-001049	C-AL,SMD;10uF,20%,16V,GP,TP,3.3x3.3	1	SA		RR48	2007-000102	R-CHIP;100Kohm,5%,1/10W,TP,1608	1	SA	
PSC2	2203-005249	C-CER,CHIP;100nF,10%,50V,X7R,1608	1	SA		RR52	2007-000124	R-CHIP;2.2Kohm,5%,1/10W,TP,1608	1	SA	
RB07	3301-001495	BEAD-SMD;120ohm,2012,2500mA,TP,115o	1	SA		RR53	2007-000084	R-CHIP;4.7Kohm,5%,1/10W,TP,1608	1	SA	
RB08	3301-001495	BEAD-SMD;120ohm,2012,2500mA,TP,115o	1	SA		RR54	2007-000109	R-CHIP;1Mohm,5%,1/10W,TP,1608	1	SA	
RB09	3301-001495	BEAD-SMD;120ohm,2012,2500mA,TP,115o	1	SA		RR55	2007-000070	R-CHIP;0ohm,5%,1/10W,TP,1608	1	SA	
RB1A	3301-001495	BEAD-SMD;120ohm,2012,2500mA,TP,115o	1	SA		RR56	2007-000458	R-CHIP;18Kohm,5%,1/10W,TP,1608	1	SA	
RC01	2203-000189	C-CER,CHIP;100nF,+80-20%,25V,Y5V,16	1	SA		RR57	2007-000094	R-CHIP;22Kohm,5%,1/10W,TP,1608	1	SA	
RC02	2203-005148	C-CER,CHIP;100nF,10%,16V,X7R,TP,160	1	SA		RR58	2007-000070	R-CHIP;0ohm,5%,1/10W,TP,1608	1	SA	
RC03	2402-000175	C-AL,SMD;470uF,20%,6.3V,-,8.3x8.3	1	SA		RR59	2203-000189	C-CER,CHIP;100nF,+80-20%,25V,Y5V,16	1	SA	
RC11	2203-000189	C-CER,CHIP;100nF,+80-20%,25V,Y5V,16	1	SA		RR60	2007-000120	R-CHIP;680ohm,5%,1/10W,TP,1608	1	SA	
RC12	2203-000189	C-CER,CHIP;100nF,+80-20%,25V,Y5V,16	1	SA		RR61	2007-000078	R-CHIP;1Kohm,5%,1/10W,TP,1608	1	SA	
RC13	2203-000189	C-CER,CHIP;100nF,+80-20%,25V,Y5V,16	1	SA		RR62	2007-000090	R-CHIP;10Kohm,5%,1/10W,TP,1608	1	SA	
RC14	2203-000189	C-CER,CHIP;100nF,+80-20%,25V,Y5V,16	1	SA		RR63	2007-000082	R-CHIP;3.3Kohm,5%,1/10W,TP,1608	1	SA	
RC15	2402-001042	C-AL,SMD;100uF,20%,16V,GP,TP,6.6x6.6	1	SA		RR64	2007-000090	R-CHIP;10Kohm,5%,1/10W,TP,1608	1	SA	
RC19	2203-000440	C-CER,CHIP;1nF,10%,50V,X7R,1608	1	SA		RR65	2007-000097	R-CHIP;47Kohm,5%,1/10W,TP,1608	1	SA	
RC20	2203-000189	C-CER,CHIP;100nF,+80-20%,25V,Y5V,16	1	SA		RR66	2007-000097	R-CHIP;47Kohm,5%,1/10W,TP,1608	1	SA	
RC21	2402-001042	C-AL,SMD;100uF,20%,16V,GP,TP,6.6x6.6	1	SA		RR67	2007-002899	R-CHIP;10ohm,1%,1/10W,TP,1608	1	SA	
RC22	2203-000440	C-CER,CHIP;1nF,10%,50V,X7R,1608	1	SA		RR68	2007-002899	R-CHIP;10ohm,1%,1/10W,TP,1608	1	SA	
RC26	2402-000008	C-AL,SMD;47uF,20%,16V,GP,TP,6.6x6.6	1	SA		U1	1204-002627	IC-MODULATOR;PS9829B,LQFP,100P,14x1	1	SA	
RC28	2402-000175	C-AL,SMD;470uF,20%,6.3V,-,8.3x8.3	1	SA		UC1	2203-005148	C-CER,CHIP;100nF,10%,16V,X7R,TP,160	1	SA	
RCN1	3708-001765	CONNECTOR-FPC/FFC/PIC;24P,0.5mm,SMD	1	SA		UC10	2402-001042	C-AL,SMD;100uF,20%,16V,GP,TP,6.6x6.6	1	SA	
RCN2	3708-002023	CONNECTOR-FPC/FFC/PIC;6P,1MM,SMD-S,	1	SA		UC11	2409-000123	C-EDL;47000uF,4uA,5.5V,-,BK,-,5mm	1	SA	
RCN3	3708-001618	CONNECTOR-FPC/FFC/PIC;5P,1mm,SMD-A,	1	SA		UC12	2402-001042	C-AL,SMD;100uF,20%,16V,GP,TP,6.6x6.6	1	SA	
RD1	0407-000116	DIODE-ARRAY;KDS181, DAP202K,80V,100	1	SA		UC13	2203-005148	C-CER,CHIP;100nF,10%,16V,X7R,TP,160	1	SA	
RIC1	1201-001842	IC-OP AMP;TL3472CD,SO,TP,8P,-,DUAL,	1	SA		UC14	2203-005148	C-CER,CHIP;100nF,10%,16V,X7R,TP,160	1	SA	
RIC4	1003-001978	IC-MOTOR DRIVER;AM5766,HSOP28H,28P,	1	SA		UC15	2203-005148	C-CER,CHIP;100nF,10%,16V,X7R,TP,160	1	SA	
RL1	3301-001069	BEAD-SMD;120ohm,1.6x0.8x0.8mm,200mA	1	SA		UC16	2203-000972	C-CER,CHIP;47nF,10%,16V,X7R,1608	1	SA	
RL2	3301-001069	BEAD-SMD;120ohm,1.6x0.8x0.8mm,200mA	1	SA		UC17	2402-001042	C-AL,SMD;100uF,20%,16V,GP,TP,6.6x6.6	1	SA	
RL3	3301-001495	BEAD-SMD;120ohm,2012,2500mA,TP,115o	1	SA		UC18	2402-001042	C-AL,SMD;100uF,20%,16V,GP,TP,6.6x6.6	1	SA	
RL4	3301-001495	BEAD-SMD;120ohm,2012,2500mA,TP,115o	1	SA		UC19	2203-005148	C-CER,CHIP;100nF,10%,16V,X7R,TP,160	1	SA	
RL7	2703-000185	INDUCTOR-SMD;3.3uH,10%,2012	1	SA		UC2	2203-001607	C-CER,CHIP;0.22nF,5%,50V,NP0,1608	1	SA	
RQ1	0501-000632	TR-SMALL SIGNAL;2SB1197K,PNP,200mW,	1	SA		UC20	2402-001042	C-AL,SMD;100uF,20%,16V,GP,TP,6.6x6.6	1	SA	
RQ2	0501-000632	TR-SMALL SIGNAL;2SB1197K,PNP,200mW,	1	SA		UC21	2203-000236	C-CER,CHIP;0.1nF,5%,50V,C0G,1608	1	SA	
RQ3	0504-000128	TR-DIGITAL;-NPN,200MW,22K/22K,SOT-	1	SA		UC22	2203-000236	C-CER,CHIP;0.1nF,5%,50V,C0G,1608	1	SA	
RQ4	0504-000128	TR-DIGITAL;-NPN,200MW,22K/22K,SOT-	1	SA		UC23	2203-005249	C-CER,CHIP;100nF,10%,50V,X7R,1608	1	SA	
RQ5	0504-000128	TR-DIGITAL;-NPN,200MW,22K/22K,SOT-	1	SA		UC24	2402-000008	C-AL,SMD;47uF,20%,16V,GP,TP,6.6x6.6	1	SA	
RR01	2007-000070	R-CHIP;0ohm,5%,1/10W,TP,1608	1	SA		UC27	2203-005249	C-CER,CHIP;100nF,10%,50V,X7R,1608	1	SA	
RR02	2007-000070	R-CHIP;0ohm,5%,1/10W,TP,1608	1	SA		UC28	2203-005249	C-CER,CHIP;100nF,10%,50V,X7R,1608	1	SA	
RR03	2007-000071	R-CHIP;22ohm,5%,1/10W,TP,1608	1	SA		UC29	2203-005249	C-CER,CHIP;100nF,10%,50V,X7R,1608	1	SA	
RR04	2007-000074	R-CHIP;100ohm,5%,1/10W,TP,1608	1	SA		UC3	2203-001607	C-CER,CHIP;0.22nF,5%,50V,NP0,1608	1	SA	
RR05	2007-000074	R-CHIP;100ohm,5%,1/10W,TP,1608	1	SA		UC30	2203-000236	C-CER,CHIP;0.1nF,5%,50V,C0G,1608	1	SA	
RR07	2007-000309	R-CHIP;10ohm,5%,1/10W,TP,1608	1	SA		UC31	2203-000236	C-CER,CHIP;0.1nF,5%,50V,C0G,1608	1	SA	
RR08	2007-000097	R-CHIP;47Kohm,5%,1/10W,TP,1608	1	SA		UC32	2203-005249	C-CER,CHIP;100nF,10%,50V,X7R,1608	1	SA	
RR09	2007-000078	R-CHIP;1Kohm,5%,1/10W,TP,1608	1	SA		UC33	2203-005249	C-CER,CHIP;100nF,10%,50V,X7R,1608	1	SA	
RR10	2007-000090	R-CHIP;10Kohm,5%,1/10W,TP,1608	1	SA		UC34	2402-001096	C-AL,SMD;220UF,20%,16V,GP,TP,6.6x6.6	1	SA	
RR29	2007-000078	R-CHIP;1Kohm,5%,1/10W,TP,1608	1	SA		UC35	2402-001096	C-AL,SMD;220UF,20%,16V,GP,TP,6.6x6.6	1	SA	
RR30	2007-000090	R-CHIP;10Kohm,5%,1/10W,TP,1608	1	SA		UC36	2203-005249	C-CER,CHIP;100nF,10%,50V,X7R,1608	1	SA	
RR32	2007-000309	R-CHIP;10ohm,5%,1/10W,TP,1608	1	SA		UC37	2402-001096	C-AL,SMD;220UF,20%,16V,GP,TP,6.6x6.6	1	SA	
RR33	2007-000071	R-CHIP;22ohm,5%,1/10W,TP,1608	1	SA		UC38	2203-005249	C-CER,CHIP;100nF,10%,50V,X7R,1608	1	SA	
RR34	2007-000090	R-CHIP;10Kohm,5%,1/10W,TP,1608	1	SA		UC39	2402-001042	C-AL,SMD;100uF,20%,16V,GP,TP,6.6x6.6	1	SA	
RR35	2007-000097	R-CHIP;47Kohm,5%,1/10W,TP,1608	1	SA		UC4	2402-000130	C-AL,SMD;2.2uF,20%,50V,GP,TP,4.3x4.3	1	SA	
RR36	2007-000078	R-CHIP;1Kohm,5%,1/10W,TP,1608	1	SA		UC40	2203-005249	C-CER,CHIP;100nF,10%,50V,X7R,1608	1	SA	
RR37	2007-000078	R-CHIP;1Kohm,5%,1/10W,TP,1608	1	SA		UC41	2402-001042	C-AL,SMD;100uF,20%,16V,GP,TP,6.6x6.6	1	SA	
RR38	2007-000078	R-CHIP;1Kohm,5%,1/10W,TP,1608	1	SA		UC42	2203-005249	C-CER,CHIP;100nF,10%,50V,X7R,1608	1	SA	
RR39	2007-000090	R-CHIP;10Kohm,5%,1/10W,TP,1608	1	SA		UC43	2402-000175	C-AL,SMD;470uF,20%,6.3V,-,8.3x8.3	1	SA	
RR41	2007-000070	R-CHIP;0ohm,5%,1/10W,TP,1608	1	SA		UC5	2402-000173	C-AL,SMD;4.7uF,20%,35V,GP,TP,4.3x4.3	1	SA	
RR42	2007-000098	R-CHIP;56Kohm,5%,1/10W,TP,1608	1	SA		UC50	2203-005249	C-CER,CHIP;100nF,10%,50V,X7R,1608	1	SA	
RR43	2007-000098	R-CHIP;56Kohm,5%,1/10W,TP,1608	1	SA							

Exploded View & Part List

Loc. No.	Part No.	Description;Specification	Q'ty	SNA	Remark	Loc. No.	Part No.	Description;Specification	Q'ty	SNA	Remark
UC51	2203-005148	C-CER,CHIP;100nF,10%,16V,X7R,TP,160	1	SA		UR141	2007-000070	R-CHIP;0ohm,5%,1/10W,TP,1608	1	SA	
UC53	2402-000167	C-AL,SMD;100uF,20%,10V,-,-,6.6x6.6x	1	SA		UR143	2007-000033	R-CHIP;0ohm,5%,1/4W,TP,3216	1	SA	
UC54	2402-001042	C-AL,SMD;100uF,20%,16V,GP,TP,6.6x6.6	1	SA		UR145	2007-000074	R-CHIP;100ohm,5%,1/10W,TP,1608	1	SA	
UC55	2203-005148	C-CER,CHIP;100nF,10%,16V,X7R,TP,160	1	SA		UR146	2007-000074	R-CHIP;100ohm,5%,1/10W,TP,1608	1	SA	
UC56	2402-000167	C-AL,SMD;100uF,20%,10V,-,-,6.6x6.6x	1	SA		UR147	2007-000090	R-CHIP;10Kohm,5%,1/10W,TP,1608	1	SA	
UC6	2203-001607	C-CER,CHIP;0.22nF,5%,50V,NP0,1608	1	SA		UR148	2007-000121	R-CHIP;820ohm,5%,1/10W,TP,1608	1	SA	
UC7	2203-000257	C-CER,CHIP;10nF,10%,50V,X7R,TP,1608	1	SA		UR149	2007-000090	R-CHIP;10Kohm,5%,1/10W,TP,1608	1	SA	
UC8	2402-000187	C-AL,SMD;0.22uF,20%,50V,-,TP,4X5.5M	1	SA		UR15	2007-000081	R-CHIP;2.7Kohm,5%,1/10W,TP,1608	1	SA	
UC9	2203-005148	C-CER,CHIP;100nF,10%,16V,X7R,TP,160	1	SA		UR150	2007-000074	R-CHIP;100ohm,5%,1/10W,TP,1608	1	SA	
UD10	0401-001090	DIODE-SWITCHING;1SS355,80V,100MA,SO	1	SA		UR16	2007-000074	R-CHIP;100ohm,5%,1/10W,TP,1608	1	SA	
UD11	0401-001090	DIODE-SWITCHING;1SS355,80V,100MA,SO	1	SA		UR17	2007-000074	R-CHIP;100ohm,5%,1/10W,TP,1608	1	SA	
UD12	0401-001090	DIODE-SWITCHING;1SS355,80V,100MA,SO	1	SA		UR18	2007-000074	R-CHIP;100ohm,5%,1/10W,TP,1608	1	SA	
UD13	0401-001090	DIODE-SWITCHING;1SS355,80V,100MA,SO	1	SA		UR19	2007-000074	R-CHIP;100ohm,5%,1/10W,TP,1608	1	SA	
UD14	0401-001090	DIODE-SWITCHING;1SS355,80V,100MA,SO	1	SA		UR20	2007-000074	R-CHIP;100ohm,5%,1/10W,TP,1608	1	SA	
UD16	0401-001090	DIODE-SWITCHING;1SS355,80V,100MA,SO	1	SA		UR21	2007-000078	R-CHIP;1Kohm,5%,1/10W,TP,1608	1	SA	
UD17	0401-001090	DIODE-SWITCHING;1SS355,80V,100MA,SO	1	SA		UR22	2007-000078	R-CHIP;1Kohm,5%,1/10W,TP,1608	1	SA	
UD18	0401-001090	DIODE-SWITCHING;1SS355,80V,100MA,SO	1	SA		UR24	2007-000074	R-CHIP;100ohm,5%,1/10W,TP,1608	1	SA	
UD19	0401-001090	DIODE-SWITCHING;1SS355,80V,100MA,SO	1	SA		UR25	2007-000097	R-CHIP;47Kohm,5%,1/10W,TP,1608	1	SA	
UDZ01	0406-001128	DIODE-TVS;MLVS-0603-E08,50V,-,-	1	SA		UR26	2007-000078	R-CHIP;1Kohm,5%,1/10W,TP,1608	1	SA	
UDZ02	0406-001128	DIODE-TVS;MLVS-0603-E08,50V,-,-	1	SA		UR27	2007-000074	R-CHIP;100ohm,5%,1/10W,TP,1608	1	SA	
UIC1	0903-001405	IC-MICROCONTROLLER;LC87F5CC8A,8Bit,	1	SA		UR28	2007-000109	R-CHIP;1Mohm,5%,1/10W,TP,1608	1	SA	
UL15	3301-001495	BEAD-SMD;120ohm,2012,2500mA,TP,115o	1	SA		UR29	2007-000078	R-CHIP;1Kohm,5%,1/10W,TP,1608	1	SA	
UL16	3301-001495	BEAD-SMD;120ohm,2012,2500mA,TP,115o	1	SA		UR30	2007-000124	R-CHIP;2.2Kohm,5%,1/10W,TP,1608	1	SA	
UL17	3301-001495	BEAD-SMD;120ohm,2012,2500mA,TP,115o	1	SA		UR31	2007-000084	R-CHIP;4.7Kohm,5%,1/10W,TP,1608	1	SA	
UL3	3301-001495	BEAD-SMD;120ohm,2012,2500mA,TP,115o	1	SA		UR32	2007-000106	R-CHIP;220Kohm,5%,1/10W,TP,1608	1	SA	
UL4	3301-001495	BEAD-SMD;120ohm,2012,2500mA,TP,115o	1	SA		UR33	2007-000090	R-CHIP;10Kohm,5%,1/10W,TP,1608	1	SA	
UQ1	0501-000341	TR-SMALL SIGNAL;KSC1623-L,NPN,200mW	1	SA		UR34	2007-000074	R-CHIP;100ohm,5%,1/10W,TP,1608	1	SA	
UQ2	0504-000156	TR-DIGITAL;KSR2103,PNP,200MW,22K/22	1	SA		UR35	2007-000074	R-CHIP;100ohm,5%,1/10W,TP,1608	1	SA	
UR1	2007-000074	R-CHIP;100ohm,5%,1/10W,TP,1608	1	SA		UR36	2007-000074	R-CHIP;100ohm,5%,1/10W,TP,1608	1	SA	
UR10	2007-000102	R-CHIP;100Kohm,5%,1/10W,TP,1608	1	SA		UR37	2007-000074	R-CHIP;100ohm,5%,1/10W,TP,1608	1	SA	
UR101	2007-000074	R-CHIP;100ohm,5%,1/10W,TP,1608	1	SA		UR38	2007-000074	R-CHIP;100ohm,5%,1/10W,TP,1608	1	SA	
UR102	2007-000074	R-CHIP;100ohm,5%,1/10W,TP,1608	1	SA		UR39	2007-000074	R-CHIP;100ohm,5%,1/10W,TP,1608	1	SA	
UR103	2007-000074	R-CHIP;100ohm,5%,1/10W,TP,1608	1	SA		UR4	2007-000074	R-CHIP;100ohm,5%,1/10W,TP,1608	1	SA	
UR104	2007-000074	R-CHIP;100ohm,5%,1/10W,TP,1608	1	SA		UR40	2007-000074	R-CHIP;100ohm,5%,1/10W,TP,1608	1	SA	
UR105	2007-000074	R-CHIP;100ohm,5%,1/10W,TP,1608	1	SA		UR41	2007-000402	R-CHIP;150ohm,5%,1/10W,TP,1608	1	SA	
UR108	2007-000074	R-CHIP;100ohm,5%,1/10W,TP,1608	1	SA		UR44	2007-000074	R-CHIP;100ohm,5%,1/10W,TP,1608	1	SA	
UR109	2007-000074	R-CHIP;100ohm,5%,1/10W,TP,1608	1	SA		UR45	2007-000074	R-CHIP;100ohm,5%,1/10W,TP,1608	1	SA	
UR11	2007-000102	R-CHIP;100Kohm,5%,1/10W,TP,1608	1	SA		UR46	2007-000072	R-CHIP;47ohm,5%,1/10W,TP,1608	1	SA	
UR111	2007-000074	R-CHIP;100ohm,5%,1/10W,TP,1608	1	SA		UR47	2007-000074	R-CHIP;100ohm,5%,1/10W,TP,1608	1	SA	
UR112	2007-000074	R-CHIP;100ohm,5%,1/10W,TP,1608	1	SA		UR48	2007-000074	R-CHIP;100ohm,5%,1/10W,TP,1608	1	SA	
UR117	2203-005148	C-CER,CHIP;100nF,10%,16V,X7R,TP,160	1	SA		UR49	2007-000074	R-CHIP;100ohm,5%,1/10W,TP,1608	1	SA	
UR119	2007-000074	R-CHIP;100ohm,5%,1/10W,TP,1608	1	SA		UR5	2007-000074	R-CHIP;100ohm,5%,1/10W,TP,1608	1	SA	
UR12	2007-000097	R-CHIP;47Kohm,5%,1/10W,TP,1608	1	SA		UR50	2007-000074	R-CHIP;100ohm,5%,1/10W,TP,1608	1	SA	
UR120	2007-000074	R-CHIP;100ohm,5%,1/10W,TP,1608	1	SA		UR51	2007-000074	R-CHIP;100ohm,5%,1/10W,TP,1608	1	SA	
UR121	2007-000074	R-CHIP;100ohm,5%,1/10W,TP,1608	1	SA		UR52	2007-000074	R-CHIP;100ohm,5%,1/10W,TP,1608	1	SA	
UR122	2007-000090	R-CHIP;10Kohm,5%,1/10W,TP,1608	1	SA		UR53	2007-000074	R-CHIP;100ohm,5%,1/10W,TP,1608	1	SA	
UR124	2007-000074	R-CHIP;100ohm,5%,1/10W,TP,1608	1	SA		UR54	2007-000074	R-CHIP;100ohm,5%,1/10W,TP,1608	1	SA	
UR125	2007-000090	R-CHIP;10Kohm,5%,1/10W,TP,1608	1	SA		UR55	2007-000090	R-CHIP;10Kohm,5%,1/10W,TP,1608	1	SA	
UR126	2007-000107	R-CHIP;470Kohm,5%,1/10W,TP,1608	1	SA		UR56	2007-000074	R-CHIP;100ohm,5%,1/10W,TP,1608	1	SA	
UR129	2007-000090	R-CHIP;10Kohm,5%,1/10W,TP,1608	1	SA		UR58	2007-000074	R-CHIP;100ohm,5%,1/10W,TP,1608	1	SA	
UR13	2007-000078	R-CHIP;1Kohm,5%,1/10W,TP,1608	1	SA		UR6	2007-000074	R-CHIP;100ohm,5%,1/10W,TP,1608	1	SA	
UR130	2007-000074	R-CHIP;100ohm,5%,1/10W,TP,1608	1	SA		UR60	2007-000090	R-CHIP;10Kohm,5%,1/10W,TP,1608	1	SA	
UR132	2007-000074	R-CHIP;100ohm,5%,1/10W,TP,1608	1	SA		UR61	2007-000097	R-CHIP;47Kohm,5%,1/10W,TP,1608	1	SA	
UR136	2007-000070	R-CHIP;0ohm,5%,1/10W,TP,1608	1	SA		UR62	2007-000074	R-CHIP;100ohm,5%,1/10W,TP,1608	1	SA	
UR137	2007-000070	R-CHIP;0ohm,5%,1/10W,TP,1608	1	SA		UR63	2007-000074	R-CHIP;100ohm,5%,1/10W,TP,1608	1	SA	
UR138	2007-000090	R-CHIP;10Kohm,5%,1/10W,TP,1608	1	SA		UR64	2007-000074	R-CHIP;100ohm,5%,1/10W,TP,1608	1	SA	
UR139	2007-000090	R-CHIP;10Kohm,5%,1/10W,TP,1608	1	SA		UR65	2007-000090	R-CHIP;10Kohm,5%,1/10W,TP,1608	1	SA	
UR14	2007-000078	R-CHIP;1Kohm,5%,1/10W,TP,1608	1	SA		UR66	2007-000090	R-CHIP;10Kohm,5%,1/10W,TP,1608	1	SA	
						UR68	2007-000070	R-CHIP;0ohm,5%,1/10W,TP,1608	1	SA	

Loc. No.	Part No.	Description;Specification	Q'ty	SNA	Remark	Loc. No.	Part No.	Description;Specification	Q'ty	SNA	Remark
UR69	2007-000070	R-CHIP;0ohm,5%,1/10W,TP,1608	1	SA		AC136	2401-004106	C-AL;680uF,20%,50V,-,BK,12.5 x 35,5	1	SA	
UR7	2007-000074	R-CHIP;100ohm,5%,1/10W,TP,1608	1	SA		AC137	2401-001502	C-AL;47uF,20%,16V,GP,TP,6.3x5.2,5	1	SA	
UR71	2007-000074	R-CHIP;100ohm,5%,1/10W,TP,1608	1	SA		AC148	2203-005249	C-CER,CHIP;100nF,10%,50V,X7R,1608	1	SA	
UR72	2007-000074	R-CHIP;100ohm,5%,1/10W,TP,1608	1	SA		AC149	2305-000407	C-FILM,LEAD-PEF;470nF,5%,100V,TP,10	1	SA	
UR73	2007-000074	R-CHIP;100ohm,5%,1/10W,TP,1608	1	SA		AC150	2203-005249	C-CER,CHIP;100nF,10%,50V,X7R,1608	1	SA	
UR74	2007-000078	R-CHIP;1Kohm,5%,1/10W,TP,1608	1	SA		AC151	2305-000407	C-FILM,LEAD-PEF;470nF,5%,100V,TP,10	1	SA	
UR75	2007-000074	R-CHIP;100ohm,5%,1/10W,TP,1608	1	SA		AC152	2203-005249	C-CER,CHIP;100nF,10%,50V,X7R,1608	1	SA	
UR76	2007-000070	R-CHIP;0ohm,5%,1/10W,TP,1608	1	SA		AC153	2203-005249	C-CER,CHIP;100nF,10%,50V,X7R,1608	1	SA	
UR77	2007-000074	R-CHIP;100ohm,5%,1/10W,TP,1608	1	SA		AC157	2203-005249	C-CER,CHIP;100nF,10%,50V,X7R,1608	1	SA	
UR78	2007-000074	R-CHIP;100ohm,5%,1/10W,TP,1608	1	SA		AC158	2305-000407	C-FILM,LEAD-PEF;470nF,5%,100V,TP,10	1	SA	
UR79	2007-000090	R-CHIP;10Kohm,5%,1/10W,TP,1608	1	SA		AC159	2203-005249	C-CER,CHIP;100nF,10%,50V,X7R,1608	1	SA	
UR8	2007-000102	R-CHIP;100Kohm,5%,1/10W,TP,1608	1	SA		AC160	2401-001502	C-AL;47uF,20%,16V,GP,TP,6.3x5.2,5	1	SA	
UR9	2007-000102	R-CHIP;100Kohm,5%,1/10W,TP,1608	1	SA		AC166	2203-000257	C-CER,CHIP;10nF,10%,50V,X7R,TP,1608	1	SA	
UR91	2007-000090	R-CHIP;10Kohm,5%,1/10W,TP,1608	1	SA		AC167	2203-000257	C-CER,CHIP;10nF,10%,50V,X7R,TP,1608	1	SA	
UR92	2007-000090	R-CHIP;10Kohm,5%,1/10W,TP,1608	1	SA		AC168	2203-005249	C-CER,CHIP;100nF,10%,50V,X7R,1608	1	SA	
UR94	2007-000293	R-CHIP;100ohm,5%,1/4W,TP,3216	1	SA		AC169	2203-005249	C-CER,CHIP;100nF,10%,50V,X7R,1608	1	SA	
UX1	2802-001196	RESONATOR-CERAMIC;10MHZ,0.5%,TP,3.2	1	SA		AC170	2203-000257	C-CER,CHIP;10nF,10%,50V,X7R,TP,1608	1	SA	
X1	2801-004371	CRYSTAL-SMD;12.288MHz,50ppm, SX-1,18	1	SA		AC171	2203-005249	C-CER,CHIP;100nF,10%,50V,X7R,1608	1	SA	
XAH100_MAIN_PCB	AH41-01121A	PCB-MAIN;HT-XA100 MAIN PCB,EPOXY,4,	1	SNA		AC172	2203-000257	C-CER,CHIP;10nF,10%,50V,X7R,TP,1608	1	SA	
XC1	2203-000626	C-CER,CHIP;0.022nF,5%,50V,C0G,1608	1	SA		AC173	2203-005249	C-CER,CHIP;100nF,10%,50V,X7R,1608	1	SA	
XC2	2203-000626	C-CER,CHIP;0.022nF,5%,50V,C0G,1608	1	SA		AC176	2203-000257	C-CER,CHIP;10nF,10%,50V,X7R,TP,1608	1	SA	
XD1	0401-001110	DIODE-SWITCHING;- ,80V,100MA,SOD-523	1	SA		AC178	2203-005249	C-CER,CHIP;100nF,10%,50V,X7R,1608	1	SA	
XD11	0401-001110	DIODE-SWITCHING;- ,80V,100MA,SOD-523	1	SA		AC180	2203-000257	C-CER,CHIP;10nF,10%,50V,X7R,TP,1608	1	SA	
XD16	0401-001110	DIODE-SWITCHING;- ,80V,100MA,SOD-523	1	SA		AC181	2203-005249	C-CER,CHIP;100nF,10%,50V,X7R,1608	1	SA	
XD18	0401-001110	DIODE-SWITCHING;- ,80V,100MA,SOD-523	1	SA		AC182	2401-000651	C-AL;2.2uF,20%,50V,GP,TP,4x7,5	1	SA	
XD19	0401-001110	DIODE-SWITCHING;- ,80V,100MA,SOD-523	1	SA		AC183	2401-000651	C-AL;2.2uF,20%,50V,GP,TP,4x7,5	1	SA	
XD22	0401-001110	DIODE-SWITCHING;- ,80V,100MA,SOD-523	1	SA		AC185	2401-000303	C-AL;100uF,20%,25V,WT,TP,6.3x11mm,5	1	SA	
XD6	0401-001110	DIODE-SWITCHING;- ,80V,100MA,SOD-523	1	SA		AC186	2203-005249	C-CER,CHIP;100nF,10%,50V,X7R,1608	1	SA	
XD8	0401-001110	DIODE-SWITCHING;- ,80V,100MA,SOD-523	1	SA		AC187	2401-000303	C-AL;100uF,20%,25V,WT,TP,6.3x11mm,5	1	SA	
XIC1	AH14-10004R	IC-CMOS LOGIC;74HCU04,-,SOP,14P,-,-	1	SA		AC188	2401-001882	C-AL;1000uF,20%,16V,LZ,-,10x20,-	1	SA	
XIC2	1203-001212	IC-VOL. DETECTOR;7029,SOT-89,3P,-,P	1	SA		AC190	2401-000118	C-AL;1000uF,20%,10V,GP,TP,10x12.5,5	1	SA	
	AH99-10013Q	ASSY PCB-MAIN EUROPE,m;HT-A100 MAIN	1	SNA		AC191	2401-000303	C-AL;100uF,20%,25V,WT,TP,6.3x11mm,5	1	SA	
	AH92-02863D ASSY PCB-AMP EUROPE;HT-A100 AMP AS		1	SA		AC22	2401-000832	C-AL;220uF,20%,25V,GP,TP,8x11.5,5	1	SA	
AC1	2203-000236	C-CER,CHIP;0.1nF,5%,50V,C0G,1608	1	SA		AC24	2203-005249	C-CER,CHIP;100nF,10%,50V,X7R,1608	1	SA	
AC100	2203-001634	C-CER,CHIP;33nF,10%,50V,X7R,1608	1	SA		AC31	2203-005249	C-CER,CHIP;100nF,10%,50V,X7R,1608	1	SA	
AC101	2203-001634	C-CER,CHIP;33nF,10%,50V,X7R,1608	1	SA		AC38	2203-005249	C-CER,CHIP;100nF,10%,50V,X7R,1608	1	SA	
AC102	2203-005249	C-CER,CHIP;100nF,10%,50V,X7R,1608	1	SA		AC39	2203-005249	C-CER,CHIP;100nF,10%,50V,X7R,1608	1	SA	
AC103	2203-005249	C-CER,CHIP;100nF,10%,50V,X7R,1608	1	SA		AC4	2203-000236	C-CER,CHIP;0.1nF,5%,50V,C0G,1608	1	SA	
AC104	2203-001634	C-CER,CHIP;33nF,10%,50V,X7R,1608	1	SA		AC40	2203-005249	C-CER,CHIP;100nF,10%,50V,X7R,1608	1	SA	
AC105	2203-005249	C-CER,CHIP;100nF,10%,50V,X7R,1608	1	SA		AC41	2203-005249	C-CER,CHIP;100nF,10%,50V,X7R,1608	1	SA	
AC106	2203-006348	C-CER,CHIP;1000nF,10%,25V,X5R,1608	1	SA		AC59	2203-006348	C-CER,CHIP;1000nF,10%,25V,X5R,1608	1	SA	
AC117	2203-000257	C-CER,CHIP;10nF,10%,50V,X7R,TP,1608	1	SA		AC60	2203-005249	C-CER,CHIP;100nF,10%,50V,X7R,1608	1	SA	
AC118	2203-005249	C-CER,CHIP;100nF,10%,50V,X7R,1608	1	SA		AC61	2203-000236	C-CER,CHIP;0.1nF,5%,50V,C0G,1608	1	SA	
AC119	2401-004106	C-AL;680uF,20%,50V,-,BK,12.5 x 35,5	1	SA		AC62	2203-006348	C-CER,CHIP;1000nF,10%,25V,X5R,1608	1	SA	
AC120	2203-000783	C-CER,CHIP;0.33nF,5%,50V,C0G,1608	1	SA		AC63	2203-006348	C-CER,CHIP;1000nF,10%,25V,X5R,1608	1	SA	
AC121	2203-000783	C-CER,CHIP;0.33nF,5%,50V,C0G,1608	1	SA		AC64	2203-005249	C-CER,CHIP;100nF,10%,50V,X7R,1608	1	SA	
AC122	2203-000783	C-CER,CHIP;0.33nF,5%,50V,C0G,1608	1	SA		AC65	2203-000236	C-CER,CHIP;0.1nF,5%,50V,C0G,1608	1	SA	
AC123	2203-000783	C-CER,CHIP;0.33nF,5%,50V,C0G,1608	1	SA		AC69	2401-002300	C-AL;47##F,20%,50V,GP,TP,6.3x11,5mm	1	SA	
AC124	2203-000257	C-CER,CHIP;10nF,10%,50V,X7R,TP,1608	1	SA		AC70	2203-005249	C-CER,CHIP;100nF,10%,50V,X7R,1608	1	SA	
AC125	2203-005249	C-CER,CHIP;100nF,10%,50V,X7R,TP,1608	1	SA		AC71	2203-006348	C-CER,CHIP;1000nF,10%,25V,X5R,1608	1	SA	
AC126	2401-004106	C-AL;680uF,20%,50V,-,BK,12.5 x 35,5	1	SA		AC72	2401-002300	C-AL;47##F,20%,50V,GP,TP,6.3x11,5mm	1	SA	
AC130	2203-000783	C-CER,CHIP;0.33nF,5%,50V,C0G,1608	1	SA		AC73	2203-005249	C-CER,CHIP;100nF,10%,50V,X7R,1608	1	SA	
AC131	2203-000783	C-CER,CHIP;0.33nF,5%,50V,C0G,1608	1	SA		AC87	2203-001634	C-CER,CHIP;33nF,10%,50V,X7R,1608	1	SA	
AC132	2203-000783	C-CER,CHIP;0.33nF,5%,50V,C0G,1608	1	SA		AC88	2203-006348	C-CER,CHIP;1000nF,10%,25V,X5R,1608	1	SA	
AC133	2203-000783	C-CER,CHIP;0.33nF,5%,50V,C0G,1608	1	SA		AC89	2203-005249	C-CER,CHIP;100nF,10%,50V,X7R,1608	1	SA	
AC134	2203-000257	C-CER,CHIP;10nF,10%,50V,X7R,TP,1608	1	SA		AC90	2203-001634	C-CER,CHIP;33nF,10%,50V,X7R,1608	1	SA	
AC135	2203-005249	C-CER,CHIP;100nF,10%,50V,X7R,1608	1	SA		AC91	2203-005249	C-CER,CHIP;100nF,10%,50V,X7R,1608	1	SA	
						AC92	2203-001634	C-CER,CHIP;33nF,10%,50V,X7R,1608	1	SA	

Exploded View & Part List

Loc. No.	Part No.	Description;Specification	Q'ty	SNA	Remark	Loc. No.	Part No.	Description;Specification	Q'ty	SNA	Remark
AC93	2203-005249	C-CER,CHIP;100nF,10%,50V,X7R,1608	1	SA		AR102	2007-000034	R-CHIP;10HM,5%,1/4W,TP,3216	1	SA	
AC94	2203-001634	C-CER,CHIP;33nF,10%,50V,X7R,1608	1	SA		AR103	2007-000312	R-CHIP;10ohm,5%,1/4W,TP,3216	1	SA	
AC95	2203-005249	C-CER,CHIP;100nF,10%,50V,X7R,1608	1	SA		AR111	2007-000312	R-CHIP;10ohm,5%,1/4W,TP,3216	1	SA	
AC96	2203-006348	C-CER,CHIP;1000nF,10%,25V,X5R,1608	1	SA		AR112	2007-000312	R-CHIP;10ohm,5%,1/4W,TP,3216	1	SA	
AC97	2203-006348	C-CER,CHIP;1000nF,10%,25V,X5R,1608	1	SA		AR113	2007-000312	R-CHIP;10ohm,5%,1/4W,TP,3216	1	SA	
AC98	2203-001634	C-CER,CHIP;33nF,10%,50V,X7R,1608	1	SA		AR114	2007-000312	R-CHIP;10ohm,5%,1/4W,TP,3216	1	SA	
AC99	2203-005249	C-CER,CHIP;100nF,10%,50V,X7R,1608	1	SA		AR121	2007-000695	R-CHIP;3.3ohm,5%,1/10W,TP,1608	1	SA	
AD10	0401-000005	DIODE-SWITCHING;1N4148,75V,150mA,DO	1	SA		AR122	2007-000463	R-CHIP;18ohm,5%,1/10W,TP,1608	1	SA	
AD5	0401-001090	DIODE-SWITCHING;1SS355,80V,100MA,SO	1	SA		AR123	2007-000463	R-CHIP;18ohm,5%,1/10W,TP,1608	1	SA	
AD6	0401-001090	DIODE-SWITCHING;1SS355,80V,100MA,SO	1	SA		AR124	2007-000463	R-CHIP;18ohm,5%,1/10W,TP,1608	1	SA	
AIC1	1203-000110	IC-NEGA.FIXED REG.;7912,TO-220,3P,-	1	SA		AR125	2007-000463	R-CHIP;18ohm,5%,1/10W,TP,1608	1	SA	
AIC2	1203-000165	IC-POSI.ADJUST REG.;78R12,TO-220,4P	1	SA		AR126	2007-000695	R-CHIP;3.3ohm,5%,1/10W,TP,1608	1	SA	
AIC4	1203-001589	IC-POSI.FIXED REG.;278R05,TO-220F,4	1	SA		AR128	2007-000463	R-CHIP;18ohm,5%,1/10W,TP,1608	1	SA	
AIC5	1203-001586	IC-POSI.FIXED REG.;278R33,TO-220F,4	1	SA		AR129	2007-000463	R-CHIP;18ohm,5%,1/10W,TP,1608	1	SA	
AIC7	1201-002270	IC-AUDIO AMP;TAS5142,PSOP3,36P,15.9	1	SA		AR130	2007-000463	R-CHIP;18ohm,5%,1/10W,TP,1608	1	SA	
AIC8	1201-002270	IC-AUDIO AMP;TAS5142,PSOP3,36P,15.9	1	SA		AR131	2007-000695	R-CHIP;3.3ohm,5%,1/10W,TP,1608	1	SA	
AJ1	AH39-00986A	WIRE HARNESS;HT-XA100,9P-9B F.L/W #	1	SA		AR132	2007-000463	R-CHIP;18ohm,5%,1/10W,TP,1608	1	SA	
AJ4	3711-000814	HEADER-BOARD TO CABLE;BOX,2P,1R,2.5	1	SA		AR133	2003-000674	R-METAL OXIDE(S);39ohm,5%,1W,AA,TP,	1	SA	
AJ5	3711-006121	HEADER-BOARD TO BOARD;NOWALL,6P,1R,	1	SA		AR134	2003-000775	R-METAL OXIDE(S);68ohm,5%,1W,AA,TP,	1	SA	
AJ6	3711-006121	HEADER-BOARD TO BOARD;NOWALL,6P,1R,	1	SA		AR135	2007-000097	R-CHIP;47Kohm,5%,1/10W,TP,1608	1	SA	
AL1	3301-001495	BEAD-SMD;120ohm,2012,2500mA,TP,115o	1	SA		AR136	2001-000415	R-CARBON;18ohm,5%,1/4W,AA,TP,2.4x6.	1	SA	
AL12	AH27-00055A	COIL CHOKE;DBF-1310A,HT-DS600,10uH,	1	SA		AR137	2007-000084	R-CHIP;4.7Kohm,5%,1/10W,TP,1608	1	SA	
AL13	AH27-00055A	COIL CHOKE;DBF-1310A,HT-DS600,10uH,	1	SA		AR138	2007-000090	R-CHIP;10Kohm,5%,1/10W,TP,1608	1	SA	
AL14	AH27-00055A	COIL CHOKE;DBF-1310A,HT-DS600,10uH,	1	SA		AR139	2007-000097	R-CHIP;47Kohm,5%,1/10W,TP,1608	1	SA	
AL15	AH27-00055A	COIL CHOKE;DBF-1310A,HT-DS600,10uH,	1	SA		AR148	2007-000052	R-CHIP;10Kohm,1%,1/10W,TP,1608	1	SA	
AL18	AH27-00055A	COIL CHOKE;DBF-1310A,HT-DS600,10uH,	1	SA		AR149	2007-000052	R-CHIP;10Kohm,1%,1/10W,TP,1608	1	SA	
AL19	AH27-00055A	COIL CHOKE;DBF-1310A,HT-DS600,10uH,	1	SA		AR150	2007-000052	R-CHIP;10Kohm,1%,1/10W,TP,1608	1	SA	
AL2	3301-001495	BEAD-SMD;120ohm,2012,2500mA,TP,115o	1	SA		AR151	2007-000052	R-CHIP;10Kohm,1%,1/10W,TP,1608	1	SA	
AL3	3301-001495	BEAD-SMD;120ohm,2012,2500mA,TP,115o	1	SA		AR153	2007-000052	R-CHIP;10Kohm,1%,1/10W,TP,1608	1	SA	
AL6	3301-001069	BEAD-SMD;120ohm,1.6x0.8x0.8mm,200mA	1	SA		AR155	2007-000052	R-CHIP;10Kohm,1%,1/10W,TP,1608	1	SA	
AMP_IC HOLDER	AH61-02525A	HOLDER-PCB;HT-A100,PBT,T1.2,W12.3,L	1	SA		AR156	2007-000134	R-CHIP;33Kohm,5%,1/10W,TP,1608	1	SA	
APC166	2203-000257	C-CER,CHIP;10nF,10%,50V,X7R,TP,1608	1	SA		AR157	2007-000097	R-CHIP;47Kohm,5%,1/10W,TP,1608	1	SA	
APC167	2203-000257	C-CER,CHIP;10nF,10%,50V,X7R,TP,1608	1	SA		AR158	2007-000097	R-CHIP;47Kohm,5%,1/10W,TP,1608	1	SA	
APC168	2203-005249	C-CER,CHIP;100nF,10%,50V,X7R,1608	1	SA		AR159	2007-002425	R-CHIP;1ohm,5%,1/10W,TP,1608	1	SA	
APC169	2203-005249	C-CER,CHIP;100nF,10%,50V,X7R,1608	1	SA		AR160	2007-002425	R-CHIP;1ohm,5%,1/10W,TP,1608	1	SA	
APC170	2203-000257	C-CER,CHIP;10nF,10%,50V,X7R,TP,1608	1	SA		AR161	2007-002425	R-CHIP;1ohm,5%,1/10W,TP,1608	1	SA	
APC171	2203-005249	C-CER,CHIP;100nF,10%,50V,X7R,1608	1	SA		AR162	2007-002425	R-CHIP;1ohm,5%,1/10W,TP,1608	1	SA	
APC172	2203-000257	C-CER,CHIP;10nF,10%,50V,X7R,TP,1608	1	SA		AR165	2007-002425	R-CHIP;1ohm,5%,1/10W,TP,1608	1	SA	
APC173	2203-005249	C-CER,CHIP;100nF,10%,50V,X7R,1608	1	SA		AR166	2007-002425	R-CHIP;1ohm,5%,1/10W,TP,1608	1	SA	
APC176	2203-000257	C-CER,CHIP;10nF,10%,50V,X7R,TP,1608	1	SA		AR167	2007-000097	R-CHIP;47Kohm,5%,1/10W,TP,1608	1	SA	
APC178	2203-005249	C-CER,CHIP;100nF,10%,50V,X7R,1608	1	SA		AR168	2007-000097	R-CHIP;47Kohm,5%,1/10W,TP,1608	1	SA	
APC180	2203-000257	C-CER,CHIP;10nF,10%,50V,X7R,TP,1608	1	SA		AR171	2007-000070	R-CHIP;0ohm,5%,1/10W,TP,1608	1	SA	
APC181	2203-005249	C-CER,CHIP;100nF,10%,50V,X7R,1608	1	SA		AR175	2007-000090	R-CHIP;10Kohm,5%,1/10W,TP,1608	1	SA	
APR159	2007-002425	R-CHIP;1ohm,5%,1/10W,TP,1608	1	SA		AR176	2007-000082	R-CHIP;3.3Kohm,5%,1/10W,TP,1608	1	SA	
APR160	2007-002425	R-CHIP;1ohm,5%,1/10W,TP,1608	1	SA		AR177	2001-000734	R-CARBON;4.7KOHM,5%,1/8W,AA,TP,1.8X	1	SA	
APR161	2007-002425	R-CHIP;1ohm,5%,1/10W,TP,1608	1	SA		AR178	2001-000429	R-CARBON;1KOHM,5%,1/8W,AA,TP,1.8X3.	1	SA	
APR162	2007-002425	R-CHIP;1ohm,5%,1/10W,TP,1608	1	SA		AR179	2001-000472	R-CARBON;2.7KOHM,5%,1/8W,AA,TP,1.8X	1	SA	
APR165	2007-002425	R-CHIP;1ohm,5%,1/10W,TP,1608	1	SA		AR180	2001-000702	R-CARBON;39KOHM,5%,1/8W,AA,TP,1.8X3	1	SA	
APR166	2007-002425	R-CHIP;1ohm,5%,1/10W,TP,1608	1	SA		AR181	2004-000869	R-METAL;3Kohm,1%,1/8W,AA,TP,1.8x3.2	1	SA	
AQ1	0501-000422	TR-SMALL SIGNAL;KTA1273,PNP,-30V,-3	1	SA		AR182	2004-000869	R-METAL;3Kohm,1%,1/8W,AA,TP,1.8x3.2	1	SA	
AQ2	0504-000128	TR-DIGITAL;-NPN,200MW,22K/22K,SOT-	1	SA		AR183	2007-000070	R-CHIP;0ohm,5%,1/10W,TP,1608	1	SA	
AQ5	0501-000422	TR-SMALL SIGNAL;KTA1273,PNP,-30V,-3	1	SA		AR186	2007-000070	R-CHIP;0ohm,5%,1/10W,TP,1608	1	SA	
AQ6	0501-000341	TR-SMALL SIGNAL;KSC1623-L,NPN,200mW	1	SA		AR23	2007-000097	R-CHIP;47Kohm,5%,1/10W,TP,1608	1	SA	
AQ7	0501-000362	TR-SMALL SIGNAL;KSC2328A-Y,NPN,1000	1	SA		AR42	2007-000253	R-CHIP;1.5ohm,5%,1/4W,TP,3216	1	SA	
AQ8	0501-000006	TR-SMALL SIGNAL;KTA1266,PNP,625mW,T	1	SA		AR5	2007-000583	R-CHIP;22Kohm,1%,1/10W,TP,1608	1	SA	
AR10	2007-000102	R-CHIP;100Kohm,5%,1/10W,TP,1608	1	SA		AR6	2007-000583	R-CHIP;22Kohm,1%,1/10W,TP,1608	1	SA	
AR100	2007-000090	R-CHIP;10Kohm,5%,1/10W,TP,1608	1	SA		AR7	2007-000102	R-CHIP;100Kohm,5%,1/10W,TP,1608	1	SA	
AR101	2007-000090	R-CHIP;10Kohm,5%,1/10W,TP,1608	1	SA		AR70	2007-000094	R-CHIP;22Kohm,5%,1/10W,TP,1608	1	SA	
						AR71	2007-000070	R-CHIP;0ohm,5%,1/10W,TP,1608	1	SA	

Loc. No.	Part No.	Description;Specification	Q'ty	SNA	Remark	Loc. No.	Part No.	Description;Specification	Q'ty	SNA	Remark
AR72	2007-000070	R-CHIP;0ohm,5%,1/10W,TP,1608	1	SA		HPR4	2007-000094	R-CHIP;22Kohm,5%,1/10W,TP,1608	1	SA	
AR73	2007-000094	R-CHIP;22Kohm,5%,1/10W,TP,1608	1	SA		JCN11	3711-006655	HEADER-BOARD TO BOARD;NOWALL,28P,2R	1	SA	
AR74	2007-000070	R-CHIP;0ohm,5%,1/10W,TP,1608	1	SA		ML51	3301-001495	BEAD-SMD;120ohm,2012,2500mA,TP,115o	1	SA	
AR75	2007-000070	R-CHIP;0ohm,5%,1/10W,TP,1608	1	SA		OPTC1	2203-000626	C-CER,CHIP;0.022nF,5%,50V,C0G,1608	1	SA	
AR89	2007-000070	R-CHIP;0ohm,5%,1/10W,TP,1608	1	SA		OPTC2	2401-000042	C-AL;100uF,20%,16V,GP,TP,6.3x7,5	1	SA	
AR90	2007-000312	R-CHIP;10ohm,5%,1/4W,TP,3216	1	SA		OPTC3	2203-005148	C-CER,CHIP;100nF,10%,16V,X7R,TP,160	1	SA	
AR91	2007-000070	R-CHIP;0ohm,5%,1/10W,TP,1608	1	SA		OPTC4	2203-000257	C-CER,CHIP;10nF,10%,50V,X7R,TP,1608	1	SA	
AR92	2007-000090	R-CHIP;10Kohm,5%,1/10W,TP,1608	1	SA		OPTJ1	0603-001205	OPTIC TRANSMITTER;5V,13.2Mb/s,-,-,-	1	SA	
AR93	2007-000090	R-CHIP;10Kohm,5%,1/10W,TP,1608	1	SA		OPTL1	3301-001495	BEAD-SMD;120ohm,2012,2500mA,TP,115o	1	SA	
AR94	2007-000034	R-CHIP;10HM,5%,1/4W,TP,3216	1	SA		OPTR1	2007-000076	R-CHIP;330ohm,5%,1/10W,TP,1608	1	SA	
AR95	2007-000312	R-CHIP;10ohm,5%,1/4W,TP,3216	1	SA		OPTR2	2007-000090	R-CHIP;10Kohm,5%,1/10W,TP,1608	1	SA	
AR96	2007-000312	R-CHIP;10ohm,5%,1/4W,TP,3216	1	SA		OPTR3	2007-000090	R-CHIP;10Kohm,5%,1/10W,TP,1608	1	SA	
AR98	2007-000070	R-CHIP;0ohm,5%,1/10W,TP,1608	1	SA		RM01	0609-001202	MODULE REMOCON;HORIZONTAL,12.4mm,TR	1	SA	
AR99	2007-000070	R-CHIP;0ohm,5%,1/10W,TP,1608	1	SA		SCN01	3710-002356	SOCKET-BOARD TO CABLE;6P,1R,5.08mm,	1	SA	
AV2	AH39-00987A	WIRE HARNESS;HT-XA100,15P-15B F.L/W	1	SA		SCN02	3710-002356	SOCKET-BOARD TO CABLE;6P,1R,5.08mm,	1	SA	
AV4	3708-002403	CONNECTOR-FPC/FFC/PIC;23P,1mm,SMD-S	1	SA		SCREW	6003-000276	SCREW-TAPTITE;BH,+,-,B,M,3,L10,ZPC(W	4	SNA	
AVJ1	3722-002027	JACK-PIN;6P/6C,SN,YEL/GN/WH/BL/RD,A	1	SA		SHEET_AMP	AH63-01639A	SHEET-AMP;HT-A100,PC,T0,2,W160,L38,	1	SA	
CN01	3708-002403	CONNECTOR-FPC/FFC/PIC;23P,1mm,SMD-S	1	SA		SHEET-FILTER	AH63-01558A	SHEET-FILTER;HT-A100,PC,T0.3,W36,L1	1	SNA	
ESD30	0406-001128	DIODE-TVS;MLVS-0603-E08,50V,-,-	1	SA		SPK01	3716-001287	TERMINAL-BLOCK;WIRE TYPE,12P,43.2 m	1	SA	
FCN11	3708-001837	CONNECTOR-FPC/FFC/PIC;15P,1mm,SMD-S	1	SA		SUPPORT_RIVET	AH61-40014A	SUPPORT-RIVET;-,-,-,-,-,-,-,-	3	SA	
GB01	3002-001134	BUZZER-PIEZO;85DB,12V,-,2K-4KHZ,BK	1	SA		UCN11	AH39-00988A	WIRE HARNESS-USB-MAIN;HT-XA100,4P-4	1	SA	
GC01	2203-005249	C-CER,CHIP;100nF,10%,50V,X7R,1608	1	SA		USB1	3722-001051	JACK-USB;4P/1C,AU,BLK,ANGLE,A TYPE	1	SA	
GC02	2401-000804	C-AL;220uF,20%,16V,GP,TP,8x9mm,5	1	SA		USB-SHIELD	AH63-01662A	SHIELD-USB;HT-A100,SPT,TO.3,W17.4,	1	SNA	
GC03	2203-005249	C-CER,CHIP;100nF,10%,50V,X7R,1608	1	SA		USC50	2401-001508	C-AL;47uF,20%,16V,GP,TP,6.3x5,5	1	SA	
GC06	2203-000236	C-CER,CHIP;0.1nF,5%,50V,C0G,1608	1	SA		USC51	2203-000257	C-CER,CHIP;10nF,10%,50V,X7R,TP,1608	1	SA	
GC07	2401-000487	C-AL;10uF,20%,50V,GP,TP,6.3x5mm,5	1	SA		USC53	2203-005148	C-CER,CHIP;100nF,10%,16V,X7R,TP,160	1	SA	
GC08	2401-000487	C-AL;10uF,20%,50V,GP,TP,6.3x5mm,5	1	SA		USD1	0401-001090	DIODE-SWITCHING;1SS355,80V,100MA,SO	1	SA	
GC09	2203-005249	C-CER,CHIP;100nF,10%,50V,X7R,1608	1	SA		USD2	0401-001090	DIODE-SWITCHING;1SS355,80V,100MA,SO	1	SA	
GC10	2203-005249	C-CER,CHIP;100nF,10%,50V,X7R,1608	1	SA		VFD1	AH97-02494A	ASSY-VFD DISPLAY;VFD (Driver IC+con	1	SA	
GC11	2401-000487	C-AL;10uF,20%,50V,GP,TP,6.3x5mm,5	1	SA		WCON2	3711-004109	HEADER-BOARD TO CABLE;3WALL,14P,1R,	1	SA	
GC24	2203-005249	C-CER,CHIP;100nF,10%,50V,X7R,1608	1	SA		WCON3	3710-001421	SOCKET-BOARD TO CABLE;14P,1R,2mm,AN	1	SA	
GCN1	3708-001555	CONNECTOR-FPC/FFC/PIC;20P,1mm,SMD-A	1	SA		XA100_AMP_PCB	AH41-01123A	PCB-AMP;HT-XA100 AMP PCB,EPOXY,2,0,	1	SNA	
GCN2	3708-001925	CONNECTOR-FPC/FFC/PIC;7P,1MM,SMD-S,	1	SA			AH99-10013R	ASSY PCB-AMP EUROPE,m;HT-A100 AMP	1	SNA	
GCN3	3711-004349	HEADER-BOARD TO CABLE;BOX,3P,1R,2mm	1	SA			AH92-02866A	ASSY PCB-POWER KEY;HT-A100 POWER KE	1	SA	
GD1	0403-001284	DIODE-ZENER;RLZ3.3A,3.16-3.38V,500m	1	SA		FC1	2203-000189	C-CER,CHIP;100nF,+80-20%,25V,Y5V,16	1	SA	
GR03	2007-000074	R-CHIP;100ohm,5%,1/10W,TP,1608	1	SA		FCN3	3711-003591	HEADER-BOARD TO CABLE;BOX,4P,1R,2mm	1	SA	
GR04	2007-000074	R-CHIP;100ohm,5%,1/10W,TP,1608	1	SA		FCN3-WIRE	AH39-00984A	WIRE HARNESS-MAIN-POWER.KEY;HT-XA10	1	SA	
GR05	2007-000074	R-CHIP;100ohm,5%,1/10W,TP,1608	1	SA		FD1	0601-001226	LED;SMD,RED,1.2x0.8mm,660nm,1.6x0.	1	SA	
GR06	2007-000074	R-CHIP;100ohm,5%,1/10W,TP,1608	1	SA		FPZD1	0403-001064	DIODE-ZENER;RLZ5.1B,4.94-5.2V,500mW	1	SA	
GR07	2007-000103	R-CHIP;120Kohm,5%,1/10W,TP,1608	1	SA		FR1	2007-000107	R-CHIP;470Kohm,5%,1/10W,TP,1608	1	SA	
GR08	2007-000309	R-CHIP;10ohm,5%,1/10W,TP,1608	1	SA		FR2	2007-000081	R-CHIP;2.7Kohm,5%,1/10W,TP,1608	1	SA	
GR09	2007-000309	R-CHIP;10ohm,5%,1/10W,TP,1608	1	SA		PCB_POWER_KEY	AH41-01141A	PCB-POWER KEY;HT-XA100 POWER KEY P	0.02	SNA	
GR10	2007-000113	R-CHIP;33ohm,5%,1/10W,TP,1608	1	SA		TP16	1209-001742	IC-SENSOR;SS02,SOT26,6P,2.9x1.6mm,P	1	SA	
GR11	2007-000113	R-CHIP;33ohm,5%,1/10W,TP,1608	1	SA			AH99-10013P	ASSY PCB-POWER KEY,m;HT-A100 POWER	1	SNA	
GR12	2007-000123	R-CHIP;1.5Kohm,5%,1/10W,TP,1608	1	SA			AH59-01907G	REMOCON-ASSY;HT-A100/EXP,SAMSUNG,23	1	SA	
GR13	2007-000097	R-CHIP;47Kohm,5%,1/10W,TP,1608	1	SA			AH69-02185A	MASTER CARTON;HT-A100,PAPER,-,W416,	1.03	SNA	
GR14	2007-000090	R-CHIP;10Kohm,5%,1/10W,TP,1608	1	SA							
GTR01	0501-000010	TR-SMALL SIGNAL;KSC1008,NPN,800mW,T	1	SA							
HEAT_SINK	AH62-00181A	HEAT SINK-AMP;HT-A100,AL,T5.0,W32.3	1	SA							
HOLDER-VFD	AH61-02523A	HOLDER-VFD;HT-A100,ABS,T1.5,W32.3,L	1	SA							
HPC7	2203-000236	C-CER,CHIP;0.1nF,5%,50V,C0G,1608	1	SA							
HPC8	2203-000236	C-CER,CHIP;0.1nF,5%,50V,C0G,1608	1	SA							
HPC9	2203-000257	C-CER,CHIP;10nF,10%,50V,X7R,TP,1608	1	SA							
HPJ1	3722-000143	JACK-PHONE;1P(VER),AG,BLK,ANGLE	1	SA							
HPJ2	3722-000143	JACK-PHONE;1P(VER),AG,BLK,ANGLE	1	SA							
HPR1	2007-000102	R-CHIP;100Kohm,5%,1/10W,TP,1608	1	SA							
HPR2	2007-000102	R-CHIP;100Kohm,5%,1/10W,TP,1608	1	SA							
HPR3	2007-000094	R-CHIP;22Kohm,5%,1/10W,TP,1608	1	SA							

5-6 HT-XA100T/XEF Electrical Part List

Loc. No.	Part No.	Description;Specification	Q'ty	SNA	Remark	Loc. No.	Part No.	Description;Specification	Q'ty	SNA	Remark
	AH59-01915B	SPEAKER SYSTEM;PS-XA100,XEU,SATELLI	1	SA		6902-000287	BAG PE;LDPE,T0.05,W100,L120,TRP,-,-	1	SNA		
	AH81-02177B	SPEAKER;PS-Q20,SPK CORD## CONNECTOR	1	SA		6902-000385	BAG PE;LDPE,T0.03,W250,L350,TRP,8,1	2	SNA		
	AH81-04124A	AUDIO-RECEIVER-SPEAKER;CUSHION SATE	1	SNA							
	AH81-04166A	AUDIO-RECEIVER;PS-A100,FRONT SPEAKE	2	SNA		AH39-00721A	CBF MODULE CABLE;HT-DS1000,19,3000,	1	SA		
	AH81-03708A	SPEAKER-REAR CASE;REAR CASE,-,-,-,-	1	SNA		AH39-40001V	CABLE-AUDIO CABLE;-,-,1P-1P,3000mm,	1	SA		
						AH42-00021A	ANT FM T;T18011F-1,75 ohm,1800mm	1	SA		
	AH81-03709A	SPEAKER-FRONT PANEL;PS-A100,FRONT P	1	SNA		AH68-00650C	MARK RECYCLE-WARRANTY-CARD;YP-K3,XE	1	SNA		
	AH81-03710A	SPEAKER-DECO;PS-A100,DECO,-,-,-,-,-	1	SNA		AH68-02068C	MANUAL USERS;HT-XA100,XEF,FR/NL/DE,	1	SA		
	AH81-03723A	SPEAKER-NET FRAME;PS-A100,NET FRAME	1	SNA							
	AH81-03725A	SPEAKER-FRONT SPK;PS-A100,TWEETER_C	1	SNA		AH68-40042E	CARD WARRANTY;ALL,FRN,ART,-,L210,-,	1	SNA		
	AH81-03816A	SPEAKER-FRONT;PS-A100,PUNCHING GRIL	1	SNA		AH68-40042G	CARD WARRANTY;ALL,NL,-,-,ART,-,W145	1	SNA		
						AH68-50254B	LABEL-SERIAL;ART PAPER,T0.1,L10,W45	2.05	SNA		
	AH81-03817A	SPEAKER-FRONT;PS-A100,PUNCHING GRIL	1	SNA		AH81-02286C	A/S-EYEGLOSS CLOTH;HT-TXQ120,POLY-B	1	SNA		
	AH81-04118A	AUDIO-RECEIVER-SPEAKER;FRONT UNIT,	1	SA							
	AH81-04121A	AUDIO-RECEIVER-SPEAKER;TWEETER,FOR	1	SA							
	AH81-04122A	AUDIO-RECEIVER-SPEAKER;NETWORK FRON	1	SA							
	AH81-04166B	SPEAKER;PS-XA100,CENTER SPEAKER,BUM	1	SA							
						AH92-02830F	ASSY PCB-MAIN-EURPOE;HT-XA100 MAIN	1	SA		
	AH81-03711A	SPEAKER-REAR CASE;PS-A100,REAR CASE	1	SNA		AC10	2402-000130	C-AL,SMD;2.2uF,20%,50V,GP,TP,4.3x4.	1	SA	
	AH81-03712A	SPEAKER-FRONT PANEL;PS-A100,FRONT P	1	SNA		AC11	2203-005148	C-CER,CHIP;100nF,10%,16V,X7R,TP,160	1	SA	
	AH81-03713A	SPEAKER-NET FRAME;PS-A100,NET FRAME	1	SNA		AC12	2203-005148	C-CER,CHIP;100nF,10%,16V,X7R,TP,160	1	SA	
	AH81-03818A	SPEAKER-FRONT;PS-A100,PUNCHING GRIL	1	SNA		AC13	2402-000008	C-AL,SMD;47uF,20%,16V,GP,TP,6.6x6.6	1	SA	
	AH81-04051A	SPEAKER-REAR CASE;REAR CASE-FRONT,P	1	SNA							
						AC14	2402-000008	C-AL,SMD;47uF,20%,16V,GP,TP,6.6x6.6	1	SA	
	AH81-04120A	AUDIO-RECEIVER-SPEAKER;CENTER UNIT	1	SNA		AC15	2203-000491	C-CER,CHIP;2.2nF,10%,50V,X7R,1608	1	SA	
	AH81-04121A	AUDIO-RECEIVER-SPEAKER;TWEETER,FOR	1	SA		AC16	2203-000491	C-CER,CHIP;2.2nF,10%,50V,X7R,1608	1	SA	
	AH81-04166C	SPEAKER;PS-XA100,REAR SPEAKER,BUMJI	2	SA		AC17	2402-001049	C-AL,SMD;10uF,20%,16V,GP,TP,3.3x3.3	1	SA	
	AH81-03708A	SPEAKER-REAR CASE;REAR CASE,-,-,-,-	1	SNA		AC18	2203-005148	C-CER,CHIP;100nF,10%,16V,X7R,TP,160	1	SA	
	AH81-03709A	SPEAKER-FRONT PANEL;PS-A100,FRONT P	1	SNA		AC19	2402-001049	C-AL,SMD;10uF,20%,16V,GP,TP,3.3x3.3	1	SA	
						AC2	2402-000130	C-AL,SMD;2.2uF,20%,50V,GP,TP,4.3x4.	1	SA	
	AH81-03710A	SPEAKER-DECO;PS-A100,DECO,-,-,-,-,-	1	SNA		AC20	2402-000008	C-AL,SMD;47uF,20%,16V,GP,TP,6.6x6.6	1	SA	
	AH81-03723A	SPEAKER-NET FRAME;PS-A100,NET FRAME	1	SNA		AC21	2402-000008	C-AL,SMD;47uF,20%,16V,GP,TP,6.6x6.6	1	SA	
	AH81-03725A	SPEAKER-FRONT SPK;PS-A100,TWEETER_C	1	SNA		AC22	2203-005148	C-CER,CHIP;100nF,10%,16V,X7R,TP,160	1	SA	
	AH81-03816A	SPEAKER-FRONT;PS-A100,PUNCHING GRIL	1	SNA							
	AH81-03817A	SPEAKER-FRONT;PS-A100,PUNCHING GRIL	1	SNA		AC25	2203-002398	C-CER,CHIP;22nF,10%,50V,X7R,1608	1	SA	
						AC26	2203-005148	C-CER,CHIP;100nF,10%,16V,X7R,TP,160	1	SA	
	AH81-04119A	AUDIO-RECEIVER-SPEAKER;REAR UNIT,F	1	SNA		AC27	2203-005148	C-CER,CHIP;100nF,10%,16V,X7R,TP,160	1	SA	
	AH81-04121A	AUDIO-RECEIVER-SPEAKER;TWEETER,FOR	1	SA		AC28	2203-005148	C-CER,CHIP;100nF,10%,16V,X7R,TP,160	1	SA	
						AC29	2402-001042	C-AL,SMD;100uF,20%,16V,GP,TP,6.6x6.6	1	SA	
						AC3	2402-000130	C-AL,SMD;2.2uF,20%,50V,GP,TP,4.3x4.	1	SA	
	AH59-01916B	SPEAKER SYSTEM;PS-WA100,,XEU,,SUBWO	1	SA		AC30	2203-005148	C-CER,CHIP;100nF,10%,16V,X7R,TP,160	1	SA	
	AH81-04125A	AUDIO-RECEIVER-SPEAKER;CUSHION SUBW	1	SNA		AC31	2203-005148	C-CER,CHIP;100nF,10%,16V,X7R,TP,160	1	SA	
	AH81-04167A	AUDIO-RECEIVER;PS-WA100,FOR PS-A100	1	SNA		AC32	2402-001049	C-AL,SMD;10uF,20%,16V,GP,TP,3.3x3.3	1	SA	
	AH81-00830B	A/S PART-NET FRAME;PS WA150,-,-,NET	1	SA		AC33	2402-001049	C-AL,SMD;10uF,20%,16V,GP,TP,3.3x3.3	1	SA	
	AH81-01584G	A/S PART-DUCT;PSWS665T,-,DUCT,RRSS,	1	SA							
						AC34	2203-005148	C-CER,CHIP;100nF,10%,16V,X7R,TP,160	1	SA	
	AH81-02401A	A/S PART;FRONT PANEL-SUBWOOFER,FOR	1	SNA		AC7	2402-000130	C-AL,SMD;2.2uF,20%,50V,GP,TP,4.3x4.	1	SA	
	AH81-02402A	A/S PART;TOP PANEL-SUBWOOFER,FOR PS	1	SNA		AC8	2402-000130	C-AL,SMD;2.2uF,20%,50V,GP,TP,4.3x4.	1	SA	
	AH81-02403A	A/S PART;NET FRAME-SUBWOOFER,FOR PS	1	SNA		AC9	2402-000130	C-AL,SMD;2.2uF,20%,50V,GP,TP,4.3x4.	1	SA	
	AH81-02417A	A/S PART;FOOT-SUBWOOFER,FOR PS-X250	1	SA		ACN10	3708-002403	CONNECTOR-FPC/FFC/PIC;23P,1mm,SMD-S	1	SA	
	AH81-02687A	A/S PART-SUBWOOFER UNIT;PS-X250,SUB	1	SA							
						AD7	3301-001495	BEAD-SMD;120ohm,2012,2500mA,TP,115o	1	SA	
						AIC1	1002-001548	IC-A/D CONVERTER;CS5345,24,LQFP,48P	1	SA	
	AH97-02613B	ASSY-MAIN OTHER;HT-XA100/EDC,-	1	SNA		AL1	3301-001495	BEAD-SMD;120ohm,2012,2500mA,TP,115o	1	SA	
	AH63-01301A	SHEET-SET;HT-Q40,-,-,-,-,-,-,-	1	SNA		AL2	3301-001495	BEAD-SMD;120ohm,2012,2500mA,TP,115o	1	SA	
	AH68-00371A	LABEL-BAR CODE;DVD-611/XAA,-,MOJO20	1.05	SNA		AL3	3301-001495	BEAD-SMD;120ohm,2012,2500mA,TP,115o	1	SA	
	AH68-01984A	MANUAL-CLEANING;HT-X200,-,-,-,ART P	1	SNA							
	AH68-02045C	LABEL-POP;HT-XA100,EXP,RAINBOW,0.18	1	SNA		AL4	3301-001495	BEAD-SMD;120ohm,2012,2500mA,TP,115o	1	SA	
						AL6	3301-001495	BEAD-SMD;120ohm,2012,2500mA,TP,115o	1	SA	
	AH68-02078B	LABEL RATING;HT-A100,XEF,SLIVER PET	1.05	SA		AMR1	2007-000309	R-CHIP;10ohm,5%,1/10W,TP,1608	1	SA	
	AH69-02183A	CUSHION-TOP;HT-A100,EPS,T30mm,-,-,-	1	SNA		AMR10	2007-000052	R-CHIP;10Kohm,1%,1/10W,TP,1608	1	SA	
	AH69-02184A	CUSHION-BOTTOM;HT-A100,EPS,T30mm,-,-	1	SNA		AMR11	2007-000052	R-CHIP;10Kohm,1%,1/10W,TP,1608	1	SA	
						AMR12	2007-000072	R-CHIP;47ohm,5%,1/10W,TP,1608	1	SA	
	AH97-02615F	ASSY-ACCESSORY;HT-XA100/XEF,-	1	SNA		AMR13	2007-000052	R-CHIP;10Kohm,1%,1/10W,TP,1608	1	SA	
	3301-000144	CORE-FERRITE;AE,34.5x12.5x32.5mm,15	1	SA		AMR14	2007-000113	R-CHIP;33ohm,5%,1/10W,TP,1608	1	SA	
	4301-000116	BATTERY-ALKALINE;9V,-,-,17.5x26.5x4	2	SA		AMR15	2007-000097	R-CHIP;47Kohm,5%,1/10W,TP,1608	1	SA	

Loc. No.	Part No.	Description;Specification	Q'ty	SNA	Remark	Loc. No.	Part No.	Description;Specification	Q'ty	SNA	Remark
AMR16	2007-000052	R-CHIP;10Kohm,1%,1/10W,TP,1608	1	SA		AR4	2007-000086	R-CHIP;5.6Kohm,5%,1/10W,TP,1608	1	SA	
AMR17	2007-000113	R-CHIP;33ohm,5%,1/10W,TP,1608	1	SA		AVC01	2402-001049	C-AL,SMD;10uF,20%,16V,GP,TP,3.3x3.3	1	SA	
AMR18	2007-000097	R-CHIP;47Kohm,5%,1/10W,TP,1608	1	SA		AVC02	2203-005148	C-CER,CHIP;100nF,10%,16V,X7R,TP,160	1	SA	
AMR19	2007-000097	R-CHIP;47Kohm,5%,1/10W,TP,1608	1	SA		AVC03	2203-005819	C-CER,CHIP;1000nF,+80-20%,16V,Y5V,-	1	SA	
AMR2	2007-000309	R-CHIP;10ohm,5%,1/10W,TP,1608	1	SA		AVC04	2402-001049	C-AL,SMD;10uF,20%,16V,GP,TP,3.3x3.3	1	SA	
AMR20	2007-000070	R-CHIP;0ohm,5%,1/10W,TP,1608	1	SA		AVC05	2203-005819	C-CER,CHIP;1000nF,+80-20%,16V,Y5V,-	1	SA	
AMR21	2007-000070	R-CHIP;0ohm,5%,1/10W,TP,1608	1	SA		AVC06	2203-005819	C-CER,CHIP;1000nF,+80-20%,16V,Y5V,-	1	SA	
AMR22	2007-000072	R-CHIP;47ohm,5%,1/10W,TP,1608	1	SA		AVC07	2203-005819	C-CER,CHIP;1000nF,+80-20%,16V,Y5V,-	1	SA	
AMR23	2007-000052	R-CHIP;10Kohm,1%,1/10W,TP,1608	1	SA		AVC08	2203-005148	C-CER,CHIP;100nF,10%,16V,X7R,TP,160	1	SA	
AMR24	2007-000052	R-CHIP;10Kohm,1%,1/10W,TP,1608	1	SA		AVC09	2203-005148	C-CER,CHIP;100nF,10%,16V,X7R,TP,160	1	SA	
AMR25	2007-000097	R-CHIP;47Kohm,5%,1/10W,TP,1608	1	SA		AVC10	2402-001042	C-AL,SMD;100uF,20%,16V,GP,TP,6.6x6.	1	SA	
AMR26	2007-000094	R-CHIP;22Kohm,5%,1/10W,TP,1608	1	SA		AVC11	2402-001042	C-AL,SMD;100uF,20%,16V,GP,TP,6.6x6.	1	SA	
AMR27	2007-000094	R-CHIP;22Kohm,5%,1/10W,TP,1608	1	SA		AVC12	2402-001042	C-AL,SMD;100uF,20%,16V,GP,TP,6.6x6.	1	SA	
AMR28	2007-000052	R-CHIP;10Kohm,1%,1/10W,TP,1608	1	SA		AVC13	2402-001042	C-AL,SMD;100uF,20%,16V,GP,TP,6.6x6.	1	SA	
AMR29	2007-000052	R-CHIP;10Kohm,1%,1/10W,TP,1608	1	SA		AVC14	2203-000280	C-CER,CHIP;0.01nF,0.5pF,50V,C0G,160	1	SA	
AMR3	2007-000072	R-CHIP;47ohm,5%,1/10W,TP,1608	1	SA		AVC15	2203-000280	C-CER,CHIP;0.01nF,0.5pF,50V,C0G,160	1	SA	
AMR30	2007-002425	R-CHIP;1ohm,5%,1/10W,TP,1608	1	SA		AVC16	2203-000280	C-CER,CHIP;0.01nF,0.5pF,50V,C0G,160	1	SA	
AMR31	2007-000052	R-CHIP;10Kohm,1%,1/10W,TP,1608	1	SA		AVC17	2203-000280	C-CER,CHIP;0.01nF,0.5pF,50V,C0G,160	1	SA	
AMR32	2007-000094	R-CHIP;22Kohm,5%,1/10W,TP,1608	1	SA		AVR01	2007-001167	R-CHIP;75ohm,5%,1/10W,TP,1608	1	SA	
AMR33	2007-000116	R-CHIP;120ohm,5%,1/10W,TP,1608	1	SA		AVR02	2007-001167	R-CHIP;75ohm,5%,1/10W,TP,1608	1	SA	
AMR34	2007-000072	R-CHIP;47ohm,5%,1/10W,TP,1608	1	SA		AVR03	2007-001167	R-CHIP;75ohm,5%,1/10W,TP,1608	1	SA	
AMR35	2007-000109	R-CHIP;1Mohm,5%,1/10W,TP,1608	1	SA		AVR04	2007-001167	R-CHIP;75ohm,5%,1/10W,TP,1608	1	SA	
AMR36	2007-000113	R-CHIP;33ohm,5%,1/10W,TP,1608	1	SA		AVR05	2007-001167	R-CHIP;75ohm,5%,1/10W,TP,1608	1	SA	
AMR37	2007-000094	R-CHIP;22Kohm,5%,1/10W,TP,1608	1	SA		AVR06	2007-000125	R-CHIP;3.9Kohm,5%,1/10W,TP,1608	1	SA	
AMR38	2007-000074	R-CHIP;100ohm,5%,1/10W,TP,1608	1	SA		AVR08	2007-001167	R-CHIP;75ohm,5%,1/10W,TP,1608	1	SA	
AMR39	2007-000074	R-CHIP;100ohm,5%,1/10W,TP,1608	1	SA		AVR09	2007-001167	R-CHIP;75ohm,5%,1/10W,TP,1608	1	SA	
AMR4	2007-000072	R-CHIP;47ohm,5%,1/10W,TP,1608	1	SA		AVR10	2007-001167	R-CHIP;75ohm,5%,1/10W,TP,1608	1	SA	
AMR40	2007-000074	R-CHIP;100ohm,5%,1/10W,TP,1608	1	SA		AVR12	2007-000084	R-CHIP;4.7Kohm,5%,1/10W,TP,1608	1	SA	
AMR41	2007-000074	R-CHIP;100ohm,5%,1/10W,TP,1608	1	SA		AVR13	2007-001167	R-CHIP;75ohm,5%,1/10W,TP,1608	1	SA	
AMR43	2007-000072	R-CHIP;47ohm,5%,1/10W,TP,1608	1	SA		AVR14	2007-001167	R-CHIP;75ohm,5%,1/10W,TP,1608	1	SA	
AMR44	2007-000072	R-CHIP;47ohm,5%,1/10W,TP,1608	1	SA		AVR15	2007-001167	R-CHIP;75ohm,5%,1/10W,TP,1608	1	SA	
AMR45	2007-000072	R-CHIP;47ohm,5%,1/10W,TP,1608	1	SA		AVR16	2007-001167	R-CHIP;75ohm,5%,1/10W,TP,1608	1	SA	
AMR46	2007-000072	R-CHIP;47ohm,5%,1/10W,TP,1608	1	SA		AVR54	2007-000072	R-CHIP;47ohm,5%,1/10W,TP,1608	1	SA	
AMR47	2007-000072	R-CHIP;47ohm,5%,1/10W,TP,1608	1	SA		C100	2402-001059	C-AL,SMD;220##F,20%,6.3V,-,TP,6x6.6	1	SA	
AMR48	2007-000072	R-CHIP;47ohm,5%,1/10W,TP,1608	1	SA		C101	2203-005249	C-CER,CHIP;100nF,10%,50V,X7R,1608	1	SA	
AMR49	2007-000072	R-CHIP;47ohm,5%,1/10W,TP,1608	1	SA		C102	2203-005249	C-CER,CHIP;100nF,10%,50V,X7R,1608	1	SA	
AMR5	2007-000072	R-CHIP;47ohm,5%,1/10W,TP,1608	1	SA		C103	2402-000167	C-AL,SMD;100uF,20%,10V,-,-6.6x6.6x	1	SA	
AMR50	2007-000072	R-CHIP;47ohm,5%,1/10W,TP,1608	1	SA		C139	2402-001049	C-AL,SMD;10uF,20%,16V,GP,TP,3.3x3.3	1	SA	
AMR51	2007-000072	R-CHIP;47ohm,5%,1/10W,TP,1608	1	SA		C142	2203-000257	C-CER,CHIP;10nF,10%,50V,X7R,TP,1608	1	SA	
AMR52	2007-000072	R-CHIP;47ohm,5%,1/10W,TP,1608	1	SA		C175	2203-005249	C-CER,CHIP;100nF,10%,50V,X7R,1608	1	SA	
AMR53	2007-000072	R-CHIP;47ohm,5%,1/10W,TP,1608	1	SA		C176	2402-001059	C-AL,SMD;220##F,20%,6.3V,-,TP,6x6.6	1	SA	
AMR6	2007-000072	R-CHIP;47ohm,5%,1/10W,TP,1608	1	SA		C180	2402-001059	C-AL,SMD;220##F,20%,6.3V,-,TP,6x6.6	1	SA	
AMR7	2007-000052	R-CHIP;10Kohm,1%,1/10W,TP,1608	1	SA		C181	2402-001059	C-AL,SMD;220##F,20%,6.3V,-,TP,6x6.6	1	SA	
AMR8	2007-000052	R-CHIP;10Kohm,1%,1/10W,TP,1608	1	SA		C182	2402-001059	C-AL,SMD;220##F,20%,6.3V,-,TP,6x6.6	1	SA	
AMR9	2007-000052	R-CHIP;10Kohm,1%,1/10W,TP,1608	1	SA		C183	2203-005249	C-CER,CHIP;100nF,10%,50V,X7R,1608	1	SA	
AR1	2007-000086	R-CHIP;5.6Kohm,5%,1/10W,TP,1608	1	SA		C184	2203-005249	C-CER,CHIP;100nF,10%,50V,X7R,1608	1	SA	
AR19	2007-000074	R-CHIP;100ohm,5%,1/10W,TP,1608	1	SA		C185	2203-005249	C-CER,CHIP;100nF,10%,50V,X7R,1608	1	SA	
AR2	2007-000102	R-CHIP;100Kohm,5%,1/10W,TP,1608	1	SA		C186	2203-005249	C-CER,CHIP;100nF,10%,50V,X7R,1608	1	SA	
AR24	2007-000074	R-CHIP;100ohm,5%,1/10W,TP,1608	1	SA		C187	2203-005249	C-CER,CHIP;100nF,10%,50V,X7R,1608	1	SA	
AR25	2007-000074	R-CHIP;100ohm,5%,1/10W,TP,1608	1	SA		C188	2203-005249	C-CER,CHIP;100nF,10%,50V,X7R,1608	1	SA	
AR28	2007-000076	R-CHIP;330ohm,5%,1/10W,TP,1608	1	SA		C189	2203-005249	C-CER,CHIP;100nF,10%,50V,X7R,1608	1	SA	
AR3	2007-000102	R-CHIP;100Kohm,5%,1/10W,TP,1608	1	SA		C190	2203-005249	C-CER,CHIP;100nF,10%,50V,X7R,1608	1	SA	
AR30	2007-000074	R-CHIP;100ohm,5%,1/10W,TP,1608	1	SA		C191	2203-005249	C-CER,CHIP;100nF,10%,50V,X7R,1608	1	SA	
AR31	2007-000074	R-CHIP;100ohm,5%,1/10W,TP,1608	1	SA		C192	2203-005249	C-CER,CHIP;100nF,10%,50V,X7R,1608	1	SA	
AR32	2007-000078	R-CHIP;1Kohm,5%,1/10W,TP,1608	1	SA		C193	2203-005249	C-CER,CHIP;100nF,10%,50V,X7R,1608	1	SA	
AR37	2007-000074	R-CHIP;100ohm,5%,1/10W,TP,1608	1	SA		C194	2203-005249	C-CER,CHIP;100nF,10%,50V,X7R,1608	1	SA	
AR38	2007-000074	R-CHIP;100ohm,5%,1/10W,TP,1608	1	SA		C195	2203-005249	C-CER,CHIP;100nF,10%,50V,X7R,1608	1	SA	
AR39	2007-000074	R-CHIP;100ohm,5%,1/10W,TP,1608	1	SA		C196	2203-005249	C-CER,CHIP;100nF,10%,50V,X7R,1608	1	SA	

Exploded View & Part List

Loc. No.	Part No.	Description;Specification	Q'ty	SNA	Remark	Loc. No.	Part No.	Description;Specification	Q'ty	SNA	Remark
C197	2203-005249	C-CER,CHIP;100nF,10%,50V,X7R,1608	1	SA		CR7	2007-000090	R-CHIP;10Kohm,5%,1/10W,TP,1608	1	SA	
C198	2203-005249	C-CER,CHIP;100nF,10%,50V,X7R,1608	1	SA							
C20	2402-001059	C-AL,SMD;220##F,20%,6.3V,-,TP,6x6.6	1	SA		CR9	2007-000090	R-CHIP;10Kohm,5%,1/10W,TP,1608	1	SA	
C3	2402-001049	C-AL,SMD;10uF,20%,16V,GP,TP,3.3x3.3	1	SA		CSR1	2007-000084	R-CHIP;4.7Kohm,5%,1/10W,TP,1608	1	SA	
C4	2203-005249	C-CER,CHIP;100nF,10%,50V,X7R,1608	1	SA		CX1	2802-001165	RESONATOR-CERAMIC;4MHz,0.5%,TP,4.5x	1	SA	
						D4	0401-001099	DIODE-SWITCHING;1N4148WS,75V,150mA,	1	SA	
C5	2203-005249	C-CER,CHIP;100nF,10%,50V,X7R,1608	1	SA		DR28	2007-000113	R-CHIP;33ohm,5%,1/10W,TP,1608	1	SA	
CC1	2203-005148	C-CER,CHIP;100nF,10%,16V,X7R,TP,160	1	SA							
CC2	2402-000167	C-AL,SMD;100uF,20%,10V,-,-,6.6x6.6x	1	SA		DR29	2007-000113	R-CHIP;33ohm,5%,1/10W,TP,1608	1	SA	
CC3	2203-005148	C-CER,CHIP;100nF,10%,16V,X7R,TP,160	1	SA		DR33	2007-000113	R-CHIP;33ohm,5%,1/10W,TP,1608	1	SA	
CC4	2203-005065	C-CER,CHIP;1000nF,+80-20%,10V,Y5V,1	1	SA		ESD5	0406-001128	DIODE-TVS;MLVS-0603-E08,50V,-,-	1	SA	
						FB1	3301-001069	BEAD-SMD;120ohm,1.6x0.8x0.8mm,200mA	1	SA	
CC5	2402-000167	C-AL,SMD;100uF,20%,10V,-,-,6.6x6.6x	1	SA		FB2	3301-001069	BEAD-SMD;120ohm,1.6x0.8x0.8mm,200mA	1	SA	
CC6	2203-005148	C-CER,CHIP;100nF,10%,16V,X7R,TP,160	1	SA							
CC7	2203-005148	C-CER,CHIP;100nF,10%,16V,X7R,TP,160	1	SA		FB3	3301-001069	BEAD-SMD;120ohm,1.6x0.8x0.8mm,200mA	1	SA	
CIC1	AK09-00159A	IC MICOM;-,MC80C0316-MC015 D32,44,2	1	SA		FC1	2203-005148	C-CER,CHIP;100nF,10%,16V,X7R,TP,160	1	SA	
CIC2	1103-001333	IC-EEPROM;24C08A,1Kx8Bit,SOP,8P,5x4	1	SA		FC6	2203-005148	C-CER,CHIP;100nF,10%,16V,X7R,TP,160	1	SA	
						FQ01	0504-000156	TR-DIGITAL;KSR2103,PNP,200MW,22K/22	1	SA	
CIC3	1203-002425	IC-POSIFIXED REG.;1117,SOT-223,3P,	1	SA		FR14	2007-000646	R-CHIP;270ohm,5%,1/4W,TP,3216	1	SA	
CIC4	0505-001679	FET-SILICON;FDC6301N,N,25V,0.22A,50	1	SA							
CL1	3301-001495	BEAD-SMD;120ohm,2012,2500mA,TP,115o	1	SA		HC1	2203-005148	C-CER,CHIP;100nF,10%,16V,X7R,TP,160	1	SA	
CL2	3301-001495	BEAD-SMD;120ohm,2012,2500mA,TP,115o	1	SA		HC10	2203-005148	C-CER,CHIP;100nF,10%,16V,X7R,TP,160	1	SA	
CN1	3708-001958	CONNECTOR-FPC/FFC/PIC;13P,1.25MM,SM	1	SA		HC11	2203-005148	C-CER,CHIP;100nF,10%,16V,X7R,TP,160	1	SA	
						HC12	2402-001059	C-AL,SMD;220##F,20%,6.3V,-,TP,6x6.6	1	SA	
CN11	3708-001837	CONNECTOR-FPC/FFC/PIC;15P,1mm,SMD-S	1	SA		HC13	2203-005148	C-CER,CHIP;100nF,10%,16V,X7R,TP,160	1	SA	
CN2	3708-002403	CONNECTOR-FPC/FFC/PIC;23P,1mm,SMD-S	1	SA							
CN3	3708-001767	CONNECTOR-FPC/FFC/PIC;20P,1mm,SMD-S	1	SA		HC14	2203-005148	C-CER,CHIP;100nF,10%,16V,X7R,TP,160	1	SA	
CN5	3711-003591	HEADER-BOARD TO CABLE;BOX,4P,1R,2mm	1	SA		HC15	2402-001059	C-AL,SMD;220##F,20%,6.3V,-,TP,6x6.6	1	SA	
CN6	3708-002023	CONNECTOR-FPC/FFC/PIC;6P,1MM,SMD-S,	1	SA		HC16	2203-005148	C-CER,CHIP;100nF,10%,16V,X7R,TP,160	1	SA	
						HC17	2203-005148	C-CER,CHIP;100nF,10%,16V,X7R,TP,160	1	SA	
CN7	3711-003591	HEADER-BOARD TO CABLE;BOX,4P,1R,2mm	1	SA		HC18	2203-005065	C-CER,CHIP;1000nF,+80-20%,10V,Y5V,1	1	SA	
CN8	3711-003591	HEADER-BOARD TO CABLE;BOX,4P,1R,2mm	1	SA							
CN9	3711-003591	HEADER-BOARD TO CABLE;BOX,4P,1R,2mm	1	SA		HC19	2402-001059	C-AL,SMD;220##F,20%,6.3V,-,TP,6x6.6	1	SA	
CQ1	0501-000341	TR-SMALL SIGNAL;KSC1623-L,NPN,200mW	1	SA		HC2	2203-005148	C-CER,CHIP;100nF,10%,16V,X7R,TP,160	1	SA	
CR1	2007-000070	R-CHIP;0ohm,5%,1/10W,TP,1608	1	SA		HC20	2203-005148	C-CER,CHIP;100nF,10%,16V,X7R,TP,160	1	SA	
						HC21	2203-005065	C-CER,CHIP;1000nF,+80-20%,10V,Y5V,1	1	SA	
CR10	2007-000090	R-CHIP;10Kohm,5%,1/10W,TP,1608	1	SA		HC22	2203-005065	C-CER,CHIP;1000nF,+80-20%,10V,Y5V,1	1	SA	
CR11	2007-000090	R-CHIP;10Kohm,5%,1/10W,TP,1608	1	SA							
CR12	2007-000090	R-CHIP;10Kohm,5%,1/10W,TP,1608	1	SA		HC23	2203-005148	C-CER,CHIP;100nF,10%,16V,X7R,TP,160	1	SA	
CR13	2007-000090	R-CHIP;10Kohm,5%,1/10W,TP,1608	1	SA		HC24	2402-001059	C-AL,SMD;220##F,20%,6.3V,-,TP,6x6.6	1	SA	
CR14	2007-000074	R-CHIP;100ohm,5%,1/10W,TP,1608	1	SA		HC25	2203-005148	C-CER,CHIP;100nF,10%,16V,X7R,TP,160	1	SA	
						HC26	2203-005148	C-CER,CHIP;100nF,10%,16V,X7R,TP,160	1	SA	
CR15	2007-000074	R-CHIP;100ohm,5%,1/10W,TP,1608	1	SA		HC27	2203-005148	C-CER,CHIP;100nF,10%,16V,X7R,TP,160	1	SA	
CR17	2007-000074	R-CHIP;100ohm,5%,1/10W,TP,1608	1	SA							
CR2	2007-000071	R-CHIP;22ohm,5%,1/10W,TP,1608	1	SA		HC28	2203-005148	C-CER,CHIP;100nF,10%,16V,X7R,TP,160	1	SA	
CR24	2007-000090	R-CHIP;10Kohm,5%,1/10W,TP,1608	1	SA		HC29	2203-005148	C-CER,CHIP;100nF,10%,16V,X7R,TP,160	1	SA	
CR26	2007-000090	R-CHIP;10Kohm,5%,1/10W,TP,1608	1	SA		HC3	2203-005148	C-CER,CHIP;100nF,10%,16V,X7R,TP,160	1	SA	
						HC30	2402-001059	C-AL,SMD;220##F,20%,6.3V,-,TP,6x6.6	1	SA	
CR28	2007-000109	R-CHIP;1Mohm,5%,1/10W,TP,1608	1	SA		HC31	2402-001059	C-AL,SMD;220##F,20%,6.3V,-,TP,6x6.6	1	SA	
CR29	2007-000074	R-CHIP;100ohm,5%,1/10W,TP,1608	1	SA							
CR3	2007-000071	R-CHIP;22ohm,5%,1/10W,TP,1608	1	SA		HC32	2203-005148	C-CER,CHIP;100nF,10%,16V,X7R,TP,160	1	SA	
CR30	2007-000090	R-CHIP;10Kohm,5%,1/10W,TP,1608	1	SA		HC35	2203-005148	C-CER,CHIP;100nF,10%,16V,X7R,TP,160	1	SA	
CR31	2007-000090	R-CHIP;10Kohm,5%,1/10W,TP,1608	1	SA		HC36	2402-001049	C-AL,SMD;10uF,20%,16V,GP,TP,3.3x3.3	1	SA	
						HC37	2203-005148	C-CER,CHIP;100nF,10%,16V,X7R,TP,160	1	SA	
CR32	2007-000090	R-CHIP;10Kohm,5%,1/10W,TP,1608	1	SA		HC39	2402-001042	C-AL,SMD;100uF,20%,16V,GP,TP,6.6x6.6	1	SA	
CR39	2007-000084	R-CHIP;4.7Kohm,5%,1/10W,TP,1608	1	SA							
CR4	2007-000084	R-CHIP;4.7Kohm,5%,1/10W,TP,1608	1	SA		HC4	2203-005148	C-CER,CHIP;100nF,10%,16V,X7R,TP,160	1	SA	
CR40	2007-000070	R-CHIP;0ohm,5%,1/10W,TP,1608	1	SA		HC40	2203-005148	C-CER,CHIP;100nF,10%,16V,X7R,TP,160	1	SA	
CR41	2007-000070	R-CHIP;0ohm,5%,1/10W,TP,1608	1	SA		HC5	2203-005148	C-CER,CHIP;100nF,10%,16V,X7R,TP,160	1	SA	
						HC6	2203-005065	C-CER,CHIP;1000nF,+80-20%,10V,Y5V,1	1	SA	
CR42	2007-000074	R-CHIP;100ohm,5%,1/10W,TP,1608	1	SA		HC7	2203-005065	C-CER,CHIP;1000nF,+80-20%,10V,Y5V,1	1	SA	
CR43	2007-000090	R-CHIP;10Kohm,5%,1/10W,TP,1608	1	SA							
CR44	2007-000078	R-CHIP;1Kohm,5%,1/10W,TP,1608	1	SA		HC8	2402-001059	C-AL,SMD;220##F,20%,6.3V,-,TP,6x6.6	1	SA	
CR45	2007-000081	R-CHIP;2.7Kohm,5%,1/10W,TP,1608	1	SA		HC9	2203-005148	C-CER,CHIP;100nF,10%,16V,X7R,TP,160	1	SA	
CR46	2007-000093	R-CHIP;20Kohm,5%,1/10W,TP,1608	1	SA		HCN1	3701-001320	CONNECTOR-HDMI;19P,2R,FEMALE,DIP,4U	1	SA	
						HD2	0401-001090	DIODE-SWITCHING;1SS355,80V,100MA,SO	1	SA	
CR47	2007-000074	R-CHIP;100ohm,5%,1/10W,TP,1608	1	SA		HD3	0402-000309	DIODE-RECTIFIER;1SR154-400,400V,1A,	1	SA	
CR48	2007-000102	R-CHIP;100Kohm,5%,1/10W,TP,1608	1	SA							
CR5	2007-000084	R-CHIP;4.7Kohm,5%,1/10W,TP,1608	1	SA		HD4	0406-001128	DIODE-TVS;MLVS-0603-E08,50V,-,-	1	SA	
CR6	2007-000084	R-CHIP;4.7Kohm,5%,1/10W,TP,1608	1	SA		HIC1	1205-003381	IC-TRANSMITTER;ES7108S,LQFP,80P,12x	1	SA	

Loc. No.	Part No.	Description;Specification	Q'ty	SNA	Remark	Loc. No.	Part No.	Description;Specification	Q'ty	SNA	Remark
HIC3	1203-002935	IC-POS1.ADJUST REG.;AIC1117ACE,TO-2	1	SA		HR11	2007-000074	R-CHIP;100ohm,5%,1/10W,TP,1608	1	SA	
HL1	2901-001302	FILTER-EMI SMD;20V,0.3A,0pF,2.0x1.2	1	SA		HR12	2007-000074	R-CHIP;100ohm,5%,1/10W,TP,1608	1	SA	
HL10	3301-001495	BEAD-SMD;120ohm,2012,2500mA,TP,115o	1	SA		HR13	2007-000503	R-CHIP;2.2ohm,5%,1/10W,TP,1608	1	SA	
HL14	3301-001495	BEAD-SMD;120ohm,2012,2500mA,TP,115o	1	SA		HR14	2007-000503	R-CHIP;2.2ohm,5%,1/10W,TP,1608	1	SA	
HL15	3301-001069	BEAD-SMD;120ohm,1.6x0.8x0.8mm,200mA	1	SA		HR15	2007-000503	R-CHIP;2.2ohm,5%,1/10W,TP,1608	1	SA	
HL2	2901-001302	FILTER-EMI SMD;20V,0.3A,0pF,2.0x1.2	1	SA		HR16	2007-000503	R-CHIP;2.2ohm,5%,1/10W,TP,1608	1	SA	
HL3	2901-001302	FILTER-EMI SMD;20V,0.3A,0pF,2.0x1.2	1	SA		HR17	2007-000503	R-CHIP;2.2ohm,5%,1/10W,TP,1608	1	SA	
HL4	2901-001302	FILTER-EMI SMD;20V,0.3A,0pF,2.0x1.2	1	SA		HR18	2007-000503	R-CHIP;2.2ohm,5%,1/10W,TP,1608	1	SA	
HL5	3301-001495	BEAD-SMD;120ohm,2012,2500mA,TP,115o	1	SA		HR19	2007-000503	R-CHIP;2.2ohm,5%,1/10W,TP,1608	1	SA	
HL6	3301-001495	BEAD-SMD;120ohm,2012,2500mA,TP,115o	1	SA		HR2	2007-000074	R-CHIP;100ohm,5%,1/10W,TP,1608	1	SA	
HL7	3301-001495	BEAD-SMD;120ohm,2012,2500mA,TP,115o	1	SA		HR20	2007-000503	R-CHIP;2.2ohm,5%,1/10W,TP,1608	1	SA	
HL8	3301-001495	BEAD-SMD;120ohm,2012,2500mA,TP,115o	1	SA		HR21	2007-000070	R-CHIP;0ohm,5%,1/10W,TP,1608	1	SA	
HMQ1	0504-000156	TR-DIGITAL;KSR2103,PNP,200MW,22K/22	1	SA		HR22	2007-000070	R-CHIP;0ohm,5%,1/10W,TP,1608	1	SA	
HMQ2	0504-000128	TR-DIGITAL;-NPN,200MW,22K/22K,SOT-	1	SA		HR23	2007-000084	R-CHIP;4.7Kohm,5%,1/10W,TP,1608	1	SA	
HMQ3	0501-002184	TR-SMALL SIGNAL;KTD1304,NPN,200mW,S	1	SA		HR26	2007-000075	R-CHIP;220ohm,5%,1/10W,TP,1608	1	SA	
HMQ4	0501-002184	TR-SMALL SIGNAL;KTD1304,NPN,200mW,S	1	SA		HR27	2007-000077	R-CHIP;470ohm,5%,1/10W,TP,1608	1	SA	
HMR1	2007-000076	R-CHIP;330ohm,5%,1/10W,TP,1608	1	SA		HR3	2007-000084	R-CHIP;4.7Kohm,5%,1/10W,TP,1608	1	SA	
HMR2	2007-000075	R-CHIP;220ohm,5%,1/10W,TP,1608	1	SA		HR4	2007-000084	R-CHIP;4.7Kohm,5%,1/10W,TP,1608	1	SA	
HMR3	2007-000075	R-CHIP;220ohm,5%,1/10W,TP,1608	1	SA		HR5	2007-000078	R-CHIP;1Kohm,5%,1/10W,TP,1608	1	SA	
HMR4	2007-000102	R-CHIP;100Kohm,5%,1/10W,TP,1608	1	SA		HR6	2007-000097	R-CHIP;47Kohm,5%,1/10W,TP,1608	1	SA	
HMR5	2007-000102	R-CHIP;100Kohm,5%,1/10W,TP,1608	1	SA		HR7	2007-000084	R-CHIP;4.7Kohm,5%,1/10W,TP,1608	1	SA	
HMR6	2007-000102	R-CHIP;100Kohm,5%,1/10W,TP,1608	1	SA		HR8	2007-000084	R-CHIP;4.7Kohm,5%,1/10W,TP,1608	1	SA	
HPC1	2203-005148	C-CER,CHIP;100nF,10%,16V,X7R,TP,160	1	SA		HR9	2007-000084	R-CHIP;4.7Kohm,5%,1/10W,TP,1608	1	SA	
HPC10	2402-000008	C-AL,SMD;47uF,20%,16V,GP,TP,6.6x6.6	1	SA		JCNO1	3710-002593	SOCKET-BOARD TO BOARD;28P,2R,1mm,SM	1	SA	
HPC11	2402-000008	C-AL,SMD;47uF,20%,16V,GP,TP,6.6x6.6	1	SA		JIC01	1204-001978	IC-VIDEO PROCESS;LA73054,-,36P,-,SS	1	SA	
HPC12	2203-000236	C-CER,CHIP;0.1nF,5%,50V,COG,1608	1	SA		JL01	3301-001495	BEAD-SMD;120ohm,2012,2500mA,TP,115o	1	SA	
HPC13	2203-000236	C-CER,CHIP;0.1nF,5%,50V,COG,1608	1	SA		JL02	2703-002238	INDUCTOR-SMD;1UH,5%,2012	1	SA	
HPC14	2402-001042	C-AL,SMD;100uF,20%,16V,GP,TP,6.6x6.6	1	SA		JL03	2703-002238	INDUCTOR-SMD;1UH,5%,2012	1	SA	
HPC15	2402-001042	C-AL,SMD;100uF,20%,16V,GP,TP,6.6x6.6	1	SA		JL04	2703-002238	INDUCTOR-SMD;1UH,5%,2012	1	SA	
HPC16	2203-000998	C-CER,CHIP;0.047nF,5%,50V,COG,1608	1	SA		JL05	2703-002238	INDUCTOR-SMD;1UH,5%,2012	1	SA	
HPC17	2203-000998	C-CER,CHIP;0.047nF,5%,50V,COG,1608	1	SA		MB01	3301-001495	BEAD-SMD;120ohm,2012,2500mA,TP,115o	1	SA	
HPC18	2203-000998	C-CER,CHIP;0.047nF,5%,50V,COG,1608	1	SA		MB02	3301-001495	BEAD-SMD;120ohm,2012,2500mA,TP,115o	1	SA	
HPC2	2203-000531	C-CER,CHIP;2.7nF,10%,50V,X7R,1608	1	SA		MB03	3301-001495	BEAD-SMD;120ohm,2012,2500mA,TP,115o	1	SA	
HPC21	2203-000236	C-CER,CHIP;0.1nF,5%,50V,COG,1608	1	SA		MB04	3301-001069	BEAD-SMD;120ohm,1.6x0.8x0.8mm,200mA	1	SA	
HPC22	2203-000236	C-CER,CHIP;0.1nF,5%,50V,COG,1608	1	SA		MB07	3301-001495	BEAD-SMD;120ohm,2012,2500mA,TP,115o	1	SA	
HPC23	2203-000998	C-CER,CHIP;0.047nF,5%,50V,COG,1608	1	SA		MB08	3301-001495	BEAD-SMD;120ohm,2012,2500mA,TP,115o	1	SA	
HPC26	2203-000236	C-CER,CHIP;0.1nF,5%,50V,COG,1608	1	SA		MB10	3301-001495	BEAD-SMD;120ohm,2012,2500mA,TP,115o	1	SA	
HPC27	2203-000236	C-CER,CHIP;0.1nF,5%,50V,COG,1608	1	SA		MC01	2402-001096	C-AL,SMD;220UF,20%,16V,GP,TP,6.6X6.6	1	SA	
HPC28	2203-000236	C-CER,CHIP;0.1nF,5%,50V,COG,1608	1	SA		MC02	2203-005148	C-CER,CHIP;100nF,10%,16V,X7R,TP,160	1	SA	
HPC29	2203-000236	C-CER,CHIP;0.1nF,5%,50V,COG,1608	1	SA		MC03	2203-005148	C-CER,CHIP;100nF,10%,16V,X7R,TP,160	1	SA	
HPC3	2203-000236	C-CER,CHIP;0.1nF,5%,50V,COG,1608	1	SA		MC04	2203-005148	C-CER,CHIP;100nF,10%,16V,X7R,TP,160	1	SA	
HPC4	2203-000257	C-CER,CHIP;10nF,10%,50V,X7R,TP,1608	1	SA		MC05	2203-000280	C-CER,CHIP;0.01nF,0.5pF,50V,COG,160	1	SA	
HPC5	2203-000531	C-CER,CHIP;2.7nF,10%,50V,X7R,1608	1	SA		MC06	2203-000280	C-CER,CHIP;0.01nF,0.5pF,50V,COG,160	1	SA	
HPC6	2203-000236	C-CER,CHIP;0.1nF,5%,50V,COG,1608	1	SA		MC07	2402-001096	C-AL,SMD;220UF,20%,16V,GP,TP,6.6X6.6	1	SA	
HPD5	0401-001090	DIODE-SWITCHING;1SS355,80V,100MA,SO	1	SA		MC08	2203-005148	C-CER,CHIP;100nF,10%,16V,X7R,TP,160	1	SA	
HPD6	0401-001090	DIODE-SWITCHING;1SS355,80V,100MA,SO	1	SA		MC09	2203-005148	C-CER,CHIP;100nF,10%,16V,X7R,TP,160	1	SA	
HPIC1	1201-000163	IC-OP AMP;4560,SOP,8P,173MIL,DUAL,1	1	SA		MC10	2203-005148	C-CER,CHIP;100nF,10%,16V,X7R,TP,160	1	SA	
HPL1	2703-000275	INDUCTOR-SMD;33UH,10%,2012	1	SA		MC100	2203-000189	C-CER,CHIP;100nF,+80-20%,25V,Y5V,16	1	SA	
HPL10	2703-000404	INDUCTOR-SMD;220uH,10%,3225	1	SA		MC101	2402-000008	C-AL,SMD;47uF,20%,16V,GP,TP,6.6x6.6	1	SA	
HPL11	2703-000404	INDUCTOR-SMD;220uH,10%,3225	1	SA		MC11	2203-005148	C-CER,CHIP;100nF,10%,16V,X7R,TP,160	1	SA	
HPL2	3301-000314	BEAD-SMD;120ohm,1.6x0.8x0.8mm,-,-,-	1	SA		MC12	2402-000136	C-AL,SMD;22uF,20%,16V,GP,TP,5.3x5.3	1	SA	
HPL3	2703-000275	INDUCTOR-SMD;33UH,10%,2012	1	SA		MC13	2203-000236	C-CER,CHIP;0.1nF,5%,50V,COG,1608	1	SA	
HPL4	3301-000314	BEAD-SMD;120ohm,1.6x0.8x0.8mm,-,-,-	1	SA		MC14	2203-001126	C-CER,CHIP;0.68nF,10%,50V,X7R,1608	1	SA	
HQ1	0504-000128	TR-DIGITAL;-NPN,200MW,22K/22K,SOT-	1	SA		MC15	2203-000257	C-CER,CHIP;10nF,10%,50V,X7R,TP,1608	1	SA	
HQ2	0505-000110	FET-SILICON;2N7002,N.60V,115mA,7.5o	1	SA		MC16	2402-000136	C-AL,SMD;22uF,20%,16V,GP,TP,5.3x5.3	1	SA	
HQ3	0505-000110	FET-SILICON;2N7002,N.60V,115mA,7.5o	1	SA		MC17	2203-001652	C-CER,CHIP;470nF,+80-20%,16V,Y5V,16	1	SA	
HR1	2007-000074	R-CHIP;100ohm,5%,1/10W,TP,1608	1	SA		MC18	2203-000257	C-CER,CHIP;10nF,10%,50V,X7R,TP,1608	1	SA	
HR10	2007-000729	R-CHIP;300ohm,5%,1/10W,TP,1608	1	SA		MC19	2203-001652	C-CER,CHIP;470nF,+80-20%,16V,Y5V,16	1	SA	
						MC20	2203-000257	C-CER,CHIP;10nF,10%,50V,X7R,TP,1608	1	SA	

Exploded View & Part List

Loc. No.	Part No.	Description;Specification	Q'ty	SNA	Remark	Loc. No.	Part No.	Description;Specification	Q'ty	SNA	Remark
MC21	2402-001049	C-AL,SMD;10uF,20%,16V,GP,TP,3.3x3.3	1	SA		MC88	2203-005148	C-CER,CHIP;100nF,10%,16V,X7R,TP,160	1	SA	
MC22	2203-001126	C-CER,CHIP;0.68nF,10%,50V,X7R,1608	1	SA		MC89	2203-005148	C-CER,CHIP;100nF,10%,16V,X7R,TP,160	1	SA	
MC23	2203-005148	C-CER,CHIP;100nF,10%,16V,X7R,TP,160	1	SA		MC90	2402-001049	C-AL,SMD;10uF,20%,16V,GP,TP,3.3x3.3	1	SA	
MC24	2402-000136	C-AL,SMD;22uF,20%,16V,GP,TP,5.3x5.3	1	SA		MC91	2402-001049	C-AL,SMD;10uF,20%,16V,GP,TP,3.3x3.3	1	SA	
MC25	2203-005148	C-CER,CHIP;100nF,10%,16V,X7R,TP,160	1	SA		MC92	2203-005148	C-CER,CHIP;100nF,10%,16V,X7R,TP,160	1	SA	
MC26	2203-005148	C-CER,CHIP;100nF,10%,16V,X7R,TP,160	1	SA		MC96	2402-000008	C-AL,SMD;47uF,20%,16V,GP,TP,6.6x6.6	1	SA	
MC27	2402-000136	C-AL,SMD;22uF,20%,16V,GP,TP,5.3x5.3	1	SA		MC97	2402-001096	C-AL,SMD;220UF,20%,16V,GP,TP,6.6X6.6	1	SA	
MC28	2203-005148	C-CER,CHIP;100nF,10%,16V,X7R,TP,160	1	SA		MC98	2203-005148	C-CER,CHIP;100nF,10%,16V,X7R,TP,160	1	SA	
MC29	2203-005148	C-CER,CHIP;100nF,10%,16V,X7R,TP,160	1	SA		MC99	2402-001049	C-AL,SMD;10uF,20%,16V,GP,TP,3.3x3.3	1	SA	
MC30	2203-005148	C-CER,CHIP;100nF,10%,16V,X7R,TP,160	1	SA		MD01	0401-001090	DIODE-SWITCHING;1SS355,80V,100MA,SO	1	SA	
MC31	2203-005148	C-CER,CHIP;100nF,10%,16V,X7R,TP,160	1	SA		MD04	0401-001090	DIODE-SWITCHING;1SS355,80V,100MA,SO	1	SA	
MC32	2203-000440	C-CER,CHIP;1nF,10%,50V,X7R,1608	1	SA		MD05	0401-001090	DIODE-SWITCHING;1SS355,80V,100MA,SO	1	SA	
MC33	2203-005148	C-CER,CHIP;100nF,10%,16V,X7R,TP,160	1	SA		MIC1	1204-002847	IC-PAL/NTSC DECODER;ES8391SCC,LQFP,	1	SA	
MC34	2203-000236	C-CER,CHIP;0.1nF,5%,50V,COG,1608	1	SA		MIC10	0801-002391	IC-CMOS LOGIC;74LCX00,NAND GATE,TSS	1	SA	
MC35	2203-005148	C-CER,CHIP;100nF,10%,16V,X7R,TP,160	1	SA		MIC2	1105-001573	IC-DRAM;K4S281632,-,128Mbit,8Mx16Bi	1	SA	
MC37	2203-000280	C-CER,CHIP;0.01nF,0.5pF,50V,COG,160	1	SA		MIC3	1107-001600	IC-NOR FLASH;MX25L1605A,16Mbit,2Mx8	1	SA	
MC38	2203-002398	C-CER,CHIP;22nF,10%,50V,X7R,1608	1	SA		MIC5	0801-002683	IC-CMOS LOGIC;74HCT245,TRANSEIVER,	1	SA	
MC39	2402-000136	C-AL,SMD;22uF,20%,16V,GP,TP,5.3x5.3	1	SA		MIC6	1103-001333	IC-EEPROM;24C08A,1Kx8Bit,SOP,8P,5x4	1	SA	
MC42	2203-005065	C-CER,CHIP;1000nF,+80-20%,10V,Y5V,1	1	SA		ML15	3301-001495	BEAD-SMD;120ohm,2012,2500mA,TP,115o	1	SA	
MC43	2203-000888	C-CER,CHIP;4.7nF,10%,50V,X7R,1608	1	SA		ML20	3301-001495	BEAD-SMD;120ohm,2012,2500mA,TP,115o	1	SA	
MC44	2203-000440	C-CER,CHIP;1nF,10%,50V,X7R,1608	1	SA		ML43	3301-001495	BEAD-SMD;120ohm,2012,2500mA,TP,115o	1	SA	
MC45	2203-000257	C-CER,CHIP;10nF,10%,50V,X7R,TP,1608	1	SA		ML44	3301-001495	BEAD-SMD;120ohm,2012,2500mA,TP,115o	1	SA	
MC46	2203-005015	C-CER,CHIP;150nF,+80-20%,16V,Y5V,16	1	SA		ML45	3301-001495	BEAD-SMD;120ohm,2012,2500mA,TP,115o	1	SA	
MC47	2203-001086	C-CER,CHIP;0.0050nF,0.25pF,50V,NP0,	1	SA		ML46	3301-001495	BEAD-SMD;120ohm,2012,2500mA,TP,115o	1	SA	
MC48	2203-005148	C-CER,CHIP;100nF,10%,16V,X7R,TP,160	1	SA		ML47	3301-001495	BEAD-SMD;120ohm,2012,2500mA,TP,115o	1	SA	
MC49	2203-005148	C-CER,CHIP;100nF,10%,16V,X7R,TP,160	1	SA		ML48	3301-001495	BEAD-SMD;120ohm,2012,2500mA,TP,115o	1	SA	
MC51	2203-005148	C-CER,CHIP;100nF,10%,16V,X7R,TP,160	1	SA		ML5	3301-001495	BEAD-SMD;120ohm,2012,2500mA,TP,115o	1	SA	
MC52	2203-005148	C-CER,CHIP;100nF,10%,16V,X7R,TP,160	1	SA		ML50	3301-001495	BEAD-SMD;120ohm,2012,2500mA,TP,115o	1	SA	
MC53	2203-000681	C-CER,CHIP;0.027nF,5%,50V,COG,1608	1	SA		ML51	3301-001495	BEAD-SMD;120ohm,2012,2500mA,TP,115o	1	SA	
MC54	2203-000646	C-CER,CHIP;0.024nF,5%,50V,COG,TP,16	1	SA		ML52	3301-001069	BEAD-SMD;120ohm,1.6x0.8x0.8mm,200mA	1	SA	
MC55	2203-005148	C-CER,CHIP;100nF,10%,16V,X7R,TP,160	1	SA		ML6	3301-001495	BEAD-SMD;120ohm,2012,2500mA,TP,115o	1	SA	
MC56	2203-005148	C-CER,CHIP;100nF,10%,16V,X7R,TP,160	1	SA		MR01	2007-000094	R-CHIP;22Kohm,5%,1/10W,TP,1608	1	SA	
MC57	2203-005148	C-CER,CHIP;100nF,10%,16V,X7R,TP,160	1	SA		MR02	2007-000087	R-CHIP;6.8Kohm,5%,1/10W,TP,1608	1	SA	
MC58	2203-005148	C-CER,CHIP;100nF,10%,16V,X7R,TP,160	1	SA		MR03	2007-000070	R-CHIP;0ohm,5%,1/10W,TP,1608	1	SA	
MC59	2203-000062	C-CER,CHIP;47nF,+80-20%,50V,Y5V,160	1	SA		MR04	2007-000070	R-CHIP;0ohm,5%,1/10W,TP,1608	1	SA	
MC60	2402-001042	C-AL,SMD;100uF,20%,16V,GP,TP,6.6x6.6	1	SA		MR06	2007-000070	R-CHIP;0ohm,5%,1/10W,TP,1608	1	SA	
MC61	2402-001042	C-AL,SMD;100uF,20%,16V,GP,TP,6.6x6.6	1	SA		MR07	2007-000070	R-CHIP;0ohm,5%,1/10W,TP,1608	1	SA	
MC62	2203-005148	C-CER,CHIP;100nF,10%,16V,X7R,TP,160	1	SA		MR08	2007-000070	R-CHIP;0ohm,5%,1/10W,TP,1608	1	SA	
MC63	2203-005148	C-CER,CHIP;100nF,10%,16V,X7R,TP,160	1	SA		MR09	2007-000070	R-CHIP;0ohm,5%,1/10W,TP,1608	1	SA	
MC64	2203-005148	C-CER,CHIP;100nF,10%,16V,X7R,TP,160	1	SA		MR10	2007-000070	R-CHIP;0ohm,5%,1/10W,TP,1608	1	SA	
MC65	2402-001042	C-AL,SMD;100uF,20%,16V,GP,TP,6.6x6.6	1	SA		MR100	2011-000816	R-NETWORK;100ohm,5%,1/16W,L,CHIP,8P	1	SA	
MC66	2203-005148	C-CER,CHIP;100nF,10%,16V,X7R,TP,160	1	SA		MR101	2007-000074	R-CHIP;100ohm,5%,1/10W,TP,1608	1	SA	
MC67	2203-005148	C-CER,CHIP;100nF,10%,16V,X7R,TP,160	1	SA		MR102	2007-000113	R-CHIP;33ohm,5%,1/10W,TP,1608	1	SA	
MC68	2203-005148	C-CER,CHIP;100nF,10%,16V,X7R,TP,160	1	SA		MR108	2007-000102	R-CHIP;100Kohm,5%,1/10W,TP,1608	1	SA	
MC69	2203-005148	C-CER,CHIP;100nF,10%,16V,X7R,TP,160	1	SA		MR109	2011-000816	R-NETWORK;100ohm,5%,1/16W,L,CHIP,8P	1	SA	
MC70	2203-005148	C-CER,CHIP;100nF,10%,16V,X7R,TP,160	1	SA		MR11	2007-000070	R-CHIP;0ohm,5%,1/10W,TP,1608	1	SA	
MC71	2203-005148	C-CER,CHIP;100nF,10%,16V,X7R,TP,160	1	SA		MR110	2011-000816	R-NETWORK;100ohm,5%,1/16W,L,CHIP,8P	1	SA	
MC72	2203-005148	C-CER,CHIP;100nF,10%,16V,X7R,TP,160	1	SA		MR111	2007-000113	R-CHIP;33ohm,5%,1/10W,TP,1608	1	SA	
MC77	2203-005148	C-CER,CHIP;100nF,10%,16V,X7R,TP,160	1	SA		MR112	2007-000113	R-CHIP;33ohm,5%,1/10W,TP,1608	1	SA	
MC78	2203-005148	C-CER,CHIP;100nF,10%,16V,X7R,TP,160	1	SA		MR113	2007-000113	R-CHIP;33ohm,5%,1/10W,TP,1608	1	SA	
MC79	2203-005148	C-CER,CHIP;100nF,10%,16V,X7R,TP,160	1	SA		MR114	2007-000084	R-CHIP;4.7Kohm,5%,1/10W,TP,1608	1	SA	
MC80	2402-001042	C-AL,SMD;100uF,20%,16V,GP,TP,6.6x6.6	1	SA		MR115	2007-000133	R-CHIP;330Kohm,5%,1/10W,TP,1608	1	SA	
MC81	2203-005148	C-CER,CHIP;100nF,10%,16V,X7R,TP,160	1	SA		MR116	2007-000552	R-CHIP;20ohm,5%,1/10W,TP,1608	1	SA	
MC82	2203-005148	C-CER,CHIP;100nF,10%,16V,X7R,TP,160	1	SA		MR117	2007-000552	R-CHIP;20ohm,5%,1/10W,TP,1608	1	SA	
MC83	2203-005148	C-CER,CHIP;100nF,10%,16V,X7R,TP,160	1	SA		MR120	2007-000113	R-CHIP;33ohm,5%,1/10W,TP,1608	1	SA	
MC84	2203-005148	C-CER,CHIP;100nF,10%,16V,X7R,TP,160	1	SA		MR121	2007-000118	R-CHIP;390ohm,5%,1/10W,TP,1608	1	SA	
MC85	2203-005148	C-CER,CHIP;100nF,10%,16V,X7R,TP,160	1	SA		MR122	2007-000070	R-CHIP;0ohm,5%,1/10W,TP,1608	1	SA	
MC87	2203-005148	C-CER,CHIP;100nF,10%,16V,X7R,TP,160	1	SA		MR124	2007-000084	R-CHIP;4.7Kohm,5%,1/10W,TP,1608	1	SA	

Loc. No.	Part No.	Description;Specification	Q'ty	SNA	Remark	Loc. No.	Part No.	Description;Specification	Q'ty	SNA	Remark
MR125	2007-000074	R-CHIP;100ohm,5%,1/10W,TP,1608	1	SA		MR28	2007-000078	R-CHIP;1Kohm,5%,1/10W,TP,1608	1	SA	
MR126	2007-000074	R-CHIP;100ohm,5%,1/10W,TP,1608	1	SA		MR29	2007-000070	R-CHIP;0ohm,5%,1/10W,TP,1608	1	SA	
MR127	2007-000074	R-CHIP;100ohm,5%,1/10W,TP,1608	1	SA		MR30	2007-000070	R-CHIP;0ohm,5%,1/10W,TP,1608	1	SA	
MR128	2007-000113	R-CHIP;33ohm,5%,1/10W,TP,1608	1	SA		MR31	2007-000070	R-CHIP;0ohm,5%,1/10W,TP,1608	1	SA	
MR129	2007-000113	R-CHIP;33ohm,5%,1/10W,TP,1608	1	SA		MR32	2007-000070	R-CHIP;0ohm,5%,1/10W,TP,1608	1	SA	
MR13	2007-000074	R-CHIP;100ohm,5%,1/10W,TP,1608	1	SA		MR41	2007-000070	R-CHIP;0ohm,5%,1/10W,TP,1608	1	SA	
MR130	2007-000113	R-CHIP;33ohm,5%,1/10W,TP,1608	1	SA		MR42	2007-000070	R-CHIP;0ohm,5%,1/10W,TP,1608	1	SA	
MR131	2007-000084	R-CHIP;4.7Kohm,5%,1/10W,TP,1608	1	SA		MR43	2007-000081	R-CHIP;2.7Kohm,5%,1/10W,TP,1608	1	SA	
MR132	2007-000090	R-CHIP;10Kohm,5%,1/10W,TP,1608	1	SA		MR44	2007-000081	R-CHIP;2.7Kohm,5%,1/10W,TP,1608	1	SA	
MR133	2007-000081	R-CHIP;2.7Kohm,5%,1/10W,TP,1608	1	SA		MR45	2007-000084	R-CHIP;4.7Kohm,5%,1/10W,TP,1608	1	SA	
MR134	2007-000078	R-CHIP;1Kohm,5%,1/10W,TP,1608	1	SA		MR46	2007-000084	R-CHIP;4.7Kohm,5%,1/10W,TP,1608	1	SA	
MR136	2007-000090	R-CHIP;10Kohm,5%,1/10W,TP,1608	1	SA		MR47	2007-000113	R-CHIP;33ohm,5%,1/10W,TP,1608	1	SA	
MR137	2007-000090	R-CHIP;10Kohm,5%,1/10W,TP,1608	1	SA		MR48	2007-000121	R-CHIP;820ohm,5%,1/10W,TP,1608	1	SA	
MR14	2007-000074	R-CHIP;100ohm,5%,1/10W,TP,1608	1	SA		MR49	2007-000070	R-CHIP;0ohm,5%,1/10W,TP,1608	1	SA	
MR140	2007-000309	R-CHIP;10ohm,5%,1/10W,TP,1608	1	SA		MR50	2007-000070	R-CHIP;0ohm,5%,1/10W,TP,1608	1	SA	
MR141	2007-000309	R-CHIP;10ohm,5%,1/10W,TP,1608	1	SA		MR51	2007-000078	R-CHIP;1Kohm,5%,1/10W,TP,1608	1	SA	
MR142	2007-000309	R-CHIP;10ohm,5%,1/10W,TP,1608	1	SA		MR52	2007-000078	R-CHIP;1Kohm,5%,1/10W,TP,1608	1	SA	
MR143	2007-000309	R-CHIP;10ohm,5%,1/10W,TP,1608	1	SA		MR53	2007-000084	R-CHIP;4.7Kohm,5%,1/10W,TP,1608	1	SA	
MR144	2007-000309	R-CHIP;10ohm,5%,1/10W,TP,1608	1	SA		MR54	2007-000070	R-CHIP;0ohm,5%,1/10W,TP,1608	1	SA	
MR149	2007-000070	R-CHIP;0ohm,5%,1/10W,TP,1608	1	SA		MR55	2007-000070	R-CHIP;0ohm,5%,1/10W,TP,1608	1	SA	
MR15	2007-000070	R-CHIP;0ohm,5%,1/10W,TP,1608	1	SA		MR56	2007-000070	R-CHIP;0ohm,5%,1/10W,TP,1608	1	SA	
MR150	2007-000070	R-CHIP;0ohm,5%,1/10W,TP,1608	1	SA		MR57	2007-000070	R-CHIP;0ohm,5%,1/10W,TP,1608	1	SA	
MR151	2007-000070	R-CHIP;0ohm,5%,1/10W,TP,1608	1	SA		MR58	2007-000070	R-CHIP;0ohm,5%,1/10W,TP,1608	1	SA	
MR152	2007-000113	R-CHIP;33ohm,5%,1/10W,TP,1608	1	SA		MR59	2007-000070	R-CHIP;0ohm,5%,1/10W,TP,1608	1	SA	
MR153	2007-000113	R-CHIP;33ohm,5%,1/10W,TP,1608	1	SA		MR60	2007-000122	R-CHIP;1.2Kohm,5%,1/10W,TP,1608	1	SA	
MR154	2007-000113	R-CHIP;33ohm,5%,1/10W,TP,1608	1	SA		MR61	2007-000078	R-CHIP;1Kohm,5%,1/10W,TP,1608	1	SA	
MR158	2007-000084	R-CHIP;4.7Kohm,5%,1/10W,TP,1608	1	SA		MR62	2007-000122	R-CHIP;1.2Kohm,5%,1/10W,TP,1608	1	SA	
MR159	2007-000077	R-CHIP;470ohm,5%,1/10W,TP,1608	1	SA		MR63	2007-000078	R-CHIP;1Kohm,5%,1/10W,TP,1608	1	SA	
MR16	2007-000090	R-CHIP;10Kohm,5%,1/10W,TP,1608	1	SA		MR64	2007-000074	R-CHIP;100ohm,5%,1/10W,TP,1608	1	SA	
MR160	2007-000074	R-CHIP;100ohm,5%,1/10W,TP,1608	1	SA		MR65	2007-000074	R-CHIP;100ohm,5%,1/10W,TP,1608	1	SA	
MR161	2007-000076	R-CHIP;330ohm,5%,1/10W,TP,1608	1	SA		MR66	2011-000816	R-NETWORK;100ohm,5%,1/16W,L,CHIP,8P	1	SA	
MR162	2007-000097	R-CHIP;47Kohm,5%,1/10W,TP,1608	1	SA		MR67	2011-000816	R-NETWORK;100ohm,5%,1/16W,L,CHIP,8P	1	SA	
MR163	2007-000097	R-CHIP;47Kohm,5%,1/10W,TP,1608	1	SA		MR68	2011-000816	R-NETWORK;100ohm,5%,1/16W,L,CHIP,8P	1	SA	
MR166	2007-000097	R-CHIP;47Kohm,5%,1/10W,TP,1608	1	SA		MR69	2007-000090	R-CHIP;10Kohm,5%,1/10W,TP,1608	1	SA	
MR167	2007-000113	R-CHIP;33ohm,5%,1/10W,TP,1608	1	SA		MR70	2007-000106	R-CHIP;220Kohm,5%,1/10W,TP,1608	1	SA	
MR168	2007-000113	R-CHIP;33ohm,5%,1/10W,TP,1608	1	SA		MR71	2007-000070	R-CHIP;0ohm,5%,1/10W,TP,1608	1	SA	
MR169	2007-000113	R-CHIP;33ohm,5%,1/10W,TP,1608	1	SA		MR72	2007-000070	R-CHIP;0ohm,5%,1/10W,TP,1608	1	SA	
MR17	2007-000092	R-CHIP;15Kohm,5%,1/10W,TP,1608	1	SA		MR76	2007-000084	R-CHIP;4.7Kohm,5%,1/10W,TP,1608	1	SA	
MR170	2007-000074	R-CHIP;100ohm,5%,1/10W,TP,1608	1	SA		MR78	2007-000084	R-CHIP;4.7Kohm,5%,1/10W,TP,1608	1	SA	
MR171	2007-000074	R-CHIP;100ohm,5%,1/10W,TP,1608	1	SA		MR80	2007-000084	R-CHIP;4.7Kohm,5%,1/10W,TP,1608	1	SA	
MR172	2007-000074	R-CHIP;100ohm,5%,1/10W,TP,1608	1	SA		MR83	2007-000084	R-CHIP;4.7Kohm,5%,1/10W,TP,1608	1	SA	
MR173	2007-000074	R-CHIP;100ohm,5%,1/10W,TP,1608	1	SA		MR87	2011-000816	R-NETWORK;100ohm,5%,1/16W,L,CHIP,8P	1	SA	
MR174	2007-000113	R-CHIP;33ohm,5%,1/10W,TP,1608	1	SA		MR88	2007-000090	R-CHIP;10Kohm,5%,1/10W,TP,1608	1	SA	
MR175	2007-000113	R-CHIP;33ohm,5%,1/10W,TP,1608	1	SA		MR89	2007-000113	R-CHIP;33ohm,5%,1/10W,TP,1608	1	SA	
MR176	2007-000113	R-CHIP;33ohm,5%,1/10W,TP,1608	1	SA		MR90	2007-000074	R-CHIP;100ohm,5%,1/10W,TP,1608	1	SA	
MR179	2007-000070	R-CHIP;0ohm,5%,1/10W,TP,1608	1	SA		MR91	2011-000816	R-NETWORK;100ohm,5%,1/16W,L,CHIP,8P	1	SA	
MR18	2007-000092	R-CHIP;15Kohm,5%,1/10W,TP,1608	1	SA		MR92	2007-000074	R-CHIP;100ohm,5%,1/10W,TP,1608	1	SA	
MR180	2007-000070	R-CHIP;0ohm,5%,1/10W,TP,1608	1	SA		MR93	2007-000074	R-CHIP;100ohm,5%,1/10W,TP,1608	1	SA	
MR181	2007-000074	R-CHIP;100ohm,5%,1/10W,TP,1608	1	SA		MR94	2007-000077	R-CHIP;470ohm,5%,1/10W,TP,1608	1	SA	
MR183	2007-000075	R-CHIP;220ohm,5%,1/10W,TP,1608	1	SA		MR95	2011-000816	R-NETWORK;100ohm,5%,1/16W,L,CHIP,8P	1	SA	
MR184	2007-000084	R-CHIP;4.7Kohm,5%,1/10W,TP,1608	1	SA		MR96	2011-000816	R-NETWORK;100ohm,5%,1/16W,L,CHIP,8P	1	SA	
MR19	2007-000552	R-CHIP;20ohm,5%,1/10W,TP,1608	1	SA		MX01	2801-004284	CRYSTAL-SMD;27MHZ,10PPM,28-AAN,20PF	1	SA	
MR20	2007-000552	R-CHIP;20ohm,5%,1/10W,TP,1608	1	SA		OPR1	3301-001069	BEAD-SMD;120ohm,1.6x0.8x0.8mm,200mA	1	SA	
MR22	2007-000078	R-CHIP;1Kohm,5%,1/10W,TP,1608	1	SA		OPR10	3301-001069	BEAD-SMD;120ohm,1.6x0.8x0.8mm,200mA	1	SA	
MR23	2007-000078	R-CHIP;1Kohm,5%,1/10W,TP,1608	1	SA		OPR11	3301-001069	BEAD-SMD;120ohm,1.6x0.8x0.8mm,200mA	1	SA	
MR24	2007-000098	R-CHIP;56Kohm,5%,1/10W,TP,1608	1	SA		OPR12	3301-001069	BEAD-SMD;120ohm,1.6x0.8x0.8mm,200mA	1	SA	
MR25	2007-000092	R-CHIP;15Kohm,5%,1/10W,TP,1608	1	SA		OPR2	3301-001069	BEAD-SMD;120ohm,1.6x0.8x0.8mm,200mA	1	SA	
MR26	2007-000130	R-CHIP;39Kohm,5%,1/10W,TP,1608	1	SA		OPR3	3301-001069	BEAD-SMD;120ohm,1.6x0.8x0.8mm,200mA	1	SA	
MR27	2007-000098	R-CHIP;56Kohm,5%,1/10W,TP,1608	1	SA							

Exploded View & Part List

Loc. No.	Part No.	Description;Specification	Q'ty	SNA	Remark	Loc. No.	Part No.	Description;Specification	Q'ty	SNA	Remark
OPR4	3301-001069	BEAD-SMD;120ohm,1.6x0.8x0.8mm,200mA	1	SA		RR02	2007-000070	R-CHIP;0ohm,5%,1/10W,TP,1608	1	SA	
OPR5	3301-001069	BEAD-SMD;120ohm,1.6x0.8x0.8mm,200mA	1	SA		RR03	2007-000071	R-CHIP;22ohm,5%,1/10W,TP,1608	1	SA	
OPR6	3301-001069	BEAD-SMD;120ohm,1.6x0.8x0.8mm,200mA	1	SA		RR04	2007-000074	R-CHIP;100ohm,5%,1/10W,TP,1608	1	SA	
						RR05	2007-000074	R-CHIP;100ohm,5%,1/10W,TP,1608	1	SA	
						RR07	2007-000309	R-CHIP;10ohm,5%,1/10W,TP,1608	1	SA	
OPR7	3301-001069	BEAD-SMD;120ohm,1.6x0.8x0.8mm,200mA	1	SA							
OPR8	3301-001069	BEAD-SMD;120ohm,1.6x0.8x0.8mm,200mA	1	SA							
OPR9	3301-001069	BEAD-SMD;120ohm,1.6x0.8x0.8mm,200mA	1	SA		RR08	2007-000097	R-CHIP;47Kohm,5%,1/10W,TP,1608	1	SA	
PC01	2402-001042	C-AL,SMD;100uF,20%,16V,GP,TP,6.6x6.6	1	SA		RR09	2007-000078	R-CHIP;1Kohm,5%,1/10W,TP,1608	1	SA	
PC02	2203-005148	C-CER,CHIP;100nF,10%,16V,X7R,TP,160	1	SA		RR10	2007-000090	R-CHIP;10Kohm,5%,1/10W,TP,1608	1	SA	
						RR29	2007-000078	R-CHIP;1Kohm,5%,1/10W,TP,1608	1	SA	
						RR30	2007-000090	R-CHIP;10Kohm,5%,1/10W,TP,1608	1	SA	
PC03	2402-001049	C-AL,SMD;10uF,20%,16V,GP,TP,3.3x3.3	1	SA							
PC04	2203-005148	C-CER,CHIP;100nF,10%,16V,X7R,TP,160	1	SA		RR32	2007-000309	R-CHIP;10ohm,5%,1/10W,TP,1608	1	SA	
PC05	2402-001198	C-AL,SMD;330UF,20%,6.3V,GP,TP,6.6X6.6	1	SA		RR33	2007-000071	R-CHIP;22ohm,5%,1/10W,TP,1608	1	SA	
PC06	2203-005148	C-CER,CHIP;100nF,10%,16V,X7R,TP,160	1	SA		RR34	2007-000090	R-CHIP;10Kohm,5%,1/10W,TP,1608	1	SA	
PC07	2402-001042	C-AL,SMD;100uF,20%,16V,GP,TP,6.6x6.6	1	SA		RR35	2007-000097	R-CHIP;47Kohm,5%,1/10W,TP,1608	1	SA	
						RR36	2007-000078	R-CHIP;1Kohm,5%,1/10W,TP,1608	1	SA	
PC08	2203-005148	C-CER,CHIP;100nF,10%,16V,X7R,TP,160	1	SA							
PC11	2402-001042	C-AL,SMD;100uF,20%,16V,GP,TP,6.6x6.6	1	SA		RR37	2007-000078	R-CHIP;1Kohm,5%,1/10W,TP,1608	1	SA	
PC12	2203-005148	C-CER,CHIP;100nF,10%,16V,X7R,TP,160	1	SA		RR38	2007-000078	R-CHIP;1Kohm,5%,1/10W,TP,1608	1	SA	
PC13	2402-001059	C-AL,SMD;220##F,20%,6.3V,-,TP,6x6.6	1	SA		RR39	2007-000090	R-CHIP;10Kohm,5%,1/10W,TP,1608	1	SA	
PC14	2203-005148	C-CER,CHIP;100nF,10%,16V,X7R,TP,160	1	SA		RR41	2007-000070	R-CHIP;0ohm,5%,1/10W,TP,1608	1	SA	
						RR42	2007-000098	R-CHIP;56Kohm,5%,1/10W,TP,1608	1	SA	
PIC1	1203-002935	IC-POS,ADJUST REG,;AIC1117ACE,TO-2	1	SA							
PR01	2007-000119	R-CHIP;560ohm,5%,1/10W,TP,1608	1	SA		RR43	2007-000098	R-CHIP;56Kohm,5%,1/10W,TP,1608	1	SA	
PR02	2007-000074	R-CHIP;100ohm,5%,1/10W,TP,1608	1	SA		RR44	2007-000102	R-CHIP;100Kohm,5%,1/10W,TP,1608	1	SA	
PSC1	2402-001049	C-AL,SMD;10uF,20%,16V,GP,TP,3.3x3.3	1	SA		RR48	2007-000102	R-CHIP;100Kohm,5%,1/10W,TP,1608	1	SA	
PSC2	2203-005249	C-CER,CHIP;100nF,10%,50V,X7R,1608	1	SA		RR52	2007-000124	R-CHIP;2.2Kohm,5%,1/10W,TP,1608	1	SA	
						RR53	2007-000084	R-CHIP;4.7Kohm,5%,1/10W,TP,1608	1	SA	
RB07	3301-001495	BEAD-SMD;120ohm,2012,2500mA,TP,115o	1	SA							
RB08	3301-001495	BEAD-SMD;120ohm,2012,2500mA,TP,115o	1	SA		RR54	2007-000109	R-CHIP;1Mohm,5%,1/10W,TP,1608	1	SA	
RB09	3301-001495	BEAD-SMD;120ohm,2012,2500mA,TP,115o	1	SA		RR55	2007-000070	R-CHIP;0ohm,5%,1/10W,TP,1608	1	SA	
RB1A	3301-001495	BEAD-SMD;120ohm,2012,2500mA,TP,115o	1	SA		RR56	2007-000458	R-CHIP;18Kohm,5%,1/10W,TP,1608	1	SA	
RC01	2203-000189	C-CER,CHIP;100nF,+80-20%,25V,Y5V,16	1	SA		RR57	2007-000094	R-CHIP;22Kohm,5%,1/10W,TP,1608	1	SA	
						RR58	2007-000070	R-CHIP;0ohm,5%,1/10W,TP,1608	1	SA	
RC02	2203-005148	C-CER,CHIP;100nF,10%,16V,X7R,TP,160	1	SA							
RC03	2402-000175	C-AL,SMD;470uF,20%,6.3V,-,8.3x8.3	1	SA		RR59	2203-000189	C-CER,CHIP;100nF,+80-20%,25V,Y5V,16	1	SA	
RC11	2203-000189	C-CER,CHIP;100nF,+80-20%,25V,Y5V,16	1	SA		RR60	2007-000120	R-CHIP;680ohm,5%,1/10W,TP,1608	1	SA	
RC12	2203-000189	C-CER,CHIP;100nF,+80-20%,25V,Y5V,16	1	SA		RR61	2007-000078	R-CHIP;1Kohm,5%,1/10W,TP,1608	1	SA	
RC13	2203-000189	C-CER,CHIP;100nF,+80-20%,25V,Y5V,16	1	SA		RR62	2007-000090	R-CHIP;10Kohm,5%,1/10W,TP,1608	1	SA	
						RR63	2007-000082	R-CHIP;3.3Kohm,5%,1/10W,TP,1608	1	SA	
RC14	2203-000189	C-CER,CHIP;100nF,+80-20%,25V,Y5V,16	1	SA							
RC15	2402-001042	C-AL,SMD;100uF,20%,16V,GP,TP,6.6x6.6	1	SA		RR64	2007-000090	R-CHIP;10Kohm,5%,1/10W,TP,1608	1	SA	
RC19	2203-000440	C-CER,CHIP;1nF,10%,50V,X7R,1608	1	SA		RR65	2007-000097	R-CHIP;47Kohm,5%,1/10W,TP,1608	1	SA	
RC20	2203-000189	C-CER,CHIP;100nF,+80-20%,25V,Y5V,16	1	SA		RR66	2007-000097	R-CHIP;47Kohm,5%,1/10W,TP,1608	1	SA	
RC21	2402-001042	C-AL,SMD;100uF,20%,16V,GP,TP,6.6x6.6	1	SA		RR67	2007-002899	R-CHIP;10ohm,1%,1/10W,TP,1608	1	SA	
						RR68	2007-002899	R-CHIP;10ohm,1%,1/10W,TP,1608	1	SA	
RC22	2203-000440	C-CER,CHIP;1nF,10%,50V,X7R,1608	1	SA							
RC26	2402-000008	C-AL,SMD;47uF,20%,16V,GP,TP,6.6x6.6	1	SA		U1	1204-002627	IC-MODULATOR;PS9829B,LQFP,100P,14x1	1	SA	
RC28	2402-000175	C-AL,SMD;470uF,20%,6.3V,-,8.3x8.3	1	SA		UC1	2203-005148	C-CER,CHIP;100nF,10%,16V,X7R,TP,160	1	SA	
RCN1	3708-001765	CONNECTOR-FPC/FFC/PIC;24P,0.5mm,SMD	1	SA		UC10	2402-001042	C-AL,SMD;100uF,20%,16V,GP,TP,6.6x6.6	1	SA	
RCN2	3708-002023	CONNECTOR-FPC/FFC/PIC;6P,1MM,SMD-S,	1	SA		UC11	2409-000123	C-EDL;4700uF,4uA,5.5V,-,BK,-,5mm	1	SA	
						UC12	2402-001042	C-AL,SMD;100uF,20%,16V,GP,TP,6.6x6.6	1	SA	
RCN3	3708-001618	CONNECTOR-FPC/FFC/PIC;5P,1mm,SMD-A,	1	SA							
RD1	0407-000116	DIODE-ARRAY;KDS181,DAP202K,80V,100	1	SA		UC13	2203-005148	C-CER,CHIP;100nF,10%,16V,X7R,TP,160	1	SA	
RIC1	1201-001842	IC-OP AMP;TL3472CD,SO,TP,8P,-,DUAL,	1	SA		UC14	2203-005148	C-CER,CHIP;100nF,10%,16V,X7R,TP,160	1	SA	
RIC4	1003-001978	IC-MOTOR DRIVER;AMS766,HSOP28H,28P,	1	SA		UC15	2203-005148	C-CER,CHIP;100nF,10%,16V,X7R,TP,160	1	SA	
RL1	3301-001069	BEAD-SMD;120ohm,1.6x0.8x0.8mm,200mA	1	SA		UC16	2203-000972	C-CER,CHIP;47nF,10%,16V,X7R,1608	1	SA	
						UC17	2402-001042	C-AL,SMD;100uF,20%,16V,GP,TP,6.6x6.6	1	SA	
RL2	3301-001069	BEAD-SMD;120ohm,1.6x0.8x0.8mm,200mA	1	SA							
RL3	3301-001495	BEAD-SMD;120ohm,2012,2500mA,TP,115o	1	SA		UC18	2402-001042	C-AL,SMD;100uF,20%,16V,GP,TP,6.6x6.6	1	SA	
RL4	3301-001495	BEAD-SMD;120ohm,2012,2500mA,TP,115o	1	SA		UC19	2203-005148	C-CER,CHIP;100nF,10%,16V,X7R,TP,160	1	SA	
RL7	2703-000185	INDUCTOR-SMD;3.3uH,10%,2012	1	SA		UC2	2203-001607	C-CER,CHIP;0.22nF,5%,50V,NPO,1608	1	SA	
RQ1	0501-000632	TR-SMALL SIGNAL;2SB1197K,PNP,200mW,	1	SA		UC20	2402-001042	C-AL,SMD;100uF,20%,16V,GP,TP,6.6x6.6	1	SA	
						UC21	2203-000236	C-CER,CHIP;0.1nF,5%,50V,COG,1608	1	SA	
RQ2	0501-000632	TR-SMALL SIGNAL;2SB1197K,PNP,200mW,	1	SA							
RQ3	0504-000128	TR-DIGITAL;-NPN,200MW,22K/22K,SOT-	1	SA		UC22	2203-000236	C-CER,CHIP;0.1nF,5%,50V,COG,1608	1	SA	
RQ4	0504-000128	TR-DIGITAL;-NPN,200MW,22K/22K,SOT-	1	SA		UC23	2203-005249	C-CER,CHIP;100nF,10%,50V,X7R,1608	1	SA	
RQ5	0504-000128	TR-DIGITAL;-NPN,200MW,22K/22K,SOT-	1	SA		UC24	2402-000008	C-AL,SMD;47uF,20%,16V,GP,TP,6.6x6.6	1	SA	
RR01	2007-000070	R-CHIP;0ohm,5%,1/10W,TP,1608	1	SA		UC27	2203-005249	C-CER,CHIP;100nF,10%,50V,X7R,1608	1	SA	

Loc. No.	Part No.	Description;Specification	Q'ty	SNA	Remark	Loc. No.	Part No.	Description;Specification	Q'ty	SNA	Remark
UC28	2203-005249	C-CER,CHIP;100nF,10%,50V,X7R,1608	1	SA		UR101	2007-000074	R-CHIP;100ohm,5%,1/10W,TP,1608	1	SA	
UC29	2203-005249	C-CER,CHIP;100nF,10%,50V,X7R,1608	1	SA		UR102	2007-000074	R-CHIP;100ohm,5%,1/10W,TP,1608	1	SA	
UC3	2203-001607	C-CER,CHIP;0.22nF,5%,50V,NP0,1608	1	SA		UR103	2007-000074	R-CHIP;100ohm,5%,1/10W,TP,1608	1	SA	
UC30	2203-000236	C-CER,CHIP;0.1nF,5%,50V,C0G,1608	1	SA		UR104	2007-000074	R-CHIP;100ohm,5%,1/10W,TP,1608	1	SA	
UC31	2203-000236	C-CER,CHIP;0.1nF,5%,50V,C0G,1608	1	SA		UR105	2007-000074	R-CHIP;100ohm,5%,1/10W,TP,1608	1	SA	
UC32	2203-005249	C-CER,CHIP;100nF,10%,50V,X7R,1608	1	SA		UR108	2007-000074	R-CHIP;100ohm,5%,1/10W,TP,1608	1	SA	
UC33	2203-005249	C-CER,CHIP;100nF,10%,50V,X7R,1608	1	SA		UR109	2007-000074	R-CHIP;100ohm,5%,1/10W,TP,1608	1	SA	
UC34	2402-001096	C-AL,SMD;220UF,20%,16V,GP,TP,6.6x6.6	1	SA		UR11	2007-000102	R-CHIP;100Kohm,5%,1/10W,TP,1608	1	SA	
UC35	2402-001096	C-AL,SMD;220UF,20%,16V,GP,TP,6.6x6.6	1	SA		UR111	2007-000074	R-CHIP;100ohm,5%,1/10W,TP,1608	1	SA	
UC36	2203-005249	C-CER,CHIP;100nF,10%,50V,X7R,1608	1	SA		UR112	2007-000074	R-CHIP;100ohm,5%,1/10W,TP,1608	1	SA	
UC37	2402-001096	C-AL,SMD;220UF,20%,16V,GP,TP,6.6x6.6	1	SA		UR117	2203-005148	C-CER,CHIP;100nF,10%,16V,X7R,TP,160	1	SA	
UC38	2203-005249	C-CER,CHIP;100nF,10%,50V,X7R,1608	1	SA		UR119	2007-000074	R-CHIP;100ohm,5%,1/10W,TP,1608	1	SA	
UC39	2402-001042	C-AL,SMD;100uF,20%,16V,GP,TP,6.6x6.6	1	SA		UR12	2007-000097	R-CHIP;47Kohm,5%,1/10W,TP,1608	1	SA	
UC4	2402-000130	C-AL,SMD;2.2uF,20%,50V,GP,TP,4.3x4.3	1	SA		UR120	2007-000074	R-CHIP;100ohm,5%,1/10W,TP,1608	1	SA	
UC40	2203-005249	C-CER,CHIP;100nF,10%,50V,X7R,1608	1	SA		UR121	2007-000074	R-CHIP;100ohm,5%,1/10W,TP,1608	1	SA	
UC41	2402-001042	C-AL,SMD;100uF,20%,16V,GP,TP,6.6x6.6	1	SA		UR122	2007-000090	R-CHIP;10Kohm,5%,1/10W,TP,1608	1	SA	
UC42	2203-005249	C-CER,CHIP;100nF,10%,50V,X7R,1608	1	SA		UR124	2007-000074	R-CHIP;100ohm,5%,1/10W,TP,1608	1	SA	
UC43	2402-000175	C-AL,SMD;470uF,20%,6.3V,-,8.3x8.3	1	SA		UR125	2007-000090	R-CHIP;10Kohm,5%,1/10W,TP,1608	1	SA	
UC5	2402-000173	C-AL,SMD;4.7uF,20%,35V,GP,TP,4.3x4.3	1	SA		UR126	2007-000107	R-CHIP;470Kohm,5%,1/10W,TP,1608	1	SA	
UC50	2203-005249	C-CER,CHIP;100nF,10%,50V,X7R,1608	1	SA		UR129	2007-000090	R-CHIP;10Kohm,5%,1/10W,TP,1608	1	SA	
UC51	2203-005148	C-CER,CHIP;100nF,10%,16V,X7R,TP,160	1	SA		UR13	2007-000078	R-CHIP;1Kohm,5%,1/10W,TP,1608	1	SA	
UC53	2402-000167	C-AL,SMD;100uF,20%,10V,-,6.6x6.6x	1	SA		UR130	2007-000074	R-CHIP;100ohm,5%,1/10W,TP,1608	1	SA	
UC54	2402-001042	C-AL,SMD;100uF,20%,16V,GP,TP,6.6x6.6	1	SA		UR132	2007-000074	R-CHIP;100ohm,5%,1/10W,TP,1608	1	SA	
UC55	2203-005148	C-CER,CHIP;100nF,10%,16V,X7R,TP,160	1	SA		UR136	2007-000070	R-CHIP;0ohm,5%,1/10W,TP,1608	1	SA	
UC56	2402-000167	C-AL,SMD;100uF,20%,10V,-,6.6x6.6x	1	SA		UR137	2007-000070	R-CHIP;0ohm,5%,1/10W,TP,1608	1	SA	
UC6	2203-001607	C-CER,CHIP;0.22nF,5%,50V,NP0,1608	1	SA		UR138	2007-000090	R-CHIP;10Kohm,5%,1/10W,TP,1608	1	SA	
UC7	2203-000257	C-CER,CHIP;10nF,10%,50V,X7R,TP,1608	1	SA		UR139	2007-000090	R-CHIP;10Kohm,5%,1/10W,TP,1608	1	SA	
UC8	2402-000187	C-AL,SMD;0.22UF,20%,50V,-,TP,4X5.5M	1	SA		UR14	2007-000078	R-CHIP;1Kohm,5%,1/10W,TP,1608	1	SA	
UC9	2203-005148	C-CER,CHIP;100nF,10%,16V,X7R,TP,160	1	SA		UR141	2007-000070	R-CHIP;0ohm,5%,1/10W,TP,1608	1	SA	
UD10	0401-001090	DIODE-SWITCHING;1SS355,80V,100MA,SO	1	SA		UR143	2007-000033	R-CHIP;0ohm,5%,1/4W,TP,3216	1	SA	
UD11	0401-001090	DIODE-SWITCHING;1SS355,80V,100MA,SO	1	SA		UR145	2007-000074	R-CHIP;100ohm,5%,1/10W,TP,1608	1	SA	
UD12	0401-001090	DIODE-SWITCHING;1SS355,80V,100MA,SO	1	SA		UR146	2007-000074	R-CHIP;100ohm,5%,1/10W,TP,1608	1	SA	
UD13	0401-001090	DIODE-SWITCHING;1SS355,80V,100MA,SO	1	SA		UR147	2007-000090	R-CHIP;10Kohm,5%,1/10W,TP,1608	1	SA	
UD14	0401-001090	DIODE-SWITCHING;1SS355,80V,100MA,SO	1	SA		UR148	2007-000121	R-CHIP;820ohm,5%,1/10W,TP,1608	1	SA	
UD16	0401-001090	DIODE-SWITCHING;1SS355,80V,100MA,SO	1	SA		UR149	2007-000090	R-CHIP;10Kohm,5%,1/10W,TP,1608	1	SA	
UD17	0401-001090	DIODE-SWITCHING;1SS355,80V,100MA,SO	1	SA		UR15	2007-000081	R-CHIP;2.7Kohm,5%,1/10W,TP,1608	1	SA	
UD18	0401-001090	DIODE-SWITCHING;1SS355,80V,100MA,SO	1	SA		UR150	2007-000074	R-CHIP;100ohm,5%,1/10W,TP,1608	1	SA	
UD19	0401-001090	DIODE-SWITCHING;1SS355,80V,100MA,SO	1	SA		UR16	2007-000074	R-CHIP;100ohm,5%,1/10W,TP,1608	1	SA	
UDZ01	0406-001128	DIODE-TVS;MLVS-0603-E08,50V,-,-	1	SA		UR17	2007-000074	R-CHIP;100ohm,5%,1/10W,TP,1608	1	SA	
UDZ02	0406-001128	DIODE-TVS;MLVS-0603-E08,50V,-,-	1	SA		UR18	2007-000074	R-CHIP;100ohm,5%,1/10W,TP,1608	1	SA	
UIC1	0903-001405	IC-MICROCONTROLLER;LC87F5CC8A,8Bit	1	SA		UR19	2007-000074	R-CHIP;100ohm,5%,1/10W,TP,1608	1	SA	
UL10	3301-001069	BEAD-SMD;120ohm,1.6x0.8x0.8mm,200mA	1	SA		UR20	2007-000074	R-CHIP;100ohm,5%,1/10W,TP,1608	1	SA	
UL11	3301-001069	BEAD-SMD;120ohm,1.6x0.8x0.8mm,200mA	1	SA		UR21	2007-000078	R-CHIP;1Kohm,5%,1/10W,TP,1608	1	SA	
UL12	3301-001069	BEAD-SMD;120ohm,1.6x0.8x0.8mm,200mA	1	SA		UR22	2007-000078	R-CHIP;1Kohm,5%,1/10W,TP,1608	1	SA	
UL15	3301-001495	BEAD-SMD;120ohm,2012,2500mA,TP,115o	1	SA		UR24	2007-000074	R-CHIP;100ohm,5%,1/10W,TP,1608	1	SA	
UL16	3301-001495	BEAD-SMD;120ohm,2012,2500mA,TP,115o	1	SA		UR25	2007-000097	R-CHIP;47Kohm,5%,1/10W,TP,1608	1	SA	
UL17	3301-001495	BEAD-SMD;120ohm,2012,2500mA,TP,115o	1	SA		UR26	2007-000078	R-CHIP;1Kohm,5%,1/10W,TP,1608	1	SA	
UL3	3301-001495	BEAD-SMD;120ohm,2012,2500mA,TP,115o	1	SA		UR27	2007-000074	R-CHIP;100ohm,5%,1/10W,TP,1608	1	SA	
UL4	3301-001495	BEAD-SMD;120ohm,2012,2500mA,TP,115o	1	SA		UR28	2007-000109	R-CHIP;1Mohm,5%,1/10W,TP,1608	1	SA	
UL5	3301-001069	BEAD-SMD;120ohm,1.6x0.8x0.8mm,200mA	1	SA		UR29	2007-000078	R-CHIP;1Kohm,5%,1/10W,TP,1608	1	SA	
UL6	3301-001069	BEAD-SMD;120ohm,1.6x0.8x0.8mm,200mA	1	SA		UR30	2007-000124	R-CHIP;2.2Kohm,5%,1/10W,TP,1608	1	SA	
UL7	3301-001069	BEAD-SMD;120ohm,1.6x0.8x0.8mm,200mA	1	SA		UR31	2007-000084	R-CHIP;4.7Kohm,5%,1/10W,TP,1608	1	SA	
UL8	3301-001069	BEAD-SMD;120ohm,1.6x0.8x0.8mm,200mA	1	SA		UR32	2007-000106	R-CHIP;220Kohm,5%,1/10W,TP,1608	1	SA	
UL9	3301-001069	BEAD-SMD;120ohm,1.6x0.8x0.8mm,200mA	1	SA		UR33	2007-000090	R-CHIP;10Kohm,5%,1/10W,TP,1608	1	SA	
UQ1	0501-000341	TR-SMALL SIGNAL;KSC1623-L,NPN,200mW	1	SA		UR34	2007-000074	R-CHIP;100ohm,5%,1/10W,TP,1608	1	SA	
UQ2	0504-000156	TR-DIGITAL;KSR2103,PNP,200MW,22K/22	1	SA		UR35	2007-000074	R-CHIP;100ohm,5%,1/10W,TP,1608	1	SA	
UR1	2007-000074	R-CHIP;100ohm,5%,1/10W,TP,1608	1	SA		UR36	2007-000074	R-CHIP;100ohm,5%,1/10W,TP,1608	1	SA	
UR10	2007-000102	R-CHIP;100Kohm,5%,1/10W,TP,1608	1	SA		UR37	2007-000074	R-CHIP;100ohm,5%,1/10W,TP,1608	1	SA	

Exploded View & Part List

Loc. No.	Part No.	Description;Specification	Q'ty	SNA	Remark	Loc. No.	Part No.	Description;Specification	Q'ty	SNA	Remark
UR38	2007-000074	R-CHIP;100ohm,5%,1/10W,TP,1608	1	SA		XIC2	1203-001212	IC-VOL. DETECTOR;7029,SOT-89,3P,-,P	1	SA	
UR39	2007-000074	R-CHIP;100ohm,5%,1/10W,TP,1608	1	SA			AH97-02706J	ASSY-KITTING KEY REAR;HT-XA100/XEF,	1	SNA	
UR4	2007-000074	R-CHIP;100ohm,5%,1/10W,TP,1608	1	SA			3809-002095	CABLE-FLAT;30V,80,70mm,15P,1mm,UL20	1	SNA	
UR40	2007-000074	R-CHIP;100ohm,5%,1/10W,TP,1608	1	SA			3809-002096	CABLE-FLAT;30V,80,60mm,23P,1mm,UL20	1	SNA	
UR41	2007-000402	R-CHIP;150ohm,5%,1/10W,TP,1608	1	SA			3809-002097	CABLE-FLAT;30V,80,80,23P,1mm,UL2069	1	SNA	
UR44	2007-000074	R-CHIP;100ohm,5%,1/10W,TP,1608	1	SA			3809-002098	CABLE-FLAT;30V,80,140mm,13P,1.25mm,	1	SA	
UR45	2007-000074	R-CHIP;100ohm,5%,1/10W,TP,1608	1	SA			3809-002099	CABLE-FLAT;30V,80,175mm,20P,1mm,UL2	1	SNA	
UR46	2007-000072	R-CHIP;47ohm,5%,1/10W,TP,1608	1	SA			AH39-00257A	CBF-POWER CORD;Z-88,-,CP2,250V,2.5A	1	SA	
UR47	2007-000074	R-CHIP;100ohm,5%,1/10W,TP,1608	1	SA			AH40-00108A	TUNER-PACK;KST-ML004FA0-H53,HT-P120	1	SA	
UR48	2007-000074	R-CHIP;100ohm,5%,1/10W,TP,1608	1	SA			AH44-00174A	SMPS;HT-A100,ORTP-688,QRC,-,110V-22	1	SA	
UR49	2007-000074	R-CHIP;100ohm,5%,1/10W,TP,1608	1	SA			AH59-01773A	DECK-MECHA DVD;VSH-L33D-0826,-,MAGN	1	SA	
UR5	2007-000074	R-CHIP;100ohm,5%,1/10W,TP,1608	1	SA			AH81-04174A	A/S PART-USB;HT-A100,-,-,-,-,-,-,-,-,-	1	SA	
UR50	2007-000074	R-CHIP;100ohm,5%,1/10W,TP,1608	1	SA			AH99-10012H	ASSY PCB-MAIN-EURPOE,m;HT-XA100 MAI	1	SNA	
UR51	2007-000074	R-CHIP;100ohm,5%,1/10W,TP,1608	1	SA							
UR52	2007-000074	R-CHIP;100ohm,5%,1/10W,TP,1608	1	SA							
UR53	2007-000074	R-CHIP;100ohm,5%,1/10W,TP,1608	1	SA							
UR54	2007-000074	R-CHIP;100ohm,5%,1/10W,TP,1608	1	SA							
UR55	2007-000090	R-CHIP;10Kohm,5%,1/10W,TP,1608	1	SA							
UR56	2007-000074	R-CHIP;100ohm,5%,1/10W,TP,1608	1	SA							
UR58	2007-000074	R-CHIP;100ohm,5%,1/10W,TP,1608	1	SA							
UR6	2007-000074	R-CHIP;100ohm,5%,1/10W,TP,1608	1	SA							
UR60	2007-000090	R-CHIP;10Kohm,5%,1/10W,TP,1608	1	SA							
UR61	2007-000097	R-CHIP;47Kohm,5%,1/10W,TP,1608	1	SA							
UR62	2007-000074	R-CHIP;100ohm,5%,1/10W,TP,1608	1	SA							
UR63	2007-000074	R-CHIP;100ohm,5%,1/10W,TP,1608	1	SA							
UR64	2007-000074	R-CHIP;100ohm,5%,1/10W,TP,1608	1	SA							
UR65	2007-000090	R-CHIP;10Kohm,5%,1/10W,TP,1608	1	SA							
UR66	2007-000090	R-CHIP;10Kohm,5%,1/10W,TP,1608	1	SA							
UR68	2007-000070	R-CHIP;0ohm,5%,1/10W,TP,1608	1	SA							
UR69	2007-000070	R-CHIP;0ohm,5%,1/10W,TP,1608	1	SA							
UR7	2007-000074	R-CHIP;100ohm,5%,1/10W,TP,1608	1	SA							
UR71	2007-000074	R-CHIP;100ohm,5%,1/10W,TP,1608	1	SA							
UR72	2007-000074	R-CHIP;100ohm,5%,1/10W,TP,1608	1	SA							
UR73	2007-000074	R-CHIP;100ohm,5%,1/10W,TP,1608	1	SA							
UR74	2007-000078	R-CHIP;1Kohm,5%,1/10W,TP,1608	1	SA							
UR75	2007-000074	R-CHIP;100ohm,5%,1/10W,TP,1608	1	SA							
UR76	2007-000070	R-CHIP;0ohm,5%,1/10W,TP,1608	1	SA							
UR77	2007-000074	R-CHIP;100ohm,5%,1/10W,TP,1608	1	SA							
UR78	2007-000074	R-CHIP;100ohm,5%,1/10W,TP,1608	1	SA							
UR79	2007-000090	R-CHIP;10Kohm,5%,1/10W,TP,1608	1	SA							
UR8	2007-000102	R-CHIP;100Kohm,5%,1/10W,TP,1608	1	SA							
UR9	2007-000102	R-CHIP;100Kohm,5%,1/10W,TP,1608	1	SA							
UR91	2007-000090	R-CHIP;10Kohm,5%,1/10W,TP,1608	1	SA							
UR92	2007-000090	R-CHIP;10Kohm,5%,1/10W,TP,1608	1	SA							
UR94	2007-000293	R-CHIP;100ohm,5%,1/4W,TP,3216	1	SA							
UX1	2802-001196	RESONATOR-CERAMIC;10MHZ,0.5%,TP,3.2	1	SA							
X1	2801-004371	CRYSTAL-SMD;12.288MHz,50ppm,SX-1,18	1	SA							
XA100_MAIN_PCB	AH41-01121A	PCB-MAIN;HT-XA100 MAIN PCB,EPOXY,4,	1	SNA							
XC1	2203-000626	C-CER,CHIP;0.022nF,5%,50V,COG,1608	1	SA							
XC2	2203-000626	C-CER,CHIP;0.022nF,5%,50V,COG,1608	1	SA							
XD1	0401-001110	DIODE-SWITCHING;- ,80V,100MA,SOD-523	1	SA							
XD11	0401-001110	DIODE-SWITCHING;- ,80V,100MA,SOD-523	1	SA							
XD16	0401-001110	DIODE-SWITCHING;- ,80V,100MA,SOD-523	1	SA							
XD17	0401-001110	DIODE-SWITCHING;- ,80V,100MA,SOD-523	1	SA							
XD18	0401-001110	DIODE-SWITCHING;- ,80V,100MA,SOD-523	1	SA							
XD19	0401-001110	DIODE-SWITCHING;- ,80V,100MA,SOD-523	1	SA							
XD6	0401-001110	DIODE-SWITCHING;- ,80V,100MA,SOD-523	1	SA							
XD8	0401-001110	DIODE-SWITCHING;- ,80V,100MA,SOD-523	1	SA							
XIC1	AH14-10004R	IC-CMOS LOGIC;74HCU04,-,SOP,14P,-,-	1	SA							
								AH92-02831A	ASSY PCB-KEY;HT-XA100 KEY PCB,EXPOX	1	SA
						FC1	2203-000189	C-CER,CHIP;100nF,+80-20%,25V,Y5V,16	1	SA	
						FC10	2203-000189	C-CER,CHIP;100nF,+80-20%,25V,Y5V,16	1	SA	
						FC3	2203-005148	C-CER,CHIP;100nF,10%,16V,X7R,TP,160	1	SA	
						FC4	2203-000189	C-CER,CHIP;100nF,+80-20%,25V,Y5V,16	1	SA	
						FC5	2203-000189	C-CER,CHIP;100nF,+80-20%,25V,Y5V,16	1	SA	
						FC6	2203-000189	C-CER,CHIP;100nF,+80-20%,25V,Y5V,16	1	SA	
						FC7	2203-000189	C-CER,CHIP;100nF,+80-20%,25V,Y5V,16	1	SA	
						FC8	2203-000189	C-CER,CHIP;100nF,+80-20%,25V,Y5V,16	1	SA	
						FC9	2203-000189	C-CER,CHIP;100nF,+80-20%,25V,Y5V,16	1	SA	
						FCN1	AH39-00983A	WIRE HARNESS-MAIN-FUNC.KEY;HT-XA100	1	SA	
						FR1	2007-000081	R-CHIP;2.7Kohm,5%,1/10W,TP,1608	1	SA	
						FR10	2007-000124	R-CHIP;2.2Kohm,5%,1/10W,TP,1608	1	SA	
						FR11	2007-000079	R-CHIP;1.8Kohm,5%,1/10W,TP,1608	1	SA	
						FR12	2007-000123	R-CHIP;1.5Kohm,5%,1/10W,TP,1608	1	SA	
						FR13	2007-000081	R-CHIP;2.7Kohm,5%,1/10W,TP,1608	1	SA	
						FR14	2007-000081	R-CHIP;2.7Kohm,5%,1/10W,TP,1608	1	SA	
						FR15	2007-000081	R-CHIP;2.7Kohm,5%,1/10W,TP,1608	1	SA	
						FR16	2007-000078	R-CHIP;1Kohm,5%,1/10W,TP,1608	1	SA	
						FR17	2007-000122	R-CHIP;1.2Kohm,5%,1/10W,TP,1608	1	SA	
						FR18	2007-000107	R-CHIP;470Kohm,5%,1/10W,TP,1608	1	SA	
						FR19	2007-000107	R-CHIP;470Kohm,5%,1/10W,TP,1608	1	SA	
						FR2	2007-000107	R-CHIP;470Kohm,5%,1/10W,TP,1608	1	SA	
						FR20	2007-000081	R-CHIP;2.7Kohm,5%,1/10W,TP,1608	1	SA	
						FR21	2007-000081	R-CHIP;2.7Kohm,5%,1/10W,TP,1608	1	SA	
						FR22	2007-000081	R-CHIP;2.7Kohm,5%,1/10W,TP,1608	1	SA	
						FR23	2007-000081	R-CHIP;2.7Kohm,5%,1/10W,TP,1608	1	SA	
						FR3	2007-000084	R-CHIP;4.7Kohm,5%,1/10W,TP,1608	1	SA	
						FR4	2007-000107	R-CHIP;470Kohm,5%,1/10W,TP,1608	1	SA	
						FR5	2007-000081	R-CHIP;2.7Kohm,5%,1/10W,TP,1608	1	SA	
						FR6	2007-000107	R-CHIP;470Kohm,5%,1/10W,TP,1608	1	SA	
						FR7	2007-000107	R-CHIP;470Kohm,5%,1/10W,TP,1608	1	SA	
						FR8	2007-000107	R-CHIP;470Kohm,5%,1/10W,TP,1608	1	SA	
						FR9	2007-000107	R-CHIP;470Kohm,5%,1/10W,TP,1608	1	SA	
						FWN1	AH39-00985A	WIRE HARNESS-OPEN KEY-MAIN;HT-XA100	1	SA	
						FZD1	0403-001064	DIODE-ZENER;RLZ5.1B,4.94-5.2V,500mW	1	SA	
						FZD2	0403-001064	DIODE-ZENER;RLZ5.1B,4.94-5.2V,500mW	1	SA	
						FZD3	0403-001064	DIODE-ZENER;RLZ5.1B,4.94-5.2V,500mW	1	SA	
						FZD4	0403-001064	DIODE-ZENER;RLZ5.1B,4.94-5.2V,500mW	1	SA	
						FZD5	0403-001064	DIODE-ZENER;RLZ5.1B,4.94-5.2V,500mW	1	SA	
						FZD6	0403-001064	DIODE-ZENER;RLZ5.1B,4.94-5.2V,500mW	1	SA	
						FZD7	0403-001064	DIODE-ZENER;RLZ5.1B,4.94-5.2V,500mW	1	SA	
						FZD8	0403-001064	DIODE-ZENER;RLZ5.1B,4.94-5.2V,500mW	1	SA	
						TP10	1209-001742	IC-SENSOR;SS02,SOT26,6P,2.9x1.6mm,P	1	SA	

Loc. No.	Part No.	Description;Specification	Q'ty	SNA	Remark	Loc. No.	Part No.	Description;Specification	Q'ty	SNA	Remark
TP11	1209-001742	IC-SENSOR;SS02,SOT26,6P,2.9x1.6mm,P	1	SA		AC146	2203-000257	C-CER,CHIP;10nF,10%,50V,X7R,TP,1608	1	SA	
TP12	1209-001742	IC-SENSOR;SS02,SOT26,6P,2.9x1.6mm,P	1	SA		AC147	2203-000257	C-CER,CHIP;10nF,10%,50V,X7R,TP,1608	1	SA	
TP14	1209-001742	IC-SENSOR;SS02,SOT26,6P,2.9x1.6mm,P	1	SA		AC148	2203-005249	C-CER,CHIP;100nF,10%,50V,X7R,1608	1	SA	
TP17	1209-001742	IC-SENSOR;SS02,SOT26,6P,2.9x1.6mm,P	1	SA		AC149	2305-000407	C-FILM,LEAD-PEF;470nF,5%,100V,TP,10	1	SA	
TP4	1209-001742	IC-SENSOR;SS02,SOT26,6P,2.9x1.6mm,P	1	SA		AC150	2203-005249	C-CER,CHIP;100nF,10%,50V,X7R,1608	1	SA	
TP5	1209-001742	IC-SENSOR;SS02,SOT26,6P,2.9x1.6mm,P	1	SA		AC151	2305-000407	C-FILM,LEAD-PEF;470nF,5%,100V,TP,10	1	SA	
TP6	1209-001742	IC-SENSOR;SS02,SOT26,6P,2.9x1.6mm,P	1	SA		AC152	2203-005249	C-CER,CHIP;100nF,10%,50V,X7R,1608	1	SA	
XA100_KEY_PCB	AH41-01122A	PCB-KEY;HT-XA100 KEY PCB,EPOXY,2,0,	0.143	SNA		AC153	2203-005249	C-CER,CHIP;100nF,10%,50V,X7R,1608	1	SA	
	AH99-10012A	ASSY PCB-KEY;m;HT-XA100 KEY PCB,EXP	1	SNA		AC154	2305-000407	C-FILM,LEAD-PEF;470nF,5%,100V,TP,10	1	SA	
	AH92-02832F	ASSY PCB-AMP-EUROPE;HT-XA100 AMP PC	1	SA		AC155	2203-005249	C-CER,CHIP;100nF,10%,50V,X7R,1608	1	SA	
AC1	2203-000236	C-CER,CHIP;0.1nF,5%,50V,C0G,1608	1	SA		AC156	2203-005249	C-CER,CHIP;100nF,10%,50V,X7R,1608	1	SA	
AC100	2203-001634	C-CER,CHIP;33nF,10%,50V,X7R,1608	1	SA		AC157	2203-005249	C-CER,CHIP;100nF,10%,50V,X7R,1608	1	SA	
AC101	2203-001634	C-CER,CHIP;33nF,10%,50V,X7R,1608	1	SA		AC158	2305-000407	C-FILM,LEAD-PEF;470nF,5%,100V,TP,10	1	SA	
AC102	2203-005249	C-CER,CHIP;100nF,10%,50V,X7R,1608	1	SA		AC159	2203-005249	C-CER,CHIP;100nF,10%,50V,X7R,1608	1	SA	
AC103	2203-005249	C-CER,CHIP;100nF,10%,50V,X7R,1608	1	SA		AC160	2401-001502	C-AL;47uF,20%,16V,GP,TP,6.3x5.2,5	1	SA	
AC104	2203-001634	C-CER,CHIP;33nF,10%,50V,X7R,1608	1	SA		AC162	2203-005249	C-CER,CHIP;100nF,10%,50V,X7R,1608	1	SA	
AC105	2203-005249	C-CER,CHIP;100nF,10%,50V,X7R,1608	1	SA		AC163	2203-005249	C-CER,CHIP;100nF,10%,50V,X7R,1608	1	SA	
AC106	2203-006348	C-CER,CHIP;1000nF,10%,25V,X5R,1608	1	SA		AC164	2203-005249	C-CER,CHIP;100nF,10%,50V,X7R,1608	1	SA	
AC107	2203-000257	C-CER,CHIP;10nF,10%,50V,X7R,TP,1608	1	SA		AC165	2203-005249	C-CER,CHIP;100nF,10%,50V,X7R,1608	1	SA	
AC108	2203-000783	C-CER,CHIP;0.33nF,5%,50V,C0G,1608	1	SA		AC166	2203-000257	C-CER,CHIP;10nF,10%,50V,X7R,TP,1608	1	SA	
AC109	2203-005249	C-CER,CHIP;100nF,10%,50V,X7R,1608	1	SA		AC167	2203-000257	C-CER,CHIP;10nF,10%,50V,X7R,TP,1608	1	SA	
AC110	2401-004106	C-AL;680uF,20%,50V,-BK,12.5 x 35,5	1	SA		AC168	2203-005249	C-CER,CHIP;100nF,10%,50V,X7R,1608	1	SA	
AC111	2203-000783	C-CER,CHIP;0.33nF,5%,50V,C0G,1608	1	SA		AC169	2203-005249	C-CER,CHIP;100nF,10%,50V,X7R,1608	1	SA	
AC112	2203-000783	C-CER,CHIP;0.33nF,5%,50V,C0G,1608	1	SA		AC170	2203-000257	C-CER,CHIP;10nF,10%,50V,X7R,TP,1608	1	SA	
AC113	2203-000783	C-CER,CHIP;0.33nF,5%,50V,C0G,1608	1	SA		AC171	2203-005249	C-CER,CHIP;100nF,10%,50V,X7R,1608	1	SA	
AC114	2203-000257	C-CER,CHIP;10nF,10%,50V,X7R,TP,1608	1	SA		AC172	2203-000257	C-CER,CHIP;10nF,10%,50V,X7R,TP,1608	1	SA	
AC115	2203-005249	C-CER,CHIP;100nF,10%,50V,X7R,1608	1	SA		AC173	2203-005249	C-CER,CHIP;100nF,10%,50V,X7R,1608	1	SA	
AC116	2401-004106	C-AL;680uF,20%,50V,-BK,12.5 x 35,5	1	SA		AC174	2203-000257	C-CER,CHIP;10nF,10%,50V,X7R,TP,1608	1	SA	
AC117	2203-000257	C-CER,CHIP;10nF,10%,50V,X7R,TP,1608	1	SA		AC175	2203-005249	C-CER,CHIP;100nF,10%,50V,X7R,1608	1	SA	
AC118	2203-005249	C-CER,CHIP;100nF,10%,50V,X7R,1608	1	SA		AC176	2203-000257	C-CER,CHIP;10nF,10%,50V,X7R,TP,1608	1	SA	
AC119	2401-004106	C-AL;680uF,20%,50V,-BK,12.5 x 35,5	1	SA		AC177	2203-000257	C-CER,CHIP;10nF,10%,50V,X7R,TP,1608	1	SA	
AC120	2203-000783	C-CER,CHIP;0.33nF,5%,50V,C0G,1608	1	SA		AC178	2203-005249	C-CER,CHIP;100nF,10%,50V,X7R,1608	1	SA	
AC121	2203-000783	C-CER,CHIP;0.33nF,5%,50V,C0G,1608	1	SA		AC179	2203-005249	C-CER,CHIP;100nF,10%,50V,X7R,1608	1	SA	
AC122	2203-000783	C-CER,CHIP;0.33nF,5%,50V,C0G,1608	1	SA		AC180	2203-000257	C-CER,CHIP;10nF,10%,50V,X7R,TP,1608	1	SA	
AC123	2203-000783	C-CER,CHIP;0.33nF,5%,50V,C0G,1608	1	SA		AC181	2203-005249	C-CER,CHIP;100nF,10%,50V,X7R,1608	1	SA	
AC124	2203-000257	C-CER,CHIP;10nF,10%,50V,X7R,TP,1608	1	SA		AC182	2401-000651	C-AL;2.2uF,20%,50V,GP,TP,4x7,5	1	SA	
AC125	2203-005249	C-CER,CHIP;100nF,10%,50V,X7R,1608	1	SA		AC183	2401-000651	C-AL;2.2uF,20%,50V,GP,TP,4x7,5	1	SA	
AC126	2401-004106	C-AL;680uF,20%,50V,-BK,12.5 x 35,5	1	SA		AC185	2401-000303	C-AL;100uF,20%,25V,WT,TP,6.3x11mm,5	1	SA	
AC127	2203-000257	C-CER,CHIP;10nF,10%,50V,X7R,TP,1608	1	SA		AC186	2203-005249	C-CER,CHIP;100nF,10%,50V,X7R,1608	1	SA	
AC128	2203-005249	C-CER,CHIP;100nF,10%,50V,X7R,1608	1	SA		AC187	2401-000303	C-AL;100uF,20%,25V,WT,TP,6.3x11mm,5	1	SA	
AC129	2401-004106	C-AL;680uF,20%,50V,-BK,12.5 x 35,5	1	SA		AC188	2401-001882	C-AL;1000uF,20%,16V,LZ,-,10x20,-	1	SA	
AC130	2203-000783	C-CER,CHIP;0.33nF,5%,50V,C0G,1608	1	SA		AC190	2401-000118	C-AL;1000uF,20%,10V,GP,TP,10x12.5,5	1	SA	
AC131	2203-000783	C-CER,CHIP;0.33nF,5%,50V,C0G,1608	1	SA		AC191	2401-000303	C-AL;100uF,20%,25V,WT,TP,6.3x11mm,5	1	SA	
AC132	2203-000783	C-CER,CHIP;0.33nF,5%,50V,C0G,1608	1	SA		AC22	2401-000832	C-AL;220uF,20%,25V,GP,TP,8x11.5,5	1	SA	
AC133	2203-000783	C-CER,CHIP;0.33nF,5%,50V,C0G,1608	1	SA		AC24	2203-005249	C-CER,CHIP;100nF,10%,50V,X7R,1608	1	SA	
AC134	2203-000257	C-CER,CHIP;10nF,10%,50V,X7R,TP,1608	1	SA		AC31	2203-005249	C-CER,CHIP;100nF,10%,50V,X7R,1608	1	SA	
AC135	2203-005249	C-CER,CHIP;100nF,10%,50V,X7R,1608	1	SA		AC38	2203-005249	C-CER,CHIP;100nF,10%,50V,X7R,1608	1	SA	
AC136	2401-004106	C-AL;680uF,20%,50V,-BK,12.5 x 35,5	1	SA		AC39	2203-005249	C-CER,CHIP;100nF,10%,50V,X7R,1608	1	SA	
AC137	2401-001502	C-AL;47uF,20%,16V,GP,TP,6.3x5.2,5	1	SA		AC4	2203-000236	C-CER,CHIP;0.1nF,5%,50V,C0G,1608	1	SA	
AC138	2305-000407	C-FILM,LEAD-PEF;470nF,5%,100V,TP,10	1	SA		AC40	2203-005249	C-CER,CHIP;100nF,10%,50V,X7R,1608	1	SA	
AC139	2203-005249	C-CER,CHIP;100nF,10%,50V,X7R,1608	1	SA		AC41	2203-005249	C-CER,CHIP;100nF,10%,50V,X7R,1608	1	SA	
AC140	2203-000257	C-CER,CHIP;10nF,10%,50V,X7R,TP,1608	1	SA		AC56	2203-005249	C-CER,CHIP;100nF,10%,50V,X7R,1608	1	SA	
AC141	2203-005249	C-CER,CHIP;100nF,10%,50V,X7R,1608	1	SA		AC57	2203-000236	C-CER,CHIP;0.1nF,5%,50V,C0G,1608	1	SA	
AC142	2203-000257	C-CER,CHIP;10nF,10%,50V,X7R,TP,1608	1	SA		AC58	2203-006348	C-CER,CHIP;1000nF,10%,25V,X5R,1608	1	SA	
AC143	2305-000407	C-FILM,LEAD-PEF;470nF,5%,100V,TP,10	1	SA		AC59	2203-006348	C-CER,CHIP;1000nF,10%,25V,X5R,1608	1	SA	
AC144	2203-005249	C-CER,CHIP;100nF,10%,50V,X7R,1608	1	SA		AC60	2203-005249	C-CER,CHIP;100nF,10%,50V,X7R,1608	1	SA	
AC145	2203-005249	C-CER,CHIP;100nF,10%,50V,X7R,1608	1	SA		AC61	2203-000236	C-CER,CHIP;0.1nF,5%,50V,C0G,1608	1	SA	
						AC62	2203-006348	C-CER,CHIP;1000nF,10%,25V,X5R,1608	1	SA	

Exploded View & Part List

Loc. No.	Part No.	Description;Specification	Q'ty	SNA	Remark	Loc. No.	Part No.	Description;Specification	Q'ty	SNA	Remark
AC63	2203-006348	C-CER,CHIP;1000nF,10%,25V,X5R,1608	1	SA		AL2	3301-001495	BEAD-SMD;120ohm,2012,2500mA,TP,115o	1	SA	
AC64	2203-005249	C-CER,CHIP;100nF,10%,50V,X7R,1608	1	SA		AL3	3301-001495	BEAD-SMD;120ohm,2012,2500mA,TP,115o	1	SA	
AC65	2203-000236	C-CER,CHIP;0.1nF,5%,50V,C0G,1608	1	SA		AL6	3301-001069	BEAD-SMD;120ohm,1.6x0.8x0.8mm,200mA	1	SA	
AC66	2203-006348	C-CER,CHIP;1000nF,10%,25V,X5R,1608	1	SA		AL8	AH27-00055A	COIL CHOKE;DBF-1310A,HT-DS600,10uH,	1	SA	
AC67	2401-002300	C-AL;47##F,20%,50V,GP,TP,6.3x11,5mm	1	SA		AL9	AH27-00055A	COIL CHOKE;DBF-1310A,HT-DS600,10uH,	1	SA	
AC68	2203-005249	C-CER,CHIP;100nF,10%,50V,X7R,1608	1	SA		AMP_IC HOLDER	AH61-02525A	HOLDER-PCB;HT-A100,PBT,T1.2,W12.3,L	1	SA	
AC69	2401-002300	C-AL;47##F,20%,50V,GP,TP,6.3x11,5mm	1	SA		APC140	2203-000257	C-CER,CHIP;10nF,10%,50V,X7R,TP,1608	1	SA	
AC70	2203-005249	C-CER,CHIP;100nF,10%,50V,X7R,1608	1	SA		APC142	2203-000257	C-CER,CHIP;10nF,10%,50V,X7R,TP,1608	1	SA	
AC71	2203-006348	C-CER,CHIP;1000nF,10%,25V,X5R,1608	1	SA		APC146	2203-000257	C-CER,CHIP;10nF,10%,50V,X7R,TP,1608	1	SA	
AC72	2401-002300	C-AL;47##F,20%,50V,GP,TP,6.3x11,5mm	1	SA		APC147	2203-000257	C-CER,CHIP;10nF,10%,50V,X7R,TP,1608	1	SA	
AC73	2203-005249	C-CER,CHIP;100nF,10%,50V,X7R,1608	1	SA		APC162	2203-005249	C-CER,CHIP;100nF,10%,50V,X7R,1608	1	SA	
AC77	2203-001634	C-CER,CHIP;33nF,10%,50V,X7R,1608	1	SA		APC163	2203-005249	C-CER,CHIP;100nF,10%,50V,X7R,1608	1	SA	
AC78	2203-006348	C-CER,CHIP;1000nF,10%,25V,X5R,1608	1	SA		APC164	2203-005249	C-CER,CHIP;100nF,10%,50V,X7R,1608	1	SA	
AC79	2203-005249	C-CER,CHIP;100nF,10%,50V,X7R,1608	1	SA		APC165	2203-005249	C-CER,CHIP;100nF,10%,50V,X7R,1608	1	SA	
AC80	2203-001634	C-CER,CHIP;33nF,10%,50V,X7R,1608	1	SA		APC166	2203-000257	C-CER,CHIP;10nF,10%,50V,X7R,TP,1608	1	SA	
AC81	2203-001634	C-CER,CHIP;33nF,10%,50V,X7R,1608	1	SA		APC167	2203-000257	C-CER,CHIP;10nF,10%,50V,X7R,TP,1608	1	SA	
AC82	2203-005249	C-CER,CHIP;100nF,10%,50V,X7R,1608	1	SA		APC168	2203-005249	C-CER,CHIP;100nF,10%,50V,X7R,1608	1	SA	
AC83	2203-005249	C-CER,CHIP;100nF,10%,50V,X7R,1608	1	SA		APC169	2203-005249	C-CER,CHIP;100nF,10%,50V,X7R,1608	1	SA	
AC84	2203-001634	C-CER,CHIP;33nF,10%,50V,X7R,1608	1	SA		APC170	2203-000257	C-CER,CHIP;10nF,10%,50V,X7R,TP,1608	1	SA	
AC85	2203-005249	C-CER,CHIP;100nF,10%,50V,X7R,1608	1	SA		APC171	2203-005249	C-CER,CHIP;100nF,10%,50V,X7R,1608	1	SA	
AC86	2203-006348	C-CER,CHIP;1000nF,10%,25V,X5R,1608	1	SA		APC172	2203-000257	C-CER,CHIP;10nF,10%,50V,X7R,TP,1608	1	SA	
AC87	2203-001634	C-CER,CHIP;33nF,10%,50V,X7R,1608	1	SA		APC173	2203-005249	C-CER,CHIP;100nF,10%,50V,X7R,1608	1	SA	
AC88	2203-006348	C-CER,CHIP;1000nF,10%,25V,X5R,1608	1	SA		APC174	2203-000257	C-CER,CHIP;10nF,10%,50V,X7R,TP,1608	1	SA	
AC89	2203-005249	C-CER,CHIP;100nF,10%,50V,X7R,1608	1	SA		APC175	2203-005249	C-CER,CHIP;100nF,10%,50V,X7R,1608	1	SA	
AC90	2203-001634	C-CER,CHIP;33nF,10%,50V,X7R,1608	1	SA		APC176	2203-000257	C-CER,CHIP;10nF,10%,50V,X7R,TP,1608	1	SA	
AC91	2203-005249	C-CER,CHIP;100nF,10%,50V,X7R,1608	1	SA		APC177	2203-000257	C-CER,CHIP;10nF,10%,50V,X7R,TP,1608	1	SA	
AC92	2203-001634	C-CER,CHIP;33nF,10%,50V,X7R,1608	1	SA		APC178	2203-005249	C-CER,CHIP;100nF,10%,50V,X7R,1608	1	SA	
AC93	2203-005249	C-CER,CHIP;100nF,10%,50V,X7R,1608	1	SA		APC179	2203-005249	C-CER,CHIP;100nF,10%,50V,X7R,1608	1	SA	
AC94	2203-001634	C-CER,CHIP;33nF,10%,50V,X7R,1608	1	SA		APC180	2203-000257	C-CER,CHIP;10nF,10%,50V,X7R,TP,1608	1	SA	
AC95	2203-005249	C-CER,CHIP;100nF,10%,50V,X7R,1608	1	SA		APC181	2203-005249	C-CER,CHIP;100nF,10%,50V,X7R,1608	1	SA	
AC96	2203-006348	C-CER,CHIP;1000nF,10%,25V,X5R,1608	1	SA		APR141	2007-002425	R-CHIP;1ohm,5%,1/10W,TP,1608	1	SA	
AC97	2203-006348	C-CER,CHIP;1000nF,10%,25V,X5R,1608	1	SA		APR143	2007-002425	R-CHIP;1ohm,5%,1/10W,TP,1608	1	SA	
AC98	2203-001634	C-CER,CHIP;33nF,10%,50V,X7R,1608	1	SA		APR146	2007-002425	R-CHIP;1ohm,5%,1/10W,TP,1608	1	SA	
AC99	2203-005249	C-CER,CHIP;100nF,10%,50V,X7R,1608	1	SA		APR147	2007-002425	R-CHIP;1ohm,5%,1/10W,TP,1608	1	SA	
AD10	0401-000005	DIODE-SWITCHING;1N4148,75V,150mA,DO	1	SA		APR149	2007-002425	R-CHIP;1ohm,5%,1/10W,TP,1608	1	SA	
AD5	0401-001090	DIODE-SWITCHING;1SS355,80V,100MA,SO	1	SA		APR160	2007-002425	R-CHIP;1ohm,5%,1/10W,TP,1608	1	SA	
AD6	0401-001090	DIODE-SWITCHING;1SS355,80V,100MA,SO	1	SA		APR161	2007-002425	R-CHIP;1ohm,5%,1/10W,TP,1608	1	SA	
AIC1	1203-000110	IC-NEGA.FIXED REG.;7912,TO-220,3P,-	1	SA		APR162	2007-002425	R-CHIP;1ohm,5%,1/10W,TP,1608	1	SA	
AIC2	1203-000165	IC-POS.I.ADJUST REG.;78R12,TO-220,4P	1	SA		APR163	2007-002425	R-CHIP;1ohm,5%,1/10W,TP,1608	1	SA	
AIC4	1203-001589	IC-POS.I.FIXED REG.;278R05,TO-220F,4	1	SA		APR164	2007-002425	R-CHIP;1ohm,5%,1/10W,TP,1608	1	SA	
AIC5	1203-001586	IC-POS.I.FIXED REG.;278R33,TO-220F,4	1	SA		APR165	2007-002425	R-CHIP;1ohm,5%,1/10W,TP,1608	1	SA	
AIC6	1201-002270	IC-AUDIO AMP;TAS5142,PSOP3,36P,15.9	1	SA		APR166	2007-002425	R-CHIP;1ohm,5%,1/10W,TP,1608	1	SA	
AIC7	1201-002270	IC-AUDIO AMP;TAS5142,PSOP3,36P,15.9	1	SA		AQ1	0501-000422	TR-SMALL SIGNAL;KTA1273,P.NP,-30V,-3	1	SA	
AIC8	1201-002270	IC-AUDIO AMP;TAS5142,PSOP3,36P,15.9	1	SA		AQ2	0504-000128	TR-DIGITAL;-NPN,200MW,22K/22K,SOT-	1	SA	
AJ1	AH39-00986A	WIRE HARNESS;HT-XA100,9P-9B F.L/W #	1	SA		AQ5	0501-000422	TR-SMALL SIGNAL;KTA1273,P.NP,-30V,-3	1	SA	
AJ4	3711-000814	HEADER-BOARD TO CABLE;BOX,2P,1R,2.5	1	SA		AQ6	0501-000341	TR-SMALL SIGNAL;KSC1623-L,NPN,200mW	1	SA	
AJ5	3711-006121	HEADER-BOARD TO BOARD;NOWALL,6P,1R,	1	SA		AQ7	0501-000362	TR-SMALL SIGNAL;KSC2328A-Y,NPN,1000	1	SA	
AJ6	3711-006121	HEADER-BOARD TO BOARD;NOWALL,6P,1R,	1	SA		AQ8	0501-000006	TR-SMALL SIGNAL;KTA1266,P.NP,625mW,T	1	SA	
AL1	3301-001495	BEAD-SMD;120ohm,2012,2500mA,TP,115o	1	SA		AR10	2007-000102	R-CHIP;100Kohm,5%,1/10W,TP,1608	1	SA	
AL10	AH27-00055A	COIL CHOKE;DBF-1310A,HT-DS600,10uH,	1	SA		AR100	2007-000090	R-CHIP;10Kohm,5%,1/10W,TP,1608	1	SA	
AL11	AH27-00055A	COIL CHOKE;DBF-1310A,HT-DS600,10uH,	1	SA		AR101	2007-000090	R-CHIP;10Kohm,5%,1/10W,TP,1608	1	SA	
AL12	AH27-00055A	COIL CHOKE;DBF-1310A,HT-DS600,10uH,	1	SA		AR102	2007-000034	R-CHIP;1OHM,5%,1/4W,TP,3216	1	SA	
AL13	AH27-00055A	COIL CHOKE;DBF-1310A,HT-DS600,10uH,	1	SA		AR103	2007-000312	R-CHIP;10ohm,5%,1/4W,TP,3216	1	SA	
AL14	AH27-00055A	COIL CHOKE;DBF-1310A,HT-DS600,10uH,	1	SA		AR109	2007-000312	R-CHIP;10ohm,5%,1/4W,TP,3216	1	SA	
AL15	AH27-00055A	COIL CHOKE;DBF-1310A,HT-DS600,10uH,	1	SA		AR110	2007-000312	R-CHIP;10ohm,5%,1/4W,TP,3216	1	SA	
AL16	AH27-00055A	COIL CHOKE;DBF-1310A,HT-DS600,10uH,	1	SA		AR111	2007-000312	R-CHIP;10ohm,5%,1/4W,TP,3216	1	SA	
AL17	AH27-00055A	COIL CHOKE;DBF-1310A,HT-DS600,10uH,	1	SA		AR112	2007-000312	R-CHIP;10ohm,5%,1/4W,TP,3216	1	SA	
AL18	AH27-00055A	COIL CHOKE;DBF-1310A,HT-DS600,10uH,	1	SA		AR113	2007-000312	R-CHIP;10ohm,5%,1/4W,TP,3216	1	SA	
AL19	AH27-00055A	COIL CHOKE;DBF-1310A,HT-DS600,10uH,	1	SA							

Loc. No.	Part No.	Description;Specification	Q'ty	SNA	Remark	Loc. No.	Part No.	Description;Specification	Q'ty	SNA	Remark
AR114	2007-000312	R-CHIP;10ohm,5%,1/4W,TP,3216	1	SA		AR177	2001-000734	R-CARBON;4.7KOHM,5%,1/8W,AA,TP,1.8X	1	SA	
AR115	2007-000695	R-CHIP;3.3ohm,5%,1/10W,TP,1608	1	SA		AR178	2001-000429	R-CARBON;1KOHM,5%,1/8W,AA,TP,1.8X3.	1	SA	
AR116	2007-000463	R-CHIP;18ohm,5%,1/10W,TP,1608	1	SA		AR179	2001-000472	R-CARBON;2.7KOHM,5%,1/8W,AA,TP,1.8X	1	SA	
AR117	2007-000463	R-CHIP;18ohm,5%,1/10W,TP,1608	1	SA		AR180	2001-000702	R-CARBON;39KOHM,5%,1/8W,AA,TP,1.8X3	1	SA	
AR118	2007-000463	R-CHIP;18ohm,5%,1/10W,TP,1608	1	SA		AR181	2004-000869	R-METAL;3Kohm,1%,1/8W,AA,TP,1.8x3.2	1	SA	
AR119	2007-000463	R-CHIP;18ohm,5%,1/10W,TP,1608	1	SA		AR182	2004-000869	R-METAL;3Kohm,1%,1/8W,AA,TP,1.8x3.2	1	SA	
AR120	2007-000695	R-CHIP;3.3ohm,5%,1/10W,TP,1608	1	SA		AR183	2007-000070	R-CHIP;0ohm,5%,1/10W,TP,1608	1	SA	
AR121	2007-000695	R-CHIP;3.3ohm,5%,1/10W,TP,1608	1	SA		AR186	2007-000070	R-CHIP;0ohm,5%,1/10W,TP,1608	1	SA	
AR122	2007-000463	R-CHIP;18ohm,5%,1/10W,TP,1608	1	SA		AR23	2007-000097	R-CHIP;47Kohm,5%,1/10W,TP,1608	1	SA	
AR123	2007-000463	R-CHIP;18ohm,5%,1/10W,TP,1608	1	SA		AR42	2007-000253	R-CHIP;1.5ohm,5%,1/4W,TP,3216	1	SA	
AR124	2007-000463	R-CHIP;18ohm,5%,1/10W,TP,1608	1	SA		AR5	2007-000583	R-CHIP;22Kohm,1%,1/10W,TP,1608	1	SA	
AR125	2007-000463	R-CHIP;18ohm,5%,1/10W,TP,1608	1	SA		AR6	2007-000583	R-CHIP;22Kohm,1%,1/10W,TP,1608	1	SA	
AR126	2007-000695	R-CHIP;3.3ohm,5%,1/10W,TP,1608	1	SA		AR68	2007-000070	R-CHIP;0ohm,5%,1/10W,TP,1608	1	SA	
AR127	2007-000695	R-CHIP;3.3ohm,5%,1/10W,TP,1608	1	SA		AR69	2007-000070	R-CHIP;0ohm,5%,1/10W,TP,1608	1	SA	
AR128	2007-000463	R-CHIP;18ohm,5%,1/10W,TP,1608	1	SA		AR7	2007-000102	R-CHIP;100Kohm,5%,1/10W,TP,1608	1	SA	
AR129	2007-000463	R-CHIP;18ohm,5%,1/10W,TP,1608	1	SA		AR70	2007-000094	R-CHIP;22Kohm,5%,1/10W,TP,1608	1	SA	
AR130	2007-000463	R-CHIP;18ohm,5%,1/10W,TP,1608	1	SA		AR71	2007-000070	R-CHIP;0ohm,5%,1/10W,TP,1608	1	SA	
AR131	2007-000695	R-CHIP;3.3ohm,5%,1/10W,TP,1608	1	SA		AR72	2007-000070	R-CHIP;0ohm,5%,1/10W,TP,1608	1	SA	
AR132	2007-000463	R-CHIP;18ohm,5%,1/10W,TP,1608	1	SA		AR73	2007-000094	R-CHIP;22Kohm,5%,1/10W,TP,1608	1	SA	
AR133	2003-000674	R-METAL OXIDE(S);39ohm,5%,1W,AA,TP,	1	SA		AR74	2007-000070	R-CHIP;0ohm,5%,1/10W,TP,1608	1	SA	
AR134	2003-000775	R-METAL OXIDE(S);68ohm,5%,1W,AA,TP,	1	SA		AR75	2007-000070	R-CHIP;0ohm,5%,1/10W,TP,1608	1	SA	
AR135	2007-000097	R-CHIP;47Kohm,5%,1/10W,TP,1608	1	SA		AR79	2007-000312	R-CHIP;10ohm,5%,1/4W,TP,3216	1	SA	
AR136	2001-000415	R-CARBON;18ohm,5%,1/4W,AA,TP,2.4x6.	1	SA		AR80	2007-000070	R-CHIP;0ohm,5%,1/10W,TP,1608	1	SA	
AR137	2007-000084	R-CHIP;4.7Kohm,5%,1/10W,TP,1608	1	SA		AR82	2007-000070	R-CHIP;0ohm,5%,1/10W,TP,1608	1	SA	
AR138	2007-000090	R-CHIP;10Kohm,5%,1/10W,TP,1608	1	SA		AR83	2007-000094	R-CHIP;22Kohm,5%,1/10W,TP,1608	1	SA	
AR139	2007-000097	R-CHIP;47Kohm,5%,1/10W,TP,1608	1	SA		AR84	2007-000090	R-CHIP;10Kohm,5%,1/10W,TP,1608	1	SA	
AR140	2007-000052	R-CHIP;10Kohm,1%,1/10W,TP,1608	1	SA		AR85	2007-000090	R-CHIP;10Kohm,5%,1/10W,TP,1608	1	SA	
AR141	2007-002425	R-CHIP;1ohm,5%,1/10W,TP,1608	1	SA		AR86	2007-000034	R-CHIP;1OHM,5%,1/4W,TP,3216	1	SA	
AR142	2007-000052	R-CHIP;10Kohm,1%,1/10W,TP,1608	1	SA		AR87	2007-000312	R-CHIP;10ohm,5%,1/4W,TP,3216	1	SA	
AR143	2007-002425	R-CHIP;1ohm,5%,1/10W,TP,1608	1	SA		AR89	2007-000070	R-CHIP;0ohm,5%,1/10W,TP,1608	1	SA	
AR144	2007-000052	R-CHIP;10Kohm,1%,1/10W,TP,1608	1	SA		AR90	2007-000312	R-CHIP;10ohm,5%,1/4W,TP,3216	1	SA	
AR145	2007-000052	R-CHIP;10Kohm,1%,1/10W,TP,1608	1	SA		AR91	2007-000070	R-CHIP;0ohm,5%,1/10W,TP,1608	1	SA	
AR146	2007-002425	R-CHIP;1ohm,5%,1/10W,TP,1608	1	SA		AR92	2007-000090	R-CHIP;10Kohm,5%,1/10W,TP,1608	1	SA	
AR147	2007-002425	R-CHIP;1ohm,5%,1/10W,TP,1608	1	SA		AR93	2007-000090	R-CHIP;10Kohm,5%,1/10W,TP,1608	1	SA	
AR148	2007-000052	R-CHIP;10Kohm,1%,1/10W,TP,1608	1	SA		AR94	2007-000034	R-CHIP;1OHM,5%,1/4W,TP,3216	1	SA	
AR149	2007-000052	R-CHIP;10Kohm,1%,1/10W,TP,1608	1	SA		AR95	2007-000312	R-CHIP;10ohm,5%,1/4W,TP,3216	1	SA	
AR150	2007-000052	R-CHIP;10Kohm,1%,1/10W,TP,1608	1	SA		AR96	2007-000312	R-CHIP;10ohm,5%,1/4W,TP,3216	1	SA	
AR151	2007-000052	R-CHIP;10Kohm,1%,1/10W,TP,1608	1	SA		AR98	2007-000070	R-CHIP;0ohm,5%,1/10W,TP,1608	1	SA	
AR152	2007-000052	R-CHIP;10Kohm,1%,1/10W,TP,1608	1	SA		AR99	2007-000070	R-CHIP;0ohm,5%,1/10W,TP,1608	1	SA	
AR153	2007-000052	R-CHIP;10Kohm,1%,1/10W,TP,1608	1	SA		AV2	AH39-00987A	WIRE HARNESS;HT-XA100,15P-15B F.L/W	1	SA	
AR154	2007-000052	R-CHIP;10Kohm,1%,1/10W,TP,1608	1	SA		AV4	3708-002403	CONNECTOR-FPC/FFC/PIC;23P,1mm,SMD-S	1	SA	
AR155	2007-000052	R-CHIP;10Kohm,1%,1/10W,TP,1608	1	SA		AVJ1	3722-002027	JACK-PIN;6P/6C,SN,YEL/GN/WH/BL/RD,A	1	SA	
AR156	2007-000134	R-CHIP;33Kohm,5%,1/10W,TP,1608	1	SA		CN01	3708-002403	CONNECTOR-FPC/FFC/PIC;23P,1mm,SMD-S	1	SA	
AR157	2007-000097	R-CHIP;47Kohm,5%,1/10W,TP,1608	1	SA		ESD30	0406-001128	DIODE-TVS;MLVS-0603-E08,50V,-,-	1	SA	
AR158	2007-000097	R-CHIP;47Kohm,5%,1/10W,TP,1608	1	SA		FCN11	3708-001837	CONNECTOR-FPC/FFC/PIC;15P,1mm,SMD-S	1	SA	
AR159	2007-002425	R-CHIP;1ohm,5%,1/10W,TP,1608	1	SA		GB01	3002-001134	BUZZER-PIEZO;85DB,12V,-,2K-4KHZ,BK	1	SA	
AR160	2007-002425	R-CHIP;1ohm,5%,1/10W,TP,1608	1	SA		GC01	2203-005249	C-CER,CHIP;100nF,10%,50V,X7R,1608	1	SA	
AR161	2007-002425	R-CHIP;1ohm,5%,1/10W,TP,1608	1	SA		GC02	2401-000804	C-AL;220uF,20%,16V,GP,TP,8x9mm,5	1	SA	
AR162	2007-002425	R-CHIP;1ohm,5%,1/10W,TP,1608	1	SA		GC03	2203-005249	C-CER,CHIP;100nF,10%,50V,X7R,1608	1	SA	
AR163	2007-002425	R-CHIP;1ohm,5%,1/10W,TP,1608	1	SA		GC06	2203-000236	C-CER,CHIP;0.1nF,5%,50V,C0G,1608	1	SA	
AR164	2007-002425	R-CHIP;1ohm,5%,1/10W,TP,1608	1	SA		GC07	2401-000487	C-AL;10uF,20%,50V,GP,TP,6.3x5mm,5	1	SA	
AR165	2007-002425	R-CHIP;1ohm,5%,1/10W,TP,1608	1	SA		GC08	2401-000487	C-AL;10uF,20%,50V,GP,TP,6.3x5mm,5	1	SA	
AR166	2007-002425	R-CHIP;1ohm,5%,1/10W,TP,1608	1	SA		GC09	2203-005249	C-CER,CHIP;100nF,10%,50V,X7R,1608	1	SA	
AR167	2007-000097	R-CHIP;47Kohm,5%,1/10W,TP,1608	1	SA		GC10	2203-005249	C-CER,CHIP;100nF,10%,50V,X7R,1608	1	SA	
AR168	2007-000097	R-CHIP;47Kohm,5%,1/10W,TP,1608	1	SA		GC11	2401-000487	C-AL;10uF,20%,50V,GP,TP,6.3x5mm,5	1	SA	
AR171	2007-000070	R-CHIP;0ohm,5%,1/10W,TP,1608	1	SA		GC24	2203-005249	C-CER,CHIP;100nF,10%,50V,X7R,1608	1	SA	
AR175	2007-000090	R-CHIP;10Kohm,5%,1/10W,TP,1608	1	SA		GCN1	3708-001555	CONNECTOR-FPC/FFC/PIC;20P,1mm,SMD-A	1	SA	
AR176	2007-000082	R-CHIP;3.3Kohm,5%,1/10W,TP,1608	1	SA		GCN2	3708-001925	CONNECTOR-FPC/FFC/PIC;7P,1MM,SMD-S,	1	SA	
						GCN3	3711-004349	HEADER-BOARD TO CABLE;BOX,3P,1R,2mm	1	SA	

Exploded View & Part List

Loc. No.	Part No.	Description;Specification	Q'ty	SNA	Remark	Loc. No.	Part No.	Description;Specification	Q'ty	SNA	Remark
GD1	0403-001284	DIODE-ZENER;RLZ3.3A,3.16-3.38V,500m	1	SA		WIRELESS BRACKET	AH61-02125A	BRACKET-X-READY;HT-Q20,SPT 0.5T,-,	1	SA	
GR03	2007-000074	R-CHIP;100ohm,5%,1/10W,TP,1608	1	SA		XA100_AMP_PCB	AH41-01123A	PCB-AMP;HT-XA100 AMP PCB,EPOXY,2,0,	1	SNA	
GR04	2007-000074	R-CHIP;100ohm,5%,1/10W,TP,1608	1	SA		AH99-10012J	ASSY PCB-AMP-EUROPE,m;HT-XA100 AMP	1	SNA		
GR05	2007-000074	R-CHIP;100ohm,5%,1/10W,TP,1608	1	SA							
GR06	2007-000074	R-CHIP;100ohm,5%,1/10W,TP,1608	1	SA							
GR07	2007-000103	R-CHIP;120Kohm,5%,1/10W,TP,1608	1	SA							
GR08	2007-000309	R-CHIP;10ohm,5%,1/10W,TP,1608	1	SA							
GR09	2007-000309	R-CHIP;10ohm,5%,1/10W,TP,1608	1	SA							
GR10	2007-000113	R-CHIP;33ohm,5%,1/10W,TP,1608	1	SA							
GR11	2007-000113	R-CHIP;33ohm,5%,1/10W,TP,1608	1	SA							
GR12	2007-000123	R-CHIP;1.5Kohm,5%,1/10W,TP,1608	1	SA							
GR13	2007-000097	R-CHIP;47Kohm,5%,1/10W,TP,1608	1	SA							
GR14	2007-000090	R-CHIP;10Kohm,5%,1/10W,TP,1608	1	SA							
GTR01	0501-000010	TR-SMALL SIGNAL;KSC1008,NPN,800mW,T	1	SA							
HEAT_SINK	AH62-00181A	HEAT SINK-AMP;HT-A100,AL,T5.0,W32.3	1	SA							
HOLDER-VFDAH61-02523A	HOLDER-VFD;HT-A100,ABS,T1.5,W32.3,L	1	SA								
HPC7	2203-000236	C-CER,CHIP;0.1nF,5%,50V,C0G,1608	1	SA							
HPC8	2203-000236	C-CER,CHIP;0.1nF,5%,50V,C0G,1608	1	SA							
HPC9	2203-000257	C-CER,CHIP;10nF,10%,50V,X7R,TP,1608	1	SA							
HPJ1	3722-000143	JACK-PHONE;1P(VER),AG,BLK,ANGLE	1	SA							
HPJ2	3722-000143	JACK-PHONE;1P(VER),AG,BLK,ANGLE	1	SA							
HPR1	2007-000102	R-CHIP;100Kohm,5%,1/10W,TP,1608	1	SA							
HPR2	2007-000102	R-CHIP;100Kohm,5%,1/10W,TP,1608	1	SA							
HPR3	2007-000094	R-CHIP;22Kohm,5%,1/10W,TP,1608	1	SA							
HPR4	2007-000094	R-CHIP;22Kohm,5%,1/10W,TP,1608	1	SA							
JCN11	3711-006655	HEADER-BOARD TO BOARD;NOWALL,28P,2R	1	SA							
JD01	0402-000309	DIODE-RECTIFIER;1SR154-400,400V,1A,	1	SA							
JD02	0402-000309	DIODE-RECTIFIER;1SR154-400,400V,1A,	1	SA							
ML51	3301-001495	BEAD-SMD;120ohm,2012,2500mA,TP,115o	1	SA							
OPTC1	2203-000626	C-CER,CHIP;0.022nF,5%,50V,C0G,1608	1	SA							
OPTC2	2401-000042	C-AL;100uF,20%,16V,GP,TP,6.3x7,5	1	SA							
OPTC3	2203-005148	C-CER,CHIP;100nF,10%,16V,X7R,TP,160	1	SA							
OPTC4	2203-000257	C-CER,CHIP;10nF,10%,50V,X7R,TP,1608	1	SA							
OPTJ1	0603-001205	OPTIC TRANSMITTER;5V,13.2Mb/s,-,-,-	1	SA							
OPTL1	3301-001495	BEAD-SMD;120ohm,2012,2500mA,TP,115o	1	SA							
OPTR1	2007-000076	R-CHIP;330ohm,5%,1/10W,TP,1608	1	SA							
OPTR2	2007-000090	R-CHIP;10Kohm,5%,1/10W,TP,1608	1	SA							
OPTR3	2007-000090	R-CHIP;10Kohm,5%,1/10W,TP,1608	1	SA							
RM01	0609-001202	MODULE REMOCON;HORIZONTAL,12.4mm,TR	1	SA							
SCN01	3710-002356	SOCKET-BOARD TO CABLE;6P,1R,5.08mm,	1	SA							
SCN02	3710-002356	SOCKET-BOARD TO CABLE;6P,1R,5.08mm,	1	SA							
SCREW	6003-000276	SCREW-TAPTITE;BH,+,-,B,M3,L10,ZPC(W	4	SNA							
SHEET_AMP	AH63-01639A	SHEET-AMP;HT-A100,PC,TO.2,W160,L38,	1	SA							
SHEET-FILTER	AH63-01558A	SHEET-FILTER;HT-A100,PC,TO.3,W36,L1	1	SNA							
SPK01	3716-001287	TERMINAL-BLOCK;WIRE TYPE,12P,43.2 m	1	SA							
SUPPORT_RIVET	AH61-40014A	SUPPORT-RIVET;-,-,-,-,-,-,-,-	3	SA							
UCN11	AH39-00988A	WIRE HARNESS-USB-MAIN;HT-XA100,4P-4	1	SA							
USB1	3722-001051	JACK-USB;4P/1C,AU,BLK,ANGLE,A TYPE	1	SA							
USB-SHIELD	AH63-01662A	SHIELD-USB;HT-A100,SPT,TO.3,W17.4,	1	SNA							
USC50	2401-001508	C-AL;47uF,20%,16V,GP,TP,6.3x5,5	1	SA							
USC51	2203-000257	C-CER,CHIP;10nF,10%,50V,X7R,TP,1608	1	SA							
USC53	2203-005148	C-CER,CHIP;100nF,10%,16V,X7R,TP,160	1	SA							
USD1	0401-001090	DIODE-SWITCHING;1SS355,80V,100MA,SO	1	SA							
USD2	0401-001090	DIODE-SWITCHING;1SS355,80V,100MA,SO	1	SA							
VFD1	AH97-02494A	ASSY-VFD DISPLAY;VFD (Driver IC+ccon	1	SA							
WCN11	3709-001287	CONNECTOR-CARD SLOT;10P,1.5mm,SMD-A	1	SA							
WCON2	3711-004109	HEADER-BOARD TO CABLE;3WALL,14P,1R,	1	SA							
WCON3	3710-001421	SOCKET-BOARD TO CABLE;14P,1R,2mm,AN	1	SA							