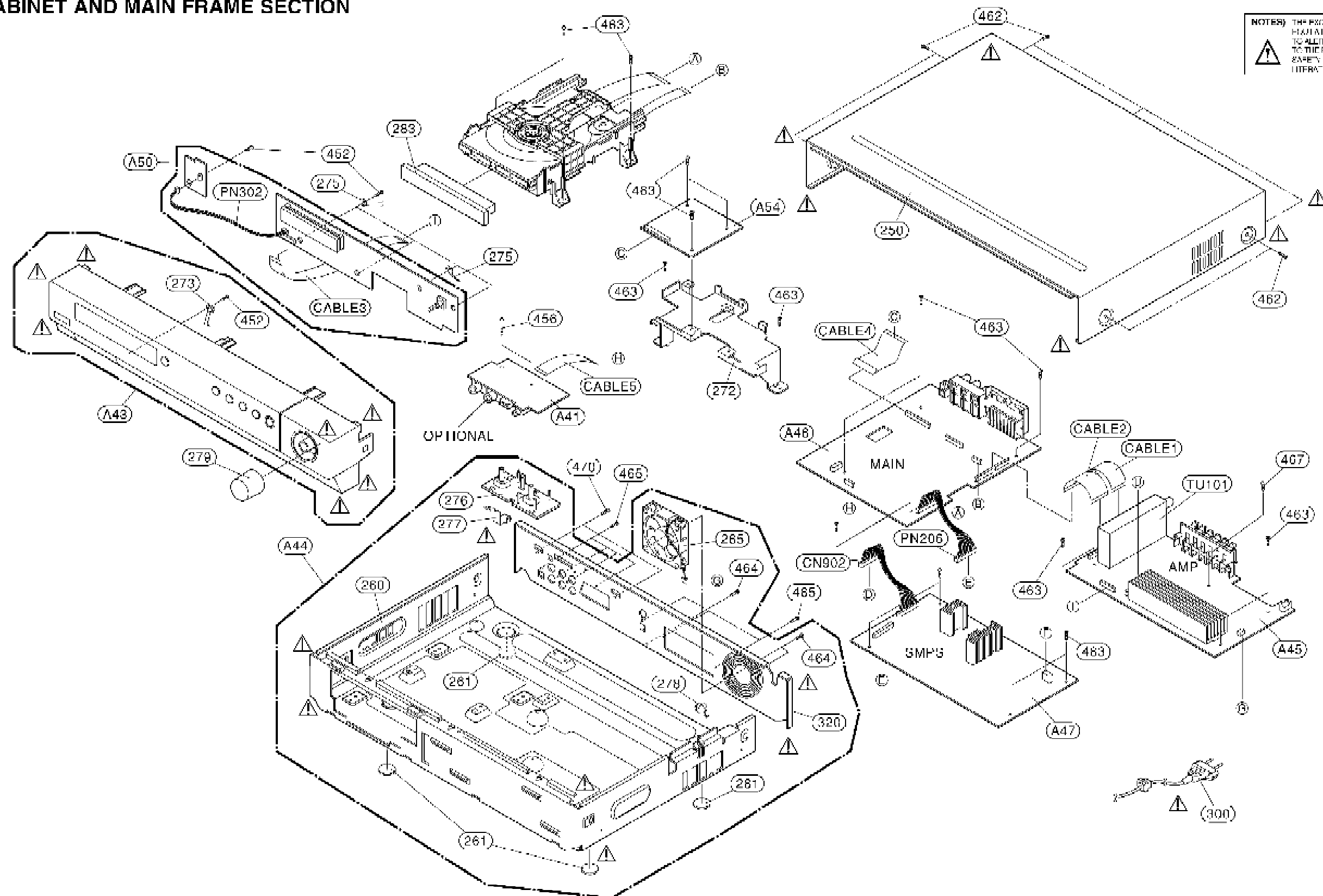


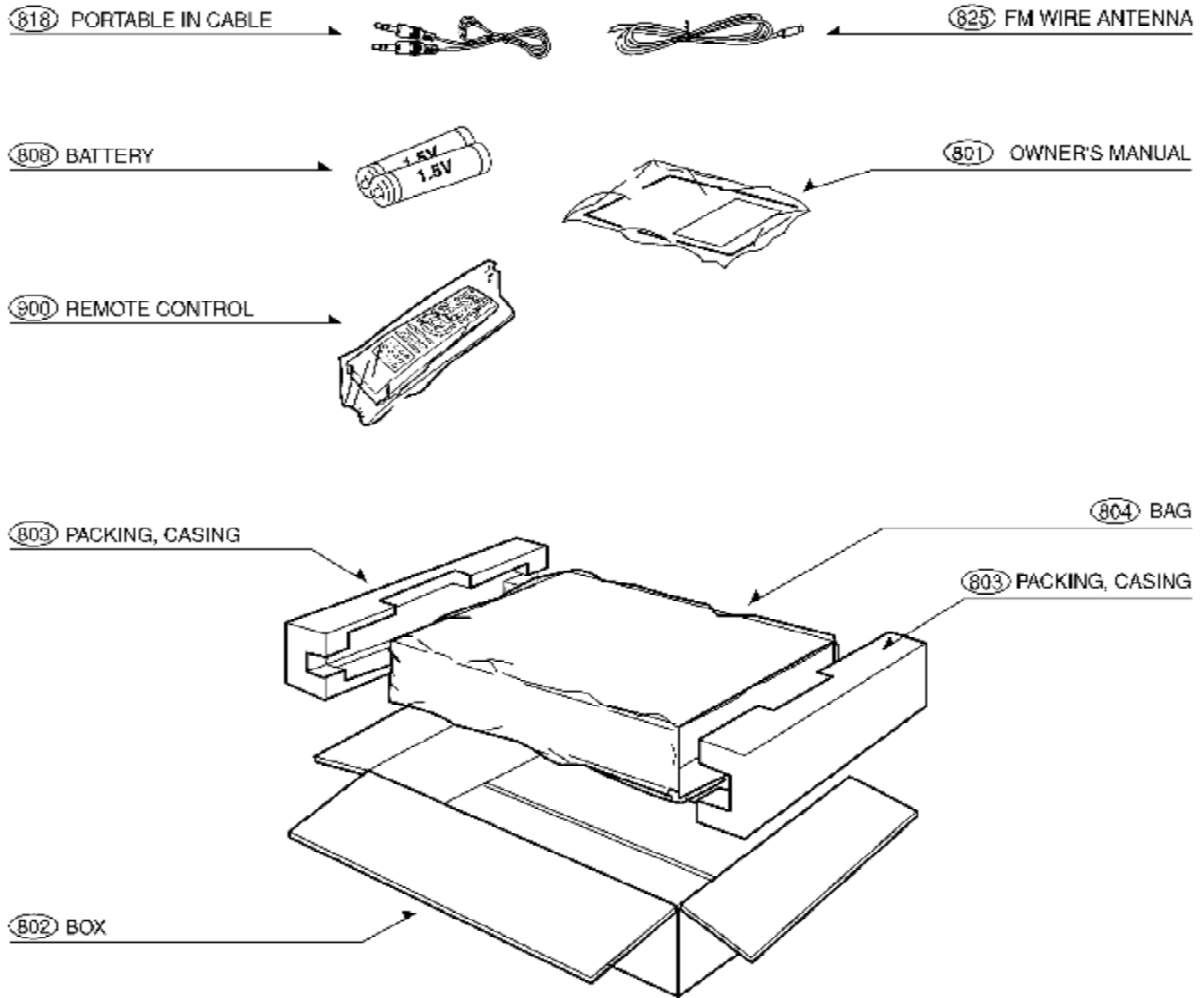
SECTION 3. EXPLODED VIEWS

CABINET AND MAIN FRAME SECTION



NOTES: THE INFORMATION CONTAINED WITHIN THIS MANUAL IS SUBJECT TO CHANGE WITHOUT NOTICE. TO AVOID THE RISK OF PERSONAL INJURY OR PROPERTY DAMAGE, ALWAYS READ THE SAFETY INFORMATION IN SERVICE LITERATURE.

• **PACKING ACCESSORY SECTION**

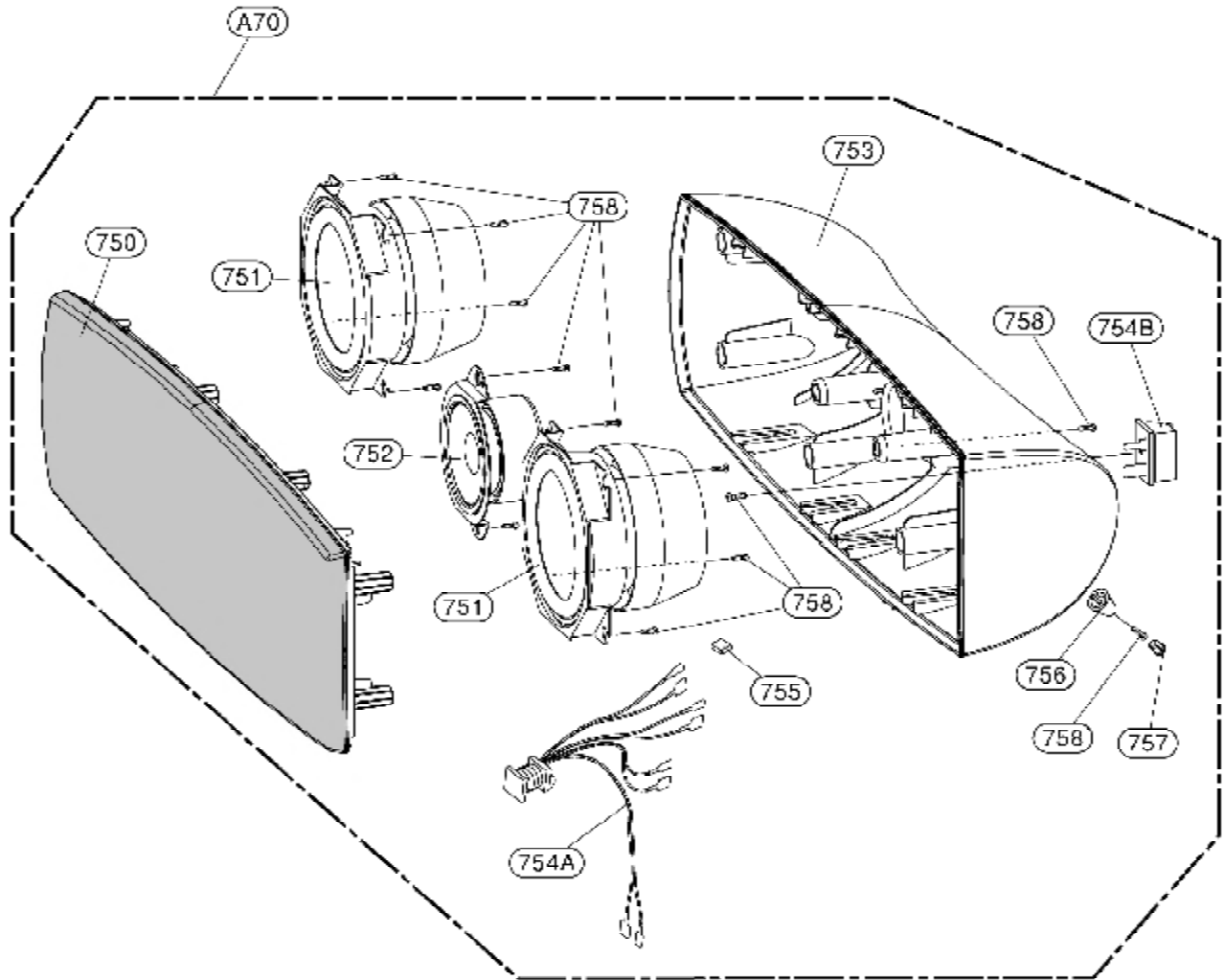


SPEAKER WIRE

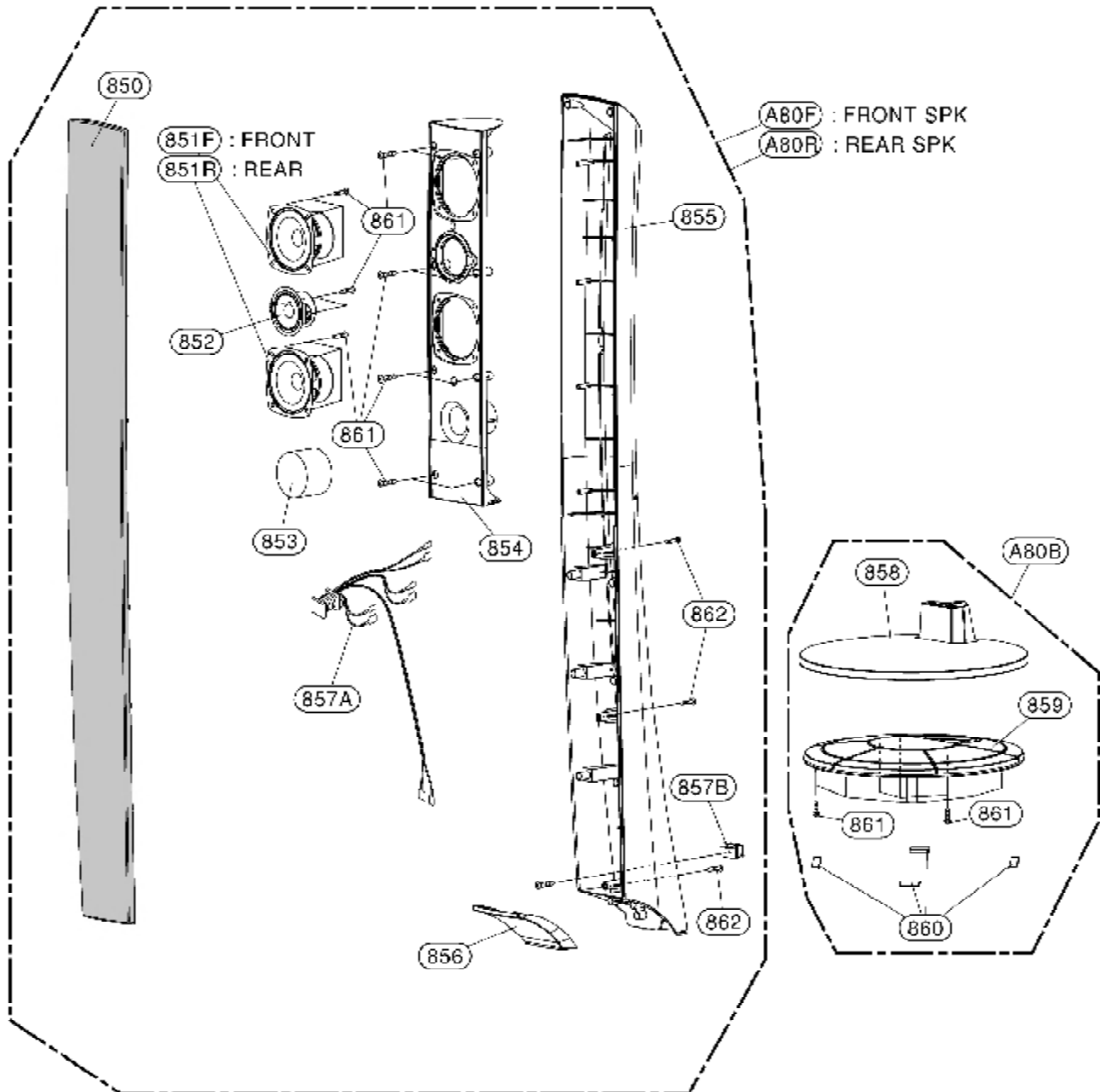
- WIRE80** RED 3M
- WIRE81** WHITE 3M
- WIRE70** GREEN 3M
- WIRE90** ORANGE 3M
- WIRE60** GRAY 10M
- WIRE61** BLUE 10M



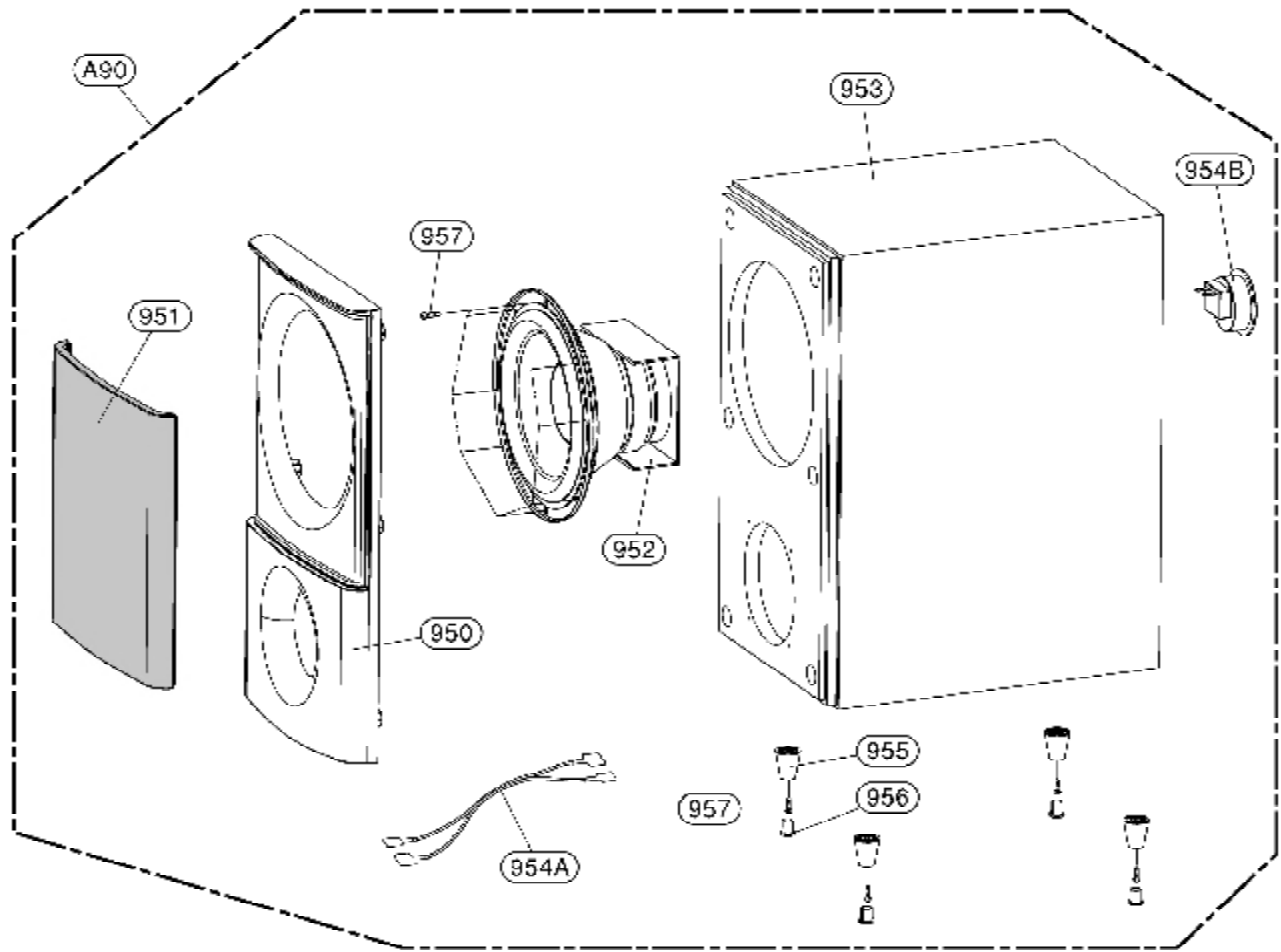
• **SPEAKER SECTION (SH54TH)**
1. **CENTER SPEAKER (SH54TH-C)**



2. FRONT/REAR SPEAKER (SH54TH-F/S)



3. PASSIVE SUBWOOFER (SH54TH-W)



• DECK MECHANISM EXPLODED VIEW(DP-12AV)

