

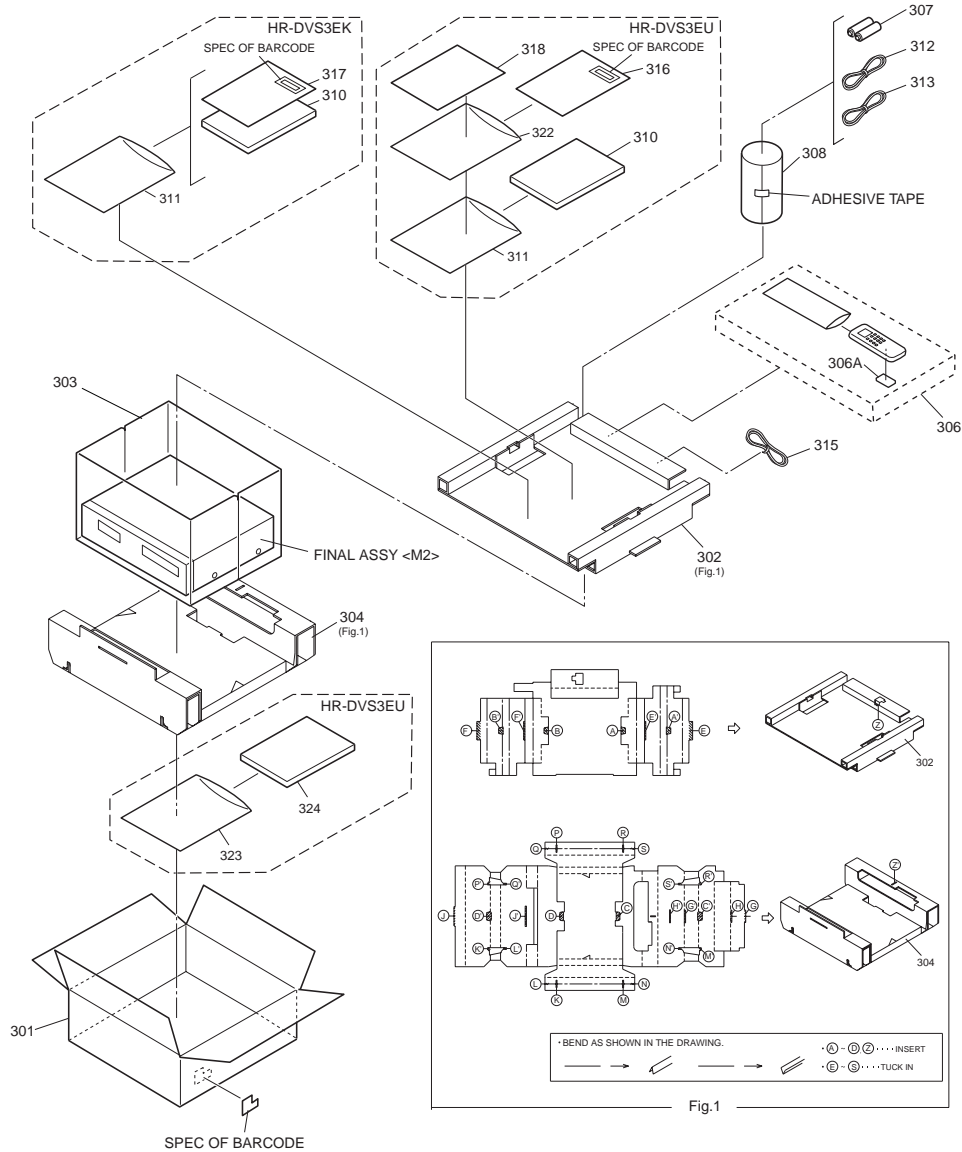
SECTION 5 PARTS LIST

SAFETY PRECAUTION

Parts identified by the \triangle symbol are critical for safety. Replace only with specified part numbers.

5.1 PACKING AND ACCESSORY ASSEMBLY <M1>

The instruction manual to be provided with this product will differ according to the destination.



#	\triangle REF No.	PART No.	PART NAME, DESCRIPTION

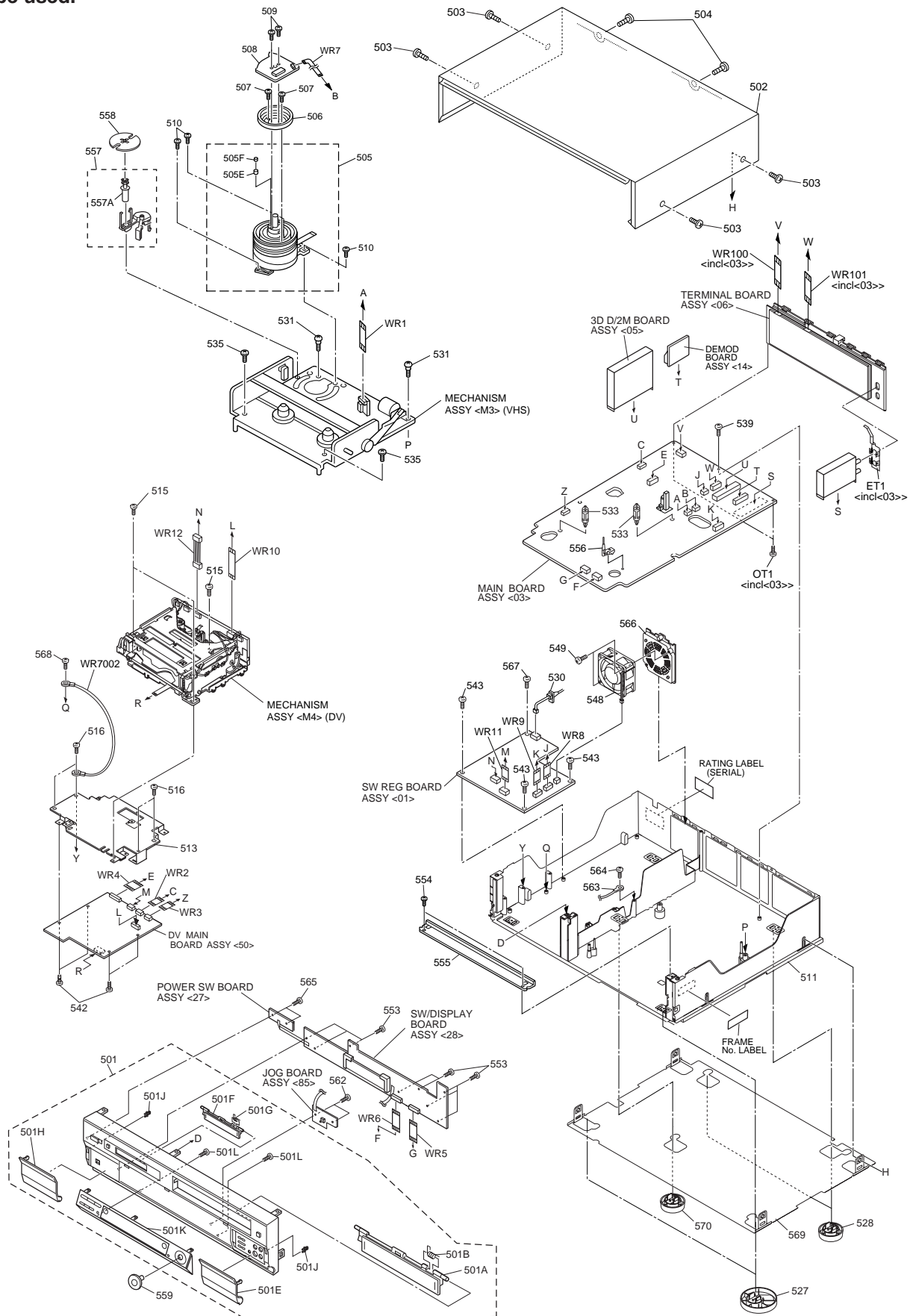
PACKING AND ACCESSORY ASSEMBLY <M1>			
		301	LP31052-002A PACKING CASE,DVS3EU LP31052-004A PACKING CASE,DVS3EK
		302	LP31053-001B CUSHION 1
		303	PQM30021-105 POLY BAG
		304	LP31054-001B CUSHION 2
		306	LP20873-006A REMOTE CONTROLLER
		306A	LP40254-006A COVER(BATTERY)
		307	- BATTERY,X2("R6"TYPE)
		308	QPC02202230P POLY BAG
\triangle		310	LPT0616-001B INST.BOOK(EN),DVS3EU
\triangle			LPT0616-002B INST.BOOK(GE),DVS3EU

#	\triangle REF No.	PART No.	PART NAME, DESCRIPTION
\triangle		LPT0617-001A	INST.BOOK(EN),DVS3EK
		311	QPC02503530P POLY BAG
		312	PEAC0300-02 RF CABLE
		313	QAL0095-005 LED CABLE ASSY
		315	QAM0238-002 PERI CABLE
		316	BT-54013-2 WARRANTY CARD,DVS3EU
		317	BT-54008-2 GUARANTY CARD,DVS3EK
		318	LP31118-001A SHEET,DVS3EU
		322	QPC02503530P POLY BAG,DVS3EU
		323	QPC02503530P POLY BAG,DVS3EU
\triangle		324	LPT0616-003A INST.BOOK(FR),DVS3EU
\triangle			LPT0616-004A INST.BOOK(DU),DVS3EU
\triangle			LPT0616-005A INST.BOOK(SP),DVS3EU
\triangle			LPT0616-006A INST.BOOK(IT),DVS3EU
\triangle			LPT0616-007A INST.BOOK(SW),DVS3EU

5.2 FINAL ASSEMBLY <M2>

BEWARE OF BOGUS PARTS

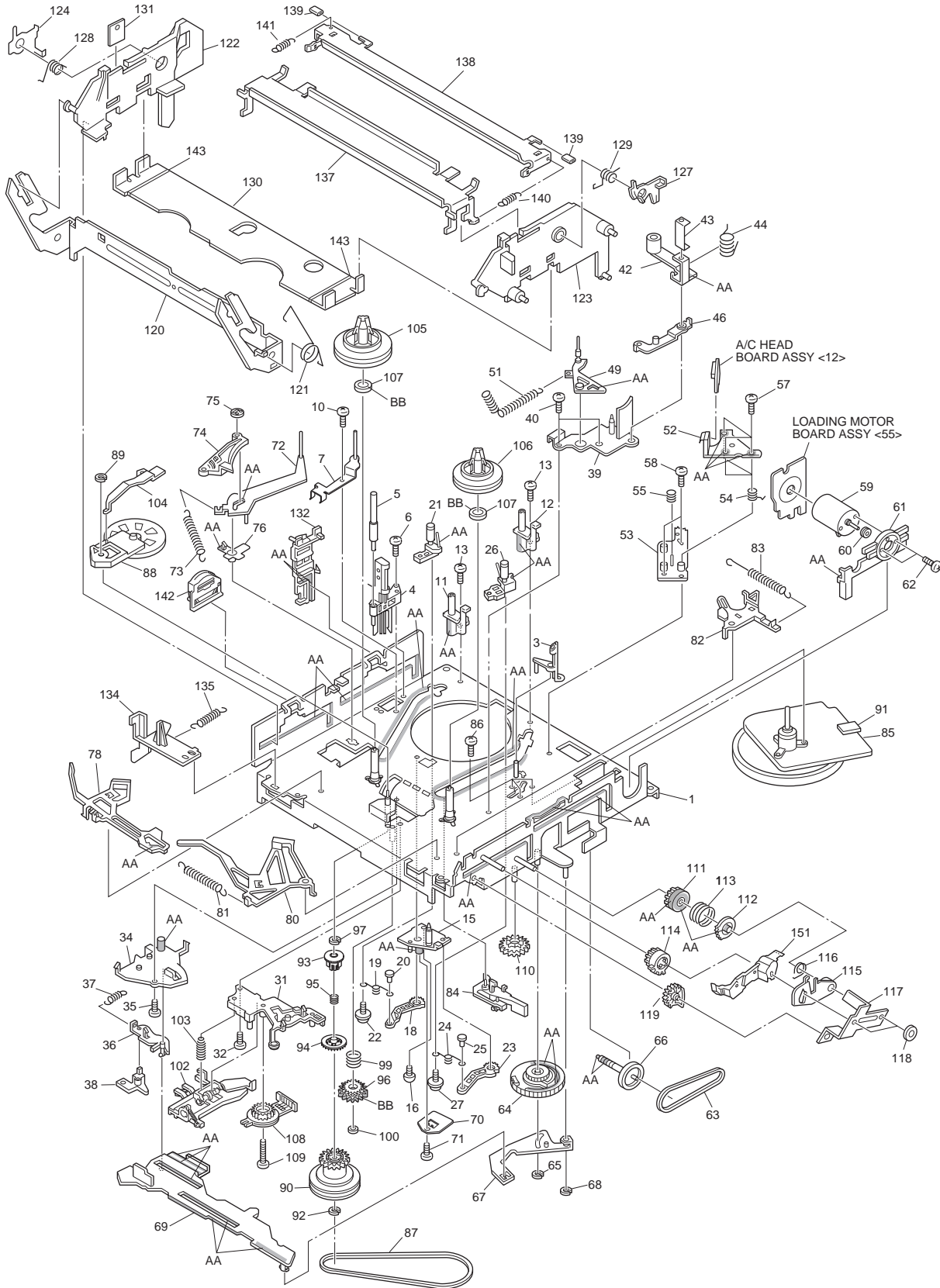
Parts that do not meet specifications may cause trouble in regard to safety and performance. We recommend that genuine JVC parts be used.



#	△	REF No.	PART No.	PART NAME, DESCRIPTION	#	△	REF No.	PART No.	PART NAME, DESCRIPTION

FINAL ASSEMBLY <M2>									
△		501	LP10409-001B	FRONT PANEL ASSY,DVS3EU			WR2	QUQ210-0820CC	FFC WIRE,DV MAIN,CN2601
△			LP10409-002B	FRONT PANEL ASSY,DVS3EK			WR3	QUQ212-0414CG	FFC WIRE,DV MAIN,CN3014
		501A	LP21070-001A	CASSETTE DOOR(VHS)			WR4	QUQ112-1428CG	FFC WIRE,DV MAIN,CN701
		501B	PQ46448	TORSION SPRING			WR5	QUQ112-1008CG	FFC WIRE,FRONT,CN7510
		501E	LP31048-001A	DOOR(R),DVS3EU			WR6	QUQ112-2008CG	FFC WIRE,FRONT,CN3011
			LP31048-002A	DOOR(R),DVS3EK			WR7	QUQ212-0516CG	FFC WIRE,DRUM,CN3001
		501F	LP30756-001A	CASSETTE DOOR(DV)			WR8	QUQ212-1028CG	FFC WIRE,SW REG,CN7508
		501G	LP40688-001A	SPRING(DV)			WR9	QUQ212-1238CG	FFC WIRE,SW REG,CN7509
		501H	LP31047-001A	DOOR(L)			WR10	QUQ105-2008AA	FFC WIRE,DV MDA,CN1501
		501J	PU60109	CATCHER,X2			WR11	QUQ212-0810CG	FFC WIRE,SW REG,CN1001
		501K	LP21071-001A	COVER			WR12	QJA002-051600	SIN ID C-C WIRE,CN5501
		501L	QYTDSF2608Z	SCREW,X2			WR7002	QUB220-05XLXL	SIN TWIST WIRE
△		502	LP10411-002A	TOP COVER					
		503	QYTDSF3010R	SCREW,X4, TOP COVER(SIDE)					
		504	QYTDSF3010M	SCREW,X2, TOP COVER(REAR)					
		505	LP20981-019A	DRUM SUB ASSY					
		505E	LP40323-001A	CONTACT					
		505F	LP30004-014A	COMPRESSION SPRING					
		506	PDZ0179-1-4	ROTOR ASSY					
		507	QYSPSP3006Z	SCREW,X2,ROTOR					
△		508	QAR0169-002	STATOR ASSY					
		509	QYSPSPH2606Z	SCREW,X2,STATOR					
		510	QYTDST2610Z	SCREW,X3,DRUM					
△		511	LP10412-001A	BOTTOM CHASSIS					
		513	LP21073-001A	BASE(DV)					
		515	QYTDST2606Z	SCREW,X3,DV MECHA					
		516	QYTDSF3010Z	SCREW,X4,BASE(DV)					
		527	PQ46617C	FOOT ASSY,X2					
		528	PQ35504	FOOT(2),X2(REAR)					
△		530	QMP4A10-170	POWER CORD,DVS3EU					
△			QMP51K0-170-K	POWER CORD,DVS3EK					
		531	QYTDSF4012Z	SCREW,X2,VHS MECHA					
		533	LP40226-001A	PC SUPPORT,X2					
		535	QYTDSF3010Z	SCREW,X2,VHS MECHA					
		539	QYTDSF3010Z	SCREW,VHS MAIN					
		542	QYTDST2606Z	SCREW,X4,DV MAIN					
		543	QYTDSF3010Z	SCREW,X3,SW REG					
		548	QAR0121-001	FAN MOTOR					
		549	LP40918-001A	SCREW,X2,FAN MOTOR					
		553	QYTDSF2608Z	SCREW,X8,SW/DISPLAY BOARD					
		554	QYTDSF3010Z	SCREW,X2,BRACKET(CHASSIS)					
		555	LP30312-001B	BRACKET(CHASSIS)					
		556	LP40407-001A	KNOB ASSY					
		557	LP40370-001E	ROLLER ARM ASSY					
		557A	PDM4311A-1	ROLLER ASSY					
		558	PQ45160	INERTIA PLATE					
		559	LP31095-001A	KNOB ASSY					
		562	QYTDSF2608Z	SCREW,X2,JOG BOARD					
		563	PU49485-4	WIRE CLAMP					
		564	QYTDSF3010Z	SCREW,WIRE CLAMP					
		565	QYTDSF2608Z	SCREW,X2,POWER SW BOARD					
		566	LP31072-001A	T.BOARD(FAN)					
△		567	QYTDSF3010Z	SCREW,SW REG					
		568	QYTDSF3010Z	SCREW					
△		569	LP10413-001A	BOTTOM COVER					
		570	PQ35504	FOOT(2)(CENTER)					
		WR1	WJT0005-001A	E-CARD WIRE,AC HEAD,CN2001					

5.3 MECHANISM ASSEMBLY [VHS] <M3>



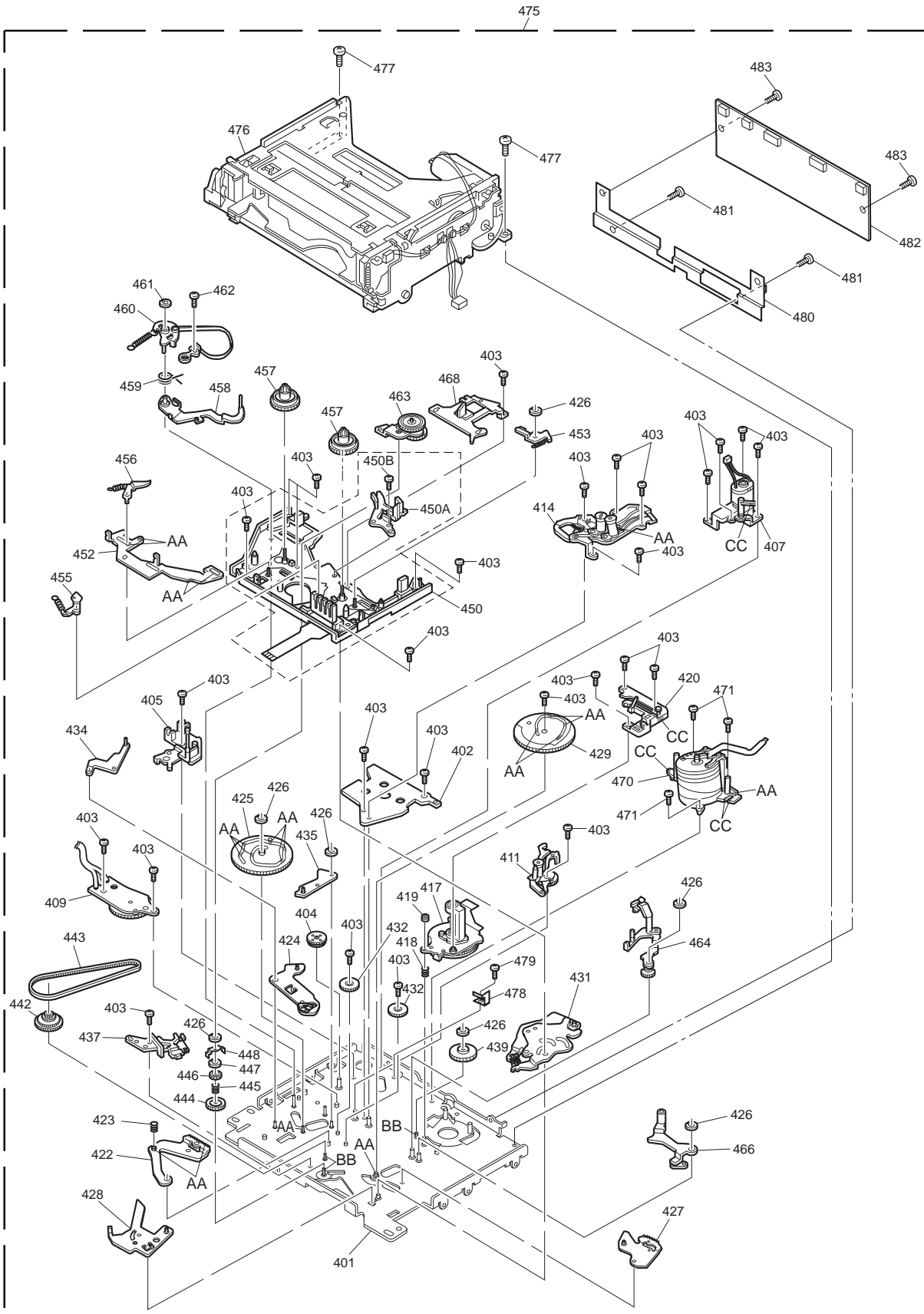
Classification	Part No.	Symbol in drawing
Grease	KYODO-SH-P	AA
Oil	COSMO-HV56	BB

NOTE:The section marked in **AA** and **BB** indicate lubrication and greasing areas.

#	△	REF No.	PART No.	PART NAME, DESCRIPTION	#	△	REF No.	PART No.	PART NAME, DESCRIPTION

MECHANISM ASSEMBLY(VHS) <M3>									
1			LP20821-009A	MAIN DECK ASSY	75			PQ46302-1-3	ADJUST PIN
3			LP30492-002B	GUIDE POLE GUARD	76			LP30232-002A	TENSION ARM BEARING
4			NAH0001-001	FULL ERASE HEAD	78			LP40532-008B	MAIN BRAKE ASSY (SUPPLY)
5			LP40701-001A	GUIDE POLE(SUPPLY)	80			LP40111-011A	MAIN BRAKE ASSY (TAKE UP)
6			QYTDST2608Z	SCREW,FE HEAD	81			LP30003-026A	TENSION SPRING
7			LP40637-002A	TENSION STUD BASE ASSY	82			LP40112-001F	SUB BRAKE ASSY(TAKE UP)
10			QYTDST2606Z	SCREW	83			LP40357-002A	TENSION SPRING
11			LP30409-002C	UV CATCHER 2 (SUPPLY)	84			LP40461-001A	CAPSTAN BRAKE ASSY
12			LP30409-002C	UV CATCHER 2 (TAKE UP)	85			QAR0087-005	CAPSTAN MOTOR
13			QYTPST2606Z	SCREW,X2	86			QYTDST2606M	SCREW,X3
15			LP30223-003C	LOADING ARM GEAR SHAFT	87			LP30005-007A	BELT,CAPSTAN MOTOR
16			QYTDST2606Z	SCREW	88			LP40114-011B	IDLER ARM ASSY
18			LP30224-001B	LOADING ARM GEAR(SUPPLY)	89			LP30016-001A	SLIT WASHER
19			LP40099-001A	TORSION ARM	90			LP40593-003C	CLUTCH UNIT 3
20			LP40100-001A	PIN	91			LP30002-097A	SPACER,CAPSTAN MOTOR
21			LP40101-006A	POLE BASE ASSY(SUPPLY)	92			PQM30017-47	SLIT WASHER
22			QYSPSTG2606Z	SCREW	93			LP30696-002A	CLUTCH GEAR 4
23			LP40103-002B	LOADING ARM GEAR(TAKE UP)	94			LP30697-003A	COUPLING GEAR
24			LP40099-001A	TORSION ARM	95			LP40554-002A	COMPRESSION SPRING
25			LP40100-002A	PIN	96			LP40442-001A	DIRECT GEAR
26			LP40104-006A	POLE BASE ASSY(TAKE UP)	97			LP30017-019A	SPACER,C.GEAR4
27			QYSPSTG2606Z	SCREW	99			LP40483-002A	COMPRESSION SPRING
31			LP20233-004B	ROTARY ENCODER GUIDE	100			LP30016-001A	SLIT WASHER,DIRECT GEAR
32			QYTPST2606Z	SCREW	101			LP30016-001A	SLIT WASHER,REEL DISK(SUPPLY)
34			LP30226-004E	CONTROL PLATE GUIDE	102			LP40484-001J	CHANGE LEVER ASSY
35			QYTPST2605Z	SCREW	103			LP40512-002B	COMPRESSION SPRING
36			LP30249-003B	TAKE UP LEVER	104			LP30236-002C	IDLER LEVER
37			LP30003-006A	TENSION SPRING	105			LP20237-004A	REEL DISK (SUPPLY)
38			LP40119-002A	TAKE UP HEAD	106			LP20238-004A	REEL DISK (TAKE UP)
39			LP20234-004B	LID GUIDE	107			LP30017-022A	SPACER,X2
40			QYTDST2606Z	SCREW,X2	108			QSW0554-003	ROTARY ENCODER
42			LP40105-003A	PINCH ROLLER ARM ASSY	109			QYTPST2620Z	SCREW
43			LP40753-001A	PINCH ROLLER SHEET3	110			LP30237-002B	CASSETTE GEAR
44			LP40148-002A	TORSION SPRING	111			LP30239-002G	LIMIT GEAR(1)
46			LP40149-001C	PRESS LEVER ASSY	112			LP30240-002G	LIMIT GEAR(2)
49			LP40106-007A	GUIDE ARM ASSY	113			LP40136-001E	TORSION SPRING
51			LP40134-002A	TENSION SPRING	114			LP30242-002B	RELAY GEAR
52			QAH0058-001	AC HEAD	115			LP30339-002F	OPENER GUIDE
53			LP30228-001C	HEAD BASE	116			LP40545-001A	TORSION SPRING
54			LP30004-013A	COMPRESSION SPRING,X3	117			LP40214-001B	C.H.BRACKET
55			LP40236-001A	COMPRESSION SPRING	118			PQM30017-47	SLIT WASHER,X2
57			LP40213-002B	SPECIAL SCREW,X3	119			LP30243-002A	DRIVE GEAR
58			QYTDST2608Z	SCREW,X2	120			LP20240-001G	DRIVE ARM
59			QAR0023-001	LOADING MOTOR	121			LP40137-001A	TORSION SPRING
60			PQ43546-1-2	MOTOR PULLEY	122			LP10081-002P	SIDE HOLDER(L)
61			LP30230-003D	MOTOR GUIDE	123			LP10082-002V	SIDE HOLDER(R)
62			QYTPSP3003Z	SCREW,X2	124			LP30255-006B	LOCK LEVER(L)
63			LP30005-003A	BELT,LOADING MOTOR	127			LP30256-001H	LOCK LEVER(R)
64			LP20791-002D	CONTROL CAM	128			LP40168-003A	TORSION SPRING(L)
65			PQM30017-24	SLIT WASHER	129			LP40218-001B	TORSION SPRING(R)
66			LP40120-001A	WORM GEAR	130			LP30257-001G	CASSETTE HOLDER
67			LP40107-002A	LINK LEVER ASSY	131			PQ40919-30	SPACER,EARTH PLATE
68			PQM30017-24	SLIT WASHER	132			LP30244-002G	GUIDE RAIL
69			LP10201-003G	CONTROL PLATE	134			LP30245-002F	REC SAFETY LEVER
70			LP40379-001B	CONTROL BRACKET(1)	135			LP30003-004A	TENSION SPRING
71			QYTDST2608M	SCREW	137			LP20578-001C	TOP GUIDE
72			LP40108-002A	TENSION ARM ASSY	138			LP30500-001C	HOLD PLATE
73			LP30003-010A	TENSION SPRING	139			LP40450-003A	PAD,X2
74			LP40109-003D	TENSION BRAKE ASSY	140			LP30003-025B	TENSION SPRING
					141			LP30003-024A	TENSION SPRING
					142			LP40481-003A	ROLLER CAM ASSY
					143			LP30019-014A	PAD,X2
					152			LP20324-003B	DOOR OPENER

5.3 MECHANISM ASSEMBLY [DV] <M4>



Classification	Part No.	Symbol in drawing
Grease	KYODO-SH-P	AA
Oil	COSMO-HV56	BB

NOTE:The section marked in **AA** and **BB** indicate lubrication and greasing areas.

#	△	REF No.	PART No.	PART NAME, DESCRIPTION	#	△	REF No.	PART No.	PART NAME, DESCRIPTION

MECHANISM ASSEMBLY(DV) <M4>									
401			PRD10428A	MAIN DECK ASSY	480			LL30210-001A-H	BRACKET(MDA)
402			LY30358-001A	DRUM BASE DECK	481			QYSDSP2002N	SCREW,X2
403			YQ43893	MINI SCREW,X27	482			LK2119A0A-H2	DV MDA BOARD ASSY
404			LY30343-001A	WORM WHEEL 2	483			QYSDST2605Z	SCREW,X2
405			LY40237-001C	ENT.GUIDE BASE ASSY					
407			LY30340-004A	MOTOR BRACKET ASSY					
409			LY41190-003A	ROTARY ENCODER ASSY					
411			YQ31873B-31	GUIDE RAIL ASSY(SUPPLY)					
414			LY20097-001C	GUIDE RAIL ASSY(TAKE UP)					
417			QAR0012-002	CAPSTAN MOTOR					
418			LY30002-003A	COMPRESSION SPRING					
419			LY41390-001A	ADJUST NUT					
420			LY30345-001A	MIDDELE CATCHER ASSY					
422			LY40223-001A	ARM GEAR 1 ASSY					
423			LY40224-001A	COLLAR					
424			LY40235-002B	CENTERRING ARM ASSY					
425			LY10060-003A	MAIN CAM					
426			YQ44246	SLIT WASHER,X7					
427			LY40279-001A	ARM GEAR 2 ASSY					
428			LY40228-001A	CLUCH LOCK LEVER ASSY					
429			LY20102-001A	SUB CAM					
431			LY30347-001A	CHARGE ARM ASSY					
432			YQ44560-1-2	CONNECT GEAR 2,X2					
434			LY40236-001A	TENSION CONTROL ARM ASSY					
435			LY40233-001A	BRAKE CONTROL ARM ASSY					
437			LY40242-001C	BASE PLATE ASSY					
439			YQ43931A	REEL DRIVE PULLEY ASSY					
442			LY40239-003A	CENTER GEAR ASSY					
443			LY40241-001A	TIMING BELT					
444			LY40246-001A	CLUTCH LOCK GEAR (1)					
445			LY30002-009A	COMPRESSION SPRING					
446			LY40247-001A	CLUTCH LOCK GEAR (2)					
447			YQ43933-2	WASHER					
448			LY40248-001A	PUSH PLATE					
450			PRD31443B	SUB DECK ASSY(G)					
450A			LY20108-001B	PRISM					
450B			YQ43893	MINI SCREW					
452			LY20109-001B	CONTROL PLATE					
453			LY40257-001A	SUB BRAKE ASSY					
455			LY40259-001A	MAIN BRAKE ASSY(TAKE UP)					
456			LY40260-003A	MAIN BRAKE ASSY(SUPPLY)					
457			LY40255-003A	REEL DISK ASSY,X2					
458			LY41245-001B	TENSION ARM SUB ASSY					
459			LY41243-001A	TORSION SPRING					
460			LY41246-003B	BAND ARM PLATE SUB ASSY					
461			PRD45316	SLIT WASHER					
462			YQ43893-7	MINI SCREW					
463			LY30370-002C	SWING ARM ASSY					
464			LY30380-001E	EXIT GUIDE ARM ASSY					
466			LY30374-001B	PINCH ROLLER ARM ASSY					
468			LY40280-003A	REEL COVER ASSY					
470			YDV2100A	DRUM ASSY					
471			YQ43893	MINI SCREW,X3					
475			LL30228-1A-H	DV MECHA UNIT					
476			LY30428-005A	CASSETTE HOUSING ASSY					
477			QYTDSP2004Z	SCREW,X2					
478			PRD45370	ASSIST GUIDE					
479			YQ43893	MINI SCREW					

5.4 ELECTRICAL PARTS LIST

#	△ REF No.	PART No.	PART NAME, DESCRIPTION

SW REGULATOR BOARD ASSEMBLY <01>			
PW1		LPA10153-01B	SW REG BOARD ASSY
IC5201		L5431	IC
		or MM1431AT	IC
		or UTCTL431	IC
IC5321		PQ15RW11	IC
Q5101		2SK2632-CB14	POWER MOS FET
		or 2SK2632	POWER MOS FET
		or 2SK2129	POWER MOS FET
		or 2SK2129-LT	POWER MOS FET
Q5102		2SD2144S/UV/-T	TRANSISTOR
Q5321		2SC5739/QP/	TRANSISTOR
Q5322		2SD1819A/RS/-X	TRANSISTOR
		or 2PC4081/R/-X	TRANSISTOR
		or 2SC4081/RS/-X	TRANSISTOR
Q5323		2SA933AS/RS/-T	TRANSISTOR
		or 2SA1267/YG/-T	TRANSISTOR
Q5324		DTC114EU	TRANSISTOR
		or PDTC114EU	TRANSISTOR
		or RN1302	TRANSISTOR
		or UN5211	TRANSISTOR
Q5326		2SD1858/QR/-T	TRANSISTOR
Q5327		2SD1819A/RS/-X	TRANSISTOR
		or 2PC4081/R/-X	TRANSISTOR
		or 2SC4081/RS/-X	TRANSISTOR
Q5328		2SD1302/ST/-T	TRANSISTOR
		or 2SD1450/ST/-T	TRANSISTOR
Q5329		DTA114EU	TRANSISTOR
		or PDTA114EU	TRANSISTOR
		or UN5111	TRANSISTOR
		or RN2302	TRANSISTOR
Q5331		2SB1068/KU/-T	TRANSISTOR
Q5332		DTC114EU	TRANSISTOR
		or PDTC114EU	TRANSISTOR
		or UN5211	TRANSISTOR
		or RN1302	TRANSISTOR
Q5335		2SA1576A/RS/-X	TRANSISTOR
Q5339		2SD2144S/UV/-T	TRANSISTOR
Q5340		DTA114EU	TRANSISTOR
		or PDTA114EU	TRANSISTOR
		or RN2302	TRANSISTOR
		or UN5111	TRANSISTOR
Q5341		DTC114EU	TRANSISTOR
		or RN1302	TRANSISTOR
		or UN5211	TRANSISTOR
		or PDTC114EU	TRANSISTOR
D5002		S1WB/A/60-4102	BRIDGE DIODE
		or S1WB/A/60-X	BRIDGE DIODE
		or S1WB(A)60F4072X	BRIDGE DIODE
D5101		AU01	DIODE
		or ERA18-04-T2	FR DIODE
		or 1SR153-400-T2	FR DIODE
		or 10ELS4	FR DIODE
D5102		AU01Z	FR DIODE
		or ERA18-02-T2	FR DIODE
		or 1SR153-400-T2	FR DIODE
		or 10ELS2	FR DIODE
D5103		1SS133	DIODE

#	△ REF No.	PART No.	PART NAME, DESCRIPTION
		or 1SS270A	DIODE
D5105		1SS133	DIODE
		or 1SS270A	DIODE
D5201		AU01Z	FR DIODE
		or 10ELS2	FR DIODE
D5202		MTZJ15C	ZENER DIODE
		or RD15ES/B3/-T2	ZENER DIODE
D5203		FMB-24	SB DIODE
		or FSQ05A04B	SB DIODE
		or SB640FCT	SB DIODE
		or SF5SC4	SB DIODE
		or YG801C04	SB DIODE
D5205		10ELS2	FR DIODE
		or AU01Z	FR DIODE
D5206		10ELS2	FR DIODE
		or AU01Z	FR DIODE
D5208		ERA18-02-T2	FR DIODE
		or PG104RS	FR DIODE
		or 10ELS2	FR DIODE
		or 1SR153-400-T2	FR DIODE
D5209		AU01Z	FR DIODE
		or ERA18-02-T2	FR DIODE
		or PG104RS	FR DIODE
		or 1SR153-400-T2	FR DIODE
		or 10ELS2	FR DIODE
D5210		AU01Z	FR DIODE
		or ERA18-02-T2	FR DIODE
		or PG104RS	FR DIODE
		or 1SR153-400-T2	FR DIODE
		or 10ELS2	FR DIODE
D5212		1SS133	DIODE
		or 1SS270A	DIODE
D5213		MTZJ27C	ZENER DIODE
		or RD27ES/B3/-T2	ZENER DIODE
D5214		MTZJ7.5A	ZENER DIODE
		or RD7.5ES/B1/-T2	ZENER DIODE
D5323		11ES2	DIODE
		or 1A3G	DIODE
		or ERA15-02-T2	DIODE
D5325		RD5.1JS/B2/-T2	ZENER DIODE
		or MA4051N/M/-T2	ZENER DIODE
D5326		1SS133	DIODE
		or 1SS270A	DIODE
D5327		RD5.1JS/B2/-T2	ZENER DIODE
		or MA4051N/M/-T2	ZENER DIODE
D5328		1SS133	DIODE
		or 1SS270A	DIODE
D5337		11ES2	DIODE
		or 1A3G	DIODE
		or ERA15-02-T2	DIODE
D5338		11ES2	DIODE
		or ERA15-02-T2	DIODE
		or 1A3G	DIODE
D5339		1SS133	DIODE
		or 1SS270A	DIODE
D5340		1SS133	DIODE
		or 1SS270A	DIODE
R5101		QRE141J-224Y	RESISTOR
			220kΩ, 1/4W
R5102		QRE141J-224Y	RESISTOR
			220kΩ, 1/4W
R5103		QRE141J-683Y	RESISTOR
			68kΩ, 1/4W
R5104		QRG02GJ-683	OMF RESISTOR
			68kΩ, 2W

#	△	REF No.	PART No.	PART NAME, DESCRIPTION		#	△	REF No.	PART No.	PART NAME, DESCRIPTION	
R5106			QRT01DJ-R39X	MF RESISTOR	0.39Ω,1W	C5208			QEMU1HM-186	E CAPACITOR	18μF,50V
R5107			QRE121J-331Y	RESISTOR	330Ω,1/2W	C5209			QETN1AM-107	E CAPACITOR	100μF,10V
R5108			NRSA02J-152X	MG RESISTOR	1.5kΩ,1/10W	C5210			QETN1CM-107	E CAPACITOR	100μF,16V
R5109			QRE141J-681Y	RESISTOR	680Ω,1/4W	C5211			QETN1AM-107	E CAPACITOR	100μF,10V
R5110			NRSA02J-224X	MG RESISTOR	220kΩ,1/10W	C5321			QETN1AM-107	E CAPACITOR	100μF,10V
R5111			NRSA02J-681X	MG RESISTOR	680Ω,1/10W	C5322			QETN1HM-225	E CAPACITOR	2.2μF,50V
R5112			NRSA02J-221X	MG RESISTOR	220Ω,1/10W	C5323			QETN1CM-107	E CAPACITOR	100μF,16V
R5201			NRSA02J-471X	MG RESISTOR	470Ω,1/10W	C5324			NCB21HK-102X	CAPACITOR	0.001μF,50V
R5202			NRSA02J-472X	MG RESISTOR	4.7kΩ,1/10W	C5325			NCB21HK-102X	CAPACITOR	0.001μF,50V
R5203			NRSA02J-102X	MG RESISTOR	1kΩ,1/10W	C5326			QETN1AM-107	E CAPACITOR	100μF,10V
R5204			NRVA02D-332X	CMF RESISTOR	3.3kΩ,1/10W	C5329			NCB21HK-103X	CAPACITOR	0.01μF,50V
R5205			NRVA02D-123X	CMF RESISTOR	12kΩ,1/10W	C5330			QETN1AM-107	E CAPACITOR	100μF,10V
R5206			NRVA02D-332X	CMF RESISTOR	3.3kΩ,1/10W	C5331			QETN1AM-107	E CAPACITOR	100μF,10V
R5207			QRE141J-3R3Y	RESISTOR	3.3Ω,1/4W	L5201			PELN1184	COIL	33μH
△ R5208			QRZ9005-221X	FUSI RESISTOR	220Ω,1/4W	L5202			QQR1169-001	COIL	
R5209			QRE121J-331Y	RESISTOR	330Ω,1/2W	L5203			PELN1184	COIL	33μH
R5210			NRSA02J-102X	MG RESISTOR	1kΩ,1/10W	K5101			QQR0678-001Z	FERRATE BEADS	
R5211			QRE121J-331Y	RESISTOR	330Ω,1/2W	K5102			QQR0678-001Z	FERRATE BEADS	
R5212			QRE121J-331Y	RESISTOR	330Ω,1/2W	△ PC5101			PC123F2	IC(PHOTO COUPLER)	
R5213			NRSA02J-473X	MG RESISTOR	47kΩ,1/10W	△ T5001			QQS0031-002	SW TRANSF	
R5321			NRSA02J-473X	MG RESISTOR	47kΩ,1/10W	HS1			LP40090-001A	HEAT SINK,Q5101	
R5322			NRSA02J-221X	MG RESISTOR	220Ω,1/10W	HS2			LP40090-001A	HEAT SINK,D5203	
R5323			NRSA02J-471X	MG RESISTOR	470Ω,1/10W	OT1			QYTDST3006Z	SCREW,Q5101	
R5324			NRSA02J-102X	MG RESISTOR	1kΩ,1/10W	OT2			QYTDST3006Z	SCREW,D5203	
R5325			NRSA02J-103X	MG RESISTOR	10kΩ,1/10W	FC5001			QNG0006-001Z	FUSE CLIP,F5001	
R5326			NRSA02J-221X	MG RESISTOR	220Ω,1/10W	FC5002			QNG0006-001Z	FUSE CLIP,F5001	
R5327			NRSA02J-471X	MG RESISTOR	470Ω,1/10W	△ LF5001			PELN1204-01-01	LINE FILTER	
R5328			NRSA02J-102X	MG RESISTOR	1kΩ,1/10W	△ LF5002			QQR1031-001	LINE FILTER	
R5329			NRSA02J-103X	MG RESISTOR	10kΩ,1/10W	△ CN5001			QGA7901C3-02	CONNECTOR,(1-2)AC IN	
R5330			NRSA02J-471X	MG RESISTOR	470Ω,1/10W	CN5321			QGF1208C1-12	FPC CONNECTOR,(1-12)VHS MAIN	
R5331			NRSA02J-102X	MG RESISTOR	1kΩ,1/10W	CN5322			QGF1208C1-10	FPC CONNECTOR,(1-10)VHS MAIN	
R5332			NRSA02J-103X	MG RESISTOR	10kΩ,1/10W	CN5323			QGF1208C1-08	FPC CONNECTOR,(1-8)VHS MAIN	
R5333			NRSA02J-102X	MG RESISTOR	1kΩ,1/10W	CN5324			QGA2001C1-05	CONNECTOR,(1-5)MDA	
R5336			NRVA02D-472X	CMF RESISTOR	4.7kΩ,1/10W	CN5325			QGA2001C1-02	CONNECTOR,(1-2)FAN	
R5337			NRVA02D-102X	CMF RESISTOR	1kΩ,1/10W	△ CP5321			NMFZ012-1R0X-M	FUSE	T1.0A,50V
R5338			NRSA02J-103X	MG RESISTOR	10kΩ,1/10W	△ CP5322			NMFZ012-1R0X-M	FUSE	T1.0A,50V
R5340			QRL01DJ-820X	OMF RESISTOR	82Ω,1W	△ CP5325			NMFZ012-1R0X-M	FUSE	T1.0A,50V
R5341			NRSA02J-102X	MG RESISTOR	1kΩ,1/10W	△ F5001			QMF51E2-2R0J1	FUSE	T2.0A,AC250V
R5342			NRSA02J-122X	MG RESISTOR	1.2kΩ,1/10W						
R5343			NRSA02J-222X	MG RESISTOR	2.2kΩ,1/10W						
R5344			NRSA02J-102X	MG RESISTOR	1kΩ,1/10W						
R5348			NRSA02J-273X	MG RESISTOR	27kΩ,1/10W						
R5349			QRE141J-273Y	RESISTOR	27kΩ,1/4W						
B5302			NRSA02J-0R0X	MG RESISTOR	0Ω,1/10W						
△ C5001			QFZ9073-683	F CAPACITOR	0.068μF,250V						
△ C5002			QFZ9051-333	F CAPACITOR	0.033μF,250V						
△ C5004			QCZ9071-222	CAPACITOR	0.0022μF,250V						
C5006			QEZ0374-826	E CAPACITOR	82μF,400V	PW1			LPA10149-01B	MAIN BOARD ASSY,DVS3EU	
C5101			QCZ0212-472	CAPACITOR	0.0047μF,1kV				LPA10149-02B	MAIN BOARD ASSY,DVS3EK	
C5102			QCZ0302-330Z	CAPACITOR	33pF,1kV	IC1			JCP8050-MSA	IC	
C5104			QETN1HM-105	E CAPACITOR	1μF,50V	IC201			LC74775-9750	IC	
C5105			QFN31HJ-183	F CAPACITOR	0.018μF,50V	IC601			VC2076DP	IC	
C5106			QCBB1HJ-271	CAPACITOR	270pF,50V	IC701			MM1501XN	IC	
C5107			QFV91HJ-104	F CAPACITOR	0.1μF,50V	IC702			MM1503XN	IC	
C5201			QFV91HJ-154	F CAPACITOR	0.15μF,50V	IC703			MM1503XN	IC	
C5202			NCB21HK-103X	CAPACITOR	0.01μF,50V	IC704			MM1504XN	IC	
C5203			QEMU0JM-227	E CAPACITOR	220μF,6.3V	IC705			MM1111XF	IC	
C5204			QEMT1AM-278	E CAPACITOR	2700μF,10V	IC706			MM1115XF	IC	
C5205			QEMT1CM-827	E CAPACITOR	820μF,16V	IC2601			BA15218F-XE	IC	
C5206			QEMU1EM-187	E CAPACITOR	180μF,25V	IC2602			BU4052BCF	IC	
C5207			QETN2AM-475	E CAPACITOR	4.7μF,100V	IC2603			BA15218F-XE	IC	
						IC2604			BU4052BCF	IC	

MAIN BOARD ASSEMBLY <03>

#	△ REF No.	PART No.	PART NAME, DESCRIPTION
	IC2605	BA15218F-XE	IC
	IC2606	BU4052BCF	IC
	IC3001	HD6432194SBD26F	IC
		or HD64F2194CFD26	IC, DVS3EU
	IC3002	S-80727AN-DQ-X	IC
		or S-80827ANUP-W	IC
		or R3111H271A	IC
	IC3003	AT24C16N-10SC-X	IC
		or BR24C16F	IC
		or X24165S	IC
		or 24LC16B/SN-X	IC
	IC3004	BA6956AN	IC
	IC3601	BU2090FS	IC
	IC3651	BU2090FS	IC
	Q5	2SB1218A/QR/-X	TRANSISTOR
		or 2PA1576/R/-X	TRANSISTOR
		or 2SA1576A/QR/-X	TRANSISTOR
	Q7	2SD1819A/QRS/-X	TRANSISTOR
		or 2PC4081/R/-X	TRANSISTOR
		or 2SC4081/QRS/-X	TRANSISTOR
	Q8	2SD1819A/QRS/-X	TRANSISTOR
		or 2SC4081/QRS/-X	TRANSISTOR
		or 2PC4081/R/-X	TRANSISTOR
	Q9	2SB1218A/QR/-X	TRANSISTOR
		or 2PA1576/R/-X	TRANSISTOR
		or 2SA1576A/QR/-X	TRANSISTOR
	Q10	2SA1576A/QR/-X	TRANSISTOR
	Q17	DTC144WU	TRANSISTOR
		or PDTC144WU	TRANSISTOR
		or RN1309	TRANSISTOR
		or UN521E	TRANSISTOR
	Q21	2SB1218A/QR/-X	TRANSISTOR
		or 2PA1576/R/-X	TRANSISTOR
		or 2SA1576A/QR/-X	TRANSISTOR
	Q24	2SB1218A/QR/-X	TRANSISTOR
		or 2SA1576A/QR/-X	TRANSISTOR
		or 2PA1576/R/-X	TRANSISTOR
	Q25	DTC144WU	TRANSISTOR
		or PDTC144WU	TRANSISTOR
		or RN1309	TRANSISTOR
		or UN521E	TRANSISTOR
	Q38	2SD1819A/QRS/-X	TRANSISTOR
		or 2PC4081/R/-X	TRANSISTOR
		or 2SC4081/QRS/-X	TRANSISTOR
	Q41	DTC144WU	TRANSISTOR,DVS3EU
		or RN1309	TRANSISTOR,DVS3EU
		or UN521E	TRANSISTOR,DVS3EU
		or PDTC144WU	TRANSISTOR,DVS3EU
	Q401	2SA1576A/QR/-X	TRANSISTOR
	Q402	2SA1576A/QR/-X	TRANSISTOR
	Q403	DTC144WU	TRANSISTOR
		or PDTC144WU	TRANSISTOR
		or UN521E	TRANSISTOR
		or RN1309	TRANSISTOR
	Q405	2SA1576A/QR/-X	TRANSISTOR
	Q701	2SA1576A/QR/-X	TRANSISTOR
		or 2SB1218A/QR/-X	TRANSISTOR
		or 2PA1576/R/-X	TRANSISTOR
	Q702	2SA1576A/QR/-X	TRANSISTOR
		or 2PA1576/R/-X	TRANSISTOR
		or 2SB1218A/QR/-X	TRANSISTOR

#	△ REF No.	PART No.	PART NAME, DESCRIPTION
	Q703	2SC4081/QRS/-X	TRANSISTOR
		or 2SD1819A/QRS/-X	TRANSISTOR
		or 2PC4081/R/-X	TRANSISTOR
	Q704	2SA1576A/QR/-X	TRANSISTOR
		or 2PA1576/R/-X	TRANSISTOR
		or 2SB1218A/QR/-X	TRANSISTOR
	Q705	2SC4081/QRS/-X	TRANSISTOR
		or 2SD1819A/QRS/-X	TRANSISTOR
		or 2PC4081/R/-X	TRANSISTOR
	Q706	2SA1576A/QR/-X	TRANSISTOR
		or 2PA1576/R/-X	TRANSISTOR
		or 2SB1218A/QR/-X	TRANSISTOR
	Q707	2SC4081/QRS/-X	TRANSISTOR
		or 2SD1819A/QRS/-X	TRANSISTOR
		or 2PC4081/R/-X	TRANSISTOR
	Q708	2SA1576A/QR/-X	TRANSISTOR
		or 2PA1576/R/-X	TRANSISTOR
		or 2SB1218A/QR/-X	TRANSISTOR
	Q709	2SC4081/QRS/-X	TRANSISTOR
		or 2SD1819A/QRS/-X	TRANSISTOR
		or 2PC4081/R/-X	TRANSISTOR
	Q712	2SC3938/QR/-X	TRANSISTOR
	Q713	2SC3938/QR/-X	TRANSISTOR
	Q714	2SC4081/QRS/-X	TRANSISTOR
		or 2PC4081/R/-X	TRANSISTOR
		or 2SD1819A/QRS/-X	TRANSISTOR
	Q715	2SA1576A/QR/-X	TRANSISTOR
		or 2SB1218A/QR/-X	TRANSISTOR
		or 2PA1576/R/-X	TRANSISTOR
	Q717	DTA144WU	TRANSISTOR
		or PDTA144WU	TRANSISTOR
		or RN2309	TRANSISTOR
		or UN511E	TRANSISTOR
	Q718	2SA1576A/QR/-X	TRANSISTOR
		or 2SB1218A/QR/-X	TRANSISTOR
		or 2PA1576/R/-X	TRANSISTOR
	Q719	DTC144WU	TRANSISTOR
		or PDTC144WU	TRANSISTOR
		or UN521E	TRANSISTOR
		or RN1309	TRANSISTOR
	Q720	DTC144WU	TRANSISTOR
		or PDTC144WU	TRANSISTOR
		or RN1309	TRANSISTOR
		or UN521E	TRANSISTOR
	Q721	2SC3938/QR/-X	TRANSISTOR
	Q722	2SC3938/QR/-X	TRANSISTOR
	Q723	2SC4081/QRS/-X	TRANSISTOR
		or 2SD1819A/QRS/-X	TRANSISTOR
		or 2PC4081/R/-X	TRANSISTOR
	Q2001	2SC4081/QRS/-X	TRANSISTOR
		or 2PC4081/R/-X	TRANSISTOR
		or 2SD1819A/QRS/-X	TRANSISTOR
	Q2002	2SC4081/QRS/-X	TRANSISTOR
		or 2SD1819A/QRS/-X	TRANSISTOR
		or 2PC4081/R/-X	TRANSISTOR
	Q2003	DTA144WU	TRANSISTOR
		or PDTA144WU	TRANSISTOR
		or RN2309	TRANSISTOR
		or UN511E	TRANSISTOR
	Q2006	DTC144WU	TRANSISTOR
		or PDTC144WU	TRANSISTOR

#	△	REF No.	PART No.	PART NAME, DESCRIPTION	#	△	REF No.	PART No.	PART NAME, DESCRIPTION
			or UN521E	TRANSISTOR	Q3011		UN521E	TRANSISTOR	
			or RN1309	TRANSISTOR			or PDTC144WU	TRANSISTOR	
Q2051			2SC4081/QRS/-X	TRANSISTOR			or RN1309	TRANSISTOR	
			or 2SD1819A/QRS/-X	TRANSISTOR			or DTC144WU	TRANSISTOR	
			or 2PC4081/R/-X	TRANSISTOR	Q4001		UN5211	TRANSISTOR	
Q2052			2SA1576A/QR/-X	TRANSISTOR			or RN1302	TRANSISTOR	
			or 2PA1576/R/-X	TRANSISTOR			or DTC114EU	TRANSISTOR	
			or 2SB1218A/QR/-X	TRANSISTOR			or PDTC114EU	TRANSISTOR	
Q2053			DTC144WU	TRANSISTOR	Q5401		2SB1256	TRANSISTOR	
			or PDTC144WU	TRANSISTOR	Q5402		DTC114TU	TRANSISTOR	
			or RN1309	TRANSISTOR			or PDTC114TU	TRANSISTOR	
			or UN521E	TRANSISTOR			or RN1311	TRANSISTOR	
Q2054			2SA1576A/QR/-X	TRANSISTOR			or UN5215	TRANSISTOR	
			or 2SB1218A/QR/-X	TRANSISTOR	Q5403		2SD1450/ST/-T	TRANSISTOR	
			or 2PA1576/R/-X	TRANSISTOR			or 2SD1302/ST/-T	TRANSISTOR	
Q2061			2SC4081/QRS/-X	TRANSISTOR	Q5404		2SD2144S/UV/-T	TRANSISTOR	
			or 2PC4081/R/-X	TRANSISTOR	Q6030		2SB1218A/QR/-X	TRANSISTOR	
			or 2SD1819A/QRS/-X	TRANSISTOR			or 2PA1576/R/-X	TRANSISTOR	
Q2062			2SA1576A/QR/-X	TRANSISTOR			or 2SA1576A/QR/-X	TRANSISTOR	
			or 2SB1218A/QR/-X	TRANSISTOR	Q6031		DTC114EU	TRANSISTOR	
			or 2PA1576/R/-X	TRANSISTOR			or PDTC114EU	TRANSISTOR	
Q2251			DTA144WU	TRANSISTOR			or UN5211	TRANSISTOR	
			or PDA144WU	TRANSISTOR			or RN1302	TRANSISTOR	
			or RN2309	TRANSISTOR	Q6032		DTC114EU	TRANSISTOR	
			or UN511E	TRANSISTOR			or RN1302	TRANSISTOR	
Q2252			DTC114EU	TRANSISTOR			or UN5211	TRANSISTOR	
			or PDTC114EU	TRANSISTOR			or PDTC114EU	TRANSISTOR	
			or RN1302	TRANSISTOR	Q7501		DTC144WU	TRANSISTOR	
			or UN5211	TRANSISTOR			or PDTC144WU	TRANSISTOR	
Q2601			DTC114EU	TRANSISTOR			or UN521E	TRANSISTOR	
			or PDTC114EU	TRANSISTOR			or RN1309	TRANSISTOR	
			or RN1302	TRANSISTOR	Q7502		2SC1317/RS/-T	TRANSISTOR	
			or UN5211	TRANSISTOR	D1		DA204U	DIODE	
Q2602			DTC114EU	TRANSISTOR	D6		MTZJ5.1C	ZENER DIODE	
			or PDTC114EU	TRANSISTOR	D202		QRE141J-152Y	RESISTOR	1.5kΩ,1/4W
			or RN1302	TRANSISTOR	D203		QRE141J-101Y	RESISTOR	100Ω,1/4W
			or UN5211	TRANSISTOR	D204		QRE141J-101Y	RESISTOR	100Ω,1/4W
Q3001			2SD1819A/QRS/-X	TRANSISTOR	D701		DA204U	DIODE	
			or 2PC4081/R/-X	TRANSISTOR	D2001		1SS133	DIODE	
			or 2SC4081/QRS/-X	TRANSISTOR			or 1N4148M	DIODE	
Q3002			PTZ-NV16	PHOTO TRANSISTOR	D2202		MTZJ8.2C	ZENER DIODE	
			or PTZ-NV16A	PHOTO TRANSISTOR	D3001		LNB2301L01VI	LE DIODE	
Q3003			PTZ-NV16	PHOTO TRANSISTOR	D3002		1SS133	DIODE	
			or PTZ-NV16A	PHOTO TRANSISTOR			or 1N4148M	DIODE	
Q3004			2SD1819A/QRS/-X	TRANSISTOR	D3003		RD39ES/B3/-T2	ZENER DIODE	
			or 2SC4081/QRS/-X	TRANSISTOR			or MTZJ39C	ZENER DIODE	
			or 2PC4081/R/-X	TRANSISTOR	D3004		11ES2	DIODE	
Q3005			2SD1819A/QRS/-X	TRANSISTOR			or 1A3G	DIODE	
			or 2PC4081/R/-X	TRANSISTOR	D3005		11ES2	DIODE	
			or 2SC4081/QRS/-X	TRANSISTOR			or 1A3G	DIODE	
Q3007			UN521E	TRANSISTOR	D3007		1SS355	DIODE	
			or RN1309	TRANSISTOR	D3008		1SS355	DIODE	
			or DTC144WU	TRANSISTOR	D4001		NRSA02J-0R0X	MG RESISTOR	0Ω,1/10W
			or PDTC144WU	TRANSISTOR	D4002		NRSA02J-0R0X	MG RESISTOR	0Ω,1/10W
Q3009			UN521E	TRANSISTOR	D5401		11ES2	DIODE	
			or PDTC144WU	TRANSISTOR			or 1A3G	DIODE	
			or DTC144WU	TRANSISTOR			or ERA15-02-T2	DIODE	
			or RN1309	TRANSISTOR	D5402		MTZJ11C	ZENER DIODE	
Q3010			UN521E	TRANSISTOR			or RD11ES/B3/-T2	ZENER DIODE	
			or PDTC144WU	TRANSISTOR	D6002		HZ30-2L-T2	ZENER DIODE	
			or DTC144WU	TRANSISTOR			or HZ30-2LTD	Z DIODE (M)	
			or RN1309	TRANSISTOR					

#	△ REF No.	PART No.	PART NAME, DESCRIPTION		#	△ REF No.	PART No.	PART NAME, DESCRIPTION	
R1		NRVA02D-682X	CMF RESISTOR	6.8kΩ,1/10W	R608		NRSA02J-162X	MG RESISTOR	1.6kΩ,1/10W
R2		NRVA02D-152X	CMF RESISTOR	1.5kΩ,1/10W	R609		NRSA02J-391X	MG RESISTOR	390Ω,1/10W
R3		NRSA02J-182X	MG RESISTOR	1.8kΩ,1/10W	R610		NRSA02J-122X	MG RESISTOR	1.2kΩ,1/10W
R4		NRSA02J-0R0X	MG RESISTOR	0Ω,1/10W	R611		NRSA02J-392X	MG RESISTOR	3.9kΩ,1/10W
R5		NRSA02J-0R0X	MG RESISTOR	0Ω,1/10W	R612		NRSA02J-332X	MG RESISTOR	3.3kΩ,1/10W
R6		NRSA02J-273X	MG RESISTOR	27kΩ,1/10W	R701		NRSA02J-471X	MG RESISTOR	470Ω,1/10W
R7		NRSA02J-681X	MG RESISTOR	680Ω,1/10W	R702		NRSA02J-471X	MG RESISTOR	470Ω,1/10W
R8		NRSA02J-0R0X	MG RESISTOR	0Ω,1/10W	R703		NRSA02J-471X	MG RESISTOR	470Ω,1/10W
R9		NRSA02J-0R0X	MG RESISTOR	0Ω,1/10W	R704		NRSA02J-561X	MG RESISTOR	560Ω,1/10W
R23		NRSA02J-182X	MG RESISTOR	1.8kΩ,1/10W	R705		NRSA02J-102X	MG RESISTOR	1kΩ,1/10W
R25		NRSA02J-103X	MG RESISTOR	10kΩ,1/10W	R706		NRSA02J-681X	MG RESISTOR	680Ω,1/10W
R26		NRSA02J-682X	MG RESISTOR	6.8kΩ,1/10W	R707		NRSA02J-331X	MG RESISTOR	330Ω,1/10W
R27		NRSA02J-221X	MG RESISTOR	220Ω,1/10W	R708		NRSA02J-102X	MG RESISTOR	1kΩ,1/10W
R28		NRSA02J-221X	MG RESISTOR	220Ω,1/10W	R709		NRSA02J-561X	MG RESISTOR	560Ω,1/10W
R29		NRSA02J-561X	MG RESISTOR	560Ω,1/10W	R710		NRSA02J-561X	MG RESISTOR	560Ω,1/10W
R31		NRSA02J-152X	MG RESISTOR	1.5kΩ,1/10W	R711		NRSA02J-102X	MG RESISTOR	1kΩ,1/10W
R32		NRSA02J-471X	MG RESISTOR	470Ω,1/10W	R712		NRSA02J-561X	MG RESISTOR	560Ω,1/10W
R33		NRSA02J-153X	MG RESISTOR	15kΩ,1/10W	R713		NRSA02J-561X	MG RESISTOR	560Ω,1/10W
R36		NRSA02J-182X	MG RESISTOR	1.8kΩ,1/10W	R714		NRSA02J-102X	MG RESISTOR	1kΩ,1/10W
R38		NRSA02J-102X	MG RESISTOR	1kΩ,1/10W	R715		NRSA02J-0R0X	MG RESISTOR	0Ω,1/10W
R40		NRSA02J-222X	MG RESISTOR	2.2kΩ,1/10W	R716		NRSA02J-392X	MG RESISTOR	3.9kΩ,1/10W
R41		NRSA02J-392X	MG RESISTOR	3.9kΩ,1/10W	R717		NRSA02J-562X	MG RESISTOR	5.6kΩ,1/10W
R42		NRSA02J-681X	MG RESISTOR	680Ω,1/10W	R718		NRSA02J-152X	MG RESISTOR	1.5kΩ,1/10W
R46		NRSA02J-331X	MG RESISTOR	330Ω,1/10W	R719		NRSA02J-271X	MG RESISTOR	270Ω,1/10W
R48		NRSA02J-102X	MG RESISTOR	1kΩ,1/10W	R720		NRSA02J-152X	MG RESISTOR	1.5kΩ,1/10W
R51		NRSA02J-122X	MG RESISTOR	1.2kΩ,1/10W	R721		NRSA02J-102X	MG RESISTOR	1kΩ,1/10W
R70		NRSA02J-0R0X	MG RESISTOR	0Ω,1/10W	R722		NRSA02J-471X	MG RESISTOR	470Ω,1/10W
R77		NRSA02J-223X	MG RESISTOR	22kΩ,1/10W	R723		NRSA02J-471X	MG RESISTOR	470Ω,1/10W
R88		NRSA02J-0R0X	MG RESISTOR	0Ω,1/10W	R726		NRSA02J-102X	MG RESISTOR	1kΩ,1/10W
R90		NRSA02J-391X	MG RESISTOR	390Ω,1/10W	R727		NRSA02J-331X	MG RESISTOR	330Ω,1/10W
R92		NRSA02J-152X	MG RESISTOR	1.5kΩ,1/10W	R728		NRSA02J-103X	MG RESISTOR	10kΩ,1/10W
R93		NRSA02J-222X	MG RESISTOR	2.2kΩ,1/10W	R729		NRSA02J-821X	MG RESISTOR	820Ω,1/10W
R104		NRSA02J-682X	MG RESISTOR	6.8kΩ,1/10W	R730		NRSA02J-102X	MG RESISTOR	1kΩ,1/10W
R113		NRSA02J-0R0X	MG RESISTOR	0Ω,1/10W	R731		NRSA02J-392X	MG RESISTOR	3.9kΩ,1/10W
R117		NRSA02J-104X	MG RESISTOR	100kΩ,1/10W	R732		NRSA02J-472X	MG RESISTOR	4.7kΩ,1/10W
R206		NRSA02J-103X	MG RESISTOR	10kΩ,1/10W	R733		NRSA02J-152X	MG RESISTOR	1.5kΩ,1/10W
R207		NRSA02J-0R0X	MG RESISTOR	0Ω,1/10W	R734		NRSA02J-271X	MG RESISTOR	270Ω,1/10W
R211		NRSA02J-0R0X	MG RESISTOR	0Ω,1/10W	R735		NRSA02J-152X	MG RESISTOR	1.5kΩ,1/10W
R212		NRSA02J-103X	MG RESISTOR	10kΩ,1/10W	R736		NRSA02J-102X	MG RESISTOR	1kΩ,1/10W
R213		NRSA02J-103X	MG RESISTOR	10kΩ,1/10W	R737		NRSA02J-105X	MG RESISTOR	1MΩ,1/10W
R216		NRSA02J-0R0X	MG RESISTOR	0Ω,1/10W	R738		NRSA02J-105X	MG RESISTOR	1MΩ,1/10W
R217		NRSA02J-102X	MG RESISTOR	1kΩ,1/10W	R739		NRSA02J-102X	MG RESISTOR	1kΩ,1/10W
R218		NRSA02J-222X	MG RESISTOR	2.2kΩ,1/10W	VR701		QVP0039-102Z	TRIM RESISTOR,DV AGC	
R219		NRSA02J-512X	MG RESISTOR	5.1kΩ,1/10W	R2003		NRSA02J-101X	MG RESISTOR	100Ω,1/10W
R220		NRSA02J-182X	MG RESISTOR	1.8kΩ,1/10W	R2004		NRSA02J-332X	MG RESISTOR	3.3kΩ,1/10W
R221		NRSA02J-562X	MG RESISTOR	5.6kΩ,1/10W	R2005		NRSA02J-393X	MG RESISTOR	39kΩ,1/10W
R401		NRSA02J-221X	MG RESISTOR	220Ω,1/10W	R2006		NRSA02J-393X	MG RESISTOR	39kΩ,1/10W
R402		NRSA02J-681X	MG RESISTOR	680Ω,1/10W	R2007		NRSA02J-393X	MG RESISTOR	39kΩ,1/10W
R403		NRSA02J-561X	MG RESISTOR	560Ω,1/10W	R2008		NRSA02J-123X	MG RESISTOR	12kΩ,1/10W
R404		NRSA02J-473X	MG RESISTOR	47kΩ,1/10W	R2009		NRSA02J-123X	MG RESISTOR	12kΩ,1/10W
R405		NRSA02J-683X	MG RESISTOR	68kΩ,1/10W	R2010		NRSA02J-123X	MG RESISTOR	12kΩ,1/10W
R406		NRSA02J-393X	MG RESISTOR	39kΩ,1/10W	R2011		NRSA02J-103X	MG RESISTOR	10kΩ,1/10W
R407		NRSA02J-472X	MG RESISTOR	4.7kΩ,1/10W	R2013		NRSA02J-682X	MG RESISTOR	6.8kΩ,1/10W
R408		NRSA02J-473X	MG RESISTOR	47kΩ,1/10W	R2014		NRSA02J-224X	MG RESISTOR	220kΩ,1/10W
R601		NRVA02D-332X	CMF RESISTOR	3.3kΩ,1/10W	R2015		NRSA02J-181X	MG RESISTOR	180Ω,1/10W
R602		NRVA02D-332X	CMF RESISTOR	3.3kΩ,1/10W	R2016		NRSA02J-393X	MG RESISTOR	39kΩ,1/10W
R603		NRVA02D-152X	CMF RESISTOR	1.5kΩ,1/10W	R2017		NRSA02J-153X	MG RESISTOR	15kΩ,1/10W
R604		NRVA02D-471X	CMF RESISTOR	470Ω,1/10W	R2018		NRSA02J-472X	MG RESISTOR	4.7kΩ,1/10W
R605		NRVA02D-102X	CMF RESISTOR	1kΩ,1/10W	R2019		NRSA02J-472X	MG RESISTOR	4.7kΩ,1/10W
R606		NRVA02D-102X	CMF RESISTOR	1kΩ,1/10W	R2022		NRSA02J-102X	MG RESISTOR	1kΩ,1/10W
R607		NRSA02J-151X	MG RESISTOR	150Ω,1/10W	R2053		NRSA02J-332X	MG RESISTOR	3.3kΩ,1/10W

#	△	REF No.	PART No.	PART NAME, DESCRIPTION	#	△	REF No.	PART No.	PART NAME, DESCRIPTION
R2054			NRSA02J-153X	MG RESISTOR	R2628			NRSA02J-0R0X	MG RESISTOR
R2055			NRSA02J-3R3X	MG RESISTOR	R2629			NRSA02J-0R0X	MG RESISTOR
R2056			NRSA02J-101X	MG RESISTOR	R2630			NRSA02J-103X	MG RESISTOR
R2057			NRSA02J-473X	MG RESISTOR	R2631			NRSA02J-103X	MG RESISTOR
R2058			NRSA02J-183X	MG RESISTOR	R2632			NRSA02J-101X	MG RESISTOR
R2059			NRSA02J-473X	MG RESISTOR	R2633			NRSA02J-101X	MG RESISTOR
R2060			NRSA02J-183X	MG RESISTOR	R2634			NRSA02J-102X	MG RESISTOR
R2061			NRSA02J-273X	MG RESISTOR	R2635			NRSA02J-473X	MG RESISTOR
R2062			NRSA02J-3R3X	MG RESISTOR	R2636			NRSA02J-473X	MG RESISTOR
R2063			NRSA02J-151X	MG RESISTOR	R2637			NRSA02J-473X	MG RESISTOR
R2064			NRSA02J-473X	MG RESISTOR	R2638			NRSA02J-473X	MG RESISTOR
R2065			NRSA02J-183X	MG RESISTOR	R3011			NRSA02J-0R0X	MG RESISTOR
R2201			QRE141J-151Y	RESISTOR	R3012			NRSA02J-0R0X	MG RESISTOR
R2206			NRSA02J-101X	MG RESISTOR	R3013			NRSA02J-0R0X	MG RESISTOR
R2207			NRSA02J-332X	MG RESISTOR	R3017			NRSA02J-0R0X	MG RESISTOR
R2208			NRSA02J-101X	MG RESISTOR	R3019			NRSA02J-682X	MG RESISTOR
R2209			NRSA02J-101X	MG RESISTOR	R3022			NRSA02J-0R0X	MG RESISTOR
R2210			NRSA02J-103X	MG RESISTOR	R3025			NRSA02J-0R0X	MG RESISTOR
R2211			NRSA02J-103X	MG RESISTOR	R3026			NRSA02J-0R0X	MG RESISTOR
R2213			NRSA02J-393X	MG RESISTOR	R3027			NRSA02J-0R0X	MG RESISTOR
R2215			NRSA02J-153X	MG RESISTOR	R3029			NRSA02J-472X	MG RESISTOR
R2217			NRSA02J-393X	MG RESISTOR	R3030			NRSA02J-472X	MG RESISTOR
R2218			NRSA02J-393X	MG RESISTOR	R3031			NRSA02J-0R0X	MG RESISTOR
R2219			NRSA02J-393X	MG RESISTOR	R3032			NRSA02J-102X	MG RESISTOR
R2220			NRSA02J-393X	MG RESISTOR	R3033			NRSA02J-102X	MG RESISTOR
R2222			NRSA02J-123X	MG RESISTOR	R3038			NRSA02J-152X	MG RESISTOR
R2223			NRSA02J-123X	MG RESISTOR	R3039			NRSA02J-0R0X	MG RESISTOR
R2224			NRSA02J-123X	MG RESISTOR	R3040			NRSA02J-0R0X	MG RESISTOR
R2225			NRSA02J-153X	MG RESISTOR	R3041			NRSA02J-472X	MG RESISTOR
R2226			NRSA02J-123X	MG RESISTOR	R3042			NRSA02J-0R0X	MG RESISTOR
R2227			NRSA02J-123X	MG RESISTOR	R3044			NRSA02J-0R0X	MG RESISTOR
R2228			NRSA02J-103X	MG RESISTOR	R3046			NRSA02J-102X	MG RESISTOR
R2229			NRSA02J-563X	MG RESISTOR	R3047			NRSA02J-102X	MG RESISTOR
R2251			NRSA02J-102X	MG RESISTOR	R3048			NRSA02J-102X	MG RESISTOR
R2601			NRSA02J-683X	MG RESISTOR	R3049			NRSA02J-331X	MG RESISTOR
R2602			NRSA02J-683X	MG RESISTOR	R3050			NRSA02J-331X	MG RESISTOR
R2603			NRSA02J-153X	MG RESISTOR	R3051			NRSA02J-471X	MG RESISTOR
R2604			NRSA02J-153X	MG RESISTOR	R3052			NRSA02J-471X	MG RESISTOR
R2605			NRSA02J-105X	MG RESISTOR	R3053			NRSA02J-471X	MG RESISTOR
R2606			NRSA02J-105X	MG RESISTOR	R3054			NRSA02J-0R0X	MG RESISTOR
R2607			NRSA02J-123X	MG RESISTOR	R3055			NRSA02J-0R0X	MG RESISTOR
R2608			NRSA02J-123X	MG RESISTOR	R3056			NRSA02J-0R0X	MG RESISTOR
R2609			NRSA02J-102X	MG RESISTOR	R3057			NRSA02J-102X	MG RESISTOR
R2610			NRSA02J-102X	MG RESISTOR	R3058			NRSA02J-102X	MG RESISTOR
R2611			NRSA02J-332X	MG RESISTOR	R3059			NRSA02J-102X	MG RESISTOR
R2612			NRSA02J-332X	MG RESISTOR	R3060			NRSA02J-102X	MG RESISTOR
R2613			NRSA02J-101X	MG RESISTOR	R3061			NRSA02J-102X	MG RESISTOR
R2614			NRSA02J-101X	MG RESISTOR	R3063			NRSA02J-472X	MG RESISTOR
R2615			NRSA02J-102X	MG RESISTOR	R3066			NRSA02J-472X	MG RESISTOR
R2616			NRSA02J-0R0X	MG RESISTOR	R3069			NRSA02J-101X	MG RESISTOR
R2617			NRSA02J-0R0X	MG RESISTOR	R3071			NRSA02J-103X	MG RESISTOR
R2618			NRSA02J-0R0X	MG RESISTOR	R3072			NRSA02J-0R0X	MG RESISTOR
R2619			NRSA02J-0R0X	MG RESISTOR	R3073			NRSA02J-0R0X	MG RESISTOR
R2620			NRSA02J-0R0X	MG RESISTOR	R3074			NRSA02J-0R0X	MG RESISTOR
R2621			NRSA02J-0R0X	MG RESISTOR	R3075			NRSA02J-471X	MG RESISTOR
R2622			NRSA02J-101X	MG RESISTOR	R3076			NRSA02J-471X	MG RESISTOR
R2623			NRSA02J-101X	MG RESISTOR	R3077			NRSA02J-0R0X	MG RESISTOR
R2624			NRSA02J-151X	MG RESISTOR	R3078			NRSA02J-0R0X	MG RESISTOR
R2625			NRSA02J-221X	MG RESISTOR	R3079			NRSA02J-102X	MG RESISTOR
R2626			NRSA02J-221X	MG RESISTOR	R3083			NRSA02J-0R0X	MG RESISTOR
R2627			NRSA02J-102X	MG RESISTOR	R3085			NRSA02J-0R0X	MG RESISTOR

#	△ REF No.	PART No.	PART NAME, DESCRIPTION	#	△ REF No.	PART No.	PART NAME, DESCRIPTION
R3086		NRSA02J-0R0X	MG RESISTOR 0Ω,1/10W	R3608		NRSA02J-222X	MG RESISTOR 2.2kΩ,1/10W
R3087		NRSA02J-0R0X	MG RESISTOR 0Ω,1/10W	R3609		NRSA02J-222X	MG RESISTOR 2.2kΩ,1/10W
R3088		NRSA02J-0R0X	MG RESISTOR 0Ω,1/10W	R3610		NRSA02J-472X	MG RESISTOR 4.7kΩ,1/10W
R3089		NRSA02J-0R0X	MG RESISTOR 0Ω,1/10W	R3613		NRSA02J-102X	MG RESISTOR 1kΩ,1/10W
R3090		NRSA02J-0R0X	MG RESISTOR 0Ω,1/10W	R3614		NRSA02J-103X	MG RESISTOR 10kΩ,1/10W
R3091		NRSA02J-102X	MG RESISTOR 1kΩ,1/10W	R3615		NRSA02J-103X	MG RESISTOR 10kΩ,1/10W
R3094		NRSA02J-0R0X	MG RESISTOR 0Ω,1/10W	R3616		NRSA02J-472X	MG RESISTOR 4.7kΩ,1/10W
R3095		NRSA02J-0R0X	MG RESISTOR 0Ω,1/10W	R4003		NRSA02J-561X	MG RESISTOR 560Ω,1/10W
R3096		NRSA02J-0R0X	MG RESISTOR 0Ω,1/10W	R4004		NRSA02J-561X	MG RESISTOR 560Ω,1/10W
R3097		NRSA02J-0R0X	MG RESISTOR 0Ω,1/10W	R4005		NRSA02J-562X	MG RESISTOR 5.6kΩ,1/10W
R3103		NRSA02J-102X	MG RESISTOR 1kΩ,1/10W	R4006		NRSA02J-0R0X	MG RESISTOR 0Ω,1/10W
R3104		NRSA02J-0R0X	MG RESISTOR 0Ω,1/10W	R4007		NRSA02J-102X	MG RESISTOR 1kΩ,1/10W
R3105		NRSA02J-102X	MG RESISTOR 1kΩ,1/10W	R4008		NRSA02J-102X	MG RESISTOR 1kΩ,1/10W
R3106		NRSA02J-102X	MG RESISTOR 1kΩ,1/10W	R4009		NRSA02J-102X	MG RESISTOR 1kΩ,1/10W
R3201		NRSA02J-103X	MG RESISTOR 10kΩ,1/10W	R4010		NRSA02J-102X	MG RESISTOR 1kΩ,1/10W
R3202		NRSA02J-472X	MG RESISTOR 4.7kΩ,1/10W	R4011		NRSA02J-272X	MG RESISTOR 2.7kΩ,1/10W
R3203		NRSA02J-103X	MG RESISTOR 10kΩ,1/10W	R4012		NRSA02J-222X	MG RESISTOR 2.2kΩ,1/10W
R3204		NRSA02J-222X	MG RESISTOR 2.2kΩ,1/10W	R4013		NRSA02J-102X	MG RESISTOR 1kΩ,1/10W
R3205		QRE141J-181Y	RESISTOR 180Ω,1/4W	R4014		NRSA02J-0R0X	MG RESISTOR 0Ω,1/10W
R3206		NRSA02J-183X	MG RESISTOR 18kΩ,1/10W	R4015		NRSA02J-562X	MG RESISTOR 5.6kΩ,1/10W
R3207		NRSA02J-183X	MG RESISTOR 18kΩ,1/10W	R4017		NRSA02J-102X	MG RESISTOR 1kΩ,1/10W
R3208		NRSA02J-181X	MG RESISTOR 180Ω,1/10W	R4018		NRSA02J-102X	MG RESISTOR 1kΩ,1/10W
R3209		NRSA02J-273X	MG RESISTOR 27kΩ,1/10W	R4019		NRSA02J-103X	MG RESISTOR 10kΩ,1/10W
R3210		NRSA02J-181X	MG RESISTOR 180Ω,1/10W	R4020		NRSA02J-103X	MG RESISTOR 10kΩ,1/10W
R3211		NRSA02J-273X	MG RESISTOR 27kΩ,1/10W	R4021		NRSA02J-103X	MG RESISTOR 10kΩ,1/10W
R3212		NRSA02J-474X	MG RESISTOR 470kΩ,1/10W	R5401		NRSA02J-472X	MG RESISTOR 4.7kΩ,1/10W
R3213		NRSA02J-334X	MG RESISTOR 330kΩ,1/10W	R5402		NRSA02J-222X	MG RESISTOR 2.2kΩ,1/10W
R3214		NRSA02J-103X	MG RESISTOR 10kΩ,1/10W	R5403		NRSA02J-221X	MG RESISTOR 220Ω,1/10W
R3215		NRSA02J-103X	MG RESISTOR 10kΩ,1/10W	R5404		NRSA02J-221X	MG RESISTOR 220Ω,1/10W
R3216		NRSA02J-103X	MG RESISTOR 10kΩ,1/10W	R6020		NRSA02J-102X	MG RESISTOR 1kΩ,1/10W
R3217		NRSA02J-562X	MG RESISTOR 5.6kΩ,1/10W	R6021		NRSA02J-102X	MG RESISTOR 1kΩ,1/10W
R3218		NRSA02J-472X	MG RESISTOR 4.7kΩ,1/10W	R6023		NRSA02J-0R0X	MG RESISTOR 0Ω,1/10W
R3219		NRSA02J-472X	MG RESISTOR 4.7kΩ,1/10W	R6030		NRSA02J-332X	MG RESISTOR 3.3kΩ,1/10W
R3220		NRSA02J-104X	MG RESISTOR 100kΩ,1/10W	R6031		NRSA02J-0R0X	MG RESISTOR 0Ω,1/10W
R3222		NRSA02J-472X	MG RESISTOR 4.7kΩ,1/10W	R6032		NRSA02J-472X	MG RESISTOR 4.7kΩ,1/10W
R3223		NRSA02J-472X	MG RESISTOR 4.7kΩ,1/10W	R6033		NRSA02J-182X	MG RESISTOR 1.8kΩ,1/10W
R3224		NRSA02J-472X	MG RESISTOR 4.7kΩ,1/10W	R6060		NRSA02J-103X	MG RESISTOR 10kΩ,1/10W
R3225		NRSA02J-103X	MG RESISTOR 10kΩ,1/10W	R6061		NRSA02J-103X	MG RESISTOR 10kΩ,1/10W
R3229		NRSA02J-105X	MG RESISTOR 1MΩ,1/10W	R6080		NRSA02J-103X	MG RESISTOR 10kΩ,1/10W
R3230		NRSA02J-472X	MG RESISTOR 4.7kΩ,1/10W	R6508		NRSA02J-0R0X	MG RESISTOR 0Ω,1/10W
R3231		NRSA02J-102X	MG RESISTOR 1kΩ,1/10W	R6510		NRSA02J-0R0X	MG RESISTOR 0Ω,1/10W
R3233		NRSA02J-103X	MG RESISTOR 10kΩ,1/10W	R6553		NRSA02J-0R0X	MG RESISTOR 0Ω,1/10W
R3234		NRSA02J-103X	MG RESISTOR 10kΩ,1/10W	R6554		NRSA02J-0R0X	MG RESISTOR 0Ω,1/10W
R3235		NRSA02J-332X	MG RESISTOR 3.3kΩ,1/10W	R7504		NRSA02J-562X	MG RESISTOR 5.6kΩ,1/10W
R3236		NRSA02J-332X	MG RESISTOR 3.3kΩ,1/10W	R7505		NRSA02J-221X	MG RESISTOR 220Ω,1/10W
R3237		NRSA02J-103X	MG RESISTOR 10kΩ,1/10W	R7506		NRSA02J-472X	MG RESISTOR 4.7kΩ,1/10W
R3238		NRSA02J-103X	MG RESISTOR 10kΩ,1/10W	R7507		QRE121J-100Y	RESISTOR 10Ω,1/2W
R3239		NRSA02J-103X	MG RESISTOR 10kΩ,1/10W	B8		NRSA02J-0R0X	MG RESISTOR 0Ω,1/10W
R3241		NRSA02J-104X	MG RESISTOR 100kΩ,1/10W	B13		NRSA02J-0R0X	MG RESISTOR 0Ω,1/10W
R3242		NRSA02J-472X	MG RESISTOR 4.7kΩ,1/10W	B65		NRSA02J-0R0X	MG RESISTOR 0Ω,1/10W
R3248		NRSA02J-103X	MG RESISTOR 10kΩ,1/10W	B201		NRSA02J-0R0X	MG RESISTOR 0Ω,1/10W
R3251		NRSA02J-103X	MG RESISTOR 10kΩ,1/10W	B202		NRSA02J-0R0X	MG RESISTOR 0Ω,1/10W
R3253		NRSA02J-472X	MG RESISTOR 4.7kΩ,1/10W	B204		NRSA02J-0R0X	MG RESISTOR 0Ω,1/10W
R3256		NRSA02J-103X	MG RESISTOR 10kΩ,1/10W	B206		NRSA02J-0R0X	MG RESISTOR 0Ω,1/10W
R3257		NRSA02J-103X	MG RESISTOR 10kΩ,1/10W	B207		NRSA02J-0R0X	MG RESISTOR 0Ω,1/10W
R3258		NRSA02J-103X	MG RESISTOR 10kΩ,1/10W	B704		NRSA02J-0R0X	MG RESISTOR 0Ω,1/10W
R3260		NRSA02J-103X	MG RESISTOR 10kΩ,1/10W	B3004		QUY160-100Y	IM BUS WIRE
R3261		NRSA02J-103X	MG RESISTOR 10kΩ,1/10W	B3044		NRSA02J-0R0X	MG RESISTOR 0Ω,1/10W
R3604		NRSA02J-222X	MG RESISTOR 2.2kΩ,1/10W	B3046		NRSA02J-0R0X	MG RESISTOR 0Ω,1/10W
R3605		NRSA02J-222X	MG RESISTOR 2.2kΩ,1/10W	B3056		NRSA02J-0R0X	MG RESISTOR 0Ω,1/10W
R3607		NRSA02J-222X	MG RESISTOR 2.2kΩ,1/10W	B3063		NRSA02J-0R0X	MG RESISTOR 0Ω,1/10W

#	△	REF No.	PART No.	PART NAME, DESCRIPTION	#	△	REF No.	PART No.	PART NAME, DESCRIPTION	
B3070			NRSA02J-0R0X	MG RESISTOR	0Ω,1/10W	C109		NCB21CK-224X	CAPACITOR	0.22μF,16V
B3093			NRSA02J-0R0X	MG RESISTOR	0Ω,1/10W	C110		NDC21HJ-820X	CAPACITOR	82pF,50V
B5402			QUY160-100Y	IM BUS WIRE		C114		NDC21HJ-181X	CAPACITOR	180pF,50V
B5403			QUY153-050Y	IM BUS WIRE		C139		NDC21HJ-470X	CAPACITOR	47pF,50V
B6001			NRSA02J-0R0X	MG RESISTOR	0Ω,1/10W	C202		NCB21CK-105X	CAPACITOR	1μF,16V
B6032			NRSA02J-0R0X	MG RESISTOR	0Ω,1/10W	C204		QEKJ1HM-105	E CAPACITOR	1μF,50V
C1			NCB21HK-103X	CAPACITOR	0.01μF,50V	C206		NDC21HJ-560X	CAPACITOR	56pF,50V
C2			NCB21HK-103X	CAPACITOR	0.01μF,50V	C207		NCB21CK-474X	CAPACITOR	0.47μF,16V
C3			NCB21HK-103X	CAPACITOR	0.01μF,50V	C209		QEKJ0JM-227	E CAPACITOR	220μF,6.3V
C4			NCB21HK-103X	CAPACITOR	0.01μF,50V	C211		NCB21HK-103X	CAPACITOR	0.01μF,50V
C5			QEKJ0JM-476	E CAPACITOR	47μF,6.3V	C212		NDC21HJ-330X	CAPACITOR	33pF,50V
C6			NCB11EK-104X	CAPACITOR	0.1μF,25V	C213		NDC21HJ-330X	CAPACITOR	33pF,50V
C7			NCB21HK-102X	CAPACITOR	0.001μF,50V	C215		NDC21HJ-101X	CAPACITOR	100pF,50V
C8			NCB21EK-104X	CAPACITOR	0.1μF,25V	C216		NDC21HJ-101X	CAPACITOR	100pF,50V
C9			QEKJ1HM-225	E CAPACITOR	2.2μF,50V	C217		NCB21EK-104X	CAPACITOR	0.1μF,25V
C10			NDC21HG-151X	CAPACITOR	150pF,50V	C218		QEKJ1HM-475	E CAPACITOR	4.7μF,50V
C11			NCB21EK-104X	CAPACITOR	0.1μF,25V	C219		NCB21CK-224X	CAPACITOR	0.22μF,16V
C12			NDC21HJ-8R0X	CAPACITOR	8pF,50V	C220		NCB21CK-224X	CAPACITOR	0.22μF,16V
C14			NCB21EK-104X	CAPACITOR	0.1μF,25V	C222		QEKJ0JM-227	E CAPACITOR	220μF,6.3V
C15			NCB21HK-103X	CAPACITOR	0.01μF,50V	C401		NCB21HK-103X	CAPACITOR	0.01μF,50V
C16			NCB21EK-104X	CAPACITOR	0.1μF,25V	C402		NCB21HK-223X	CAPACITOR	0.022μF,50V
C17			QEKJ1HM-335	E CAPACITOR	3.3μF,50V	C403		NDC21HJ-131X	CAPACITOR	130pF,50V
C19			QEKJ1HM-225	E CAPACITOR	2.2μF,50V	C404		NDC21HJ-470X	CAPACITOR	47pF,50V
C20			QEKJ1HM-105	E CAPACITOR	1μF,50V	C406		NCB21HK-102X	CAPACITOR	0.001μF,50V
C21			NCB21EK-104X	CAPACITOR	0.1μF,25V	C407		NDC21HJ-150X	CAPACITOR	15pF,50V
C22			QEKJ0JM-476	E CAPACITOR	47μF,6.3V	C601		QEKJ1HM-475	E CAPACITOR	4.7μF,50V
C23			NCB21EK-104X	CAPACITOR	0.1μF,25V	C602		QEKJ1HM-225	E CAPACITOR	2.2μF,50V
C24			NCB21EK-104X	CAPACITOR	0.1μF,25V	C603		QEKJ1HM-225	E CAPACITOR	2.2μF,50V
C25			NDC21HJ-6R0X	CAPACITOR	6pF,50V	C604		QEKJ1HM-475	E CAPACITOR	4.7μF,50V
C26			NCB21EK-104X	CAPACITOR	0.1μF,25V	C605		QEKJ0JM-476	E CAPACITOR	47μF,6.3V
C27			NCB21HK-223X	CAPACITOR	0.022μF,50V	C606		NCB21HK-103X	CAPACITOR	0.01μF,50V
C28			QEKJ1HM-335	E CAPACITOR	3.3μF,50V	C607		NDC21HG-301X	CAPACITOR	300pF,50V
C29			NCB21EK-333X	CAPACITOR	0.033μF,25V	C608		NDC21HG-301X	CAPACITOR	300pF,50V
C30			NCB21CK-474X	CAPACITOR	0.47μF,16V	C609		NDC21HG-221X	CAPACITOR	220pF,50V
C31			QEKJ0JM-476	E CAPACITOR	47μF,6.3V	C610		NDC21HG-820X	CAPACITOR	82pF,50V
C32			NCB21EK-104X	CAPACITOR	0.1μF,25V	C611		NDC21HG-271X	CAPACITOR	270pF,50V
C33			QEKJ1HM-225	E CAPACITOR	2.2μF,50V	C612		NDC21HJ-181X	CAPACITOR	180pF,50V
C34			NCB21EK-104X	CAPACITOR	0.1μF,25V	C613		NDC21HJ-101X	CAPACITOR	100pF,50V
C35			NCB21HK-103X	CAPACITOR	0.01μF,50V	C614		NDC21HG-301X	CAPACITOR	300pF,50V
C36			QEKJ1HM-475	E CAPACITOR	4.7μF,50V	C615		NDC21HG-301X	CAPACITOR	300pF,50V
C37			QEKJ1HM-105	E CAPACITOR	1μF,50V	C701		QEKJ0JM-476	E CAPACITOR	47μF,6.3V
C38			QEKJ0JM-476	E CAPACITOR	47μF,6.3V	C702		NCB21HK-103X	CAPACITOR	0.01μF,50V
C39			NCB21EK-104X	CAPACITOR	0.1μF,25V	C703		NCB21HK-103X	CAPACITOR	0.01μF,50V
C40			QEKJ1EM-106	E CAPACITOR	10μF,25V	C704		NCB21HK-103X	CAPACITOR	0.01μF,50V
C45			NCB21EK-104X	CAPACITOR	0.1μF,25V	C705		NCB21HK-103X	CAPACITOR	0.01μF,50V
C46			NDC21HJ-101X	CAPACITOR	100pF,50V	C706		QEKJ1CM-106	E CAPACITOR	10μF,16V
C51			NCB21HK-103X	CAPACITOR	0.01μF,50V	C707		QEKJ1CM-106	E CAPACITOR	10μF,16V
C59			NCB21HK-103X	CAPACITOR	0.01μF,50V	C708		NCB21HK-103X	CAPACITOR	0.01μF,50V
C60			QERF0JM-476	E CAPACITOR	47μF,6.3V	C709		QEKJ1CM-106	E CAPACITOR	10μF,16V
C61			NCB21HK-103X	CAPACITOR	0.01μF,50V	C710		QEKJ1HM-105	E CAPACITOR	1μF,50V
C63			NCB21EK-104X	CAPACITOR	0.1μF,25V	C711		QEKJ0JM-476	E CAPACITOR	47μF,6.3V
C64			NDC21HJ-220X	CAPACITOR	22pF,50V	C712		NCB21HK-103X	CAPACITOR	0.01μF,50V
C65			QEKJ1HM-105	E CAPACITOR	1μF,50V	C713		QEKJ1HM-105	E CAPACITOR	1μF,50V
C69			NRSA02J-0R0X	MG RESISTOR	0Ω,1/10W	C714		QEKJ1HM-105	E CAPACITOR	1μF,50V
C70			NRSA02J-0R0X	MG RESISTOR	0Ω,1/10W	C715		QEKJ0JM-476	E CAPACITOR	47μF,6.3V
C71			NCB21HK-103X	CAPACITOR	0.01μF,50V	C716		NCB21HK-103X	CAPACITOR	0.01μF,50V
C72			NDC21HJ-470X	CAPACITOR	47pF,50V	C717		NCB21HK-103X	CAPACITOR	0.01μF,50V
C73			NDC21HJ-120X	CAPACITOR	12pF,50V	C719		NCB21HK-103X	CAPACITOR	0.01μF,50V
C80			NCB21HK-103X	CAPACITOR	0.01μF,50V	C720		QEKJ1CM-106	E CAPACITOR	10μF,16V
C106			NCB21HK-821X	CAPACITOR	820pF,50V	C722		QEKJ0JM-476	E CAPACITOR	47μF,6.3V
C108			NDC21HJ-680X	CAPACITOR	68pF,50V	C723		NCB21HK-103X	CAPACITOR	0.01μF,50V

#	△ REF No.	PART No.	PART NAME, DESCRIPTION	#	△ REF No.	PART No.	PART NAME, DESCRIPTION
C724		QEKJ0JM-476	E CAPACITOR 47μF,6.3V	C2607		QEKJ1EM-106	E CAPACITOR 10μF,25V
C725		NCB21HK-103X	CAPACITOR 0.01μF,50V	C2608		QEKJ1EM-106	E CAPACITOR 10μF,25V
C726		NCB21HK-103X	CAPACITOR 0.01μF,50V	C2609		QEKJ1EM-106	E CAPACITOR 10μF,25V
C727		QEKJ1CM-106	E CAPACITOR 10μF,16V	C2610		QEKJ1EM-106	E CAPACITOR 10μF,25V
C2001		QEKJ1HM-475	E CAPACITOR 4.7μF,50V	C2611		QEKJ1EM-106	E CAPACITOR 10μF,25V
C2002		QEKJ1EM-106	E CAPACITOR 10μF,25V	C2612		QEKJ1EM-106	E CAPACITOR 10μF,25V
C2003		QEKJ0JM-476	E CAPACITOR 47μF,6.3V	C2613		QEKJ1EM-106	E CAPACITOR 10μF,25V
C2005		QEKJ1HM-475	E CAPACITOR 4.7μF,50V	C2614		NDC21HJ-101X	CAPACITOR 100pF,50V
C2006		NCB21HK-123X	CAPACITOR 0.012μF,50V	C2615		NDC21HJ-101X	CAPACITOR 100pF,50V
C2007		QEKJ1CM-226	E CAPACITOR 22μF,16V	C2616		QEKJ1EM-106	E CAPACITOR 10μF,25V
C2008		QEKJ1HM-475	E CAPACITOR 4.7μF,50V	C2617		QEKJ1EM-106	E CAPACITOR 10μF,25V
C2009		NCB21HK-122X	CAPACITOR 0.0012μF,50V	C3001		NCB21EK-104X	CAPACITOR 0.1μF,25V
C2010		NCB21HK-152X	CAPACITOR 0.0015μF,50V	C3002		NCB21HK-103X	CAPACITOR 0.01μF,50V
C2011		QEKJ1HM-475	E CAPACITOR 4.7μF,50V	C3003		QEKJ1EM-106	E CAPACITOR 10μF,25V
C2012		QEKJ1HM-475	E CAPACITOR 4.7μF,50V	C3004		NCB21EK-104X	CAPACITOR 0.1μF,25V
C2016		NCB21HK-221X	CAPACITOR 220pF,50V	C3008		NDC21HJ-102X	CAPACITOR 0.001μF,50V
C2051		NCB21HK-331X	CAPACITOR 330pF,50V	C3010		QEZ0244-229	EDL CAPACITOR 0.0022F,5.5V
C2052		QFLC1HJ-333Z	F CAPACITOR 0.033μF,50V	C3012		QEKJ0JM-107	E CAPACITOR 100μF,6.3V
C2053		NCB21HK-332X	CAPACITOR 0.0033μF,50V	C3015		NCB21EK-104X	CAPACITOR 0.1μF,25V
C2054		NCB21HK-103X	CAPACITOR 0.01μF,50V	C3016		NCB21EK-104X	CAPACITOR 0.1μF,25V
C2055		QEKJ1EM-106	E CAPACITOR 10μF,25V	C3022		NCB21EK-104X	CAPACITOR 0.1μF,25V
C2061		QFLC1HJ-333Z	F CAPACITOR 0.033μF,50V	C3024		NDC21HJ-180X	CAPACITOR,DVS3EK 18pF,50V
C2062		NCB21HK-332X	CAPACITOR 0.0033μF,50V	C3024		NDC21HJ-220X	CAPACITOR,DVS3EU 22pF,50V
C2063		NCB21HK-103X	CAPACITOR 0.01μF,50V	C3025		QAT3725-300Z	TRIM CAPACITOR,CLOCK ADJ,DVS3EU
C2064		QEKJ1EM-106	E CAPACITOR 10μF,25V	C3027		QERF1CM-106	E CAPACITOR 10μF,16V
C2201		NCB21EK-104X	CAPACITOR 0.1μF,25V	C3030		QERF1CM-226	E CAPACITOR 22μF,16V
C2202		NCB21EK-333X	CAPACITOR 0.033μF,25V	C3031		NCB21EK-104X	CAPACITOR 0.1μF,25V
C2203		QEKJ1EM-106	E CAPACITOR 10μF,25V	C3032		NCB21EK-104X	CAPACITOR 0.1μF,25V
C2204		NCB21HK-102X	CAPACITOR 0.001μF,50V	C3033		NCB21EK-104X	CAPACITOR 0.1μF,25V
C2205		QEKJ1HM-105	E CAPACITOR 1μF,50V	C3036		NDC21HJ-180X	CAPACITOR 18pF,50V
C2207		QEKJ1CM-476	E CAPACITOR 47μF,16V	C3037		NDC21HJ-120X	CAPACITOR 12pF,50V
C2208		QEKJ1HM-475	E CAPACITOR 4.7μF,50V	C3040		NCB21HK-103X	CAPACITOR 0.01μF,50V
C2209		NCF21EZ-104X	CAPACITOR 0.1μF,25V	C3041		NDC21HJ-120X	CAPACITOR,DVS3EK 12pF,50V
C2210		NCF21EZ-104X	CAPACITOR 0.1μF,25V	C3042		QETL0JM-108	E CAPACITOR 1000μF,6.3V
C2213		QEKJ1EM-106	E CAPACITOR 10μF,25V	C3050		NCB21EK-104X	CAPACITOR 0.1μF,25V
C2214		QEKJ1EM-106	E CAPACITOR 10μF,25V	C3054		NCB21HK-103X	CAPACITOR 0.01μF,50V
C2215		QEKJ1HM-475	E CAPACITOR 4.7μF,50V	C3602		NCB21EK-104X	CAPACITOR 0.1μF,25V
C2216		QEKJ1HM-474	E CAPACITOR 0.47μF,50V	C3652		NCB21EK-104X	CAPACITOR 0.1μF,25V
C2217		QEKJ1EM-106	E CAPACITOR 10μF,25V	C4002		NCB21EK-104X	CAPACITOR 0.1μF,25V
C2218		QEKJ1HM-474	E CAPACITOR 0.47μF,50V	C4003		NCB21HK-102X	CAPACITOR 0.001μF,50V
C2219		QEKJ1EM-106	E CAPACITOR 10μF,25V	C4004		QEKJ1AM-226	E CAPACITOR 22μF,10V
C2220		QEKJ1HM-475	E CAPACITOR 4.7μF,50V	C4006		QEKJ0JM-476	E CAPACITOR 47μF,6.3V
C2221		NCB21HK-103X	CAPACITOR 0.01μF,50V	C4007		NCB21HK-102X	CAPACITOR 0.001μF,50V
C2222		QEKJ1HM-474	E CAPACITOR 0.47μF,50V	C4008		NCB21AK-105X	CAPACITOR 1μF,10V
C2223		QEKJ1HM-474	E CAPACITOR 0.47μF,50V	C4009		NCB21HK-563X	CAPACITOR 0.056μF,50V
C2224		NCB21HK-103X	CAPACITOR 0.01μF,50V	C4010		NCB21EK-223X	CAPACITOR 0.022μF,25V
C2225		QEKJ1HM-475	E CAPACITOR 4.7μF,50V	C4011		NCB21EK-104X	CAPACITOR 0.1μF,25V
C2226		QEKJ1EM-106	E CAPACITOR 10μF,25V	C4012		NCB21AK-105X	CAPACITOR 1μF,10V
C2227		NCB21EK-104X	CAPACITOR 0.1μF,25V	C4013		NCB21HK-563X	CAPACITOR 0.056μF,50V
C2228		NCB21EK-104X	CAPACITOR 0.1μF,25V	C4014		NDC21HJ-101X	CAPACITOR 100pF,50V
C2251		QEKJ0JM-476	E CAPACITOR 47μF,6.3V	C4015		NCB21HK-102X	CAPACITOR 0.001μF,50V
C2252		NCB21HK-103X	CAPACITOR 0.01μF,50V	C5401		QEKJ1CM-476	E CAPACITOR 47μF,16V
C2253		NCB21HK-103X	CAPACITOR 0.01μF,50V	C5402		QEKJ1CM-107	E CAPACITOR 100μF,16V
C2254		NCB21HK-103X	CAPACITOR 0.01μF,50V	C5403		QEKJ1CM-476	E CAPACITOR 47μF,16V
C2255		NDC21HJ-181X	CAPACITOR 180pF,50V	C5404		QEKJ1CM-107	E CAPACITOR 100μF,16V
C2601		NDC21HJ-101X	CAPACITOR 100pF,50V	C6014		NCB21HK-103X	CAPACITOR 0.01μF,50V
C2602		NDC21HJ-101X	CAPACITOR 100pF,50V	C6023		NRSA02J-0R0X	MG RESISTOR 0Ω,1/10W
C2603		NDC21HJ-101X	CAPACITOR 100pF,50V	C6032		NCF21EZ-473X	CAPACITOR 0.047μF,25V
C2604		NDC21HJ-101X	CAPACITOR 100pF,50V	C6033		NRSA02J-0R0X	MG RESISTOR 0Ω,1/10W
C2605		QEKJ1EM-106	E CAPACITOR 10μF,25V	C6037		QEKJ1CM-106	E CAPACITOR 10μF,16V
C2606		QEKJ1EM-106	E CAPACITOR 10μF,25V	C6553		QEKJ0JM-337	E CAPACITOR 330μF,6.3V

#	△ REF No.	PART No.	PART NAME, DESCRIPTION	
C7502		QETJ0JM-477	E CAPACITOR	470μF,6.3V
L1		QQL29BJ-100Z	COIL	10μH
L2		QQL071J-121Y	COIL	120μH
L3		QQL29BJ-100Z	COIL	10μH
L4		QQL29BJ-100Z	COIL	10μH
L5		QQR0521-012Z	NOISE FILTER	
L12		QQR0967-001	COIL	12μH
L13		QQL071J-330Y	COIL	33μH
L15		QQL29BJ-100Z	COIL	10μH
L18		QQL071J-220Y	COIL	22μH
L19		QQL071J-120Y	COIL	12μH
L20		QUY153-050Y	IM BUS WIRE	
L24		QQL071J-270Y	COIL	27μH
L27		QQL071J-330Y	COIL	33μH
L28		QQL071J-680Y	COIL	68μH
L30		QUY153-050Y	IM BUS WIRE	
L201		QQL29BK-1R0Z	COIL	1.0μH
L202		QUY153-050Y	IM BUS WIRE	
L203		QQL071J-220Y	COIL	22μH
L204		QQL29BJ-100Z	COIL	10μH
L205		QUY153-050Y	IM BUS WIRE	
L206		QQL29BJ-220Z	COIL	22μH
L401		QQL071J-150Y	COIL	15μH
L402		QUY153-050Y	IM BUS WIRE	
L601		QQL29BJ-100Z	COIL	10μH
L701		QQL29BJ-100Z	COIL	10μH
L702		QQL29BJ-100Z	COIL	10μH
L703		QQL29BJ-100Z	COIL	10μH
L704		QQL29BJ-100Z	COIL	10μH
L705		QQL29BJ-100Z	COIL	10μH
L2001		QUY153-050Y	IM BUS WIRE	
L2251		QQL29BJ-100Z	COIL	10μH
L2252		QQL29BJ-151Z	COIL	150μH
L3001		QUY153-050Y	IM BUS WIRE	
L6001		QQL29BJ-100Z	COIL	10μH
L6002		QQL29BJ-100Z	COIL	10μH
L6005		QQL29BJ-100Z	COIL	10μH
L6032		QUY153-050Y	IM BUS WIRE	
L6501		QQL29BJ-3R3Z	COIL	3.3μH
L7501		QQL29BJ-101Z	COIL	100μH
X1		QAX0576-001Z	CRYSTAL RESONATOR	
X3001		QAX0444-001	CRYSTAL RESONATOR,DVS3EK	
		QAX0445-001	CRYSTAL RESONATOR,DVS3EU	
X3002		QAX0527-001	CRYSTAL RESONATOR	
S3001		QSW0602-004	PUSH SWITCH,REC SAFETY	
S3002		QSW0695-001	PUSH SWITCH,S CASS SW	
K2001		NQL103K-R10X	COIL	0.1μH
K2002		NQL103K-R10X	COIL	0.1μH
K2003		NQL103K-R10X	COIL	0.1μH
K2004		NQL103K-R10X	COIL	0.1μH
K2251		NRSA02J-0R0X	MG RESISTOR	0Ω,1/10W
K2252		NRSA02J-0R0X	MG RESISTOR	0Ω,1/10W
K2253		NRSA02J-0R0X	MG RESISTOR	0Ω,1/10W
PC3001		GP3S123	IC(PHOTO SENSOR)	
PC3002		GP3S123	IC(PHOTO SENSOR)	
T2051		PELN0860	OSC TRANSFORMER	
T2052		PELN0861	OSC TRANSFORMER	
TU6001		QAU0209-002	TUNER	
SD1		LP30644-001A	S.CASE(PRE)	
ST2		PU59391	STYLE PIN	
OT1		QYTDSF3010Z	SCREW,X2,TERMINAL	

#	△ REF No.	PART No.	PART NAME, DESCRIPTION
OT2		LP40229-002A	PLATE
ET1		PQ21623-2-5	EARTH PLATE(RF)
WR100		QUQ112-0912CG	FFC WIRE,TERMINAL
WR101		QUQ112-1514CG	FFC WIRE,TERMINAL
CN1		QGF1028C1-13	FPC CONNECTOR,(1-13)DRUM
CN701		QGF1207C1-14	FPC CONNECTOR,(1-14)DV MAIN
CN2001		QGF1207C1-07	FPC CONNECTOR,(1-7)A/C HEAD
CN2002		QGB2532J1-02	CONNECTOR,(1-2)FE HEAD
CN2601		QGF1016C3-08	FFC/FPC CONNECTOR,(1-8)DV MAIN
CN3001		QGF1207C1-05	FPC CONNECTOR,(1-5)DRUM MDA
CN3002		QGB2532J1-02	CONNECTOR,(1-2)LOADING MOTOR
CN3003		QGB2015M2-08	CONNECTOR,(1-8)CAPSTAN MOTOR
CN3004		QGB2534J2-04	CONNECTOR,(1-4)ROTALY ENCODER
CN3011		QGF1209F2-20	FFC/FPC CONNECTOR,(1-20)SW/DISPLAY
CN3014		QGF1207C1-04	FPC CONNECTOR,(1-4)DV MAIN
CN7501		QGB2024K1-09S	CONNECTOR,(1-9)TERMINAL
CN7502		QGB2024K1-10S	CONNECTOR,(1-10)TERMINAL
CN7503		QGB2024K1-12S	CONNECTOR,(1-12)TERMINAL
CN7504		QGB2024K1-11S	CONNECTOR,(1-11)TERMINAL
CN7505		QGB2024K1-09S	CONNECTOR,(1-9)TERMINAL
CN7506		QGF1207C1-15	FPC CONNECTOR,(1-15)TERMINAL
CN7507		QGF1207C1-09	FPC CONNECTOR,(1-9)TERMINAL
CN7508		QGF1207C1-10	FPC CONNECTOR,(1-10)SW REG
CN7509		QGF1207C1-12	FPC CONNECTOR,(1-12)SW REG
CN7510		QGF1209F2-10	FPC CONNECTOR,(1-10)SW/DISPLAY
△ CP3003		ICP-N25	CIRCUIT PROTECTOR
△ CP3004		ICP-N25	CIRCUIT PROTECTOR
△ CP4001		ICP-N25	CIRCUIT PROTECTOR

3D DIGITAL/2M BOARD ASSEMBLY <05>

PW1	LPA10105-05A	3D DIGITAL/2M BOARD ASSY
IC1401	JCP8026	IC
△ Q1401	2SC1317/RS/-T	TRANSISTOR
Q1402	2SA1576A/QR/-X	TRANSISTOR
	or 2PA1576/R/-X	TRANSISTOR
Q1403	2SA1576A/QR/-X	TRANSISTOR
	or 2PA1576/R/-X	TRANSISTOR
Q1404	DTC144WU	TRANSISTOR
	or RN1309	TRANSISTOR
	or UN521E	TRANSISTOR
Q1406	2SA1576A/QR/-X	TRANSISTOR
	or 2PA1576/R/-X	TRANSISTOR
Q1407	2SA1576A/QR/-X	TRANSISTOR
	or 2PA1576/R/-X	TRANSISTOR
Q1408	2SC4081/S/-X	TRANSISTOR
Q1410	2SC4081/QRS/-X	TRANSISTOR
	or 2PC4081/R/-X	TRANSISTOR
Q1412	2SC4081/QRS/-X	TRANSISTOR
	or 2PC4081/R/-X	TRANSISTOR
Q1413	2SA1576A/QR/-X	TRANSISTOR
	or 2PA1576/R/-X	TRANSISTOR
Q1414	DTC144WU	TRANSISTOR
	or RN1309	TRANSISTOR
	or UN521E	TRANSISTOR
Q1417	2SC4081/QRS/-X	TRANSISTOR
	or 2PC4081/R/-X	TRANSISTOR

#	△ REF No.	PART No.	PART NAME, DESCRIPTION	#	△ REF No.	PART No.	PART NAME, DESCRIPTION
Q1418		2SA1576A/QR/-X	TRANSISTOR	C1407		NDC21HJ-680X	CAPACITOR 68pF,50V
		or 2PA1576R/-X	TRANSISTOR	C1408		NDC21HJ-330X	CAPACITOR 33pF,50V
Q1419		DTC124TU	TRANSISTOR	C1410		QEKJ1EM-475	E CAPACITOR 4.7μF,25V
Q1420		2SC4081/QRS/-X	TRANSISTOR	C1411		NCF21EZ-104X	CAPACITOR 0.1μF,25V
		or 2PC4081R/-X	TRANSISTOR	C1412		NDC21HJ-680X	CAPACITOR 68pF,50V
D1401		RD4.3ES/B3/-T2	ZENER DIODE	C1413		NDC21HJ-330X	CAPACITOR 33pF,50V
D1402		1SS133	DIODE	C1415		NCF21EZ-104X	CAPACITOR 0.1μF,25V
		or 1N4148M	DIODE	C1416		QEKJ1CM-106	E CAPACITOR 10μF,16V
R1401		NRSA02J-181X	MG RESISTOR 180Ω,1/10W	C1417		NCF21EZ-104X	CAPACITOR 0.1μF,25V
R1402		NRSA02J-101X	MG RESISTOR 100Ω,1/10W	C1421		NDC21HJ-330X	CAPACITOR 33pF,50V
R1404		NRSA02J-182X	MG RESISTOR 1.8kΩ,1/10W	C1422		NDC21HJ-680X	CAPACITOR 68pF,50V
R1406		NRSA02J-471X	MG RESISTOR 470Ω,1/10W	C1423		NCF21EZ-104X	CAPACITOR 0.1μF,25V
R1407		NRSA02J-272X	MG RESISTOR 2.7kΩ,1/10W	C1424		NCB21HK-103X	CAPACITOR 0.01μF,50V
R1408		NRSA02J-122X	MG RESISTOR 1.2kΩ,1/10W	C1425		NCB21HK-103X	CAPACITOR 0.01μF,50V
R1410		NRSA02J-391X	MG RESISTOR 390Ω,1/10W	C1426		NDC21HJ-390X	CAPACITOR 39pF,50V
R1411		NRSA02J-152X	MG RESISTOR 1.5kΩ,1/10W	C1428		NDC21HJ-220X	CAPACITOR 22pF,50V
R1413		NRSA02J-331X	MG RESISTOR 330Ω,1/10W	C1429		QEKJ0JM-337	E CAPACITOR 330μF,6.3V
R1414		NRSA02J-821X	MG RESISTOR 820Ω,1/10W	C1430		NCF21EZ-104X	CAPACITOR 0.1μF,25V
R1415		NRSA02J-221X	MG RESISTOR 220Ω,1/10W	C1432		NCF21CZ-105X	CAPACITOR 1μF,16V
R1416		NRSA02J-104X	MG RESISTOR 100kΩ,1/10W	C1433		NCF21EZ-104X	CAPACITOR 0.1μF,25V
R1417		NRSA02J-101X	MG RESISTOR 100Ω,1/10W	C1435		NCF21EZ-104X	CAPACITOR 0.1μF,25V
R1418		NRSA02J-471X	MG RESISTOR 470Ω,1/10W	C1436		NCF21EZ-104X	CAPACITOR 0.1μF,25V
R1421		NRSA02J-391X	MG RESISTOR 390Ω,1/10W	C1437		NCF21EZ-104X	CAPACITOR 0.1μF,25V
R1426		NRSA02J-561X	MG RESISTOR 560Ω,1/10W	C1438		NCF21EZ-104X	CAPACITOR 0.1μF,25V
R1427		NRSA02J-333X	MG RESISTOR 33kΩ,1/10W	C1439		NCB21HK-103X	CAPACITOR 0.01μF,50V
R1428		NRSA02J-393X	MG RESISTOR 39kΩ,1/10W	C1440		NCF21EZ-104X	CAPACITOR 0.1μF,25V
R1429		NRSA02J-152X	MG RESISTOR 1.5kΩ,1/10W	C1441		NCF21EZ-104X	CAPACITOR 0.1μF,25V
R1430		NRSA02J-222X	MG RESISTOR 2.2kΩ,1/10W	C1442		NCF21CZ-105X	CAPACITOR 1μF,16V
R1431		NRSA02J-821X	MG RESISTOR 820Ω,1/10W	C1444		NCF21EZ-104X	CAPACITOR 0.1μF,25V
R1432		NRSA02J-182X	MG RESISTOR 1.8kΩ,1/10W	C1445		NCF21EZ-104X	CAPACITOR 0.1μF,25V
R1433		NRSA02J-510X	MG RESISTOR 51Ω,1/10W	C1446		QEKJ0JM-476	E CAPACITOR 47μF,6.3V
R1434		NRSA02J-153X	MG RESISTOR 15kΩ,1/10W	C1447		NCF21EZ-104X	CAPACITOR 0.1μF,25V
R1435		NRSA02J-223X	MG RESISTOR 22kΩ,1/10W	C1448		QEKJ0JM-476	E CAPACITOR 47μF,6.3V
R1436		NRSA02J-682X	MG RESISTOR 6.8kΩ,1/10W	C1449		NCF21EZ-104X	CAPACITOR 0.1μF,25V
R1437		NRSA02J-392X	MG RESISTOR 3.9kΩ,1/10W	C1450		NCF21EZ-104X	CAPACITOR 0.1μF,25V
R1438		NRSA02J-473X	MG RESISTOR 47kΩ,1/10W	C1451		QEKJ1EM-475	E CAPACITOR 4.7μF,25V
R1439		NRSA02J-273X	MG RESISTOR 27kΩ,1/10W	C1452		NCF21EZ-104X	CAPACITOR 0.1μF,25V
R1440		NRSA02J-473X	MG RESISTOR 47kΩ,1/10W	C1453		NCF21EZ-104X	CAPACITOR 0.1μF,25V
R1441		NRSA02J-682X	MG RESISTOR 6.8kΩ,1/10W	C1454		NCF21EZ-104X	CAPACITOR 0.1μF,25V
R1442		NRSA02J-682X	MG RESISTOR 6.8kΩ,1/10W	C1455		NCF21EZ-104X	CAPACITOR 0.1μF,25V
R1446		NRSA02J-102X	MG RESISTOR 1kΩ,1/10W	C1463		QEKJ0JM-336	E CAPACITOR 33μF,6.3V
R1447		NRSA02J-102X	MG RESISTOR 1kΩ,1/10W	C1468		NDC21HJ-101X	CAPACITOR 100pF,50V
R1448		NRSA02J-102X	MG RESISTOR 1kΩ,1/10W	C1470		NDC21HJ-330X	CAPACITOR 33pF,50V
R1449		NRSA02J-102X	MG RESISTOR 1kΩ,1/10W	C1471		NCF21EZ-104X	CAPACITOR 0.1μF,25V
R1450		NRSA02J-102X	MG RESISTOR 1kΩ,1/10W	C1472		NCF21EZ-104X	CAPACITOR 0.1μF,25V
R1452		NRSA02J-471X	MG RESISTOR 470Ω,1/10W	C1473		NCF21EZ-104X	CAPACITOR 0.1μF,25V
R1453		NRSA02J-102X	MG RESISTOR 1kΩ,1/10W	L1401		QQL29BJ-100Z	COIL 10μH
R1454		NRSA02J-102X	MG RESISTOR 1kΩ,1/10W	L1402		QQL071J-6R8Y	COIL 6.8μH
R1455		NRSA02J-681X	MG RESISTOR 680Ω,1/10W	L1403		QQL071J-6R8Y	COIL 6.8μH
R1458		NRSA02J-681X	MG RESISTOR 680Ω,1/10W	L1404		QQL071J-6R8Y	COIL 6.8μH
R1459		NRSA02J-681X	MG RESISTOR 680Ω,1/10W	L1405		QQL01BJ-101Z	COIL 100μH
R1460		NRSA02J-273X	MG RESISTOR 27kΩ,1/10W	L1406		QQL071J-330Y	COIL 33μH
R1461		NRSA02J-121X	MG RESISTOR 120Ω,1/10W	L1407		QQL01BJ-101Z	COIL 100μH
R1463		NRSA02J-101X	MG RESISTOR 100Ω,1/10W	L1409		QQL071J-1R0Y	COIL 1.0μH
VR1401		QVZ3521-103Z	V RESISTOR,D/A LEVEL ADJ	LC1401		QQR0521-007Z	NOISE FILTER
B1412		NRSA02J-0R0X	MG RESISTOR 0Ω,1/10W	LC1402		QQR0521-006Z	NOISE FILTER
C1401		QEKJ1CM-336	E CAPACITOR 33μF,16V	SD1		LP30706-001C	SHIELD FRAME(S-VHS)
C1403		QEKJ0JM-337	E CAPACITOR 330μF,6.3V	SD2		LP30684-001A	SHIELD CASE(S-VHS)
C1404		NCF21EZ-104X	CAPACITOR 0.1μF,25V	CN1401		QGG2502K1-17	HEADER PIN
C1405		NCF21EZ-104X	CAPACITOR 0.1μF,25V				
C1406		NCB21HK-103X	CAPACITOR 0.01μF,50V				

▲ REF No. PART No. PART NAME, DESCRIPTION

TERMINAL BOARD ASSEMBLY <06>

PW1	LPA10151-01A	TERMINAL BOARD ASSY	
IC501	JCP8018	IC	
	or JCP8028	IC	
	or JCP8038	IC	
	or JCP8028-01	IC	
IC901	BH7636S	IC	
Q901	2SB1218A/QR/-X	TRANSISTOR	
	or 2SA1576A/QR/-X	TRANSISTOR	
	or 2PA1576/R/-X	TRANSISTOR	
Q902	UN521E	TRANSISTOR	
	or DTC144WU	TRANSISTOR	
	or PDTC144WU	TRANSISTOR	
	or RN1309	TRANSISTOR	
Q903	2SB1218A/QR/-X	TRANSISTOR	
	or 2SA1576A/QR/-X	TRANSISTOR	
	or 2PA1576/R/-X	TRANSISTOR	
Q904	2SB1218A/QR/-X	TRANSISTOR	
	or 2PA1576/R/-X	TRANSISTOR	
	or 2SA1576A/QR/-X	TRANSISTOR	
Q905	2SB1218A/QR/-X	TRANSISTOR	
	or 2SA1576A/QR/-X	TRANSISTOR	
	or 2PA1576/R/-X	TRANSISTOR	
Q906	2SD1819A/QRS/-X	TRANSISTOR	
	or 2SC4081/QRS/-X	TRANSISTOR	
	or 2PC4081/R/-X	TRANSISTOR	
Q907	2SD1819A/QRS/-X	TRANSISTOR	
	or 2SC4081/QRS/-X	TRANSISTOR	
	or 2PC4081/R/-X	TRANSISTOR	
Q908	2SD1819A/QRS/-X	TRANSISTOR	
	or 2PC4081/R/-X	TRANSISTOR	
	or 2SC4081/QRS/-X	TRANSISTOR	
Q909	2SD1819A/QRS/-X	TRANSISTOR	
	or 2SC4081/QRS/-X	TRANSISTOR	
	or 2PC4081/R/-X	TRANSISTOR	
Q910	2SB1218A/QR/-X	TRANSISTOR	
	or 2PA1576/R/-X	TRANSISTOR	
	or 2SA1576A/QR/-X	TRANSISTOR	
Q911	UN5211	TRANSISTOR	
	or DTC114EU	TRANSISTOR	
	or PDTC114EU	TRANSISTOR	
	or RN1302	TRANSISTOR	
Q912	2SB1218A/QR/-X	TRANSISTOR	
	or 2SA1576A/QR/-X	TRANSISTOR	
	or 2PA1576/R/-X	TRANSISTOR	
Q913	2SB1218A/QR/-X	TRANSISTOR	
	or 2PA1576/R/-X	TRANSISTOR	
	or 2SA1576A/QR/-X	TRANSISTOR	
D901	MTZJ12C	ZENER DIODE	
D902	MTZJ12C	ZENER DIODE	
R503	NRSA02J-221X	MG RESISTOR	220Ω, 1/10W
R516	NRSA02J-0R0X	MG RESISTOR	0Ω, 1/10W
R517	NRSA02J-0R0X	MG RESISTOR	0Ω, 1/10W
R525	QRE141J-125Y	RESISTOR	1.2MΩ, 1/4W
R531	NRSA02J-101X	MG RESISTOR	100Ω, 1/10W
R532	NRSA02J-101X	MG RESISTOR	100Ω, 1/10W
R533	NRSA02J-101X	MG RESISTOR	100Ω, 1/10W
R534	NRSA02J-101X	MG RESISTOR	100Ω, 1/10W

# ▲ REF No.	PART No.	PART NAME, DESCRIPTION	
R535	NRSA02J-101X	MG RESISTOR	100Ω, 1/10W
R536	NRSA02J-101X	MG RESISTOR	100Ω, 1/10W
R901	NRSA02J-750X	MG RESISTOR	75Ω, 1/10W
R902	NRSA02J-750X	MG RESISTOR	75Ω, 1/10W
R903	NRSA02J-750X	MG RESISTOR	75Ω, 1/10W
R904	NRSA02J-102X	MG RESISTOR	1kΩ, 1/10W
R905	NQL402M-4R7X	COIL	4.7μH
R906	NQL402M-4R7X	COIL	4.7μH
R907	QQL231J-100Y	COIL	10μH
R908	QQL231J-100Y	COIL	10μH
R909	NRSA02J-0R0X	MG RESISTOR	0Ω, 1/10W
R910	NRSA02J-750X	MG RESISTOR	75Ω, 1/10W
R911	NRSA02J-750X	MG RESISTOR	75Ω, 1/10W
R912	NRSA02J-680X	MG RESISTOR	68Ω, 1/10W
R913	NRSA02J-101X	MG RESISTOR	100Ω, 1/10W
R914	NRSA02J-101X	MG RESISTOR	100Ω, 1/10W
R915	QQL231J-100Y	COIL	10μH
R916	QQL231J-100Y	COIL	10μH
R917	NRSA02J-472X	MG RESISTOR	4.7kΩ, 1/10W
R918	NRSA02J-333X	MG RESISTOR	33kΩ, 1/10W
R919	NRSA02J-103X	MG RESISTOR	10kΩ, 1/10W
R920	NRSA02J-0R0X	MG RESISTOR	0Ω, 1/10W
R921	NRSA02J-0R0X	MG RESISTOR	0Ω, 1/10W
R922	NRSA02J-101X	MG RESISTOR	100Ω, 1/10W
R923	NRSA02J-0R0X	MG RESISTOR	0Ω, 1/10W
R924	NRSA02J-471X	MG RESISTOR	470Ω, 1/10W
R925	NRSA02J-471X	MG RESISTOR	470Ω, 1/10W
R926	NRSA02J-101X	MG RESISTOR	100Ω, 1/10W
R927	NRSA02J-101X	MG RESISTOR	100Ω, 1/10W
R928	NRSA02J-101X	MG RESISTOR	100Ω, 1/10W
R929	NRSA02J-101X	MG RESISTOR	100Ω, 1/10W
R930	NRSA02J-101X	MG RESISTOR	100Ω, 1/10W
R931	NRSA02J-101X	MG RESISTOR	100Ω, 1/10W
R932	NRSA02J-472X	MG RESISTOR	4.7kΩ, 1/10W
R933	NRSA02J-682X	MG RESISTOR	6.8kΩ, 1/10W
R934	NRSA02J-102X	MG RESISTOR	1kΩ, 1/10W
R935	NRSA02J-561X	MG RESISTOR	560Ω, 1/10W
R936	NRSA02J-472X	MG RESISTOR	4.7kΩ, 1/10W
R937	NRSA02J-0R0X	MG RESISTOR	0Ω, 1/10W
R938	NRSA02J-272X	MG RESISTOR	2.7kΩ, 1/10W
R939	NRSA02J-332X	MG RESISTOR	3.3kΩ, 1/10W
R940	NRSA02J-153X	MG RESISTOR	15kΩ, 1/10W
R941	NRSA02J-103X	MG RESISTOR	10kΩ, 1/10W
R942	QRE121J-331Y	RESISTOR	330Ω, 1/2W
R943	NRSA02J-101X	MG RESISTOR	100Ω, 1/10W
R944	NRSA02J-101X	MG RESISTOR	100Ω, 1/10W
R945	QRE121J-391Y	RESISTOR	390Ω, 1/2W
R946	QRE121J-391Y	RESISTOR	390Ω, 1/2W
R947	NRSA02J-680X	MG RESISTOR	68Ω, 1/10W
R948	NRSA02J-750X	MG RESISTOR	75Ω, 1/10W
B551	NRSA02J-0R0X	MG RESISTOR	0Ω, 1/10W
B552	NRSA02J-0R0X	MG RESISTOR	0Ω, 1/10W
C501	QEKJ1HM-225	E CAPACITOR	2.2μF, 50V
C502	QEKJ1HM-475	E CAPACITOR	4.7μF, 50V
C503	QEKJ1HM-225	E CAPACITOR	2.2μF, 50V
C504	NCB21EK-104X	CAPACITOR	0.1μF, 25V
C506	NCB21HK-103X	CAPACITOR	0.01μF, 50V
C507	QEKJ0JM-476	E CAPACITOR	47μF, 6.3V
C508	QEKJ1HM-474	E CAPACITOR	0.47μF, 50V
C509	QEKJ1CM-106	E CAPACITOR	10μF, 16V
C510	QEKJ0JM-476	E CAPACITOR	47μF, 6.3V

#	△ REF No.	PART No.	PART NAME, DESCRIPTION	
C511		NCB21HK-103X	CAPACITOR	0.01μF,50V
C512		NCB21HK-103X	CAPACITOR	0.01μF,50V
C513		QEKJ1HM-475	E CAPACITOR	4.7μF,50V
C514		NCB21HK-103X	CAPACITOR	0.01μF,50V
C515		NCB21HK-103X	CAPACITOR	0.01μF,50V
C516		NCB21HK-103X	CAPACITOR	0.01μF,50V
C518		NCB21EK-104X	CAPACITOR	0.1μF,25V
C519		QEKJ1HM-225	E CAPACITOR	2.2μF,50V
C520		QEKJ1HM-475	E CAPACITOR	4.7μF,50V
C535		NCB21HK-103X	CAPACITOR	0.01μF,50V
C551		QEKJ1HM-105	E CAPACITOR	1μF,50V
C553		NCB21HK-103X	CAPACITOR	0.01μF,50V
C554		QEKJ1HM-105	E CAPACITOR	1μF,50V
C556		NCB21HK-103X	CAPACITOR	0.01μF,50V
C557		QEKJ1HM-105	E CAPACITOR	1μF,50V
C559		NCB21HK-103X	CAPACITOR	0.01μF,50V
C560		QEKJ1HM-105	E CAPACITOR	1μF,50V
C561		QEKJ1HM-105	E CAPACITOR	1μF,50V
C563		NCB21HK-103X	CAPACITOR	0.01μF,50V
C568		NDC21HJ-680X	CAPACITOR	68pF,50V
C569		NDC21HJ-680X	CAPACITOR	68pF,50V
C570		NDC21HJ-680X	CAPACITOR	68pF,50V
C571		NDC21HJ-680X	CAPACITOR	68pF,50V
C572		NDC21HJ-680X	CAPACITOR	68pF,50V
C573		NDC21HJ-680X	CAPACITOR	68pF,50V
C575		NDC21HJ-101X	CAPACITOR	100pF,50V
C901		NCB21HK-331X	CAPACITOR	330pF,50V
C902		NCB21HK-331X	CAPACITOR	330pF,50V
C903		NCB21HK-471X	CAPACITOR	470pF,50V
C905		NCB21HK-471X	CAPACITOR	470pF,50V
C907		NCB21HK-471X	CAPACITOR	470pF,50V
C908		NCB21HK-471X	CAPACITOR	470pF,50V
C909		NCB21HK-331X	CAPACITOR	330pF,50V
C910		NCB21HK-331X	CAPACITOR	330pF,50V
C911		NCB21HK-471X	CAPACITOR	470pF,50V
C912		NCB21HK-331X	CAPACITOR	330pF,50V
C913		NCB21HK-471X	CAPACITOR	470pF,50V
C914		NCB21HK-331X	CAPACITOR	330pF,50V
C915		NCB21HK-471X	CAPACITOR	470pF,50V
C916		NCB21HK-471X	CAPACITOR	470pF,50V
C921		NCB21HK-331X	CAPACITOR	330pF,50V
C922		NCB21HK-331X	CAPACITOR	330pF,50V
C925		NCB21HK-103X	CAPACITOR	0.01μF,50V
C926		NCB21HK-103X	CAPACITOR	0.01μF,50V
C929		NCB21HK-102X	CAPACITOR	0.001μF,50V
C930		NCB21HK-102X	CAPACITOR	0.001μF,50V
C931		QEKJ1CM-107	E CAPACITOR	100μF,16V
C934		NCB21HK-223X	CAPACITOR	0.022μF,50V
C935		NCB21HK-223X	CAPACITOR	0.022μF,50V
C937		NCB21HK-223X	CAPACITOR	0.022μF,50V
C938		NDC21HJ-330X	CAPACITOR	33pF,50V
C939		NCB21EK-104X	CAPACITOR	0.1μF,25V
C940		NCB21HK-223X	CAPACITOR	0.022μF,50V
C942		NCB21HK-103X	CAPACITOR	0.01μF,50V
C943		QEKJ0JM-476	E CAPACITOR	47μF,6.3V
C944		QEKJ1CM-106	E CAPACITOR	10μF,16V
C945		QEKJ1CM-106	E CAPACITOR	10μF,16V
C946		QEKJ0JM-476	E CAPACITOR	47μF,6.3V
C947		QEKJ0JM-476	E CAPACITOR	47μF,6.3V
C949		QEKJ0JM-227	E CAPACITOR	220μF,6.3V
C950		NCB21EK-104X	CAPACITOR	0.1μF,25V

#	△ REF No.	PART No.	PART NAME, DESCRIPTION	
C951		QEKJ1CM-476	E CAPACITOR	47μF,16V
C952		NCB21HK-103X	CAPACITOR	0.01μF,50V
C953		NCB21HK-103X	CAPACITOR	0.01μF,50V
C954		QEKJ0JM-227	E CAPACITOR	220μF,6.3V
C955		QEKJ0JM-337	E CAPACITOR	330μF,6.3V
L501		QQL29BJ-100Z	COIL	10μH
L503		QQL29BJ-100Z	COIL	10μH
L505		QUY153-050Y	IM BUS WIRE	
L901		QQL071J-4R7Y	COIL	4.7μH
L902		QQL071J-4R7Y	COIL	4.7μH
L903		QQL071J-4R7Y	COIL	4.7μH
L904		QQL071J-4R7Y	COIL	4.7μH
L905		QQL071J-1R0Y	COIL	1.0μH
L906		QQL071J-4R7Y	COIL	4.7μH
L907		QQL071J-4R7Y	COIL	4.7μH
L908		QQL071J-4R7Y	COIL	4.7μH
L909		QQL071J-4R7Y	COIL	4.7μH
L910		QQL231J-R22Y	COIL	0.22μH
L911		QQL071J-150Y	COIL	15μH
L912		QQL071J-150Y	COIL	15μH
L913		QUY153-050Y	IM BUS WIRE	
L916		QQL071J-1R0Y	COIL	1.0μH
L919		QUY153-050Y	IM BUS WIRE	
ET1		LP30918-001A	EARTH PLATE	
ET2		LP30915-002A	EARTH PLATE	
OT1		QYTDSF3010Z	SCREW,X4	
OT2		QYTDSF3010Z	SCREW,X4	
△ TB1		LP10414-001A	TERMINAL BOARD	
J901		PEMC1177	RGB21PIN SOCKET,AV2	
J902		PEMC1177	RGB21PIN SOCKET,AV1	
J903		QNN0023-003	PIN JACK,A.OUT(L)	
J904		QNN0023-002	PIN JACK,A.OUT(R)	
J905		PU60659	MINI JACK,SAT.CTL	
J906		QND0084-001	S JACK,S OUT	
CN502		QGF1208F1-15	FPC CONNECTOR,(1-15)VHS MAIN	
CN503		QGB2024J1-09S	CONNECTOR,(1-9)VHS MAIN	
CN504		QGB2024J1-10S	CONNECTOR,(1-10)VHS MAIN	
CN505		QGB2024J1-12S	CONNECTOR,(1-12)VHS MAIN	
CN506		QGB2024J1-11S	CONNECTOR,(1-11)VHS MAIN	
CN901		QGF1208F1-09	FPC CONNECTOR,(1-9)VHS MAIN	
CN902		QGB2024J1-09S	CONNECTOR,(1-9)VHS MAIN	

A/C HEAD BOARD ASSEMBLY <12>

PW1	LP10122-01A1	A/C HEAD BOARD ASSY
CN1	QGF1208F1-07	FPC CONNECTOR

DEMOD BOARD ASSEMBLY <14>

PW1	LPA10094-04A	DEMOD BOARD ASSY
IC6701	MSP3417D	IC
	or MSP3417DG3	IC
	or MSP3417G	IC

#	REF No.	PART No.	PART NAME, DESCRIPTION
Q6701		2SC3936/BC-X	TRANSISTOR
D6701		1SS133	DIODE
		or 1N4148M	DIODE
R6701		NRSA02J-392X	MG RESISTOR 3.9kΩ,1/10W
R6702		NRSA02J-682X	MG RESISTOR 6.8kΩ,1/10W
R6703		NRSA02J-470X	MG RESISTOR 47Ω,1/10W
R6704		NRSA02J-102X	MG RESISTOR 1kΩ,1/10W
R6705		NRSA02J-271X	MG RESISTOR 270Ω,1/10W
R6706		NRSA02J-101X	MG RESISTOR 100Ω,1/10W
R6707		NQR0200-003X	FERRITE BEAD
R6708		NQR0200-003X	FERRITE BEAD
R6709		NQR0200-003X	FERRITE BEAD
R6710		NQR0200-003X	FERRITE BEAD
R6711		NRSA02J-684X	MG RESISTOR 680kΩ,1/10W
R6712		NRSA02J-102X	MG RESISTOR 1kΩ,1/10W
R6714		NRSA02J-102X	MG RESISTOR 1kΩ,1/10W
R6716		NQR0200-003X	FERRITE BEAD
R6719		QRE141J-103Y	RESISTOR 10kΩ,1/4W
R6720		NRSA02J-562X	MG RESISTOR 5.6kΩ,1/10W
R6721		NRSA02J-562X	MG RESISTOR 5.6kΩ,1/10W
C6701		NCB21HK-103X	CAPACITOR 0.01μF,50V
C6704		NCB21HK-103X	CAPACITOR 0.01μF,50V
C6705		NCB21HK-102X	CAPACITOR 0.001μF,50V
C6707		NDC21HJ-470X	CAPACITOR 47pF,50V
C6708		NDC21HJ-7R0X	CAPACITOR 7pF,50V
C6709		NDC21HJ-3R0X	CAPACITOR 3pF,50V
C6713		NCF21CZ-224X	CAPACITOR 0.22μF,16V
C6714		NCB21HK-222X	CAPACITOR 0.0022μF,50V
C6715		QEKJ1HM-225	E CAPACITOR 2.2μF,50V
C6716		NCB21HK-222X	CAPACITOR 0.0022μF,50V
C6717		QEKJ1HM-225	E CAPACITOR 2.2μF,50V
C6719		QEKJ1EM-106	E CAPACITOR 10μF,25V
C6720		QEKJ1EM-106	E CAPACITOR 10μF,25V
C6721		NCB21HK-103X	CAPACITOR 0.01μF,50V
C6723		NCB21HK-103X	CAPACITOR 0.01μF,50V
L6701		QUY153-050Y	IM BUS WIRE
L6702		QQL231J-3R3Y	COIL 3.3μH
X6701		QAX0443-001	CRYSTAL RESONATOR
K6701		NRSA02J-330X	MG RESISTOR 33Ω,1/10W
K6702		NQR0200-003X	FERRITE BEAD
K6703		NRSA02J-102X	MG RESISTOR 1kΩ,1/10W
K6704		NRSA02J-102X	MG RESISTOR 1kΩ,1/10W
K6705		NRSA02J-100X	MG RESISTOR 10Ω,1/10W
K6706		NRSA02J-470X	MG RESISTOR 47Ω,1/10W
BK1		LP40425-001A	BRACKET(BOARD)
CN6701		QGG2502K1-10	HEADER PIN

POWER SW BOARD ASSEMBLY <27>

PW2	LPA10150-01B2	POWER BOARD ASSY
S7001	QSW0456-002Z	TACT SWITCH,POWER
S7014	QSW0456-002Z	TACT SWITCH,DV EJECT

#	REF No.	PART No.	PART NAME, DESCRIPTION

SW/DISPLAY BOARD ASSEMBLY <28>

PW1	LPA10150-01B1	SW/DISPLAY BOARD ASSY
IC7001	M35500BFP	IC
	or M35500BGP	IC
	or M35500AGP	IC
IC7002	GP1U281X	IR DETECT UNIT
	or PNA4652M00XB	IR DETECT UNIT
D7002	RD9.1ES/B2/-T2	ZENER DIODE
	or MTZJ9.1B	ZENER DIODE
D7004	1SS133	DIODE
	or 1SS270A	DIODE
D7005	1SS133	DIODE
	or 1SS270A	DIODE
D7006	1SS133	DIODE
	or 1SS270A	DIODE
D7009	SLR-342DC3F	LE DIODE
D7010	SLR-342MC3F	LE DIODE
D7011	SLR-342VC3F	LE DIODE
D7012	SLR-342DC3F	LE DIODE
D7013	SLR-342MC3F	LE DIODE
D7014	SLR-342VC3F	LE DIODE
D7015	SLR-342MC3F	LE DIODE
D7016	SLR-342MC3F	LE DIODE
R7001	QRE141J-471Y	RESISTOR 470Ω,1/4W
R7002	QRE141J-471Y	RESISTOR 470Ω,1/4W
R7003	QRE141J-471Y	RESISTOR 470Ω,1/4W
R7004	QRE141J-471Y	RESISTOR 470Ω,1/4W
R7006	QRE141J-103Y	RESISTOR 10kΩ,1/4W
R7007	QRE141J-103Y	RESISTOR 10kΩ,1/4W
R7008	QRE141J-103Y	RESISTOR 10kΩ,1/4W
R7013	QRE141J-103Y	RESISTOR 10kΩ,1/4W
R7014	QRE141J-0R0Y	RESISTOR 0Ω,1/4W
R7015	QRE141J-0R0Y	RESISTOR 0Ω,1/4W
R7020	QRE141J-103Y	RESISTOR 10kΩ,1/4W
R7021	QRE141J-122Y	RESISTOR 1.2kΩ,1/4W
R7022	QRE141J-182Y	RESISTOR 1.8kΩ,1/4W
R7023	QRE141J-222Y	RESISTOR 2.2kΩ,1/4W
R7024	QRE141J-272Y	RESISTOR 2.7kΩ,1/4W
R7025	QRE141J-472Y	RESISTOR 4.7kΩ,1/4W
R7026	QRE141J-682Y	RESISTOR 6.8kΩ,1/4W
R7027	QRE141J-153Y	RESISTOR 15kΩ,1/4W
R7028	QRE141J-393Y	RESISTOR 39kΩ,1/4W
R7030	QRE141J-103Y	RESISTOR 10kΩ,1/4W
R7031	QRE141J-122Y	RESISTOR 1.2kΩ,1/4W
R7032	QRE141J-182Y	RESISTOR 1.8kΩ,1/4W
R7033	QRE141J-222Y	RESISTOR 2.2kΩ,1/4W
R7034	QRE141J-272Y	RESISTOR 2.7kΩ,1/4W
R7035	QRE141J-472Y	RESISTOR 4.7kΩ,1/4W
R7036	QRE141J-682Y	RESISTOR 6.8kΩ,1/4W
R7037	QRE141J-153Y	RESISTOR 15kΩ,1/4W
R7038	QRE141J-393Y	RESISTOR 39kΩ,1/4W
R7040	QRE141J-103Y	RESISTOR 10kΩ,1/4W
R7041	QRE141J-122Y	RESISTOR 1.2kΩ,1/4W
R7042	QRE141J-182Y	RESISTOR 1.8kΩ,1/4W
R7051	QRE141J-331Y	RESISTOR 330Ω,1/4W
R7052	QRE141J-331Y	RESISTOR 330Ω,1/4W
R7053	QRE141J-331Y	RESISTOR 330Ω,1/4W
R7054	QRE141J-331Y	RESISTOR 330Ω,1/4W

#	△ REF No.	PART No.	PART NAME, DESCRIPTION
R7055		QRE141J-331Y	RESISTOR 330Ω,1/4W
R7056		QRE141J-331Y	RESISTOR 330Ω,1/4W
R7057		QRE141J-331Y	RESISTOR 330Ω,1/4W
R7058		QRE141J-331Y	RESISTOR 330Ω,1/4W
R7191		QRE141J-750Y	RESISTOR 75Ω,1/4W
R7192		QUY153-050Y	IM BUS WIRE
R7193		QRE141J-750Y	RESISTOR 75Ω,1/4W
R7194		QRE141J-750Y	RESISTOR 75Ω,1/4W
B7001		QUY153-050Y	IM BUS WIRE
C7001		QCFB1HZ-104	CAPACITOR 0.1μF,50V
C7007		QERF0JM-476	E CAPACITOR 47μF,6.3V
C7010		QCFB1HZ-104	CAPACITOR 0.1μF,50V
C7011		QEKJ0JM-227	E CAPACITOR 220μF,6.3V
C7019		QDVB1EZ-223Y	CAPACITOR 0.022μF,25V
C7023		QERF1HM-106	E CAPACITOR 10μF,50V
C7192		QCBB1HK-681	CAPACITOR 680pF,50V
C7194		QCBB1HK-681	CAPACITOR 680pF,50V
C7196		QDYB1CM-103Y	CAPACITOR 0.01μF,16V
L7001		QQL29BK-1R0Z	COIL 1.0μH
L7002		QUY153-050Y	IM BUS WIRE
L7191		QRE141J-101Y	RESISTOR 100Ω,1/4W
L7192		QRE141J-101Y	RESISTOR 100Ω,1/4W
L7193		QUY153-050Y	IM BUS WIRE
L7194		QUY153-050Y	IM BUS WIRE
DI7001		QLF0031-002	FL TUBE
HD1		PQ34949	FDP HOLDER(L),DI7001
HD2		PQ34950	FDP HOLDER(R),DI7001
HD3		PQM30038-2-2	LED HOLDER,D7009
HD4		PQM30038-2-2	LED HOLDER,D7010
HD5		PQM30038-2-2	LED HOLDER,D7011
HD6		PQM30038-2-2	LED HOLDER,D7012
HD7		PQM30038-2-2	LED HOLDER,D7013
HD8		PQM30038-2-2	LED HOLDER,D7014
HD9		PQM30038-2-2	LED HOLDER,D7015
HD10		PQM30038-2-2	LED HOLDER,D7016
S7004		QSW0456-002Z	TACT SWITCH,REC
S7005		QSW0456-002Z	TACT SWITCH,PAUSE
S7006		QSW0456-002Z	TACT SWITCH,PLAY
S7007		QSW0456-002Z	TACT SWITCH,STOP
S7008		QSW0456-001Z	TACT SWITCH,I-O/R-SPD
S7009		QSW0456-001Z	TACT SWITCH,ST/CANCEL
S7010		QSW0456-002Z	TACT SWITCH,DV/HDD
S7011		QSW0456-002Z	TACT SWITCH,VHS EJECT
S7012		QSW0456-002Z	TACT SWITCH,EXP.T/MENU
S7013		QSW0456-002Z	TACT SWITCH,VHS
S7015		QSW0456-001Z	TACT SWITCH,RAE/SUMBNL
S7016		QSW0456-001Z	TACT SWITCH,INS/R-LINK
S7017		QSW0456-001Z	TACT SWITCH,A.DUB
S7021		QSW0456-002Z	TACT SWITCH,DV>VHS/REW
S7022		QSW0456-002Z	TACT SWITCH,DV<VHS/FF
S7023		QSW0456-002Z	TACT SWITCH,DUB
FW7001		QUM023-12A4A4	P.R.WIRE,(1-3)POWER SW
FW7003		QUM024-08A4A4	P.R.WIRE,(1-4)JOG
J7191		QNN0371-004	PIN JACK,FRONT V IN
J7192		QNN0371-003	PIN JACK,FRONT L IN
J7193		QNN0372-002	PIN JACK,FRONT R IN
J7194		QND0085-001	S JACK,FRONT S IN
J7195		PU60659	MINI JACK,PAUSE
CN7001		QGF1201C1-20	FPC CONNECTOR,(1-20)VHS MAIN
CN7191		QGF1201F1-10	FPC CONNECTOR,(1-10)VHS MAIN

#	△ REF No.	PART No.	PART NAME, DESCRIPTION

DV MAIN BOARD ASSEMBLY <50>			
PW1		LPA10165-01C	DV MAIN PWB ASSY
IC1001		MM1561JF	IC
IC1002		MM1572FN	IC
IC1003		MM1573AN	IC
IC1004		MM1572KN	IC
IC1005		S-80823ANNP-W	IC
IC1501		MN103004KFF	IC
		or MN1030F04KHFFF	IC
IC1502		TC7W14FK	IC
IC1503		TC7W04FU	IC(DIGITAL)
IC1504		25LC040-I/SN-X	IC
IC2001		JCY0176	IC
IC2002		JCY0136	IC
IC2007		TLC2940IPW	IC
IC3001		JCP8029	IC
IC3101		TC7SH04F	IC(DIGITAL)
IC3102		TC7SH04F	IC(DIGITAL)
IC3151		M62366GP	IC
IC3501		NJM2538V	IC
IC3701		AK4518-VF-X	IC
IC3702		BA15218F-XE	IC
IC3703		BA15218F-XE	IC
IC4001		JCY0132	IC
IC4002		TC7SH00FU	IC(DIGITAL)
Q1001		2SB1302/ST/-X	TRANSISTOR
Q1002		DTC144EE	TRANSISTOR
Q1003		2SB1302/ST/-X	TRANSISTOR
Q1004		DTC144EE	TRANSISTOR
Q1005		2SB1302/ST/-X	TRANSISTOR
Q1006		DTC144EE	TRANSISTOR
Q1007		2SB1302/ST/-X	TRANSISTOR
Q1008		DTC144EE	TRANSISTOR
Q1501		2SC4617/RS/-X	TRANSISTOR
Q1502		2SC4617/RS/-X	TRANSISTOR
Q1511		DTA114EE	TRANSISTOR
Q1512		UMC3N	TRANSISTOR
Q1513		UMC3N	TRANSISTOR
Q3101		2SA1576A/RS/-X	TRANSISTOR
Q3102		2SA1576A/RS/-X	TRANSISTOR
Q3111		2SA1576A/RS/-X	TRANSISTOR
Q3112		HN1B04FU/YG/-X	PAIR TRANSISTOR
Q3113		2SC4081/RS/-X	TRANSISTOR
Q3114		2SC4081/S/-X	TRANSISTOR
Q3115		DTC144EE	TRANSISTOR
Q3131		2SA1576A/RS/-X	TRANSISTOR
Q3132		HN1B04FU/YG/-X	PAIR TRANSISTOR
Q3133		2SC4081/RS/-X	TRANSISTOR
Q3135		DTC144EE	TRANSISTOR
Q3501		DTC144EE	TRANSISTOR
Q3502		2SA1576A/RS/-X	TRANSISTOR
Q3503		2SA1576A/RS/-X	TRANSISTOR
D1501		SB007W03Q	SB DIODE
D1502		SB007W03Q	SB DIODE
D1503		SB007W03Q	SB DIODE
D2002		EC2C01C	VARI CAP DIODE
D2003		EC2C01C	VARI CAP DIODE
D2004		EC2C01C	VARI CAP DIODE

#	▲	REF No.	PART No.	PART NAME, DESCRIPTION	#	▲	REF No.	PART No.	PART NAME, DESCRIPTION
R1001			NRSA63J-103X	MG RESISTOR 10kΩ,1/16W	R2016			NRSA63J-105X	MG RESISTOR 1MΩ,1/16W
R1002			NRSA63J-102X	MG RESISTOR 1kΩ,1/16W	R2017			NRSA63J-0R0X	MG RESISTOR 0Ω,1/16W
R1003			NRSA63J-103X	MG RESISTOR 10kΩ,1/16W	R2018			NRSA63J-562X	MG RESISTOR 5.6kΩ,1/16W
R1004			NRSA63J-102X	MG RESISTOR 1kΩ,1/16W	R2019			NRSA63J-222X	MG RESISTOR 2.2kΩ,1/16W
R1005			NRSA63J-103X	MG RESISTOR 10kΩ,1/16W	R2020			NRSA63J-222X	MG RESISTOR 2.2kΩ,1/16W
R1006			NRSA63J-271X	MG RESISTOR 270Ω,1/16W	R2021			NRSA63J-102X	MG RESISTOR 1kΩ,1/16W
R1007			NRSA63J-103X	MG RESISTOR 10kΩ,1/16W	R2022			NRSA63J-103X	MG RESISTOR 10kΩ,1/16W
R1008			NRSA63J-271X	MG RESISTOR 270Ω,1/16W	R2023			NRSA63J-103X	MG RESISTOR 10kΩ,1/16W
R1009			NRSA63J-104X	MG RESISTOR 100kΩ,1/16W	R2027			NRSA63J-224X	MG RESISTOR 220kΩ,1/16W
R1501			NRSA63J-0R0X	MG RESISTOR 0Ω,1/16W	R2032			NRSA63J-0R0X	MG RESISTOR 0Ω,1/16W
R1502			NRSA63J-102X	MG RESISTOR 1kΩ,1/16W	R2033			NRSA63J-242X	MG RESISTOR 2.4kΩ,1/16W
R1505			NRSA63J-472X	MG RESISTOR 4.7kΩ,1/16W	R2034			NRSA63J-392X	MG RESISTOR 3.9kΩ,1/16W
R1506			NRSA63J-102X	MG RESISTOR 1kΩ,1/16W	R2035			NRSA63J-392X	MG RESISTOR 3.9kΩ,1/16W
R1507			NRSA63J-222X	MG RESISTOR 2.2kΩ,1/16W	R2036			NRSA63J-560X	MG RESISTOR 56Ω,1/16W
R1508			NRSA63J-222X	MG RESISTOR 2.2kΩ,1/16W	R2037			NRSA63J-560X	MG RESISTOR 56Ω,1/16W
R1509			NRSA63J-0R0X	MG RESISTOR 0Ω,1/16W	R2038			NRSA63J-560X	MG RESISTOR 56Ω,1/16W
R1516			NRSA63J-332X	MG RESISTOR 3.3kΩ,1/16W	R2039			NRSA63J-560X	MG RESISTOR 56Ω,1/16W
R1517			NRSA63J-202X	MG RESISTOR 2kΩ,1/16W	R2040			NRSA63J-512X	MG RESISTOR 5.1kΩ,1/16W
R1518			NRSA63J-332X	MG RESISTOR 3.3kΩ,1/16W	R2041			NRSA63J-103X	MG RESISTOR 10kΩ,1/16W
R1519			NRSA63J-332X	MG RESISTOR 3.3kΩ,1/16W	R2042			NRSA63J-103X	MG RESISTOR 10kΩ,1/16W
R1520			NRSA63J-332X	MG RESISTOR 3.3kΩ,1/16W	R2043			NRSA63J-105X	MG RESISTOR 1MΩ,1/16W
R1521			NRSA63J-102X	MG RESISTOR 1kΩ,1/16W	R2044			NRSA63J-0R0X	MG RESISTOR 0Ω,1/16W
R1522			NRSA63J-102X	MG RESISTOR 1kΩ,1/16W	R2047			NRSA63J-224X	MG RESISTOR 220kΩ,1/16W
R1531			NRSA63J-332X	MG RESISTOR 3.3kΩ,1/16W	R2048			NRSA63J-224X	MG RESISTOR 220kΩ,1/16W
R1532			NRSA63J-332X	MG RESISTOR 3.3kΩ,1/16W	R2050			NRSA63J-222X	MG RESISTOR 2.2kΩ,1/16W
R1533			NRSA63J-332X	MG RESISTOR 3.3kΩ,1/16W	R2052			NRSA63J-0R0X	MG RESISTOR 0Ω,1/16W
R1534			NRSA63J-332X	MG RESISTOR 3.3kΩ,1/16W	R2071			NRSA63J-472X	MG RESISTOR 4.7kΩ,1/16W
R1535			NRSA63J-472X	MG RESISTOR 4.7kΩ,1/16W	R2073			NRSA63J-561X	MG RESISTOR 560Ω,1/16W
R1536			NRSA63J-104X	MG RESISTOR 100kΩ,1/16W	R2087			NRSA63J-105X	MG RESISTOR 1MΩ,1/16W
R1541			NRSA63J-103X	MG RESISTOR 10kΩ,1/16W	R2090			NRSA63J-102X	MG RESISTOR 1kΩ,1/16W
R1542			NRSA63J-103X	MG RESISTOR 10kΩ,1/16W	R2091			NRSA63J-102X	MG RESISTOR 1kΩ,1/16W
R1543			NRSA63J-103X	MG RESISTOR 10kΩ,1/16W	R2092			NRSA63J-102X	MG RESISTOR 1kΩ,1/16W
R1545			NRSA63J-0R0X	MG RESISTOR 0Ω,1/16W	R2093			NRSA63J-102X	MG RESISTOR 1kΩ,1/16W
R1551			NRSA63J-102X	MG RESISTOR 1kΩ,1/16W	R2094			NRSA63J-102X	MG RESISTOR 1kΩ,1/16W
R1552			NRSA63J-102X	MG RESISTOR 1kΩ,1/16W	R2098			NRSA63J-0R0X	MG RESISTOR 0Ω,1/16W
R1553			NRSA63J-102X	MG RESISTOR 1kΩ,1/16W	R2140			NRSA63J-0R0X	MG RESISTOR 0Ω,1/16W
R1554			NRSA63J-102X	MG RESISTOR 1kΩ,1/16W	R2141			NRSA63J-102X	MG RESISTOR 1kΩ,1/16W
R1555			NRSA63J-102X	MG RESISTOR 1kΩ,1/16W	R2142			NRSA63J-102X	MG RESISTOR 1kΩ,1/16W
R1561			NRSA63J-104X	MG RESISTOR 100kΩ,1/16W	R2145			NRSA63J-561X	MG RESISTOR 560Ω,1/16W
R1581			NRSA63J-473X	MG RESISTOR 47kΩ,1/16W	R2146			NRSA63J-392X	MG RESISTOR 3.9kΩ,1/16W
R1582			NRSA63J-103X	MG RESISTOR 10kΩ,1/16W	R2149			NRSA63J-0R0X	MG RESISTOR 0Ω,1/16W
R1583			NRSA63J-472X	MG RESISTOR 4.7kΩ,1/16W	R2150			NRSA63J-222X	MG RESISTOR 2.2kΩ,1/16W
R1584			NRSA63J-103X	MG RESISTOR 10kΩ,1/16W	R2161			NRSA63J-0R0X	MG RESISTOR 0Ω,1/16W
R1585			NRSA63J-472X	MG RESISTOR 4.7kΩ,1/16W	R3003			NRSA63J-821X	MG RESISTOR 820Ω,1/16W
R1586			NRSA63J-472X	MG RESISTOR 4.7kΩ,1/16W	R3004			NRSA63J-271X	MG RESISTOR 270Ω,1/16W
R1601			NRSA63J-331X	MG RESISTOR 330Ω,1/16W	R3005			NRSA63J-101X	MG RESISTOR 100Ω,1/16W
R1605			NRSA63J-0R0X	MG RESISTOR 0Ω,1/16W	R3008			NRSA63J-152X	MG RESISTOR 1.5kΩ,1/16W
R1611			NRSA63J-101X	MG RESISTOR 100Ω,1/16W	R3048			NRSA63J-0R0X	MG RESISTOR 0Ω,1/16W
R1612			NRSA63J-100X	MG RESISTOR 10Ω,1/16W	R3054			NRSA63J-0R0X	MG RESISTOR 0Ω,1/16W
R1613			NRSA63J-330X	MG RESISTOR 33Ω,1/16W	R3073			NRSA63J-272X	MG RESISTOR 2.7kΩ,1/16W
R1614			NRSA63J-683X	MG RESISTOR 68kΩ,1/16W	R3074			NRSA63J-821X	MG RESISTOR 820Ω,1/16W
R1615			NRSA63J-683X	MG RESISTOR 68kΩ,1/16W	R3075			NRSA63J-221X	MG RESISTOR 220Ω,1/16W
R1616			NRSA63J-102X	MG RESISTOR 1kΩ,1/16W	R3076			NRSA63J-101X	MG RESISTOR 100Ω,1/16W
R1617			NRSA63J-102X	MG RESISTOR 1kΩ,1/16W	R3078			NRSA63J-152X	MG RESISTOR 1.5kΩ,1/16W
R1621			NRSA63J-103X	MG RESISTOR 10kΩ,1/16W	R3079			NRSA63J-272X	MG RESISTOR 2.7kΩ,1/16W
R1622			NRSA63J-103X	MG RESISTOR 10kΩ,1/16W	R3081			NRSA63J-221X	MG RESISTOR 220Ω,1/16W
R1625			NRSA63J-103X	MG RESISTOR 10kΩ,1/16W	R3102			NRSA63J-102X	MG RESISTOR 1kΩ,1/16W
R2011			NRSA63J-151X	MG RESISTOR 150Ω,1/16W	R3103			NRSA63J-331X	MG RESISTOR 330Ω,1/16W
R2012			NRSA63J-302X	MG RESISTOR 3kΩ,1/16W	R3105			NRSA63J-102X	MG RESISTOR 1kΩ,1/16W
R2013			NRSA63J-151X	MG RESISTOR 150Ω,1/16W	R3106			NRSA63J-271X	MG RESISTOR 270Ω,1/16W
R2014			NRSA63J-302X	MG RESISTOR 3kΩ,1/16W	R3111			NRSA63J-563X	MG RESISTOR 56kΩ,1/16W

#	△ REF No.	PART No.	PART NAME, DESCRIPTION	#	△ REF No.	PART No.	PART NAME, DESCRIPTION
R3112		NRSA63J-473X	MG RESISTOR 47kΩ,1/16W	R3704		NRSA63J-822X	MG RESISTOR 8.2kΩ,1/16W
R3113		NRSA63J-220X	MG RESISTOR 22Ω,1/16W	R3709		NRSA63J-100X	MG RESISTOR 10Ω,1/16W
R3114		NRSA63J-681X	MG RESISTOR 680Ω,1/16W	R3711		NRSA63J-302X	MG RESISTOR 3kΩ,1/16W
R3115		NRSA63J-821X	MG RESISTOR 820Ω,1/16W	R3712		NRSA63J-302X	MG RESISTOR 3kΩ,1/16W
R3116		NRSA63J-103X	MG RESISTOR 10kΩ,1/16W	R3713		NRSA63J-102X	MG RESISTOR 1kΩ,1/16W
R3117		NRSA63J-222X	MG RESISTOR 2.2kΩ,1/16W	R3714		NRSA63J-102X	MG RESISTOR 1kΩ,1/16W
R3118		NRSA63J-473X	MG RESISTOR 47kΩ,1/16W	R3716		NRSA63J-103X	MG RESISTOR 10kΩ,1/16W
R3119		NRSA63J-563X	MG RESISTOR 56kΩ,1/16W	R3717		NRSA63J-103X	MG RESISTOR 10kΩ,1/16W
R3120		NRSA63J-681X	MG RESISTOR 680Ω,1/16W	R3719		NRSA63J-102X	MG RESISTOR 1kΩ,1/16W
R3121		NRVA63D-821X	CMF RESISTOR 820Ω,1/16W	R3720		NRSA63J-102X	MG RESISTOR 1kΩ,1/16W
R3122		NRVA63D-821X	CMF RESISTOR 820Ω,1/16W	R3721		NRSA63J-221X	MG RESISTOR 220Ω,1/16W
R3123		NRSA63J-271X	MG RESISTOR 270Ω,1/16W	R3722		NRSA63J-222X	MG RESISTOR 2.2kΩ,1/16W
R3124		NRSA63J-474X	MG RESISTOR 470kΩ,1/16W	R3723		NRSA63J-102X	MG RESISTOR 1kΩ,1/16W
R3125		NRSA63J-331X	MG RESISTOR 330Ω,1/16W	R3726		NRSA63J-102X	MG RESISTOR 1kΩ,1/16W
R3131		NRSA63J-563X	MG RESISTOR 56kΩ,1/16W	R3727		NRSA63J-222X	MG RESISTOR 2.2kΩ,1/16W
R3132		NRSA63J-473X	MG RESISTOR 47kΩ,1/16W	R3728		NRSA63J-221X	MG RESISTOR 220Ω,1/16W
R3133		NRSA63J-220X	MG RESISTOR 22Ω,1/16W	R3740		NRSA63J-221X	MG RESISTOR 220Ω,1/16W
R3134		NRSA63J-681X	MG RESISTOR 680Ω,1/16W	R4001		NRSA63J-471X	MG RESISTOR 470Ω,1/16W
R3135		NRSA63J-821X	MG RESISTOR 820Ω,1/16W	R4002		NRSA63J-104X	MG RESISTOR 100kΩ,1/16W
R3136		NRSA63J-183X	MG RESISTOR 18kΩ,1/16W	R4003		NRSA63J-102X	MG RESISTOR 1kΩ,1/16W
R3137		NRSA63J-222X	MG RESISTOR 2.2kΩ,1/16W	R4004		NRSA63J-241X	MG RESISTOR 240Ω,1/16W
R3138		NRSA63J-473X	MG RESISTOR 47kΩ,1/16W	R4005		NRSA63J-241X	MG RESISTOR 240Ω,1/16W
R3139		NRSA63J-393X	MG RESISTOR 39kΩ,1/16W	R4006		NRSA63J-241X	MG RESISTOR 240Ω,1/16W
R3140		NRSA63J-681X	MG RESISTOR 680Ω,1/16W	R4007		NRSA63J-241X	MG RESISTOR 240Ω,1/16W
R3141		NRVA63D-821X	CMF RESISTOR 820Ω,1/16W	R4008		NRSA63J-223X	MG RESISTOR 22kΩ,1/16W
R3142		NRSA63J-122X	MG RESISTOR 1.2kΩ,1/16W	R4009		NRSA63J-472X	MG RESISTOR 4.7kΩ,1/16W
R3143		NRSA63J-271X	MG RESISTOR 270Ω,1/16W	R4010		NRSA63J-223X	MG RESISTOR 22kΩ,1/16W
R3161		NRSA63J-105X	MG RESISTOR 1MΩ,1/16W	R4021		NRSA63J-0R0X	MG RESISTOR 0Ω,1/16W
R3162		NRSA63J-101X	MG RESISTOR 100Ω,1/16W	RA1505		NRZ0040-102X	NET RESISTOR
R3163		NRSA63J-105X	MG RESISTOR 1MΩ,1/16W	RA1506		NRZ0040-102X	NET RESISTOR
R3164		NRSA63J-101X	MG RESISTOR 100Ω,1/16W	RA1507		NRZ0040-102X	NET RESISTOR
R3165		NRSA63J-101X	MG RESISTOR 100Ω,1/16W	RA1508		NRZ0040-102X	NET RESISTOR
R3501		NRSA63J-225X	MG RESISTOR 2.2MΩ,1/16W	RA1509		NRZ0040-102X	NET RESISTOR
R3502		NRSA63J-103X	MG RESISTOR 10kΩ,1/16W	RA1510		NRZ0040-473X	NET RESISTOR
R3503		NRSA63J-103X	MG RESISTOR 10kΩ,1/16W	C1001		NEA70JM-107X	E CAPACITOR 100μF,6.3V
R3504		NRSA63J-121X	MG RESISTOR 120Ω,1/16W	C1002		NCB31CK-104X	CAPACITOR 0.1μF,16V
R3506		NRSA63J-680X	MG RESISTOR 68Ω,1/16W	C1003		NEA70JM-107X	E CAPACITOR 100μF,6.3V
R3508		NRSA63J-680X	MG RESISTOR 68Ω,1/16W	C1004		NCB31CK-104X	CAPACITOR 0.1μF,16V
R3510		NRSA63J-121X	MG RESISTOR 120Ω,1/16W	C1005		NEA70JM-107X	E CAPACITOR 100μF,6.3V
R3512		NRSA63J-103X	MG RESISTOR 10kΩ,1/16W	C1006		NCB31CK-104X	CAPACITOR 0.1μF,16V
R3515		NRSA63J-680X	MG RESISTOR 68Ω,1/16W	C1007		NCF21CZ-105X	CAPACITOR 1μF,16V
R3516		NRSA63J-0R0X	MG RESISTOR 0Ω,1/16W	C1008		NCF21CZ-105X	CAPACITOR 1μF,16V
R3521		NRSA63J-621X	MG RESISTOR 620Ω,1/16W	C1009		NCF21CZ-105X	CAPACITOR 1μF,16V
R3522		NRSA63J-472X	MG RESISTOR 4.7kΩ,1/16W	C1010		NCB31CK-104X	CAPACITOR 0.1μF,16V
R3523		NRSA63J-103X	MG RESISTOR 10kΩ,1/16W	C1011		NCB31CK-104X	CAPACITOR 0.1μF,16V
R3524		NRSA63J-102X	MG RESISTOR 1kΩ,1/16W	C1012		NCF21CZ-105X	CAPACITOR 1μF,16V
R3526		NRSA63J-681X	MG RESISTOR 680Ω,1/16W	C1014		NBE21AM-106X	T CAPACITOR 10μF,10V
R3527		NRSA63J-472X	MG RESISTOR 4.7kΩ,1/16W	C1015		NCF21CZ-105X	CAPACITOR 1μF,16V
R3528		NRSA63J-103X	MG RESISTOR 10kΩ,1/16W	C1016		NCF21CZ-105X	CAPACITOR 1μF,16V
R3529		NRSA63J-102X	MG RESISTOR 1kΩ,1/16W	C1017		NCB31EK-103X	CAPACITOR 0.01μF,25V
R3533		NRSA63J-203X	MG RESISTOR 20kΩ,1/16W	C1018		NCF21CZ-105X	CAPACITOR 1μF,16V
R3534		NRSA63J-103X	MG RESISTOR 10kΩ,1/16W	C1019		NCB31EK-103X	CAPACITOR 0.01μF,25V
R3541		NRSA63J-680X	MG RESISTOR 68Ω,1/16W	C1020		NCF21CZ-105X	CAPACITOR 1μF,16V
R3542		NRSA63J-680X	MG RESISTOR 68Ω,1/16W	C1021		NBE21AM-106X	T CAPACITOR 10μF,10V
R3543		NRSA63J-680X	MG RESISTOR 68Ω,1/16W	C1022		NCF21CZ-105X	CAPACITOR 1μF,16V
R3544		NRSA63J-680X	MG RESISTOR 68Ω,1/16W	C1023		NCB31EK-103X	CAPACITOR 0.01μF,25V
R3545		NRSA63J-680X	MG RESISTOR 68Ω,1/16W	C1024		NCF21CZ-105X	CAPACITOR 1μF,16V
R3556		NRSA63J-0R0X	MG RESISTOR 0Ω,1/16W	C1025		NBE21AM-106X	T CAPACITOR 10μF,10V
R3701		NRSA63J-153X	MG RESISTOR 15kΩ,1/16W	C1026		NCF21CZ-105X	CAPACITOR 1μF,16V
R3702		NRSA63J-153X	MG RESISTOR 15kΩ,1/16W	C1027		NCB31EK-103X	CAPACITOR 0.01μF,25V
R3703		NRSA63J-822X	MG RESISTOR 8.2kΩ,1/16W	C1028		NCB31EK-103X	CAPACITOR 0.01μF,25V

#	△	REF No.	PART No.	PART NAME, DESCRIPTION	#	△	REF No.	PART No.	PART NAME, DESCRIPTION
C1029			NCF21CZ-105X	CAPACITOR 1μF,16V	C2054			NEA70JM-226X	E CAPACITOR 22μF,6.3V
C1030			NBE21AM-106X	T CAPACITOR 10μF,10V	C2055			NEA70JM-226X	E CAPACITOR 22μF,6.3V
C1501			NCB31CK-104X	CAPACITOR 0.1μF,16V	C2056			NCB31CK-104X	CAPACITOR 0.1μF,16V
C1502			NCB31CK-104X	CAPACITOR 0.1μF,16V	C2057			NCF21CZ-105X	CAPACITOR 1μF,16V
C1504			NCB31CK-104X	CAPACITOR 0.1μF,16V	C2058			NEA70JM-226X	E CAPACITOR 22μF,6.3V
C1505			NCB31EK-103X	CAPACITOR 0.01μF,25V	C2059			NEA70JM-226X	E CAPACITOR 22μF,6.3V
C1506			NCB31EK-103X	CAPACITOR 0.01μF,25V	C2060			NCB31CK-104X	CAPACITOR 0.1μF,16V
C1507			NCB31EK-103X	CAPACITOR 0.01μF,25V	C2061			NCF21CZ-105X	CAPACITOR 1μF,16V
C1508			NCB31CK-104X	CAPACITOR 0.1μF,16V	C2062			NEA70JM-226X	E CAPACITOR 22μF,6.3V
C1509			NEA70JM-476X	E CAPACITOR 47μF,6.3V	C2063			NCB31CK-104X	CAPACITOR 0.1μF,16V
C1510			NEA70JM-476X	E CAPACITOR 47μF,6.3V	C2064			NEA70JM-226X	E CAPACITOR 22μF,6.3V
C1515			NCB31EK-223X	CAPACITOR 0.022μF,25V	C2101			NCB31CK-104X	CAPACITOR 0.1μF,16V
C1516			NCB31EK-223X	CAPACITOR 0.022μF,25V	C2102			NDC31HJ-151X	CAPACITOR 150pF,50V
C1517			NCB31EK-223X	CAPACITOR 0.022μF,25V	C2104			NCB31EK-473X	CAPACITOR 0.047μF,25V
C1518			NCB31EK-223X	CAPACITOR 0.022μF,25V	C2105			NBE21AM-106X	T CAPACITOR 10μF,10V
C1520			NCB31CK-104X	CAPACITOR 0.1μF,16V	C2113			NCB31CK-104X	CAPACITOR 0.1μF,16V
C1521			NCB31CK-104X	CAPACITOR 0.1μF,16V	C2114			NCB31EK-103X	CAPACITOR 0.01μF,25V
C1522			NCB31CK-104X	CAPACITOR 0.1μF,16V	C2115			NCB31CK-104X	CAPACITOR 0.1μF,16V
C1523			NCB31CK-104X	CAPACITOR 0.1μF,16V	C3001			NCB31CK-104X	CAPACITOR 0.1μF,16V
C2001			NCB31CK-104X	CAPACITOR 0.1μF,16V	C3002			NCB31CK-104X	CAPACITOR 0.1μF,16V
C2002			NCB31CK-104X	CAPACITOR 0.1μF,16V	C3003			NCB31CK-104X	CAPACITOR 0.1μF,16V
C2003			NCB31CK-104X	CAPACITOR 0.1μF,16V	C3004			NCB31CK-104X	CAPACITOR 0.1μF,16V
C2005			NCB31CK-104X	CAPACITOR 0.1μF,16V	C3005			NCB31CK-104X	CAPACITOR 0.1μF,16V
C2006			NCB31CK-104X	CAPACITOR 0.1μF,16V	C3006			NCB31CK-104X	CAPACITOR 0.1μF,16V
C2007			NCB31CK-104X	CAPACITOR 0.1μF,16V	C3007			NCB31CK-104X	CAPACITOR 0.1μF,16V
C2008			NDC31HJ-120X	CAPACITOR 12pF,50V	C3008			NCB31CK-104X	CAPACITOR 0.1μF,16V
C2009			NDC31HJ-120X	CAPACITOR 12pF,50V	C3009			NCB31CK-104X	CAPACITOR 0.1μF,16V
C2010			NCB31CK-104X	CAPACITOR 0.1μF,16V	C3010			NCB31CK-104X	CAPACITOR 0.1μF,16V
C2011			NCB31CK-104X	CAPACITOR 0.1μF,16V	C3011			NEA70JM-226X	E CAPACITOR 22μF,6.3V
C2014			NDC31HJ-390X	CAPACITOR 39pF,50V	C3012			NCB31CK-104X	CAPACITOR 0.1μF,16V
C2015			NDC31HJ-102X	CAPACITOR 0.001μF,50V	C3013			NCB31CK-104X	CAPACITOR 0.1μF,16V
C2016			NCB31CK-104X	CAPACITOR 0.1μF,16V	C3014			NCB31CK-104X	CAPACITOR 0.1μF,16V
C2017			NCF21CZ-105X	CAPACITOR 1μF,16V	C3015			NCB31CK-104X	CAPACITOR 0.1μF,16V
C2018			NCB31EK-472X	CAPACITOR 0.0047μF,25V	C3016			NCB31CK-104X	CAPACITOR 0.1μF,16V
C2019			NDC31HJ-271X	CAPACITOR 270pF,50V	C3017			NCB31CK-104X	CAPACITOR 0.1μF,16V
C2020			NCB31CK-104X	CAPACITOR 0.1μF,16V	C3018			NEA70JM-226X	E CAPACITOR 22μF,6.3V
C2022			NCB31CK-104X	CAPACITOR 0.1μF,16V	C3021			NEA70JM-476X	E CAPACITOR 47μF,6.3V
C2023			NCB31CK-104X	CAPACITOR 0.1μF,16V	C3022			NCB31CK-104X	CAPACITOR 0.1μF,16V
C2024			NDC31HJ-6R0X	CAPACITOR 6pF,50V	C3101			NCB31CK-104X	CAPACITOR 0.1μF,16V
C2025			NDC31HJ-6R0X	CAPACITOR 6pF,50V	C3102			NEA70JM-476X	E CAPACITOR 47μF,6.3V
C2026			NDC31HJ-102X	CAPACITOR 0.001μF,50V	C3103			NCB31CK-104X	CAPACITOR 0.1μF,16V
C2027			NDC31HJ-390X	CAPACITOR 39pF,50V	C3106			NEA70JM-226X	E CAPACITOR 22μF,6.3V
C2028			NDC31HJ-102X	CAPACITOR 0.001μF,50V	C3107			NCB31CK-104X	CAPACITOR 0.1μF,16V
C2029			NDC31HJ-560X	CAPACITOR 56pF,50V	C3108			NEA70JM-226X	E CAPACITOR 22μF,6.3V
C2031			NCB31CK-104X	CAPACITOR 0.1μF,16V	C3109			NCB31CK-104X	CAPACITOR 0.1μF,16V
C2032			NCB31CK-104X	CAPACITOR 0.1μF,16V	C3111			NCB31CK-104X	CAPACITOR 0.1μF,16V
C2036			NCB31CK-104X	CAPACITOR 0.1μF,16V	C3112			NEA70JM-476X	E CAPACITOR 47μF,6.3V
C2037			NCB31CK-104X	CAPACITOR 0.1μF,16V	C3113			NDC31HJ-220X	CAPACITOR 22pF,50V
C2038			NCB31CK-104X	CAPACITOR 0.1μF,16V	C3114			NDC31HJ-8R0X	CAPACITOR 8pF,50V
C2039			NCB31CK-104X	CAPACITOR 0.1μF,16V	C3115			NDC31HJ-220X	CAPACITOR 22pF,50V
C2040			NCB31CK-104X	CAPACITOR 0.1μF,16V	C3116			NDC31HJ-220X	CAPACITOR 22pF,50V
C2041			NCB31CK-104X	CAPACITOR 0.1μF,16V	C3117			NCB20JM-475X	CAPACITOR 4.7μF,6.3V
C2042			NCB31CK-104X	CAPACITOR 0.1μF,16V	C3119			NCB20JM-475X	CAPACITOR 4.7μF,6.3V
C2043			NCB31CK-104X	CAPACITOR 0.1μF,16V	C3120			NCB31CK-104X	CAPACITOR 0.1μF,16V
C2044			NCB31CK-104X	CAPACITOR 0.1μF,16V	C3121			NCB31CK-104X	CAPACITOR 0.1μF,16V
C2046			NCB31CK-104X	CAPACITOR 0.1μF,16V	C3123			NDC31HJ-120X	CAPACITOR 12pF,50V
C2047			NCB31CK-104X	CAPACITOR 0.1μF,16V	C3124			NDC31HJ-8R0X	CAPACITOR 8pF,50V
C2048			NCB31EK-103X	CAPACITOR 0.01μF,25V	C3127			NCB31CK-104X	CAPACITOR 0.1μF,16V
C2051			NEA70JM-226X	E CAPACITOR 22μF,6.3V	C3129			NCB31CK-104X	CAPACITOR 0.1μF,16V
C2052			NCF21CZ-105X	CAPACITOR 1μF,16V	C3130			NCB31CK-104X	CAPACITOR 0.1μF,16V
C2053			NCB31CK-104X	CAPACITOR 0.1μF,16V	C3131			NEA70JM-226X	E CAPACITOR 22μF,6.3V

#	△ REF No.	PART No.	PART NAME, DESCRIPTION	#	△ REF No.	PART No.	PART NAME, DESCRIPTION
C3132		NCB31CK-104X	CAPACITOR 0.1μF,16V	C4002		NCB31CK-104X	CAPACITOR 0.1μF,16V
C3140		NCB31CK-104X	CAPACITOR 0.1μF,16V	C4003		NEA70JM-226X	E CAPACITOR 22μF,6.3V
C3141		NCB31CK-104X	CAPACITOR 0.1μF,16V	C4005		NCB31CK-104X	CAPACITOR 0.1μF,16V
C3142		NDC31HJ-120X	CAPACITOR 12pF,50V	C4006		NCB31CK-104X	CAPACITOR 0.1μF,16V
C3143		NDC31HJ-120X	CAPACITOR 12pF,50V	C4007		NEA70JM-226X	E CAPACITOR 22μF,6.3V
C3144		NCB31CK-104X	CAPACITOR 0.1μF,16V	C4009		NCB31CK-104X	CAPACITOR 0.1μF,16V
C3501		NCB31CK-104X	CAPACITOR 0.1μF,16V	C4010		NCB31CK-104X	CAPACITOR 0.1μF,16V
C3502		NCB31CK-104X	CAPACITOR 0.1μF,16V	C4011		NEA70JM-226X	E CAPACITOR 22μF,6.3V
C3503		NCB31CK-104X	CAPACITOR 0.1μF,16V	C4013		NCB31CK-104X	CAPACITOR 0.1μF,16V
C3504		NEA70JM-226X	E CAPACITOR 22μF,6.3V	C4014		NCB31CK-104X	CAPACITOR 0.1μF,16V
C3505		NEA70JM-107X	E CAPACITOR 100μF,6.3V	C4015		NEA70JM-226X	E CAPACITOR 22μF,6.3V
C3506		NEA70JM-226X	E CAPACITOR 22μF,6.3V	C4021		NCB31CK-104X	CAPACITOR 0.1μF,16V
C3507		NDC31HJ-220X	CAPACITOR 22pF,50V	C4022		NCB31CK-473X	CAPACITOR 0.047μF,16V
C3508		NDC31HJ-220X	CAPACITOR 22pF,50V	C4023		NCB31CK-104X	CAPACITOR 0.1μF,16V
C3509		NDC31HJ-220X	CAPACITOR 22pF,50V	C4024		NCB31CK-223X	CAPACITOR 0.022μF,16V
C3510		NCB31CK-104X	CAPACITOR 0.1μF,16V	C4025		NCB31CK-104X	CAPACITOR 0.1μF,16V
C3511		NCB31CK-104X	CAPACITOR 0.1μF,16V	C4026		NCB31CK-104X	CAPACITOR 0.1μF,16V
C3513		NCB31CK-104X	CAPACITOR 0.1μF,16V	C4027		NCB31CK-104X	CAPACITOR 0.1μF,16V
C3514		NCB31CK-104X	CAPACITOR 0.1μF,16V	C4028		NCB31CK-473X	CAPACITOR 0.047μF,16V
C3515		NEA70JM-226X	E CAPACITOR 22μF,6.3V	C4029		NCB31CK-473X	CAPACITOR 0.047μF,16V
C3516		NEA70JM-226X	E CAPACITOR 22μF,6.3V	C4030		NCB31CK-473X	CAPACITOR 0.047μF,16V
C3517		NEA70JM-107X	E CAPACITOR 100μF,6.3V	C4031		NCB31CK-104X	CAPACITOR 0.1μF,16V
C3521		NEA70JM-107X	E CAPACITOR 100μF,6.3V	C4032		NDC31HJ-221X	CAPACITOR 220pF,50V
C3523		NEA70JM-226X	E CAPACITOR 22μF,6.3V	C4033		NCB31CK-104X	CAPACITOR 0.1μF,16V
C3531		NDC31HJ-120X	CAPACITOR 12pF,50V	C4034		NDC31HJ-102X	CAPACITOR 0.001μF,50V
C3532		NDC31HJ-150X	CAPACITOR 15pF,50V	C4035		NCB31CK-104X	CAPACITOR 0.1μF,16V
C3533		NDC31HJ-470X	CAPACITOR 47pF,50V	C4036		NCB31CK-104X	CAPACITOR 0.1μF,16V
C3534		NDC31HJ-390X	CAPACITOR 39pF,50V	C4038		NCB20JM-475X	CAPACITOR 4.7μF,6.3V
C3535		NCB31CK-104X	CAPACITOR 0.1μF,16V	C4039		NCB31CK-104X	CAPACITOR 0.1μF,16V
C3536		NDC31HJ-120X	CAPACITOR 12pF,50V	C4040		NCB31CK-104X	CAPACITOR 0.1μF,16V
C3537		NDC31HJ-150X	CAPACITOR 15pF,50V	C4041		NCB20JM-475X	CAPACITOR 4.7μF,6.3V
C3538		NDC31HJ-470X	CAPACITOR 47pF,50V	C4046		NCB31CK-104X	CAPACITOR 0.1μF,16V
C3539		NDC31HJ-390X	CAPACITOR 39pF,50V	C4047		NCB31CK-104X	CAPACITOR 0.1μF,16V
C3540		NCB31CK-104X	CAPACITOR 0.1μF,16V	L1001		NQL144K-100X	COIL 10μH
C3701		NCF21CZ-105X	CAPACITOR 1μF,16V	L1002		NQL17CM-390X	COIL 39μH
C3702		NCF21CZ-105X	CAPACITOR 1μF,16V	L1003		NQL17CM-390X	COIL 39μH
C3703		NCB31CK-104X	CAPACITOR 0.1μF,16V	L1004		NQL17CM-390X	COIL 39μH
C3704		NEA71CM-106X	E CAPACITOR 10μF,16V	L1501		NQL144K-100X	COIL 10μH
C3705		NDC31HJ-151X	CAPACITOR 150pF,50V	L1502		NQL144K-100X	COIL 10μH
C3706		NCB31CK-104X	CAPACITOR 0.1μF,16V	L2001		NQL144K-100X	COIL 10μH
C3707		NCB31CK-104X	CAPACITOR 0.1μF,16V	L2002		NQL144K-100X	COIL 10μH
C3708		NDC31HJ-151X	CAPACITOR 150pF,50V	L2003		NQL144K-100X	COIL 10μH
C3709		NEA71CM-106X	E CAPACITOR 10μF,16V	L2004		NQL144K-100X	COIL 10μH
C3710		NCB31CK-104X	CAPACITOR 0.1μF,16V	L2005		NQL144K-100X	COIL 10μH
C3711		NEA71CM-106X	E CAPACITOR 10μF,16V	L2006		NQL144K-100X	COIL 10μH
C3712		NEA71CM-106X	E CAPACITOR 10μF,16V	L2007		NQL144K-100X	COIL 10μH
C3713		NCB31CK-104X	CAPACITOR 0.1μF,16V	L2009		NQL024J-2R2X	COIL 2.2μH
C3714		NEA71CM-106X	E CAPACITOR 10μF,16V	L2010		NQL024J-100X	COIL 10μH
C3715		NCB31CK-104X	CAPACITOR 0.1μF,16V	L2011		NQL024J-120X	COIL 12μH
C3716		NCB31CK-104X	CAPACITOR 0.1μF,16V	L2015		NQR0337-001X	COIL
C3717		NEA71CM-106X	E CAPACITOR 10μF,16V	L3001		NQL144K-100X	COIL 10μH
C3718		NEA71CM-106X	E CAPACITOR 10μF,16V	L3021		NQL144K-100X	COIL 10μH
C3725		NCB31HK-332X	CAPACITOR 0.0033μF,50V	L3022		NQL144K-100X	COIL 10μH
C3726		NCB31HK-682X	CAPACITOR 0.0068μF,50V	L3101		NQL144K-100X	COIL 10μH
C3728		NCB31CK-104X	CAPACITOR 0.1μF,16V	L3103		NQL144K-100X	COIL 10μH
C3729		NEA71CM-476X	E CAPACITOR 47μF,16V	L3104		NQL144K-100X	COIL 10μH
C3730		NEA71CM-476X	E CAPACITOR 47μF,16V	L3111		NQL024J-150X	COIL 15μH
C3731		NCB31CK-104X	CAPACITOR 0.1μF,16V	L3112		NQL024J-150X	COIL 15μH
C3733		NCB31HK-332X	CAPACITOR 0.0033μF,50V	L3131		NQL024J-150X	COIL 15μH
C3734		NCB31HK-682X	CAPACITOR 0.0068μF,50V	L3132		NQL024J-150X	COIL 15μH
C4001		NCB31CK-104X	CAPACITOR 0.1μF,16V	L3151		NQL144K-100X	COIL 10μH

#	△	REF No.	PART No.	PART NAME, DESCRIPTION	#	△	REF No.	PART No.	PART NAME, DESCRIPTION
L3521			NQL144K-100X	COIL					10μH
L3522			NQL144K-100X	COIL					10μH
L3531			NQL024J-120X	COIL					12μH
L3532			NQL024J-270X	COIL					27μH
L3533			NQL024J-120X	COIL					12μH
L3534			NQL024J-270X	COIL					27μH
L3701			NQL144K-100X	COIL					10μH
L3702			NQL144K-100X	COIL					10μH
L4001			NQL144K-100X	COIL					10μH
L4002			NQL144K-100X	COIL					10μH
L4003			NQL144K-100X	COIL					10μH
L4005			NQL144K-100X	COIL					10μH
LC1002			PELN1148-223X	NOISE FILTER					
LC1003			PELN1148-223X	NOISE FILTER					
LC1004			PELN1148-223X	NOISE FILTER					
LC3101			PELN0969-04Y	NOISE FILTER					
X2001			NAX0141-001X	CRYSTAL RESONATOR					
X2003			NAX0206-001X	CRYSTAL RESONATOR					
X3101			NAX0218-001X	CRYSTAL RESONATOR					
K1001			NQR0129-002X	FERRATE BEADS					
K2001			NQR0129-002X	FERRATE BEADS					
K3101			NQR0129-002X	FERRATE BEADS					
K4001			NQR0129-002X	FERRATE BEADS					
SD1			LP30467-001A	SHIELD COVER					
ET1			QNZ0136-001Z	EARTH TERMINAL					
J2001			QNZ0097-001	D CONNECTOR,DV IN/OUT					
CN1001			QGF1211F1-08W	FPC CONNECTOR,(1-8)SW REG					
CN1501			QGF0503C1-20X	FFC/FPC CONNECTOR,(1-20)DV MDA					
CN1502			QGF0505F2-15X	FPC CONNECTOR,(1-15)DV MECHA					
CN1503			QGF1211F1-04W	FPC CONNECTOR,(1-4)VHS MAIN					
CN2001			QGB0801L1-26X	CONNECTOR,(1-26)JIG					
CN3501			QGF1224F1-14X	FFC/FPC CONNECTOR,(1-14)VHS MAIN					
CN3701			QGF1016F2-08W	FFC/FPC CONNECTOR,(1-8)VHS MAIN					
CN4001			QGF0503C1-08X	FFC/FPC CONNECTOR,(1-8)DV PRE/REC					

LOADING MOTOR BOARD ASSEMBLY <55>

PW2	LP10122-01A2	LOADING MOTOR BOARD ASSY
CN1	QGB2533K1-02	CONNECTOR

JOG BOARD ASSEMBLY <85>

PW3	LPA10150-01A3	JOG BOARD ASSY
UN7001	QSW0905-001	ROTARY ENCODER

