

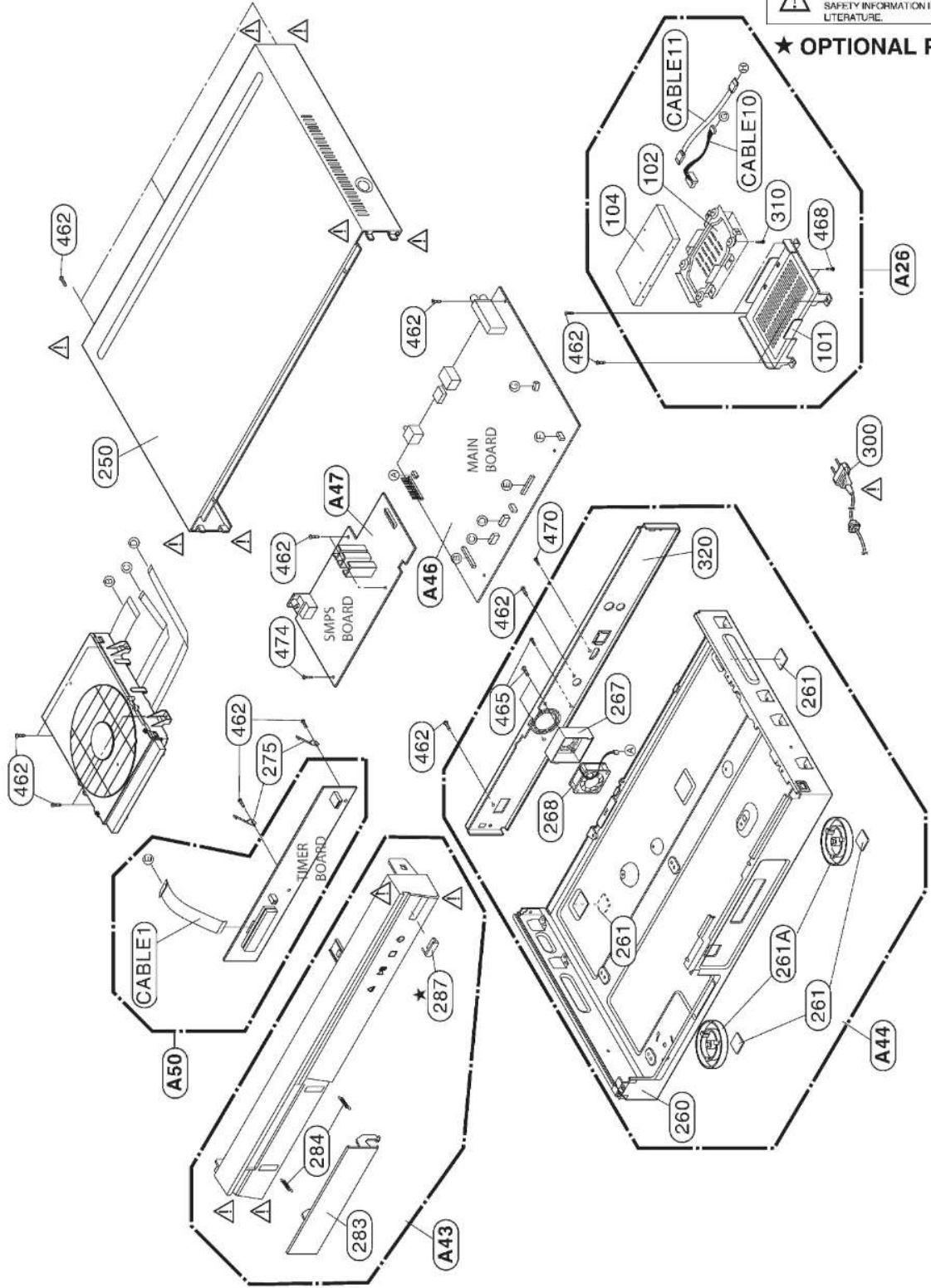
EXPLODED VIEWS

1. CABINET AND MAIN FRAME SECTION

5
4
3
2
1

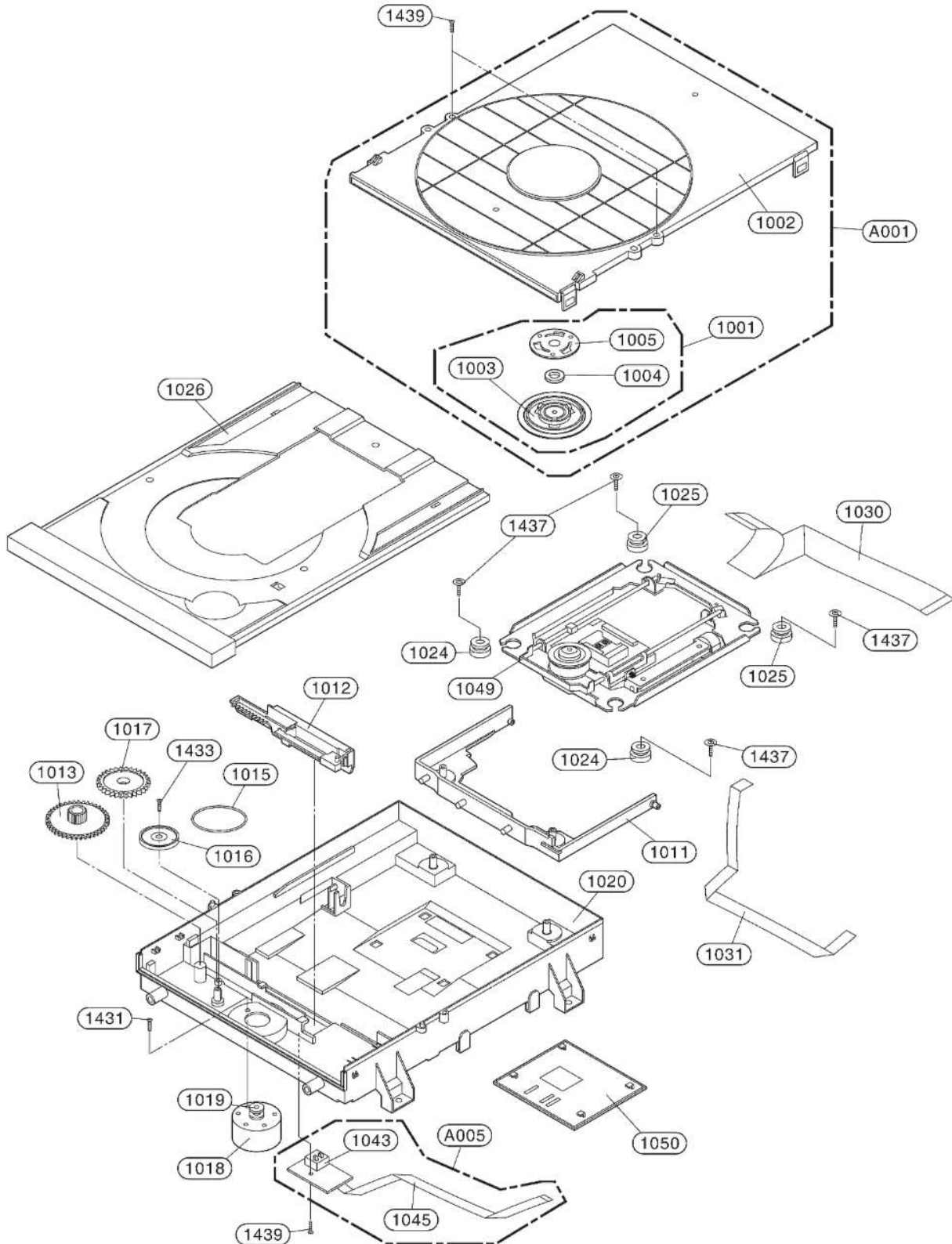
NOTES) THE EXCLAMATION POINT WITHIN AN EQUILATERAL TRIANGLE IS INTENDED TO ALERT THE SERVICE PERSONNEL TO THE PRESENCE OF IMPORTANT SAFETY INFORMATION IN SERVICE LITERATURE.

★ OPTIONAL PARTS



A B C D

2. DECK MECHANISM SECTION, BM12H4 (IM13)



3. PACKING ACCESSORY SECTION

