



Philips Domestic Appliances and Personal Care

Service Manual

PRODUCT INFORMATION

- The food processors are equipped with mechanical and thermal safety switches.
- Product meets the requirements regarding interference suppression on radio and TV.
- After the product has been repaired, it should function properly and has to meet the safety requirements as laid down officially established at this moment.

Automatic resettable cut-out (part of item 7)

- To prevent damage due to overheating, the appliance has been equipped with an automatic cut-out system. This system will automatically cut off the power supply when the appliance overheats.
If the appliance suddenly stops running:
 - Unplug the appliance
 - Set the knob to position 0
 - Let the appliance cool down for 15 minutes
 - Plug the appliance in again
 - Switch the appliance on again

Safety lock (item 1)

- Place the lid on the bowl in the right position. The appliance will only function if the arrow on the appliance is directly opposite the mark on the lid of the food processor bowl and the same holds for the other accessoires. The built-in safety lock will now be deblocked and you can turn the appliance on.
Note that if both the blender jar and the bowl have been correctly mounted, only the blender will function.

Important:

- If the appliance is used without the blender jar, the appliance will not function if the screw cap has not been screwed onto the attaching hole for the blender.

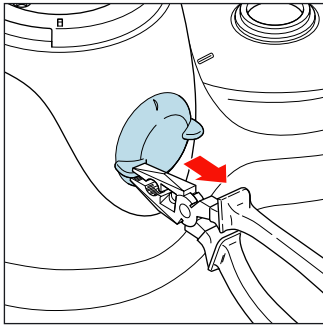
TECHNICAL INFORMATION

- Motor power : HR7723 - 600 W
HR7724 - 700 W
- Voltage : 230 V
: 110 V
- Frequency : 50 / 60 Hz
- Colour : White
- Cordset : 125 cm
- Speed settings : 2 speeds + pulse
- Bowl capacity : 2.5 l dry ingredients
1.0 l liquids
- Blender capacity : 1.0 l liquids
2.0 l (max. contents)
- Speeds unloaded : blender drive shaft 17000 rpm (max)
acc. drive shaft 2150 rpm (max)
acc. drive shaft 1400 rpm (min)
- Weight in fancy box : HR7723/24 - 5100 g
- Dimensions : HR7723/24 - 420 x 280 x 360
(l x w x h)
- SAP coding : HR7723/00
HR7724/16

HR7723/00 / HR7724/16

DISASSEMBLY- AND RE-ASSEMBLY ADVISE

- A separate drawing shows how to disconnect the speed selection knob.



- The blender coupling on the motor shaft has been provided with the customary left-hand thread. The drive coupling (item 11) can be detached by means of a hammer and a screwdriver. Strike the screwdriver with a short sharp blow and remove the drive coupling. Or block the acc. drive wheel (item 23) and thereby the rotor shaft, by sticking a pin through the hole (5 mm dia.) in the bottom plate.

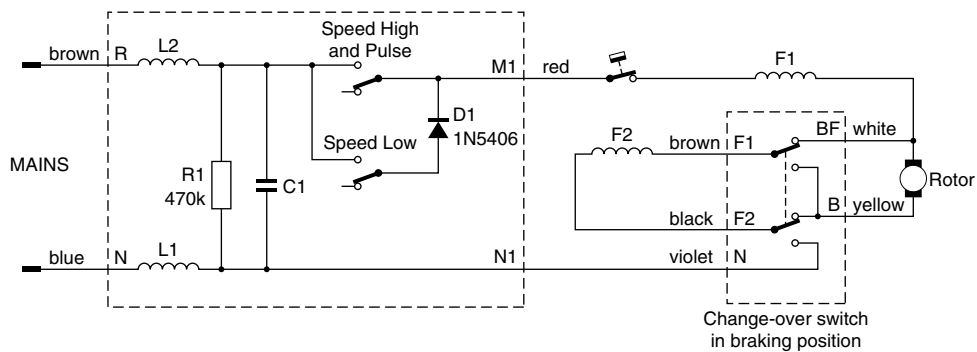
- The top housing (item 29) can be removed by detaching the snap connections by sticking a pin (or a screwdriver) through the small round holes (3 mm dia.) in the bottom plate (item 27) and the housing (item 12). The arrows in the drawing show the locations of the holes.
- In order to replace the speed selection knob, the locking lever (item 33) must be placed in its lowest position.
- The accessory drive shaft (item 15) has a locking piece (item 14).
- The assembly of the accessories depends on the national version.
- For specific versions, the component configuration may differ from the one shown on the exploded view. However, the actual components can be distinguished by their code numbers.
- Make sure that all functions, including the safety devices, are working correctly after you have completed the repair.

REPAIR INSTRUCTION

- No specific issues

OPTIONAL (ACCESSORIES)

- No specific issues

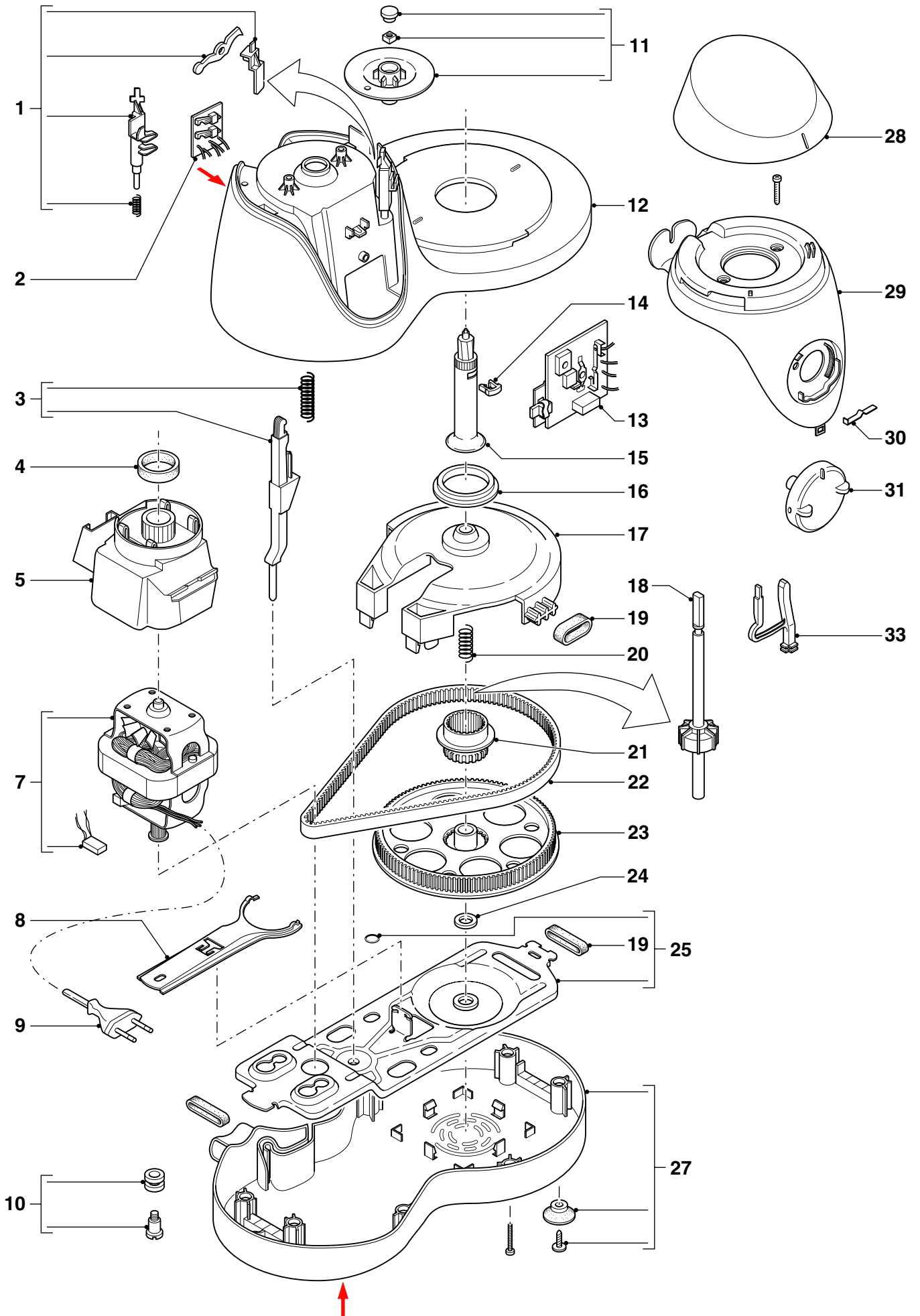


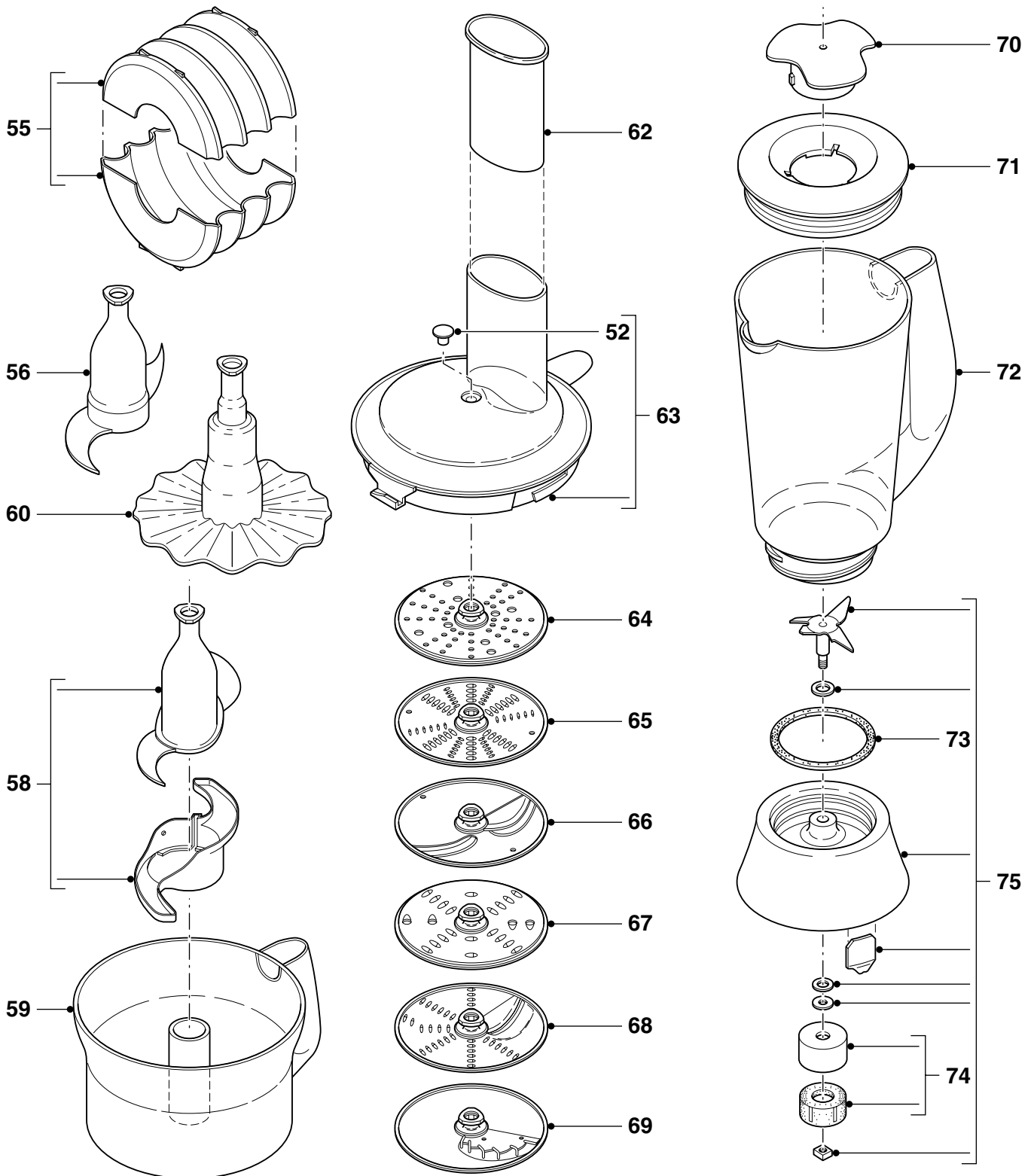
HR7723 / HR7724

PARTS LIST

Pos	Service code	Description
1	4203 065 62110	Print + switch lever
2	4822 214 12762	Print plate brake
3	4203 065 62120	Coupling lever
4	4822 532 13008	Rubber piece
5	4822 462 11074	Air tunnel
7	4822 361 11081	Motor 230 V
	4822 361 11082	Motor 110 V
8	4822 466 11949	Coupling fork
9	4203 065 60300	Flex
10	4822 502 14593	Motor screw assy
11	4203 065 62130	Blender coupling
12	4203 065 64570	Housing
13	4822 214 12767	Print plate
14	4822 402 11076	Locking piece
15	4822 535 10548	Drive spindle
16	4203 065 62070	Rubber sealing
17	4822 466 11948	Locking plate
18	4822 535 10549	Spindle assy
19	4822 530 10492	Rubber tube
20	4822 492 11649	Compression spring

Pos	Service code	Description
21	4822 528 11265	Coupling piece
22	4822 358 10257	Tooth belt
23	4822 528 11266	Belt wheel
24	4822 520 10851	Bearing
25	4822 466 11947	Mounting plate
27	4203 065 64610	Bottom plate
28	4203 065 64620	Blender cover
29	4203 065 64630	Housing top
	4203 065 64640	Housing top
30	4822 492 11648	Snap return spring
31	4203 065 64600	Switch knob
	4203 065 62180	Switch knob
33	4203 065 62200	Locking lever





Pos	Service code	Description
52	4822 462 11083	Insert of lid
55	4203 065 61860	Storage box (4 acc.)
56	4203 065 60170	Kneading/mixing knife
58	4203 065 60160	Metal knife
59	4203 065 64510	Bowl (dry 2.5 l)
60	4203 065 64390	Emulsifying disc
62	4203 065 63800	Mono pusher
63	4203 065 64520	Bowl cover
64	4203 065 61840	Patato grating disc (opt.)
65	4203 065 61960	Grating disc (fine/very fine)

Pos	Service code	Description
66	4203 065 61950	Slicing disc (fine/medium)
67	4203 065 61970	Grating disc (coarse/medium)
68	4203 065 61980	Combi disc (slicing/grating)
69	4203 065 61830	French fries (opt.)
70	4203 065 64530	Insert of cover
71	4203 065 64540	Cover
72	4203 065 64550	Beaker
73	4203 065 61890	Sealing ring
74	4203 065 62220	Driven coupling
75	4203 065 64650	Knife unit