

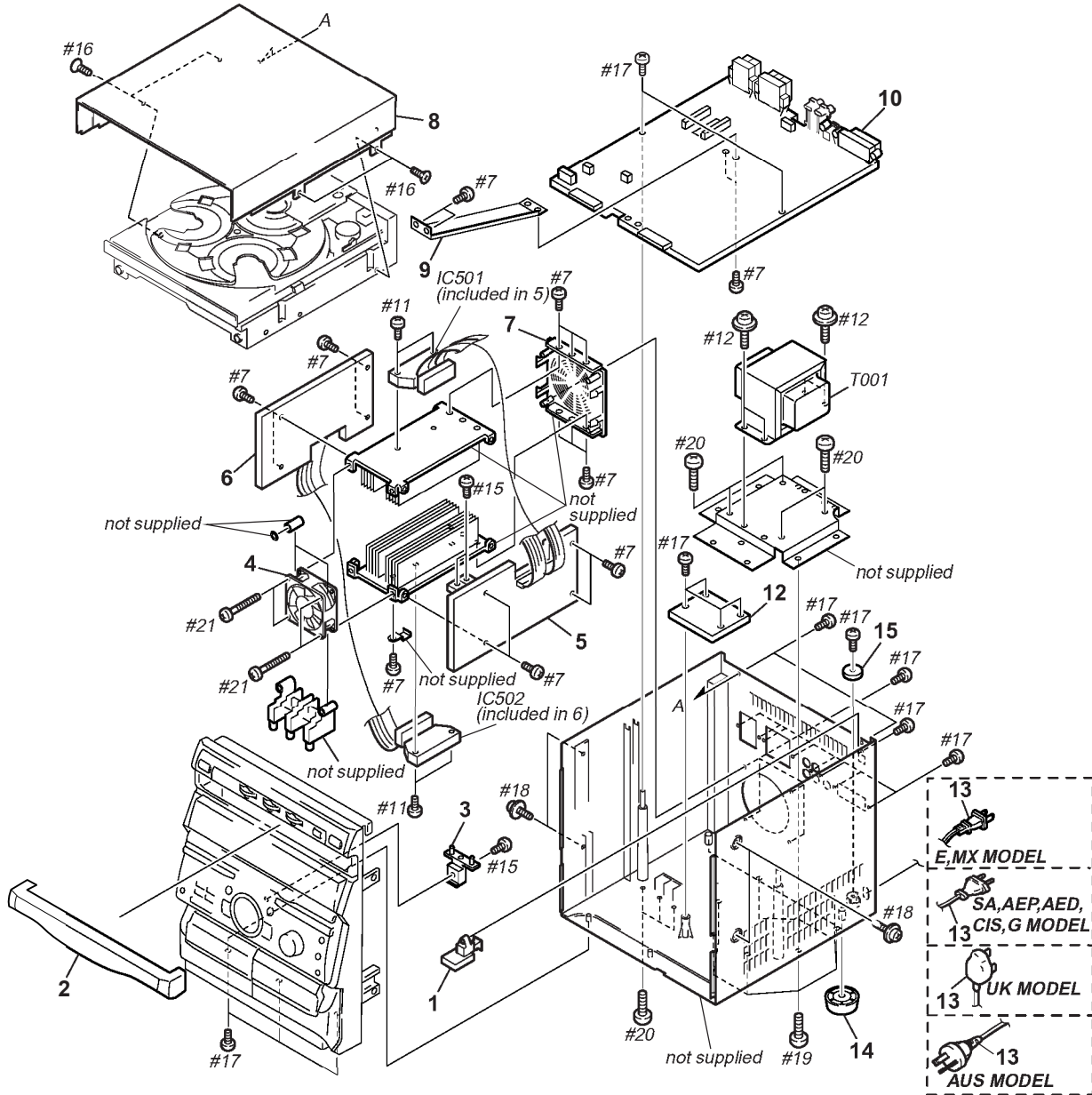
## SECTION 8 EXPLODED VIEWS

**NOTE:**

- -XX, -X mean standardized parts, so they may have some differences from the original one.
- Items marked "\*" are not stocked since they are seldom required for routine service. Some delay should be anticipated when ordering these items.
- The mechanical parts with no reference number in the exploded views are not supplied.
- Abbreviation
  - MX : Mexican model
  - SA : South African model
  - AED : North European model
  - G : German model
  - AUS : Australian model
- Hardware (# mark) list and accessories and packing materials are given in the last of this parts list.

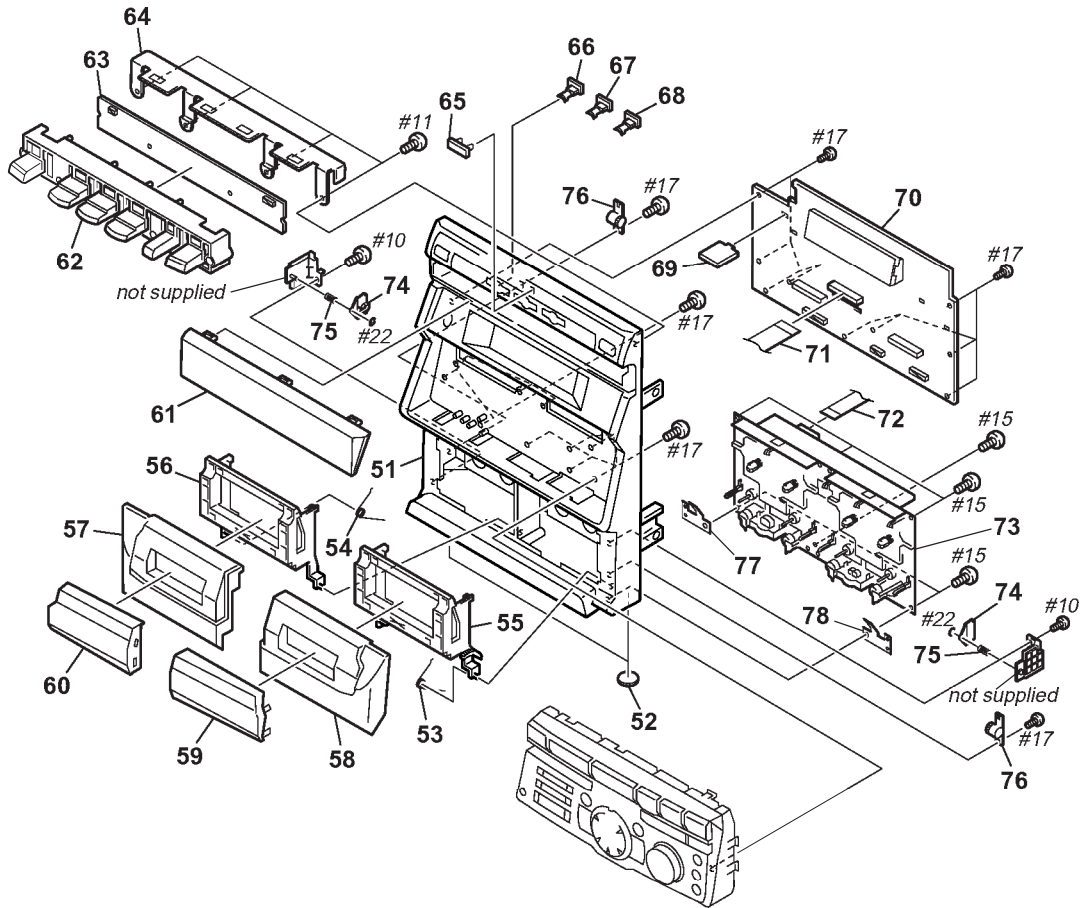
The components identified by mark  $\Delta$  or dotted line with mark  $\Delta$  are critical for safety. Replace only with part number specified.

### 8-1. CABINET SECTION



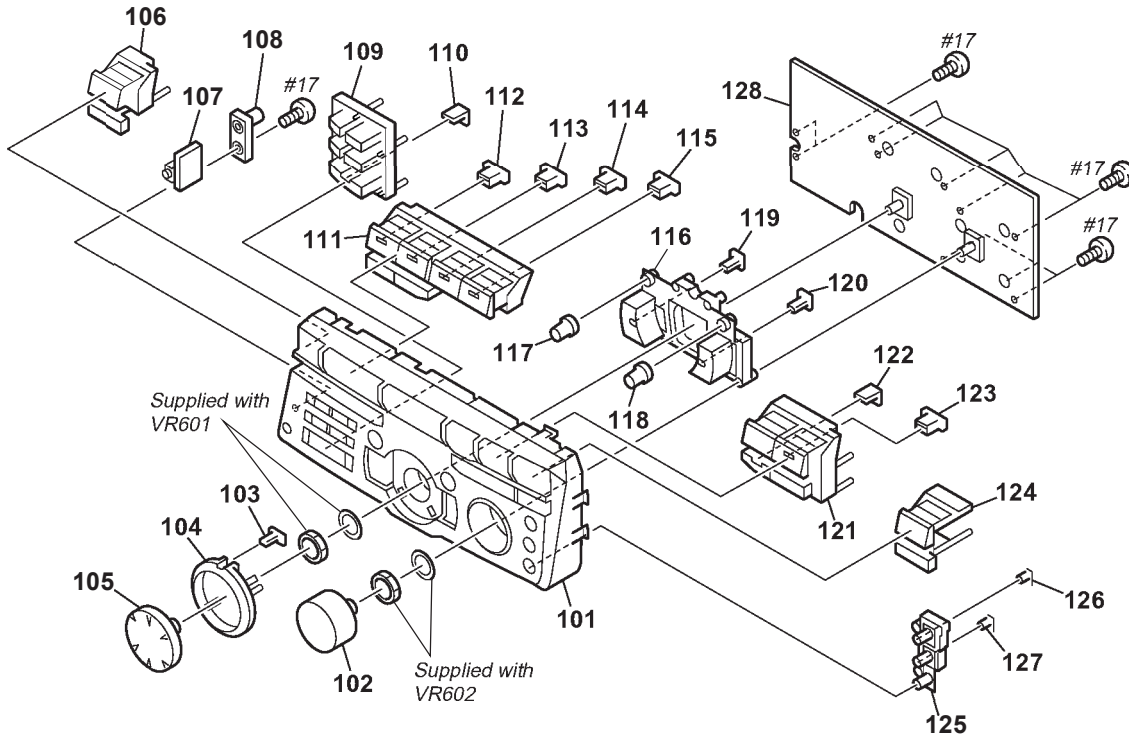
Ref. No.	Part No.	Description	Remarks	Ref. No.	Part No.	Description	Remarks
1	1-674-794-11	PHOTO SOCKET BOARD		10	A-4426-962-A	MAIN BOARD, COMPLETE (RXD6AV)	
2	4-223-011-01	DOOR, CD (RXD6AV)		12	1-675-358-11	FUSE BOARD	
2	4-224-509-01	DOOR, CD (GRX40AV)		$\Delta$ 13	1-551-506-99	CORD, POWER (GRX40AV:MX)	
3	4-223-018-01	STOPPER, PWB		$\Delta$ 13	1-555-795-00	CORD, POWER	
4	1-763-410-11	FAN,DC		$\Delta$ 13	1-696-570-21	CORD, POWER (RXD6AV:UK)	
5	A-4426-701-A	AMP BOARD, COMPLETE		$\Delta$ 13	1-696-966-11	CORD, POWER (GRX40AV:AUS)	
6	A-4426-700-A	FRONT AMP BOARD, COMPLETE		14	4-223-063-01	FOOT(B)	
7	4-223-060-01	HOLDER, BLOCK		15	4-223-061-01	WASHER, AC CORD	
8	4-223-017-01	CABINET, TOP		$\Delta$ T001	1-435-132-11	TRANSFORMER, POWER (RXD6AV)	
9	4-223-030-01	BRACKET, MAIN PC BOARD		$\Delta$ T001	1-435-133-11	TRANSFORMER, POWER (GRX40AV:MX)	
10	A-4426-696-A	MAIN BOARD, COMPLETE (GRX40AV)		$\Delta$ T001	1-435-134-11	TRANSFORMER, POWER (GRX40AV:AUS,SA)	

## 8-2. FRONT PANEL SECTION-1



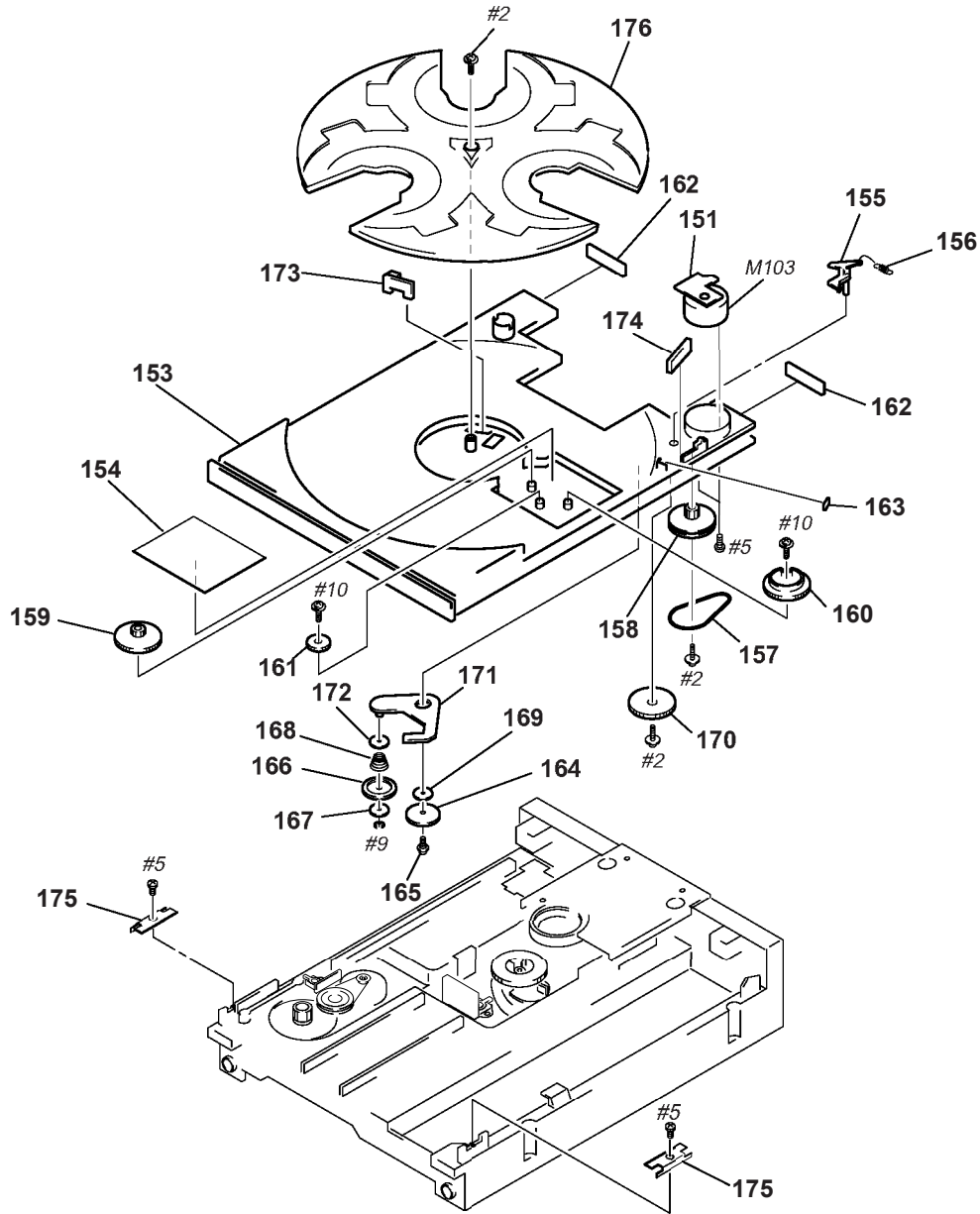
Ref. No.	Part No.	Description	Remarks	Ref. No.	Part No.	Description	Remarks
51	4-223-020-01	PANEL (A), FRONT		66	4-223-022-01	LENS(1), CD DISC	
52	4-220-602-01	RUBBER, FOOT		67	4-223-023-01	LENS(2), CD DISC	
53	4-223-029-01	SPRING (B), EJECT		68	4-223-024-01	LENS(3), CD DISC	
54	4-223-028-01	SPRING (A), EJECT		69	1-675-353-11	SENSOR BOARD	
55	4-223-014-01	DOOR(B), CASS		70	A-4426-956-A	FLD BOARD, COMPLETE (GRX40AV:AUS,SA)	
56	4-223-013-01	DOOR(A), CASS		70	A-4426-960-A	FLD BOARD, COMPLETE (RXD6AV)	
57	4-223-026-01	HOLDER (A), CASS		70	A-4426-958-A	FLD BOARD, COMPLETE (GRX40AV:MX)	
58	4-223-027-01	HOLDER (B), CASS		71	1-769-273-11	WIRE(FLAT TYPE) (22 CORE)	
59	4-223-016-01	WINDOW (B), CASS		72	1-783-579-11	WIRE(FLAT TYPE) (16 CORE)	
60	4-223-015-01	WINDOW (A), CASS		73	1-772-164-11	DECK, MECH	
61	4-223-012-01	WINDOW, DISPLAY		74	4-220-629-01	LEVER, EJECT	
62	4-223-021-01	BUTTON, CD DISC		75	4-220-628-01	SPRING, EJECT LEVER	
63	A-4426-691-A	KEY BOARD, COMPLETE		76	4-220-622-01	DAMPER (GRY), GEAR	
64	4-223-025-01	BRACKET, CD PC BOARD		77	4-223-031-01	SPRING (L), PUSHING	
65	4-223-019-01	EMBLEM, LOGO		78	4-223-032-01	SPRING (R), PUSHING	

### 8-3. FRONT PANEL SECTION-2



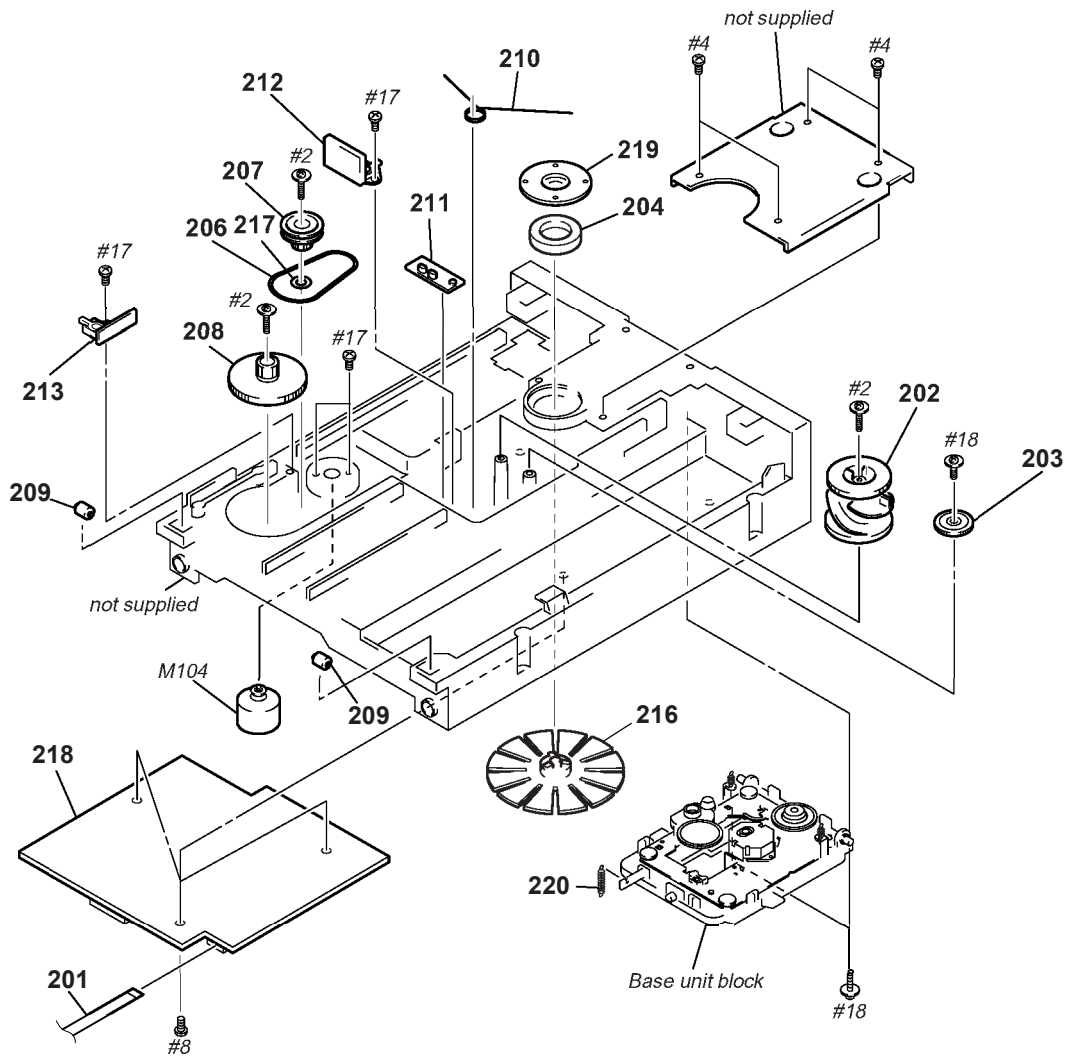
Ref. No.	Part No.	Description	Remarks	Ref. No.	Part No.	Description	Remarks
101	4-223-034-01	PANEL (B), FRONT		115	4-223-038-01	LENS (4), TAPE PLAY	
102	4-223-057-01	KNOB, VOLUME		116	4-223-054-01	BUTTON, SKIP (+/-)	
103	4-223-046-01	LENS, JOGRING		117	4-223-047-01	KNOB, GROOVE	
104	4-223-045-01	RING, JOG		118	4-223-048-01	KNOB, ENTER	
105	4-223-044-01	KNOB, JOG		119	4-223-050-01	LENS, SKIP (-)	
106	4-223-055-01	BUTTON, FUNCTION		120	4-223-049-01	LENS, SKIP (+)	
107	4-223-058-01	HOLDER, H/P JACK		121	4-223-039-01	BUTTON, CD PLAY	
108	1-675-355-11	H/P BOARD		122	4-223-040-01	LENS, DSP	
109	4-223-042-01	BUTTON, PROLOGIC		123	4-223-041-01	LENS, CD PLAY	
110	4-223-043-01	LENS, PROLOGIC		124	4-223-056-01	BUTTON, TUNER/BAND	
111	4-223-035-01	BUTTON, TAPE PLAY		125	4-223-051-01	BUTTON, CD SYNC	
112	4-223-033-01	LENS (1), TAPE PLAY		126	4-223-052-01	LENS, RECORD	
113	4-223-036-01	LENS (2), TAPE PLAY		127	4-223-053-01	LENS, PAUSE	
114	4-223-037-01	LENS (3), TAPE PLAY		128	A-4426-690-A	FRONT BOARD, COMPLETE	

### 8-4. CD MECHANISM DECK SECTION-1



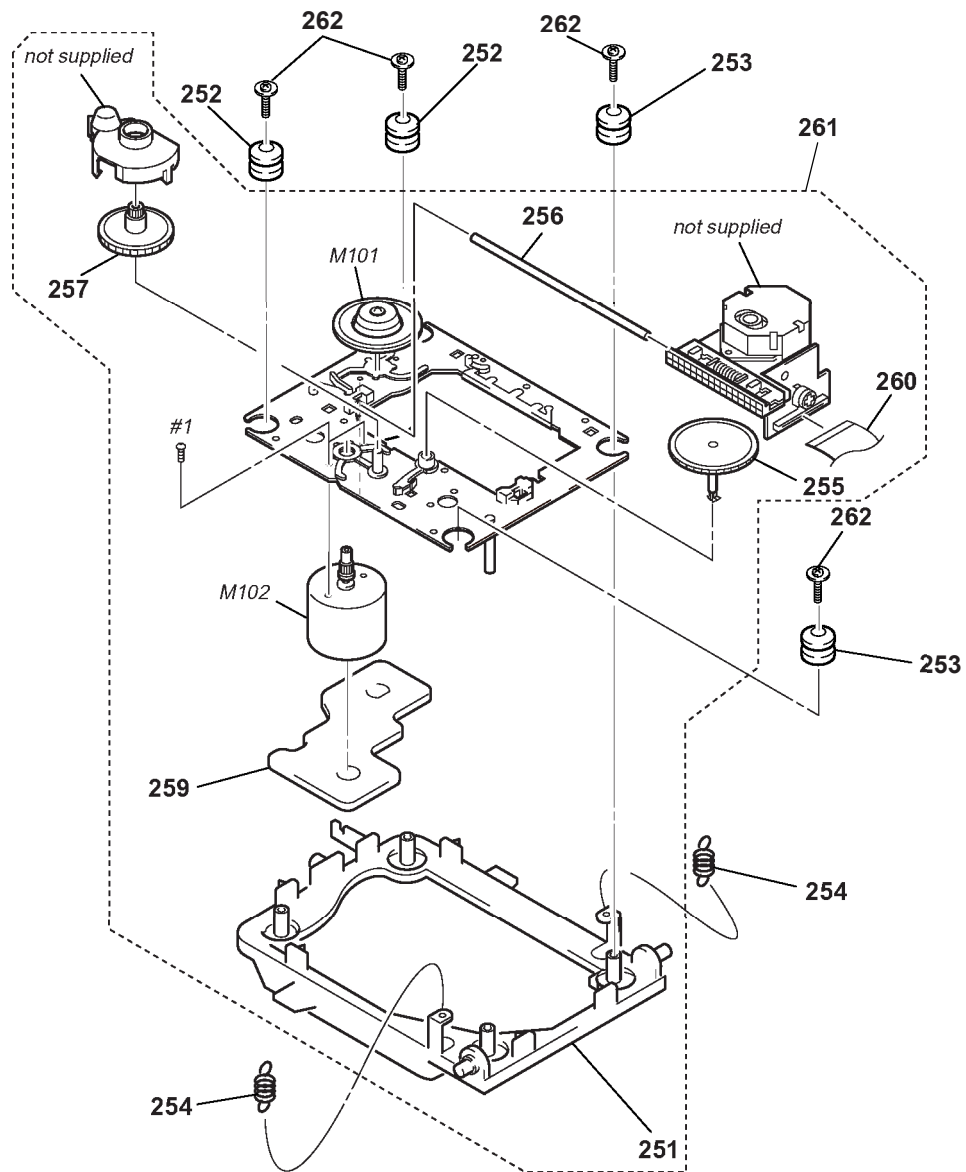
Ref. No.	Part No.	Description	Remarks	Ref. No.	Part No.	Description	Remarks
151	1-674-792-11	MOTOR BOARD		165	4-992-183-01	SCREW, RELAY GEAR (B)	
153	4-221-891-01	BASE, CHANGER		166	4-992-174-01	GEAR, CHANGE	
154	4-221-895-01	SHEET, BLIND		167	4-992-184-01	WASHER, CHANGE GEAR	
155	4-221-896-01	LEVER, SENSOR SW		168	4-992-176-01	SPRING, CHANGE GEAR	
156	4-992-182-01	SPRING, SENSOR (SW) LEVER		169	4-992-185-01	WASHER, CHANGE PLATE	
157	4-992-170-01	BELT, LOADING		170	4-992-172-01	GEAR (A), RELAY	
158	4-992-171-01	PULLEY, GEAR		171	4-221-902-01	PLATE, T/T	
159	4-221-894-01	GEAR, TR		172	4-992-201-01	WASHER, POLYETHYLENE	
160	4-221-892-01	GEAR, TR LOCK		173	1-674-789-11	SW(B) BOARD	
161	4-221-893-01	GEAR (C), RELAY		174	1-674-788-11	SW(A) BOARD	
162	4-992-187-01	CUSHION		* 175	4-993-034-01	GUIDE RAIL	
163	4-992-186-01	CUSHION, SW LEVER		176	4-221-901-01	TABLE, TURN	
164	4-992-173-01	GEAR (B), RELAY		M103	X-4948-765-1	MOTOR ASSY (TURN TABLE)	

## 8-5. CD MECHANISM DECK SECTION-2



Ref. No.	Part No.	Description	Remarks	Ref. No.	Part No.	Description	Remarks
201	1-769-856-11	WIRE (FLAT TYPE) (5 CORE)		211	4-992-193-01	LEVER, SW	
202	4-221-897-01	CAM, UD		212	1-674-791-11	SW(D) BOARD	
203	4-992-191-01	UD-GEAR		213	1-674-790-11	SW(C) BOARD	
204	4-992-195-01	MAGNET		215	4-992-201-01	WASHER, POLYETHYLENE	
206	4-992-197-01	BELT, LOADING GEAR		216	4-221-898-01	HOLDER, MAGNET	
207	4-992-198-01	PULLEY (B), GEAR		218	A-4426-391-A	CDRECORD BOARD, COMPLETE	
208	4-992-199-01	GEAR, SLIDE		219	4-221-900-01	COVER, MAGNET	
209	4-992-200-01	ROLLER		220	4-221-903-01	SPRING, MECHANICAL BASE	
210	4-992-192-01	SPRING, BRAKE CAM		M104	X-4948-766-1	MOTOR ASSY (A) (TRAY)	

## 8-6. BASE UNIT SECTION (KSM-213ECM)



Ref. No.	Part No.	Description	Remarks	Ref. No.	Part No.	Description	Remarks
251	4-992-164-01	BASE, KSM MECHANICAL		257	2-627-003-02	GEAR (B)	
252	4-992-165-01	DAMPER (GREEN)		259	1-639-678-12	MOTOR (6P)(S) BOARD	
253	4-992-166-01	DAMPER (RED)		260	1-783-740-11	WIRE (FLAT TYPE)	
254	4-992-167-01	SPRING, MECHANICAL BASE		△ 261	8-820-054-03	OPTICAL PICK-UP KSM-213ECM/C2NP	
255	2-626-907-01	GEAR (A)(S)		262	3-319-501-51	CREW (+ PTPWH) (2.6 × 16)	
256	2-626-908-01	SHAFT, SLED		M101	X-2625-877-1	MOTOR ASSY (SPINDLE)	
				M102	X-2625-769-1	MOTOR ASSY (SLED)	

The components identified by mark △ or dotted line with mark △ are critical for safety. Replace only with part number specified.

## SECTION 9 ELECTRICAL PARTS LIST

## NOTE:

- Due to standardization, replacements in the parts list may be different from the parts specified in the diagrams or the components used on the set.
- -XX, -X mean standardized parts, so they may have some difference from the original one.
- Items marked "\*" are not stocked since they are seldom required for routine service. Some delay should be anticipated when ordering these items.

- CAPACITORS:  
uF:  $\mu$ F
- RESISTORS  
All resistors are in ohms.  
METAL: metal-film resistor  
METAL OXIDE: Metal Oxide-film resistor  
F: nonflammable
- Abbreviation  
MX : Mexican model  
SA : South African model  
AED : North European model  
G : German model  
AUS : Australian model

- COILS  
uH:  $\mu$ H
- SEMICONDUCTORS  
In each case, u:  $\mu$ , for example:  
uA...:  $\mu$ A..., uPA...,  $\mu$ PA...,  
uPB...,  $\mu$ PB..., uPC...,  $\mu$ PC...,  
uPD...,  $\mu$ PD...

When indicating parts by reference number, please include the board name.

The components identified by mark  $\Delta$  or dotted line with mark  $\Delta$  are critical for safety. Replace only with part number specified.

Ref. No.	Part No.	Description	Remarks	Ref. No.	Part No.	Description	Remarks
	A-4426-701-A	AMP BOARD, COMPLETE *****		D506	8-719-010-76	DIODE UZ-13BS	
				D507	8-719-110-08	DIODE UZ-8.2BS	
				D508	8-719-991-33	DIODE 1SS133T-77	
*	1-533-213-31	HOLDER, FUSE		D509	8-719-991-33	DIODE 1SS133T-77	
		< CAPACITOR >		D510	8-719-991-33	DIODE 1SS133T-77	
C501	1-161-494-00	CERAMIC 0.022uF	25V	D511	8-719-991-33	DIODE 1SS133T-77	
C502	1-161-494-00	CERAMIC 0.022uF	25V			< FUSE >	
C503	1-126-943-11	ELECT 2200uF 20%	25V	$\Delta$ F501	1-532-388-31	FUSE, TIME LAG 2A 250V (GRX40AV:AUS,SAVRXD6AV)	
C504	1-126-934-11	ELECT 220uF 20%	16V	$\Delta$ F501	1-576-104-11	FUSE 2A/250V (GRX40AV:MX)	
C505	1-161-494-00	CERAMIC 0.022uF	25V			< IC >	
C506	1-161-494-00	CERAMIC 0.022uF	25V	IC501	8-749-015-44	IC STK407-070E	
C507	1-126-935-11	ELECT 470uF 20%	16V			< TRANSISTOR >	
C508	1-104-665-11	ELECT 100uF 20%	10V	Q501	8-729-822-89	TRANSISTOR 2SD1667	
C509	1-161-494-00	CERAMIC 0.022uF	25V	Q502	8-729-188-23	TRANSISTOR 2SD882-P	
C510	1-161-494-00	CERAMIC 0.022uF	25V	Q503	8-729-184-53	TRANSISTOR 2SC1841-EA	
C511	1-126-925-11	ELECT 470uF 20%	10V	Q504	8-729-184-53	TRANSISTOR 2SC1841-EA	
C512	1-161-494-00	CERAMIC 0.022uF	25V	Q505	8-729-140-82	TRANSISTOR 2SA988-EA	
C513	1-161-494-00	CERAMIC 0.022uF	25V			< RESISTOR >	
C514	1-126-960-11	ELECT 1uF 20%	50V	R501	1-249-401-11	CARBON 47 5% 1/4W F	
C515	1-162-302-11	CERAMIC 0.0022uF 20%	16V	R502	1-249-399-11	CARBON 33 5% 1/4W F	
C516	1-162-302-11	CERAMIC 0.0022uF 20%	16V	R503	1-247-855-11	CARBON 10K 5% 1/4W	
C517	1-109-953-11	ELECT 2.2uF 20%	50V	R504	1-247-863-11	CARBON 22K 5% 1/4W	
C518	1-109-953-11	ELECT 2.2uF 20%	50V	R505	1-247-855-11	CARBON 10K 5% 1/4W	
C519	1-162-207-31	CERAMIC 22PF 5%	50V	R506	1-249-438-11	CARBON 56K 5% 1/4W	
C520	1-162-207-31	CERAMIC 22PF 5%	50V	R507	1-249-438-11	CARBON 56K 5% 1/4W	
C521	1-137-399-11	FILM 0.1uF 5%	100V	R508	1-249-420-11	CARBON 1.8K 5% 1/4W F	
C522	1-137-399-11	FILM 0.1uF 5%	100V	R509	1-249-420-11	CARBON 1.8K 5% 1/4W F	
C523	1-126-966-11	ELECT 33uF 20%	16V	R510	1-249-438-11	CARBON 56K 5% 1/4W	
C524	1-126-966-11	ELECT 33uF 20%	16V	R511	1-249-438-11	CARBON 56K 5% 1/4W	
C525	1-161-494-00	CERAMIC 0.022uF	25V	R512	1-260-072-11	CARBON 4.7 5% 1/2W	
C526	1-161-494-00	CERAMIC 0.022uF	25V	R513	1-260-072-11	CARBON 4.7 5% 1/2W	
C527	1-126-961-11	ELECT 2.2uF 20%	50V	R514	1-247-879-11	CARBON 100K 5% 1/4W	
C528	1-126-964-11	ELECT 10uF 20%	50V	R515	1-247-879-11	CARBON 100K 5% 1/4W	
C529	1-126-964-11	ELECT 10uF 20%	50V	R516	1-249-417-11	CARBON 1K 5% 1/4W F	
C530	1-128-582-11	ELECT 10uF 20%	63V	R517	1-249-417-11	CARBON 1K 5% 1/4W F	
C531	1-128-582-11	ELECT 10uF 20%	63V	R518	1-249-431-11	CARBON 15K 5% 1/4W	
C532	1-128-551-11	ELECT 22uF 20%	25V	R519	1-249-431-11	CARBON 15K 5% 1/4W	
C593	1-162-282-31	CERAMIC 100PF 10%	50V	R520	1-220-755-11	METAL 0.22 10% 2W	
C594	1-162-282-31	CERAMIC 100PF 10%	50V	R521	1-220-755-11	METAL 0.22 10% 2W	
		< CONNECTOR >		R522	1-249-430-11	CARBON 12K 5% 1/4W	
* CN501	1-564-506-11	PLUG, CONNECTOR 3P		R523	1-247-839-11	CARBON 2.2K 5% 1/4W	
		< DIODE >		R524	1-249-430-11	CARBON 12K 5% 1/4W	
D501	8-719-031-85	DIODE 1N4002L		R534	1-247-862-11	CARBON 20K 5% 1/4W	
D502	8-719-031-85	DIODE 1N4002L					
D503	8-719-031-85	DIODE 1N4002L					
D504	8-719-031-85	DIODE 1N4002L					
D505	8-719-031-85	DIODE 1N4002L					



Ref. No.	Part No.	Description	Remarks	Ref. No.	Part No.	Description	Remarks
R535	1-249-405-11	CARBON	100 5% 1/4W F	C757	1-162-306-11	CERAMIC	0.01uF 20% 16V
R536	1-249-405-11	CARBON	100 5% 1/4W F	C759	1-162-290-31	CERAMIC	470PF 10% 50V
R576	1-247-871-11	CARBON	47K 5% 1/4W	C760	1-162-286-31	CERAMIC	220PF 10% 50V
*****				C761	1-136-169-00	FILM	0.22uF 5% 50V
A-4426-391-A CD DECORD BOARD, COMPLETE				C762	1-137-393-11	FILM	0.01uF 5% 100V
*****				C763	1-161-494-00	CERAMIC	0.022uF 25V
< CAPACITOR >				C764	1-104-665-11	ELECT	100uF 20% 10V
C701	1-104-664-11	ELECT	47uF 20% 16V	C765	1-162-294-31	CERAMIC	0.001uF 10% 50V
C702	1-137-399-11	FILM	0.1uF 5% 100V	C766	1-162-294-31	CERAMIC	0.001uF 10% 50V
C703	1-137-399-11	FILM	0.1uF 5% 100V	C767	1-162-294-31	CERAMIC	0.001uF 10% 50V
C704	1-137-352-11	FILM	0.033uF 5% 100V	C768	1-162-294-31	CERAMIC	0.001uF 10% 50V
C705	1-137-393-11	FILM	0.01uF 5% 100V	C769	1-162-294-31	CERAMIC	0.001uF 10% 50V
C706	1-128-551-11	ELECT	22uF 20% 25V	C770	1-164-159-11	CERAMIC	0.1uF 50V
C707	1-162-203-31	CERAMIC	15PF 5% 50V	C771	1-161-494-00	CERAMIC	0.022uF 25V
C708	1-164-159-11	CERAMIC	0.1uF 50V	C772	1-161-494-00	CERAMIC	0.022uF 25V
C711	1-162-600-11	CERAMIC	0.0047uF 30% 16V	C773	1-102-961-00	CERAMIC	27PF 5% 50V
C712	1-162-306-11	CERAMIC	0.01uF 20% 16V	C774	1-102-961-00	CERAMIC	27PF 5% 50V
C713	1-136-291-11	FILM	0.0068uF 5% 100V	C777	1-162-294-31	CERAMIC	0.001uF 10% 50V
C714	1-137-397-11	FILM	0.047uF 5% 100V	C778	1-162-294-31	CERAMIC	0.001uF 10% 50V
C715	1-161-494-00	CERAMIC	0.022uF 25V	C779	1-162-282-31	CERAMIC	100PF 10% 50V
C716	1-137-399-11	FILM	0.1uF 5% 100V	C780	1-162-294-31	CERAMIC	0.001uF 10% 50V
C717	1-104-665-11	ELECT	100uF 20% 10V	C781	1-162-284-31	CERAMIC	150PF 10% 50V
C718	1-104-665-11	ELECT	100uF 20% 10V	C782	1-162-284-31	CERAMIC	150PF 10% 50V
C719	1-137-399-11	FILM	0.1uF 5% 100V	C783	1-162-292-31	CERAMIC	680PF 10% 50V
C720	1-137-389-11	FILM	0.0022uF 5% 100V	C784	1-162-292-31	CERAMIC	680PF 10% 50V
C721	1-137-399-11	FILM	0.1uF 5% 100V	C785	1-126-963-11	ELECT	4.7uF 20% 50V
C722	1-137-399-11	FILM	0.1uF 5% 100V	C786	1-126-963-11	ELECT	4.7uF 20% 50V
C723	1-137-399-11	FILM	0.1uF 5% 100V	C787	1-162-294-31	CERAMIC	0.001uF 10% 50V
C724	1-107-713-11	ELECT	4.7uF 20% 50V	C788	1-162-294-31	CERAMIC	0.001uF 10% 50V
C725	1-137-352-11	FILM	0.033uF 5% 100V	C789	1-161-494-00	CERAMIC	0.022uF 25V
C726	1-137-462-11	FILM	0.018uF 5% 100V	C790	1-126-927-11	ELECT	2200uF 20% 10V
C727	1-162-199-31	CERAMIC	10PF 5% 50V	C791	1-164-159-11	CERAMIC	0.1uF 50V
C728	1-137-398-11	FILM	0.068uF 5% 100V	C792	1-162-302-11	CERAMIC	0.0022uF 30% 16V
C729	1-126-962-11	ELECT	3.3uF 20% 50V	C793	1-162-302-11	CERAMIC	0.0022uF 30% 16V
C730	1-162-215-31	CERAMIC	47PF 5% 50V	C794	1-162-302-11	CERAMIC	0.0022uF 30% 16V
C731	1-164-159-11	CERAMIC	0.1uF 50V	C795	1-164-159-11	CERAMIC	0.1uF 50V
C732	1-161-494-00	CERAMIC	0.022uF 25V	C797	1-161-494-00	CERAMIC	0.022uF 25V
C733	1-104-665-11	ELECT	100uF 20% 10V	C798	1-126-963-11	ELECT	4.7uF 20% 50V
C734	1-161-494-00	CERAMIC	0.022uF 25V	C799	1-161-494-00	CERAMIC	0.022uF 25V
C735	1-126-925-11	ELECT	470uF 20% 10V	C771A	1-161-494-00	CERAMIC	0.022uF 25V
C736	1-162-294-31	CERAMIC	0.001uF 10% 50V	C779A	1-126-960-11	ELECT	1uF 20% 50V
C737	1-162-306-11	CERAMIC	0.01uF 20% 16V	C780A	1-126-960-11	ELECT	1uF 20% 50V
C738	1-164-159-11	CERAMIC	0.1uF 50V	C790A	1-161-494-00	CERAMIC	0.022uF 25V
C740	1-126-925-11	ELECT	470uF 20% 10V	C799B	1-104-665-11	ELECT	100uF 20% 10V
C741	1-161-494-00	CERAMIC	0.022uF 25V	< CONNECTOR >			
C742	1-161-494-00	CERAMIC	0.022uF 25V	QN701	1-580-475-11	SOCKET, CONNECTOR 16P	
C743	1-126-927-11	ELECT	2200uF 20% 10V	QN705	1-568-822-21	SOCKET, CONNECTOR 22P	
C744	1-162-306-11	CERAMIC	0.01uF 20% 16V	* QN706	1-568-824-11	SOCKET, CONNECTOR 5P	
C745	1-162-306-11	CERAMIC	0.01uF 20% 16V	* QN707	1-564-709-11	PIN, CONNECTOR (SMALL TYPE) 7P	
C746	1-107-713-11	ELECT	4.7uF 20% 35V	< DIODE >			
C746A	1-126-963-11	ELECT	4.7uF 20% 50V	D703	8-719-991-33	DIODE 1SS133T-77	
C751	1-162-306-11	CERAMIC	0.01uF 20% 16V	D707	8-719-991-33	DIODE 1SS133T-77	
C752	1-126-964-11	ELECT	10uF 20% 50V	D708	8-719-991-33	DIODE 1SS133T-77	
C753	1-161-494-00	CERAMIC	0.022uF 25V	D797A	8-719-991-33	DIODE 1SS133T-77	
C754	1-104-665-11	ELECT	100uF 20% 10V	< IC >			
C755	1-161-494-00	CERAMIC	0.022uF 25V	IC701	8-752-082-14	IC CXA1992BR	
C756	1-136-173-00	FILM	0.47uF 5% 50V	IC702	8-752-384-13	IC CXD2589Q	
				IC703	8-759-579-80	IC BA5936S	
				IC704	8-759-234-75	IC TC74HC4094AP	
				IC705	8-759-505-55	IC NJM4558L	



# CD DECORD

Ref. No.	Part No.	Description	Remarks	Ref. No.	Part No.	Description	Remarks
< COIL >							
L704	1-410-509-11	INDUCTOR 10uH		R755	1-247-871-11	CARBON 47K 5%	1/4W
L705	1-410-509-11	INDUCTOR 10uH		R756	1-247-867-11	CARBON 33K 5%	1/4W
< TRANSISTOR >							
Q701	8-729-195-23	TRANSISTOR 2SA952-L		R758	1-247-871-11	CARBON 47K 5%	1/4W
Q702	8-729-195-23	TRANSISTOR 2SA952-L		R759	1-247-843-11	CARBON 3.3K 5%	1/4W
Q703	8-729-195-23	TRANSISTOR 2SA952-L		R760	1-249-417-11	CARBON 1K 5%	1/4W F
Q705	8-729-194-57	TRANSISTOR 2SC945TP-P		R761	1-247-855-11	CARBON 10K 5%	1/4W
Q706	8-729-194-57	TRANSISTOR 2SC945TP-P		R762	1-247-903-00	CARBON 1M 5%	1/4W
Q707	8-729-195-23	TRANSISTOR 2SA952-L		R763	1-247-887-00	CARBON 220K 5%	1/4W
Q708	8-729-195-23	TRANSISTOR 2SA952-L		R764	1-247-855-11	CARBON 10K 5%	1/4W
< RESISTOR >							
R701	1-249-393-11	CARBON 10 5%	1/4W F	R765	1-247-871-11	CARBON 47K 5%	1/4W
R704	1-247-862-11	CARBON 20K 5%	1/4W	R766	1-249-417-11	CARBON 1K 5%	1/4W F
R705	1-247-855-11	CARBON 10K 5%	1/4W	R767	1-249-417-11	CARBON 1K 5%	1/4W F
R706	1-249-430-11	CARBON 12K 5%	1/4W	R771	1-249-417-11	CARBON 1K 5%	1/4W F
R707	1-247-903-00	CARBON 1M 5%	1/4W	R773	1-249-442-11	CARBON 510 5%	1/4W
R710	1-247-887-00	CARBON 220K 5%	1/4W	R774	1-247-903-00	CARBON 1M 5%	1/4W
R711	1-247-883-00	CARBON 150K 5%	1/4W	R775	1-247-867-11	CARBON 33K 5%	1/4W
R713	1-247-879-11	CARBON 100K 5%	1/4W	R777	1-247-839-11	CARBON 2.2K 5%	1/4W
R714	1-249-439-11	CARBON 68K 5%	1/4W	R778	1-247-839-11	CARBON 2.2K 5%	1/4W
R715	1-249-439-11	CARBON 68K 5%	1/4W	R779	1-247-839-11	CARBON 2.2K 5%	1/4W
R716	1-249-439-11	CARBON 68K 5%	1/4W	R780	1-247-839-11	CARBON 2.2K 5%	1/4W
R717	1-249-439-11	CARBON 68K 5%	1/4W	R781	1-249-430-11	CARBON 12K 5%	1/4W
R718	1-247-879-11	CARBON 100K 5%	1/4W	R782	1-249-430-11	CARBON 12K 5%	1/4W
R719	1-247-883-00	CARBON 150K 5%	1/4W	R783	1-249-430-11	CARBON 12K 5%	1/4W
R720	1-247-891-00	CARBON 330K 5%	1/4W	R784	1-249-430-11	CARBON 12K 5%	1/4W
R721	1-247-885-00	CARBON 180K 5%	1/4W	R785	1-249-430-11	CARBON 12K 5%	1/4W
R722	1-247-807-11	CARBON 100 5%	1/4W	R786	1-249-430-11	CARBON 12K 5%	1/4W
R723	1-247-855-11	CARBON 10K 5%	1/4W	R787	1-247-839-11	CARBON 2.2K 5%	1/4W
R724	1-247-855-11	CARBON 10K 5%	1/4W	R788	1-247-839-11	CARBON 2.2K 5%	1/4W
R725	1-247-899-11	CARBON 680K 5%	1/4W	R789	1-247-847-11	CARBON 4.7K 5%	1/4W
R726	1-249-440-11	CARBON 82K 5%	1/4W	R790	1-247-847-11	CARBON 4.7K 5%	1/4W
R727	1-247-896-11	CARBON 510K 5%	1/4W	R795	1-249-417-11	CARBON 1K 5%	1/4W F
R728	1-247-807-11	CARBON 100 5%	1/4W	R796	1-249-417-11	CARBON 1K 5%	1/4W F
R729	1-249-439-11	CARBON 68K 5%	1/4W	R797	1-249-417-11	CARBON 1K 5%	1/4W F
R730	1-247-871-11	CARBON 47K 5%	1/4W	R710A	1-249-417-11	CARBON 1K 5%	1/4W F
R731	1-249-417-11	CARBON 1K 5%	1/4W F	R747A	1-247-855-11	CARBON 10K 5%	1/4W
R732	1-247-883-00	CARBON 150K 5%	1/4W	R748A	1-249-417-11	CARBON 1K 5%	1/4W F
R733	1-249-430-11	CARBON 12K 5%	1/4W	R766A	1-249-417-11	CARBON 1K 5%	1/4W F
R734	1-247-876-11	CARBON 75K 5%	1/4W	R767A	1-249-417-11	CARBON 1K 5%	1/4W F
R735	1-247-879-11	CARBON 100K 5%	1/4W	R768A	1-249-417-11	CARBON 1K 5%	1/4W F
R736	1-247-807-11	CARBON 100 5%	1/4W	R778L	1-247-847-11	CARBON 4.7K 5%	1/4W
R737	1-249-417-11	CARBON 1K 5%	1/4W F	R778R	1-247-847-11	CARBON 4.7K 5%	1/4W
R739	1-247-807-11	CARBON 100 5%	1/4W	R780A	1-249-417-11	CARBON 1K 5%	1/4W F
R740	1-249-431-11	CARBON 15K 5%	1/4W	R795A	1-247-855-11	CARBON 10K 5%	1/4W
R741	1-249-431-11	CARBON 15K 5%	1/4W	R796A	1-247-855-11	CARBON 10K 5%	1/4W
R742	1-249-385-11	CARBON 2.2 5%	1/6W F	R798L	1-247-855-11	CARBON 10K 5%	1/4W
R743	1-247-863-11	CARBON 22K 5%	1/4W	R798R	1-247-855-11	CARBON 10K 5%	1/4W
R744	1-247-863-11	CARBON 22K 5%	1/4W	< VIBRATOR >			
R745	1-247-863-11	CARBON 22K 5%	1/4W				
R746	1-249-432-11	CARBON 18K 5%	1/4W				
R747	1-249-432-11	CARBON 18K 5%	1/4W				
R748	1-247-847-11	CARBON 4.7K 5%	1/4W				
R751	1-247-863-11	CARBON 22K 5%	1/4W				
R752	1-247-867-11	CARBON 33K 5%	1/4W				
R753	1-249-428-11	CARBON 8.2K 5%	1/4W F				
				XTL01 1-567-908-11 VIBRATOR, CRYSTAL 16.9344MHZ			
				*****			

Ref. No.	Part No.	Description	Remarks	Ref. No.	Part No.	Description	Remarks
A-4426-956-A		FLD BOARD, COMPLETE (GRX40AV:AUS,SA)		D608	8-719-911-19	DIODE 1SS133T-72	
		*****		D609	8-719-911-19	DIODE 1SS133T-72 (RXD6AV)	
A-4426-960-A		FLD BOARD, COMPLETE (RXD6AV)		D610	8-719-911-19	DIODE 1SS133T-72 (GRX40AV)	
		*****		D611	8-719-911-19	DIODE 1SS133T-72 (RXD6AV)	
A-4426-958-A		FLD BOARD, COMPLETE (GRX40AV:MX)		D612	8-719-911-19	DIODE 1SS133T-72 (GRX40AV)	
		*****					
		< CAPACITOR >		D613	8-719-911-19	DIODE 1SS133T-72	
G601	1-126-926-11	ELECT	1000uF 20% 10V	D615	8-719-911-19	DIODE 1SS133T-72	
G602	1-161-494-00	CERAMIC	0.022uF 25V	D617	8-719-911-19	DIODE 1SS133T-72	
G603	1-164-159-11	CERAMIC	0.1uF 50V	D618	8-719-911-19	DIODE 1SS133T-72	
G604	1-126-933-11	ELECT	100uF 20% 16V	D619	8-719-911-19	DIODE 1SS133T-72	
G605	1-104-664-11	ELECT	47uF 20% 16V	D620	8-719-911-19	DIODE 1SS133T-72	
G606	1-164-159-11	CERAMIC	0.1uF 50V	D621	8-719-911-19	DIODE 1SS133T-72	
G608	1-126-958-11	ELECT	0.33uF 20% 50V	D622	8-719-911-19	DIODE 1SS133T-72	
G609	1-164-159-11	CERAMIC	0.1uF 50V	D623	8-719-911-19	DIODE 1SS133T-72	
G610	1-126-964-11	ELECT	10uF 20% 50V	D624	8-719-911-19	DIODE 1SS133T-72	
G611	1-161-494-00	CERAMIC	0.022uF 25V	D625	8-719-911-19	DIODE 1SS133T-72	
G612	1-126-160-11	ELECT	1uF 20% 50V	D626	8-719-911-19	DIODE 1SS133T-72	
G613	1-102-960-00	CERAMIC	24PF 5% 50V	D627	8-719-911-19	DIODE 1SS133T-72	
G614	1-102-960-00	CERAMIC	24PF 5% 50V	D628	8-719-911-19	DIODE 1SS133T-72	
G615	1-126-964-11	ELECT	10uF 20% 50V	D629	8-719-911-19	DIODE 1SS133T-72	
G616	1-164-206-41	CERAMIC	0.047uF 99% 50V	D630	8-719-911-19	DIODE 1SS133T-72	
G617	1-162-286-31	CERAMIC	220PF 10% 50V			< FLUORESCENT INDICATOR >	
G618	1-162-286-31	CERAMIC	220PF 10% 50V	FLD601	1-517-731-21	INDICATOR TUBE, FLUORESCENT	
G619	1-162-286-31	CERAMIC	220PF 10% 50V			< IC >	
G620	1-162-286-31	CERAMIC	220PF 10% 50V	IC601	8-752-905-80	IC CXP82040-109Q	
G622	1-162-286-31	CERAMIC	220PF 10% 50V	IC602	8-759-234-75	IC TC74HC4094AP	
G623	1-162-286-31	CERAMIC	220PF 10% 50V	IC603	8-759-916-52	IC TC74HC165AP	
G624	1-162-286-31	CERAMIC	220PF 10% 50V			< COIL >	
G625	1-162-286-31	CERAMIC	220PF 10% 50V	L601	1-408-096-00	COIL 470uH	
G626	1-162-286-31	CERAMIC	220PF 10% 50V			< TRANSISTOR >	
G629	1-126-934-11	ELECT	220uF 20% 16V	Q601	8-729-194-57	TRANSISTOR 2SC945TP-P	
G630	1-162-286-31	CERAMIC	220PF 10% 50V	Q602	8-729-194-57	TRANSISTOR 2SC945TP-P	
G632	1-126-957-11	ELECT	0.22uF 20% 50V	Q603	8-729-194-57	TRANSISTOR 2SC945TP-P	
G633	1-130-489-11	MYLAR	0.033uF 5% 50V	Q604	8-729-119-76	TRANSISTOR 2SA733-P	
G634	1-126-957-11	ELECT	0.22uF 20% 50V	Q608	8-729-194-57	TRANSISTOR 2SC945TP-P	
G635	1-162-302-11	CERAMIC	0.0022uF 20% 16V	Q609	8-729-194-57	TRANSISTOR 2SC945TP-P	
G636	1-126-957-11	ELECT	0.22uF 20% 50V	Q610	8-729-194-57	TRANSISTOR 2SC945TP-P	
G637	1-126-957-11	ELECT	0.22uF 20% 50V	Q611	8-729-993-43	TRANSISTOR 2SA934R	
G638	1-162-306-11	CERAMIC	0.01uF 20% 16V	Q612	8-729-993-43	TRANSISTOR 2SA934R	
G639	1-126-959-11	ELECT	0.47uF 20% 50V	Q613	8-729-993-43	TRANSISTOR 2SA934R	
G640	1-126-957-11	ELECT	0.22uF 20% 50V			< RESISTOR >	
G641	1-164-206-41	CERAMIC	0.047uF 99% 50V	R601	1-247-871-11	CARBON 47K 5% 1/4W	
G642	1-126-957-11	ELECT	0.22uF 20% 50V	R602	1-249-417-11	CARBON 1K 5% 1/4W F	
G643	1-162-293-31	CERAMIC	820PF 10% 50V	R603	1-247-871-11	CARBON 47K 5% 1/4W	
G646	1-124-259-11	ELECT	4.7uF 20% 50V	R604	1-249-417-11	CARBON 1K 5% 1/4W F	
		< CONNECTOR >		R605	1-247-871-11	CARBON 47K 5% 1/4W	
CN101	1-793-583-11	HOUSING, CONNECTOR 16P		R606	1-249-417-11	CARBON 1K 5% 1/4W F	
CN102	1-793-583-11	HOUSING, CONNECTOR 16P		R607	1-249-431-11	CARBON 15K 5% 1/4W	
CN603	1-568-835-21	SOCKET, CONNECTOR 16P		R608	1-247-871-11	CARBON 47K 5% 1/4W	
CN605	1-568-822-21	SOCKET, CONNECTOR 22P		R609	1-247-871-11	CARBON 47K 5% 1/4W	
		< DIODE >		R613	1-247-855-11	CARBON 10K 5% 1/4W	
D601	8-719-200-02	DIODE 1N4002		R614	1-247-855-11	CARBON 10K 5% 1/4W	
D602	8-719-200-02	DIODE 1N4002		R615	1-247-855-11	CARBON 10K 5% 1/4W	
D603	8-719-911-19	DIODE 1SS133T-72		R616	1-247-855-11	CARBON 10K 5% 1/4W	
D604	8-719-911-19	DIODE 1SS133T-72		R617	1-247-855-11	CARBON 10K 5% 1/4W	
D605	8-719-911-19	DIODE 1SS133T-72		R618	1-247-855-11	CARBON 10K 5% 1/4W	

**FLD**

**FRONT**

Ref. No.	Part No.	Description	Remarks
R619	1-247-855-11	CARBON 10K 5%	1/4W
R620	1-247-855-11	CARBON 10K 5%	1/4W
R621	1-247-855-11	CARBON 10K 5%	1/4W
R622	1-247-855-11	CARBON 10K 5%	1/4W
R623	1-247-855-11	CARBON 10K 5%	1/4W
R624	1-247-855-11	CARBON 10K 5%	1/4W
R625	1-247-855-11	CARBON 10K 5%	1/4W
R626	1-247-855-11	CARBON 10K 5%	1/4W
R630	1-249-417-11	CARBON 1K 5%	1/4W F
R631	1-247-839-11	CARBON 2.2K 5%	1/4W
R632	1-247-839-11	CARBON 2.2K 5%	1/4W
R633	1-247-839-11	CARBON 2.2K 5%	1/4W
R634	1-247-847-11	CARBON 4.7K 5%	1/4W
R635	1-247-847-11	CARBON 4.7K 5%	1/4W
R636	1-247-847-11	CARBON 4.7K 5%	1/4W
R637	1-247-855-11	CARBON 10K 5%	1/4W
R638	1-249-417-11	CARBON 1K 5%	1/4W F
R639	1-247-847-11	CARBON 4.7K 5%	1/4W
R640	1-247-855-11	CARBON 10K 5%	1/4W
R641	1-249-417-11	CARBON 1K 5%	1/4W F
R642	1-247-847-11	CARBON 4.7K 5%	1/4W
R643	1-247-847-11	CARBON 4.7K 5%	1/4W
R644	1-247-847-11	CARBON 4.7K 5%	1/4W
R645	1-247-847-11	CARBON 4.7K 5%	1/4W
R646	1-247-847-11	CARBON 4.7K 5%	1/4W
R647	1-249-424-11	CARBON 3.9K 5%	1/4W F
R648	1-249-417-11	CARBON 1K 5%	1/4W F
R649	1-249-417-11	CARBON 1K 5%	1/4W F
R650	1-247-863-11	CARBON 22K 5%	1/4W
R651	1-247-863-11	CARBON 22K 5%	1/4W
R652	1-247-847-11	CARBON 4.7K 5%	1/4W
R653	1-247-847-11	CARBON 4.7K 5%	1/4W
R654	1-247-847-11	CARBON 4.7K 5%	1/4W
R655	1-247-855-11	CARBON 10K 5%	1/4W
R656	1-249-417-11	CARBON 1K 5%	1/4W F
R657	1-247-835-11	CARBON 1.5K 5%	1/4W
R658	1-247-887-00	CARBON 220K 5%	1/4W
R659	1-247-871-11	CARBON 47K 5%	1/4W
R660	1-247-895-00	CARBON 470K 5%	1/4W
R661	1-247-871-11	CARBON 47K 5%	1/4W
R662	1-247-895-00	CARBON 470K 5%	1/4W
R664	1-247-871-11	CARBON 47K 5%	1/4W
R665	1-247-895-00	CARBON 470K 5%	1/4W
R666	1-247-835-11	CARBON 1.5K 5%	1/4W
R668	1-247-871-11	CARBON 47K 5%	1/4W
R669	1-247-895-00	CARBON 470K 5%	1/4W
R671	1-249-438-11	CARBON 56K 5%	1/4W
R672	1-247-895-00	CARBON 470K 5%	1/4W
R673	1-247-835-11	CARBON 1.5K 5%	1/4W
R674	1-247-835-11	CARBON 1.5K 5%	1/4W
R675	1-247-871-11	CARBON 47K 5%	1/4W
R676	1-249-407-11	CARBON 150 5%	1/4W F
< ADJUSTABLE RESISTOR >			
SRF601	1-238-598-11	RES, ADJ, CARBON 2.2K	
< VIBRATOR >			
X601	1-567-925-11	VIBRATOR, CRYSTAL 10MHZ	

\*\*\*\*\*

Ref. No.	Part No.	Description	Remarks
A-4426-690-A FRONT BOARD, COMPLETE *****			
< CAPACITOR >			
C701	1-124-261-00	ELECT 10uF 20%	50V
C702	1-161-494-00	CERAMIC 0.022uF	25V
C703	1-162-286-31	CERAMIC 220PF 10%	50V
C704	1-162-286-31	CERAMIC 220PF 10%	50V
C705	1-162-286-31	CERAMIC 220PF 10%	50V
< CONNECTOR >			
CN601	1-564-707-11	PIN, CONNECTOR (SMALL TYPE) 5P	
* CN602	1-564-713-11	PIN, CONNECTOR (SMALL TYPE) 11P	
< DIODE >			
D631	8-719-911-19	DIODE 1SS133T-72	
< IC >			
IC701	8-759-275-23	IC BU2092	
IC702	8-759-275-23	IC BU2092	
< LED >			
LED704	8-719-046-80	LED SML19416W-TP4 (▶▶ CD)	
LED706	8-719-317-11	LED SEL1710Y (GROOVE)	
LED707	8-719-921-01	LED SEL1110R (ENTER/EXIT)	
LED708	8-719-310-60	LED SEL1510C-C (▶ TAPE A)	
LED709	8-719-310-60	LED SEL1510C-C (◀ TAPE A)	
LED710	8-719-310-60	LED SEL1510C-C (◀ TAPE B)	
LED711	8-719-310-60	LED SEL1510C-C (▶ TAPE B)	
LED712	8-719-921-01	LED SEL1110R (REC)	
LED713	8-719-317-11	LED SEL1710Y (PAUSE)	
LED714	8-719-317-11	LED SEL1710Y (◀◀ -)	
LED715	8-719-317-11	LED SEL1710Y (▶▶ +)	
LED716	8-719-921-01	LED SEL1110R (◀◀▶▶)	
LED717	8-719-317-11	LED SEL1710Y (DSP)	
LED718	8-719-317-11	LED SEL1710Y (DOLBY PRO LOGIC)	
< TRANSISTOR >			
Q701	8-729-026-29	TRANSISTOR 2SJ346	
Q702	8-729-026-29	TRANSISTOR 2SJ346	
Q703	8-729-026-29	TRANSISTOR 2SJ346	
Q704	8-729-026-29	TRANSISTOR 2SJ346	
Q705	8-729-026-29	TRANSISTOR 2SJ346	
Q706	8-729-026-29	TRANSISTOR 2SJ346	
Q707	8-729-026-29	TRANSISTOR 2SJ346	
Q708	8-729-026-29	TRANSISTOR 2SJ346	
< RESISTOR >			
R701	1-249-408-11	CARBON 180 5%	1/4W F
R702	1-249-410-11	CARBON 270 5%	1/4W F
R703	1-249-407-11	CARBON 150 5%	1/4W F
R704	1-249-407-11	CARBON 150 5%	1/4W F
R705	1-249-410-11	CARBON 270 5%	1/4W F
R706	1-249-410-11	CARBON 270 5%	1/4W F
R707	1-249-410-11	CARBON 270 5%	1/4W F
R708	1-249-410-11	CARBON 270 5%	1/4W F
R709	1-249-410-11	CARBON 270 5%	1/4W F
R710	1-249-410-11	CARBON 270 5%	1/4W F

## FRONT

## FRONT AMP

Ref. No.	Part No.	Description	Remarks	Ref. No.	Part No.	Description	Remarks
R711	1-249-407-11	CARBON	150 5%	1/4W F	S719	1-572-647-11	SWITCH, KEY BOARD (◀ TAPE A)
R712	1-249-407-11	CARBON	150 5%	1/4W F	S720	1-572-647-11	SWITCH, KEY BOARD (◀ TAPE B)
R713	1-249-407-11	CARBON	150 5%	1/4W F	S721	1-572-647-11	SWITCH, KEY BOARD (▶ TAPE B)
R714	1-249-407-11	CARBON	150 5%	1/4W F	S722	1-572-647-11	SWITCH, KEY BOARD (▶ CD)
R715	1-249-407-11	CARBON	150 5%	1/4W F	S723	1-572-647-11	SWITCH, KEY BOARD (TUNER/BAND)
R716	1-249-407-11	CARBON	150 5%	1/4W F	S724	1-572-647-11	SWITCH, KEY BOARD (REC)
R717	1-249-410-11	CARBON	270 5%	1/4W F	S725	1-572-647-11	SWITCH, KEY BOARD (PAUSE)
R718	1-249-410-11	CARBON	270 5%	1/4W F	S726	1-572-647-11	SWITCH, KEY BOARD (CD SYNC)
R719	1-249-410-11	CARBON	270 5%	1/4W F	S727	1-572-647-11	SWITCH, KEY BOARD (DOLBY PRO LOGIC)
R720	1-249-410-11	CARBON	270 5%	1/4W F	S728	1-572-647-11	SWITCH, KEY BOARD (DSP)
R721	1-249-410-11	CARBON	270 5%	1/4W F	S731	1-572-647-11	SWITCH, KEY BOARD (▶ TAPE B)
R722	1-247-827-11	CARBON	680 5%	1/4W	S732	1-572-647-11	SWITCH, KEY BOARD (FUNCTION)
R723	1-249-416-11	CARBON	820 5%	1/4W F	S733	1-572-647-11	SWITCH, KEY BOARD
R724	1-249-418-11	CARBON	1.2K 5%	1/4W F			(PLAY MODE TUNER MEMORY)
R725	1-247-835-11	CARBON	1.5K 5%	1/4W	S734	1-572-647-11	SWITCH, KEY BOARD
R726	1-247-839-11	CARBON	2.2K 5%	1/4W			(STEREO/MONO REPEAT)
R727	1-247-843-11	CARBON	3.3K 5%	1/4W	S735	1-572-647-11	SWITCH, KEY BOARD (EDIT/DIRECTION)
R728	1-247-847-11	CARBON	4.7K 5%	1/4W	S736	1-572-647-11	SWITCH, KEY BOARD (ENTER/NEXT)
R729	1-249-428-11	CARBON	8.2K 5%	1/4W F			< VARIABLE RESISTOR >
R730	1-249-431-11	CARBON	15K 5%	1/4W			
R731	1-247-864-11	CARBON	24K 5%	1/4W	VR601	1-475-841-11	ENCODER (◀▶▶▶)
R732	1-247-827-11	CARBON	680 5%	1/4W	VR602	1-475-807-11	ENCODER, ROTARY (VOLUME)
R733	1-249-416-11	CARBON	820 5%	1/4W F	*****		
R734	1-249-418-11	CARBON	1.2K 5%	1/4W F			
R735	1-247-835-11	CARBON	1.5K 5%	1/4W	A-4426-700-A	FRONT AMP BOARD, COMPLETE	
R736	1-247-839-11	CARBON	2.2K 5%	1/4W			*****
R737	1-247-843-11	CARBON	3.3K 5%	1/4W	7-685-645-79	SCREW +BVTP 3 × 6 TYPE2 TT(B)	
R738	1-247-847-11	CARBON	4.7K 5%	1/4W	7-685-646-79	SCREW +BVTP 3 × 8 TYPE2 TT(B)	
R739	1-249-428-11	CARBON	8.2K 5%	1/4W F	7-685-649-91	SCREW +BVTP 3 × 14 TYPE2 TT(B)	
R740	1-249-431-11	CARBON	15K 5%	1/4W			< CAPACITOR >
R741	1-247-864-11	CARBON	24K 5%	1/4W	C533	1-126-933-11	ELECT 100uF 20% 16V
R742	1-247-827-11	CARBON	680 5%	1/4W	C538	1-109-953-11	ELECT 2.2uF 20% 50V
R743	1-249-416-11	CARBON	820 5%	1/4W F	C539	1-162-302-11	CERAMIC 0.0022uF 20% 16V
R744	1-249-418-11	CARBON	1.2K 5%	1/4W F	C540	1-162-302-11	CERAMIC 0.0022uF 20% 16V
R745	1-247-835-11	CARBON	1.5K 5%	1/4W	C541	1-109-953-11	ELECT 2.2uF 20% 50V
R746	1-247-839-11	CARBON	2.2K 5%	1/4W	C542	1-109-953-11	ELECT 2.2uF 20% 50V
R747	1-247-843-11	CARBON	3.3K 5%	1/4W	C543	1-162-199-31	CERAMIC 10PF 5% 50V
R753	1-249-439-11	CARBON	68K 5%	1/4W	C544	1-162-199-31	CERAMIC 10PF 5% 50V
R755	1-247-863-11	CARBON	22K 5%	1/4W	C545	1-126-966-11	ELECT 33uF 20% 16V
R756	1-247-863-11	CARBON	22K 5%	1/4W	C546	1-126-966-11	ELECT 33uF 20% 16V
R757	1-247-879-11	CARBON	100K 5%	1/4W	C547	1-137-399-11	FILM 0.1uF 5% 100V
R758	1-247-879-11	CARBON	100K 5%	1/4W	C548	1-137-399-11	FILM 0.1uF 5% 100V
R759	1-247-879-11	CARBON	100K 5%	1/4W	C549	1-161-494-00	CERAMIC 0.022uF 25V
R760	1-247-879-11	CARBON	100K 5%	1/4W	C550	1-161-494-00	CERAMIC 0.022uF 25V
R761	1-247-879-11	CARBON	100K 5%	1/4W	C551	1-104-664-11	ELECT 47uF 20% 16V
R762	1-247-879-11	CARBON	100K 5%	1/4W	C552	1-126-767-11	ELECT 1000uF 20% 16V
R707A	1-247-855-11	CARBON	10K 5%	1/4W	C553	1-104-664-11	ELECT 47uF 20% 16V
R755A	1-247-879-11	CARBON	100K 5%	1/4W	C555	1-126-963-11	ELECT 4.7uF 20% 50V
R756A	1-247-879-11	CARBON	100K 5%	1/4W	C556	1-162-306-11	CERAMIC 0.01uF 20% 16V
		< SWITCH >			C557	1-126-933-11	ELECT 100uF 20% 16V
S707	1-572-647-11	SWITCH, KEY BOARD (CLOCK/TIMER SET)			C558	1-126-961-11	ELECT 2.2uF 20% 50V
S708	1-572-647-11	SWITCH, KEY BOARD (TIMER SELECT)			C559	1-126-964-11	ELECT 10uF 20% 50V
S709	1-572-647-11	SWITCH, KEY BOARD (DISPLAY)			C560	1-126-964-11	ELECT 10uF 20% 50V
S710	1-572-647-11	SWITCH, KEY BOARD (FILE SELECT)			C561	1-128-582-11	ELECT 10uF 20% 63V
S711	1-572-647-11	SWITCH, KEY BOARD (DBFB)			C562	1-128-582-11	ELECT 10uF 20% 63V
S712	1-572-647-11	SWITCH, KEY BOARD (GROOVE)			C591	1-162-282-31	CERAMIC 100PF 10% 50V
S713	1-572-647-11	SWITCH, KEY BOARD (+▶▶)			C592	1-162-282-31	CERAMIC 100PF 10% 50V
S714	1-572-647-11	SWITCH, KEY BOARD (◀◀-)					< CONNECTOR >
S717	1-572-647-11	SWITCH, KEY BOARD (DEMO)					
S718	1-572-647-11	SWITCH, KEY BOARD (■)					
					* QN505	1-564-704-11	PIN, CONNECTOR (SMALL TYPE) 2P

**FRONT AMP**

**FUSE**

**KEY**

Ref. No.	Part No.	Description	Remarks	Ref. No.	Part No.	Description	Remarks
		< DIODE >					
D512	8-719-991-33	DIODE 1SS133T-77		R561	1-247-839-11	CARBON 2.2K 5%	1/4W
D513	8-719-991-33	DIODE 1SS133T-77		R562	1-247-871-11	CARBON 47K 5%	1/4W
D514	8-719-991-33	DIODE 1SS133T-77		R563	1-247-855-11	CARBON 10K 5%	1/4W
D515	8-719-991-33	DIODE 1SS133T-77		R564	1-247-879-11	CARBON 100K 5%	1/4W
D516	8-719-991-33	DIODE 1SS133T-77		R565	1-247-839-11	CARBON 2.2K 5%	1/4W
D517	8-719-991-33	DIODE 1SS133T-77		R566	1-249-438-11	CARBON 56K 5%	1/4W
D518	8-719-991-33	DIODE 1SS133T-77		R567	1-247-847-11	CARBON 4.7K 5%	1/4W
D519	8-719-991-33	DIODE 1SS133T-77		R568	1-247-847-11	CARBON 4.7K 5%	1/4W
D520	8-719-010-68	DIODE UZ-11BS		R569	1-247-855-11	CARBON 10K 5%	1/4W
		< IC >		R571	1-249-417-11	CARBON 1K 5%	1/4W F
IC502	8-749-015-45	IC STK407-090E		R573	1-247-862-11	CARBON 20K 5%	1/4W
IC503	8-759-111-68	IC uPC1237HA		R574	1-247-855-11	CARBON 10K 5%	1/4W
		< TRANSISTOR >		R575	1-247-855-11	CARBON 10K 5%	1/4W
Q507	8-729-993-43	TRANSISTOR 2SA934R		R577	1-260-093-11	CARBON 330 5%	1/2W
Q508	8-729-142-46	TRANSISTOR 2SC2001-L		R578	1-247-871-11	CARBON 47K 5%	1/4W
Q509	8-729-048-99	TRANSISTOR 2SK2541		R579	1-247-854-11	CARBON 9.1K 5%	1/4W
Q510	8-729-048-99	TRANSISTOR 2SK2541		R580	1-247-847-11	CARBON 4.7K 5%	1/4W
Q511	8-729-184-53	TRANSISTOR 2SC1841-EA		R581	1-247-879-11	CARBON 100K 5%	1/4W
Q512	8-729-184-53	TRANSISTOR 2SC1841-EA		R582	1-247-693-11	CARBON 27 5%	1/4W F
Q513	8-729-231-55	TRANSISTOR 2SC2878-A				< THERMISTOR >	
Q514	8-729-231-55	TRANSISTOR 2SC2878-A		TH501	1-803-779-11	THERMISTOR	
Q515	8-729-140-82	TRANSISTOR 2SA988-EA		*****			
Q516	8-729-103-63	TRANSISTOR 2SA953-KA			1-675-358-11	FUSE BOARD	
Q517	8-729-119-78	TRANSISTOR 2SC945-P			*****		
		< RESISTOR >		*	1-533-213-31	HOLDER, FUSE	
R525	1-247-863-11	CARBON 22K 5%	1/4W			< FUSE >	
R526	1-247-863-11	CARBON 22K 5%	1/4W	△ F001	1-532-388-31	FUSE, TIME LAG 2A 250V	
R527	1-247-855-11	CARBON 10K 5%	1/4W			(GRX40AV: AUS, SA/RXD6AV)	
R528	1-247-879-11	CARBON 100K 5%	1/4W	△ F001	1-576-108-11	FUSE 4A/125V (GRX40AV: MX)	
R529	1-247-903-00	CARBON 1M 5%	1/4W			< RESISTOR >	
R530	1-249-417-11	CARBON 1K 5%	1/4W F	△ R001	1-219-238-11	SOLID 4.7M 20%	1/2W
R537	1-249-417-11	CARBON 1K 5%	1/4W F	*****			
R538	1-249-417-11	CARBON 1K 5%	1/4W F		A-4426-691-A	KEY BOARD, COMPLETE	
R539	1-247-855-11	CARBON 10K 5%	1/4W		*****		
R540	1-247-855-11	CARBON 10K 5%	1/4W			< CONNECTOR >	
R541	1-249-438-11	CARBON 56K 5%	1/4W	* CN606	1-564-708-11	PIN, CONNECTOR (SMALL TYPE) 6P	
R542	1-249-438-11	CARBON 56K 5%	1/4W	* CN607	1-564-705-11	PIN, CONNECTOR (SMALL TYPE) 3P	
R543	1-249-420-11	CARBON 1.8K 5%	1/4W F			< LED >	
R544	1-249-420-11	CARBON 1.8K 5%	1/4W F	LED701	8-719-046-80	DIODE SML19416W-TP4	
R545	1-249-438-11	CARBON 56K 5%	1/4W	LED702	8-719-046-80	DIODE SML19416W-TP4	
R546	1-249-438-11	CARBON 56K 5%	1/4W	LED703	8-719-046-80	DIODE SML19416W-TP4	
R547	1-260-072-11	CARBON 4.7 5%	1/2W			< RESISTOR >	
R548	1-260-072-11	CARBON 4.7 5%	1/2W	R748	1-249-434-11	CARBON 27K 5%	1/4W
R549	1-249-405-11	CARBON 100 5%	1/4W F	R749	1-249-431-11	CARBON 15K 5%	1/4W
R550	1-249-405-11	CARBON 100 5%	1/4W F	R750	1-249-428-11	CARBON 8.2K 5%	1/4W F
R551	1-247-887-00	CARBON 220K 5%	1/4W	R751	1-247-847-11	CARBON 4.7K 5%	1/4W
R552	1-247-887-00	CARBON 220K 5%	1/4W				
R553	1-249-417-11	CARBON 1K 5%	1/4W F				
R554	1-249-417-11	CARBON 1K 5%	1/4W F				
R555	1-249-431-11	CARBON 15K 5%	1/4W				
R556	1-249-431-11	CARBON 15K 5%	1/4W				
R557	1-220-890-11	METAL 0.22 10%	3W				
R558	1-220-890-11	METAL 0.22 10%	3W				
R559	1-249-430-11	CARBON 12K 5%	1/4W				
R560	1-249-430-11	CARBON 12K 5%	1/4W				

The components identified by mark △ or dotted line with mark △ are critical for safety. Replace only with part number specified.



Ref. No.	Part No.	Description	Remarks	Ref. No.	Part No.	Description	Remarks
		< SWITCH >		C139	1-161-494-00	CERAMIC 0.022uF	25V
S701	1-572-647-11	SWITCH, KEY BOARD (POWER)		C140	1-104-665-11	ELECT 100uF 20%	10V
S702	1-572-647-11	SWITCH, KEY BOARD (DISC 1)		C141	1-161-494-00	CERAMIC 0.022uF	25V
S703	1-572-647-11	SWITCH, KEY BOARD (DISC 2)		C142	1-126-933-11	ELECT 100uF 20%	16V
S704	1-572-647-11	SWITCH, KEY BOARD (DISC 3)		C143	1-137-162-11	FILM 0.22uF 10%	63V
S705	1-572-647-11	SWITCH, KEY BOARD (DISC SKIP)		C144	1-130-483-00	MYLAR 0.01uF 5%	50V
S706	1-572-647-11	SWITCH, KEY BOARD (EJECT)		C146	1-162-294-31	CERAMIC 0.001uF 10%	50V
*****				C147	1-162-306-11	CERAMIC 0.01uF 20%	16V
	1-675-355-11	H/P BOARD		C148	1-161-494-00	CERAMIC 0.022uF	25V
		*****		C149	1-162-294-31	CERAMIC 0.001uF 10%	50V
		< JACK >		C150	1-164-159-11	CERAMIC 0.1uF	50V
JK403	1-569-612-11	JACK, MINIATURE (PHONE)		C151	1-126-959-11	ELECT 0.47uF 20%	50V
*****				C152	1-126-959-11	ELECT 0.47uF 20%	50V
	A-4426-696-A	MAIN BOARD, COMPLETE (GRX40AV)		C153	1-162-600-11	CERAMIC 0.0047uF 30%	16V
		*****		C154	1-164-159-11	CERAMIC 0.1uF	50V
	A-4426-962-A	MAIN BOARD, COMPLETE (RXD6AV)		C155	1-162-294-31	CERAMIC 0.001uF 10%	50V
		*****		C156	1-102-951-00	CERAMIC 15PF 5%	50V
		< CAPACITOR >		C157	1-102-951-00	CERAMIC 15PF 5%	50V
C102	1-161-494-00	CERAMIC 0.022uF	25V	C158	1-104-664-11	ELECT 47uF 20%	10V
C103	1-126-959-11	ELECT 0.47uF 20%	50V	C160	1-126-963-11	ELECT 4.7uF 20%	50V
C104	1-161-494-00	CERAMIC 0.022uF	25V	C161	1-126-963-11	ELECT 4.7uF 20%	50V
C105	1-161-494-00	CERAMIC 0.022uF	25V	C163	1-161-494-00	CERAMIC 0.022uF	25V
C106	1-161-494-00	CERAMIC 0.022uF	25V	C164	1-162-282-31	CERAMIC 100PF 10%	50V
C107	1-161-494-00	CERAMIC 0.022uF	25V	C165	1-161-494-00	CERAMIC 0.022uF	25V
C109	1-126-964-11	ELECT 10uF 20%	50V	C166	1-161-494-00	CERAMIC 0.022uF	25V
C111	1-161-494-00	CERAMIC 0.022uF	25V	C167	1-162-286-31	CERAMIC 220PF 10%	50V
C113	1-161-494-00	CERAMIC 0.022uF	25V	C169	1-162-199-31	CERAMIC 10PF 5%	50V
C114	1-164-159-11	CERAMIC 0.1uF	50V	C171	1-162-282-31	CERAMIC 100PF 10%	50V
C116	1-136-356-11	FILM 470PF 5%	50V	C201	1-162-292-31	CERAMIC 680PF 10%	50V
C117	1-162-205-31	CERAMIC 18PF 5%	50V	C202	1-162-292-31	CERAMIC 680PF 10%	50V
C118	1-104-665-11	ELECT 100uF 20%	10V	C203	1-162-292-31	CERAMIC 680PF 10%	50V
C120	1-164-206-41	CERAMIC 0.047uF 99%	50V	C204	1-162-292-31	CERAMIC 680PF 10%	50V
C121	1-162-215-31	CERAMIC 47PF 5%	50V	C205	1-162-286-31	CERAMIC 220PF 10%	50V
C122	1-126-960-11	ELECT 1uF 20%	50V	C206	1-162-286-31	CERAMIC 220PF 10%	50V
C123	1-126-959-11	ELECT 0.47uF 20%	50V	C207	1-162-286-31	CERAMIC 220PF 10%	50V
C124	1-162-206-31	CERAMIC 20PF 5%	50V	C208	1-162-286-31	CERAMIC 220PF 10%	50V
C125	1-126-960-11	ELECT 1uF 20%	50V	C209	1-104-664-11	ELECT 47uF 20%	10V
C126	1-161-494-00	CERAMIC 0.022uF	25V	C210	1-104-664-11	ELECT 47uF 20%	10V
C127	1-126-964-11	ELECT 10uF 20%	50V	C211	1-130-486-00	MYLAR 0.018uF 10%	50V
C128	1-161-494-00	CERAMIC 0.022uF	25V	C212	1-130-486-00	MYLAR 0.018uF 10%	50V
C129	1-126-964-11	ELECT 10uF 20%	50V	C213	1-126-960-11	ELECT 1uF 20%	50V
C130	1-130-489-11	MYLAR 0.033uF 5%	50V	C214	1-126-960-11	ELECT 1uF 20%	50V
		(GRX40AV)		C215	1-162-303-11	CERAMIC 0.0033uF 20%	16V
C130	1-130-487-00	MYLAR 0.022uF 5%	50V	C216	1-162-303-11	CERAMIC 0.0033uF 20%	16V
		(RXD6AV)		C217	1-104-664-11	ELECT 47uF 20%	16V
C131	1-130-489-11	MYLAR 0.033uF 5%	50V	C218	1-126-940-11	ELECT 330uF 20%	16V
		(GRX40AV)		C219	1-126-962-11	ELECT 3.3uF 20%	50V
C131	1-130-487-00	MYLAR 0.022uF 5%	50V	C221	1-126-962-11	ELECT 3.3uF 20%	50V
		(RXD6AV)		C222	1-126-962-11	ELECT 3.3uF 20%	50V
C132	1-162-600-11	CERAMIC 0.0047uF 30%	16V	C223	1-162-290-31	CERAMIC 470PF 10%	50V
C133	1-162-600-11	CERAMIC 0.0047uF 30%	16V	C224	1-162-290-31	CERAMIC 470PF 10%	50V
C134	1-126-962-11	ELECT 3.3uF 20%	50V	C225	1-162-301-11	CERAMIC 0.0015uF 20%	16V
C135	1-162-293-31	CERAMIC 820PF 10%	50V	C226	1-162-301-11	CERAMIC 0.0015uF 20%	16V
C136	1-128-551-11	ELECT 22uF 20%	25V	C227	1-162-286-31	CERAMIC 220PF 10%	50V
C137	1-126-959-11	ELECT 0.47uF 20%	50V	C228	1-162-286-31	CERAMIC 220PF 10%	50V
C138	1-164-159-11	CERAMIC 0.1uF	50V	C229	1-104-665-11	ELECT 100uF 20%	10V
				C230	1-104-665-11	ELECT 100uF 20%	10V
				C231	1-126-958-11	ELECT 0.33uF 20%	50V
				C232	1-126-958-11	ELECT 0.33uF 20%	50V
				C233	1-162-294-31	CERAMIC 0.001uF 10%	50V
				C234	1-162-294-31	CERAMIC 0.001uF 10%	50V



**MAIN**

Ref. No.	Part No.	Description	Remarks			Ref. No.	Part No.	Description	Remarks		
C235	1-126-960-11	ELECT	1uF	20%	50V	C350	1-161-494-00	CERAMIC	0.022uF		25V
C236	1-126-933-11	ELECT	100uF	20%	16V	C351	1-126-960-11	ELECT	1uF	20%	50V
C237	1-161-494-00	CERAMIC	0.022uF		25V	C352	1-126-960-11	ELECT	1uF	20%	50V
C238	1-126-961-11	ELECT	2.2uF	20%	50V	C353	1-126-962-11	ELECT	3.3uF	20%	50V
C251	1-137-366-11	FILM	0.0022uF	5%	50V	C354	1-126-962-11	ELECT	3.3uF	20%	50V
C252	1-130-485-00	MYLAR	0.015uF	5%	50V	C355	1-126-933-11	ELECT	100uF	20%	16V
C253	1-130-483-00	MYLAR	0.01uF	5%	50V	C356	1-126-964-11	ELECT	10uF	20%	50V
C254	1-130-479-00	MYLAR	0.0047uF	5%	50V	C357	1-126-964-11	ELECT	10uF	20%	50V
C255	1-104-664-11	ELECT	47uF	20%	16V	C362	1-130-487-00	MYLAR	0.022uF	5%	50V
C256	1-126-960-11	ELECT	1uF	20%	50V	C363	1-164-159-11	CERAMIC	0.1uF		50V
C257	1-126-956-11	ELECT	0.1uF	20%	50V	C364	1-136-357-11	FILM	680PF	5%	50V
C265	1-162-306-11	CERAMIC	0.01uF	20%	16V	C365	1-130-495-11	MYLAR	0.1uF	5%	50V
C271	1-126-963-11	ELECT	4.7uF	20%	50V	C366	1-136-357-11	FILM	680PF	5%	50V
C272	1-126-961-11	ELECT	2.2uF	20%	50V	C367	1-130-495-11	MYLAR	0.1uF	5%	50V
C301	1-126-959-11	ELECT	0.47uF	20%	50V	C368	1-130-495-11	MYLAR	0.1uF	5%	50V
C302	1-126-959-11	ELECT	0.47uF	20%	50V	C369	1-130-495-11	MYLAR	0.1uF	5%	50V
C303	1-126-959-11	ELECT	0.47uF	20%	50V	C370	1-126-934-11	ELECT	220uF	20%	16V
C304	1-126-959-11	ELECT	0.47uF	20%	50V	C371	1-126-964-11	ELECT	10uF	20%	50V
C305	1-126-933-11	ELECT	100uF	20%	16V	C372	1-130-481-00	MYLAR	0.0068uF	5%	50V
C306	1-126-964-11	ELECT	10uF	20%	50V	C373	1-104-664-11	ELECT	47uF	20%	16V
C307	1-162-286-31	CERAMIC	220PF	10%	50V	C374	1-126-964-11	ELECT	10uF	20%	50V
C308	1-162-286-31	CERAMIC	220PF	10%	50V	C375	1-126-964-11	ELECT	10uF	20%	50V
C309	1-126-963-11	ELECT	4.7uF	20%	50V	C376	1-126-964-11	ELECT	10uF	20%	50V
C310	1-126-963-11	ELECT	4.7uF	20%	50V	C377	1-126-960-11	ELECT	1uF	20%	50V
C311	1-130-486-00	MYLAR	0.018uF	10%	50V	C378	1-130-495-11	MYLAR	0.1uF	5%	50V
C312	1-130-486-00	MYLAR	0.018uF	10%	50V	C379	1-104-664-11	ELECT	47uF	20%	10V
C313	1-130-487-00	MYLAR	0.022uF	5%	50V	C380	1-162-286-31	CERAMIC	220PF	10%	50V
C314	1-130-487-00	MYLAR	0.022uF	5%	50V	C381	1-162-286-31	CERAMIC	220PF	10%	50V
C315	1-130-495-11	MYLAR	0.1uF	5%	50V	C382	1-162-286-31	CERAMIC	220PF	10%	50V
C316	1-130-495-11	MYLAR	0.1uF	5%	50V	C383	1-126-960-11	ELECT	1uF	20%	50V
C317	1-130-495-11	MYLAR	0.1uF	5%	50V	C384	1-130-479-00	MYLAR	0.0047uF	5%	50V
C318	1-130-495-11	MYLAR	0.1uF	5%	50V	C385	1-130-471-00	MYLAR	0.001uF	5%	50V
C319	1-130-480-00	MYLAR	0.0056uF	5%	50V	C386	1-130-493-00	MYLAR	0.068uF	5%	50V
C320	1-130-480-00	MYLAR	0.0056uF	5%	50V	C387	1-130-495-11	MYLAR	0.1uF	5%	50V
C321	1-126-960-11	ELECT	1uF	20%	50V	C389	1-130-493-00	MYLAR	0.068uF	5%	50V
C322	1-126-960-11	ELECT	1uF	20%	50V	C390	1-130-479-00	MYLAR	0.0047uF	5%	50V
C323	1-126-960-11	ELECT	1uF	20%	50V	C391	1-130-471-00	MYLAR	0.001uF	5%	50V
C324	1-126-960-11	ELECT	1uF	20%	50V	C392	1-109-889-11	ELECT	1uF	20%	50V
C325	1-162-199-31	CERAMIC	10PF	5%	50V	C393	1-109-889-11	ELECT	1uF	20%	50V
C326	1-162-199-31	CERAMIC	10PF	5%	50V	C394	1-130-480-00	MYLAR	0.0056uF	5%	50V
C327	1-126-963-11	ELECT	4.7uF	20%	50V	C395	1-130-491-00	MYLAR	0.047uF	5%	50V
C328	1-126-963-11	ELECT	4.7uF	20%	50V	C396	1-137-165-11	FILM	0.68uF	10%	63V
C329	1-161-494-00	CERAMIC	0.022uF		25V	C397	1-137-162-11	FILM	0.22uF	10%	63V
C330	1-126-962-11	ELECT	3.3uF	20%	50V	C398	1-137-162-11	FILM	0.22uF	10%	63V
C331	1-126-961-11	ELECT	2.2uF	20%	50V	C399	1-126-963-11	ELECT	4.7uF	20%	50V
C332	1-126-961-11	ELECT	2.2uF	20%	50V	C404	1-104-482-11	ELECT	4700uF	20%	63V
C334	1-126-933-11	ELECT	100uF	20%	16V	C405	1-104-482-11	ELECT	4700uF	20%	63V
C335	1-126-959-11	ELECT	0.47uF	20%	50V	C406	1-161-494-00	CERAMIC	0.022uF		25V
C336	1-126-959-11	ELECT	0.47uF	20%	50V	C407	1-161-494-00	CERAMIC	0.022uF		25V
C339	1-126-963-11	ELECT	4.7uF	20%	50V	C412	1-104-664-11	ELECT	47uF	20%	16V
C340	1-126-963-11	ELECT	4.7uF	20%	50V	C415	1-101-004-00	CERAMIC	0.01uF		50V
C341	1-130-495-11	MYLAR	0.1uF	5%	50V	C416	1-101-004-00	CERAMIC	0.01uF		50V
C342	1-130-495-11	MYLAR	0.1uF	5%	50V	C417	1-126-968-11	ELECT	100uF	20%	50V
C343	1-130-495-11	MYLAR	0.1uF	5%	50V	C418	1-161-494-00	CERAMIC	0.022uF		25V
C344	1-130-495-11	MYLAR	0.1uF	5%	50V	C419	1-161-494-00	CERAMIC	0.022uF		25V
C345	1-162-294-31	CERAMIC	0.001uF	10%	50V	C420	1-128-553-11	ELECT	220uF	20%	63V
C346	1-162-294-31	CERAMIC	0.001uF	10%	50V	C421	1-126-948-11	ELECT	100uF	20%	35V
C347	1-162-286-31	CERAMIC	220PF	10%	50V	C422	1-126-949-11	ELECT	220uF	20%	35V
C348	1-162-286-31	CERAMIC	220PF	10%	50V	C423	1-161-494-00	CERAMIC	0.022uF		25V
C349	1-161-494-00	CERAMIC	0.022uF		25V	C424	1-104-665-11	ELECT	100uF	20%	10V



**MAIN**

Ref. No.	Part No.	Description	Remarks	Ref. No.	Part No.	Description	Remarks
		< COIL >				< RESISTOR >	
L102	1-410-330-11	INDUCTOR 22uH		R101	1-247-855-11	CARBON 10K 5%	1/4W
L103	1-410-330-11	INDUCTOR 22uH		R102	1-249-411-11	CARBON 330 5%	1/4W
L104	1-411-901-11	COIL, ANTENNA		R103	1-247-835-11	CARBON 1.5K 5%	1/4W
L106	1-410-517-11	INDUCTOR 47uH		R105	1-249-411-11	CARBON 330 5%	1/4W
L107	1-429-555-11	TRANSFORMER, MW OSC		R106	1-247-839-11	CARBON 2.2K 5%	1/4W
L109	1-410-330-11	INDUCTOR 22uH		R107	1-249-427-11	CARBON 6.8K 5%	1/4W F
L113	1-410-330-11	INDUCTOR 22uH		R108	1-247-871-11	CARBON 47K 5%	1/4W
L201	1-419-200-11	COIL, BIAS OSCILLATION		R109	1-247-871-11	CARBON 47K 5%	1/4W
L405	1-408-096-00	COIL 470uH		R112	1-247-807-11	CARBON 100 5%	1/4W
		< TRANSISTOR >		R113	1-247-843-11	CARBON 3.3K 5%	1/4W
Q101	1-806-093-71	TRANSISTOR 2SC1675-L1		R114	1-249-417-11	CARBON 1K 5%	1/4W F
Q103	8-729-119-76	TRANSISTOR 2SA733-P		R115	1-249-417-11	CARBON 1K 5%	1/4W F
Q104	8-729-041-83	TRANSISTOR 2SK544E		R116	1-249-397-11	CARBON 22 5%	1/4W F
Q109	8-729-194-57	TRANSISTOR 2SC945TP-P		R117	1-247-863-11	CARBON 22K 5%	1/4W
Q110	8-729-194-57	TRANSISTOR 2SC945TP-P		R118	1-247-807-11	CARBON 100 5%	1/4W
Q201	8-729-194-57	TRANSISTOR 2SC945TP-P		R119	1-249-410-11	CARBON 270 5%	1/4W F
Q202	8-729-194-57	TRANSISTOR 2SC945TP-P		R120	1-247-843-11	CARBON 3.3K 5%	1/4W
Q203	8-729-194-57	TRANSISTOR 2SC945TP-P		R121	1-247-855-11	CARBON 10K 5%	1/4W
Q204	8-729-194-57	TRANSISTOR 2SC945TP-P		R122	1-249-432-11	CARBON 18K 5%	1/4W
Q205	8-729-194-57	TRANSISTOR 2SC945TP-P		R123	1-249-428-11	CARBON 8.2K 5%	1/4W F
Q206	8-729-194-57	TRANSISTOR 2SC945TP-P		R124	1-247-843-11	CARBON 3.3K 5%	1/4W
Q207	8-729-119-76	TRANSISTOR 2SA733-P		R125	1-249-409-11	CARBON 220 5%	1/4W F
Q208	8-729-119-76	TRANSISTOR 2SA733-P		R126	1-247-843-11	CARBON 3.3K 5%	1/4W
Q209	8-729-194-57	TRANSISTOR 2SC945TP-P		R127	1-247-843-11	CARBON 3.3K 5%	1/4W
Q210	8-729-194-57	TRANSISTOR 2SC945TP-P		R128	1-249-424-11	CARBON 3.9K 5%	1/4W F
Q211	8-729-194-57	TRANSISTOR 2SC945TP-P		R129	1-249-424-11	CARBON 3.9K 5%	1/4W F
Q213	8-729-194-57	TRANSISTOR 2SC945TP-P		R130	1-249-405-11	CARBON 100 5%	1/4W F
Q214	8-729-194-57	TRANSISTOR 2SC945TP-P		R131	1-249-417-11	CARBON 1K 5%	1/4W F
Q251	8-729-142-46	TRANSISTOR 2SC2001-L		R132	1-247-855-11	CARBON 10K 5%	1/4W
Q252	8-729-119-76	TRANSISTOR 2SA733-P		R133	1-247-849-11	CARBON 5.6K 5%	1/4W
Q253	8-729-194-57	TRANSISTOR 2SC945TP-P		R134	1-247-855-11	CARBON 10K 5%	1/4W
Q301	8-729-231-55	TRANSISTOR 2SC2878-A		R135	1-249-417-11	CARBON 1K 5%	1/4W F
Q302	8-729-231-55	TRANSISTOR 2SC2878-A		R136	1-247-879-11	CARBON 100K 5%	1/4W
Q303	8-729-194-57	TRANSISTOR 2SC945TP-P		R137	1-247-855-11	CARBON 10K 5%	1/4W
Q304	8-729-194-57	TRANSISTOR 2SC945TP-P		R138	1-247-807-11	CARBON 100 5%	1/4W
Q305	8-729-194-57	TRANSISTOR 2SC945TP-P		R139	1-247-855-11	CARBON 10K 5%	1/4W
Q308	8-729-194-57	TRANSISTOR 2SC945TP-P		R140	1-247-855-11	CARBON 10K 5%	1/4W
Q309	8-729-194-57	TRANSISTOR 2SC945TP-P		R141	1-247-839-11	CARBON 2.2K 5%	1/4W
Q310	8-729-194-57	TRANSISTOR 2SC945TP-P		R142	1-247-839-11	CARBON 2.2K 5%	1/4W
Q311	8-729-194-57	TRANSISTOR 2SC945TP-P		R143	1-247-839-11	CARBON 2.2K 5%	1/4W
Q312	8-729-026-29	TRANSISTOR 2SJ346		R146	1-249-417-11	CARBON 1K 5%	1/4W F
Q313	8-729-026-29	TRANSISTOR 2SJ346		R148	1-247-855-11	CARBON 10K 5%	1/4W
Q314	8-729-231-55	TRANSISTOR 2SC2878-A		R149	1-247-855-11	CARBON 10K 5%	1/4W
Q315	8-729-231-55	TRANSISTOR 2SC2878-A		R150	1-247-843-11	CARBON 3.3K 5%	1/4W
Q316	8-729-194-57	TRANSISTOR 2SC945TP-P		R171	1-249-411-11	CARBON 330 5%	1/4W
Q317	8-729-194-57	TRANSISTOR 2SC945TP-P		R201	1-249-393-11	CARBON 10 5%	1/4W F
Q318	8-729-194-57	TRANSISTOR 2SC945TP-P		R202	1-249-393-11	CARBON 10 5%	1/4W F
Q401	8-729-188-23	TRANSISTOR 2SD882-P		R203	1-249-393-11	CARBON 10 5%	1/4W F
Q403	8-729-232-32	TRANSISTOR 2SA965-Q/Y(TPE6)		R204	1-249-393-11	CARBON 10 5%	1/4W F
Q405	8-729-140-96	TRANSISTOR 2SC2060-R		R205	1-249-401-11	CARBON 47 5%	1/4W F
Q406	8-729-232-32	TRANSISTOR 2SA965-Q/Y(TPE6)		R206	1-249-401-11	CARBON 47 5%	1/4W F
Q407	8-729-026-29	TRANSISTOR 2SJ346		R207	1-249-428-11	CARBON 8.2K 5%	1/4W F
Q411	8-729-026-29	TRANSISTOR 2SJ346		R208	1-249-428-11	CARBON 8.2K 5%	1/4W F
Q412	8-729-119-76	TRANSISTOR 2SA733-P		R209	1-247-889-00	CARBON 270K 5%	1/4W
Q413	8-729-194-57	TRANSISTOR 2SC945TP-P		R210	1-247-889-00	CARBON 270K 5%	1/4W
Q414	8-729-048-99	TRANSISTOR 2SK2541		R211	1-247-891-00	CARBON 330K 5%	1/4W
Q415	8-729-048-99	TRANSISTOR 2SK2541		R212	1-247-891-00	CARBON 330K 5%	1/4W
Q419	8-729-194-57	TRANSISTOR 2SC945TP-P		R213	1-247-847-11	CARBON 4.7K 5%	1/4W
Q420	8-729-194-57	TRANSISTOR 2SC945TP-P		R214	1-247-847-11	CARBON 4.7K 5%	1/4W
				R215	1-247-891-00	CARBON 330K 5%	1/4W

Ref. No.	Part No.	Description			Remarks	Ref. No.	Part No.	Description			Remarks
R216	1-247-891-00	CARBON	330K	5%	1/4W	R315	1-247-879-11	CARBON	100K	5%	1/4W
R217	1-247-855-11	CARBON	10K	5%	1/4W	R316	1-247-887-00	CARBON	220K	5%	1/4W
R218	1-247-885-00	CARBON	180K	5%	1/4W	R317	1-249-417-11	CARBON	1K	5%	1/4W F
R219	1-247-871-11	CARBON	47K	5%	1/4W	R318	1-249-417-11	CARBON	1K	5%	1/4W F
R220	1-247-863-11	CARBON	22K	5%	1/4W	R319	1-247-855-11	CARBON	10K	5%	1/4W
R221	1-247-855-11	CARBON	10K	5%	1/4W	R324	1-247-839-11	CARBON	2.2K	5%	1/4W
R222	1-249-409-11	CARBON	220	5%	1/4W F	R325	1-247-839-11	CARBON	2.2K	5%	1/4W
R223	1-247-885-00	CARBON	180K	5%	1/4W	R327	1-247-841-11	CARBON	2.7K	5%	1/4W
R224	1-247-885-00	CARBON	180K	5%	1/4W	R328	1-247-841-11	CARBON	2.7K	5%	1/4W
R225	1-247-863-11	CARBON	22K	5%	1/4W	R329	1-247-849-11	CARBON	5.6K	5%	1/4W
R226	1-247-863-11	CARBON	22K	5%	1/4W	R330	1-247-849-11	CARBON	5.6K	5%	1/4W
R227	1-247-881-00	CARBON	120K	5%	1/4W	R331	1-247-903-00	CARBON	1M	5%	1/4W
R228	1-247-881-00	CARBON	120K	5%	1/4W	R332	1-247-903-00	CARBON	1M	5%	1/4W
R229	1-249-420-11	CARBON	1.8K	5%	1/4W F	R334	1-247-855-11	CARBON	10K	5%	1/4W
R230	1-249-420-11	CARBON	1.8K	5%	1/4W F	R335	1-249-413-11	CARBON	470	5%	1/4W F
R231	1-247-839-11	CARBON	2.2K	5%	1/4W	R336	1-247-891-00	CARBON	330K	5%	1/4W
R232	1-247-839-11	CARBON	2.2K	5%	1/4W	R337	1-249-431-11	CARBON	15K	5%	1/4W
R233	1-247-871-11	CARBON	47K	5%	1/4W	R338	1-247-871-11	CARBON	47K	5%	1/4W
R234	1-247-871-11	CARBON	47K	5%	1/4W	R339	1-249-431-11	CARBON	15K	5%	1/4W
R235	1-247-847-11	CARBON	4.7K	5%	1/4W	R340	1-247-852-11	CARBON	7.5K	5%	1/4W
R236	1-247-847-11	CARBON	4.7K	5%	1/4W	R341	1-247-871-11	CARBON	47K	5%	1/4W
R237	1-247-855-11	CARBON	10K	5%	1/4W	R342	1-247-852-11	CARBON	7.5K	5%	1/4W
R238	1-247-899-11	CARBON	680K	5%	1/4W	R344	1-249-403-11	CARBON	68	5%	1/4W F
R239	1-249-381-11	CARBON	1	5%	1/4W F	R345	1-247-903-00	CARBON	1M	5%	1/4W
R240	1-247-855-11	CARBON	10K	5%	1/4W	R346	1-247-903-00	CARBON	1M	5%	1/4W
R241	1-247-847-11	CARBON	4.7K	5%	1/4W	R347	1-247-847-11	CARBON	4.7K	5%	1/4W
R242	1-247-847-11	CARBON	4.7K	5%	1/4W	R348	1-247-847-11	CARBON	4.7K	5%	1/4W
R243	1-249-430-11	CARBON	12K	5%	1/4W	R349	1-247-839-11	CARBON	2.2K	5%	1/4W
R244	1-247-839-11	CARBON	2.2K	5%	1/4W	R350	1-247-839-11	CARBON	2.2K	5%	1/4W
R245	1-247-839-11	CARBON	2.2K	5%	1/4W	R355	1-247-871-11	CARBON	47K	5%	1/4W
R246	1-249-434-11	CARBON	27K	5%	1/4W	R356	1-247-871-11	CARBON	47K	5%	1/4W
R247	1-247-855-11	CARBON	10K	5%	1/4W	R357	1-247-897-11	CARBON	560K	5%	1/4W
R248	1-247-847-11	CARBON	4.7K	5%	1/4W	R358	1-247-879-11	CARBON	100K	5%	1/4W
R249	1-247-899-11	CARBON	680K	5%	1/4W	R359	1-247-903-00	CARBON	1M	5%	1/4W
R250	1-247-885-00	CARBON	180K	5%	1/4W	R360	1-247-903-00	CARBON	1M	5%	1/4W
R251	1-249-434-11	CARBON	27K	5%	1/4W	R362	1-249-409-11	CARBON	220	5%	1/4W F
R252	1-249-393-11	CARBON	10	5%	1/4W F	R363	1-247-879-11	CARBON	100K	5%	1/4W
R253	1-247-825-11	CARBON	560	5%	1/4W	R365	1-249-417-11	CARBON	1K	5%	1/4W F
R254	1-247-855-11	CARBON	10K	5%	1/4W	R366	1-249-417-11	CARBON	1K	5%	1/4W F
R255	1-247-847-11	CARBON	4.7K	5%	1/4W	R367	1-247-847-11	CARBON	4.7K	5%	1/4W
R256	1-247-855-11	CARBON	10K	5%	1/4W	R368	1-247-847-11	CARBON	4.7K	5%	1/4W
R257	1-249-412-11	CARBON	390	5%	1/4W F	R369	1-249-427-11	CARBON	6.8K	5%	1/4W F
R258	1-249-409-11	CARBON	220	5%	1/4W F	R370	1-249-427-11	CARBON	6.8K	5%	1/4W F
R261	1-249-412-11	CARBON	390	5%	1/4W F	R371	1-247-883-00	CARBON	150K	5%	1/4W
R262	1-247-879-11	CARBON	100K	5%	1/4W	R372	1-247-883-00	CARBON	150K	5%	1/4W
R263	1-247-855-11	CARBON	10K	5%	1/4W	R373	1-247-847-11	CARBON	4.7K	5%	1/4W
R264	1-247-855-11	CARBON	10K	5%	1/4W	R374	1-247-847-11	CARBON	4.7K	5%	1/4W
R271	1-249-417-11	CARBON	1K	5%	1/4W F	R375	1-247-891-00	CARBON	330K	5%	1/4W
R301	1-249-417-11	CARBON	1K	5%	1/4W F	R376	1-247-891-00	CARBON	330K	5%	1/4W
R302	1-249-417-11	CARBON	1K	5%	1/4W F	R377	1-249-432-11	CARBON	18K	5%	1/4W
R303	1-249-418-11	CARBON	1.2K	5%	1/4W F	R378	1-249-432-11	CARBON	18K	5%	1/4W
R304	1-249-418-11	CARBON	1.2K	5%	1/4W F	R379	1-247-839-11	CARBON	2.2K	5%	1/4W
R305	1-247-839-11	CARBON	2.2K	5%	1/4W	R380	1-247-839-11	CARBON	2.2K	5%	1/4W
R306	1-247-839-11	CARBON	2.2K	5%	1/4W	R381	1-249-417-11	CARBON	1K	5%	1/4W F
R309	1-249-417-11	CARBON	1K	5%	1/4W F	R382	1-249-417-11	CARBON	1K	5%	1/4W F
R310	1-249-417-11	CARBON	1K	5%	1/4W F	R387	1-247-879-11	CARBON	100K	5%	1/4W
R311	1-247-879-11	CARBON	100K	5%	1/4W	R388	1-247-879-11	CARBON	100K	5%	1/4W
R312	1-247-879-11	CARBON	100K	5%	1/4W	R389	1-249-427-11	CARBON	6.8K	5%	1/4W F
R313	1-247-855-11	CARBON	10K	5%	1/4W	R390	1-249-427-11	CARBON	6.8K	5%	1/4W F
R314	1-247-855-11	CARBON	10K	5%	1/4W	R391	1-247-855-11	CARBON	10K	5%	1/4W

**MAIN**

**MOTOR**

**MOTOR (6P) (S)**

Ref. No.	Part No.	Description			Remarks
R392	1-247-855-11	CARBON	10K	5%	1/4W
R395	1-249-417-11	CARBON	1K	5%	1/4W F
R396	1-249-417-11	CARBON	1K	5%	1/4W F
R399	1-247-839-11	CARBON	2.2K	5%	1/4W
R401	1-247-807-11	CARBON	100	5%	1/4W
R402	1-247-807-11	CARBON	100	5%	1/4W
R403	1-247-827-11	CARBON	680	5%	1/4W
R405	1-215-863-11	METAL OXIDE	100	5%	1W F
R406	1-249-418-11	CARBON	1.2K	5%	1/4W F
R408	1-249-417-11	CARBON	1K	5%	1/4W F
R409	1-215-863-11	METAL OXIDE	100	5%	1W F
R410	1-247-839-11	CARBON	2.2K	5%	1/4W
R412	1-215-863-11	METAL OXIDE	100	5%	1W F
R414	1-247-903-00	CARBON	1M	5%	1/4W
R416	1-247-903-00	CARBON	1M	5%	1/4W
R424	1-249-417-11	CARBON	1K	5%	1/4W F
R425	1-249-417-11	CARBON	1K	5%	1/4W F
R426	1-247-847-11	CARBON	4.7K	5%	1/4W
R427	1-247-855-11	CARBON	10K	5%	1/4W
R440	1-247-708-11	CARBON	470	5%	1/4W F
R441	1-247-708-11	CARBON	470	5%	1/4W F
R442	1-247-855-11	CARBON	10K	5%	1/4W
R443	1-247-855-11	CARBON	10K	5%	1/4W
R444	1-249-393-11	CARBON	10	5%	1/4W F
R470	1-247-879-11	CARBON	100K	5%	1/4W
R471	1-247-903-00	CARBON	1M	5%	1/4W
R472	1-249-417-11	CARBON	1K	5%	1/4W F
R473	1-247-863-11	CARBON	22K	5%	1/4W
R474	1-247-863-11	CARBON	22K	5%	1/4W
R475	1-247-879-11	CARBON	100K	5%	1/4W
R476	1-247-889-00	CARBON	270K	5%	1/4W
R122A	1-249-427-11	CARBON	6.8K	5%	1/4W F
R205A	1-249-409-11	CARBON	220	5%	1/4W F
R206A	1-249-409-11	CARBON	220	5%	1/4W F
R240A	1-247-855-11	CARBON	10K	5%	1/4W
R307A	1-249-417-11	CARBON	1K	5%	1/4W F
R308A	1-249-417-11	CARBON	1K	5%	1/4W F
R3100	1-247-839-11	CARBON	2.2K	5%	1/4W
R3101	1-247-839-11	CARBON	2.2K	5%	1/4W
R3108	1-249-417-11	CARBON	1K	5%	1/4W F
R3109	1-249-417-11	CARBON	1K	5%	1/4W F
R3110	1-247-879-11	CARBON	100K	5%	1/4W
R3111	1-247-879-11	CARBON	100K	5%	1/4W
R3112	1-247-855-11	CARBON	10K	5%	1/4W
R3113	1-247-843-11	CARBON	3.3K	5%	1/4W
R3114	1-247-855-11	CARBON	10K	5%	1/4W
R3115	1-247-855-11	CARBON	10K	5%	1/4W
R3116	1-247-879-11	CARBON	100K	5%	1/4W
R3117	1-247-879-11	CARBON	100K	5%	1/4W
R3118	1-249-417-11	CARBON	1K	5%	1/4W F
R3119	1-249-417-11	CARBON	1K	5%	1/4W F
R3121	1-247-879-11	CARBON	100K	5%	1/4W
R3122	1-249-416-11	CARBON	820	5%	1/4W F
R3123	1-247-855-11	CARBON	10K	5%	1/4W
R3124	1-249-417-11	CARBON	1K	5%	1/4W F
R3125	1-247-879-11	CARBON	100K	5%	1/4W
R3128	1-247-839-11	CARBON	2.2K	5%	1/4W
R3129	1-247-839-11	CARBON	2.2K	5%	1/4W
R3132	1-247-879-11	CARBON	100K	5%	1/4W
R3133	1-247-879-11	CARBON	100K	5%	1/4W

Ref. No.	Part No.	Description			Remarks
R3134	1-247-855-11	CARBON	10K	5%	1/4W
R3135	1-247-855-11	CARBON	10K	5%	1/4W
R3136	1-247-863-11	CARBON	22K	5%	1/4W
R3137	1-247-847-11	CARBON	4.7K	5%	1/4W
R3138	1-247-839-11	CARBON	2.2K	5%	1/4W
R3139	1-247-839-11	CARBON	2.2K	5%	1/4W
R3140	1-247-863-11	CARBON	22K	5%	1/4W
R403A	1-215-857-11	METAL OXIDE	10	5%	1W F
R427A	1-247-855-11	CARBON	10K	5%	1/4W
R476A	1-247-835-11	CARBON	1.5K	5%	1/4W
R3138A	1-247-855-11	CARBON	10K	5%	1/4W
< RELAY >					
RL401	1-515-921-11	RELAY (12V)			
RL402	1-515-921-11	RELAY (12V)			
< ADJUSTABLE RESISTOR >					
SRF101	1-238-601-11	RES, ADJ, CARBON, 22K			
< TRANSFORMER >					
T102	1-429-554-11	TRANSFORMER, AM IFT			
< TRIMMER >					
TC101	1-141-304-21	CAP, TRIMMER 10PF			
< VIBRATOR >					
X101	1-579-585-11	VIBRATOR, CRYSTAL 7.2MHz			
*****					
1-674-792-11 MOTOR BOARD					
*****					
< CAPACITOR >					
C01	1-124-259-11	ELECT	4.7uF	20%	50V
C082	1-164-159-11	CERAMIC	0.1uF		50V
< CONNECTOR >					
* CN06	1-568-824-11	SOCKET, CONNECTOR 5P			
*****					
* 1-639-678-12	MOTOR (6P)(S) BOARD				
*****					
CN1	1-564-722-11	PIN, CONNECTOR (SMALL TYPE) 6P			
< MOTOR >					
M101	X-2625-877-1	MOTOR ASSY (SPINDLE)			
M102	X-2625-769-1	MOTOR ASSY (SLED)			
< RESISTOR >					
R710A	1-249-417-11	CARBON	1K	5%	1/4W F
< SWITCH >					
S1	1-572-085-11	SWITCH, LEAF (LIMIT)			
*****					



**PHOTO SOCKET**

**SENSOR**

**SW (A)**

**SW (B)**

**SW (C)**

**SW (D)**

Ref. No.	Part No.	Description	Remarks
	1-674-794-11	PHOTO SOCKET BOARD *****	
		< CAPACITOR >	
C710A	1-164-159-11	CERAMIC 0.1uF	50V
		< CONNECTOR >	
* CN703	1-564-705-11	PIN, CONNECTOR (SMALL TYPE) 3P	
		< PHOTO INTERRUPTER >	
PH701	8-749-923-04	IC TOTX178A *****	
	1-675-353-11	SENSOR BOARD *****	
		< CAPACITOR >	
C644	1-126-964-11	ELECT 10uF 20%	50V
		< IC >	
RM601	8-749-013-84	IC SPS-447-1 *****	
	1-674-788-11	SW (A) BOARD *****	
		< SWITCH >	
S04	1-771-169-11	SWITCH (TURN TABLE OPERATION DET) *****	
	1-674-789-11	SW (B) BOARD *****	
		< SWITCH >	
S03	1-771-169-11	SWITCH (TURN TABLE POSITION DET) *****	
	1-674-790-11	SW (C) BOARD *****	
		< SWITCH >	
S02	1-571-300-21	SWITCH, ROTARY (OPEN/CLOSE DET) *****	
	1-674-791-11	SW (D) BOARD *****	
		< SWITCH >	
S01	1-571-300-21	SWITCH, ROTARY (OPTICAL PICK-UP DET) *****	

Ref. No.	Part No.	Description	Remarks
		MISCELLANEOUS *****	
4	1-763-410-11	FAN, DC	
△ 13	1-551-506-99	CORD, POWER (GRX40AV:MX)	
△ 13	1-555-795-00	CORD, POWER (GRX40AV:SA,RXD6AV)	
△ 13	1-696-966-11	CORD, POWER (GRX40AV:AUS)	
71	1-769-273-11	WIRE (FLAT TYPE) (22 CORE)	
72	1-783-579-11	WIRE (FLAT TYPE) (16 CORE)	
73	1-772-164-11	DECK, MECH	
108	1-675-355-11	H/P BOARD	
201	1-769-856-11	WIRE (FLAT TYPE) (5 CORE)	
260	1-783-740-11	WIRE (FLAT TYPE)	
△ 261	8-820-054-03	OPTICAL PICK-UP KSM-213ECM/C2NP	
M101	X-2625-877-1	MOTOR ASSY (SPINDLE)	
M102	X-2625-769-1	MOTOR ASSY (SLED)	
M103	X-4948-765-1	MOTOR ASSY (TURN TABLE)	
M104	X-4948-766-1	MOTOR ASSY (A) (TRAY)	
△ T001	1-435-132-11	TRANSFORMER, POWER (RXD6AV)	
△ T001	1-435-133-11	TRANSFORMER, POWER (GRX40AV:MX)	
△ T001	1-435-134-11	TRANSFORMER, POWER (GRX40AV:AUS,SA) *****	
		***** HARDWARE LIST *****	
#1	7-685-106-19	SCREW +P 2 × 10 TYPE2 SLIT	
#2	7-685-902-21	SCREW +PTPWH 2.6 × 8 (TYPE2)	
#3	7-624-105-04	STOP RING 2.3, TYPE-E	
#4	7-685-546-04	SCREW +B 3 × 5	
#5	7-685-131-19	SCREW +P 2.6 × 4 TYPE2 SLIT	
#6	7-685-139-29	SCREW, TAPPING (M2.6 × 20)	
#7	7-685-645-79	SCREW +BVTP 3 × 6 TYPE2 TT(B)	
#8	7-685-138-19	SCREW +BTP 2.6 × 16 TYPE2 N-2	
#9	7-624-118-01	RING, RETAINING E-2.5	
#10	7-685-903-21	SCREW +PTPWH 3 × 8 (TYPE2)	
#11	7-685-648-79	SCREW +BVTP 3 × 12 TYPE2 N-S	
#12	7-682-904-11	SCREW +PWH 4 × 8	
#13	7-685-649-79	SCREW +BVTP 3 × 14 TYPE2 N-S	
#14	7-685-660-79	SCREW +PTPWH 4 × 10 TYPE 2	
#15	7-685-646-79	SCREW +BVTP 3 × 8 TYPE2 TT(B)	
#16	7-685-246-19	SCREW +KTP 3 × 8 TYPE2 NON-SLIT	
#17	7-685-647-79	SCREW, TAPPING	
#18	7-685-903-31	SCREW +PTPWH 3 × 10 (TYPE2)	
#19	7-685-883-01	SCREW +BVTT 4 × 12 (S)	
#20	7-685-661-79	SCREW +P 4 × 12 TYPE2 NON-SLIT	
#21	7-685-153-19	SCREW +P 3 × 30 TYPE2 NON-SLIT	
#22	7-624-105-04	STOP RING 2.3, TYPE-E	

The components identified by mark △ or dotted line with mark △ are critical for safety. Replace only with part number specified.



