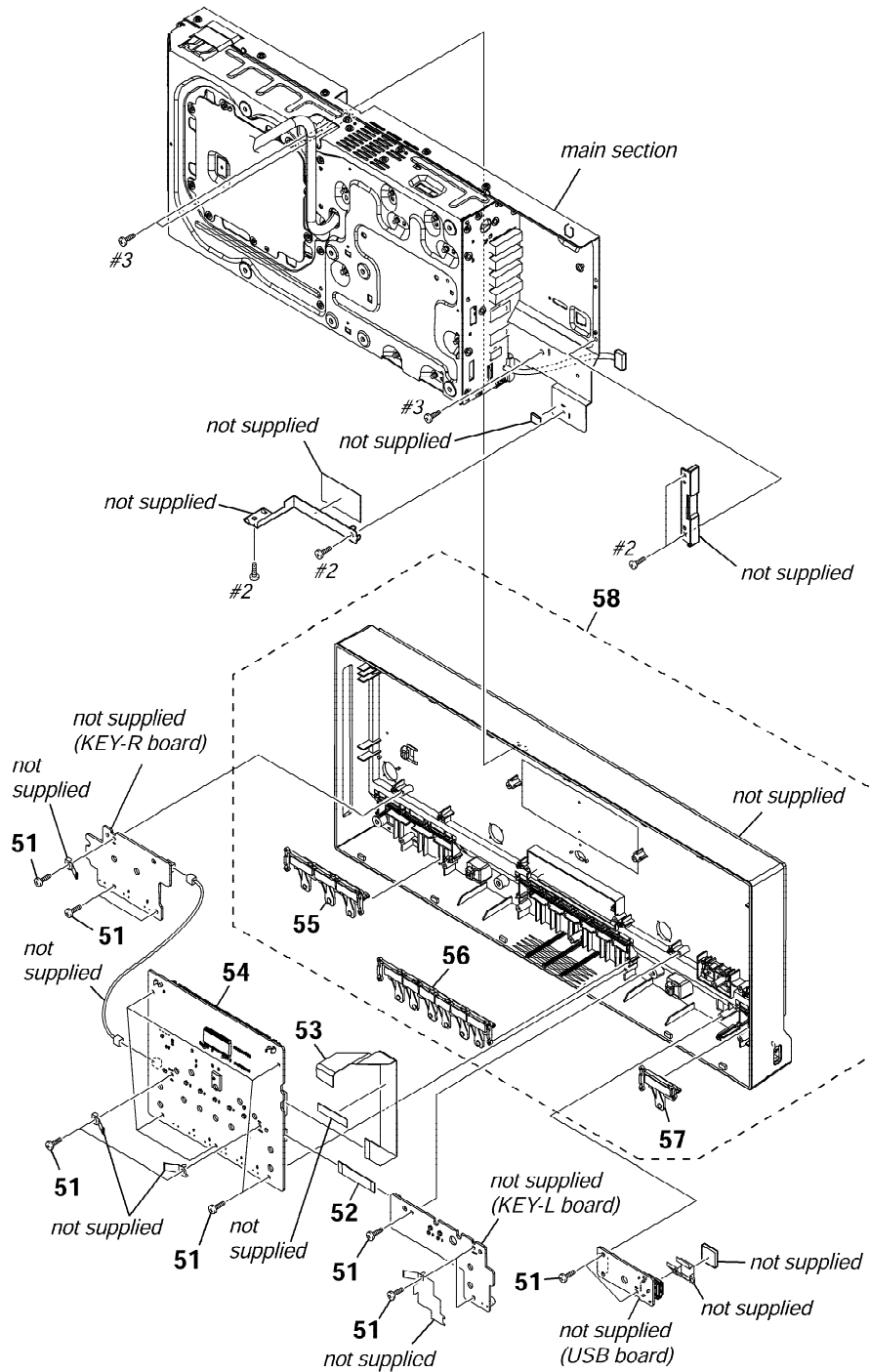


7-2. FRONT PANEL SECTION

Note: This illustration is seen from the back.

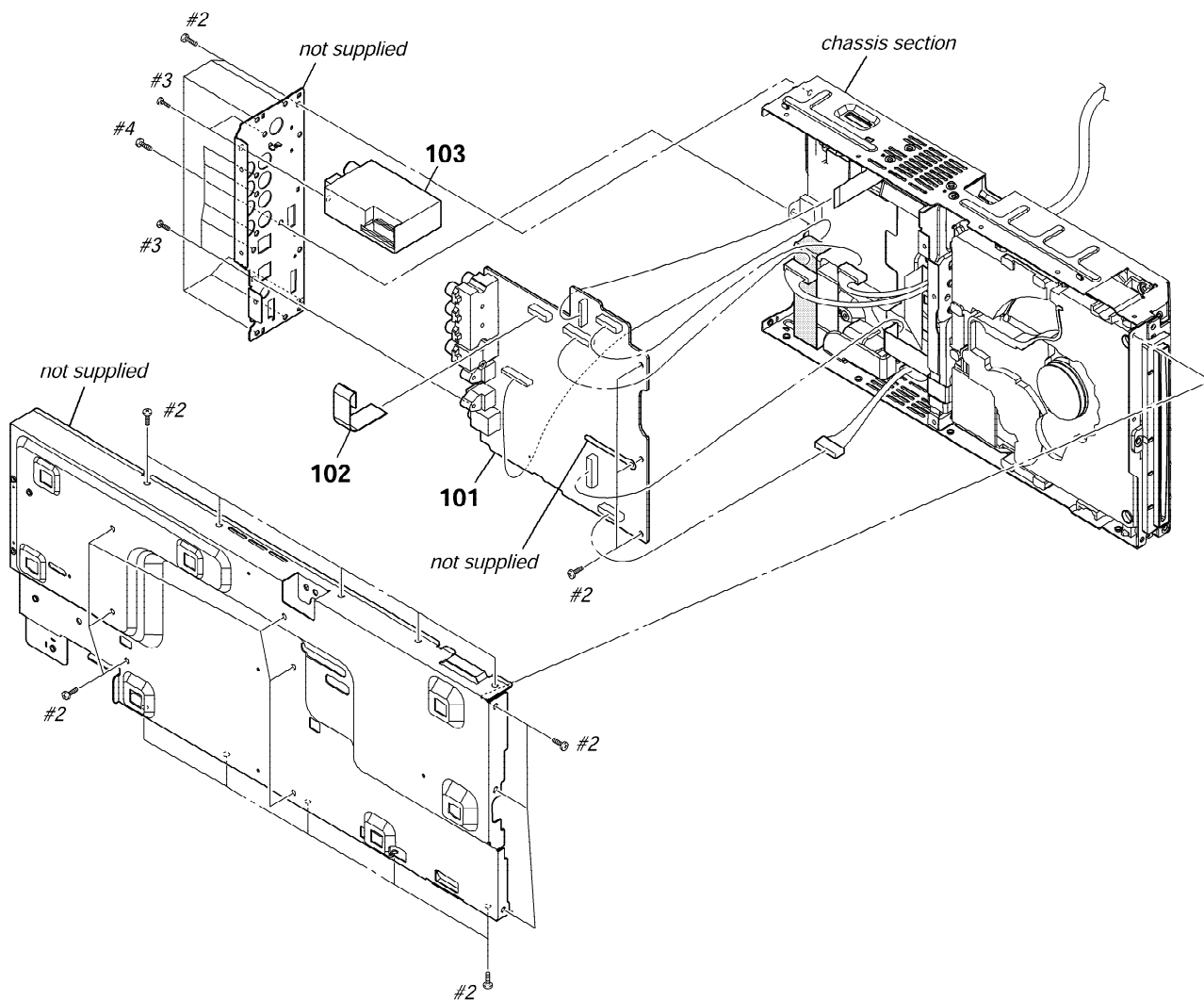


Note: If wire (flat type) is replaced, install it after bending it in the same form as that before replacement.

Ref. No.	Part No.	Description	Remark
51	3-087-053-01	1 BVTP2.6 (3CR)	
52	1-828-295-11	WIRE (FLAT TYPE) (17 CORE)	
53	1-828-002-11	WIRE (FLAT TYPE) (7 CORE)	
54	A-1497-847-A	FL BOARD, COMPLETE	
55	3-291-132-01	BUTTON (EJECT)	
56	3-291-130-01	BUTTON (PLAY)	
57	3-291-131-01	BUTTON (POWER)	

Ref. No.	Part No.	Description	Remark
58	A-1547-635-A	FRONT PANEL ASSY (SERVICE) (F200)	
58	A-1547-647-A	PANEL ASSY, FRONT (SERVICE) (F500: CND)	
58	A-1547-648-A	PANEL ASSY, FRONT (SERVICE) (F500: RU, E3, E51, SP, AUS)	
#2	7-685-645-79	SCREW +BVTP 3X6 TYPE2 IT-3	
#3	7-685-646-79	SCREW +BVTP 3X8 TYPE2 IT-3	

7-3. MAIN SECTION

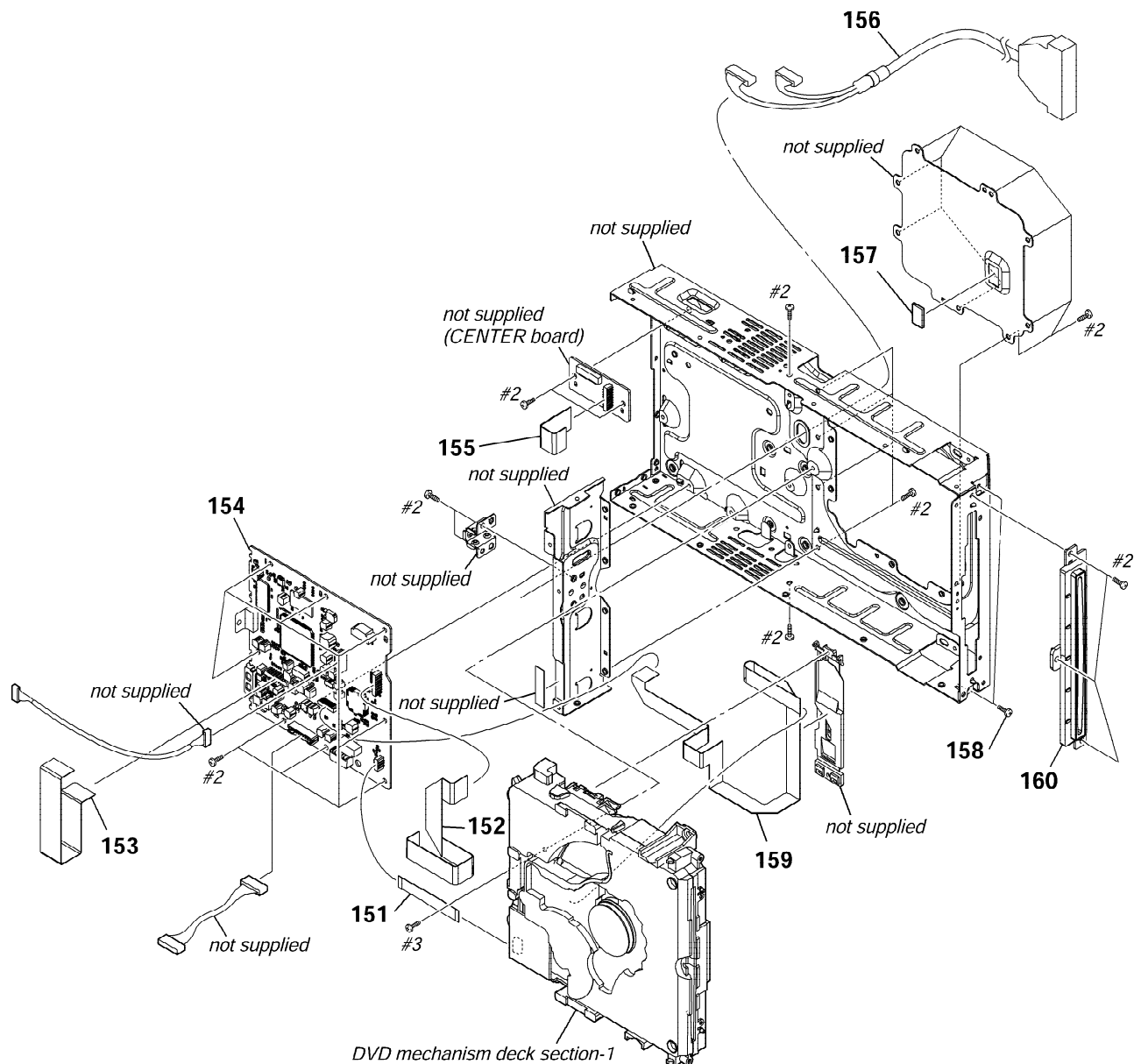


Note: If wire (flat type) is replaced, install it after bending it in the same form as that before replacement.

Ref. No.	Part No.	Description	Remark
101	A-1497-844-A	MAIN BOARD, COMPLETE (F200: AEP, UK)	
101	A-1497-860-A	MAIN BOARD, COMPLETE (F200: SP)	
101	A-1497-869-A	MAIN BOARD, COMPLETE (F500: RU)	
101	A-1497-875-A	MAIN BOARD, COMPLETE (F500: CND, E3, E51, SP, AUS)	
102	1-828-954-11	WIRE (FLAT TYPE) (9 CORE) (F200: SP/F500: CND, E3, E51, SP, AUS)	
102	1-828-964-11	WIRE (FLAT TYPE) (11 CORE) (F200: AEP, UK/F500: RU)	

Ref. No.	Part No.	Description	Remark
103	1-693-768-11	TUNER (FM) (F200: AEP, UK/F500: RU)	
103	1-693-769-11	TUNER (FM) (F200: SP/F500: E3, E51, SP, AUS)	
103	1-693-770-11	TUNER (FM) (F500: CND)	
#2	7-685-645-79	SCREW +BVTP 3X6 TYPE2 IT-3	
#3	7-685-646-79	SCREW +BVTP 3X8 TYPE2 IT-3	
#4	7-685-872-01	SCREW +BVTT 3X8 (S)	

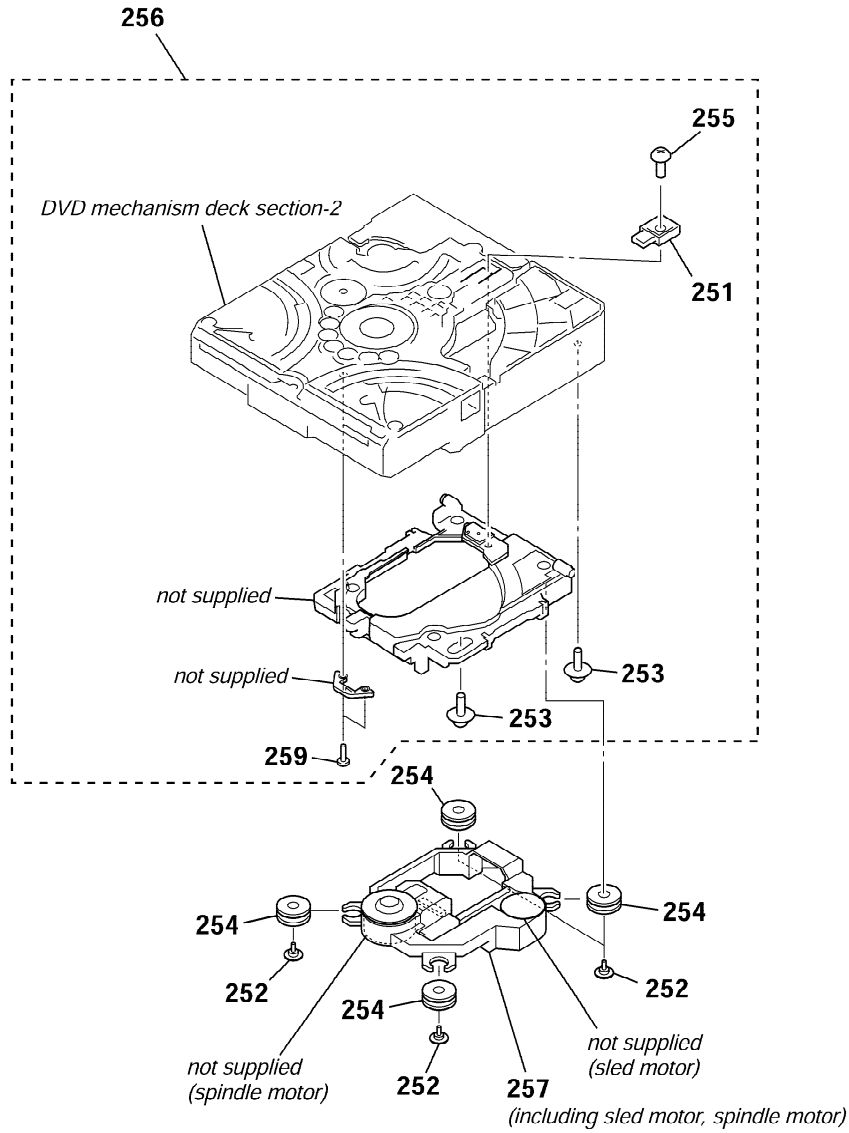
7-4. CHASSIS SECTION



Note: If wire (flat type) is replaced, install it after bending it in the same form as that before replacement.

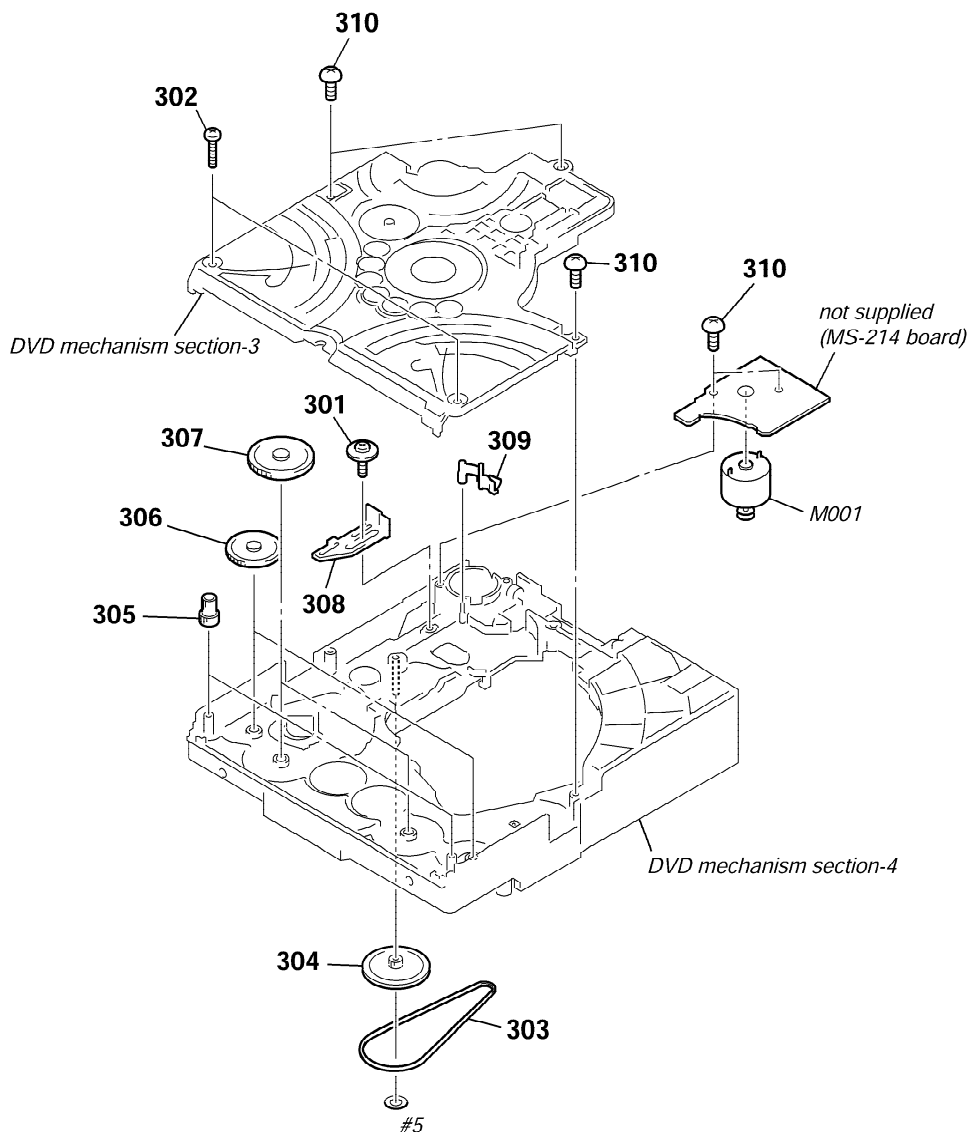
Ref. No.	Part No.	Description	Remark	Ref. No.	Part No.	Description	Remark
151	1-828-298-11	WIRE (FLAT TYPE) (7 CORE)		154	A-1545-121-A	DMB-FIT BOARD, COMPLETE (for SERVICE)	
152	1-828-341-11	WIRE (FLAT TYPE) (15 CORE)					(F500: E3, E15)
153	1-828-360-11	WIRE (FLAT TYPE) (19 CORE)		154	A-1545-122-A	DMB-FIT BOARD, COMPLETE (for SERVICE)	
154	A-1545-114-A	DMB-FIT BOARD, COMPLETE (for SERVICE)					(F500: AUS)
			(F200: AEP, UK)	155	1-828-347-11	WIRE (FLAT TYPE) (17 CORE)	
154	A-1545-115-A	DMB-FIT BOARD, COMPLETE (for SERVICE)		156	1-833-994-21	CABLE, SYSTEM	
			(F200: SP)	157	4-225-252-01	CUSHION (FOOT)	
154	A-1545-116-A	DMB-FIT BOARD, COMPLETE (for SERVICE)		158	3-087-053-01	+BVTP2.6 (3CR)	
			(F500: RU)	159	1-828-253-51	WIRE (FLAT TYPE) (24 CORE)	
154	A-1545-117-A	DMB-FIT BOARD, COMPLETE (for SERVICE)		160	A-1547-636-A	PANEL (SLOT) ASSY (SERVICE)	
			(F500: CND)	#2	7-685-645-79	SCREW +BVTP 3X6 TYPE2 IT-3	
154	A-1545-118-A	DMB-FIT BOARD, COMPLETE (for SERVICE)		#3	7-685-646-79	SCREW +BVTP 3X8 TYPE2 IT-3	
			(F500: SP)				

7-5. DVD MECHANISM DECK SECTION-1
(CDM86-DVBU101)



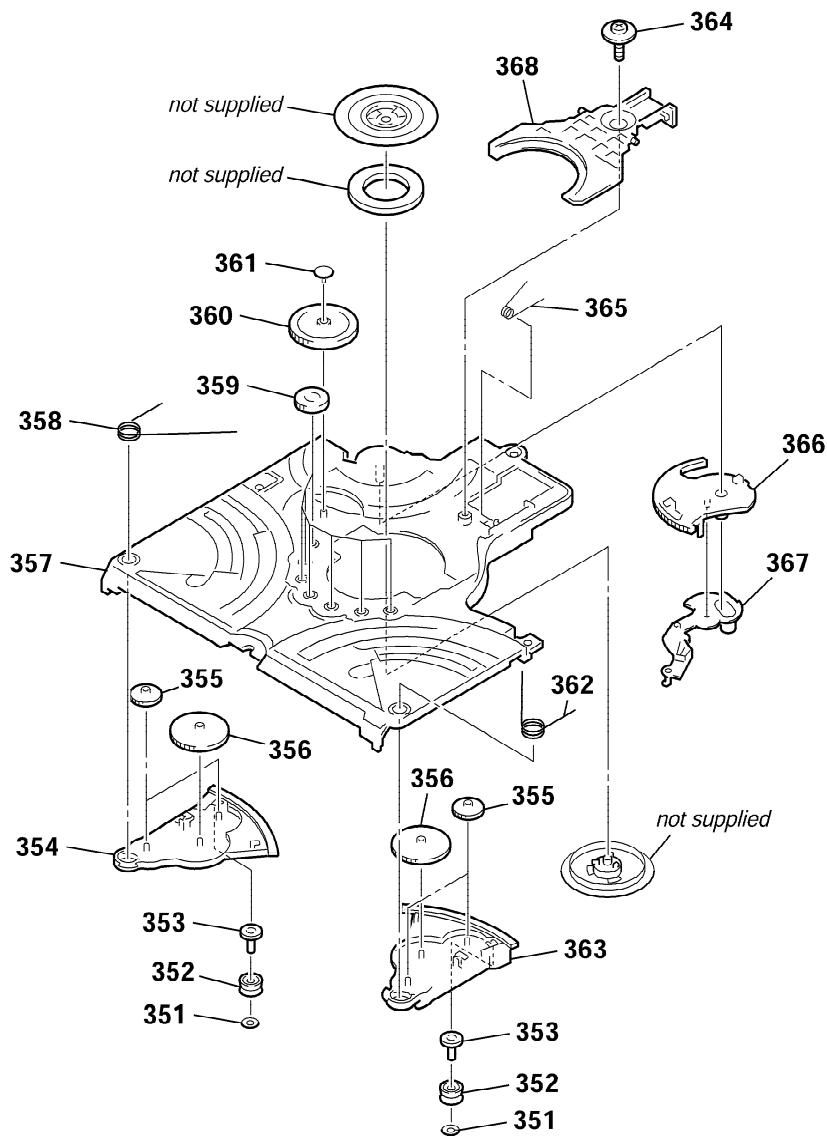
Ref. No.	Part No.	Description	Remark	Ref. No.	Part No.	Description	Remark
251	4-245-639-01	LEVER (CL UP2)		256	A-1114-646-A	MD (AU) ASSY	
252	3-087-599-01	INSULATOR SCREW		△ 257	8-820-322-04	OPTICAL PICK-UP BLOCK (KHM-313CAB/C2RP) (Including sled motor, spindle motor)	
253	3-088-752-01	FLOATING SCREW (+PTPWH M2.6)		259	2-023-066-01	TAPPING +B 2X6	
254	2-634-618-01	INSULATOR					
255	2-023-068-01	TAPPING +B 2.6X8					

7-6. DVD MECHANISM DECK SECTION-2
(CDM86-DVBU101)



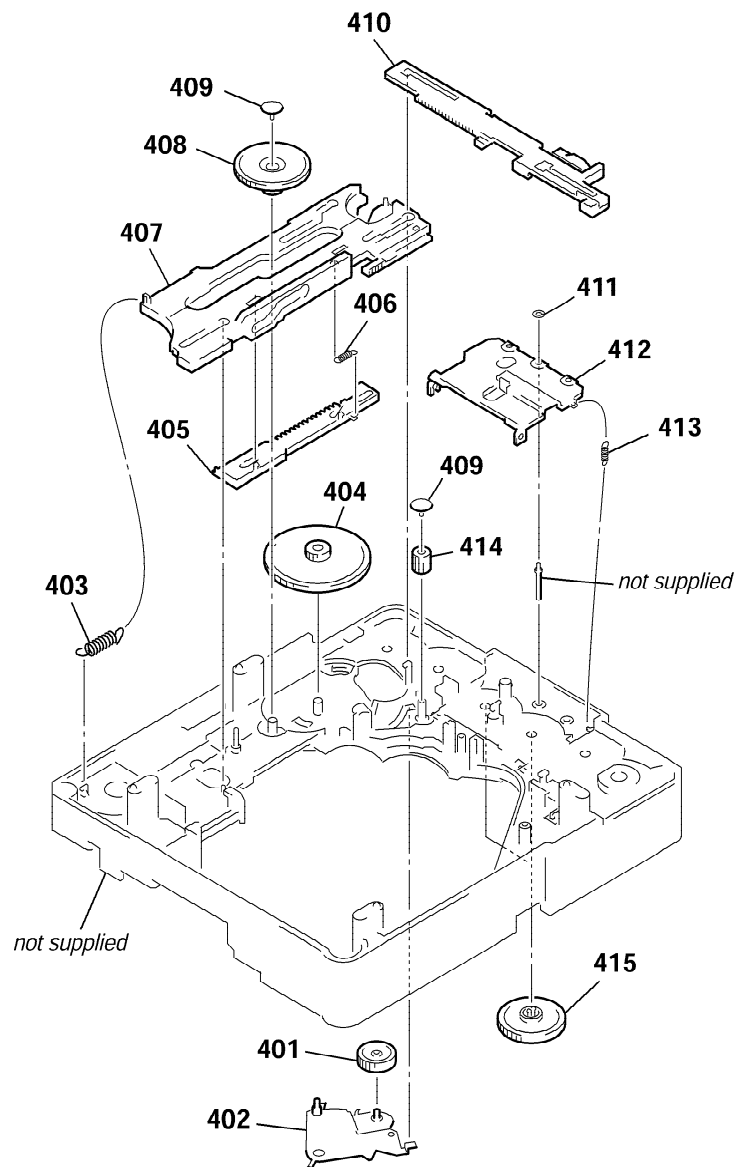
Ref. No.	Part No.	Description	Remark	Ref. No.	Part No.	Description	Remark
301	3-088-752-01	FLOATING SCREW (+PTPWH M2.6)		307	4-245-645-01	GEAR (IDL-E)	
302	2-023-648-01	TAPPING +B 2X10		308	4-246-203-01	LEVER (RELEASE)	
303	4-245-653-01	BELT (MOT)		309	4-245-630-01	LEVER (SW)	
304	4-245-662-02	PULLEY (GEAR)		310	2-023-068-01	TAPPING +B 2.6X8	
305	4-245-646-01	GEAR (IDL-F)		M001	X-4955-496-1	MOTOR (PULLEY) ASSY (LOADING)	
306	4-245-644-01	GEAR (IDL-D)		#5	7-623-921-01	WASHER 1.7, NYLON	

7-7. DVD MECHANISM DECK SECTION-3
(CDM86-DVBU101)



Ref. No.	Part No.	Description	Remark	Ref. No.	Part No.	Description	Remark
351	4-245-627-01	WASHER (6-2.7-0.4)		361	4-245-640-01	GEAR (CAP)	
352	4-245-637-11	ROLLER, RUBBER		362	4-245-632-11	SPR-T (LOADING-L)	
353	4-245-649-01	GEAR (IDL-I)		363	4-245-656-11	LEVER (LOADING-L)	
354	4-245-657-11	LEVER (LOADING-R)		364	3-088-752-01	FLOATING SCREW (+PTPWH M2.6)	
355	4-245-647-01	GEAR (IDL-G)		365	4-245-636-01	SPR-T CL DOWN	
356	4-245-648-01	GEAR (IDL-H)		366	4-245-658-11	LEVER (DISC STOP)	
357	4-245-655-01	CHASSIS (TOP)		367	4-245-659-11	LEVER (DISC SENSOR)	
358	4-245-631-11	SPT-T (LOADING-R)		368	2-023-065-02	LEVER, CL UP 1	
359	4-245-650-01	GEAR (IDL-J)					
360	4-245-651-11	GEAR (IDL-L)					

7-8. DVD MECHANISM DECK SECTION-4
(CDM86-DVBU101)



Ref. No.	Part No.	Description	Remark	Ref. No.	Part No.	Description	Remark
401	4-245-643-01	GEAR (IDL-C)		409	4-245-640-01	GEAR (CAP)	
402	X-4955-483-1	LEVER (GEAR LOADING) ASSY		410	4-245-628-01	LEVER (BU LOCK)	
403	2-515-536-01	SPRING (DIR), TENSION COIL					
404	4-245-642-01	GEAR (IDL-B)		411	4-248-206-01	WASHER (3-1-0.4)	
405	4-245-814-01	LEVER (DIR FIRST)		412	4-245-624-01	LEVER, CLOSE	
				413	4-245-635-01	SPR-E LEVER CLOSE	
406	2-515-534-01	SPRING (DIR BACK), TENSION COIL		414	4-245-629-01	GEAR (BU LOCK)	
407	4-245-660-11	LEVER (DIR)		415	4-245-644-01	GEAR (IDL-D)	
408	4-245-641-01	GEAR (IDL-A)					

**SECTION 8
ELECTRICAL PARTS LIST**

CENTER **DMB-FIT**

Note:

- Due to standardization, replacements in the parts list may be different from the parts specified in the diagrams or the components used on the set.
- -XX and -X mean standardized parts, so they may have some difference from the original one.
- Items marked "*" are not stocked since they are seldom required for routine service. Some delay should be anticipated when ordering these items.
- CAPACITORS
uF: µF
- COILS
uH: µH

- RESISTORS
All resistors are in ohms.
METAL: Metal-film resistor.
METAL OXIDE: Metal oxide-film resistor.
F: nonflammable
- SEMICONDUCTORS
In each case, u: µ, for example:
uA. . . : µA. . . , uPA. . . , µPA. . . ,
uPB. . . : µPB. . . , uPC. . . , µPC. . . ,
uPD. . . : µPD. . .
- Abbreviation
AUS : Australian model
CND : Canadian model
E3 : 240V AC area in E model
E15 : Iranian model
RU : Russian model
SP : Singapore model

When indicating parts by reference number, please include the board name.

The components identified by mark \triangle or dotted line with mark \triangle are critical for safety.
Replace only with part number specified.

Les composants identifiés par une marque \triangle sont critiques pour la sécurité.
Ne les remplacer que par une pièce portant le numéro spécifié.

The components identified by mark \square contain confidential information.
Strictly follow the instructions whenever the components are repaired and/or replaced.

Les composants identifiés par la marque \square contiennent des informations confidentielles.
Suivre scrupuleusement les instructions chaque fois qu'un composant est remplacé et / ou réparé.

Ref. No.	Part No.	Description	Remark	Ref. No.	Part No.	Description	Remark
		CENTER BOARD *****		C122	1-165-908-11	CERAMIC CHIP 1uF 10%	10V
		< CONNECTOR >		C123	1-165-908-11	CERAMIC CHIP 1uF 10%	10V
CN851	1-784-869-51	CONNECTOR, FFC (LIF (NON-ZIF)) 17P		C124	1-165-908-11	CERAMIC CHIP 1uF 10%	10V
CN852	1-784-376-51	CONNECTOR, FFC/FPC 17P					

\square	A-1545-114-A	DMB-FIT BOARD, COMPLETE (for SERVICE) (F200: AEP, UK)		C125	1-107-826-11	CERAMIC CHIP 0.1uF 10%	16V
\square	A-1545-115-A	DMB-FIT BOARD, COMPLETE (for SERVICE) (F200: SP)		C126	1-107-826-11	CERAMIC CHIP 0.1uF 10%	16V
\square	A-1545-116-A	DMB-FIT BOARD, COMPLETE (for SERVICE) (F500: RU)		C127	1-162-970-11	CERAMIC CHIP 0.01uF 10%	25V
\square	A-1545-117-A	DMB-FIT BOARD, COMPLETE (for SERVICE) (F500: CND)		C129	1-165-989-11	CERAMIC CHIP 10uF 10%	6.3V
\square	A-1545-118-A	DMB-FIT BOARD, COMPLETE (for SERVICE) (F500: SP)		C130	1-107-826-11	CERAMIC CHIP 0.1uF 10%	16V
\square	A-1545-121-A	DMB-FIT BOARD, COMPLETE (for SERVICE) (F500: E3, E15)		C132	1-107-826-11	CERAMIC CHIP 0.1uF 10%	16V
\square	A-1545-122-A	DMB-FIT BOARD, COMPLETE (for SERVICE) (F500: AUS)		C133	1-107-826-11	CERAMIC CHIP 0.1uF 10%	16V

		< CAPACITOR >		C135	1-164-677-11	CERAMIC CHIP 0.033uF 10%	16V
C101	1-162-970-11	CERAMIC CHIP 0.01uF 10%	25V	C136	1-162-970-11	CERAMIC CHIP 0.01uF 10%	25V
C102	1-165-908-11	CERAMIC CHIP 1uF 10%	10V	C137	1-107-826-11	CERAMIC CHIP 0.1uF 10%	16V
C105	1-128-994-21	ELECT CHIP 47uF 20%	10V	C138	1-162-964-11	CERAMIC CHIP 0.001uF 10%	50V
C106	1-162-970-11	CERAMIC CHIP 0.01uF 10%	25V	C139	1-162-919-11	CERAMIC CHIP 22PF 5%	50V
C108	1-162-970-11	CERAMIC CHIP 0.01uF 10%	25V	C140	1-107-826-11	CERAMIC CHIP 0.1uF 10%	16V
				C141	1-107-826-11	CERAMIC CHIP 0.1uF 10%	16V
C109	1-162-970-11	CERAMIC CHIP 0.01uF 10%	25V	C144	1-162-970-11	CERAMIC CHIP 0.01uF 10%	25V
C111	1-126-206-11	ELECT CHIP 100uF 20%	6.3V				
C112	1-128-994-21	ELECT CHIP 47uF 20%	10V	C145	1-124-779-00	ELECT CHIP 10uF 20%	16V
C113	1-162-970-11	CERAMIC CHIP 0.01uF 10%	25V	C146	1-107-826-11	CERAMIC CHIP 0.1uF 10%	16V
C114	1-107-826-11	CERAMIC CHIP 0.1uF 10%	16V	C147	1-165-176-11	CERAMIC CHIP 0.047uF 10%	16V
				C148	1-165-176-11	CERAMIC CHIP 0.047uF 10%	16V
C115	1-107-826-11	CERAMIC CHIP 0.1uF 10%	16V	C149	1-107-826-11	CERAMIC CHIP 0.1uF 10%	16V
C116	1-107-826-11	CERAMIC CHIP 0.1uF 10%	16V				
C117	1-128-994-21	ELECT CHIP 47uF 20%	10V	C151	1-162-964-11	CERAMIC CHIP 0.001uF 10%	50V
C118	1-128-994-21	ELECT CHIP 47uF 20%	10V	C152	1-162-916-11	CERAMIC CHIP 12PF 5%	50V
C119	1-128-994-21	ELECT CHIP 47uF 20%	10V	C153	1-162-917-11	CERAMIC CHIP 15PF 5%	50V
				C154	1-107-826-11	CERAMIC CHIP 0.1uF 10%	16V
C120	1-165-908-11	CERAMIC CHIP 1uF 10%	10V	C155	1-162-970-11	CERAMIC CHIP 0.01uF 10%	25V
C121	1-165-908-11	CERAMIC CHIP 1uF 10%	10V				
				C156	1-162-970-11	CERAMIC CHIP 0.01uF 10%	25V
				C158	1-162-970-11	CERAMIC CHIP 0.01uF 10%	25V
				C159	1-107-826-11	CERAMIC CHIP 0.1uF 10%	16V
				C160	1-162-970-11	CERAMIC CHIP 0.01uF 10%	25V
				C161	1-162-970-11	CERAMIC CHIP 0.01uF 10%	25V
				C162	1-162-970-11	CERAMIC CHIP 0.01uF 10%	25V
				C163	1-162-970-11	CERAMIC CHIP 0.01uF 10%	25V
				C164	1-162-970-11	CERAMIC CHIP 0.01uF 10%	25V
				C165	1-107-826-11	CERAMIC CHIP 0.1uF 10%	16V
				C169	1-107-826-11	CERAMIC CHIP 0.1uF 10%	16V
				C170	1-162-965-11	CERAMIC CHIP 0.0015uF 10%	50V
				C171	1-107-826-11	CERAMIC CHIP 0.1uF 10%	16V

Ref. No.	Part No.	Description	Remark	Ref. No.	Part No.	Description	Remark
C172	1-107-826-11	CERAMIC CHIP 0.1uF	10% 16V	C1115	1-165-989-11	CERAMIC CHIP 10uF	10% 6.3V
C174	1-162-970-11	CERAMIC CHIP 0.01uF	10% 25V	C1116	1-107-826-11	CERAMIC CHIP 0.1uF	10% 16V
C175	1-162-970-11	CERAMIC CHIP 0.01uF	10% 25V	C1117	1-165-989-11	CERAMIC CHIP 10uF	10% 6.3V
C176	1-162-970-11	CERAMIC CHIP 0.01uF	10% 25V	C1118	1-107-826-11	CERAMIC CHIP 0.1uF	10% 16V
C177	1-128-994-21	ELECT CHIP 47uF	20% 10V	C1119	1-162-964-11	CERAMIC CHIP 0.001uF	10% 50V
C179	1-107-826-11	CERAMIC CHIP 0.1uF	10% 16V	C1130	1-162-970-11	CERAMIC CHIP 0.01uF	10% 25V
C180	1-107-826-11	CERAMIC CHIP 0.1uF	10% 16V	C1161	1-162-964-11	CERAMIC CHIP 0.001uF	10% 50V
C181	1-107-826-11	CERAMIC CHIP 0.1uF	10% 16V	C1502	1-164-172-11	CERAMIC CHIP 0.0056uF	10% 25V
C182	1-127-715-11	CERAMIC CHIP 0.22uF	10% 16V	C1503	1-127-760-11	CERAMIC CHIP 4.7uF	10% 6.3V
C183	1-128-934-11	CERAMIC CHIP 0.33uF	20% 10V	C3001	1-162-970-11	CERAMIC CHIP 0.01uF	10% 25V
C184	1-162-970-11	CERAMIC CHIP 0.01uF	10% 25V				(F500)
C186	1-127-715-11	CERAMIC CHIP 0.22uF	10% 16V	C3801	1-126-193-11	ELECT CHIP 1uF	20% 50V
C187	1-128-994-21	ELECT CHIP 47uF	20% 10V	C3803	1-126-193-11	ELECT CHIP 1uF	20% 50V
C190	1-128-994-21	ELECT CHIP 47uF	20% 10V	C3804	1-126-193-11	ELECT CHIP 1uF	20% 50V
C191	1-107-826-11	CERAMIC CHIP 0.1uF	10% 16V	C3808	1-128-994-21	ELECT CHIP 47uF	20% 10V
C192	1-162-970-11	CERAMIC CHIP 0.01uF	10% 25V	C3810	1-107-826-11	CERAMIC CHIP 0.1uF	10% 16V
C193	1-127-715-11	CERAMIC CHIP 0.22uF	10% 16V	C3811	1-126-206-11	ELECT CHIP 100uF	20% 6.3V
C195	1-127-715-11	CERAMIC CHIP 0.22uF	10% 16V	C3815	1-126-193-11	ELECT CHIP 1uF	20% 50V
C197	1-107-826-11	CERAMIC CHIP 0.1uF	10% 16V	C3816	1-126-193-11	ELECT CHIP 1uF	20% 50V
C198	1-165-908-11	CERAMIC CHIP 1uF	10% 10V	C3818	1-126-193-11	ELECT CHIP 1uF	20% 50V
C199	1-162-968-11	CERAMIC CHIP 0.0047uF	10% 50V	C3819	1-107-826-11	CERAMIC CHIP 0.1uF	10% 16V
C203	1-162-970-11	CERAMIC CHIP 0.01uF	10% 25V	C3820	1-126-206-11	ELECT CHIP 100uF	20% 6.3V
C205	1-164-230-11	CERAMIC CHIP 220PF	5% 50V	C3901	1-128-994-21	ELECT CHIP 47uF	20% 10V
C206	1-164-230-11	CERAMIC CHIP 220PF	5% 50V	C9972	1-107-826-11	CERAMIC CHIP 0.1uF	10% 16V
C208	1-162-970-11	CERAMIC CHIP 0.01uF	10% 25V			< CONNECTOR >	
C209	1-164-677-11	CERAMIC CHIP 0.033uF	10% 16V	CN101	1-815-763-32	CONNECTOR, FFC/FPC 24P	
C210	1-162-970-11	CERAMIC CHIP 0.01uF	10% 25V	CN106	1-770-161-21	PIN, CONNECTOR (PC BOARD) 6P	
C211	1-164-677-11	CERAMIC CHIP 0.033uF	10% 16V	CN110	1-784-374-51	CONNECTOR, FFC/FPC 15P	
C212	1-162-970-11	CERAMIC CHIP 0.01uF	10% 25V	* CN201	1-770-470-21	PIN, CONNECTOR (PC BOARD) 6P	
C213	1-162-970-11	CERAMIC CHIP 0.01uF	10% 25V	CN202	1-784-366-51	CONNECTOR, FFC/FPC 7P	
C214	1-162-964-11	CERAMIC CHIP 0.001uF	10% 50V	CN602	1-816-296-21	PIN, CONNECTOR (PC BOARD) 9P	
C215	1-162-970-11	CERAMIC CHIP 0.01uF	10% 25V	CN701	1-820-735-31	HDMI CONNECTOR (HDMI OUT)	
C217	1-126-204-11	ELECT CHIP 47uF	20% 16V	CN1101	1-779-993-11	PIN, CONNECTOR (PWB) 5P	
C218	1-124-779-00	ELECT CHIP 10uF	20% 16V	CN3802	1-817-615-21	CONNECTOR, SQUARE TYPE (RECE) (DMPORT)	
C219	1-162-970-11	CERAMIC CHIP 0.01uF	10% 25V	CN4301	1-778-691-51	CONNECTOR, FFC/FPC 19P	
C220	1-124-779-00	ELECT CHIP 10uF	20% 16V			< DIODE >	
C221	1-107-826-11	CERAMIC CHIP 0.1uF	10% 16V	D1101	6-501-749-01	DIODE MAZ8082G0LS0	
C222	1-107-826-11	CERAMIC CHIP 0.1uF	10% 16V	D1102	6-501-740-01	DIODE MAZ8068G0LS0	
C223	1-107-826-11	CERAMIC CHIP 0.1uF	10% 16V	D1103	6-501-740-01	DIODE MAZ8068G0LS0	
C224	1-162-970-11	CERAMIC CHIP 0.01uF	10% 25V	D9712	8-719-060-48	DIODE RB751V-40TE-17	
C225	1-162-964-11	CERAMIC CHIP 0.001uF	10% 50V			< FERRITE BEAD >	
C226	1-162-964-11	CERAMIC CHIP 0.001uF	10% 50V	FB106	1-469-324-21	FERRITE, EMI (SMD) (2012)	
C233	1-162-968-11	CERAMIC CHIP 0.0047uF	10% 50V	FB107	1-469-324-21	FERRITE, EMI (SMD) (2012)	
C602	1-128-994-21	ELECT CHIP 47uF	20% 10V	FB108	1-469-324-21	FERRITE, EMI (SMD) (2012)	
C603	1-128-994-21	ELECT CHIP 47uF	20% 10V	FB109	1-469-324-21	FERRITE, EMI (SMD) (2012)	
C725	1-162-970-11	CERAMIC CHIP 0.01uF	10% 25V	FB111	1-469-670-21	FERRITE, EMI (SMD) (2012)	
C727	1-162-970-11	CERAMIC CHIP 0.01uF	10% 25V	FB112	1-469-670-21	FERRITE, EMI (SMD) (2012)	
C728	1-128-994-21	ELECT CHIP 47uF	20% 10V	FB115	1-469-670-21	FERRITE, EMI (SMD) (2012)	
C729	1-127-715-11	CERAMIC CHIP 0.22uF	10% 16V	FB116	1-469-670-21	FERRITE, EMI (SMD) (2012)	
C730	1-127-715-11	CERAMIC CHIP 0.22uF	10% 16V	FB117	1-469-670-21	FERRITE, EMI (SMD) (2012)	
C731	1-127-715-11	CERAMIC CHIP 0.22uF	10% 16V	FB118	1-469-670-21	FERRITE, EMI (SMD) (2012)	
C732	1-162-970-11	CERAMIC CHIP 0.01uF	10% 25V	FB124	1-469-324-21	FERRITE, EMI (SMD) (2012)	
C733	1-127-715-11	CERAMIC CHIP 0.22uF	10% 16V	FB601	1-469-324-21	FERRITE, EMI (SMD) (2012)	
C734	1-128-994-21	ELECT CHIP 47uF	20% 10V	FB602	1-469-324-21	FERRITE, EMI (SMD) (2012)	
C1100	1-162-970-11	CERAMIC CHIP 0.01uF	10% 25V	FB603	1-469-324-21	FERRITE, EMI (SMD) (2012)	
C1108	1-127-760-11	CERAMIC CHIP 4.7uF	10% 6.3V	FB604	1-469-324-21	FERRITE, EMI (SMD) (2012)	
C1109	1-126-206-11	ELECT CHIP 100uF	20% 6.3V	FB605	1-469-324-21	FERRITE, EMI (SMD) (2012)	
C1110	1-126-206-11	ELECT CHIP 100uF	20% 6.3V	FB606	1-469-324-21	FERRITE, EMI (SMD) (2012)	
C1112	1-128-414-21	ELECT CHIP 220uF	20% 6.3V				
C1114	1-107-826-11	CERAMIC CHIP 0.1uF	10% 16V				

HCD-F200/F500

DMB-FIT

Ref. No.	Part No.	Description	Remark	Ref. No.	Part No.	Description	Remark
FB1101	1-469-324-21	FERRITE, EMI (SMD) (2012)					
FB1103	1-469-324-21	FERRITE, EMI (SMD) (2012)				< RESISTOR >	
FB1104	1-469-379-11	FERRITE, EMI (SMD) (2012)					
FB1120	1-469-118-21	FERRITE, EMI (SMD) (1608)		R101	1-216-809-11	METAL CHIP 100 5%	1/10W
FB1121	1-469-118-21	FERRITE, EMI (SMD) (1608)		R102	1-216-864-11	SHORT CHIP 0	
FB1122	1-469-118-21	FERRITE, EMI (SMD) (1608)		R103	1-218-864-11	METAL CHIP 5.1K 0.5%	1/10W
FB1124	1-469-118-21	FERRITE, EMI (SMD) (1608)		R105	1-216-833-11	METAL CHIP 10K 5%	1/10W
FB1125	1-469-118-21	FERRITE, EMI (SMD) (1608)		R106	1-216-833-11	METAL CHIP 10K 5%	1/10W
FB3901	1-469-324-21	FERRITE, EMI (SMD) (2012)		R107	1-216-833-11	METAL CHIP 10K 5%	1/10W
FB3902	1-469-324-21	FERRITE, EMI (SMD) (2012)		R108	1-216-857-11	METAL CHIP 1M 5%	1/10W
		< FILTER >		R109	1-216-864-11	SHORT CHIP 0	
FL601	1-234-494-21	FILTER, EMI REMOVAL (SMD)		R110	1-216-841-11	METAL CHIP 47K 5%	1/10W
FL602	1-233-893-21	FILTER, CHIP EMI		R111	1-216-809-11	METAL CHIP 100 5%	1/10W
FL603	1-234-494-21	FILTER, EMI REMOVAL (SMD)		R112	1-211-977-11	METAL CHIP 22 0.5%	1/10W
FL3901	1-234-494-21	FILTER, EMI REMOVAL (SMD)		R113	1-211-977-11	METAL CHIP 22 0.5%	1/10W
		< IC >		R114	1-216-845-11	METAL CHIP 100K 5%	1/10W
IC101	6-711-269-01	IC CXD9894R (F200/F500: RU, E3, E15, SP, AUS)		R115	1-211-977-11	METAL CHIP 22 0.5%	1/10W
IC101	6-711-557-01	IC CXD9915R (F500: CND)		R116	1-216-821-11	METAL CHIP 1K 5%	1/10W
IC102	(Not supplied)	IC ES29LV320EB70TG-SHE1-0802CE (F200: AEP, UK)		R117	1-216-841-11	METAL CHIP 47K 5%	1/10W
IC102	(Not supplied)	IC ES29LV320EB70TG-SHE1-0802GA (F200: SP)		R118	1-216-801-11	METAL CHIP 22 5%	1/10W
IC102	(Not supplied)	IC ES29LV320EB70TG-SHE2-0802UC (F500: CND)		R120	1-216-801-11	METAL CHIP 22 5%	1/10W
IC102	(Not supplied)	IC ES29LV320EB70TG-SHE2-0802CE (F500: RU, E3, E15, AUS)		R121	1-216-801-11	METAL CHIP 22 5%	1/10W
IC102	(Not supplied)	IC ES29LV320EB70TG-SHE2-0802GA (F500: SP)		R123	1-216-864-11	SHORT CHIP 0	
IC103	(Not supplied)	IC S-24CS64A01-J8T1G		R124	1-216-841-11	METAL CHIP 47K 5%	1/10W
IC104	6-709-737-01	IC M12L64164A-7T (G)		R132	1-216-845-11	METAL CHIP 100K 5%	1/10W
IC105	6-702-302-01	IC TK11133CSCL-G		R133	1-216-864-11	SHORT CHIP 0	
IC107	6-702-302-01	IC TK11133CSCL-G		R135	1-216-821-11	METAL CHIP 1K 5%	1/10W
IC110	6-707-739-01	IC MM1661JTR		R136	1-216-835-11	METAL CHIP 15K 5%	1/10W
IC201	6-704-524-01	IC FAN8036L		R139	1-216-864-11	SHORT CHIP 0	
IC705	8-759-592-47	IC TC7SZ08FU (TE85R)		R140	1-216-821-11	METAL CHIP 1K 5%	1/10W
IC707	6-705-337-01	IC TK11150CSCL-G		R141	1-216-855-11	METAL CHIP 680K 5%	1/10W
IC708	6-702-302-01	IC TK11133CSCL-G		R142	1-216-845-11	METAL CHIP 100K 5%	1/10W
IC3001	8-759-592-47	IC TC7SZ08FU (TE85R) (F500)		R151	1-216-833-11	METAL CHIP 10K 5%	1/10W
IC3801	8-759-710-97	IC NJM4565M-D		R152	1-216-864-11	SHORT CHIP 0	
		< COIL >		R153	1-216-864-11	SHORT CHIP 0	
* L701	1-813-308-11	COMMON MODE CHOKE		R154	1-216-864-11	SHORT CHIP 0	
* L702	1-813-308-11	COMMON MODE CHOKE		R155	1-216-864-11	SHORT CHIP 0	
* L703	1-813-308-11	COMMON MODE CHOKE		R156	1-216-809-11	METAL CHIP 100 5%	1/10W
* L704	1-813-308-11	COMMON MODE CHOKE		R171	1-216-809-11	METAL CHIP 100 5%	1/10W
L1101	1-456-799-11	COIL, COMMON MODE CHOKE		R175	1-216-864-11	SHORT CHIP 0	
L3801	1-469-525-91	INDUCTOR 10uH		R179	1-216-864-11	SHORT CHIP 0	
		< TRANSISTOR >		R180	1-216-864-11	SHORT CHIP 0	
Q101	6-550-008-01	FET UM6K1N-TN		R189	1-218-827-11	METAL CHIP 150 0.5%	1/10W
Q102	6-550-653-01	TRANSISTOR QST8TR		R190	1-218-827-11	METAL CHIP 150 0.5%	1/10W
Q103	8-729-027-52	TRANSISTOR DTC124EKA-T146		R191	1-216-821-11	METAL CHIP 1K 5%	1/10W
Q105	8-729-028-27	FET 2SK2009 (TE85L)		R193	1-216-821-11	METAL CHIP 1K 5%	1/10W
Q701	6-550-008-01	FET UM6K1N-TN		R195	1-218-827-11	METAL CHIP 150 0.5%	1/10W
Q9724	6-551-699-01	TRANSISTOR ISA1602AM1TP-1EF		R197	1-218-827-11	METAL CHIP 150 0.5%	1/10W
Q9726	8-729-620-13	TRANSISTOR 2SC4154TP-1EF		R198	1-216-809-11	METAL CHIP 100 5%	1/10W
Q9728	8-729-620-13	TRANSISTOR 2SC4154TP-1EF		R204	1-216-822-11	METAL CHIP 1.2K 5%	1/10W
Q9729	8-729-027-43	TRANSISTOR DTC114EKA-T146		R205	1-216-833-11	METAL CHIP 10K 5%	1/10W
				R206	1-216-833-11	METAL CHIP 10K 5%	1/10W
				R207	1-216-826-11	METAL CHIP 2.7K 5%	1/10W
				R208	1-216-839-11	METAL CHIP 33K 5%	1/10W
				R209	1-216-839-11	METAL CHIP 33K 5%	1/10W
				R210	1-216-841-11	METAL CHIP 47K 5%	1/10W
				R212	1-216-833-11	METAL CHIP 10K 5%	1/10W
				R213	1-218-867-11	METAL CHIP 6.8K 0.5%	1/10W
				R214	1-216-835-11	METAL CHIP 15K 5%	1/10W
				R215	1-216-834-11	METAL CHIP 12K 5%	1/10W
				R216	1-216-834-11	METAL CHIP 12K 5%	1/10W

Note: IC102 and IC103 cannot exchange with single. When IC102 and IC103 are damaged, exchange the entire mounted board.

Ref. No.	Part No.	Description	Remark			Ref. No.	Part No.	Description	Remark		
R219	1-216-838-11	METAL CHIP	27K	5%	1/10W	R1138	1-216-864-11	SHORT CHIP	0		
R220	1-216-821-11	METAL CHIP	1K	5%	1/10W	R1139	1-216-864-11	SHORT CHIP	0		
R221	1-218-889-11	METAL CHIP	56K	0.5%	1/10W	R1140	1-216-864-11	SHORT CHIP	0		
R222	1-216-839-11	METAL CHIP	33K	5%	1/10W	R1141	1-216-864-11	SHORT CHIP	0		
R223	1-218-895-11	METAL CHIP	100K	0.5%	1/10W	R1142	1-216-864-11	SHORT CHIP	0		
R224	1-216-833-11	METAL CHIP	10K	5%	1/10W	R1143	1-216-864-11	SHORT CHIP	0		
R225	1-218-895-11	METAL CHIP	100K	0.5%	1/10W	R1150	1-216-827-11	METAL CHIP	3.3K	5%	1/10W
R226	1-218-889-11	METAL CHIP	56K	0.5%	1/10W	R1151	1-216-827-11	METAL CHIP	3.3K	5%	1/10W
R227	1-216-864-11	SHORT CHIP	0			R1152	1-216-827-11	METAL CHIP	3.3K	5%	1/10W
R228	1-216-864-11	SHORT CHIP	0			R1155	1-216-833-11	METAL CHIP	10K	5%	1/10W
R230	1-218-893-11	METAL CHIP	82K	0.5%	1/10W	R1167	1-216-864-11	SHORT CHIP	0		
R231	1-218-875-11	METAL CHIP	15K	0.5%	1/10W	R1168	1-216-813-11	METAL CHIP	220	5%	1/10W
R232	1-218-877-11	METAL CHIP	18K	0.5%	1/10W	R1171	1-216-864-11	SHORT CHIP	0		
R233	1-218-883-11	METAL CHIP	33K	0.5%	1/10W	R1176	1-216-864-11	SHORT CHIP	0		
R234	1-216-833-11	METAL CHIP	10K	5%	1/10W	R1177	1-216-864-11	SHORT CHIP	0		
R236	1-216-821-11	METAL CHIP	1K	5%	1/10W	R1178	1-216-821-11	METAL CHIP	1K	5%	1/10W
R237	1-216-821-11	METAL CHIP	1K	5%	1/10W	R1179	1-216-809-11	METAL CHIP	100	5%	1/10W
R238	1-216-821-11	METAL CHIP	1K	5%	1/10W	R1180	1-216-809-11	METAL CHIP	100	5%	1/10W
R239	1-216-821-11	METAL CHIP	1K	5%	1/10W	R1182	1-216-864-11	SHORT CHIP	0		
R243	1-216-805-11	METAL CHIP	47	5%	1/10W	R1184	1-216-809-11	METAL CHIP	100	5%	1/10W
R246	1-216-829-11	METAL CHIP	4.7K	5%	1/10W	R1185	1-216-809-11	METAL CHIP	100	5%	1/10W
R247	1-216-821-11	METAL CHIP	1K	5%	1/10W	R1187	1-216-805-11	METAL CHIP	47	5%	1/10W
R730	1-216-826-11	METAL CHIP	2.7K	5%	1/10W	R1188	1-216-864-11	SHORT CHIP	0		
R742	1-216-841-11	METAL CHIP	47K	5%	1/10W	R1200	1-216-864-11	SHORT CHIP	0		
R743	1-216-864-11	SHORT CHIP	0 (F500)			R1202	1-218-859-11	METAL CHIP	3.3K	0.5%	1/10W
R744	1-216-829-11	METAL CHIP	4.7K	5%	1/10W	R1746	1-216-864-11	SHORT CHIP	0		
R747	1-216-864-11	SHORT CHIP	0		(F200)	R2505	1-216-864-11	SHORT CHIP	0		
R748	1-216-864-11	SHORT CHIP	0			R3001	1-216-833-11	METAL CHIP	10K	5%	1/10W
R749	1-216-824-11	METAL CHIP	1.8K	5%	1/10W	R3002	1-216-833-11	METAL CHIP	10K	5%	1/10W
R750	1-216-824-11	METAL CHIP	1.8K	5%	1/10W	R3003	1-216-833-11	METAL CHIP	10K	5%	1/10W
R751	1-216-864-11	SHORT CHIP	0			R3004	1-216-833-11	METAL CHIP	10K	5%	1/10W
R752	1-216-864-11	SHORT CHIP	0			R3005	1-216-864-11	SHORT CHIP	0 (F200)		
R753	1-216-864-11	SHORT CHIP	0			R3803	1-218-879-11	METAL CHIP	22K	0.5%	1/10W
R781	1-216-827-11	METAL CHIP	3.3K	5%	1/10W	R3804	1-218-879-11	METAL CHIP	22K	0.5%	1/10W
R782	1-216-827-11	METAL CHIP	3.3K	5%	1/10W	R3805	1-218-879-11	METAL CHIP	22K	0.5%	1/10W
R783	1-216-864-11	SHORT CHIP	0			R3806	1-218-285-11	METAL CHIP	75	5%	1/10W
R784	1-216-864-11	SHORT CHIP	0			R3807	1-218-879-11	METAL CHIP	22K	0.5%	1/10W
R785	1-216-864-11	SHORT CHIP	0			R3808	1-216-829-11	METAL CHIP	4.7K	5%	1/10W
R786	1-216-864-11	SHORT CHIP	0			R3810	1-218-879-11	METAL CHIP	22K	0.5%	1/10W
R901	1-216-864-11	SHORT CHIP	0 (F200)			R3811	1-216-829-11	METAL CHIP	4.7K	5%	1/10W
R902	1-216-864-11	SHORT CHIP	0 (F500)			R3813	1-218-879-11	METAL CHIP	22K	0.5%	1/10W
R911	1-216-864-11	SHORT CHIP	0 (F500: CND)			R3814	1-218-879-11	METAL CHIP	22K	0.5%	1/10W
R912	1-216-864-11	SHORT CHIP	0		(F200: AEP, UK/F500: RU, E3, E15, AUS)	R3815	1-218-879-11	METAL CHIP	22K	0.5%	1/10W
R913	1-216-864-11	SHORT CHIP	0 (F200: SP/F500: SP)			R3816	1-216-809-11	METAL CHIP	100	5%	1/10W
R1101	1-218-841-11	METAL CHIP	560	0.5%	1/10W	R3817	1-216-809-11	METAL CHIP	100	5%	1/10W
R1102	1-218-827-11	METAL CHIP	150	0.5%	1/10W	R4701	1-216-864-11	SHORT CHIP	0		
R1104	1-216-829-11	METAL CHIP	4.7K	5%	1/10W	R4702	1-216-864-11	SHORT CHIP	0		
R1108	1-216-864-11	SHORT CHIP	0			R4703	1-216-864-11	SHORT CHIP	0		
R1110	1-216-826-11	METAL CHIP	2.7K	5%	1/10W	R4704	1-216-864-11	SHORT CHIP	0		
R1114	1-216-801-11	METAL CHIP	22	5%	1/10W	R4705	1-216-864-11	SHORT CHIP	0		
R1115	1-216-864-11	SHORT CHIP	0			R9918	1-216-821-11	METAL CHIP	1K	5%	1/10W
R1121	1-216-864-11	SHORT CHIP	0			R9920	1-216-864-11	SHORT CHIP	0		
R1123	1-216-864-11	SHORT CHIP	0			R9922	1-216-833-11	METAL CHIP	10K	5%	1/10W
R1127	1-216-833-11	METAL CHIP	10K	5%	1/10W	R9924	1-216-821-11	METAL CHIP	1K	5%	1/10W
R1128	1-216-833-11	METAL CHIP	10K	5%	1/10W	R9928	1-216-837-11	METAL CHIP	22K	5%	1/10W
R1129	1-216-845-11	METAL CHIP	100K	5%	1/10W	R9929	1-216-837-11	METAL CHIP	22K	5%	1/10W
R1133	1-216-864-11	SHORT CHIP	0			R9934	1-216-833-11	METAL CHIP	10K	5%	1/10W
R1134	1-216-864-11	SHORT CHIP	0			R9935	1-216-864-11	SHORT CHIP	0		
						R9941	1-216-838-11	METAL CHIP	27K	5%	1/10W
						R9945	1-216-813-11	METAL CHIP	220	5%	1/10W

HCD-F200/F500

DMB-FIT **FL**

Ref. No.	Part No.	Description	Remark
		< COMPOSITION CIRCUIT BLOCK >	
RB103	1-234-400-21	CONDUCTOR, NETWORK (1005X4)	
RB104	1-234-400-21	CONDUCTOR, NETWORK (1005X4)	
RB105	1-234-944-21	RES, NETWORK 47 (1005X4)	
RB106	1-234-944-21	RES, NETWORK 47 (1005X4)	
RB107	1-234-400-21	CONDUCTOR, NETWORK (1005X4)	
RB108	1-234-400-21	CONDUCTOR, NETWORK (1005X4)	
RB109	1-234-400-21	CONDUCTOR, NETWORK (1005X4)	
RB110	1-234-400-21	CONDUCTOR, NETWORK (1005X4)	
RB111	1-234-400-21	CONDUCTOR, NETWORK (1005X4)	
RB112	1-234-400-21	CONDUCTOR, NETWORK (1005X4)	
RB113	1-234-400-21	CONDUCTOR, NETWORK (1005X4)	
RB114	1-234-400-21	CONDUCTOR, NETWORK (1005X4)	
RB115	1-234-400-21	CONDUCTOR, NETWORK (1005X4)	
RB121	1-234-378-11	RES, NETWORK 10K (1005X4)	
		< VIBRATOR >	
X101	1-814-103-21	VIBRATOR, CRYSTAL (27MHz)	

	A-1497-874-A	FL BOARD, COMPLETE	

		< CAPACITOR >	
C801	1-162-970-11	CERAMIC CHIP 0.01uF 10% 25V	
C802	1-117-681-11	ELECT CHIP 100uF 20% 16V	
C805	1-117-681-11	ELECT CHIP 100uF 20% 16V	
C808	1-163-037-11	CERAMIC CHIP 0.022uF 10% 50V	
C821	1-115-339-11	CERAMIC CHIP 0.1uF 10% 50V	
C822	1-128-405-11	ELECT CHIP 22uF 20% 50V	
C823	1-115-339-11	CERAMIC CHIP 0.1uF 10% 50V	
C824	1-128-405-11	ELECT CHIP 22uF 20% 50V	
C825	1-162-923-11	CERAMIC CHIP 47PF 5% 50V	
C826	1-162-970-11	CERAMIC CHIP 0.01uF 10% 25V	
C827	1-162-970-11	CERAMIC CHIP 0.01uF 10% 25V	
C828	1-162-966-11	CERAMIC CHIP 0.0022uF 10% 50V	
C829	1-162-927-11	CERAMIC CHIP 100PF 5% 50V	
C830	1-162-927-11	CERAMIC CHIP 100PF 5% 50V	
C831	1-162-970-11	CERAMIC CHIP 0.01uF 10% 25V	
C832	1-117-681-11	ELECT CHIP 100uF 20% 16V	
C837	1-125-837-91	CERAMIC CHIP 1uF 10% 6.3V	
C839	1-125-837-91	CERAMIC CHIP 1uF 10% 6.3V	
C840	1-162-970-11	CERAMIC CHIP 0.01uF 10% 25V	
C841	1-107-826-11	CERAMIC CHIP 0.1uF 10% 16V	
C843	1-117-681-11	ELECT CHIP 100uF 20% 16V	
		< CONNECTOR >	
CN806	1-784-869-51	CONNECTOR, FFC (LIF (NON-ZIF)) 17P	
CN807	1-784-859-51	CONNECTOR, FFC (LIF (NON-ZIF)) 7P	
CN808	1-564-718-11	PIN, CONNECTOR (SMALL TYPE) 2P	
		< DIODE >	
D801	6-501-817-01	DIODE MA2J1110GLS0	
D802	6-501-817-01	DIODE MA2J1110GLS0	
D803	6-501-817-01	DIODE MA2J1110GLS0	
D804	6-501-817-01	DIODE MA2J1110GLS0	
D805	6-501-738-01	DIODE MAZ8062GMLS0	
D821	6-501-534-01	LED NSSW100BT (FRONT PAMEL BUTTON ILLUMINATION)	

Ref. No.	Part No.	Description	Remark
D823	6-501-534-01	LED NSSW100BT (FRONT PAMEL BUTTON ILLUMINATION)	
D825	6-501-534-01	LED NSSW100BT (FRONT PAMEL BUTTON ILLUMINATION)	
		< IC >	
IC801	6-600-684-01	IC NJL22H400B	
IC802	6-705-899-01	IC ML9208-03MBZ03B	
IC803	6-702-302-01	IC TK11133CSCL-G	
		< COIL >	
L801	1-469-527-91	INDUCTOR 47uH	
L802	1-414-754-11	INDUCTOR 10uH	
		< FLUORESCENT INDICATOR TUBE >	
ND801	1-519-996-11	INDICATOR TUBE, FLUORESCENT	
		< TRANSISTOR >	
Q801	6-550-065-01	TRANSISTOR CPH5504-TL-E	
Q802	8-729-620-07	TRANSISTOR 2SC3052EF-T1-LEF	
Q821	6-550-260-01	TRANSISTOR RT1N237M-TP-1	
		< RESISTOR >	
R801	1-216-805-11	METAL CHIP 47 5% 1/10W	
R804	1-216-825-11	METAL CHIP 2.2K 5% 1/10W	
R805	1-216-821-11	METAL CHIP 1K 5% 1/10W	
R806	1-216-845-11	METAL CHIP 100K 5% 1/10W	
R807	1-216-809-11	METAL CHIP 100 5% 1/10W	
R808	1-216-809-11	METAL CHIP 100 5% 1/10W	
R809	1-216-809-11	METAL CHIP 100 5% 1/10W	
R810	1-216-809-11	METAL CHIP 100 5% 1/10W	
R811	1-216-839-11	METAL CHIP 33K 5% 1/10W	
R812	1-216-833-11	METAL CHIP 10K 5% 1/10W	
R813	1-216-827-11	METAL CHIP 3.3K 5% 1/10W	
R814	1-216-809-11	METAL CHIP 100 5% 1/10W	
R815	1-216-809-11	METAL CHIP 100 5% 1/10W	
R818	1-216-817-11	METAL CHIP 470 5% 1/10W	
R819	1-216-845-11	METAL CHIP 100K 5% 1/10W	
R821	1-216-817-11	METAL CHIP 470 5% 1/10W	
R822	1-216-817-11	METAL CHIP 470 5% 1/10W	
R825	1-216-821-11	METAL CHIP 1K 5% 1/10W	
R826	1-216-825-11	METAL CHIP 2.2K 5% 1/10W	
R827	1-216-821-11	METAL CHIP 1K 5% 1/10W	
R828	1-216-825-11	METAL CHIP 2.2K 5% 1/10W	
R829	1-216-825-11	METAL CHIP 2.2K 5% 1/10W	
R830	1-216-817-11	METAL CHIP 470 5% 1/10W	
R831	1-216-817-11	METAL CHIP 470 5% 1/10W	
		< SWITCH >	
S821	1-762-875-21	SWITCH, KEYBOARD (▶▶)	
S822	1-762-875-21	SWITCH, KEYBOARD (■)	
S831	1-762-875-21	SWITCH, KEYBOARD (■)	
S832	1-762-875-21	SWITCH, KEYBOARD (◀◀)	
S833	1-762-875-21	SWITCH, KEYBOARD (▶▶)	
S834	1-762-875-21	SWITCH, KEYBOARD (FUNCTION)	
		< TRANSFORMER >	
T801	1-445-231-11	TRANSFORMER, DC-DC CONVERTER	

Ref. No.	Part No.	Description	Remark	Ref. No.	Part No.	Description	Remark
		KEY-L BOARD *****					
		< CONNECTOR >					
CN871	1-784-859-51	CONNECTOR, FFC (LIF (NON-ZIF)) 7P		C204	1-162-921-11	CERAMIC CHIP 33PF 5% 50V	
		< LED >		C205	1-162-922-11	CERAMIC CHIP 39PF 5% 50V	
D871	6-501-052-02	LED CL-197HB1-D-T (AUTO) (F200)		C206	1-128-394-11	ELECT CHIP 220uF 20% 10V	
D871	6-501-052-02	LED CL-197HB1-D-T (A.F.D STD) (F500)		C207	1-107-826-11	CERAMIC CHIP 0.1uF 10% 16V	
D873	6-501-052-02	LED CL-197HB1-D-T (WIDE STAGE) (F200)		C208	1-107-826-11	CERAMIC CHIP 0.1uF 10% 16V	
D873	6-501-052-02	LED CL-197HB1-D-T (D.C.S.) (F500)					
		< TRANSISTOR >		C209	1-128-394-11	ELECT CHIP 220uF 20% 10V	
Q871	6-550-260-01	TRANSISTOR RT1N237M-TP-1		C210	1-124-779-00	ELECT CHIP 10uF 20% 16V	
Q872	6-550-260-01	TRANSISTOR RT1N237M-TP-1		C211	1-107-826-11	CERAMIC CHIP 0.1uF 10% 16V	
		< RESISTOR >		C212	1-124-779-00	ELECT CHIP 10uF 20% 16V	
R871	1-216-821-11	METAL CHIP 1K 5% 1/10W		C213	1-107-826-11	CERAMIC CHIP 0.1uF 10% 16V	
R872	1-216-821-11	METAL CHIP 1K 5% 1/10W					
		< SWITCH >		C214	1-107-826-11	CERAMIC CHIP 0.1uF 10% 16V	
S871	1-762-875-21	SWITCH, KEYBOARD (I/C)		C215	1-126-193-11	ELECT CHIP 1uF 20% 50V	
*****				C216	1-124-779-00	ELECT CHIP 10uF 20% 16V	
		KEY-R BOARD *****		C217	1-107-826-11	CERAMIC CHIP 0.1uF 10% 16V	
		< CONNECTOR >		C218	1-124-779-00	ELECT CHIP 10uF 20% 16V	
CN881	1-564-718-11	PIN, CONNECTOR (SMALL TYPE) 2P					
		< RESISTOR >		C219	1-126-193-11	ELECT CHIP 1uF 20% 50V	
R881	1-216-821-11	METAL CHIP 1K 5% 1/10W		C220	1-126-193-11	ELECT CHIP 1uF 20% 50V	
R882	1-216-825-11	METAL CHIP 2.2K 5% 1/10W		C221	1-126-193-11	ELECT CHIP 1uF 20% 50V	
		< SWITCH >		C222	1-126-193-11	ELECT CHIP 1uF 20% 50V	
S881	1-762-875-21	SWITCH, KEYBOARD (VOL -)		C223	1-107-826-11	CERAMIC CHIP 0.1uF 10% 16V	
S882	1-762-875-21	SWITCH, KEYBOARD (VOL +)					
S883	1-762-875-21	SWITCH, KEYBOARD (▲)		C224	1-128-994-21	ELECT CHIP 47uF 20% 10V	
*****				C225	1-126-193-11	ELECT CHIP 1uF 20% 50V	
A-1497-844-A		MAIN BOARD, COMPLETE (F200: AEP, UK)		C226	1-126-193-11	ELECT CHIP 1uF 20% 50V	
A-1497-860-A		MAIN BOARD, COMPLETE (F200: SP)		C251	1-107-826-11	CERAMIC CHIP 0.1uF 10% 16V	
A-1497-869-A		MAIN BOARD, COMPLETE (F500: RU)		C252	1-135-474-21	ELECT CHIP 330uF 20% 6.3V	
A-1497-875-A		MAIN BOARD, COMPLETE (F500: CND, E3, E15, SP, AUS)					
		< LEAD >		C253	1-126-206-11	ELECT CHIP 100uF 20% 6.3V	
A301	1-537-584-11	PIN, LEAD		C254	1-125-837-91	CERAMIC CHIP 1uF 10% 6.3V	
		< CAPACITOR >		C255	1-125-837-91	CERAMIC CHIP 1uF 10% 6.3V	
C101	1-107-826-11	CERAMIC CHIP 0.1uF 10% 16V		C256	1-126-206-11	ELECT CHIP 100uF 20% 6.3V	
C102	1-107-826-11	CERAMIC CHIP 0.1uF 10% 16V		C257	1-124-779-00	ELECT CHIP 10uF 20% 16V	
C103	1-126-206-11	ELECT CHIP 100uF 20% 6.3V					
C104	1-126-206-11	ELECT CHIP 100uF 20% 6.3V		C258	1-110-530-11	ELECT CHIP 1000uF 20% 6.3V	
C107	1-107-826-11	CERAMIC CHIP 0.1uF 10% 16V		C259	1-107-826-11	CERAMIC CHIP 0.1uF 10% 16V	
				C260	1-117-681-11	ELECT CHIP 100uF 20% 16V	
C111	1-107-826-11	CERAMIC CHIP 0.1uF 10% 16V		C261	1-124-779-00	ELECT CHIP 10uF 20% 16V	
C112	1-107-826-11	CERAMIC CHIP 0.1uF 10% 16V		C262	1-126-193-11	ELECT CHIP 1uF 20% 50V	
C201	1-107-826-11	CERAMIC CHIP 0.1uF 10% 16V					
C202	1-128-394-11	ELECT CHIP 220uF 20% 10V		C263	1-107-826-11	CERAMIC CHIP 0.1uF 10% 16V	
C203	1-107-826-11	CERAMIC CHIP 0.1uF 10% 16V		C264	1-110-530-11	ELECT CHIP 1000uF 20% 6.3V	
				C274	1-107-826-11	CERAMIC CHIP 0.1uF 10% 16V	
				C278	1-126-205-11	ELECT CHIP 47uF 20% 6.3V	(F200)
							(F200)
				C281	1-126-205-11	ELECT CHIP 47uF 20% 6.3V	(F200)
							(F200)
				C282	1-162-970-11	CERAMIC CHIP 0.01uF 10% 25V	(F200)
							(F200)
				C301	1-107-826-11	CERAMIC CHIP 0.1uF 10% 16V	
				C302	1-117-681-11	ELECT CHIP 100uF 20% 16V	
				C304	1-164-227-11	CERAMIC CHIP 0.022uF 10% 25V	(F200: AEP, UK/F500: RU)
							(F200: AEP, UK/F500: RU)
				C305	1-164-227-11	CERAMIC CHIP 0.022uF 10% 25V	(F200: AEP, UK/F500: RU)
				C701	1-107-826-11	CERAMIC CHIP 0.1uF 10% 16V	
				C702	1-117-681-11	ELECT CHIP 100uF 20% 16V	
				C703	1-107-826-11	CERAMIC CHIP 0.1uF 10% 16V	
				C704	1-117-681-11	ELECT CHIP 100uF 20% 16V	
				C705	1-107-826-11	CERAMIC CHIP 0.1uF 10% 16V	
				C706	1-117-681-11	ELECT CHIP 100uF 20% 16V	
				C707	1-107-826-11	CERAMIC CHIP 0.1uF 10% 16V	
				C708	1-117-681-11	ELECT CHIP 100uF 20% 16V	
				C709	1-128-398-11	ELECT CHIP 220uF 20% 16V	
				C710	1-107-826-11	CERAMIC CHIP 0.1uF 10% 16V	

HCD-F200/F500

MAIN

Ref. No.	Part No.	Description	Remark	Ref. No.	Part No.	Description	Remark
C711	1-107-826-11	CERAMIC CHIP 0.1uF	10% 16V	D705	6-501-817-01	DIODE MA2J1110GLS0	
C712	1-107-826-11	CERAMIC CHIP 0.1uF	10% 16V	D706	6-501-817-01	DIODE MA2J1110GLS0	
C713	1-107-826-11	CERAMIC CHIP 0.1uF	10% 16V			< TERMINAL >	
C714	1-107-826-11	CERAMIC CHIP 0.1uF	10% 16V	* ET701	1-780-408-11	TERMINAL	
C715	1-107-826-11	CERAMIC CHIP 0.1uF	10% 16V	* ET702	1-780-408-11	TERMINAL	
				* ET703	1-780-408-11	TERMINAL	
C718	1-117-681-11	ELECT CHIP 100uF	20% 16V			< FERRITE BEAD >	
C719	1-128-394-11	ELECT CHIP 220uF	20% 10V	FB202	1-414-760-21	FERRITE, EMI (SMD) (1608)	
C720	1-128-394-11	ELECT CHIP 220uF	20% 10V	FB203	1-414-760-21	FERRITE, EMI (SMD) (1608)	
C721	1-117-681-11	ELECT CHIP 100uF	20% 16V			< FILTER >	
C722	1-117-681-11	ELECT CHIP 100uF	20% 16V	FL201	1-234-177-21	FILTER, CHIP EMI	
				FL202	1-234-177-21	FILTER, CHIP EMI	
C723	1-107-826-11	CERAMIC CHIP 0.1uF	10% 16V	FL203	1-234-177-21	FILTER, CHIP EMI	
C724	1-107-826-11	CERAMIC CHIP 0.1uF	10% 16V	FL272	1-234-177-21	FILTER, CHIP EMI	
C731	1-107-826-11	CERAMIC CHIP 0.1uF	10% 16V			< IC >	
C732	1-117-681-11	ELECT CHIP 100uF	20% 16V	IC101	A-1545-113-A	IC R5F3640DDDFAR (for SERVICE) (F200)	
C733	1-107-826-11	CERAMIC CHIP 0.1uF	10% 16V	IC101	A-1545-194-A	IC R5F3640DDDFAR (for SERVICE) (F500)	
				IC201	6-710-804-01	IC AK4683EQ	
C734	1-117-681-11	ELECT CHIP 100uF	20% 16V	IC251	6-707-489-01	IC BH7868FS-E2	
C902	1-107-826-11	CERAMIC CHIP 0.1uF	10% 16V	IC273	6-703-238-01	IC TC7WZ34FK (TE85R)	
C903	1-107-826-11	CERAMIC CHIP 0.1uF	10% 16V				
			(F500)	IC281	8-759-592-47	IC TC7SZ08FU (TE85R) (F200)	
C904	1-164-230-11	CERAMIC CHIP 220PF	5% 50V	IC701	6-712-613-01	IC SI-3010KM-TLS	
C905	1-164-230-11	CERAMIC CHIP 220PF	5% 50V	IC702	6-712-613-01	IC SI-3010KM-TLS	
				IC703	6-712-613-01	IC SI-3010KM-TLS	
C906	1-126-208-21	ELECT CHIP 47uF	20% 4V	IC704	6-712-613-01	IC SI-3010KM-TLS	
			(F500)	IC705	6-712-613-01	IC SI-3010KM-TLS	
C907	1-162-927-11	CERAMIC CHIP 100PF	5% 50V	IC706	6-712-613-01	IC SI-3010KM-TLS	
			(F500)	IC709	8-759-700-07	IC NJM2903M	
C908	1-126-208-21	ELECT CHIP 47uF	20% 4V	IC901	6-600-466-01	IC TORX147L (SONY)	
			(F500)			(SAT/CABLE DIGITAL IN OPTICAL)	
C909	1-124-779-00	ELECT CHIP 10uF	20% 16V	IC902	8-759-278-58	IC NJM4558V-TE2 (F500)	
			(F500)	IC941	6-600-466-01	IC TORX147L (SONY) (TV DIGITAL IN OPTICAL)	
C910	1-162-923-11	CERAMIC CHIP 47PF	5% 50V			< JACK >	
			(F500)	J903	1-820-390-11	JACK, PIN 2P (F200) (SAT/CABLE DIGITAL IN COAXIAL/DIGITAL OUT COAXIAL)	
C911	1-162-928-11	CERAMIC CHIP 120PF	5% 50V	J904	1-785-448-21	JACK (F500) (ECM-AC2)	
			(F500)	J906	1-821-749-11	JACK, PIN 6P (VIDEO OUT COMPONENT Y/PB/CB/PR/CR/VIDEO OUT VIDEO/TV AUDIO IN L/R)	
C912	1-107-826-11	CERAMIC CHIP 0.1uF	10% 16V				
			(F500)	J907	1-784-431-11	JACK, PIN 1P (F500) (DIGITAL OUT COAXIAL)	
C913	1-128-993-21	ELECT CHIP 22uF	20% 10V			< COIL >	
			(F500)	L201	1-469-525-91	INDUCTOR 10uH	
C914	1-107-826-11	CERAMIC CHIP 0.1uF	10% 16V	L202	1-469-525-91	INDUCTOR 10uH	
			(F500)	L203	1-469-525-91	INDUCTOR 10uH	
C915	1-128-993-21	ELECT CHIP 22uF	20% 10V	L251	1-469-525-91	INDUCTOR 10uH	
			(F500)	L301	1-469-525-91	INDUCTOR 10uH	
C942	1-107-826-11	CERAMIC CHIP 0.1uF	10% 16V			< TRANSISTOR >	
				Q271	8-729-620-07	TRANSISTOR 2SC3052EF-T1-LEF (F200)	
				Q901	8-729-620-07	TRANSISTOR 2SC3052EF-T1-LEF (F500)	
						< RESISTOR >	
CN101	1-568-830-11	CONNECTOR, FFC 11P (F200: AEP, UK/F500: RU)		R101	1-216-809-11	METAL CHIP 100 5% 1/10W	
CN102	1-784-770-11	CONNECTOR, FFC 9P (F200: SP/F500: CND, E3, E15, SP, AUS)		R102	1-216-809-11	METAL CHIP 100 5% 1/10W	
CN103	1-784-376-51	CONNECTOR, FFC/FPC 17P		R103	1-216-809-11	METAL CHIP 100 5% 1/10W	
CN105	1-778-691-51	CONNECTOR, FFC/FPC 19P					
CN106	1-784-374-51	CONNECTOR, FFC/FPC 15P					
* CN107	1-564-712-11	PIN, CONNECTOR (SMALL TYPE) 10P					
CN110	1-784-861-51	CONNECTOR, FFC (LIF (NON-ZIF)) 9P					
* CN702	1-564-710-11	PIN, CONNECTOR (SMALL TYPE) 8P					
* CN708	1-564-711-11	PIN, CONNECTOR (SMALL TYPE) 9P					
			< DIODE >				
D102	6-501-817-01	DIODE MA2J1110GLS0					
D301	8-719-058-24	DIODE RB501V-40TE-17					
D701	6-501-817-01	DIODE MA2J1110GLS0					
D702	6-501-817-01	DIODE MA2J1110GLS0					
D703	6-501-817-01	DIODE MA2J1110GLS0					
D704	6-501-817-01	DIODE MA2J1110GLS0					

Ref. No.	Part No.	Description	Remark	Ref. No.	Part No.	Description	Remark
R104	1-216-833-11	METAL CHIP	10K 5% 1/10W	R169	1-216-809-11	METAL CHIP	100 5% 1/10W
R105	1-216-809-11	METAL CHIP	100 5% 1/10W	R170	1-216-833-11	METAL CHIP	10K 5% 1/10W
R106	1-216-833-11	METAL CHIP	10K 5% 1/10W	R171	1-216-857-11	METAL CHIP	1M 5% 1/10W
R107	1-216-821-11	METAL CHIP	1K 5% 1/10W	R201	1-216-864-11	SHORT CHIP	0
R108	1-216-864-11	SHORT CHIP	0	R202	1-216-864-11	SHORT CHIP	0
R109	1-216-833-11	METAL CHIP	10K 5% 1/10W	R203	1-216-864-11	SHORT CHIP	0
R110	1-216-809-11	METAL CHIP	100 5% 1/10W	R204	1-216-864-11	SHORT CHIP	0
R111	1-216-809-11	METAL CHIP	100 5% 1/10W	R205	1-216-864-11	SHORT CHIP	0
R112	1-216-809-11	METAL CHIP	100 5% 1/10W	R206	1-216-864-11	SHORT CHIP	0
R113	1-216-833-11	METAL CHIP	10K 5% 1/10W	R207	1-216-864-11	SHORT CHIP	0
R114	1-216-809-11	METAL CHIP	100 5% 1/10W	R208	1-216-864-11	SHORT CHIP	0
R115	1-216-829-11	METAL CHIP	4.7K 5% 1/10W	R209	1-216-864-11	SHORT CHIP	0
R116	1-216-829-11	METAL CHIP	4.7K 5% 1/10W	R210	1-216-821-11	METAL CHIP	1K 5% 1/10W
R117	1-216-833-11	METAL CHIP	10K 5% 1/10W	R212	1-216-841-11	METAL CHIP	47K 5% 1/10W
R118	1-216-809-11	METAL CHIP	100 5% 1/10W	R213	1-216-841-11	METAL CHIP	47K 5% 1/10W
R119	1-216-809-11	METAL CHIP	100 5% 1/10W	R214	1-216-841-11	METAL CHIP	47K 5% 1/10W
R120	1-216-809-11	METAL CHIP	100 5% 1/10W	R215	1-216-841-11	METAL CHIP	47K 5% 1/10W
R121	1-216-809-11	METAL CHIP	100 5% 1/10W	R216	1-216-845-11	METAL CHIP	100K 5% 1/10W
R122	1-216-833-11	METAL CHIP	10K 5% 1/10W	R217	1-216-845-11	METAL CHIP	100K 5% 1/10W
R123	1-216-809-11	METAL CHIP	100 5% 1/10W	R218	1-216-841-11	METAL CHIP	47K 5% 1/10W
R125	1-216-809-11	METAL CHIP	100 5% 1/10W	R219	1-216-841-11	METAL CHIP	47K 5% 1/10W
R126	1-216-809-11	METAL CHIP	100 5% 1/10W	R220	1-216-841-11	METAL CHIP	47K 5% 1/10W
R127	1-216-809-11	METAL CHIP	100 5% 1/10W	R221	1-216-841-11	METAL CHIP	47K 5% 1/10W
R128	1-216-809-11	METAL CHIP	100 5% 1/10W	R222	1-218-873-11	METAL CHIP	12K 0.5% 1/10W
R129	1-216-809-11	METAL CHIP	100 5% 1/10W	R223	1-216-864-11	SHORT CHIP	0
R130	1-216-809-11	METAL CHIP	100 5% 1/10W	R224	1-216-864-11	SHORT CHIP	0
R131	1-216-809-11	METAL CHIP	100 5% 1/10W	R251	1-218-285-11	METAL CHIP	75 5% 1/10W
R132	1-216-809-11	METAL CHIP	100 5% 1/10W	R252	1-218-285-11	METAL CHIP	75 5% 1/10W
R133	1-216-809-11	METAL CHIP	100 5% 1/10W	R253	1-218-285-11	METAL CHIP	75 5% 1/10W
R134	1-216-833-11	METAL CHIP	10K 5% 1/10W	R254	1-218-285-11	METAL CHIP	75 5% 1/10W
R135	1-216-845-11	METAL CHIP	100K 5% 1/10W	R274	1-216-821-11	METAL CHIP	1K 5% 1/10W (F200)
R136	1-216-809-11	METAL CHIP	100 5% 1/10W	R275	1-216-821-11	METAL CHIP	1K 5% 1/10W (F200)
R137	1-216-809-11	METAL CHIP	100 5% 1/10W	R276	1-216-813-11	METAL CHIP	220 5% 1/10W (F200)
R138	1-216-809-11	METAL CHIP	100 5% 1/10W	R278	1-216-807-11	METAL CHIP	68 5% 1/10W (F200)
R139	1-216-809-11	METAL CHIP	100 5% 1/10W	R279	1-216-864-11	SHORT CHIP	0 (F200)
R140	1-216-809-11	METAL CHIP	100 5% 1/10W	R280	1-216-864-11	SHORT CHIP	0 (F200)
R141	1-216-833-11	METAL CHIP	10K 5% 1/10W	R281	1-216-833-11	METAL CHIP	10K 5% 1/10W (F200)
R142	1-216-809-11	METAL CHIP	100 5% 1/10W (F200: AEP, UK/F500: RU)	R282	1-216-821-11	METAL CHIP	1K 5% 1/10W (F200)
R143	1-216-809-11	METAL CHIP	100 5% 1/10W	R301	1-218-285-11	METAL CHIP	75 5% 1/10W
R145	1-216-809-11	METAL CHIP	100 5% 1/10W	R302	1-216-864-11	SHORT CHIP	0
R146	1-216-809-11	METAL CHIP	100 5% 1/10W	R303	1-216-864-11	SHORT CHIP	0
R147	1-216-809-11	METAL CHIP	100 5% 1/10W	R304	1-216-864-11	SHORT CHIP	0
R148	1-216-809-11	METAL CHIP	100 5% 1/10W	R305	1-216-864-11	SHORT CHIP	0
R149	1-216-833-11	METAL CHIP	10K 5% 1/10W	R306	1-216-864-11	SHORT CHIP	0
R150	1-216-809-11	METAL CHIP	100 5% 1/10W	R307	1-216-864-11	SHORT CHIP	0
R151	1-216-809-11	METAL CHIP	100 5% 1/10W	R320	1-216-864-11	SHORT CHIP	0
R152	1-216-809-11	METAL CHIP	100 5% 1/10W	R321	1-216-864-11	SHORT CHIP	0
R153	1-216-809-11	METAL CHIP	100 5% 1/10W	R322	1-216-864-11	SHORT CHIP	0
R157	1-216-809-11	METAL CHIP	100 5% 1/10W	R323	1-216-864-11	SHORT CHIP	0
R158	1-216-864-11	SHORT CHIP	0 (F200: SP/F500: CND, E3, E15, SP, AUS)	R324	1-216-864-11	SHORT CHIP	0
R159	1-216-864-11	SHORT CHIP	0 (F200: SP/F500: CND, E3, E15, SP, AUS)	R325	1-216-864-11	SHORT CHIP	0
R160	1-216-833-11	METAL CHIP	10K 5% 1/10W	R326	1-216-864-11	SHORT CHIP	0
R161	1-216-809-11	METAL CHIP	100 5% 1/10W	R327	1-216-864-11	SHORT CHIP	0
R163	1-216-833-11	METAL CHIP	10K 5% 1/10W	R328	1-216-864-11	SHORT CHIP	0
R165	1-216-833-11	METAL CHIP	10K 5% 1/10W	R391	1-216-864-11	SHORT CHIP	0 (F200: SP)
R167	1-216-833-11	METAL CHIP	10K 5% 1/10W				
R168	1-216-809-11	METAL CHIP	100 5% 1/10W (F200: AEP, UK/F500: RU)				

HCD-F200/F500

MAIN **MS-214** **USB**

Ref. No.	Part No.	Description	Remark
R392	1-216-864-11	SHORT CHIP	0 (F200: AEP, UK)
R393	1-216-864-11	SHORT CHIP	0
			(F500: CND, E3, E15, SP, AUS)
R394	1-216-864-11	SHORT CHIP	0 (F500: RU)
R701	1-218-858-11	METAL CHIP	3K 0.5% 1/10W
R702	1-218-871-11	METAL CHIP	10K 0.5% 1/10W
R703	1-216-809-11	METAL CHIP	100 5% 1/10W
R704	1-218-847-11	METAL CHIP	1K 0.5% 1/10W
R705	1-218-871-11	METAL CHIP	10K 0.5% 1/10W
R706	1-216-809-11	METAL CHIP	100 5% 1/10W
R707	1-218-847-11	METAL CHIP	1K 0.5% 1/10W
R708	1-218-871-11	METAL CHIP	10K 0.5% 1/10W
R709	1-216-809-11	METAL CHIP	100 5% 1/10W
R710	1-218-855-11	METAL CHIP	2.2K 0.5% 1/10W
R711	1-218-871-11	METAL CHIP	10K 0.5% 1/10W
R712	1-216-809-11	METAL CHIP	100 5% 1/10W
R713	1-216-809-11	METAL CHIP	100 5% 1/10W
R714	1-218-873-11	METAL CHIP	12K 0.5% 1/10W
R715	1-218-891-11	METAL CHIP	68K 0.5% 1/10W
R716	1-218-871-11	METAL CHIP	10K 0.5% 1/10W
R717	1-245-287-91	METAL CHIP	0.1 1% 1W
R718	1-216-815-11	METAL CHIP	330 5% 1/10W
R719	1-216-839-11	METAL CHIP	33K 5% 1/10W
R720	1-216-839-11	METAL CHIP	33K 5% 1/10W
R721	1-218-885-11	METAL CHIP	39K 0.5% 1/10W
R722	1-218-879-11	METAL CHIP	22K 0.5% 1/10W
R723	1-218-885-11	METAL CHIP	39K 0.5% 1/10W
R724	1-218-885-11	METAL CHIP	39K 0.5% 1/10W
R725	1-216-809-11	METAL CHIP	100 5% 1/10W
R731	1-218-859-11	METAL CHIP	3.3K 0.5% 1/10W
R732	1-218-871-11	METAL CHIP	10K 0.5% 1/10W
R733	1-216-809-11	METAL CHIP	100 5% 1/10W
R734	1-218-885-11	METAL CHIP	39K 0.5% 1/10W
R901	1-216-864-11	SHORT CHIP	0
R902	1-216-821-11	METAL CHIP	1K 5% 1/10W
R903	1-216-821-11	METAL CHIP	1K 5% 1/10W
R904	1-218-285-11	METAL CHIP	75 5% 1/10W
R906	1-216-864-11	SHORT CHIP	0
R907	1-216-825-11	METAL CHIP	2.2K 5% 1/10W
			(F500)
R908	1-216-845-11	METAL CHIP	100K 5% 1/10W
R909	1-216-845-11	METAL CHIP	100K 5% 1/10W
R910	1-216-845-11	METAL CHIP	100K 5% 1/10W
			(F500)
R911	1-216-817-11	METAL CHIP	470 5% 1/10W
			(F500)
R912	1-216-824-11	METAL CHIP	1.8K 5% 1/10W
			(F500)
R913	1-216-821-11	METAL CHIP	1K 5% 1/10W
			(F500)
R914	1-216-837-11	METAL CHIP	22K 5% 1/10W
			(F500)
R915	1-216-817-11	METAL CHIP	470 5% 1/10W
			(F500)
R916	1-216-838-11	METAL CHIP	27K 5% 1/10W
			(F500)
R917	1-216-809-11	METAL CHIP	100 5% 1/10W
			(F500)
R918	1-216-829-11	METAL CHIP	4.7K 5% 1/10W
			(F500)
R919	1-216-829-11	METAL CHIP	4.7K 5% 1/10W
			(F500)

Ref. No.	Part No.	Description	Remark
R920	1-216-845-11	METAL CHIP	100K 5% 1/10W
R921	1-216-845-11	METAL CHIP	100K 5% 1/10W
R922	1-216-845-11	METAL CHIP	100K 5% 1/10W
R923	1-216-845-11	METAL CHIP	100K 5% 1/10W
R941	1-216-864-11	SHORT CHIP	0
R946	1-216-864-11	SHORT CHIP	0
			< VIBRATOR >
X101	1-813-562-21	VIBRATOR, CERAMIC (10MHz)	
X201	1-781-465-21	VIBRATOR, CRYSTAL (12.288MHz)	

			MS-214 BOARD

			< CONNECTOR >
CN001	1-815-569-11	CONNECTOR, FFC/FPC 7P	
			< SWITCH >
S001	1-762-951-13	SWITCH, PUSH (DISC IN/OUT)	
S002	1-762-951-13	SWITCH, PUSH (CHUCKING)	
S003	1-762-951-13	SWITCH, PUSH (TRIGGER)	

			USB BOARD

			< CAPACITOR >
C502	1-107-826-11	CERAMIC CHIP	0.1uF 10% 16V
			< CONNECTOR >
CN501	1-794-548-21	CONNECTOR, USB (A) (USB)	
CN502	1-564-721-11	PIN, CONNECTOR (SMALL TYPE) 5P	

			MISCELLANEOUS

52	1-828-295-11	WIRE (FLAT TYPE) (17 CORE)	
53	1-828-002-11	WIRE (FLAT TYPE) (7 CORE)	
102	1-828-954-11	WIRE (FLAT TYPE) (9 CORE)	
			(F200: SP/F500: CND, E3, E51, SP, AUS)
102	1-828-964-11	WIRE (FLAT TYPE) (11 CORE)	
			(F200: AEP, UK/F500: RU)
103	1-693-768-11	TUNER (FM) (F200: AEP, UK/F500: RU)	
103	1-693-769-11	TUNER (FM) (F200: SP/F500: E3, E51, SP, AUS)	
103	1-693-770-11	TUNER (FM) (F500: CND)	
151	1-828-298-11	WIRE (FLAT TYPE) (7 CORE)	
152	1-828-341-11	WIRE (FLAT TYPE) (15 CORE)	
153	1-828-360-11	WIRE (FLAT TYPE) (19 CORE)	
155	1-828-347-11	WIRE (FLAT TYPE) (17 CORE)	
156	1-833-994-21	CABLE, SYSTEM	
159	1-828-253-51	WIRE (FLAT TYPE) (24 CORE)	
256	A-1114-646-A	MD (AU) ASSY	
△ 257	8-820-322-04	OPTICAL PICK-UP BLOCK (KHM-313CAB/C2RP)	
			(Including sled motor, spindle motor)
M001	X-4955-496-1	MOTOR (PULLEY) ASSY (LOADING)	

Note: If wire (flat type) is replaced, install it after bending it in the same form as that before replacement.