

PARTS LIST

SAFETY PRECAUTION

Parts identified by the \triangle symbol are critical for safety. Replace only with specified part numbers.

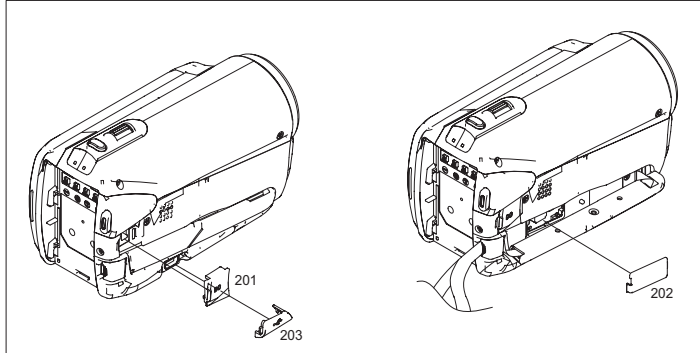
BEWARE OF BOGUS PARTS

Parts that do not meet specifications may cause trouble in regard to safety and performance. We recommend that genuine JVC parts be used.

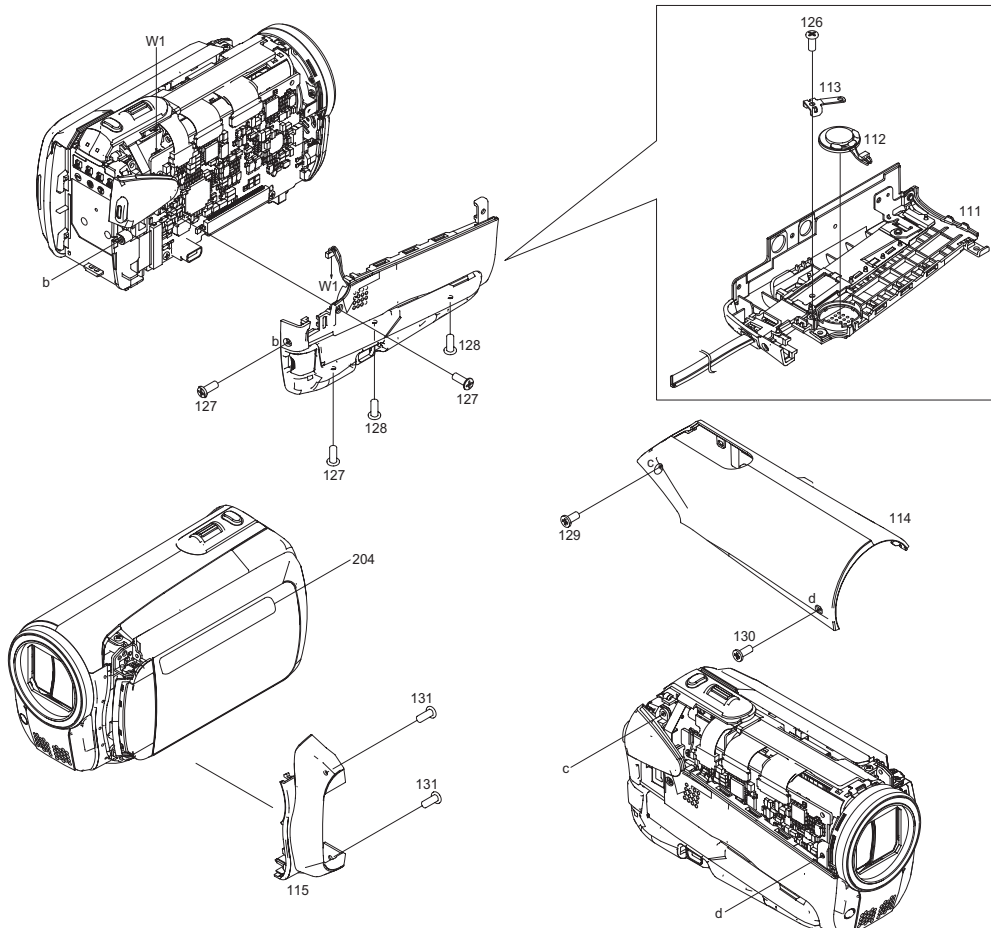
1. EXPLODED VIEW

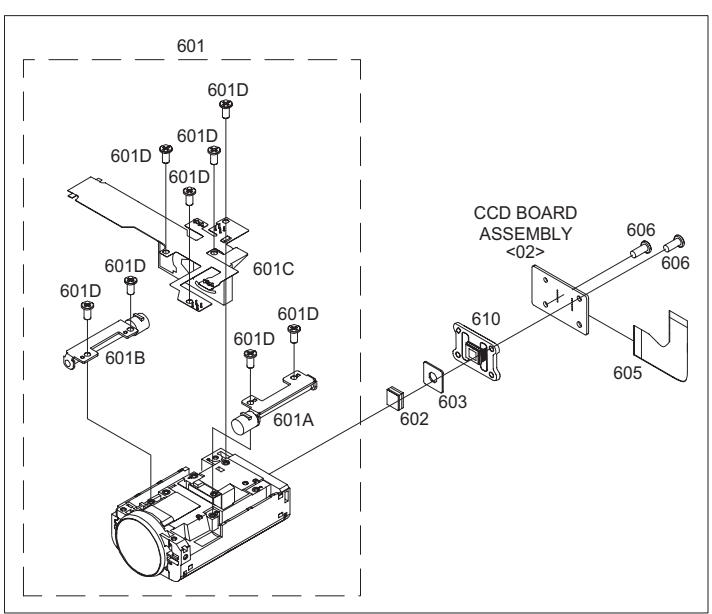
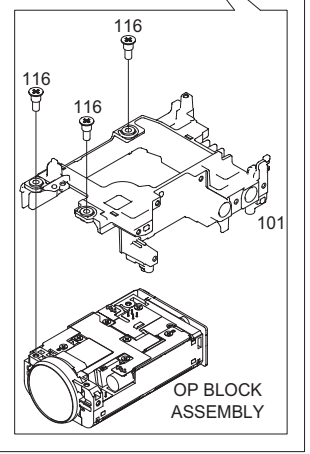
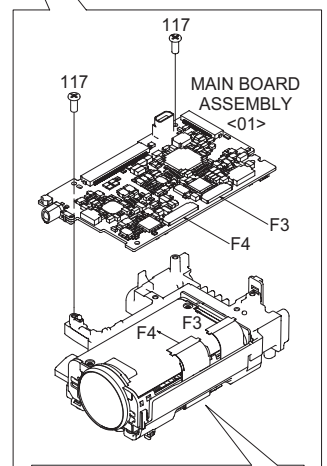
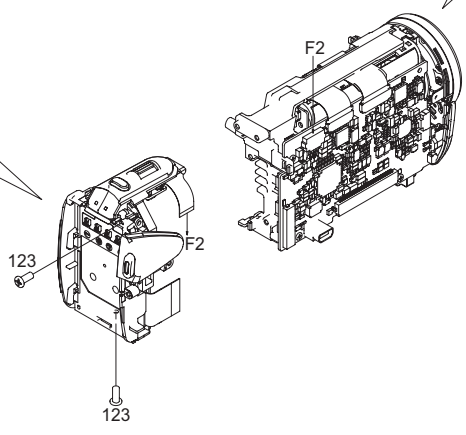
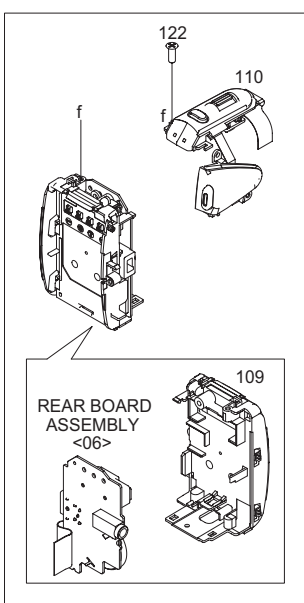
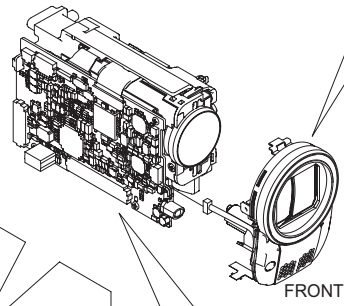
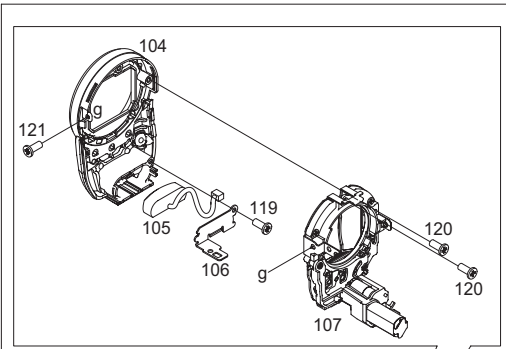
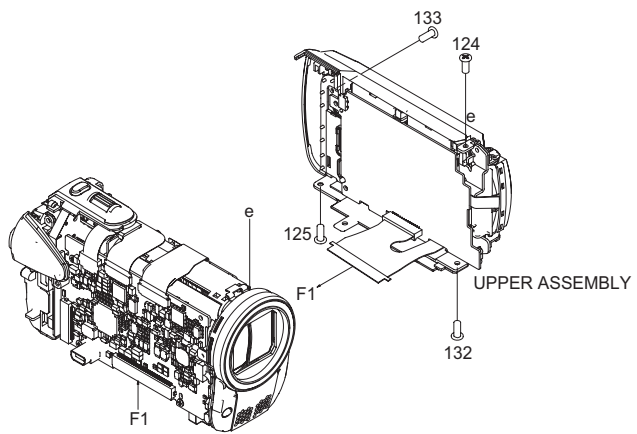
1.1 FINAL ASSEMBLY <M1>

The instruction manual to be provided with this product will differ according to the destination.

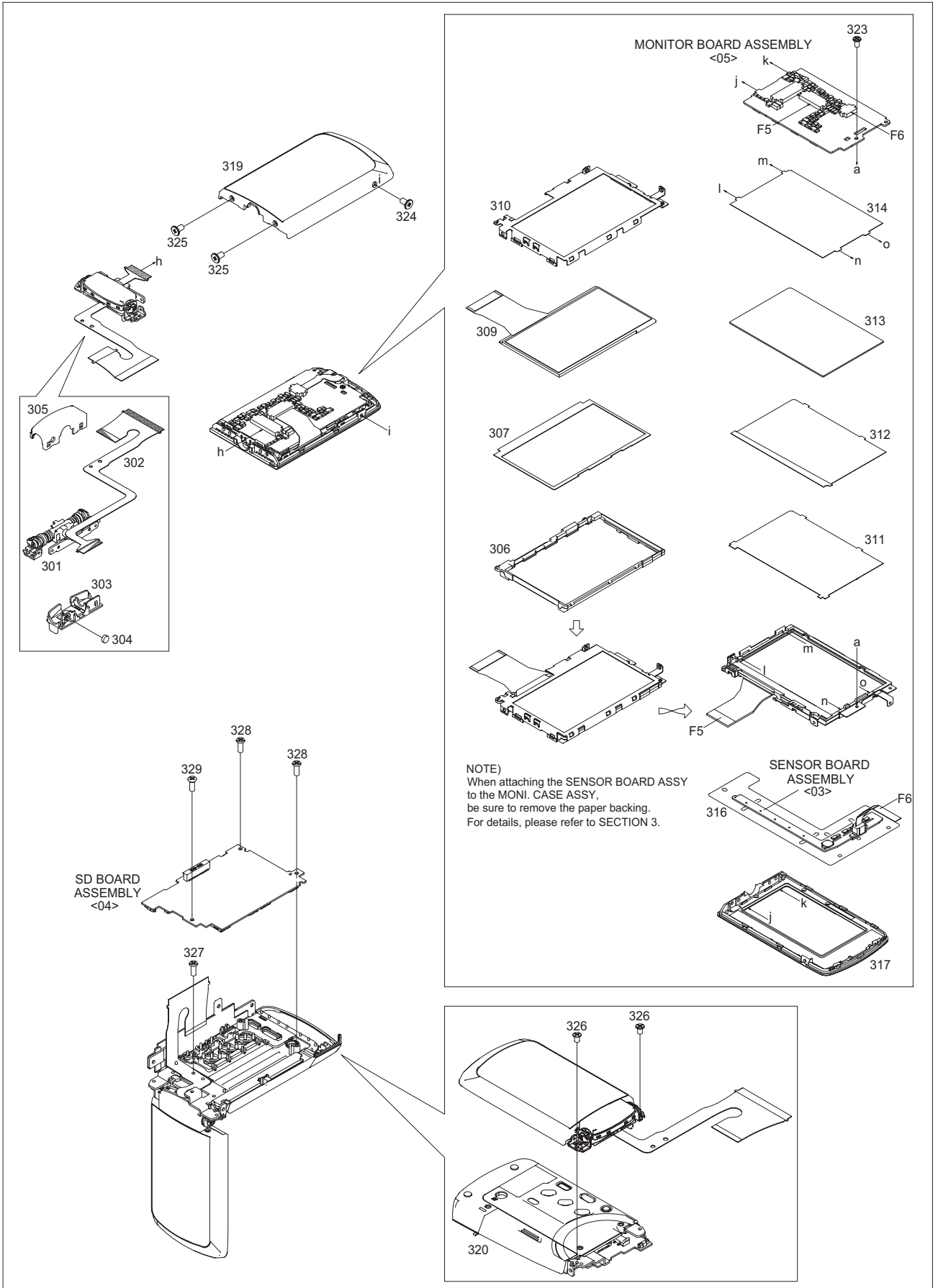


MODEL	MARK
GZ-MS120AEK	A
GZ-MS120AER	B
GZ-MS120AEU	C
GZ-MS120AEZ	D
GZ-MS120BEK	E
GZ-MS120BER	F
GZ-MS120BEU	G
GZ-MS120BEZ	H
GZ-MS120PEK	J
GZ-MS120PEU	K
GZ-MS120SEK	L
GZ-MS120SER	M
GZ-MS120SEU	N
GZ-MS120SEZ	P

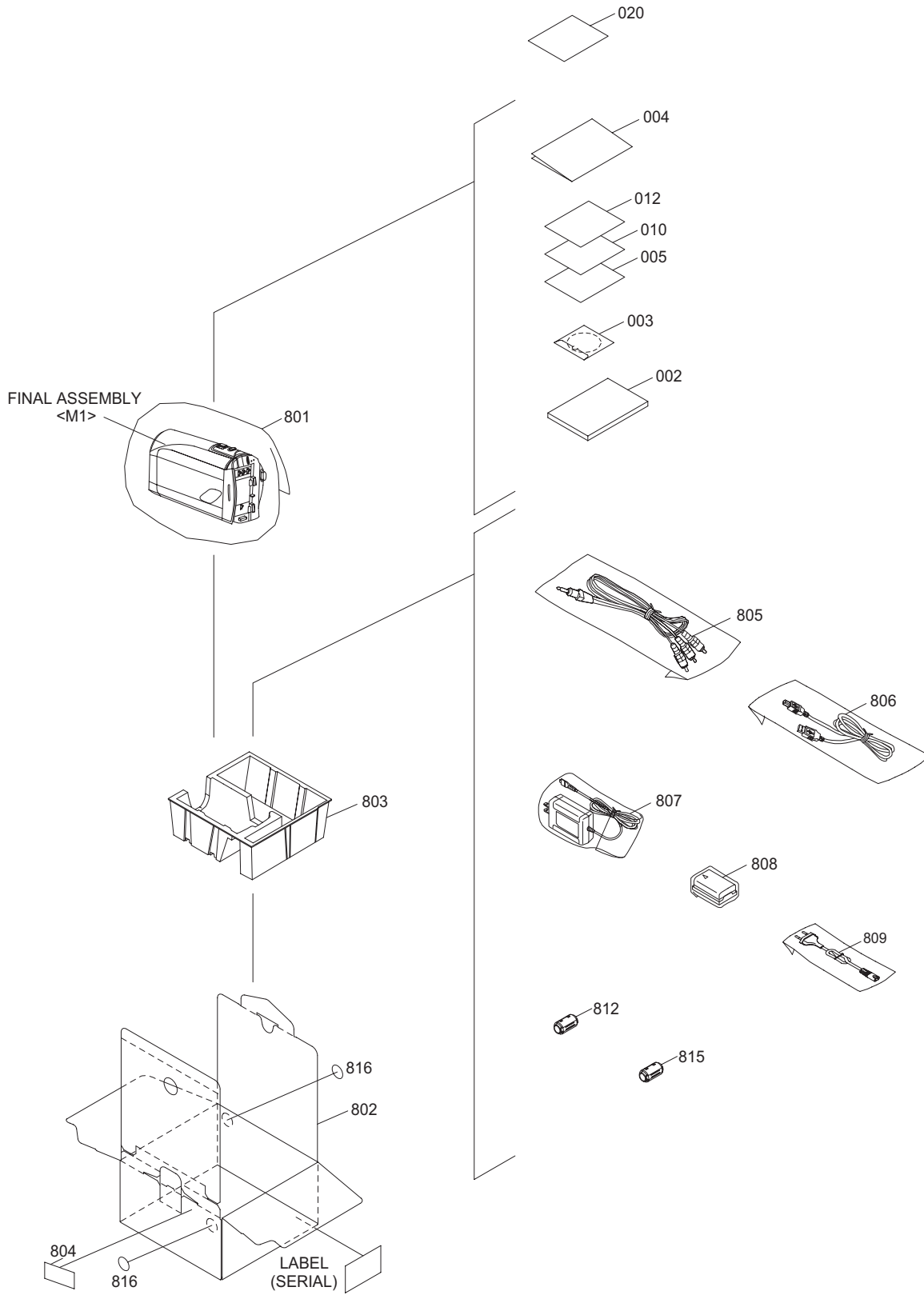




UPPER ASSEMBLY



1.2 PACKING AND ACCESSORY ASSEMBLY <M5>



MODEL	MARK	MODEL	MARK	MODEL	MARK	MODEL	MARK	MODEL	MARK
GZ-MS120AEK	A	GZ-MS120AEZ	D	GZ-MS120BEU	G	GZ-MS120PEU	K	GZ-MS120SEU	N
GZ-MS120AER	B	GZ-MS120BEK	E	GZ-MS120BEZ	H	GZ-MS120SEK	L	GZ-MS120SEZ	P
GZ-MS120AEU	C	GZ-MS120BER	F	GZ-MS120PEK	J	GZ-MS120SER	M		

2. PARTS LIST

FINAL ASSEMBLY <M1>

△ Symbol No.	Part No.	Part Name	Description	Local
101	LY36705-001D	FRAME ASSY		
104	LY36707-001C	F.COVER ASSY		
105	LY36687-001A	MIC		
106	LY36694-001A	PLATE(MIC)		
107	LY21958-001R	BARRIER UNIT		
109	LY36706-001D	REAR COVER ASSY	ABCEFGHJK	
109	LY36706-002D	REAR COVER ASSY	L,M,N,P	
110	LY21989-003C	ZOOM UNIT	A,B,C,D	
110	LY21989-001C	ZOOM UNIT	E,F,G,H	
110	LY21989-005A	ZOOM UNIT	J,K	
110	LY21989-002C	ZOOM UNIT	L,M,N,P	
111	LY36708-004H	LOWER CASE ASSY	A,B,C,D	
111	LY36708-001H	LOWER CASE ASSY	E,F,G,H	
111	LY36708-007G	LOWER CASE ASSY	J,K	
111	LY36708-002H	LOWER CASE ASSY	L,M,N,P	
112	QAS0543-001	SPEAKER		
113	LY36695-001A	BKT(SPEAKER)		
114	LY21985-006E	TOP COVER	A,B,C,D	
114	LY21985-004E	TOP COVER	E,F,G,H	
114	LY21985-010C	TOP COVER	J,K	
114	LY21985-003E	TOP COVER	L,M,N,P	
115	LY36709-003C	U.ORNMT(F) ASSY	A,B,C,D	
115	LY36709-001C	U.ORNMT(F) ASSY	E,F,G,H	
115	LY36709-008B	U.ORNMT(F) ASSY	J,K	
115	LY36709-002C	U.ORNMT(F) ASSY	L,M,N,P	
116	LY30032-021A	SPECIAL SCREW	OP-FRM(x3)	
117	LY30031-0D5A	SPECIAL SCREW	MPWB-FRM(x2)	
119	LY30031-0L8B	SPECIAL SCREW	PMIC-FRONT	
120	LY30031-0L8B	SPECIAL SCREW	BRR-HDCSW(x2)	
121	LY30031-0D4A	SPECIAL SCREW	CMIC-BRR	
122	LY30031-0L8B	SPECIAL SCREW	ZOOM-REAR	
123	LY30031-0D5A	SPECIAL SCREW	REAR-FRM(x2)	
124	LY30031-0D4A	SPECIAL SCREW	BHINGE-FRM	
125	LY30031-0L8B	SPECIAL SCREW	UPPER-REAR	
126	LY30031-0L8B	SPECIAL SCREW	BSPK-LCASE	
127	LY30031-0L8B	SPECIAL SCREW	LCASE-REAR(x3)	
128	LY30031-0D5A	SPECIAL SCREW	LCASE-FRM(x2)	
129	LY30031-008A	SPECIAL SCREW	TOP-REAR	
130	LY30031-0D5A	SPECIAL SCREW	TOP-BARRBS	
131	LY30031-0D4A	SPECIAL SCREW	UOFA-HINGE(x2)	
132	LY30031-0D5A	SPECIAL SCREW	UOFA-FRM	
133	LY30031-0D5A	SPECIAL SCREW	UORA-FRM	
201	LY36720-003C	JACK COVER(DC) ASSY	A,B,C,D	
201	LY36720-001C	JACK COVER(DC) ASSY	E,F,G,H	
201	LY36720-006B	JACK COVER(DC) ASSY	J,K	
201	LY36720-002C	JACK COVER(DC) ASSY	L,M,N,P	
△ 202	LY36681-001B	COVER (JIG)	ABCEFGHJK	
△ 202	LY36681-002B	COVER (JIG)	L,M,N,P	
203	LY36679-001B	JACK COVER(USB)	ABCEFGHJK	
203	LY36679-002B	JACK COVER(USB)	L,M,N,P	
204	LY45782-004A	STICKER (A)	A,B,C,D	
204	LY45782-001A	STICKER (A)	E,F,G,H	
204	LY45782-005A	STICKER (A)	J,K	
204	LY45782-002A	STICKER (A)	L,M,N,P	
301	LY36640-001C	HINGE UNIT		
302	QAL1156-001	FPC		
303	LY36685-001B	H.COVER(L)		
304	LY45427-001A	P.C.MAGNET		
305	LY36684-003A	H.COVER(U)	A,B,C,D	
305	LY36684-001A	H.COVER(U)	E,F,G,H	
305	LY36684-005A	H.COVER(U)	J,K	
305	LY36684-002A	H.COVER(U)	L,M,N,P	
306	LY21980-001A	LCD CASE		
307	LY36124-001A	SHEET (COVER)		
309	QLD0538-001	LCD MODULE		
310	LY37033-001B	LCD BKT ASSY		
311	LY36703-001A	SHEET (BEF)		
312	LY35480-001A	SHEET(M/DIFF)		
313	LY36668-001A	LIGHT GUIDE		
314	LY35481-001A	SHEET(M.REF)		
316	LY36638-001B	D FACE TAPE		
317	LY36712-001B	MONI.CASE ASSY		
319	LY36711-004C	MONI.COVER ASSY	A,B,C,D	
319	LY36711-001C	MONI.COVER ASSY	E,F,G,H	

△ Symbol No.	Part No.	Part Name	Description	Local
319	LY36711-010C	MONI.COVER ASSY		J,K
319	LY36711-003C	MONI.COVER ASSY		L,M,N,P
320	LY36710-005H	U.CASE ASSY		A,B,C,D
320	LY36710-001H	U.CASE ASSY		E,F,G,H
320	LY36710-016E	U.CASE ASSY		J,K
320	LY36710-002H	U.CASE ASSY		L,M,N,P
323	LY30031-0D4A	SPECIAL SCREW	MONP-LCDBK	
324	LY30031-0D4A	SPECIAL SCREW	MCOV-MCASE	
325	LY30031-0D4A	SPECIAL SCREW	MCOV-HINGE(x2)	
326	LY30031-081A	SPECIAL SCREW	HING-BKTHG(x2)	
327	LY30031-0H5A	SPECIAL SCREW	MONI FPC	
328	LY30031-0L8B	SPECIAL SCREW	SPWB-UPPER(x2)	
329	LY30031-0H5A	SPECIAL SCREW	SPWB-BHING	
601	LY36126-001C	OP BLOCK ASSY		
601A	PTY36126-101	MOTOR UNIT	FOCUS	
601B	PTY36126-101	MOTOR UNIT	ZOOM	
601C	PTY36126-106	AUTO IRIS UNIT		
601D	PTY36126-530	SCREW	(x8)	
602	LY45275-001A	OPTICAL LPF		
603	LY45175-001A	SHEET		
605	QAL1168-001	FPC	CCD FPC	
606	LY30031-0J7A	SPECIAL SCREW	(x2)	
610	LY45541-002A	CCD BASE ASSY		

PACKING AND ACCESSORY ASSEMBLY <M5>

△ Symbol No.	Part No.	Part Name	Description	Local
△ 002	LYT2008-001A-M	INST BOOK	(ENGLISH)	A,E,J,L
△ 002	LYT2007-001A-M	INST BOOK	(RUSSIAN/UKRAINIAN)	B,F,M
△ 002	LYT2008-002B-M	INST BOOK	(GERMAN/DUTCH)	C,G,K,N
△ 002	LYT2008-003A-M	INST BOOK	(FRENCH/ITALIAN)	C,G,K,N
△ 002	LYT2008-004A-M	INST BOOK	(SPANISH/PORTUGUESE)	C,G,K,N
△ 002	LYT2008-005A-M	INST BOOK	(DANISH/FINNISH)	D,H,P
△ 002	LYT2008-006B-M	INST BOOK	(SWEDISH/NORWEGIAN)	D,H,P
△ 002	LYT2008-007A-M	INST BOOK	(CZECH/HUNGARIAN)	D,H,P
△ 002	LYT2008-008A-M	INST BOOK	(POLISH)	D,H,P
003	LY35273-051A-S	CD ROM ASSY		
004	LY36738-002A	SHEET ACC.GUIDE		
005	LY35208-001A	SHEET(E-SHOP)		A,E,J,L
010	YU30878	REGISTRATION CARD		A,E,J,L
012	LYT0194-001B	Q.CARD		A,E,J,L
020	-----	WARRANTY CARD	BT-54039-1	
801	LY30023-054A	POLY BAG		
802	LY36739-004A	PACKING CASE		ABCEFGHLMNP
802	LY36739-009A	PACKING CASE		J,K
803	LY21961-001D	CUSHION		
804	-----	LABEL		
805	QAM0510-001	AV CABLE		
806	QAM0571-001	USB CABLE		
△ 807	QAL1153-002	AC ADAPTOR	AP-V20M	A,E,J,L
△ 807	QAL1152-002	AC ADAPTOR	AP-V20E	BCDFGKLMNP
△ 808	LY35320-002D	BATTERY PACK	BN-VF808U	
△ 809	QMPP340-190-JC	POWER CORD	1.9m BLACK	A,E,J,L
812	QQR0491-004	CORE FILTER		
815	QQR0491-004	CORE FILTER	AC P ADAPT	
816	LY36917-002B	LABEL(COLOR)	(x2)	A,B,C,D
816	LY36917-004A	LABEL(COLOR)	(x2)	E,F,G,H
816	LY36917-001A	LABEL(COLOR)	(x2)	L,M,N,P

MAIN BOARD ASSEMBLY <01>

△ Symbol No.	Part No.	Part Name	Description	Local
PW1	LYA10155-02C	MAIN BOARD ASSY		
IC1001	MN103SFD0RGA	IC(MICRO C ROM)		
IC1001	or MN103SD0QGA	IC(MICRO C ROM)		
IC1004	NJU7108F3-X	IC		
IC1005	LE25LB643TT-X	IC		
IC1006	S-35190A-G-X	IC		

MODEL	MARK	MODEL	MARK	MODEL	MARK	MODEL	MARK	MODEL	MARK
GZ-MS120AEK	A	GZ-MS120AEZ	E	GZ-MS120BEU	G	GZ-MS120PEU	K	GZ-MS120SEU	N
GZ-MS120AER	B	GZ-MS120BEK	D	GZ-MS120BEZ	H	GZ-MS120SEK	L	GZ-MS120SEZ	P
GZ-MS120AEU	C	GZ-MS120BER	F	GZ-MS120PEK	J	GZ-MS120SER	M		

△ Symbol No.	Part No.	Part Name	Description	Local	△ Symbol No.	Part No.	Part Name	Description	Local
IC1007	IC-PST8223U-W	IC			Q6510	or 2SA1989/RS/-X	TRANSISTOR		
IC1007	or S-80823CENN-B-G-W	IC			Q6701	KMB3D0P30SA-X	MOS FET		
IC1009	R5G05001N302N-X	IC(MICRO C ROM)			Q6702	KMB3D0P30SA-X	MOS FET		
IC1009	or YCBCJVSNS8031-X	IC(MICRO C ROM)			Q6703	KMB3D0P30SA-X	MOS FET		
IC2201	AK4669EN-W	IC			Q6901	2SC4617/RS/-X	TRANSISTOR		
IC3001	JCY0243	IC			Q6901	or 2SC5383/F/-X	TRANSISTOR		
IC3002	H5MS5122DFRJ3M	IC			Q6901	or 2SD2216J/RS/-X	TRANSISTOR		
IC3002	or H5MS5122DFRJ3MN	IC			Q7802	UMX1N-W	PAIR TRANSISTOR		
IC3003	SG64N90BF103028	IC(MICRO C ROM)			Q7802	or KTC801U/G/-X	PAIR TRANSISTOR		
IC3003	or SG64N90BF103029	IC(MICRO C ROM)			Q7802	or RT3CLLM/EF/-X	TRANSISTOR		
IC3003	or SG64N90BF10302A	IC(MICRO C ROM)			Q7802	or XP4501-W	TRANSISTOR		
IC3003	or SG64N90BF103000	IC(MICRO C ROM)			Q7802	or PUMX1-W	PAIR TRANSISTOR		
IC3005	S-1112B33MC-W	IC			Q7803	UMX1N-W	PAIR TRANSISTOR		
IC3007	TPS2051BDBV-X	IC			Q7803	or KTC801U/G/-X	PAIR TRANSISTOR		
IC3702	NJW1357RB1-X	IC			Q7803	or RT3CLLM/EF/-X	TRANSISTOR		
IC3731	MM1510XN-X	IC			Q7803	or XP4501-W	TRANSISTOR		
IC4201	R2J45026BG-X	IC			Q7803	or PUMX1-W	PAIR TRANSISTOR		
IC4701	LV8075LP-W	IC			Q7804	UMX1N-W	PAIR TRANSISTOR		
IC4901	AN41904A-X	IC			Q7804	or KTC801U/G/-X	PAIR TRANSISTOR		
IC4904	NJM2143R-X	IC			Q7804	or RT3CLLM/EF/-X	TRANSISTOR		
IC6001	FA7736AF	IC			Q7804	or XP4501-W	TRANSISTOR		
IC6004	S-1112B28MC-W	IC			Q7804	or PUMX1-W	PAIR TRANSISTOR		
Q421	PUMX1-W	PAIR TRANSISTOR			D421	NSPW300DS/C0VW/	LED		
Q1002	DTC143XE-X	DIGI TRANSISTOR			D4201	1SS355-X	SI DIODE		
Q1002	or UN921FJ-X	DIGI TRANSISTOR			D4201	or MA111-X	SI DIODE		
Q1002	or RT1N432U-X	DIGI TRANSISTOR			D4201	or 1SS352-X	SI DIODE		
Q1002	or SRC1219EF-X	DIGI TRANSISTOR			D4201	or SDS511-X	SI DIODE		
Q1002	or KRC419E-X	DIGI TRANSISTOR			D4201	or 1SS355W-X	DIODE		
Q1003	DTC143XE-X	DIGI TRANSISTOR			D6101	KDR412-X	SB DIODE		
Q1003	or UN921FJ-X	DIGI TRANSISTOR			D6101	or RB551V-30-X	SB DIODE		
Q1003	or RT1N432U-X	DIGI TRANSISTOR			D6301	MA22D23-X	SB DIODE		
Q1003	or SRC1219EF-X	DIGI TRANSISTOR			D6401	KDR412-X	SB DIODE		
Q1003	or KRC419E-X	DIGI TRANSISTOR			D6401	or RB551V-30-X	SB DIODE		
Q2401	2SC4617/RS/-X	TRANSISTOR			D6501	1SS355-X	SI DIODE		
Q2401	or 2SC5383/F/-X	TRANSISTOR			D6501	or MA111-X	SI DIODE		
Q2401	or 2SD2216J/RS/-X	TRANSISTOR			D6501	or 1SS352-X	SI DIODE		
Q2402	2SC4617/RS/-X	TRANSISTOR			D6501	or SDS511-X	SI DIODE		
Q2402	or 2SC5383/F/-X	TRANSISTOR			D6501	or 1SS355W-X	DIODE		
Q2402	or 2SD2216J/RS/-X	TRANSISTOR			D6502	1SS355-X	SI DIODE		
Q2701	UMX18N-W	PAIR TRANSISTOR			D6502	or MA111-X	SI DIODE		
Q2702	DTA143ZE-X	DIGI TRANSISTOR			D6502	or 1SS352-X	SI DIODE		
Q2702	or RT1P436U-X	DIGI TRANSISTOR			D6502	or SDS511-X	SI DIODE		
Q3001	XP4312-W	DIGI TRANSISTOR			D6502	or 1SS355W-X	DIODE		
Q3003	SSM3K16FV-X	MOS FET			D6503	1SS355-X	SI DIODE		
Q3004	DTA144EE-X	DIGI TRANSISTOR			D6503	or MA111-X	SI DIODE		
Q3004	or UN9113J-X	DIGI TRANSISTOR			D6503	or 1SS352-X	SI DIODE		
Q3004	or KRA304E-X	DIGI TRANSISTOR			D6503	or SDS511-X	SI DIODE		
Q3004	or PDTA144EE-X	DIGI TRANSISTOR			D6503	or 1SS355W-X	DIODE		
Q3735	2SA1774/RS/-X	TRANSISTOR			D6504	1SS355-X	SI DIODE		
Q3735	or 2SB1462J/RS/-X	TRANSISTOR			D6504	or MA111-X	SI DIODE		
Q3735	or 2SA1989/RS/-X	TRANSISTOR			D6504	or 1SS352-X	SI DIODE		
Q3736	UMZ1N-W	PAIR TRANSISTOR			D6504	or SDS511-X	SI DIODE		
Q3736	or PUMZ1-W	PAIR TRANSISTOR			D6504	or 1SS355W-X	DIODE		
Q3736	or XP4601-W	TRANSISTOR			D6506	UDZW9.1B-X	Z DIODE		
Q3737	UMX1N-W	PAIR TRANSISTOR			D6506	or MA8091/M/-X	Z DIODE		
Q3737	or RT3CLLM/EF/-X	TRANSISTOR			D6507	UDZW8.2B-X	Z DIODE		
Q3737	or XP4501-W	TRANSISTOR			D6507	or MA8082/M/-X	Z DIODE		
Q3737	or PUMX1-W	PAIR TRANSISTOR			D6701	MA22D23-X	SB DIODE		
Q3737	or KTC801U/G/-X	PAIR TRANSISTOR			D6702	MA22D23-X	SB DIODE		
Q3738	UMZ1N-W	PAIR TRANSISTOR			D6901	KDR412-X	SB DIODE		
Q3738	or PUMZ1-W	PAIR TRANSISTOR			D6901	or RB551V-30-X	SB DIODE		
Q3738	or XP4601-W	TRANSISTOR							
Q3739	DTC144EE-X	DIGI TRANSISTOR			C1013	NCB30JK-105X	C CAPACITOR	1uF 6.3V K	
Q3739	or RT1N441U-X	DIGI TRANSISTOR			C1015	NCBA1AK-104W	C CAPACITOR	0.1uF 10V K	
Q3739	or KRC404E-P-X	DIGI TRANSISTOR			C1016	NCB30JK-105X	C CAPACITOR	1uF 6.3V K	
Q3739	or UN9213J-X	DIGI TRANSISTOR			C1030	NCBA1AK-104W	C CAPACITOR	0.1uF 10V K	
Q3739	or PDTA144EE-X	DIGI TRANSISTOR			C1031	NCBA1CK-103W	C CAPACITOR	0.01uF 16V K	
Q3740	2SA1774/RS/-X	TRANSISTOR			C1032	NCBA1AK-104W	C CAPACITOR	0.1uF 10V K	
Q3740	or 2SB1462J/RS/-X	TRANSISTOR			C1033	NCBA1AK-104W	C CAPACITOR	0.1uF 10V K	
Q3740	or 2SA1989/RS/-X	TRANSISTOR			C1035	NCBA1AK-104W	C CAPACITOR	0.1uF 10V K	
Q4901	RPM-012PBT97-X	PHOTO TRANSISTOR			C1036	NCBA1AK-104W	C CAPACITOR	0.1uF 10V K	
Q6001	SP8J5-X	MOS FET			C1037	NCBA1AK-104W	C CAPACITOR	0.1uF 10V K	
Q6509	2SC4617/RS/-X	TRANSISTOR			C1038	NCBA1AK-104W	C CAPACITOR	0.1uF 10V K	
Q6509	or 2SC5383/F/-X	TRANSISTOR			C1039	NCBA1AK-104W	C CAPACITOR	0.1uF 10V K	
Q6509	or 2SD2216J/RS/-X	TRANSISTOR			C1040	NCBA1AK-104W	C CAPACITOR	0.1uF 10V K	
Q6510	2SA1774/RS/-X	TRANSISTOR			C2201	NCB31AK-105X	C CAPACITOR	1uF 10V K	
Q6510	or 2SB1462J/RS/-X	TRANSISTOR			C2202	NCB31AK-105X	C CAPACITOR	1uF 10V K	

MODEL	MARK	MODEL	MARK	MODEL	MARK	MODEL	MARK	MODEL	MARK
GZ-MS120AEK	A	GZ-MS120AEZ	D	GZ-MS120BEU	G	GZ-MS120PEU	K	GZ-MS120SEU	N
GZ-MS120AER	B	GZ-MS120BEK	E	GZ-MS120BEZ	H	GZ-MS120SEK	L	GZ-MS120SEZ	P
GZ-MS120AEU	C	GZ-MS120BER	F	GZ-MS120PEK	J	GZ-MS120SER	M		

△ Symbol No.	Part No.	Part Name	Description	Local	△ Symbol No.	Part No.	Part Name	Description	Local
C2203	NCB31AK-105X	C CAPACITOR	1uF 10V K		C4203	NCJ20JM-226X-A	C CAPACITOR	22uF 6.3V M	
C2204	NCB31AK-105X	C CAPACITOR	1uF 10V K		C4204	NCB20JK-106X	C CAPACITOR	10uF 6.3V K	
C2205	NCB31AK-105X	C CAPACITOR	1uF 10V K		C4206	NCB21EK-105X	C CAPACITOR	1uF 25V K	
C2206	NCBA1AK-104W	C CAPACITOR	0.1uF 10V K		C4207	NDCA1HJ-4R0W	C CAPACITOR	4pF 50V J	
C2207	NCBA1AK-104W	C CAPACITOR	0.1uF 10V K		C4208	NDCA1HJ-5R0W	C CAPACITOR	5pF 50V J	
C2208	NCB31AK-105X	C CAPACITOR	1uF 10V K		C4209	NCB31CK-104X	C CAPACITOR	0.1uF 16V K	
C2209	NCBA1CK-223W	C CAPACITOR	0.022uF 16V K		C4210	NCBA1HK-102W	C CAPACITOR	1000pF 50V K	
C2211	NCB31CK-224X	C CAPACITOR	0.22uF 16V K		C4211	NCBA1CK-103W	C CAPACITOR	0.01uF 16V K	
C2401	NCB20JK-106X	C CAPACITOR	10uF 6.3V K		C4212	NCB31CK-104X	C CAPACITOR	0.1uF 16V K	
C2402	NCB20JK-106X	C CAPACITOR	10uF 6.3V K		C4213	NCBA1AK-104W	C CAPACITOR	0.1uF 10V K	
C2403	NCB20JK-106X	C CAPACITOR	10uF 6.3V K		C4214	NCBA1AK-104W	C CAPACITOR	0.1uF 10V K	
C2404	NCB20JK-106X	C CAPACITOR	10uF 6.3V K		C4216	NCBA1AK-104W	C CAPACITOR	0.1uF 10V K	
C2405	NCB20JK-106X	C CAPACITOR	10uF 6.3V K		C4217	NCBA1AK-104W	C CAPACITOR	0.1uF 10V K	
C2407	NCBA1AK-104W	C CAPACITOR	0.1uF 10V K		C4218	NCBA1AK-104W	C CAPACITOR	0.1uF 10V K	
C2603	NCBA1CK-103W	C CAPACITOR	0.01uF 16V K		C4219	NCBA1AK-104W	C CAPACITOR	0.1uF 10V K	
C2604	NCBA1CK-103W	C CAPACITOR	0.01uF 16V K		C4220	NCBA1AK-104W	C CAPACITOR	0.1uF 10V K	
C2605	NCBA1CK-223W	C CAPACITOR	0.022uF 16V K		C4221	NCBA1AK-104W	C CAPACITOR	0.1uF 10V K	
C2606	NCBA1CK-223W	C CAPACITOR	0.022uF 16V K		C4222	NCBA1AK-104W	C CAPACITOR	0.1uF 10V K	
C2607	NCB30JK-105X	C CAPACITOR	1uF 6.3V K		C4223	NCBA1AK-104W	C CAPACITOR	0.1uF 10V K	
C2608	NCB30JK-105X	C CAPACITOR	1uF 6.3V K		C4224	NCBA1AK-104W	C CAPACITOR	0.1uF 10V K	
C2609	NCB31AK-105X	C CAPACITOR	1uF 10V K		C4225	NCBA1AK-104W	C CAPACITOR	0.1uF 10V K	
C2651	NCBA1CK-103W	C CAPACITOR	0.01uF 16V K		C4226	NDCA1HJ-120W	C CAPACITOR	12pF 50V J	
C2652	NCBA1CK-103W	C CAPACITOR	0.01uF 16V K		C4701	NCB20JK-106X	C CAPACITOR	10uF 6.3V K	
C3002	NCB20JK-475X	C CAPACITOR	4.7uF 6.3V K		C4902	NCB20JK-106X	C CAPACITOR	10uF 6.3V K	
C3003	NQR0415-001X	EMI FILTER	1uF 10V M		C4903	NCB20JK-106X	C CAPACITOR	10uF 6.3V K	
C3005	NCB31AK-105X	C CAPACITOR	1uF 10V K		C4905	NCBA1AK-104W	C CAPACITOR	0.1uF 10V K	
C3006	NCB20JK-475X	C CAPACITOR	4.7uF 6.3V K		C4907	NCBA1HK-102W	C CAPACITOR	1000pF 50V K	
C3007	NCB31AK-105X	C CAPACITOR	1uF 10V K		C4908	NCBA1AK-104W	C CAPACITOR	0.1uF 10V K	
C3008	NCBA1AK-104W	C CAPACITOR	0.1uF 10V K		C4909	NCBA1CK-103W	C CAPACITOR	0.01uF 16V K	
C3009	NCBA1CK-103W	C CAPACITOR	0.01uF 16V K		C4911	NDCA1HJ-101W	C CAPACITOR	100pF 50V J	
C3010	NCBA1AK-104W	C CAPACITOR	0.1uF 10V K		C4912	NCBA1AK-104W	C CAPACITOR	0.1uF 10V K	
C3011	NCBA1CK-103W	C CAPACITOR	0.01uF 16V K		C4913	NCBA1AK-104W	C CAPACITOR	0.1uF 10V K	
C3014	NCBA1AK-104W	C CAPACITOR	0.1uF 10V K		C4914	NCBA1HK-102W	C CAPACITOR	1000pF 50V K	
C3015	NCBA1AK-104W	C CAPACITOR	0.1uF 10V K		C4915	NCBA1HK-102W	C CAPACITOR	1000pF 50V K	
C3019	NCBA1CK-103W	C CAPACITOR	0.01uF 16V K		C4916	NCBA1AK-104W	C CAPACITOR	0.1uF 10V K	
C3020	NCB20JK-475X	C CAPACITOR	4.7uF 6.3V K		C4921	NCBA1CK-223W	C CAPACITOR	0.022uF 16V K	
C3021	NCBA1AK-104W	C CAPACITOR	0.1uF 10V K		C4922	NCBA1AK-104W	C CAPACITOR	0.1uF 10V K	
C3022	NCBA1AK-104W	C CAPACITOR	0.1uF 10V K		C4932	NCB20JK-106X	C CAPACITOR	10uF 6.3V K	
C3023	NCBA1CK-103W	C CAPACITOR	0.01uF 16V K		C4941	NCBA1AK-104W	C CAPACITOR	0.1uF 10V K	
C3024	NCBA1CK-103W	C CAPACITOR	0.01uF 16V K		C4942	NCBA1AK-104W	C CAPACITOR	0.1uF 10V K	
C3025	NCB20JK-475X	C CAPACITOR	4.7uF 6.3V K		C4943	NCBA1AK-104W	C CAPACITOR	0.1uF 10V K	
C3027	NCB11CK-475X	C CAPACITOR	4.7uF 16V K		C4961	NCB30JK-105X	C CAPACITOR	1uF 6.3V K	
C3029	NCBA1AK-104W	C CAPACITOR	0.1uF 10V K		C4962	NCBA1AK-104W	C CAPACITOR	0.1uF 10V K	
C3030	NCBA1AK-104W	C CAPACITOR	0.1uF 10V K		C6002	NCB21CK-105X	C CAPACITOR	1uF 16V K	
C3032	NCBA1AK-104W	C CAPACITOR	0.1uF 10V K		C6003	NCB21CK-105X	C CAPACITOR	1uF 16V K	
C3035	NBE41AM-476X	TA E CAPACITOR	47uF 10V M		C6004	NCB31CK-105X	C CAPACITOR	1uF 16V K	
C3036	NCBA1AK-104W	C CAPACITOR	0.1uF 10V K		C6005	NCB31CK-105X	C CAPACITOR	1uF 16V K	
C3038	NCBA1AK-104W	C CAPACITOR	0.1uF 10V K		C6006	NCB31CK-104X	C CAPACITOR	0.1uF 16V K	
C3041	NCBA1AK-104W	C CAPACITOR	0.1uF 10V K		C6008	NCB31EK-473X	C CAPACITOR	0.047uF 25V K	
C3043	NCBA1AK-104W	C CAPACITOR	0.1uF 10V K		C6012	NCB31CK-104X	C CAPACITOR	0.1uF 16V K	
C3044	NCB20JK-475X	C CAPACITOR	4.7uF 6.3V K		C6101	NCBA1HK-221W	C CAPACITOR	220pF 50V K	
C3046	NCBA1AK-104W	C CAPACITOR	0.1uF 10V K		C6102	NCBA1HK-152W	C CAPACITOR	1500pF 50V K	
C3047	NCB20JK-475X	C CAPACITOR	4.7uF 6.3V K		C6103	NCB31CK-105X	C CAPACITOR	1uF 16V K	
C3048	NCBA1AK-104W	C CAPACITOR	0.1uF 10V K		C6104	NCB20JK-106X	C CAPACITOR	10uF 6.3V K	
C3057	NCBA1CK-103W	C CAPACITOR	0.01uF 16V K		C6301	NCBA1HK-221W	C CAPACITOR	220pF 50V K	
C3058	NCB30JK-474X	C CAPACITOR	0.47uF 6.3V K		C6302	NCBA1HK-152W	C CAPACITOR	1500pF 50V K	
C3059	NCBA1AK-104W	C CAPACITOR	0.1uF 10V K		C6303	NCB31CK-105X	C CAPACITOR	1uF 16V K	
C3060	NCBA1AK-104W	C CAPACITOR	0.1uF 10V K		C6304	NCB20JK-106X	C CAPACITOR	10uF 6.3V K	
C3061	NCB30JK-474X	C CAPACITOR	0.47uF 6.3V K		C6401	NCBA1HK-331W	C CAPACITOR	330pF 50V K	
C3063	NCBA1AK-104W	C CAPACITOR	0.1uF 10V K		C6402	NCBA1HK-152W	C CAPACITOR	1500pF 50V K	
C3064	NDCA1HJ-101W	C CAPACITOR	100pF 50V J		C6403	NCB31CK-105X	C CAPACITOR	1uF 16V K	
C3067	NCBA1AK-104W	C CAPACITOR	0.1uF 10V K		C6404	NCB20JK-106X	C CAPACITOR	10uF 6.3V K	
C3701	NCB20JK-475X	C CAPACITOR	4.7uF 6.3V K		C6501	NCBA1AK-473W	C CAPACITOR	0.047uF 10V K	
C3708	NCB31AK-105X	C CAPACITOR	1uF 10V K		C6502	NCBA1AK-333W	C CAPACITOR	0.033uF 10V K	
C3718	NCB31AK-105X	C CAPACITOR	1uF 10V K		C6503	NCB31CK-105X	C CAPACITOR	1uF 16V K	
C3719	NCB31AK-105X	C CAPACITOR	1uF 10V K		C6504	NCB31CK-105X	C CAPACITOR	1uF 16V K	
C3720	NCB20JK-475X	C CAPACITOR	4.7uF 6.3V K		C6505	NCB31CK-105X	C CAPACITOR	1uF 16V K	
C3740	NCJA0JK-105W-U	C CAPACITOR	1uF 6.3V K		C6506	NCB21CK-105X	C CAPACITOR	1uF 16V K	
C3742	NCBA1AK-104W	C CAPACITOR	0.1uF 10V K		C6507	NCB21CK-105X	C CAPACITOR	1uF 16V K	
C3743	NDCA1HJ-3R0W	C CAPACITOR	3pF 50V J		C6510	NCB21CK-105X	C CAPACITOR	1uF 16V K	
C3744	NDCA1HJ-5R0W	C CAPACITOR	5pF 50V J		C6516	NCB31CK-105X	C CAPACITOR	1uF 16V K	
C3745	NDCA1HJ-330W	C CAPACITOR	33pF 50V J		C6701	NCBA1EK-472W	C CAPACITOR	4700pF 25V K	
C3746	NCB20JK-475X	C CAPACITOR	4.7uF 6.3V K		C6702	NCBA1CK-103W	C CAPACITOR	0.01uF 16V K	
C3747	NCBA1CK-103W	C CAPACITOR	0.01uF 16V K		C6704	NCB31CK-105X	C CAPACITOR	1uF 16V K	
C3748	NCBA1CK-103W	C CAPACITOR	0.01uF 16V K		C6705	NCB11AK-106X	C CAPACITOR	10uF 10V K	
C3751	NCBA1CK-103W	C CAPACITOR	0.01uF 16V K		C6706	NCBA1HK-821W	C CAPACITOR	820pF 50V K	
C4201	NCJ21CK-475X-D	C CAPACITOR	4.7uF 16V K		C6707	NDCA1HJ-151W	C CAPACITOR	150pF 50V J	
C4202	NCJ21CK-475X-D	C CAPACITOR	4.7uF 16V K		C6708	NCB11AK-106X	C CAPACITOR	10uF 10V K	

MODEL	MARK	MODEL	MARK	MODEL	MARK	MODEL	MARK	MODEL	MARK
GZ-MS120AEK	A	GZ-MS120AEZ	E	GZ-MS120BEU	G	GZ-MS120PEU	K	GZ-MS120SEU	N
GZ-MS120AER	B	GZ-MS120BEK	D	GZ-MS120BEZ	H	GZ-MS120SEK	L	GZ-MS120SEZ	P
GZ-MS120AEU	C	GZ-MS120BER	F	GZ-MS120PEK	J	GZ-MS120SER	M		

△ Symbol No.	Part No.	Part Name	Description	Local	△ Symbol No.	Part No.	Part Name	Description	Local
C6801	NCB31CK-104X	C CAPACITOR	0.1uF 16V K		R2207	NRSA6AJ-564W	MG RESISTOR	560kΩ 1/16W J	
C6901	NCBA1HK-102W	C CAPACITOR	1000pF 50V K		R2208	NRSA6AJ-472W	MG RESISTOR	4.7kΩ 1/16W J	
C6902	NCBA1HK-392W	C CAPACITOR	3900pF 50V K		R2210	NRSA6AJ-391W	MG RESISTOR	390Ω 1/16W J	
C6903	NCB21CK-105X	C CAPACITOR	1uF 16V K		R2305	NRSA6AJ-100W	MG RESISTOR	10Ω 1/16W J	
C6904	NCB20JK-106X	C CAPACITOR	10uF 6.3V K		R2401	NRSA6AJ-472W	MG RESISTOR	4.7kΩ 1/16W J	
C6905	NCB21CK-105X	C CAPACITOR	1uF 16V K		R2403	NRSA6AJ-472W	MG RESISTOR	4.7kΩ 1/16W J	
C6906	NCB21CK-105X	C CAPACITOR	1uF 16V K		R2404	NRSA6AJ-183W	MG RESISTOR	18kΩ 1/16W J	
C7801	NCB11CK-225X	C CAPACITOR	2.2uF 16V K		R2405	NRSA6AJ-100W	MG RESISTOR	10Ω 1/16W J	
C7803	NCB31AK-105X	C CAPACITOR	1uF 10V K		R2601	NRSA6AJ-222W	MG RESISTOR	2.2kΩ 1/16W J	
					R2602	NRSA6AJ-222W	MG RESISTOR	2.2kΩ 1/16W J	
R134	NRSA6AJ-0R0W	MG RESISTOR	0Ω 1/16W J		R2701	NRSA6AJ-821W	MG RESISTOR	820Ω 1/16W J	
R181	NRSA6AJ-682W	MG RESISTOR	6.8kΩ 1/16W J		R2702	NRSA6AJ-821W	MG RESISTOR	820Ω 1/16W J	
R421	NRSA6AJ-332W	MG RESISTOR	3.3kΩ 1/16W J		R2703	NRSA6AJ-564W	MG RESISTOR	560kΩ 1/16W J	
R422	NRSA6AJ-220W	MG RESISTOR	22Ω 1/16W J		R2704	NRSA6AJ-564W	MG RESISTOR	560kΩ 1/16W J	
R423	NRSA6AJ-152W	MG RESISTOR	1.5kΩ 1/16W J		R2705	NRSA6AJ-332W	MG RESISTOR	3.3kΩ 1/16W J	
R1001	NRSA6AJ-104W	MG RESISTOR	100kΩ 1/16W J		R3001	NRSA6AJ-330W	MG RESISTOR	33Ω 1/16W J	
R1002	NRSA6AJ-331W	MG RESISTOR	330Ω 1/16W J		R3002	NRSA6AJ-330W	MG RESISTOR	33Ω 1/16W J	
R1003	NRSA6AJ-561W	MG RESISTOR	560Ω 1/16W J		R3007	NRSA6AJ-104W	MG RESISTOR	100kΩ 1/16W J	
R1005	NRSA6AJ-102W	MG RESISTOR	1kΩ 1/16W J		R3008	NRSA6AJ-104W	MG RESISTOR	100kΩ 1/16W J	
R1008	NRSA6AJ-183W	MG RESISTOR	18kΩ 1/16W J		R3009	NRSA6AJ-104W	MG RESISTOR	100kΩ 1/16W J	
R1009	NRSA6AJ-183W	MG RESISTOR	18kΩ 1/16W J		R3010	NRSA6AJ-104W	MG RESISTOR	100kΩ 1/16W J	
R1013	NRSA6AJ-473W	MG RESISTOR	47kΩ 1/16W J		R3011	NRSA6AJ-101W	MG RESISTOR	100Ω 1/16W J	
R1015	NRSA6AJ-473W	MG RESISTOR	47kΩ 1/16W J		R3012	NRSA6AJ-330W	MG RESISTOR	33Ω 1/16W J	
R1017	NRSA6AJ-393W	MG RESISTOR	39kΩ 1/16W J		R3013	NRSA6AJ-0R0W	MG RESISTOR	0Ω 1/16W J	
R1021	NRSA6AJ-223W	MG RESISTOR	22kΩ 1/16W J		R3016	NRSA6AJ-102W	MG RESISTOR	1kΩ 1/16W J	
R1022	NRSA6AJ-223W	MG RESISTOR	22kΩ 1/16W J		R3018	NRSA6AJ-0R0W	MG RESISTOR	0Ω 1/16W J	
R1025	NRSA6AJ-393W	MG RESISTOR	39kΩ 1/16W J		R3019	NRSA6AJ-0R0W	MG RESISTOR	0Ω 1/16W J	
R1030	NRSA6AJ-473W	MG RESISTOR	47kΩ 1/16W J		R3022	NRSA6AJ-0R0W	MG RESISTOR	0Ω 1/16W J	
R1031	NRSA6AJ-332W	MG RESISTOR	3.3kΩ 1/16W J		R3024	NRSA6AJ-0R0W	MG RESISTOR	0Ω 1/16W J	
R1032	NRSA6AJ-102W	MG RESISTOR	1kΩ 1/16W J		R3032	NRSA6AD-682W	MG RESISTOR	6.8kΩ 1/16W D	
R1033	NRSA6AJ-104W	MG RESISTOR	100kΩ 1/16W J		R3033	NRSA6AD-103W	MG RESISTOR	10kΩ 1/16W D	
R1037	NRSA6AJ-473W	MG RESISTOR	47kΩ 1/16W J		R3037	NRSA6AJ-103W	MG RESISTOR	10kΩ 1/16W J	
R1038	NRSA6AJ-103W	MG RESISTOR	10kΩ 1/16W J		R3038	NRSA6AJ-103W	MG RESISTOR	10kΩ 1/16W J	
R1040	NRSA6AJ-273W	MG RESISTOR	27kΩ 1/16W J		R3039	NRSA6AJ-102W	MG RESISTOR	1kΩ 1/16W J	
R1042	NRSA6AJ-102W	MG RESISTOR	1kΩ 1/16W J		R3046	NRSA6AJ-473W	MG RESISTOR	47kΩ 1/16W J	
R1049	NRSA6AJ-102W	MG RESISTOR	1kΩ 1/16W J		R3050	NRSA6AJ-473W	MG RESISTOR	47kΩ 1/16W J	
R1052	NRSA6AJ-103W	MG RESISTOR	10kΩ 1/16W J		R3060	NRSA6AJ-332W	MG RESISTOR	3.3kΩ 1/16W J	
R1053	NRSA6AJ-104W	MG RESISTOR	100kΩ 1/16W J		R3061	NRSA6AJ-332W	MG RESISTOR	3.3kΩ 1/16W J	
R1054	NRSA6AJ-104W	MG RESISTOR	100kΩ 1/16W J		R3066	NRSA6AJ-101W	MG RESISTOR	100Ω 1/16W J	
R1055	NRSA6AJ-104W	MG RESISTOR	100kΩ 1/16W J		R3067	NRSA6AJ-101W	MG RESISTOR	100Ω 1/16W J	
R1056	NRSA6AJ-102W	MG RESISTOR	1kΩ 1/16W J		R3069	NRSA6AJ-0R0W	MG RESISTOR	0Ω 1/16W J	
R1058	NRSA6AJ-102W	MG RESISTOR	1kΩ 1/16W J		R3074	NRSA6AJ-122W	MG RESISTOR	1.2kΩ 1/16W J	
R1059	NRSA6AJ-102W	MG RESISTOR	1kΩ 1/16W J		R3075	NRSA6AJ-122W	MG RESISTOR	1.2kΩ 1/16W J	
R1060	NRSA6AJ-102W	MG RESISTOR	1kΩ 1/16W J		R3076	NRSA6AJ-122W	MG RESISTOR	1.2kΩ 1/16W J	
R1061	NRSA6AJ-821W	MG RESISTOR	820Ω 1/16W J		R3078	NRSA6AJ-0R0W	MG RESISTOR	0Ω 1/16W J	
R1063	NRSA6AJ-103W	MG RESISTOR	10kΩ 1/16W J		R3089	NRSA6AJ-104W	MG RESISTOR	100kΩ 1/16W J	
R1065	NRSA6AJ-102W	MG RESISTOR	1kΩ 1/16W J		R3108	NRSA6AD-822W	MG RESISTOR	8.2kΩ 1/16W D	
R1067	NRSA6AJ-332W	MG RESISTOR	3.3kΩ 1/16W J		R3109	NRSA6AD-393W	MG RESISTOR	39kΩ 1/16W D	
R1069	NRSA6AJ-102W	MG RESISTOR	1kΩ 1/16W J		R3111	NRSA6AD-681W	MG RESISTOR	680Ω 1/16W D	
R1070	NRSA6AJ-823W	MG RESISTOR	82kΩ 1/16W J		R3112	NRSA6AD-332W	MG RESISTOR	3.3kΩ 1/16W D	
R1071	NRSA6AJ-623W	MG RESISTOR	62kΩ 1/16W J		R3113	NRSA6AD-332W	MG RESISTOR	3.3kΩ 1/16W D	
R1073	NRSA6AJ-103W	MG RESISTOR	10kΩ 1/16W J		R3114	NRSA6AD-332W	MG RESISTOR	3.3kΩ 1/16W D	
R1074	NRSA6AJ-104W	MG RESISTOR	100kΩ 1/16W J		R3115	NRSA6AJ-103W	MG RESISTOR	10kΩ 1/16W J	
R1075	NRSA6AJ-104W	MG RESISTOR	100kΩ 1/16W J		R3119	NRSA6AJ-101W	MG RESISTOR	100Ω 1/16W J	
R1079	NRSA6AJ-102W	MG RESISTOR	1kΩ 1/16W J		R3120	NRSA6AJ-101W	MG RESISTOR	100Ω 1/16W J	
R1080	NRSA6AJ-102W	MG RESISTOR	1kΩ 1/16W J		R3121	NRSA6AJ-101W	MG RESISTOR	100Ω 1/16W J	
R1082	NRSA6AJ-105W	MG RESISTOR	1MΩ 1/16W J		R3122	NRSA6AJ-101W	MG RESISTOR	100Ω 1/16W J	
R1085	NRSA6AJ-102W	MG RESISTOR	1kΩ 1/16W J		R3123	NRSA6AJ-101W	MG RESISTOR	100Ω 1/16W J	
R1088	NRSA6AJ-102W	MG RESISTOR	1kΩ 1/16W J		R3124	NRSA6AJ-101W	MG RESISTOR	100Ω 1/16W J	
R1092	NRSA6AJ-473W	MG RESISTOR	47kΩ 1/16W J		R3134	NRSA6AJ-0R0W	MG RESISTOR	0Ω 1/16W J	
R1097	NRSA6AJ-102W	MG RESISTOR	1kΩ 1/16W J		R3135	NRSA6AJ-103W	MG RESISTOR	10kΩ 1/16W J	
R1098	NRSA6AJ-102W	MG RESISTOR	1kΩ 1/16W J		R3172	NRSA6AD-113W	MG RESISTOR	11kΩ 1/16W D	
R1100	NRSA6AJ-101W	MG RESISTOR	100Ω 1/16W J		R3177	NRSA6AJ-102W	MG RESISTOR	1kΩ 1/16W J	
R1101	NRSA6AJ-101W	MG RESISTOR	100Ω 1/16W J		R3178	NRSA6AJ-102W	MG RESISTOR	1kΩ 1/16W J	
R1104	NRSA6AJ-101W	MG RESISTOR	100Ω 1/16W J		R3179	NRSA6AJ-103W	MG RESISTOR	10kΩ 1/16W J	
R1105	NRSA6AJ-101W	MG RESISTOR	100Ω 1/16W J		R3180	NRSA6AJ-103W	MG RESISTOR	10kΩ 1/16W J	
R1109	NRSA6AJ-102W	MG RESISTOR	1kΩ 1/16W J		R3181	NRSA6AJ-102W	MG RESISTOR	1kΩ 1/16W J	
R1110	NRSA6AJ-104W	MG RESISTOR	100kΩ 1/16W J		R3182	NRSA6AJ-104W	MG RESISTOR	100kΩ 1/16W J	
R1112	NRSA6AJ-102W	MG RESISTOR	1kΩ 1/16W J		R3183	NRSA6AJ-104W	MG RESISTOR	100kΩ 1/16W J	
R1113	NRSA6AJ-102W	MG RESISTOR	1kΩ 1/16W J		R3184	NRSA6AJ-104W	MG RESISTOR	100kΩ 1/16W J	
R1117	NRSA6AJ-822W	MG RESISTOR	8.2kΩ 1/16W J		R3188	NRSA6AJ-104W	MG RESISTOR	100kΩ 1/16W J	
R1124	NRSA6AJ-102W	MG RESISTOR	1kΩ 1/16W J		R3189	NRSA6AJ-104W	MG RESISTOR	100kΩ 1/16W J	
R2201	NRSA6AJ-563W	MG RESISTOR	56kΩ 1/16W J		R3190	NRSA6AJ-104W	MG RESISTOR	100kΩ 1/16W J	
R2202	NRSA6AJ-223W	MG RESISTOR	22kΩ 1/16W J		R3202	NRSA6AJ-472W	MG RESISTOR	4.7kΩ 1/16W J	
R2203	NRSA6AJ-563W	MG RESISTOR	56kΩ 1/16W J		R3205	NRSA6AJ-104W	MG RESISTOR	100kΩ 1/16W J	
R2204	NRSA6AJ-223W	MG RESISTOR	22kΩ 1/16W J		R3301	NRSA6AJ-103W	MG RESISTOR	10kΩ 1/16W J	
R2205	NRSA6AJ-333W	MG RESISTOR	33kΩ 1/16W J		R3302	NRSA6AJ-103W	MG RESISTOR	10kΩ 1/16W J	
R2206	NRSA6AJ-683W	MG RESISTOR	68kΩ 1/16W J		R3320	NRSA6AJ-330W	MG RESISTOR	33Ω 1/16W J	

MODEL	MARK	MODEL	MARK	MODEL	MARK	MODEL	MARK	MODEL	MARK
GZ-MS120AEK	A	GZ-MS120AEZ	D	GZ-MS120BEU	G	GZ-MS120PEU	K	GZ-MS120SEU	N
GZ-MS120AER	B	GZ-MS120BEK	E	GZ-MS120BEZ	H	GZ-MS120SEK	L	GZ-MS120SEZ	P
GZ-MS120AEU	C	GZ-MS120BER	F	GZ-MS120PEK	J	GZ-MS120SER	M		

△ Symbol No.	Part No.	Part Name	Description	Local	△ Symbol No.	Part No.	Part Name	Description	Local
R3321	NRSA6AJ-103W	MG RESISTOR	10kΩ 1/16W J		R6103	NRSA6AD-183W	MG RESISTOR	18kΩ 1/16W D	
R3322	NRSA6AJ-102W	MG RESISTOR	1kΩ 1/16W J		R6104	NRSA6AD-103W	MG RESISTOR	10kΩ 1/16W D	
R3323	NRSA6AJ-0R0W	MG RESISTOR	0Ω 1/16W J		R6106	NRSA63J-0R0X	MG RESISTOR	0Ω 1/10W J	
R3324	NRSA6AJ-0R0W	MG RESISTOR	0Ω 1/16W J		R6107	NRSA6AD-301W	MG RESISTOR	300Ω 1/16W D	
R3325	NRSA6AJ-0R0W	MG RESISTOR	0Ω 1/16W J		R6301	NRSA6AJ-362W	MG RESISTOR	3.6kΩ 1/16W J	
R3326	NRSA6AJ-0R0W	MG RESISTOR	0Ω 1/16W J		R6302	NRSA6AJ-0R0W	MG RESISTOR	0Ω 1/16W J	
R3327	NRSA6AJ-101W	MG RESISTOR	100Ω 1/16W J		R6303	NRSA6AD-103W	MG RESISTOR	10kΩ 1/16W D	
R3328	NRSA6AJ-0R0W	MG RESISTOR	0Ω 1/16W J		R6304	NRSA6AD-204W	MG RESISTOR	200kΩ 1/16W D	
R3329	NRSA6AJ-0R0W	MG RESISTOR	0Ω 1/16W J		R6401	NRSA6AJ-822W	MG RESISTOR	8.2kΩ 1/16W J	
R3330	NRSA6AJ-0R0W	MG RESISTOR	0Ω 1/16W J		R6402	NRSA6AD-124W	MG RESISTOR	120kΩ 1/16W D	
R3331	NRSA6AJ-0R0W	MG RESISTOR	0Ω 1/16W J		R6403	NRSA6AD-183W	MG RESISTOR	18kΩ 1/16W D	
R3333	NRSA6AJ-0R0W	MG RESISTOR	0Ω 1/16W J		R6404	NRSA6AD-203W	MG RESISTOR	20kΩ 1/16W D	
R3335	NRSA6AJ-0R0W	MG RESISTOR	0Ω 1/16W J		R6405	NRSA6AJ-0R0W	MG RESISTOR	0Ω 1/16W J	
R3702	NRSA6AD-680W	MG RESISTOR	68Ω 1/16W D		R6406	NRSA6AJ-0R0W	MG RESISTOR	0Ω 1/16W J	
R3744	NRSA6AJ-561W	MG RESISTOR	560Ω 1/16W J		R6501	NRSA6AJ-272W	MG RESISTOR	2.7kΩ 1/16W J	
R3745	NRSA6AJ-152W	MG RESISTOR	1.5kΩ 1/16W J		R6502	NRSA6AD-682W	MG RESISTOR	6.8kΩ 1/16W D	
R3750	NRSA6AJ-222W	MG RESISTOR	2.2kΩ 1/16W J		R6503	NRSA6AD-114W	MG RESISTOR	110kΩ 1/16W D	
R3751	NRSA6AJ-105W	MG RESISTOR	1MΩ 1/16W J		R6505	NRSA6AD-103W	MG RESISTOR	10kΩ 1/16W D	
R3752	NRSA6AJ-821W	MG RESISTOR	820Ω 1/16W J		R6530	NRSA6AJ-222W	MG RESISTOR	2.2kΩ 1/16W J	
R3753	NRSA6AJ-102W	MG RESISTOR	1kΩ 1/16W J		R6532	NRSA6AJ-154W	MG RESISTOR	150kΩ 1/16W J	
R3756	NRSA6AJ-103W	MG RESISTOR	10kΩ 1/16W J		R6533	NRSA6AJ-682W	MG RESISTOR	6.8kΩ 1/16W J	
R3759	NRSA6AJ-392W	MG RESISTOR	3.9kΩ 1/16W J		R6535	NRSA6AJ-154W	MG RESISTOR	150kΩ 1/16W J	
R3760	NRSA6AJ-221W	MG RESISTOR	220Ω 1/16W J		R6702	NRSA6AJ-561W	MG RESISTOR	560Ω 1/16W J	
R3764	NRSA6AJ-473W	MG RESISTOR	47kΩ 1/16W J		R6703	NRSA6AJ-433W	MG RESISTOR	43kΩ 1/16W J	
R3765	NRSA6AJ-223W	MG RESISTOR	22kΩ 1/16W J		R6704	NRSA6AD-103W	MG RESISTOR	10kΩ 1/16W D	
R4201	NRSA6AJ-104W	MG RESISTOR	100kΩ 1/16W J		R6705	NRSA6AD-393W	MG RESISTOR	39kΩ 1/16W D	
R4208	NRSA6AJ-470W	MG RESISTOR	47Ω 1/16W J		R6706	NRSA6AJ-822W	MG RESISTOR	8.2kΩ 1/16W J	
R4209	NRSA6AJ-333W	MG RESISTOR	33kΩ 1/16W J		R6707	NRSA6AJ-0R0W	MG RESISTOR	0Ω 1/16W J	
R4211	NRSA6AJ-330W	MG RESISTOR	33Ω 1/16W J		R6708	NRSA6AD-153W	MG RESISTOR	15kΩ 1/16W D	
R4701	NRSA6AD-183W	MG RESISTOR	18kΩ 1/16W D		R6710	NRSA6AD-114W	MG RESISTOR	110kΩ 1/16W D	
R4702	NRSA6AD-183W	MG RESISTOR	18kΩ 1/16W D		R6711	NRSA6AJ-472W	MG RESISTOR	4.7kΩ 1/16W J	
R4711	NRSA6AJ-474W	MG RESISTOR	470kΩ 1/16W J		R6712	NRSA6AJ-224W	MG RESISTOR	220kΩ 1/16W J	
R4712	NRSA6AJ-474W	MG RESISTOR	470kΩ 1/16W J		R6714	NRSA6AJ-105W	MG RESISTOR	1MΩ 1/16W J	
R4715	NRSA6AJ-102W	MG RESISTOR	1kΩ 1/16W J		R6715	NRSA6AJ-105W	MG RESISTOR	1MΩ 1/16W J	
R4716	NRSA6AJ-102W	MG RESISTOR	1kΩ 1/16W J		R6716	NRV142F-R20X	CMF RESISTOR	0.2Ω 1/4W F	
R4901	NRSA6AJ-332W	MG RESISTOR	3.3kΩ 1/16W J		R6901	NRSA6AJ-472W	MG RESISTOR	4.7kΩ 1/16W J	
R4903	NRSA6AJ-822W	MG RESISTOR	8.2kΩ 1/16W J		R6902	NRSA6AJ-102W	MG RESISTOR	1kΩ 1/16W J	
R4904	NRSA6AJ-103W	MG RESISTOR	10kΩ 1/16W J		R6904	NRSA63J-221X	MG RESISTOR	220Ω 1/16W J	
R4905	NRSA6AJ-333W	MG RESISTOR	33kΩ 1/16W J		R6905	NRSA63J-221X	MG RESISTOR	220Ω 1/16W J	
R4906	NRSA6AJ-564W	MG RESISTOR	560kΩ 1/16W J		R6906	NRSA63J-104X	MG RESISTOR	100kΩ 1/16W J	
R4907	NRSA6AJ-105W	MG RESISTOR	1MΩ 1/16W J		R6907	NRSA63J-222X	MG RESISTOR	2.2kΩ 1/16W J	
R4911	NRSA6AJ-101W	MG RESISTOR	100Ω 1/16W J		R7801	NRSA6AD-123W	MG RESISTOR	12kΩ 1/16W D	
R4916	NRSA6AJ-154W	MG RESISTOR	150kΩ 1/16W J		R7803	NRSA6AD-822W	MG RESISTOR	8.2kΩ 1/16W D	
R4917	NRSA6AJ-474W	MG RESISTOR	470kΩ 1/16W J		R7804	NRSA6AD-822W	MG RESISTOR	8.2kΩ 1/16W D	
R4923	NRSA6AJ-122W	MG RESISTOR	1.2kΩ 1/16W J		R7805	NRSA6AD-822W	MG RESISTOR	8.2kΩ 1/16W D	
R4924	NRSA6AJ-123W	MG RESISTOR	12kΩ 1/16W J		R7809	NRSA6AJ-822W	MG RESISTOR	8.2kΩ 1/16W J	
R4927	NRSA6AJ-564W	MG RESISTOR	560kΩ 1/16W J		R7810	NRSA6AJ-822W	MG RESISTOR	8.2kΩ 1/16W J	
R4931	NRSA6AJ-331W	MG RESISTOR	330Ω 1/16W J		R7811	NRSA6AJ-822W	MG RESISTOR	8.2kΩ 1/16W J	
R4932	NRSA6AJ-331W	MG RESISTOR	330Ω 1/16W J		R7813	NRSA6AJ-103W	MG RESISTOR	10kΩ 1/16W J	
R4933	NRSA6AJ-393W	MG RESISTOR	39kΩ 1/16W J		RA1001	NRZ0034-104W	NET RESISTOR	100kΩ 1/32W J x4	
R4934	NRSA6AJ-683W	MG RESISTOR	68kΩ 1/16W J		RA1002	NRZ0034-102W	NET RESISTOR	1kΩ 1/32W J x4	
R4949	NRSA6AJ-103W	MG RESISTOR	10kΩ 1/16W J		RA3001	NRZ0034-0R0W	NET RESISTOR	0Ω 1/32W J x4	
R4950	NRSA6AJ-154W	MG RESISTOR	150kΩ 1/16W J		RA3004	NRZ0034-0R0W	NET RESISTOR	0Ω 1/32W J x4	
R4951	NRSA6AJ-154W	MG RESISTOR	150kΩ 1/16W J		RA3005	NRZ0034-0R0W	NET RESISTOR	0Ω 1/32W J x4	
R4953	NRSA6AJ-471W	MG RESISTOR	470Ω 1/16W J						
R4954	NRSA6AJ-103W	MG RESISTOR	10kΩ 1/16W J		L131	NQR0506-002X	EMI FILTER		
R4955	NRSA6AJ-103W	MG RESISTOR	10kΩ 1/16W J		L1002	NQL38DK-100X	P COIL	10uH K	
R4961	NRSA6AJ-104W	MG RESISTOR	100kΩ 1/16W J		L2401	NQLC32M-100X	COIL	10uH M	
R4962	NRSA6AJ-104W	MG RESISTOR	100kΩ 1/16W J		L2402	NQLC32M-100X	COIL	10uH M	
R4987	NRSA6AJ-121W	MG RESISTOR	120Ω 1/16W J		L2601	NQR0559-009X	FERRITE BEADS		
R4988	NRSA6AJ-121W	MG RESISTOR	120Ω 1/16W J		L2602	NQR0559-009X	FERRITE BEADS		
R4990	NRSA6AJ-683W	MG RESISTOR	68kΩ 1/16W J		L2603	NQR0559-009X	FERRITE BEADS		
R4991	NRSA6AJ-683W	MG RESISTOR	68kΩ 1/16W J		L3001	NQR0573-005X	FERRITE BEADS		
R4992	NRSA6AJ-153W	MG RESISTOR	15kΩ 1/16W J		L3003	NQR0573-005X	FERRITE BEADS		
R4993	NRSA6AJ-104W	MG RESISTOR	100kΩ 1/16W J		L3004	NQR0573-005X	FERRITE BEADS		
R4994	NRSA6AJ-104W	MG RESISTOR	100kΩ 1/16W J		L3006	NQR0573-005X	FERRITE BEADS		
R4995	NRSA6AJ-104W	MG RESISTOR	100kΩ 1/16W J		L3007	NQR0573-005X	FERRITE BEADS		
R4996	NRSA6AJ-104W	MG RESISTOR	100kΩ 1/16W J		L3008	NQR0573-005X	FERRITE BEADS		
R6003	NRSA6AD-303W	MG RESISTOR	30kΩ 1/16W D		L3012	NQR0573-005X	FERRITE BEADS		
R6004	NRSA6AD-473W	MG RESISTOR	47kΩ 1/16W D		L3013	NQR0286-009X	FERRITE BEADS		
R6011	NRSA6AD-823W	MG RESISTOR	82kΩ 1/16W D		L3014	NQR0286-009X	FERRITE BEADS		
R6012	NRSA6AD-333W	MG RESISTOR	33kΩ 1/16W D		L3701	NQL38DK-100X	P COIL	10uH K	
R6013	NRSA6AJ-103W	MG RESISTOR	10kΩ 1/16W J		L3703	NRSA02J-0R0X	MG RESISTOR	0Ω 1/10W J	
R6014	NRSA6AJ-104W	MG RESISTOR	100kΩ 1/16W J		L3732	NQL953J-5R6X	COIL	5.6uH J	
R6021	NRSA6AD-154W	MG RESISTOR	150kΩ 1/16W D		L4201	NQL38DK-100X	P COIL	10uH K	
R6022	NRSA6AD-393W	MG RESISTOR	39kΩ 1/16W D		L4202	NQL38DK-100X	P COIL	10uH K	
R6024	NRSA6AJ-474W	MG RESISTOR	470kΩ 1/16W J		L4203	NQL38DK-220X	P COIL	22uH K	
R6101	NRSA6AJ-362W	MG RESISTOR	3.6kΩ 1/16W J		L4204	NQL38DK-220X	P COIL	22uH K	

MODEL	MARK	MODEL	MARK	MODEL	MARK	MODEL	MARK	MODEL	MARK
GZ-MS120AEK	A	GZ-MS120AEZ	D	GZ-MS120BEU	G	GZ-MS120PEU	K	GZ-MS120SEU	N
GZ-MS120AER	B	GZ-MS120BEK	E	GZ-MS120BEZ	H	GZ-MS120SEK	L	GZ-MS120SEZ	P
GZ-MS120AEU	C	GZ-MS120BER	F	GZ-MS120PEK	J	GZ-MS120SER	M		

Symbol No.	Part No.	Part Name	Description	Local	Symbol No.	Part No.	Part Name	Description	Local
L4901	NQR0499-001X	FERRITE BEADS			C304	NDC31HJ-102X	C CAPACITOR	1000pF 50V J	
L4902	NQL38DK-100X	P COIL	10uH K		R301	NRSA63J-391X	MG RESISTOR	390Ω 1/16W J	
L4903	NQL38DK-100X	P COIL	10uH K		R302	NRSA63J-391X	MG RESISTOR	390Ω 1/16W J	
L6101	NQLG4EM-470X	COIL	47uH M		R303	NRSA63J-391X	MG RESISTOR	390Ω 1/16W J	
L6301	NQLG4EM-390X	COIL	39uH M		R304	NRSA63J-391X	MG RESISTOR	390Ω 1/16W J	
L6401	NQLG4EM-390X	COIL	39uH M		L301	NQR0599-003X	FERRITE BEADS		
L6501	NQL52EM-221X	COIL	220uH M		L302	NQR0599-003X	FERRITE BEADS		
L6502	NQL38DK-100X	P COIL	10uH K		CN301	QGF0565C1-08W	CONNECTOR	FFC/FPC (1-8)	
L6701	NQL52EM-470X	COIL	47uH M		OT1	LY36704-001A	SHEET (LED)		
L6901	NQLE82M-470X	COIL	47uH M		OT2	LY30035-045A	SPACER(A)		
L7801	NQL38DK-101X	P COIL	100uH K		WR1	QAL1038-001	FPC	MONI-SENS	

CN101	QGF0534F2-57X	CONNECTOR	FFC/FPC (1-57)	
CN103	QGF0534F2-30X	CONNECTOR	FFC/FPC (1-30)	
CN104	QGF0534F3-12X	CONNECTOR	FFC/FPC (1-12)	
CN105	QGF0543F3-20X	CONNECTOR	FFC/FPC (1-20)	
CN106	QGF0543F3-25X	CONNECTOR	FFC/FPC (1-25)	
CN107	QGA1001F1-04X	CONNECTOR	W-B (1-4)	
CN109	QGA1001F1-02X	CONNECTOR	W-B (1-2)	
CN111	QGF0543F3-06X	CONNECTOR	FFC/FPC (1-6)	
CN701	QGB0519J1-20X	CONNECTOR	B-B (1-20)	
△ F6001	NMFZ024-2R5X-A	FUSE	2.5A	
△ F6002	NMFZ024-2R5X-A	FUSE	2.5A	
F6003	NRSA63J-0R0X	MG RESISTOR	0Ω 1/10W J	
F6501	NRSA63J-0R0X	MG RESISTOR	0Ω 1/10W J	
△ F6701	NMFZ024-2R5X-A	FUSE	2.5A	
HD1	LY36677-001A	HOLDER (LED)		
J101	QNZ1008-001	USB CONNECTOR		
X1001	NAX0647-001X	C RESONATOR	20.000MHz	
X1002	NAX0950-001X	CRYSTAL	32.768KHz	
X3001	NAX1023-001X	C RESONATOR	48.000MHz	
X4201	NAX1012-001X	CRYSTAL	27.000MHz	

SD BOARD ASSEMBLY <04>

Symbol No.	Part No.	Part Name	Description	Local
PW1	LYA20051-04C1	SD BOARD ASSY		
IC402	S-1112B31MC-W	IC		
IC403	S-1112B31MC-W	IC		
C401	NCB20JK-475X	C CAPACITOR	4.7uF 6.3V K	
C402	NCB31CK-104X	C CAPACITOR	0.1uF 16V K	
C404	NCB31CK-104X	C CAPACITOR	0.1uF 16V K	
C405	NCB31AK-105X	C CAPACITOR	1uF 10V K	
C406	NCB31AK-105X	C CAPACITOR	1uF 10V K	
C407	NCB31AK-105X	C CAPACITOR	1uF 10V K	
C408	NCB31AK-105X	C CAPACITOR	1uF 10V K	

CCD BOARD ASSEMBLY <02>

Symbol No.	Part No.	Part Name	Description	Local
PW1	LYA20044-01A	CCD BOARD ASSY		
Q5001	2SC3931/CD/-X	TRANSISTOR		
Q5001	or 2SC4265JC07-X	TRANSISTOR		
C5001	NCB11CK-475X	C CAPACITOR	4.7uF 16V K	
C5002	NCB31CK-104X	C CAPACITOR	0.1uF 16V K	
C5004	NCB31CK-104X	C CAPACITOR	0.1uF 16V K	
C5005	NCB31CK-104X	C CAPACITOR	0.1uF 16V K	
C5006	NCB31CK-104X	C CAPACITOR	0.1uF 16V K	
C5007	NCB31EK-222X	C CAPACITOR	2200pF 25V K	
R5001	NRSA63J-362X	MG RESISTOR	3.6kΩ 1/16W J	
R5008	NRSA63D-220X	MG RESISTOR	22Ω 1/16W D	
R5009	NRSA63D-220X	MG RESISTOR	22Ω 1/16W D	
L5001	NQL315K-470X	COIL	47uH K	
L5002	NQL315K-470X	COIL	47uH K	
CN5001	QGF0543F3-20X	CONNECTOR	FFC/FPC (1-20)	

SENSOR BOARD ASSEMBLY <03>

Symbol No.	Part No.	Part Name	Description	Local
PW2	LYA20053-01B2	SENSOR BOARD ASSY		
IC301	CP7126AT-X	IC		
D301	LNJ953W8C-X	LED		
D302	LNJ953W8C-X	LED		
D303	LNJ953W8C-X	LED		
D304	LNJ953W8C-X	LED		
C301	NCB30JK-105X	C CAPACITOR	1uF 6.3V K	
C303	NCB20JK-475X	C CAPACITOR	4.7uF 6.3V K	

R401	NRSA63J-473X	MG RESISTOR	47kΩ 1/16W J	
R402	NRSA63J-221X	MG RESISTOR	220Ω 1/16W J	
R403	NRSA63J-563X	MG RESISTOR	56kΩ 1/16W J	
R404	NRSA63J-563X	MG RESISTOR	56kΩ 1/16W J	
R405	NRSA63J-563X	MG RESISTOR	56kΩ 1/16W J	
R406	NRSA63J-563X	MG RESISTOR	56kΩ 1/16W J	
R407	NRSA63J-103X	MG RESISTOR	10kΩ 1/16W J	
R408	NRSA63J-101X	MG RESISTOR	100Ω 1/16W J	
R409	NRSA63J-101X	MG RESISTOR	100Ω 1/16W J	
R410	NRSA63J-101X	MG RESISTOR	100Ω 1/16W J	
R411	NRSA63J-101X	MG RESISTOR	100Ω 1/16W J	
R412	NRSA63J-473X	MG RESISTOR	47kΩ 1/16W J	
R413	NRSA63J-221X	MG RESISTOR	220Ω 1/16W J	
R414	NRSA63J-563X	MG RESISTOR	56kΩ 1/16W J	
R415	NRSA63J-563X	MG RESISTOR	56kΩ 1/16W J	
R416	NRSA63J-563X	MG RESISTOR	56kΩ 1/16W J	
R417	NRSA63J-563X	MG RESISTOR	56kΩ 1/16W J	
R418	NRSA63J-103X	MG RESISTOR	10kΩ 1/16W J	
R419	NRSA63J-101X	MG RESISTOR	100Ω 1/16W J	
R420	NRSA63J-101X	MG RESISTOR	100Ω 1/16W J	
R431	NRSA63J-101X	MG RESISTOR	100Ω 1/16W J	
R432	NRSA63J-101X	MG RESISTOR	100Ω 1/16W J	
R433	NRSA63J-682X	MG RESISTOR	6.8kΩ 1/16W J	
R434	NRSA63J-153X	MG RESISTOR	15kΩ 1/16W J	
R437	NRSA63J-0R0X	MG RESISTOR	0Ω 1/10W J	
R438	NRSA63J-0R0X	MG RESISTOR	0Ω 1/10W J	
R439	NRSA63J-0R0X	MG RESISTOR	0Ω 1/10W J	
R440	NRSA63J-0R0X	MG RESISTOR	0Ω 1/10W J	
R441	NRSA63J-0R0X	MG RESISTOR	0Ω 1/10W J	
R442	NRSA63J-0R0X	MG RESISTOR	0Ω 1/10W J	
R443	NRSA63J-0R0X	MG RESISTOR	0Ω 1/10W J	
R444	NRSA63J-0R0X	MG RESISTOR	0Ω 1/10W J	
R445	NRSA63J-0R0X	MG RESISTOR	0Ω 1/10W J	
R446	NRSA63J-0R0X	MG RESISTOR	0Ω 1/10W J	
R447	NRSA63J-0R0X	MG RESISTOR	0Ω 1/10W J	
R448	NRSA63J-0R0X	MG RESISTOR	0Ω 1/10W J	

L401	NQR0154-004X	FERRITE CORE		
CN401	QGF0549C2-30W	CONNECTOR	FFC/FPC (1-30)	
CN402	NNZ0221-001X	SD CARD CONNECTOR		
CN403	NNZ0221-001X	SD CARD CONNECTOR		
S401	NSW0198-001X	TACT SWITCH		
S402	NSW0198-001X	TACT SWITCH		

MODEL	MARK	MODEL	MARK	MODEL	MARK	MODEL	MARK	MODEL	MARK
GZ-MS120AEK	A	GZ-MS120AEZ	D	GZ-MS120BEU	G	GZ-MS120PEU	K	GZ-MS120SEU	N
GZ-MS120AER	B	GZ-MS120BEK	E	GZ-MS120BEZ	H	GZ-MS120SEK	L	GZ-MS120SEZ	P
GZ-MS120AEU	C	GZ-MS120BER	F	GZ-MS120PEK	J	GZ-MS120SER	M		

Symbol No.	Part No.	Part Name	Description	Local	Symbol No.	Part No.	Part Name	Description	Local
S403	NSW0198-001X	TACT SWITCH			C7313	NCB31CK-104X	C CAPACITOR	0.1uF 16V K	
S404	NSW0198-001X	TACT SWITCH			C7314	NCB31AK-105X	C CAPACITOR	1uF 10V K	
S405	NSW0198-001X	TACT SWITCH			C7316	NCB20JK-106X	C CAPACITOR	10uF 6.3V K	
S406	NSW0294-001X	LEVER SWITCH							
S407	NSW0099-001X	SLIDE SWITCH			R703	NRSA63J-471X	MG RESISTOR	470Ω 1/16W J	

MONITOR BOARD ASSEMBLY <05>

Symbol No.	Part No.	Part Name	Description	Local
PW1	LYA20053-01B1	MONITOR BOARD ASSY		
IC701	HGDESN031A-X	IC		
IC702	R1114N281B-X	IC		
IC7301	TC7SZ04FU-F-X	IC(DIGITAL)		
IC7302	R1114N401B-X	IC		
Q7302	2SA1774/RS/-X	TRANSISTOR		
Q7302	or 2SB1462J/RS/-X	TRANSISTOR		
Q7302	or 2SA1989/RS/-X	TRANSISTOR		
Q7303	2SC4617/RS/-X	TRANSISTOR		
Q7303	or 2SD2216J/RS/-X	TRANSISTOR		
Q7303	or 2SC5383/F/-X	TRANSISTOR		
Q7304	UMT1N-W	PAIR TRANSISTOR		
Q7304	or KTA701U/G/-X	PAIR TRANSISTOR		
Q7304	or PUMT1-W	PAIR TRANSISTOR		
Q7304	or BC856S-X	PAIR TRANSISTOR		
Q7304	or XP4401-W	TRANSISTOR		
Q7305	DTC143XE-X	DIGI TRANSISTOR		
Q7305	or UN921FJ-X	DIGI TRANSISTOR		
Q7305	or SRC1219EF-X	DIGI TRANSISTOR		
Q7305	or KRC419E-X	DIGI TRANSISTOR		
Q7305	or RT1N432U-X	DIGI TRANSISTOR		
Q7306	DTC124EE-X	DIGI TRANSISTOR		
Q7306	or UN9212J-X	DIGI TRANSISTOR		
Q7306	or SRC1203EF-X	DIGI TRANSISTOR		
Q7306	or KRC403E-X	DIGI TRANSISTOR		
Q7306	or RT1N241U-X	DIGI TRANSISTOR		
Q7310	DTA144EE-X	DIGI TRANSISTOR		
Q7310	or UN9113J-X	DIGI TRANSISTOR		
Q7310	or KRA304E-X	DIGI TRANSISTOR		
Q7310	or PDTA144EE-X	DIGI TRANSISTOR		
Q7701	2SC4617/RS/-X	TRANSISTOR		
Q7701	or 2SC5383/F/-X	TRANSISTOR		
Q7701	or 2SD2216J/RS/-X	TRANSISTOR		
Q7702	UMX1N-W	PAIR TRANSISTOR		
Q7702	or KTC801U/G/-X	PAIR TRANSISTOR		
Q7702	or RT3CLLM/EF/-X	TRANSISTOR		
Q7702	or XP4501-W	TRANSISTOR		
Q7702	or PUMX1-W	PAIR TRANSISTOR		
Q7703	UMX1N-W	PAIR TRANSISTOR		
Q7703	or KTC801U/G/-X	PAIR TRANSISTOR		
Q7703	or RT3CLLM/EF/-X	TRANSISTOR		
Q7703	or XP4501-W	TRANSISTOR		
Q7703	or PUMX1-W	PAIR TRANSISTOR		
D7301	1SS355-X	SI DIODE		
D7301	or MA111-X	SI DIODE		
D7301	or SDS511-X	SI DIODE		
D7301	or 1SS352-X	SI DIODE		
D7302	UDZW5.1B-X	SB DIODE		
D7302	or MA8051/M-X	Z DIODE		
D7701	NSSW006/T294-X	LED		
D7702	NSSW006/T294-X	LED		
D7703	NSSW006/T294-X	LED		
D7704	NSSW006/T294-X	LED		
C702	NCB30JK-105X	C CAPACITOR	1uF 6.3V K	
C7302	NCB30JK-105X	C CAPACITOR	1uF 6.3V K	
C7305	NCB11CK-475X	C CAPACITOR	4.7uF 16V K	
C7307	NCB20JK-106X	C CAPACITOR	10uF 6.3V K	
C7308	NCB31CK-104X	C CAPACITOR	0.1uF 16V K	
C7309	NCB21CK-105X	C CAPACITOR	1uF 16V K	
C7310	NCB21CK-105X	C CAPACITOR	1uF 16V K	
C7311	NCB21CK-105X	C CAPACITOR	1uF 16V K	
C7312	NCB31AK-105X	C CAPACITOR	1uF 10V K	

R707	NRSA63J-104X	MG RESISTOR	100kΩ 1/16W J	
R714	NRSA63J-0R0X	MG RESISTOR	0Ω 1/10W J	
R7303	NRSA63J-222X	MG RESISTOR	2.2kΩ 1/16W J	
R7304	NRSA63D-221X	MG RESISTOR	220Ω 1/16W D	
R7305	NRSA63D-272X	MG RESISTOR	2.7kΩ 1/16W D	
R7306	NRSA63D-332X	MG RESISTOR	3.3kΩ 1/16W D	
R7307	NRSA63J-104X	MG RESISTOR	100kΩ 1/16W J	
R7308	NRSA63J-562X	MG RESISTOR	5.6kΩ 1/16W J	
R7309	NRSA63J-202X	MG RESISTOR	2kΩ 1/16W J	
R7310	NRSA63J-103X	MG RESISTOR	10kΩ 1/16W J	
R7312	NRSA63J-473X	MG RESISTOR	47kΩ 1/16W J	
R7313	NRSA63J-473X	MG RESISTOR	47kΩ 1/16W J	
R7314	NRSA63J-473X	MG RESISTOR	47kΩ 1/16W J	
R7315	NRSA63J-105X	MG RESISTOR	1MΩ 1/16W J	
R7318	NRSA63J-123X	MG RESISTOR	12kΩ 1/16W J	
R7701	NRSA63D-391X	MG RESISTOR	390Ω 1/16W D	
R7702	NRSA63D-682X	MG RESISTOR	6.8kΩ 1/16W D	
R7703	NRSA63D-330X	MG RESISTOR	33Ω 1/16W D	
R7704	NRSA63D-330X	MG RESISTOR	33Ω 1/16W D	
R7705	NRSA63D-330X	MG RESISTOR	33Ω 1/16W D	
R7706	NRSA63D-330X	MG RESISTOR	33Ω 1/16W D	
L7301	NRSA63J-0R0X	MG RESISTOR	0Ω 1/10W J	
L7302	NQL382M-100X	COIL	10uH M	
CN701	QGF0534F2-24X	CONNECTOR	FFC/FPC (1-24)	
CN702	QGF0534F2-08X	CONNECTOR	FFC/FPC (1-8)	
CN703	QGF0534F2-30X	CONNECTOR	FFC/FPC (1-30)	

REAR BOARD ASSEMBLY <06>

Symbol No.	Part No.	Part Name	Description	Local
PW2	LYA20051-04C2	REAR BOARD ASSY		
C603	NCB31HK-102X	C CAPACITOR	1000pF 50V K	
C604	NCB31HK-102X	C CAPACITOR	1000pF 50V K	
R601	NRSA63J-101X	MG RESISTOR	100Ω 1/16W J	
R602	NRSA63J-101X	MG RESISTOR	100Ω 1/16W J	
R603	NRSA63J-0R0X	MG RESISTOR	0Ω 1/10W J	
△ R611	NRSA63J-102X	MG RESISTOR	1kΩ 1/16W J	
L602	NQR0251-004X	FERRITE BEADS		
L603	NQR0251-004X	FERRITE BEADS		
BT601	LY35953-001B	BATT.TERMINAL		
△ BT602	QAB0050-001	LITHIUM BATTERY		
CN601	QGF0543F3-30X	CONNECTOR	FFC/FPC (1-30)	
J601	QNS0287-001	3.5 JACK		
J602	QNA0039-001	DC JACK		
OT1	LY30035-037A	SPACER(A)		
WR1	QUQK05-3003AA-E	FFC WIRE		REAR-MAIN