

# PARTS LIST

## SAFETY PRECAUTION

Parts identified by the  $\triangle$  symbol are critical for safety. Replace only with specified part numbers.

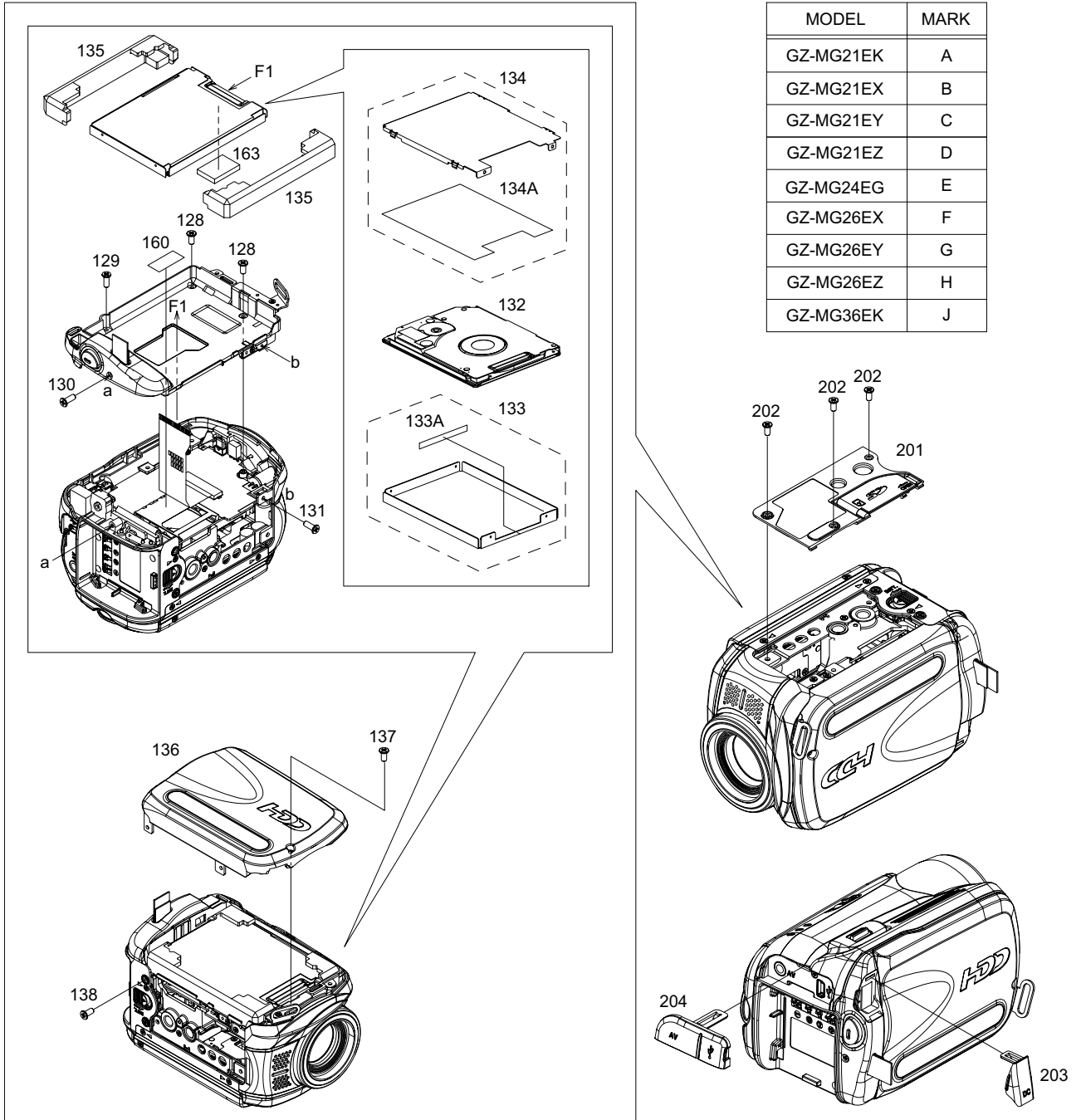
## BEWARE OF BOGUS PARTS

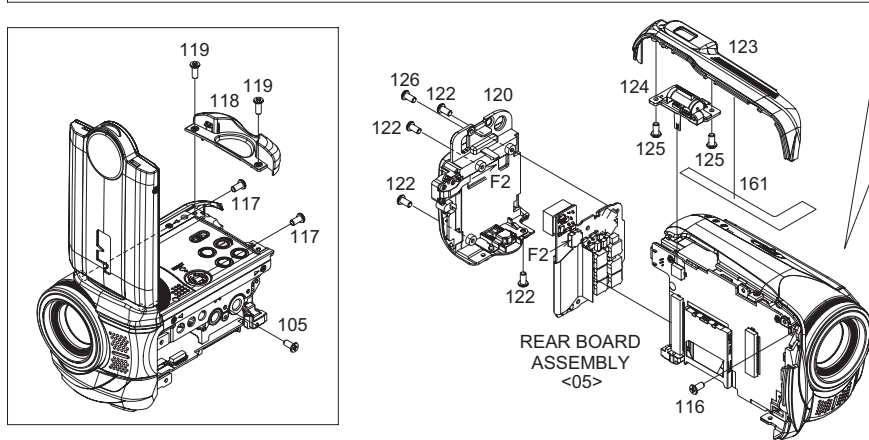
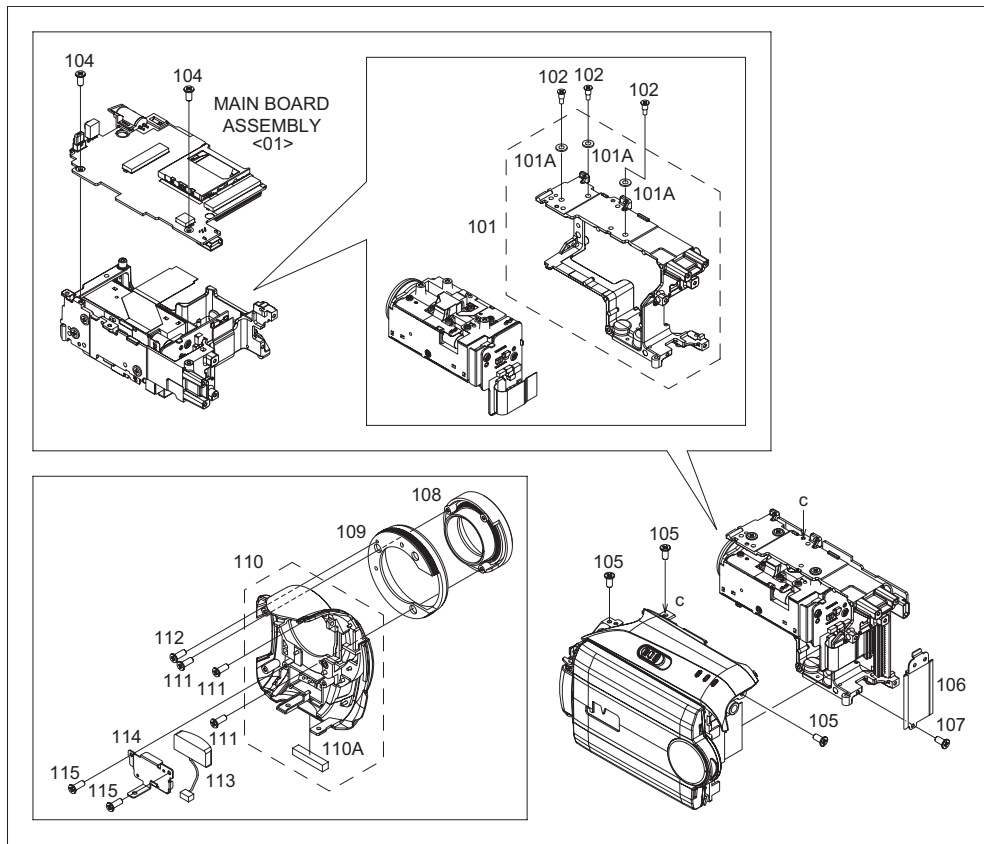
Parts that do not meet specifications may cause trouble in regard to safety and performance. We recommend that genuine JVC parts be used.

### 1. EXPLODED VIEW

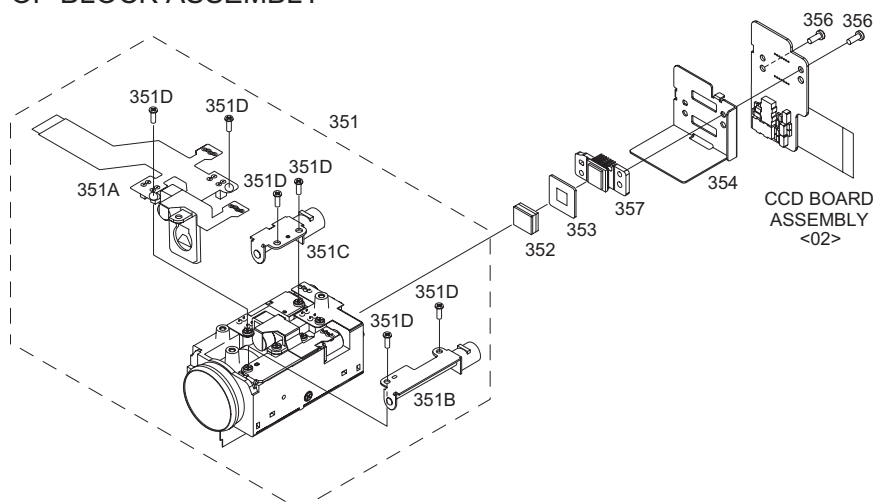
#### 1.1 FINAL ASSEMBLY<M1>

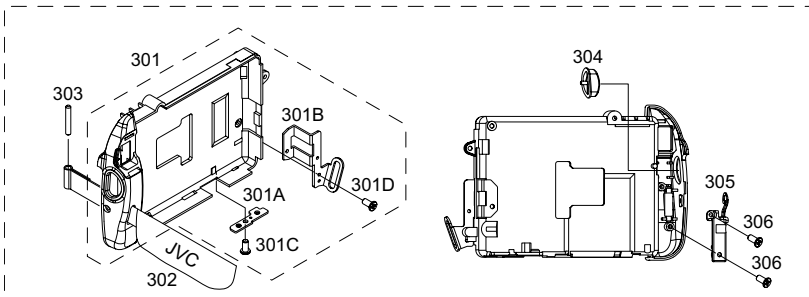
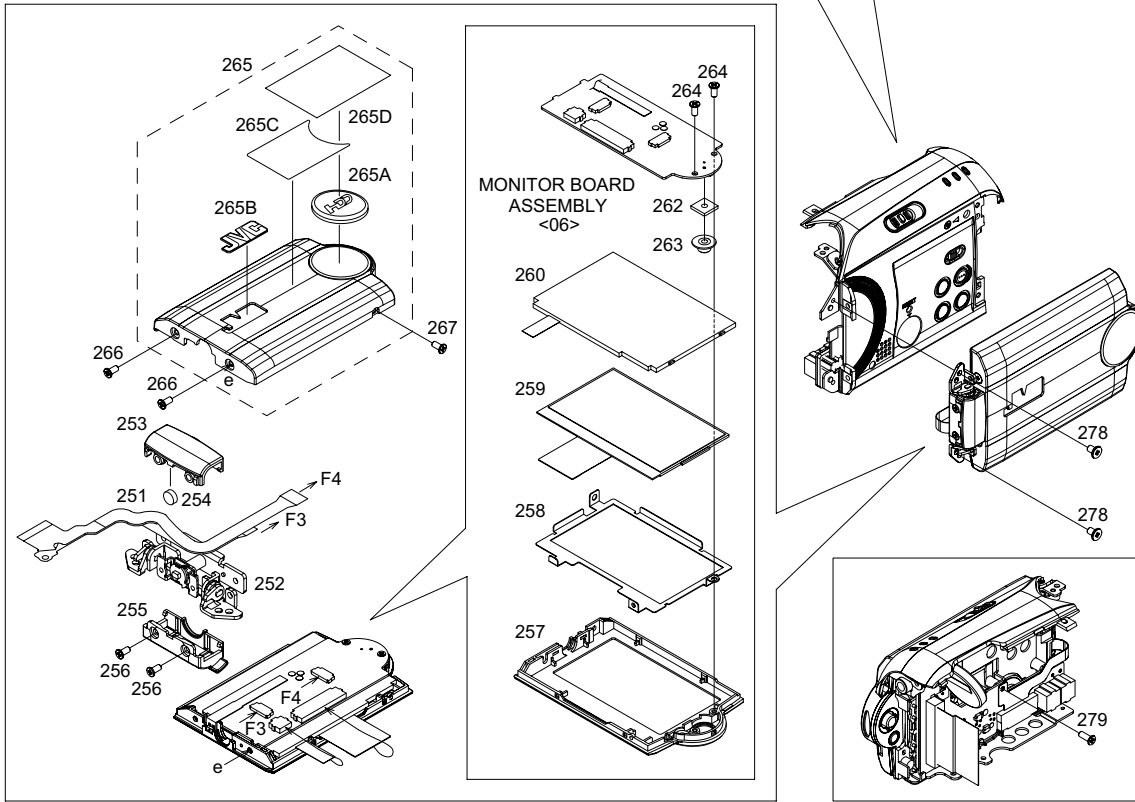
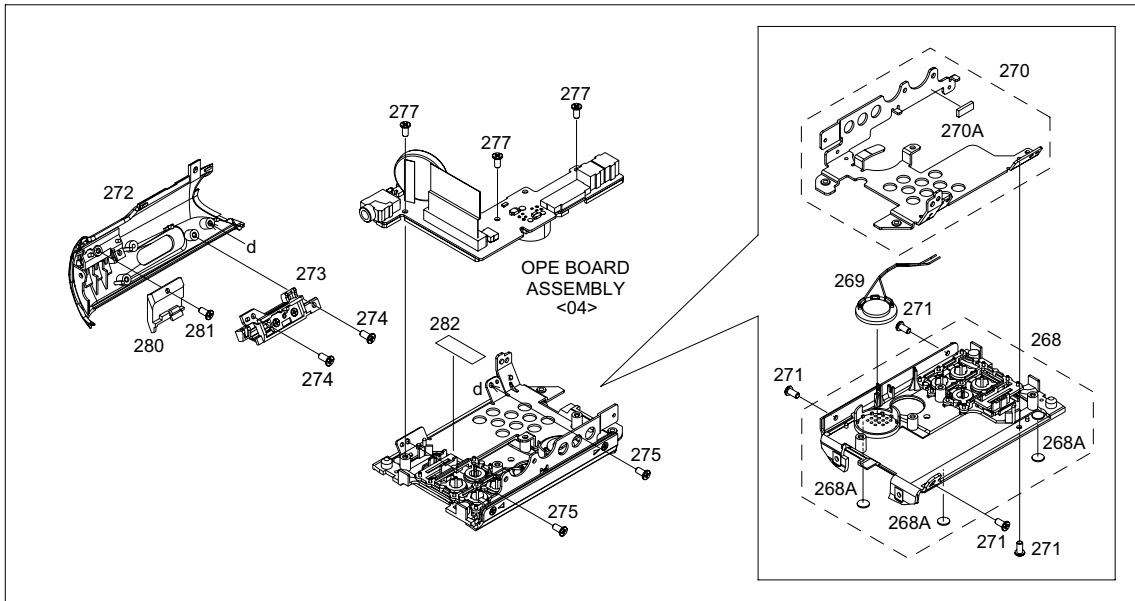
The instruction manual to be provided with this product will differ according to the destination.



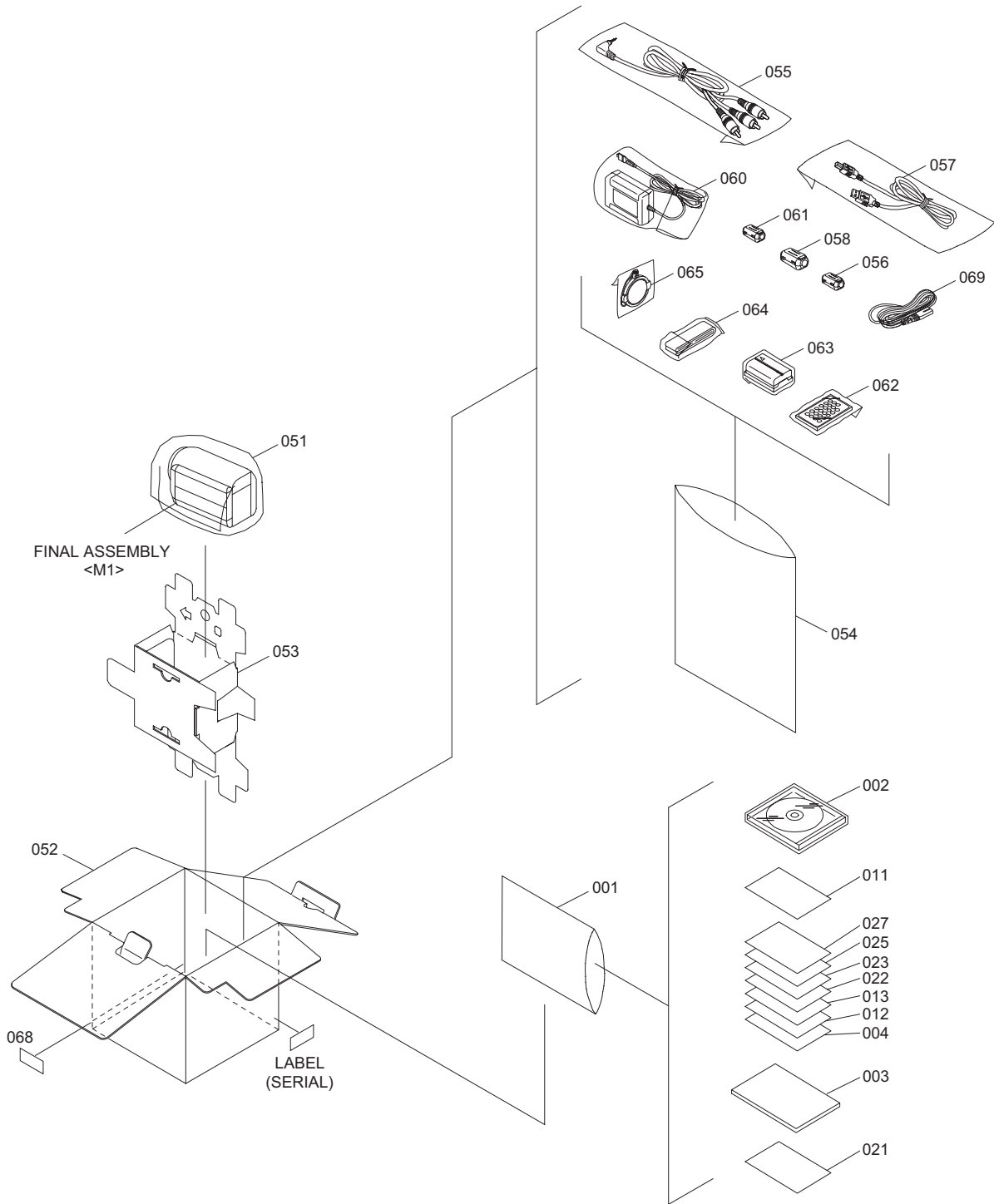


### OP BLOCK ASSEMBLY





## 1.2 PACKING AND ACCESSORY ASSEMBLY <M5>



MODEL	MARK	MODEL	MARK	MODEL	MARK
GZ-MG21EK	A	GZ-MG21EZ	D	GZ-MG26EY	G
GZ-MG21EX	B	GZ-MG24EG	E	GZ-MG26EZ	H
GZ-MG21EY	C	GZ-MG26EX	F	GZ-MG36EK	J

## 2. PARTS LIST

### FINAL ASSEMBLY <M1>

△ Symbol No.	Part No.	Part Name	Description	Local
101	LY35263-001B	FRAME ASSY		
101A	LY34799-002A	BUSH	(x3)	
102	LY30032-021A	SPECIAL SCREW	FRM-OP(x3)	
104	LY30031-0K7A	SPECIAL SCREW	MAIN-FRM(x2)	
105	LY30031-0K7A	SPECIAL SCREW	UPPER-FRM(x4)	
106	LY35256-001A	SHIELD(FRAME)		
107	LY30031-0K7A	SPECIAL SCREW	SHIELD-FRM	
108	LY35262-001A	HOOD		
109	LY35237-001C	RING		
110	LY35228-001C	F.COVER ASSY		J
110	LY35228-002D	F.COVER ASSY		A,B,C,D,F,G,H
110	LY35228-003D	F.COVER ASSY		E
110A	LY30035-031A	SPACER(A)		
111	LY30031-0L8B	SPECIAL SCREW	FRONT-HOOD(x3)	
112	LY30031-0K7A	SPECIAL SCREW	FRONT-RING	
113	LY35303-001A	MIC		
114	LY35268-001A	BKT(MIC)		
115	LY30031-0L8B	SPECIAL SCREW	BKT(MIC-FR)(x2)	
116	LY30031-0K7A	SPECIAL SCREW	FRONT-FRM	
117	LY30031-038A	SPECIAL SCREW	UPPER-FRON(x2)	
118	LY35215-001C	M.L.CASE ASSY		J
118	LY35215-002C	M.L.CASE ASSY		A,B,C,D,F,G,H
118	LY35215-003C	M.L.CASE ASSY		E
119	LY30031-0L8B	SPECIAL SCREW	MLOCK-UPPE(x2)	
△ 120	LY21491-001C	REAR UNIT		
122	LY30031-0K7A	SPECIAL SCREW	REAR-FRM(x4)	
123	LY21485-001A	TOP COVER(ZOOM)		
124	LY34990-001E	ZOOM UNIT		
125	LY30031-0L8B	SPECIAL SCREW	ZOOM-TOP(Z)(x2)	
126	LY30031-0K7A	SPECIAL SCREW	TOP(Z)-FRM	
128	LY30031-0K7A	SPECIAL SCREW	HCASE-FRM(x2)	
129	LY30031-0L8B	SPECIAL SCREW	HCASE-ZOOM	
130	LY30031-0L8B	SPECIAL SCREW	HCASE-REAR	
131	LY30031-0K7A	SPECIAL SCREW	FRONT-HCAS	
132	QAL0885-001	HDD	20G	A,B,C,D,E,F,G,H
132	QAL0885-002	HDD	30G	J
133	LY35388-001B	BKT(HDD)U ASSY		
133A	LY30035-033A	SPACER(A)		
134	LY35243-001A	BKT(HDD)ASSY		
134A	LY35244-001A	SHEET(HDD)		
135	LY35245-001A	GEL	(x2)	
136	LY21490-001A	HDD COVER		J
136	LY21490-002A	HDD COVER		A,B,C,D,E,F,G,H
137	LY30031-0K7A	SPECIAL SCREW	HCOV-HOOK	
138	LY30031-0K7A	SPECIAL SCREW	REAR(B-FRM)	
160	LY34189-018A	GASKET	SD	
161	LY45202-001A	SHIELD(ZOOM)		
163	LY34189-020A	GASKET	FPC	
201	LY35247-001B	B.COVER ASSY		
202	LY30031-0K7A	SPECIAL SCREW	BOTTOM(x3)	
203	LY35239-001A	JACK COVER(DC)		
204	LY35233-001A	JACK COVER(REAR)		
250	UU06E301K	U.UNIT ASSY	FOR JAPAN	A,B,C,D
250	UU06E3W04L	U.UNIT ASSY	FOR JAPAN	E
250	UU06E3W05L	U.UNIT ASSY	FOR JAPAN	J
250	UU06E3W09D	U.UNIT ASSY	FOR JAPAN	F,G,H
251	QAL0806-001	FPC	MONI-OPE	
252	LY35075-001A	HINGE UNIT	YEM	
253	LY35219-001C	HINGE COVER(U)		J
253	LY35219-002C	HINGE COVER(U)		A,B,C,D,F,G,H
253	LY35219-003C	HINGE COVER(U)		E
254	LY43413-001A	P.C.MAGNET		
255	LY35220-001C	HINGE COVER(L)		E,J
255	LY35220-002C	HINGE COVER(L)		A,B,C,D,F,G,H
256	LY30031-0K7A	SPECIAL SCREW	HCOV-HINGE(x2)	
257	LY35213-001C	MONI.CASE ASSY		J
257	LY35213-002C	MONI.CASE ASSY		F,G,H
257	LY35213-003C	MONI.CASE ASSY		A,B,C,D
257	LY35213-010C	MONI.CASE ASSY		E
258	LY21475-001B	LCD BKT(WIDE)	16:9	E,F,G,H,J
258	LY21476-001C	LCD BKT	4:3	A,B,C,D
259	QLD0359-001	LCD MODULE	4:3	A,B,C,D
259	QLD0417-002	LCD MODULE	16:9	E,F,G,H,J
260	QLL0174-002	BACK LIGHT	4:3	A,B,C,D

△ Symbol No.	Part No.	Part Name	Description	Local
260	QLL0178-002	BACK LIGHT	16:9	E,F,G,H,J
262	LY45193-001A	SPACER(CURSOL)		
263	LY45166-001C	KNOB(CURSOL)		
264	LY30031-0L8B	SPECIAL SCREW	PWB-M.CASE(x2)	
265	LY35221-001D	MONI.COVER ASSY		J
265	LY35221-002D	MONI.COVER ASSY		F,G,H
265	LY35221-003D	MONI.COVER ASSY		A,B,C,D
265	LY35221-013D	MONI.COVER ASSY		E
265A	LY45165-001A	MARK(HDD)		
265B	LY45126-001B	JVC MARK		
265C	LY35260-001A	STICKER		J
265C	LY35260-002A	STICKER		A,B,C,D,E,F,G,H
265D	LY45216-001A	PROTECT SHEET		
266	LY30031-0K6A	SPECIAL SCREW	MCOV-HINGE(x2)	
267	LY30031-0K7A	SPECIAL SCREW	MCOV-LBKT	
268	LY21478-001D	U.CASE ASSY		J
268	LY21478-002D	U.CASE ASSY		A,B,C,D,F,G,H
268	LY21478-017A	U.CASE ASSY		E
268A	LY42350-001A	FOOT	(x3)	
269	QAS0429-001	SPEAKER		
270	LY35416-001A	BKT(UPPER)ASSY		
270A	LY30035-039A	SPACER(A)		
271	LY30031-0K7A	SPECIAL SCREW	UC-BKT(U)(x4)	
272	LY35234-003A	T.COVER(U) ASSY		A,B,C,D,E,F,G,H
272	LY35234-004A	T.COVER(U) ASSY		J
273	LY35224-001C	POWER SW ASSY		J
273	LY35224-002C	POWER SW ASSY		A,B,C,D,E,F,G,H
274	LY30031-0L8B	SPECIAL SCREW	POW-TOP(U)(x2)	
275	LY30031-0L8B	SPECIAL SCREW	BKT(U-TOP)(x2)	
277	LY30031-060A	SPECIAL SCREW	PWB-UPPER(x3)	
278	LY30031-0K6A	SPECIAL SCREW	HING-BKT(U)(x2)	
279	LY30031-060A	SPECIAL SCREW	FPC-UPPER	
280	LY35236-001A	INTERRUPTER		
281	LY30031-0L8B	SPECIAL SCREW	INTER-TOP	
282	LY45112-001A	HEAT SHEET		
△ 300	CU06E301A	C(BELT)UNITASSY	FOR JAPAN	
△ 301	LY35238-001C	HDD CASE ASSY		
301A	LY35022-201A	BKT(BOTTOM)		
301B	LY35241-001A	HOOK(G.B)		
301C	LY30031-0L6A	SPECIAL SCREW	BKT(BTM)	
301D	LY30031-0L6A	SPECIAL SCREW	HOOK	
302	LY21416-001B	GRIP BELT		
303	LY34997-001A	SHAFT(G.B)		
304	LY35240-001B	BUTTON(TRIG)		
305	LY35242-001B	HOLDER(SHAFT)		
306	LY30031-0L8B	SPECIAL SCREW	HOLDER(SH)(x2)	
351	LY35161-002A	OP BLOCK ASSY		
351A	PTY35161-206	AUTO IRIS UNIT		
351B	PTY35161-101	ZOOM MOTOR UNIT		
351C	PTY35161-102	FOCUS MOTOR UNIT		
351D	PTY35161-535	TAPPING SCREW	(x6)	
352	LY45144-001A	OPTICAL LPF		
353	LY45175-001A	SHEET		
354	LY35257-001A-ML	SHIELD CCD	JPN	
356	LY30031-0J7A	SPECIAL SCREW	(x2)	
357	LYH30667-002A	CCD BASE ASSY		

### PACKING AND ACCESSORY ASSEMBLY <M5>

△ Symbol No.	Part No.	Part Name	Description	Local
001	LY34452-001A	POLY BAG	DOCUMENT	
002	LY35273-003A-S	CD ROM ASSY		
△ 003	LYT1537-001B	INST BOOK(EN)	(ENGLISH)	A,J
△ 003	LYT1537-002B	INST BOOK(GE)	(GERMAN)	B,C,F,G
△ 003	LYT1537-003B	INST BOOK(FR)	(FRENCH)	B,F
△ 003	LYT1537-004B	INST BOOK(DU)	(DUTCH)	B,F
△ 003	LYT1537-005B	INST BOOK(SP)	(SPANISH)	B,F
△ 003	LYT1537-006B	INST BOOK(IT)	(ITALIAN)	B,F
△ 003	LYT1537-007B	INST BOOK(DA)	(DANISH)	C,G
△ 003	LYT1537-008B	INST BOOK(FI)	(FINN)	C,G
△ 003	LYT1537-009B	INST BOOK(SW)	(SWEDISH)	C,G
△ 003	LYT1537-010B	INST BOOK(NO)	(NORWEGIAN)	C,G
△ 003	LYT1537-011B	INST BOOK(RU)	(RUSSIAN)	D,H

MODEL	MARK	MODEL	MARK	MODEL	MARK
GZ-MG21EK	A	GZ-MG21EZ	D	GZ-MG26EY	G
GZ-MG21EX	B	GZ-MG24EG	E	GZ-MG26EZ	H
GZ-MG21EY	C	GZ-MG26EX	F	GZ-MG36EK	J

Symbol No.	Part No.	Part Name	Description	Local
△ 003	LYT1537-012B	INST BOOK(CZ)	(CZECH)	D,H
△ 003	LYT1537-013B	INST BOOK(PO)	(PORTUGUESE)	D,H
△ 003	LYT1537-014B	INST BOOK(HU)	(HUNGARIAN)	D,H
△ 003	LYT1537-015B	INST BOOK(PT)	(PORTUGUESE)	B,F
△ 003	LYT1563-001B	INST BOOK(GE)	(GERMAN)	E
004	LYT1538-001A	INST BOOK(SOFT.EN)	(SOFT.ENGLISH)	A,J
004	LYT1538-002B	INST BOOK(SOFT.GEFRDU)	(SOFT.GERMAN FRENCH DUTCH)	B,F
004	LYT1538-003A	INST BOOK(SOFT.SPITPT)	(SOFT.SPANISH ITALIAN PORTUGUESE)	B,F
004	LYT1538-004A	INST BOOK(SOFT.GEDAFI)	(SOFT.GERMAN DANISH FINN)	C,G
004	LYT1538-005A	INST BOOK(SOFT.SWNO)	(SOFT.SWEDISH NORWEGIAN)	C,G
004	LYT1538-006A	INST BOOK(SOFT.RUCZ)	(SOFT.RUSSIAN CZECH)	D,H
004	LYT1538-007A	INST BOOK(SOFT.POHU)	(SOFT.PORTUGUESE HUNGARIAN)	D,H
004	LYT1538-008A	INST BOOK(SOFT.GE)	(SOFT.GERMAN)	E
011	-----	WARRANTY CARD	BT-54029-1CAM	
012	LYT0194-001B	Q.CARD		A,J
013	YU30878	REG. CARD		A,J
021	LY35385-003A	SHEET(ACC GUIDE)		
022	LYT1600-001A	SHEET(DVD.W.EN)		A,J
022	LYT1600-002A	SHEET(DVD.W.GE)		B,C,E,F,G
022	LYT1600-003A	SHEET(DVD.W.FR)		B,F
022	LYT1600-004A	SHEET(DVD.W.DU)		B,F
022	LYT1600-005A	SHEET(DVD.W.SP)		B,F
022	LYT1600-006A	SHEET(DVD.W.IT)		B,F
022	LYT1600-007A	SHEET(DVD.W.DA)		C,G
022	LYT1600-008A	SHEET(DVD.W.FI)		C,G
022	LYT1600-009A	SHEET(DVD.W.SW)		C,G
022	LYT1600-010A	SHEET(DVD.W.NO)		C,G
022	LYT1600-011A	SHEET(DVD.W.RU)		D,H
022	LYT1600-012A	SHEET(DVD.W.CZ)		D,H
022	LYT1600-013A	SHEET(DVD.W.PO)		D,H
022	LYT1600-014A	SHEET(DVD.W.HU)		D,H
022	LYT1600-018A	SHEET(DVD.W.PT)		B,F
023	LYT1601-001A	SHEET(DVD.M.EN)		A,J
023	LYT1601-002A	SHEET(DVD.M.GE)		B,C,E,F,G
023	LYT1601-003A	SHEET(DVD.M.FR)		B,F
023	LYT1601-004A	SHEET(DVD.M.DU)		B,F
023	LYT1601-005A	SHEET(DVD.M.SP)		B,F
023	LYT1601-006A	SHEET(DVD.M.IT)		B,F
023	LYT1601-007A	SHEET(DVD.M.DA)		C,G
023	LYT1601-008A	SHEET(DVD.M.FI)		C,G
023	LYT1601-009A	SHEET(DVD.M.SW)		C,G
023	LYT1601-010A	SHEET(DVD.M.NO)		C,G
023	LYT1601-011A	SHEET(DVD.M.RU)		D,H
023	LYT1601-012A	SHEET(DVD.M.CZ)		D,H
023	LYT1601-013A	SHEET(DVD.M.PO)		D,H
023	LYT1601-014A	SHEET(DVD.M.HU)		D,H
023	LYT1601-018A	SHEET(DVD.M.PT)		B,F
025	LY35208-001A	SHEET(E-SHOP)		A,J
027	LYT1607-001A	SHEET(ATT.)		
051	LY30023-003A	POLY BAG	FOR YSK	
052	LY35251-005A	PACKING CASE	PRODUCTION	J
052	LY35251-006A	PACKING CASE	PRODUCTION	A,B,C,D,F,G,H
052	LY35251-014A	PACKING CASE	PRODUCTION	E
053	LY21420-001A	CUSHION		
054	QPA02503505P	POLY BAG	ACC. 25cm x 35cm	
055	QAM0508-001	A/V CABLE	FILTER	
056	QQR0918-004	CORE FILTER	AV	
057	QAM0719-001	USB CABLE		
058	QQR0491-004	CORE FILTER	USB 1T	
△ 060	LY21104-001E	AC ADAPTER	AP-V14E	A,J
△ 060	LY21343-001B	AC ADAPTER	AP-V17E	B,C,D,E,F,G,H
061	QQR0917-004	CORE FILTER	DC	
062	LY21430-003A	REMOTE CTL UNIT	RM-V730UE	
△ 063	LY34647-002B	BATTERY PACK	BN-VF707U	
064	LY21397-002A	SHOULDER STRAP		
065	LY34811-001B	HOOD CAP ASSY		
068	LY45161-002A-ML	LABEL	JPN A,B,C,D,F,G,H,J	
068	LY45161-002A	LABEL		E
△ 069	QMPP210-190-JR	POWER CORD	BS PLUG	A,J

### MAIN BOARD ASSEMBLY <01>

Symbol No.	Part No.	Part Name	Description	Local
PW1	LYA10071-02D	MAIN BOARD ASSY		

Symbol No.	Part No.	Part Name	Description	Local
IC121	NAL0035-001X	SHOCK SENSOR		
IC171	KSM-2003LN2E	IR DETECT UNIT		
IC1001	MN102H60GJD	IC(MICRO C ROM)	MASK	
IC1001 or	MN102HF60GJD	IC(MICRO C ROM)	MP FLASH	
IC1002	RS5C314-X	IC		
IC1003	S-80827C9NNB-G-W	IC		
IC1004	SN74AHC1G08DC-X	IC(DIGITAL)		
IC1004 or	74AHC1G08GW-X	IC		
IC1004 or	TC7SH08FU-X	IC(DIGITAL)		
IC1005	SN74AHC1G04DC-X	IC(DIGITAL)		
IC1005 or	TC7SH04FU-X	IC(DIGITAL)		
IC1007	TC75S56FU-X	IC		
IC1007 or	NJU7108F3-X	IC		
IC2201	AK4660VQ	IC	48P0.5	
IC2201 or	AK4664VQ	IC		
IC3001	UPD61152F1-A03	IC(MICRO C ROM)		
IC3002	K4S28323LF-HN75	IC	128M 32BIT	
IC3201	JCP8075	IC		
IC3202	MB90099PFV139EX	IC(MICRO C ROM)		
IC3204	R1100D251C-X	IC		
IC3701	BH7612FV-X	IC		
IC4001	SIP1280ISD-DVA3	IC		
IC4001 or	SIP1280ISD-DVA2	IC		
IC4003	R1114N331B-X	IC		
IC4201	NN12072A-X	IC	TG/CDS/AD	
IC4301	SG32A90BFIR4B02	IC(MICRO C ROM)		
IC4303	K4S56323LF-HN75	IC	256M FBGA	
IC4304	R1114N251B-X	IC	SREG2.5V	
IC4401	JCY0231	IC	STD SELL	
IC4403	MM3142FN-X	IC	2.5V REG	
IC4501	JCY0209-2	IC	PREPROCESS	
IC4502	M95320-WDW6-X	IC	EEPROM	
IC4901	JCY0223-X	IC		
Q131	DTC144EE-X	TRANSISTOR		
Q131 or	BCR148T-X	DIGI TRANSISTOR		
Q131 or	UN9213J-X	DIGI TRANSISTOR		
Q171	RPM-22PB	PHOTO TRANSISTOR		
Q421	UMZ1N-W	PAIR TRANSISTOR	LIGHT LED	
Q421 or	PUMZ1-W	PAIR TRANSISTOR	LIGHT LED	
Q421 or	XP4601-W	PAIR TRANSISTOR	LIGHT LED	
Q422	DTC143XE-X	DIGI TRANSISTOR	LIGHT LED	
Q422 or	UN921FJ-X	DIGI TRANSISTOR	LIGHT LED	
Q422 or	KRC419E-X	DIGI TRANSISTOR	LIGHT LED	
Q422 or	RT1N432U-X	DIGI TRANSISTOR	LIGHT LED	
Q1001	DTC124EE-X	DIGI TRANSISTOR		
Q1002	2SC4617/RS/-X	TRANSISTOR		
Q1002 or	2SD2216J/RS/-X	TRANSISTOR		
Q1002 or	BC847BT-X	TRANSISTOR		
Q1003	DTA124EE-X	DIGI TRANSISTOR		
Q1004	2SC4617/RS/-X	TRANSISTOR		
Q1004 or	2SD2216J/RS/-X	TRANSISTOR		
Q1004 or	BC847BT-X	TRANSISTOR		
Q1005	2SJ347-X	MOS FET		
Q1006	DTA124EE-X	DIGI TRANSISTOR		
Q2202	UMX18N-W	PAIR TRANSISTOR		
Q2401	2SC4617/QR/-X	TRANSISTOR		
Q2401 or	BC847BT-X	TRANSISTOR		
Q2403	2SC4617/QR/-X	TRANSISTOR		
Q2403 or	BC847BT-X	TRANSISTOR		
Q3202	2SC4617/QR/-X	TRANSISTOR		
Q3202 or	BC847BT-X	TRANSISTOR		
Q3701	UMZ1N-W	PAIR TRANSISTOR		
Q3701 or	PUMZ1-W	PAIR TRANSISTOR		
Q3701 or	XP4601-W	PAIR TRANSISTOR		
Q4001	2SC4617/RS/-X	TRANSISTOR		
Q4001 or	BC847BT-X	TRANSISTOR		
Q4001 or	2SD2216J/RS/-X	TRANSISTOR		
Q7801	UMX1N-W	PAIR TRANSISTOR		
Q7801 or	BC847S-X	PAIR TRANSISTOR		
Q7801 or	PUMX1-W	PAIR TRANSISTOR		
Q7801 or	XP4501-W	PAIR TRANSISTOR		
Q7802	UMX1N-W	PAIR TRANSISTOR		
Q7802 or	BC847S-X	PAIR TRANSISTOR		
Q7802 or	PUMX1-W	PAIR TRANSISTOR		
Q7802 or	XP4501-W	PAIR TRANSISTOR		
Q7803	UMX1N-W	PAIR TRANSISTOR		
Q7803 or	BC847S-X	PAIR TRANSISTOR		

MODEL	MARK	MODEL	MARK	MODEL	MARK
GZ-MG21EK	A	GZ-MG21EZ	D	GZ-MG26EY	G
GZ-MG21EX	B	GZ-MG24EG	E	GZ-MG26EZ	H
GZ-MG21EY	C	GZ-MG26EX	F	GZ-MG36EK	J

△ Symbol No.	Part No.	Part Name	Description	Local	△ Symbol No.	Part No.	Part Name	Description	Local
Q7803	or PUMX1-W	PAIR TRANSISTOR			C3016	NCBA1AK-104W	C CAPACITOR	0.1uF 10V K	
Q7803	or XP4501-W	PAIR TRANSISTOR			C3019	NCB20JM-475X	C CAPACITOR	4.7uF 6.3V M	
△ D191	RB715W-X	SB DIODE			C3020	NCBA1CK-103W	C CAPACITOR	0.01uF 16V K	
D421	NSPW500CS/C0TU/	LED	LIGHT LED		C3021	NCBA1AK-104W	C CAPACITOR	0.1uF 10V K	
D1001	DA221-X	SI DIODE			C3022	NCBA1HK-102W	C CAPACITOR	1000pF 50V K	
D1002	1SS376-X	SI DIODE			C3023	NCBA1AK-104W	C CAPACITOR	0.1uF 10V K	
D3701	UMZ6.8EN-W	Z DIODE			C3024	NCBA1CK-103W	C CAPACITOR	0.01uF 16V K	
D4003	1SS376-X	SI DIODE			C3201	NCBA1CK-103W	C CAPACITOR	0.01uF 16V K	
D4201	1SS355-X	SI DIODE			C3202	NCBA1CK-103W	C CAPACITOR	0.01uF 16V K	
D4201	or MA111-X	SI DIODE			C3203	NCBA1CK-103W	C CAPACITOR	0.01uF 16V K	
D4201	or 1SS352-X	SI DIODE			C3204	NCBA1CK-103W	C CAPACITOR	0.01uF 16V K	
C111	NBE40JM-476X	TA E CAPACITOR	47uF 6.3V M		C3205	NCBA1AK-104W	C CAPACITOR	0.1uF 10V K	
C122	NCBA1AK-104W	C CAPACITOR	0.1uF 10V K		C3206	NCBA1AK-104W	C CAPACITOR	0.1uF 10V K	
C141	NBE20JM-106X	TA E CAPACITOR	10uF 6.3V M		C3207	NCBA1CK-103W	C CAPACITOR	0.01uF 16V K	
C142	NCBA1AK-104W	C CAPACITOR	0.1uF 10V K		C3208	NCB30JK-105X	C CAPACITOR	1uF 6.3V K	
C171	NBE20JM-106X	TA E CAPACITOR	10uF 6.3V M		C3209	NCBA1AK-104W	C CAPACITOR	0.1uF 10V K	
C172	NBE20JM-106X	TA E CAPACITOR	10uF 6.3V M		C3210	NCBA1AK-104W	C CAPACITOR	0.1uF 10V K	
C1001	NCBA1AK-104W	C CAPACITOR	0.1uF 10V K		C3211	NCB30JK-105X	C CAPACITOR	1uF 6.3V K	
C1004	NCBA1AK-104W	C CAPACITOR	0.1uF 10V K		C3212	NRSAGAJ-0R0W	MG RESISTOR	0Ω 1/16W J	
C1005	NBE20JM-106X	TA E CAPACITOR	10uF 6.3V M		C3216	NCBA1AK-104W	C CAPACITOR	0.1uF 10V K	
C1006	NDCA1HJ-7R0W	C CAPACITOR	7pF 50V J		C3217	NCBA1AK-104W	C CAPACITOR	0.1uF 10V K	
C1008	NCBA1CK-103W	C CAPACITOR	0.01uF 16V K		C3218	NCBA1CK-103W	C CAPACITOR	0.01uF 16V K	
C1013	NCBA1CK-103W	C CAPACITOR	0.01uF 16V K		C3219	NCBA1AK-104W	C CAPACITOR	0.1uF 10V K	
C1014	NCBA1CK-103W	C CAPACITOR	0.01uF 16V K		C3220	NCB20JM-475X	C CAPACITOR	4.7uF 6.3V M	
C1015	NCBA1CK-103W	C CAPACITOR	0.01uF 16V K		C3224	NCB30JK-105X	C CAPACITOR	1uF 6.3V K	
C1016	NCBA1CK-103W	C CAPACITOR	0.01uF 16V K		C3225	NCB30JK-105X	C CAPACITOR	1uF 6.3V K	
C1017	NCBA1CK-103W	C CAPACITOR	0.01uF 16V K		C3227	NCB30JK-105X	C CAPACITOR	1uF 6.3V K	
C1018	NCBA1CK-103W	C CAPACITOR	0.01uF 16V K		C3701	NBE20JM-106X	TA E CAPACITOR	10uF 6.3V M	
C1020	NCBA1CK-103W	C CAPACITOR	0.01uF 16V K		C3702	NCBA1AK-104W	C CAPACITOR	0.1uF 10V K	
C1025	NCBA1AK-104W	C CAPACITOR	0.1uF 10V K		C3703	NCB30JK-105X	C CAPACITOR	1uF 6.3V K	
C1026	NCBA1AK-104W	C CAPACITOR	0.1uF 10V K		C3704	NCBA1CK-103W	C CAPACITOR	0.01uF 16V K	
C1031	NCF31AZ-105X	C CAPACITOR	1uF 10V Z		C3705	NCBA1CK-103W	C CAPACITOR	0.01uF 16V K	
C1034	NCBA1CK-103W	C CAPACITOR	0.01uF 16V K		C4002	NBE20JM-106X	TA E CAPACITOR	10uF 6.3V M	
C1043	NCBA1CK-103W	C CAPACITOR	0.01uF 16V K		C4003	NBE20JM-106X	TA E CAPACITOR	10uF 6.3V M	
C1044	NCBA1CK-103W	C CAPACITOR	0.01uF 16V K		C4004	NBE20GM-476X	TA E CAPACITOR	47uF 4V M	
C1045	NCBA1CK-103W	C CAPACITOR	0.01uF 16V K		C4008	NCBA1CK-103W	C CAPACITOR	0.01uF 16V K	
C1046	NCBA1AK-104W	C CAPACITOR	0.1uF 10V K		C4009	NCBA1AK-104W	C CAPACITOR	0.1uF 10V K	
C2202	NCB30JK-105X	C CAPACITOR	1uF 6.3V K		C4010	NCBA1AK-104W	C CAPACITOR	0.1uF 10V K	
C2203	NCB30JK-105X	C CAPACITOR	1uF 6.3V K		C4011	NCBA1HK-102W	C CAPACITOR	1000pF 50V K	
C2204	NCB30JK-105X	C CAPACITOR	1uF 6.3V K		C4012	NCBA1CK-103W	C CAPACITOR	0.01uF 16V K	
C2205	NCB30JK-105X	C CAPACITOR	1uF 6.3V K		C4013	NCBA1AK-104W	C CAPACITOR	0.1uF 10V K	
C2209	NCB30JK-105X	C CAPACITOR	1uF 6.3V K		C4014	NCBA1HK-102W	C CAPACITOR	1000pF 50V K	
C2210	NCB30JK-105X	C CAPACITOR	1uF 6.3V K		C4015	NCBA1CK-103W	C CAPACITOR	0.01uF 16V K	
C2217	NCBA1AK-104W	C CAPACITOR	0.1uF 10V K		C4016	NCBA1AK-104W	C CAPACITOR	0.1uF 10V K	
C2218	NCBA1AK-104W	C CAPACITOR	0.1uF 10V K		C4017	NCBA1CK-103W	C CAPACITOR	0.01uF 16V K	
C2223	NCBA1AK-104W	C CAPACITOR	0.1uF 10V K		C4018	NCBA1AK-104W	C CAPACITOR	0.1uF 10V K	
C2224	NCBA1AK-104W	C CAPACITOR	0.1uF 10V K		C4019	NCBA1AK-104W	C CAPACITOR	0.1uF 10V K	
C2401	NBE20JM-106X	TA E CAPACITOR	10uF 6.3V M		C4020	NCBA1HK-102W	C CAPACITOR	1000pF 50V K	
C2402	NBE20JM-106X	TA E CAPACITOR	10uF 6.3V M		C4021	NCBA1CK-103W	C CAPACITOR	0.01uF 16V K	
C2403	NBE20JM-106X	TA E CAPACITOR	10uF 6.3V M		C4022	NCBA1AK-104W	C CAPACITOR	0.1uF 10V K	
C2404	NBE20JM-106X	TA E CAPACITOR	10uF 6.3V M		C4023	NCBA1HK-102W	C CAPACITOR	1000pF 50V K	
C2405	NCBA1AK-104W	C CAPACITOR	0.1uF 10V K		C4024	NCBA1CK-103W	C CAPACITOR	0.01uF 16V K	
C2406	NBE20JM-106X	TA E CAPACITOR	10uF 6.3V M		C4025	NCBA1AK-104W	C CAPACITOR	0.1uF 10V K	
C2603	NCBA1CK-223W	C CAPACITOR	0.022uF 16V K		C4026	NCBA1CK-103W	C CAPACITOR	0.01uF 16V K	
C2604	NCBA1CK-223W	C CAPACITOR	0.022uF 16V K		C4027	NCBA1AK-104W	C CAPACITOR	0.1uF 10V K	
C2605	NCBA1EK-472W	C CAPACITOR	4700pF 25V K		C4029	NCB30JK-105X	C CAPACITOR	1uF 6.3V K	
C2606	NCBA1EK-472W	C CAPACITOR	4700pF 25V K		C4031	NCB30JK-105X	C CAPACITOR	1uF 6.3V K	
C2611	NCB30JK-105X	C CAPACITOR	1uF 6.3V K		C4032	NCBA1CK-103W	C CAPACITOR	0.01uF 16V K	
C2612	NCB30JK-105X	C CAPACITOR	1uF 6.3V K		C4034	NCBA1AK-104W	C CAPACITOR	0.1uF 10V K	
C2613	NCB30JK-105X	C CAPACITOR	1uF 6.3V K		C4201	NCB11EK-105X	C CAPACITOR	1uF 25V K	
C2623	NDCA1HJ-100W	C CAPACITOR	10pF 50V J		C4202	NCB31EK-104X	C CAPACITOR	0.1uF 25V K	
C2624	NDCA1HJ-100W	C CAPACITOR	10pF 50V J		C4203	NCB30JK-105X	C CAPACITOR	1uF 6.3V K	
C2655	NCBA1AK-104W	C CAPACITOR	0.1uF 10V K		C4204	NCB30JK-105X	C CAPACITOR	1uF 6.3V K	
C2656	NCBA1AK-104W	C CAPACITOR	0.1uF 10V K		C4205	NCB30JK-105X	C CAPACITOR	1uF 6.3V K	
C3004	NBE20JM-106X	TA E CAPACITOR	10uF 6.3V M		C4206	NCBA1AK-104W	C CAPACITOR	0.1uF 10V K	
C3005	NCBA1AK-104W	C CAPACITOR	0.1uF 10V K		C4208	NCB30JK-105X	C CAPACITOR	1uF 6.3V K	
C3006	NCBA1CK-103W	C CAPACITOR	0.01uF 16V K		C4209	NCB30JK-105X	C CAPACITOR	1uF 6.3V K	
C3007	NCBA1CK-103W	C CAPACITOR	0.01uF 16V K		C4210	NCB31CK-104X	C CAPACITOR	0.1uF 16V K	
C3008	NCBA1AK-104W	C CAPACITOR	0.1uF 10V K		C4211	NCBA1AK-104W	C CAPACITOR	0.1uF 10V K	
C3009	NCBA1AK-104W	C CAPACITOR	0.1uF 10V K		C4212	NCB20JM-475X	C CAPACITOR	4.7uF 6.3V M	
C3010	NCBA1AK-104W	C CAPACITOR	0.1uF 10V K		C4213	NCBA1AK-104W	C CAPACITOR	0.1uF 10V K	
C3011	NCBA1CK-103W	C CAPACITOR	0.01uF 16V K		C4214	NDCA1HJ-8R0W	C CAPACITOR	8pF 50V J	
C3012	NCBA1AK-104W	C CAPACITOR	0.1uF 10V K		C4215	NDCA1HJ-180W	C CAPACITOR	18pF 50V J	
C3013	NCBA1CK-103W	C CAPACITOR	0.01uF 16V K		C4216	NCB11CK-475X	C CAPACITOR	4.7uF 16V K	
C3014	NCBA1AK-104W	C CAPACITOR	0.1uF 10V K		C4217	NBP21CM-106X	TA E CAPACITOR	10uF 16V M	
C3015	NCBA1CK-103W	C CAPACITOR	0.01uF 16V K		C4218	NCB20JM-475X	C CAPACITOR	4.7uF 6.3V M	
					C4219	NCBA1AK-104W	C CAPACITOR	0.1uF 10V K	
					C4220	NCBA1AK-104W	C CAPACITOR	0.1uF 10V K	

MODEL	MARK	MODEL	MARK	MODEL	MARK
GZ-MG21EK	A	GZ-MG21EZ	D	GZ-MG26EY	G
GZ-MG21EX	B	GZ-MG24EG	E	GZ-MG26EZ	H
GZ-MG21EY	C	GZ-MG26EX	F	GZ-MG36EK	J

△ Symbol No.	Part No.	Part Name	Description	Local	△ Symbol No.	Part No.	Part Name	Description	Local
C4221	NCBA1AK-104W	C CAPACITOR	0.1uF 10V K		R111	NRSA6AJ-102W	MG RESISTOR	1kΩ 1/16W J	
C4224	NBE20JM-476X	TA E CAPACITOR	47uF 6.3V M		R112	NRSA6AJ-473W	MG RESISTOR	47kΩ 1/16W J	
C4225	NDCA1HJ-100W	C CAPACITOR	10pF 50V J		R113	NRSA6AJ-473W	MG RESISTOR	47kΩ 1/16W J	
C4301	NCB20JM-475X	C CAPACITOR	4.7uF 6.3V M		R114	NRSA6AJ-473W	MG RESISTOR	47kΩ 1/16W J	
C4302	NCBA1AK-104W	C CAPACITOR	0.1uF 10V K		R115	NRSA6AJ-473W	MG RESISTOR	47kΩ 1/16W J	
C4305	NCB20JM-475X	C CAPACITOR	4.7uF 6.3V M		R131	NRSA6AJ-473W	MG RESISTOR	47kΩ 1/16W J	
C4306	NCBA1HK-102W	C CAPACITOR	1000pF 50V K		R141	NRSA6AJ-473W	MG RESISTOR	47kΩ 1/16W J	
C4307	NCBA1CK-103W	C CAPACITOR	0.01uF 16V K		R142	NRSA6AJ-473W	MG RESISTOR	47kΩ 1/16W J	
C4308	NCBA1AK-104W	C CAPACITOR	0.1uF 10V K		R143	NRSA6AJ-473W	MG RESISTOR	47kΩ 1/16W J	
C4309	NCBA1CK-103W	C CAPACITOR	0.01uF 16V K		R144	NRSA6AJ-473W	MG RESISTOR	47kΩ 1/16W J	
C4310	NCBA1AK-104W	C CAPACITOR	0.1uF 10V K		R145	NRSA6AJ-473W	MG RESISTOR	47kΩ 1/16W J	
C4351	NCB30JK-105X	C CAPACITOR	1uF 6.3V K		R146	NRSA6AJ-473W	MG RESISTOR	47kΩ 1/16W J	
C4352	NCB30JK-105X	C CAPACITOR	1uF 6.3V K		R147	NRSA6AJ-103W	MG RESISTOR	10kΩ 1/16W J	
C4401	NCB20JM-475X	C CAPACITOR	4.7uF 6.3V M		R148	NRSA6AJ-220W	MG RESISTOR	22Ω 1/16W J	
C4402	NCBA1AK-104W	C CAPACITOR	0.1uF 10V K		R149	NRSA6AJ-220W	MG RESISTOR	22Ω 1/16W J	
C4403	NCBA1AK-104W	C CAPACITOR	0.1uF 10V K		R150	NRSA6AJ-220W	MG RESISTOR	22Ω 1/16W J	
C4404	NCBA1AK-104W	C CAPACITOR	0.1uF 10V K		R151	NRSA6AJ-220W	MG RESISTOR	22Ω 1/16W J	
C4405	NCBA1AK-104W	C CAPACITOR	0.1uF 10V K		R167	NRSA6AJ-0R0W	MG RESISTOR	0Ω 1/16W J	
C4406	NCBA1AK-104W	C CAPACITOR	0.1uF 10V K		R169	NRSA63J-0R0X	MG RESISTOR	0Ω 1/16W J	
C4407	NCB20JM-475X	C CAPACITOR	4.7uF 6.3V M		R170	NRSA63J-0R0X	MG RESISTOR	0Ω 1/16W J	
C4411	NCB30JK-105X	C CAPACITOR	1uF 6.3V K		R171	NRSA6AJ-0R0W	MG RESISTOR	0Ω 1/16W J	
C4412	NCB30JK-105X	C CAPACITOR	1uF 6.3V K		R172	NRSA6AJ-332W	MG RESISTOR	3.3kΩ 1/16W J	
C4501	NCBA1AK-104W	C CAPACITOR	0.1uF 10V K		△ R191	NRSA63J-102X	MG RESISTOR	1kΩ 1/16W J	
C4503	NCBA1CK-103W	C CAPACITOR	0.01uF 16V K		R196	NRSA6AJ-0R0W	MG RESISTOR	0Ω 1/16W J	
C4504	NCBA1AK-104W	C CAPACITOR	0.1uF 10V K		R197	NRSA6AJ-0R0W	MG RESISTOR	0Ω 1/16W J	
C4505	NCB20JM-475X	C CAPACITOR	4.7uF 6.3V M		R198	NRSA6AJ-0R0W	MG RESISTOR	0Ω 1/16W J	
C4506	NCBA1AK-104W	C CAPACITOR	0.1uF 10V K		R421	NRSA6AJ-152W	MG RESISTOR	1.5kΩ 1/16W J	
C4507	NCBA1AK-104W	C CAPACITOR	0.1uF 10V K		R422	NRSA6AJ-182W	MG RESISTOR	1.8kΩ 1/16W J	
C4510	NCBA1AK-104W	C CAPACITOR	0.1uF 10V K		R423	NRSA6AJ-391W	MG RESISTOR	390Ω 1/16W J	
C4511	NCB20JM-475X	C CAPACITOR	4.7uF 6.3V M		R424	NRSA6AJ-220W	MG RESISTOR	22Ω 1/16W J	
C4513	NCBA1CK-103W	C CAPACITOR	0.01uF 16V K		R1001	NRSA6AJ-104W	MG RESISTOR	100kΩ 1/16W J	
C4514	NCBA1CK-103W	C CAPACITOR	0.01uF 16V K		R1003	NRSA6AJ-222W	MG RESISTOR	2.2kΩ 1/16W J	
C4517	NCBA1CK-103W	C CAPACITOR	0.01uF 16V K		R1004	NRSA6AJ-222W	MG RESISTOR	2.2kΩ 1/16W J	
C4518	NCBA1CK-103W	C CAPACITOR	0.01uF 16V K		R1005	NRSA6AJ-222W	MG RESISTOR	2.2kΩ 1/16W J	
C4519	NCBA1CK-103W	C CAPACITOR	0.01uF 16V K		R1006	NRSA6AJ-472W	MG RESISTOR	4.7kΩ 1/16W J	
C4521	NCB30JK-105X	C CAPACITOR	1uF 6.3V K		R1007	NRSA6AJ-472W	MG RESISTOR	4.7kΩ 1/16W J	
C4522	NCBA1AK-104W	C CAPACITOR	0.1uF 10V K		R1008	NRSA6AJ-102W	MG RESISTOR	1kΩ 1/16W J	
C4523	NCBA1AK-104W	C CAPACITOR	0.1uF 10V K		R1009	NRSA6AJ-681W	MG RESISTOR	680Ω 1/16W J	
C4524	NCB20JM-475X	C CAPACITOR	4.7uF 6.3V M		R1010	NRSA6AJ-221W	MG RESISTOR	220Ω 1/16W J	
C4525	NCB20JM-475X	C CAPACITOR	4.7uF 6.3V M		R1016	NRSA6AJ-222W	MG RESISTOR	2.2kΩ 1/16W J	
C4527	NCBA1AK-104W	C CAPACITOR	0.1uF 10V K		R1017	NRSA6AJ-102W	MG RESISTOR	1kΩ 1/16W J	
C4528	NCBA1AK-104W	C CAPACITOR	0.1uF 10V K		R1018	NRSA6AJ-102W	MG RESISTOR	1kΩ 1/16W J	
C4529	NCB20JM-475X	C CAPACITOR	4.7uF 6.3V M		R1019	NRSA6AJ-102W	MG RESISTOR	1kΩ 1/16W J	
C4532	NCBA1AK-104W	C CAPACITOR	0.1uF 10V K		R1020	NRSA6AJ-102W	MG RESISTOR	1kΩ 1/16W J	
C4533	NCBA1AK-104W	C CAPACITOR	0.1uF 10V K		R1022	NRSA6AJ-102W	MG RESISTOR	1kΩ 1/16W J	
C4534	NCBA1AK-104W	C CAPACITOR	0.1uF 10V K		R1023	NRSA6AJ-102W	MG RESISTOR	1kΩ 1/16W J	
C4902	NBE20JM-106X	TA E CAPACITOR	10uF 6.3V M		R1024	NRSA6AJ-102W	MG RESISTOR	1kΩ 1/16W J	
C4903	NBE21AM-106X	TA E CAPACITOR	10uF 10V M		R1025	NRSA6AJ-102W	MG RESISTOR	1kΩ 1/16W J	
C4905	NCBA1AK-104W	C CAPACITOR	0.1uF 10V K		R1028	NRSA6AJ-102W	MG RESISTOR	1kΩ 1/16W J	
C4906	NCBA1AK-104W	C CAPACITOR	0.1uF 10V K		R1029	NRSA6AJ-102W	MG RESISTOR	1kΩ 1/16W J	
C4907	NCBA1AK-104W	C CAPACITOR	0.1uF 10V K		R1030	NRSA6AJ-102W	MG RESISTOR	1kΩ 1/16W J	
C4908	NCBA1AK-104W	C CAPACITOR	0.1uF 10V K		R1031	NRSA6AJ-102W	MG RESISTOR	1kΩ 1/16W J	
C4909	NCBA1CK-103W	C CAPACITOR	0.01uF 16V K		R1037	NRSA6AJ-102W	MG RESISTOR	1kΩ 1/16W J	
C4911	NDCA1HJ-101W	C CAPACITOR	100pF 50V J		R1043	NRSA6AJ-104W	MG RESISTOR	100kΩ 1/16W J	
C4912	NCBA1AK-104W	C CAPACITOR	0.1uF 10V K		R1045	NRSA6AJ-102W	MG RESISTOR	1kΩ 1/16W J	
C4913	NCBA1AK-104W	C CAPACITOR	0.1uF 10V K		R1051	NRSA6AJ-272W	MG RESISTOR	2.7kΩ 1/16W J	
C4914	NDCA1HJ-680W	C CAPACITOR	68pF 50V J		R1052	NRSA6AJ-183W	MG RESISTOR	18kΩ 1/16W J	
C4915	NDCA1HJ-121W	C CAPACITOR	120pF 50V J		R1053	NRSA6AJ-154W	MG RESISTOR	150kΩ 1/16W J	
C4916	NCBA1AK-104W	C CAPACITOR	0.1uF 10V K		R1054	NRSA6AJ-473W	MG RESISTOR	47kΩ 1/16W J	
C4921	NCFA1AZ-474W	C CAPACITOR	0.47uF 10V Z		R1055	NRSA6AJ-103W	MG RESISTOR	10kΩ 1/16W J	
C4922	NCBA1AK-104W	C CAPACITOR	0.1uF 10V K		R1056	NRSA6AJ-472W	MG RESISTOR	4.7kΩ 1/16W J	
C4923	NCB30JK-474X	C CAPACITOR	0.47uF 6.3V K		R1057	NRSA6AJ-104W	MG RESISTOR	100kΩ 1/16W J	
C4924	NCB30JK-105X	C CAPACITOR	1uF 6.3V K		R1058	NRSA6AJ-104W	MG RESISTOR	100kΩ 1/16W J	
C4925	NCB30JK-105X	C CAPACITOR	1uF 6.3V K		R1059	NRSA6AJ-104W	MG RESISTOR	100kΩ 1/16W J	
C4926	NCBA1AK-104W	C CAPACITOR	0.1uF 10V K		R1060	NRSA6AJ-104W	MG RESISTOR	100kΩ 1/16W J	
C4927	NCBA1CK-103W	C CAPACITOR	0.01uF 16V K		R1061	NRSA6AJ-104W	MG RESISTOR	100kΩ 1/16W J	
C4932	NBE21AM-106X	TA E CAPACITOR	10uF 10V M		R1062	NRSA6AJ-104W	MG RESISTOR	100kΩ 1/16W J	
C4935	NBE21AM-106X	TA E CAPACITOR	10uF 10V M		R1063	NRSA6AJ-473W	MG RESISTOR	47kΩ 1/16W J	
C4936	NCBA1AK-104W	C CAPACITOR	0.1uF 10V K		R1064	NRSA6AJ-102W	MG RESISTOR	1kΩ 1/16W J	
C4937	NDCA1HJ-101W	C CAPACITOR	100pF 50V J		R1065	NRSA6AJ-102W	MG RESISTOR	1kΩ 1/16W J	
C7802	NCB21CK-105X	C CAPACITOR	1uF 16V K		R1066	NRSA6AJ-102W	MG RESISTOR	1kΩ 1/16W J	
C7803	NCB30JK-105X	C CAPACITOR	1uF 6.3V K		R1068	NRSA6AJ-104W	MG RESISTOR	100kΩ 1/16W J	
C7804	NCB21CK-105X	C CAPACITOR	1uF 16V K		R1069	NRSA6AJ-104W	MG RESISTOR	100kΩ 1/16W J	
C7805	NCB21CK-105X	C CAPACITOR	1uF 16V K		R1070	NRSA6AJ-104W	MG RESISTOR	100kΩ 1/16W J	
C7806	NCB21CK-105X	C CAPACITOR	1uF 16V K		R1071	NRSA6AJ-104W	MG RESISTOR	100kΩ 1/16W J	
C7852	NCBA1CK-103W	C CAPACITOR	0.01uF 16V K		R1072	NRSA6AJ-823W	MG RESISTOR	82kΩ 1/16W J	
R101	NRSA63J-0R0X	MG RESISTOR	0Ω 1/16W J		R1073	NRSA6AJ-623W	MG RESISTOR	62kΩ 1/16W J	
					R1074	NRSA6AJ-103W	MG RESISTOR	10kΩ 1/16W J	



MODEL	MARK	MODEL	MARK	MODEL	MARK
GZ-MG21EK	A	GZ-MG21EZ	D	GZ-MG26EY	G
GZ-MG21EX	B	GZ-MG24EG	E	GZ-MG26EZ	H
GZ-MG21EY	C	GZ-MG26EX	F	GZ-MG36EK	J

△ Symbol No.	Part No.	Part Name	Description	Local	△ Symbol No.	Part No.	Part Name	Description	Local
R1075	NRSA6AJ-104W	MG RESISTOR	100kΩ 1/16W J		R3210	NRSA6AJ-0R0W	MG RESISTOR	0Ω 1/16W J	
R1076	NRSA6AJ-104W	MG RESISTOR	100kΩ 1/16W J		R3211	NRSA6AJ-0R0W	MG RESISTOR	0Ω 1/16W J	
R1077	NRSA6AJ-105W	MG RESISTOR	1MΩ 1/16W J		R3212	NRSA6AD-183W	MG RESISTOR	18kΩ 1/16W D	
R1082	NRSA6AJ-104W	MG RESISTOR	100kΩ 1/16W J		R3213	NRSA6AD-123W	MG RESISTOR	12kΩ 1/16W D	
R1083	NRSA6AJ-104W	MG RESISTOR	100kΩ 1/16W J		R3214	NRSA6AD-272W	MG RESISTOR	2.7kΩ 1/16W D	
R1084	NRSA6AJ-0R0W	MG RESISTOR	0Ω 1/16W J		R3215	NRSA6AD-272W	MG RESISTOR	2.7kΩ 1/16W D	
R1085	NRSA6AJ-0R0W	MG RESISTOR	0Ω 1/16W J		R3216	NRSA6AD-821W	MG RESISTOR	820Ω 1/16W D	
R1086	NRSA6AJ-0R0W	MG RESISTOR	0Ω 1/16W J		R3217	NRSA6AD-821W	MG RESISTOR	820Ω 1/16W D	
R2202	NRSA6AJ-564W	MG RESISTOR	560kΩ 1/16W J		R3221	NRSA6AJ-0R0W	MG RESISTOR	0Ω 1/16W J	
R2203	NRSA6AJ-393W	MG RESISTOR	39kΩ 1/16W J		R3222	NRSA6AJ-0R0W	MG RESISTOR	0Ω 1/16W J	
R2204	NRSA6AJ-154W	MG RESISTOR	150kΩ 1/16W J		R3223	NRSA6AJ-101W	MG RESISTOR	100Ω 1/16W J	
R2206	NRSA6AJ-333W	MG RESISTOR	33kΩ 1/16W J		R3224	NRSA6J-330X	MG RESISTOR	33Ω 1/16W J	
R2207	NRSA6AJ-333W	MG RESISTOR	33kΩ 1/16W J		R3701	NRSA6AJ-0R0W	MG RESISTOR	0Ω 1/16W J	
R2208	NRSA6AJ-223W	MG RESISTOR	22kΩ 1/16W J		R3702	NRSA6AJ-0R0W	MG RESISTOR	0Ω 1/16W J	
R2209	NRSA6AJ-223W	MG RESISTOR	22kΩ 1/16W J		R3703	NRSA6AD-680W	MG RESISTOR	68Ω 1/16W D	
R2210	NRSA6AJ-821W	MG RESISTOR	820Ω 1/16W J		R3708	NRSA6AJ-103W	MG RESISTOR	10kΩ 1/16W J	
R2211	NRSA6AJ-821W	MG RESISTOR	820Ω 1/16W J		R3709	NRSA6AJ-122W	MG RESISTOR	1.2kΩ 1/16W J	
R2212	NRSA6AJ-2R7W	MG RESISTOR	2.7Ω 1/16W J		R3710	NRSA6AJ-222W	MG RESISTOR	2.2kΩ 1/16W J	
R2213	NRSA6AJ-2R7W	MG RESISTOR	2.7Ω 1/16W J		R4001	NRSA6AJ-101W	MG RESISTOR	100Ω 1/16W J	
R2217	NRSA6AJ-100W	MG RESISTOR	10Ω 1/16W J		R4002	NRSA6AJ-332W	MG RESISTOR	3.3kΩ 1/16W J	
R2233	NRSA6AJ-564W	MG RESISTOR	560kΩ 1/16W J		R4003	NRSA6AJ-0R0W	MG RESISTOR	0Ω 1/16W J	
R2234	NRSA6AJ-564W	MG RESISTOR	560kΩ 1/16W J		R4005	NRSA6AJ-473W	MG RESISTOR	47kΩ 1/16W J	
R2235	NRSA6AJ-332W	MG RESISTOR	3.3kΩ 1/16W J		R4006	NRSA6AJ-473W	MG RESISTOR	47kΩ 1/16W J	
R2241	NRSA6AJ-104W	MG RESISTOR	100kΩ 1/16W J		R4007	NRSA6AJ-0R0W	MG RESISTOR	0Ω 1/16W J	
R2401	NRSA6AJ-472W	MG RESISTOR	4.7kΩ 1/16W J		R4008	NRSA6AJ-0R0W	MG RESISTOR	0Ω 1/16W J	
R2402	NRSA6AJ-472W	MG RESISTOR	4.7kΩ 1/16W J		R4016	NRSA6AJ-102W	MG RESISTOR	1kΩ 1/16W J	
R2403	NRSA6AJ-183W	MG RESISTOR	18kΩ 1/16W J		R4017	NRSA6AJ-103W	MG RESISTOR	10kΩ 1/16W J	
R2407	NRSA6AJ-100W	MG RESISTOR	10Ω 1/16W J		R4018	NRSA6AJ-473W	MG RESISTOR	47kΩ 1/16W J	
R2601	NRSA6AJ-222W	MG RESISTOR	2.2kΩ 1/16W J		R4019	NRSA6AJ-473W	MG RESISTOR	47kΩ 1/16W J	
R2602	NRSA6AJ-222W	MG RESISTOR	2.2kΩ 1/16W J		R4020	NRSA6AJ-473W	MG RESISTOR	47kΩ 1/16W J	
R2607	NRSA6AJ-222W	MG RESISTOR	2.2kΩ 1/16W J		R4021	NRSA6AJ-473W	MG RESISTOR	47kΩ 1/16W J	
R2608	NRSA6AJ-222W	MG RESISTOR	2.2kΩ 1/16W J		R4023	NRSA6AD-272W	MG RESISTOR	2.7kΩ 1/16W D	
R2609	NRSA6AJ-223W	MG RESISTOR	22kΩ 1/16W J		R4024	NRSA6AJ-473W	MG RESISTOR	47kΩ 1/16W J	
R2610	NRSA6AJ-223W	MG RESISTOR	22kΩ 1/16W J		R4025	NRSA6AJ-473W	MG RESISTOR	47kΩ 1/16W J	
R3001	NRSA6AJ-103W	MG RESISTOR	10kΩ 1/16W J		R4026	NRSA6AJ-101W	MG RESISTOR	100Ω 1/16W J	
R3002	NRSA6AJ-103W	MG RESISTOR	10kΩ 1/16W J		R4027	NRSA6AJ-473W	MG RESISTOR	47kΩ 1/16W J	
R3003	NRSA6AJ-103W	MG RESISTOR	10kΩ 1/16W J		R4030	NRSA6AJ-473W	MG RESISTOR	47kΩ 1/16W J	
R3004	NRSA6AJ-103W	MG RESISTOR	10kΩ 1/16W J		R4031	NRSA6AJ-221W	MG RESISTOR	220Ω 1/16W J	
R3007	NRSA6AJ-103W	MG RESISTOR	10kΩ 1/16W J		R4034	NRSA6AJ-473W	MG RESISTOR	47kΩ 1/16W J	
R3008	NRSA6AJ-103W	MG RESISTOR	10kΩ 1/16W J		R4035	NRSA6AJ-473W	MG RESISTOR	47kΩ 1/16W J	
R3009	NRSA6AJ-103W	MG RESISTOR	10kΩ 1/16W J		R4036	NRSA6AJ-220W	MG RESISTOR	22Ω 1/16W J	
R3012	NRSA6AJ-103W	MG RESISTOR	10kΩ 1/16W J		R4037	NRSA6AJ-470W	MG RESISTOR	47Ω 1/16W J	
R3013	NRSA6AJ-271W	MG RESISTOR	270Ω 1/16W J		R4038	NRSA6AJ-820W	MG RESISTOR	82Ω 1/16W J	
R3014	NRSA6AJ-0R0W	MG RESISTOR	0Ω 1/16W J		R4039	NRSA6AJ-470W	MG RESISTOR	47Ω 1/16W J	
R3016	NRSA6AJ-103W	MG RESISTOR	10kΩ 1/16W J		R4042	NRSA6AJ-473W	MG RESISTOR	47kΩ 1/16W J	
R3017	NRSA6AJ-103W	MG RESISTOR	10kΩ 1/16W J		R4043	NRSA6AJ-103W	MG RESISTOR	10kΩ 1/16W J	
R3022	NRSA6AJ-103W	MG RESISTOR	10kΩ 1/16W J		R4044	NRSA6AJ-473W	MG RESISTOR	47kΩ 1/16W J	
R3023	NRSA6AJ-103W	MG RESISTOR	10kΩ 1/16W J		R4048	NRSA6AJ-473W	MG RESISTOR	47kΩ 1/16W J	
R3024	NRSA6AJ-103W	MG RESISTOR	10kΩ 1/16W J		R4049	NRSA6AJ-473W	MG RESISTOR	47kΩ 1/16W J	
R3025	NRSA6AJ-103W	MG RESISTOR	10kΩ 1/16W J		R4050	NRSA6AJ-0R0W	MG RESISTOR	0Ω 1/16W J	
R3026	NRSA6AJ-103W	MG RESISTOR	10kΩ 1/16W J		R4051	NRSA6AJ-0R0W	MG RESISTOR	0Ω 1/16W J	
R3027	NRSA6AJ-103W	MG RESISTOR	10kΩ 1/16W J		R4052	NRSA6AJ-473W	MG RESISTOR	47kΩ 1/16W J	
R3028	NRSA6AJ-103W	MG RESISTOR	10kΩ 1/16W J		R4053	NRSA6AJ-0R0W	MG RESISTOR	0Ω 1/16W J	
R3029	NRSA6AJ-472W	MG RESISTOR	4.7kΩ 1/16W J		R4054	NRSA6AJ-473W	MG RESISTOR	47kΩ 1/16W J	
R3030	NRSA6AJ-472W	MG RESISTOR	4.7kΩ 1/16W J		R4055	NRSA6AJ-473W	MG RESISTOR	47kΩ 1/16W J	
R3031	NRSA6AJ-472W	MG RESISTOR	4.7kΩ 1/16W J		R4056	NRSA6AJ-181W	MG RESISTOR	180Ω 1/16W J	
R3032	NRSA6AJ-473W	MG RESISTOR	47kΩ 1/16W J		R4057	NRSA6AJ-181W	MG RESISTOR	180Ω 1/16W J	
R3033	NRSA6AJ-472W	MG RESISTOR	4.7kΩ 1/16W J		R4058	NRSA6AJ-181W	MG RESISTOR	180Ω 1/16W J	
R3034	NRSA6AJ-472W	MG RESISTOR	4.7kΩ 1/16W J		R4059	NRSA6AJ-181W	MG RESISTOR	180Ω 1/16W J	
R3035	NRSA6AJ-103W	MG RESISTOR	10kΩ 1/16W J		R4060	NRSA6AJ-181W	MG RESISTOR	180Ω 1/16W J	
R3036	NRSA6AJ-103W	MG RESISTOR	10kΩ 1/16W J		R4061	NRSA6AJ-181W	MG RESISTOR	180Ω 1/16W J	
R3039	NRSA6AJ-0R0W	MG RESISTOR	0Ω 1/16W J		R4062	NRSA6AJ-181W	MG RESISTOR	180Ω 1/16W J	
R3040	NRSA6AJ-271W	MG RESISTOR	270Ω 1/16W J		R4063	NRSA6AJ-181W	MG RESISTOR	180Ω 1/16W J	
R3041	NRSA6AJ-0R0W	MG RESISTOR	0Ω 1/16W J		R4064	NRSA6AJ-181W	MG RESISTOR	180Ω 1/16W J	
R3042	NRSA6AJ-100W	MG RESISTOR	10Ω 1/16W J		R4065	NRSA6AJ-181W	MG RESISTOR	180Ω 1/16W J	
R3043	NRSA6AJ-100W	MG RESISTOR	10Ω 1/16W J		R4066	NRSA6AJ-181W	MG RESISTOR	180Ω 1/16W J	
R3044	NRSA6AJ-100W	MG RESISTOR	10Ω 1/16W J		R4067	NRSA6AJ-181W	MG RESISTOR	180Ω 1/16W J	
R3045	NRSA6AJ-100W	MG RESISTOR	10Ω 1/16W J		R4068	NRSA6AJ-181W	MG RESISTOR	180Ω 1/16W J	
R3046	NRSA6AJ-0R0W	MG RESISTOR	0Ω 1/16W J		R4069	NRSA6AJ-181W	MG RESISTOR	180Ω 1/16W J	
R3201	NRSA6AJ-0R0W	MG RESISTOR	0Ω 1/16W J		R4070	NRSA6AJ-181W	MG RESISTOR	180Ω 1/16W J	
R3202	NRSA6AJ-0R0W	MG RESISTOR	0Ω 1/16W J		R4071	NRSA6AJ-181W	MG RESISTOR	180Ω 1/16W J	
R3203	NRSA6AJ-0R0W	MG RESISTOR	0Ω 1/16W J		R4072	NRSA6AJ-0R0W	MG RESISTOR	0Ω 1/16W J	
R3204	NRSA6AJ-0R0W	MG RESISTOR	0Ω 1/16W J		R4073	NRSA6AJ-0R0W	MG RESISTOR	0Ω 1/16W J	
R3205	NRSA6AJ-0R0W	MG RESISTOR	0Ω 1/16W J		R4074	NRSA6AJ-473W	MG RESISTOR	47kΩ 1/16W J	
R3206	NRSA6AJ-0R0W	MG RESISTOR	0Ω 1/16W J		R4075	NRSA6AJ-473W	MG RESISTOR	47kΩ 1/16W J	
R3207	NRSA6AJ-0R0W	MG RESISTOR	0Ω 1/16W J		R4076	NRSA6AJ-0R0W	MG RESISTOR	0Ω 1/16W J	
R3208	NRSA6AJ-101W	MG RESISTOR	100Ω 1/16W J		R4077	NRSA6AJ-0R0W	MG RESISTOR	0Ω 1/16W J	
R3209	NRSA6AJ-0R0W	MG RESISTOR	0Ω 1/16W J		R4078	NRSA6AJ-0R0W	MG RESISTOR	0Ω 1/16W J	

MODEL	MARK	MODEL	MARK	MODEL	MARK
GZ-MG21EK	A	GZ-MG21EZ	D	GZ-MG26EY	G
GZ-MG21EX	B	GZ-MG24EG	E	GZ-MG26EZ	H
GZ-MG21EY	C	GZ-MG26EX	F	GZ-MG36EK	J

△ Symbol No.	Part No.	Part Name	Description	Local
R4079	NRSA6AJ-473W	MG RESISTOR	47kΩ 1/16W J	
R4081	NRSA6AJ-181W	MG RESISTOR	180Ω 1/16W J	
R4083	NRSA6AJ-472W	MG RESISTOR	4.7kΩ 1/16W J	
R4084	NRSA6AJ-472W	MG RESISTOR	4.7kΩ 1/16W J	
R4086	NRSA6AJ-473W	MG RESISTOR	47kΩ 1/16W J	
R4087	NRSA6AJ-0R0W	MG RESISTOR	0Ω 1/16W J	
R4088	NRSA6AJ-0R0W	MG RESISTOR	0Ω 1/16W J	
R4201	NRSA6AJ-104W	MG RESISTOR	100kΩ 1/16W J	
R4204	NRSA6AJ-100W	MG RESISTOR	10Ω 1/16W J	
R4205	NRSA6AJ-100W	MG RESISTOR	10Ω 1/16W J	
R4206	NRSA6AJ-100W	MG RESISTOR	10Ω 1/16W J	
R4207	NRSA6AJ-101W	MG RESISTOR	100Ω 1/16W J	
R4208	NRSA6AJ-0R0W	MG RESISTOR	0Ω 1/16W J	
R4209	NRSA6AJ-105W	MG RESISTOR	1MΩ 1/16W J	
R4210	NRSA6AJ-101W	MG RESISTOR	100Ω 1/16W J	
R4211	NRSA6AJ-101W	MG RESISTOR	100Ω 1/16W J	
R4212	NRSA6AJ-101W	MG RESISTOR	100Ω 1/16W J	
R4214	NRSA6AJ-101W	MG RESISTOR	100Ω 1/16W J	
R4219	NRSA6AJ-101W	MG RESISTOR	100Ω 1/16W J	
R4220	NRSA6AJ-101W	MG RESISTOR	100Ω 1/16W J	
R4221	NRSA6AJ-101W	MG RESISTOR	100Ω 1/16W J	
R4222	NRSA6AJ-101W	MG RESISTOR	100Ω 1/16W J	
R4223	NRSA6AJ-101W	MG RESISTOR	100Ω 1/16W J	
R4224	NRSA6AJ-101W	MG RESISTOR	100Ω 1/16W J	
R4225	NRSA6AJ-101W	MG RESISTOR	100Ω 1/16W J	
R4226	NRSA6AJ-102W	MG RESISTOR	1kΩ 1/16W J	
R4227	NRSA6AJ-102W	MG RESISTOR	1kΩ 1/16W J	
R4301	NRSA6AJ-473W	MG RESISTOR	47kΩ 1/16W J	
R4413	NRSA6AJ-470W	MG RESISTOR	47Ω 1/16W J	
R4414	NRSA6AJ-470W	MG RESISTOR	47Ω 1/16W J	
R4415	NRSA6AJ-470W	MG RESISTOR	47Ω 1/16W J	
R4416	NRSA6AJ-470W	MG RESISTOR	47Ω 1/16W J	
R4418	NRSA6AJ-470W	MG RESISTOR	47Ω 1/16W J	
R4422	NRSA63J-0R0X	MG RESISTOR	0Ω 1/16W J	
R4424	NRSA63J-0R0X	MG RESISTOR	0Ω 1/16W J	
R4425	NRSA6AJ-0R0W	MG RESISTOR	0Ω 1/16W J	
R4501	NRSA6AJ-101W	MG RESISTOR	100Ω 1/16W J	
R4502	NRSA6AJ-101W	MG RESISTOR	100Ω 1/16W J	
R4503	NRSA6AJ-471W	MG RESISTOR	470Ω 1/16W J	
R4504	NRSA6AJ-471W	MG RESISTOR	470Ω 1/16W J	
R4505	NRSA6AJ-471W	MG RESISTOR	470Ω 1/16W J	
R4506	NRSA6AJ-471W	MG RESISTOR	470Ω 1/16W J	
R4507	NRSA6AJ-471W	MG RESISTOR	470Ω 1/16W J	
R4508	NRSA6AJ-471W	MG RESISTOR	470Ω 1/16W J	
R4510	NRSA6AJ-101W	MG RESISTOR	100Ω 1/16W J	
R4511	NRSA6AJ-101W	MG RESISTOR	100Ω 1/16W J	
R4513	NRSA6AJ-100W	MG RESISTOR	10Ω 1/16W J	
R4514	NRSA6AJ-100W	MG RESISTOR	10Ω 1/16W J	
R4515	NRSA6AJ-102W	MG RESISTOR	1kΩ 1/16W J	
R4524	NRSA6AJ-101W	MG RESISTOR	100Ω 1/16W J	
R4525	NRSA6AJ-101W	MG RESISTOR	100Ω 1/16W J	
R4527	NRSA6AJ-0R0W	MG RESISTOR	0Ω 1/16W J	
R4529	NRSA6AJ-101W	MG RESISTOR	100Ω 1/16W J	
R4530	NRSA6AJ-473W	MG RESISTOR	47kΩ 1/16W J	
R4531	NRSA6AJ-123W	MG RESISTOR	12kΩ 1/16W J	
R4532	NRSA6AJ-223W	MG RESISTOR	22kΩ 1/16W J	
R4533	NRSA6AJ-822W	MG RESISTOR	8.2kΩ 1/16W J	
R4534	NRSA6AJ-393W	MG RESISTOR	39kΩ 1/16W J	
R4535	NRSA6AJ-101W	MG RESISTOR	100Ω 1/16W J	
R4536	NRSA6AJ-100W	MG RESISTOR	10Ω 1/16W J	
R4537	NRSA6AJ-100W	MG RESISTOR	10Ω 1/16W J	
R4541	NRSA6AJ-473W	MG RESISTOR	47kΩ 1/16W J	
R4542	NRSA6AJ-0R0W	MG RESISTOR	0Ω 1/16W J	
R4550	NRSA6AJ-102W	MG RESISTOR	1kΩ 1/16W J	
R4551	NRSA6AJ-102W	MG RESISTOR	1kΩ 1/16W J	
R4554	NRSA6AJ-101W	MG RESISTOR	100Ω 1/16W J	
R4555	NRSA6AJ-101W	MG RESISTOR	100Ω 1/16W J	
R4556	NRSA6AJ-101W	MG RESISTOR	100Ω 1/16W J	
R4558	NRSA6AJ-471W	MG RESISTOR	470Ω 1/16W J	
R4563	NRSA6AJ-152W	MG RESISTOR	1.5kΩ 1/16W J	
R4569	NRSA6AJ-101W	MG RESISTOR	100Ω 1/16W J	
R4579	NRSA6AJ-101W	MG RESISTOR	100Ω 1/16W J	
R4580	NRSA6AJ-103W	MG RESISTOR	10kΩ 1/16W J	
R4581	NRSA6AJ-331W	MG RESISTOR	330Ω 1/16W J	
R4582	NRSA6AJ-331W	MG RESISTOR	330Ω 1/16W J	
R4583	NRSA6AJ-331W	MG RESISTOR	330Ω 1/16W J	
R4585	NRSA6AJ-0R0W	MG RESISTOR	0Ω 1/16W J	
R4587	NRSA6AJ-0R0W	MG RESISTOR	0Ω 1/16W J	

△ Symbol No.	Part No.	Part Name	Description	Local
R4588	NRSA6AJ-0R0W	MG RESISTOR	0Ω 1/16W J	
R4589	NRSA6AJ-473W	MG RESISTOR	47kΩ 1/16W J	
R4903	NRSA6AJ-822W	MG RESISTOR	8.2kΩ 1/16W J	
R4904	NRSA6AJ-103W	MG RESISTOR	10kΩ 1/16W J	
R4905	NRSA6AJ-153W	MG RESISTOR	15kΩ 1/16W J	
R4906	NRSA6AJ-564W	MG RESISTOR	560kΩ 1/16W J	
R4907	NRSA6AJ-105W	MG RESISTOR	1MΩ 1/16W J	
R4908	NRSA6AJ-472W	MG RESISTOR	4.7kΩ 1/16W J	
R4909	NRSA6AJ-105W	MG RESISTOR	1MΩ 1/16W J	
R4910	NRSA6AJ-101W	MG RESISTOR	100Ω 1/16W J	
R4911	NRSA6AJ-101W	MG RESISTOR	100Ω 1/16W J	
R4916	NRSA6AJ-103W	MG RESISTOR	10kΩ 1/16W J	
R4917	NRSA6AJ-103W	MG RESISTOR	10kΩ 1/16W J	
R4919	NRSA6AJ-103W	MG RESISTOR	10kΩ 1/16W J	
R4920	NRSA6AJ-103W	MG RESISTOR	10kΩ 1/16W J	
R4923	NRSA6AJ-122W	MG RESISTOR	1.2kΩ 1/16W J	
R4924	NRSA6AJ-123W	MG RESISTOR	12kΩ 1/16W J	
R4925	NRSA6AJ-104W	MG RESISTOR	100kΩ 1/16W J	
R4926	NRSA6AJ-333W	MG RESISTOR	33kΩ 1/16W J	
R4927	NRSA6AJ-564W	MG RESISTOR	560kΩ 1/16W J	
R4931	NRSA6AJ-271W	MG RESISTOR	270Ω 1/16W J	
R4944	NRSA6AJ-0R0W	MG RESISTOR	0Ω 1/16W J	
R4948	NRSA6AJ-0R0W	MG RESISTOR	0Ω 1/16W J	
R4949	NRSA6AJ-562W	MG RESISTOR	5.6kΩ 1/16W J	
R4950	NRSA6AJ-123W	MG RESISTOR	12kΩ 1/16W J	
R4951	NRSA6AJ-103W	MG RESISTOR	10kΩ 1/16W J	
R4993	NRSA6AJ-471W	MG RESISTOR	470Ω 1/16W J	
R7801	NRSA6AJ-333W	MG RESISTOR	33kΩ 1/16W J	
R7802	NRSA6AJ-822W	MG RESISTOR	8.2kΩ 1/16W J	
R7803	NRSA6AD-621W	MG RESISTOR	620Ω 1/16W D	
R7804	NRSA6AD-222W	MG RESISTOR	2.2kΩ 1/16W D	
R7805	NRSA6AD-123W	MG RESISTOR	12kΩ 1/16W D	
R7807	NRSA6AJ-682W	MG RESISTOR	6.8kΩ 1/16W J	
R7808	NRSA6AD-621W	MG RESISTOR	620Ω 1/16W D	
R7809	NRSA6AD-222W	MG RESISTOR	2.2kΩ 1/16W D	
R7810	NRSA6AD-123W	MG RESISTOR	12kΩ 1/16W D	
R7812	NRSA6AJ-682W	MG RESISTOR	6.8kΩ 1/16W J	
R7813	NRSA6AD-621W	MG RESISTOR	620Ω 1/16W D	
R7814	NRSA6AD-222W	MG RESISTOR	2.2kΩ 1/16W D	
R7815	NRSA6AD-123W	MG RESISTOR	12kΩ 1/16W D	
R7817	NRSA6AJ-682W	MG RESISTOR	6.8kΩ 1/16W J	
R7851	NRSA6AD-333W	MG RESISTOR	33kΩ 1/16W D	
R7853	NRSA6AD-363W	MG RESISTOR	36kΩ 1/16W D	
R7854	NRSA6AD-333W	MG RESISTOR	33kΩ 1/16W D	
R7856	NRSA6AD-363W	MG RESISTOR	36kΩ 1/16W D	
R7857	NRSA6AD-333W	MG RESISTOR	33kΩ 1/16W D	
R7859	NRSA6AD-363W	MG RESISTOR	36kΩ 1/16W D	
RA3001	NRZ0034-181W	NET RESISTOR	180Ω 1/32W J x4	
RA3002	NRZ0034-181W	NET RESISTOR	180Ω 1/32W J x4	
RA3201	NRZ0034-100W	NET RESISTOR	10Ω 1/32W J x4	
RA3202	NRZ0034-100W	NET RESISTOR	10Ω 1/32W J x4	
RA4001	NRZ0034-221W	NET RESISTOR	220Ω 1/32W J x4	
RA4002	NRZ0034-221W	NET RESISTOR	220Ω 1/32W J x4	
RA4301	NRZ0034-104W	NET RESISTOR	100kΩ 1/32W J x4	
RA4302	NRZ0034-104W	NET RESISTOR	100kΩ 1/32W J x4	
RA4303	NRZ0034-104W	NET RESISTOR	100kΩ 1/32W J x4	
RA4304	NRZ0034-104W	NET RESISTOR	100kΩ 1/32W J x4	
L111	NRSA02J-0R0X	MG RESISTOR	0Ω 1/10W J	
L121	NRSA63J-0R0X	MG RESISTOR	0Ω 1/16W J	
L131	NQR0506-002X	EMI FILTER		
L141	NQR0129-002X	FERRITE BEADS		
L161	NQL38DK-100X	P COIL	10uH K	
L171	NQR0129-002X	FERRITE BEADS		
L1001	NQR0129-002X	FERRITE BEADS		
L1002	NQLC32M-100X	COIL	10uH M	
L2401	NQLC32M-100X	COIL	10uH M	
L2402	NQLC32M-100X	COIL	10uH M	
L2601	NQR0269-013X	FERRITE BEADS		
L2602	NQR0269-013X	FERRITE BEADS		
L2603	NQR0269-013X	FERRITE BEADS		
L3001	NQR0129-002X	FERRITE BEADS		
L3002	NQR0154-003X	FERRITE CORE		
L3005	NQR0006-001X	FERRITE BEADS		
L3007	NQR0129-002X	FERRITE BEADS		
L3201	NQR0129-002X	FERRITE BEADS		
L3203	NQR0129-002X	FERRITE BEADS		
L3206	NRSA02J-0R0X	MG RESISTOR	0Ω 1/10W J	

MODEL	MARK	MODEL	MARK	MODEL	MARK
GZ-MG21EK	A	GZ-MG21EZ	D	GZ-MG26EY	G
GZ-MG21EX	B	GZ-MG24EG	E	GZ-MG26EZ	H
GZ-MG21EY	C	GZ-MG26EX	F	GZ-MG36EK	J

△ Symbol No.	Part No.	Part Name	Description	Local
L3701	NQL38DK-100X	P COIL	10uH K	
L4003	NQR0129-002X	FERRITE BEADS		
L4004	NQR0006-001X	FERRITE BEADS		
L4005	NQR0154-003X	FERRITE CORE		
L4006	NRSA63J-0R0X	MG RESISTOR	0Ω 1/16W J	
L4008	NRSA63J-0R0X	MG RESISTOR	0Ω 1/16W J	
L4201	NQR0006-001X	FERRITE BEADS		
L4202	NQL315K-220X	COIL	22uH K	
L4203	NQL315K-220X	COIL	22uH K	
L4204	NQL315K-220X	COIL	22uH K	
L4205	NQLC32M-100X	COIL	10uH M	
L4301	NQR0129-002X	FERRITE BEADS		
L4303	NQR0154-003X	FERRITE CORE		
L4401	NQR0006-001X	FERRITE BEADS		
L4402	NQR0006-001X	FERRITE BEADS		
L4501	NQR0006-001X	FERRITE BEADS		
L4502	NQR0006-001X	FERRITE BEADS		
L4503	NQR0006-001X	FERRITE BEADS		
L4505	NQR0006-001X	FERRITE BEADS		
L4507	NQR0006-001X	FERRITE BEADS		
L4901	NQR0129-002X	FERRITE BEADS		
L4902	NQL38DK-100X	P COIL	10uH K	
L4903	NQL38DK-100X	P COIL	10uH K	
L4904	NQL38DK-100X	P COIL	10uH K	
L7801	NRSA02J-0R0X	MG RESISTOR	0Ω 1/10W J	
L7851	NRSA02J-0R0X	MG RESISTOR	0Ω 1/10W J	
CN101	QGF0547C3-50X	CONNECTOR	OPE FFC/FPC (1-50)	
CN102	QGF0508F3-40X	CONNECTOR	KIN HDD FFC/FPC (1-40)	
CN103	QGF0508F3-53X	CONNECTOR	KIN REAR FFC/FPC (1-53)	
CN104	QGF0534F2-06X	CONNECTOR	KIN ZOOM FFC/FPC (1-6)	
CN105	QGF0547C3-24X	CONNECTOR	CCD FFC/FPC (1-24)	
CN106	QGF0549C2-26W	CONNECTOR	KIN OP FFC/FPC (1-26)	
CN107	QGA1001F1-04X	CONNECTOR	INT MIC W-B (1-4)	
CN110	QGB0512L1-30X	CONNECTOR	JIG B-B (1-30)	
CN111	NNZ0156-001X	SD CARD CONNE	SD	
J101	QNZ0497-001	USB(B) CONNECTOR	B USB USB(MINI-B)	
TP1	NNZ0163-001X	EARTH TERMINAL		
TP2	NNZ0163-001X	EARTH TERMINAL		
TP3	NNZ0163-001X	EARTH TERMINAL		
X1001	NAX0784-001X	C RESONATOR		
X1002	NAX0564-001X	CRYSTAL	32.768kHz	
X4001	NAX0710-001X	CXO		
X4201	NAX0879-001X	CRYSTAL	36MHZ XTAL	
HD1	LY35255-001A	HOLDER(W,B)	W.B.HOLD	
HD2	LY35258-001A	LED HOLDER (1)	LED HOLD1	
HD3	LY35259-001A	LED HOLDER (2)	LED HOLD2	
OT1	QAL0807-001	FPC	MAIN-HDD	
OT2	LY30035-025B	SPACER(A)	FPC	
OT3	LY30035-036A	SPACER(A)	PWB	
SD1	LY45207-001A	SHIELD SHEET	SD	

### CCD BOARD ASSEMBLY <02>

△ Symbol No.	Part No.	Part Name	Description	Local
PW1	LYA10067-01B	CCD BOARD ASSY		
IC5801	TC75S54FU-X	IC		
IC5801	or NJU7008F3-X	IC		
IC5801	or S-89120ANC-G-X	IC		
IC5802	SN74AHC1G66K-X	IC		
IC5802	or TC7S66FU-X	IC(DIGITAL)		
IC5802	or 74AHC1G66GW-X	IC		
IC5803	TC75S54FU-X	IC		
IC5803	or NJU7008F3-X	IC		
IC5803	or S-89120ANC-G-X	IC		
IC5804	TC7W53FU-X	IC(DIGITAL)		
IC5852	NAL0039-001X	GYRO SENSOR		
IC5901	TC75S54FU-X	IC		
IC5901	or NJU7008F3-X	IC		
IC5901	or S-89120ANC-G-X	IC		
IC5902	SN74AHC1G66K-X	IC		
IC5902	or TC7S66FU-X	IC(DIGITAL)		
IC5902	or 74AHC1G66GW-X	IC		
IC5903	TC75S54FU-X	IC		

△ Symbol No.	Part No.	Part Name	Description	Local
IC5903	or NJU7008F3-X	IC		
IC5903	or S-89120ANC-G-X	IC		
IC5904	TC7W53FU-X	IC(DIGITAL)		
IC5952	NAL0038-001X	GYRO SENSOR		
Q5001	2SC5345U/Y/-X	TRANSISTOR	CCD OUT	
Q5001	or 2SC3931/CD/-X	TRANSISTOR	CCD OUT	
C5001	NBP41EM-475X-B	TA E CAPACITOR	4.7uF 25V M	
C5002	NCB31EK-104X	C CAPACITOR	0.1uF 25V K	
C5003	NBP21CM-106X	TA E CAPACITOR	10uF 16V M	
C5004	NCB31CK-104X	C CAPACITOR	0.1uF 16V K	
C5005	NCB31EK-104X	C CAPACITOR	0.1uF 25V K	
C5006	NCB11EK-104X	C CAPACITOR	0.1uF 25V K	
C5007	NCB31HK-222X	C CAPACITOR	2200pF 50V K	
C5801	NBE90JM-106X	TA E CAPACITOR	10uF 6.3V M	
C5806	NCB31CK-103X	C CAPACITOR	0.01uF 16V K	
C5807	NCB21AK-225X	C CAPACITOR	2.2uF 10V K	
C5808	NDC31HJ-331X	C CAPACITOR	330F 50V J	
C5809	NBE20JM-475X	TA E CAPACITOR	4.7uF 6.3V M	
C5810	NDC31HJ-331X	C CAPACITOR	330F 50V J	
C5812	NCB31CK-104X	C CAPACITOR	0.1uF 16V K	
C5813	NDC31HJ-331X	C CAPACITOR	330F 50V J	
C5851	NBE90JM-106X	TA E CAPACITOR	10uF 6.3V M	
C5853	NCB31CK-104X	C CAPACITOR	0.1uF 16V K	
C5907	NCB21AK-225X	C CAPACITOR	2.2uF 10V K	
C5908	NDC31HJ-331X	C CAPACITOR	330pF 50V J	
C5909	NBE20JM-475X	TA E CAPACITOR	4.7uF 6.3V M	
C5910	NDC31HJ-331X	C CAPACITOR	330pF 50V J	
C5912	NCB31CK-104X	C CAPACITOR	0.1uF 16V K	
C5913	NDC31HJ-331X	C CAPACITOR	330pF 50V J	
R5001	NRSA63J-472X	MG RESISTOR	4.7kΩ 1/16W J	
R5805	NRSA63J-473X	MG RESISTOR	47kΩ 1/16W J	
R5806	NRSA63J-474X	MG RESISTOR	470kΩ 1/16W J	
R5807	NRSA63J-183X	MG RESISTOR	18kΩ 1/16W J	
R5808	NRSA63J-105X	MG RESISTOR	1MΩ 1/16W J	
R5811	NRSA63J-123X	MG RESISTOR	12kΩ 1/16W J	
R5812	NRSA63J-0R0X	MG RESISTOR	0Ω 1/16W J	
R5816	NRSA63J-0R0X	MG RESISTOR	0Ω 1/16W J	
R5817	NRSA63J-0R0X	MG RESISTOR	0Ω 1/16W J	
R5818	NRSA63J-473X	MG RESISTOR	47kΩ 1/16W J	
R5819	NRSA63D-104X	MG RESISTOR	100kΩ 1/16W D	
R5820	NRSA63D-103X	MG RESISTOR	10kΩ 1/16W D	
R5905	NRSA63J-473X	MG RESISTOR	47kΩ 1/16W J	
R5906	NRSA63J-474X	MG RESISTOR	470kΩ 1/16W J	
R5907	NRSA63J-183X	MG RESISTOR	18kΩ 1/16W J	
R5908	NRSA63J-105X	MG RESISTOR	1MΩ 1/16W J	
R5911	NRSA63J-123X	MG RESISTOR	12kΩ 1/16W J	
R5912	NRSA63J-0R0X	MG RESISTOR	0Ω 1/16W J	
R5915	NRSA63J-0R0X	MG RESISTOR	0Ω 1/16W J	
R5917	NRSA63J-0R0X	MG RESISTOR	0Ω 1/16W J	
R5918	NRSA63J-473X	MG RESISTOR	47kΩ 1/16W J	
R5919	NRSA63D-104X	MG RESISTOR	100kΩ 1/16W D	
R5920	NRSA63D-103X	MG RESISTOR	10kΩ 1/16W D	
L5001	NQL315K-100X	COIL	10uH K	
L5003	NQL315K-100X	COIL	10uH K	
L5801	NQR0129-002X	FERRITE BEADS		
L5851	NQR0129-002X	FERRITE BEADS		
CN5001	QGF0503F8-24X	CONNECTOR	TO MAIN FFC/FPC (1-24)	
OT1	QAL0740-002	FPC	FOR CN5001	

### OPE BOARD ASSEMBLY <04>

△ Symbol No.	Part No.	Part Name	Description	Local
PW1	LYA10070-01B1	OPE BOARD ASSY		A,B,C,D
PW1	LYA10069-01B1	OPE BOARD ASSY		E,F,G,H,J
D401	SML-A12UT-X	LED	POW/CHG	
D402	SMLA12BC4T-X	LED	DRV_ACCESS	
D403	MA8068-X	Z DIODE	LCD_OPN SW	
D403	or UDZS6.8B-X	Z DIODE	LCD_OPN SW	
D404	SML-A12MT-X	LED	USB_HOST	

MODEL	MARK	MODEL	MARK	MODEL	MARK
GZ-MG21EK	A	GZ-MG21EZ	D	GZ-MG26EY	G
GZ-MG21EX	B	GZ-MG24EG	E	GZ-MG26EZ	H
GZ-MG21EY	C	GZ-MG26EX	F	GZ-MG36EK	J

Symbol No.	Part No.	Part Name	Description	Local
D452	MA8068-X	Z DIODE		
D452	or UDZS6.8B-X	Z DIODE		
C451	NCB31EK-103X	C CAPACITOR	0.01uF 25V K	
C452	NCB31EK-103X	C CAPACITOR	0.01uF 25V K	
C455	NCB31EK-103X	C CAPACITOR	0.01uF 25V K	
C456	NEAF0GM-337X	E CAPACITOR	330uF 4V M	
C457	NEAF0GM-337X	E CAPACITOR	330uF 4V M	
R401	NRSA63J-103X	MG RESISTOR	10kΩ 1/16W J	
R405	NRSA63J-103X	MG RESISTOR	10kΩ 1/16W J	
R406	NRSA63J-332X	MG RESISTOR	3.3kΩ 1/16W J	
R407	NRSA63J-682X	MG RESISTOR	6.8kΩ 1/16W J	
R408	NRSA63J-223X	MG RESISTOR	22kΩ 1/16W J	
R451	NRSA63J-101X	MG RESISTOR	100Ω 1/16W J	
R452	NRSA63J-101X	MG RESISTOR	100Ω 1/16W J	
R455	NRSA63D-680X	MG RESISTOR	68Ω 1/16W D	
R456	NRSA63D-680X	MG RESISTOR	68Ω 1/16W D	
R457	NRSA02J-0R0X	MG RESISTOR	0Ω 1/10W J	
L451	NQR0251-004X	FERRITE BEADS		
L452	NQR0251-004X	FERRITE BEADS		
L453	NRSA63J-0R0X	MG RESISTOR	0Ω 1/16W J	
L454	NRSA63J-0R0X	MG RESISTOR	0Ω 1/16W J	
L455	NRSA63J-0R0X	MG RESISTOR	0Ω 1/16W J	

Symbol No.	Part No.	Part Name	Description	Local
Q6501	RSR025P03-X	MOS FET		
Q6502	2SD2703-X	TRANSISTOR		
Q6503	UMT1N-W	PAIR TRANSISTOR		
Q6503	or HN1A01FU/G/-X	PAIR TRANSISTOR		
Q6503	or BC856S-X	PAIR TRANSISTOR		
Q6701	RSR025P03-X	MOS FET		
Q6702	RSR025P03-X	MOS FET		
Q6703	RSR025P03-X	MOS FET		
D601	EMZ6.8N-X	Z DIODE		BATT
D602	UDZS16B-X	Z DIODE		
D6101	RB160M-30-X	SB DIODE		
D6201	RB160M-30-X	SB DIODE		
D6301	RB160M-30-X	SB DIODE		
D6302	1SS355-X	SI DIODE		
D6302	or MA111-X	SI DIODE		
D6401	1SS355-X	SI DIODE		
D6401	or MA111-X	SI DIODE		
D6402	RB160M-30-X	SB DIODE		
D6501	RB481K-X	SB DIODE		
D6502	RB481K-X	SB DIODE		
D6701	RB160M-30-X	SB DIODE		
D6702	RB160M-30-X	SB DIODE		
D6801	RB551V-30-X	SB DIODE		
D6901	MA8068-X	Z DIODE		

Symbol No.	Part No.	Part Name	Description	Local
△ BT401	QAB0069-001	LITHIUM BATTERY		
CN401	QGF0547C3-50X	CONNECTOR	MAIN PWB FFC/FPC (1-50)	
CN402	QGF0503F8-24X	CONNECTOR	MONI FPC FFC/FPC (1-24)	
CN403	QGA1001F1-02X	CONNECTOR	SPEAKER W-B (1-2)	
J401	QNS0078-001	3.5 JACK	AV JACK	
J402	QND0078-001	S JACK	S JACK	
S401	NSW0260-001X	SLIDE SWITCH	POWER_CHRG	
S402	NSW0161-001X	DETECT SWITCH	LCD_OPEN	
S403	NSW0099-001X	SLIDE SWITCH	MOV/STILL	
S404	NSW0198-001X	TACT SWITCH	INFO	
S405	NSW0198-001X	TACT SWITCH	BKLIGHT	
S411	NSW0198-001X	TACT SWITCH	NIGHT EYE	
S412	NSW0198-001X	TACT SWITCH	TRASH	
S413	NSW0272-001X	TACT SWITCH	RESET	
WR1	WJT0196-001A-E	E-CARD WIRE	OPE-MAIN	

C601	NCB31EK-104X	C CAPACITOR	0.1uF 25V K	
C603	NCB31EK-104X	C CAPACITOR	0.1uF 25V K	
C6006	NCBA1AK-104W	C CAPACITOR	0.1uF 10V K	
C6007	NCBA1AK-104W	C CAPACITOR	0.1uF 10V K	
C6008	NCJ21CK-475X-R	C CAPACITOR	4.7uF 16V K	
C6009	NCB21CK-224X	C CAPACITOR	0.22uF 16V K	
C6010	NCB30JK-105X	C CAPACITOR	1uF 6.3V K	
C6011	NCJ21CK-475X-R	C CAPACITOR	4.7uF 16V K	
C6017	NCBA1AK-104W	C CAPACITOR	0.1uF 10V K	
C6018	NCBA1AK-104W	C CAPACITOR	0.1uF 10V K	
C6019	NCBA1CK-103W	C CAPACITOR	0.01uF 16V K	
C6020	NCBA1CK-103W	C CAPACITOR	0.01uF 16V K	
C6101	NCB21CK-105X	C CAPACITOR	1uF 16V K	
C6102	NCB10JK-106X	C CAPACITOR	10uF 6.3V K	
C6103	NCBA1HK-221W	C CAPACITOR	220pF 50V K	
C6104	NCBA1HK-102W	C CAPACITOR	1000pF 50V K	
C6201	NCB21CK-105X	C CAPACITOR	1uF 16V K	
C6202	NCB10JK-106X	C CAPACITOR	10uF 6.3V K	
C6203	NCBA1HK-102W	C CAPACITOR	1000pF 50V K	
C6204	NCBA1HK-221W	C CAPACITOR	220pF 50V K	
C6301	NCB21CK-105X	C CAPACITOR	1uF 16V K	
C6302	NCB10JK-106X	C CAPACITOR	10uF 6.3V K	
C6303	NCBA1HK-681W	C CAPACITOR	680pF 50V K	
C6305	NCBA1HK-221W	C CAPACITOR	220pF 50V K	
C6401	NCB21CK-105X	C CAPACITOR	1uF 16V K	
C6402	NCB10JK-106X	C CAPACITOR	10uF 6.3V K	
C6403	NCBA1HK-681W	C CAPACITOR	680pF 50V K	
C6405	NCBA1HK-221W	C CAPACITOR	220pF 50V K	
C6501	NCB21CK-105X	C CAPACITOR	1uF 16V K	
C6502	NCF21CZ-105X	C CAPACITOR	1uF 16V Z	
C6503	NCB11EK-105X	C CAPACITOR	1uF 25V K	
C6504	NCB11CK-475X	C CAPACITOR	4.7uF 16V K	
C6505	NCF21CZ-105X	C CAPACITOR	1uF 16V K	
C6506	NCB11EK-105X	C CAPACITOR	1uF 25V K	
C6508	NCB21CK-105X	C CAPACITOR	1uF 16V K	
C6509	NCBA1AK-333W	C CAPACITOR	0.033uF 10V K	
C6510	NCBA1AK-473W	C CAPACITOR	0.047uF 10V K	
C6511	NCB21CK-105X	C CAPACITOR	1uF 16V K	
C6512	NCB31CK-104X	C CAPACITOR	0.1uF 16V K	
C6701	NCB21CK-105X	C CAPACITOR	1uF 16V K	
C6702	NCB41CK-106X	C CAPACITOR	10uF 16V K	
C6704	NCBA1EK-472W	C CAPACITOR	4700pF 25V K	
C6705	NCBA1CK-103W	C CAPACITOR	0.01uF 16V K	
C6706	NCBA1HK-221W	C CAPACITOR	220pF 50V K	
C6707	NCBA1HK-821W	C CAPACITOR	820pF 50V K	
C6802	NCB10JK-106X	C CAPACITOR	10uF 6.3V K	
C6803	NCBA1HK-102W	C CAPACITOR	1000pF 50V K	
C6804	NCBA1HK-392W	C CAPACITOR	3900pF 50V K	
R601	NRSA6AJ-103W	MG RESISTOR	10kΩ 1/16W J	
R602	NRSA6AJ-332W	MG RESISTOR	3.3kΩ 1/16W J	
R603	NRSA6AJ-0R0W	MG RESISTOR	0Ω 1/16W J	

### REAR BOARD ASSEMBLY <05>

Symbol No.	Part No.	Part Name	Description	Local
PW1	LYA10068-01C	REAR BOARD ASSY		
IC6001	FA7737F	IC		
IC6002	LTC4412ES6-W	IC		
IC6004	S-89220ACNC-G-W	IC		
Q6002	DTC144EE-X	DIGI TRANSISTOR		
Q6002	or BCR148T-X	DIGI TRANSISTOR		
Q6002	or UN9213J-X	DIGI TRANSISTOR		
Q6002	or PDTC144EE-X	DIGI TRANSISTOR		
Q6003	SP8J5-X	MOS FET	SP8J5	
Q6101	RSR025P03-X	MOS FET		
Q6102	RSR025N03-X	MOS FET		
Q6201	RSR025P03-X	MOS FET		
Q6202	RSR025N03-X	MOS FET		
Q6301	RSR025P03-X	MOS FET		
Q6302	RTF020P02-X	MOS FET		
Q6303	2SC4617/QR/-X	TRANSISTOR		
Q6303	or BC847BT-X	TRANSISTOR		
Q6303	or 2SD2216J/QR/-X	TRANSISTOR		
Q6303	or 2SC4738/YG/-X	TRANSISTOR		
Q6303	or 2SC5383/E/-X	TRANSISTOR		
Q6401	RSR025P03-X	MOS FET		
Q6402	RTF020P02-X	MOS FET		
Q6403	2SC4617/QR/-X	TRANSISTOR		
Q6403	or BC847BT-X	TRANSISTOR		
Q6403	or 2SD2216J/QR/-X	TRANSISTOR		
Q6403	or 2SC4738/YG/-X	TRANSISTOR		
Q6403	or 2SC5383/E/-X	TRANSISTOR		
Q6404	RTF020P02-X	MOS FET		

MODEL	MARK	MODEL	MARK	MODEL	MARK
GZ-MG21EK	A	GZ-MG21EZ	D	GZ-MG26EY	G
GZ-MG21EX	B	GZ-MG24EG	E	GZ-MG26EZ	H
GZ-MG21EY	C	GZ-MG26EX	F	GZ-MG36EK	J

△ Symbol No.	Part No.	Part Name	Description	Local
R604	NRSA6AD-154W	MG RESISTOR	150kΩ 1/16W D	
R605	NRSA6AD-393W	MG RESISTOR	39kΩ 1/16W D	
R6001	NRSA6AJ-102W	MG RESISTOR	1kΩ 1/16W J	
R6002	NRSA6AJ-102W	MG RESISTOR	1kΩ 1/16W J	
R6003	NRSA6AJ-102W	MG RESISTOR	1kΩ 1/16W J	
R6004	NRSA6AJ-102W	MG RESISTOR	1kΩ 1/16W J	
R6005	NRSA6AD-303W	MG RESISTOR	30kΩ 1/16W D	
R6007	NRSA6AD-473W	MG RESISTOR	47kΩ 1/16W D	
R6008	NRSA6AD-823W	MG RESISTOR	82kΩ 1/16W D	
R6009	NRSA6AD-333W	MG RESISTOR	33kΩ 1/16W D	
R6010	NRSA63J-0R0X	MG RESISTOR	0Ω 1/16W J	
R6012	NRSA6AJ-564W	MG RESISTOR	560kΩ 1/16W J	
R6014	NRSA02J-0R0X	MG RESISTOR	0Ω 1/10W J	
R6015	NRSA02J-0R0X	MG RESISTOR	0Ω 1/10W J	
R6016	NRSA6AJ-104W	MG RESISTOR	100kΩ 1/16W J	
R6017	NRSA6AJ-514W	MG RESISTOR	510kΩ 1/16W J	
R6018	NRSA6AJ-184W	MG RESISTOR	180kΩ 1/16W J	
R6019	NRSA6AJ-824W	MG RESISTOR	820kΩ 1/16W J	
R6021	NRSA6AJ-474W	MG RESISTOR	470kΩ 1/16W J	
R6022	NRSA6AJ-104W	MG RESISTOR	100kΩ 1/16W J	
R6034	NRSA6AJ-0R0W	MG RESISTOR	0Ω 1/16W J	
R6102	NRSA63J-0R0X	MG RESISTOR	0Ω 1/16W J	
R6103	NRSA6AJ-822W	MG RESISTOR	8.2kΩ 1/16W J	
R6104	NRSA6AJ-0R0W	MG RESISTOR	0Ω 1/16W J	
R6109	NRSA6AJ-0R0W	MG RESISTOR	0Ω 1/16W J	
R6111	NRSA6AD-473W	MG RESISTOR	47kΩ 1/16W D	
R6112	NRSA6AD-822W	MG RESISTOR	8.2kΩ 1/16W D	
R6203	NRSA6AJ-0R0W	MG RESISTOR	0Ω 1/16W J	
R6204	NRSA6AJ-822W	MG RESISTOR	8.2kΩ 1/16W J	
R6205	NRSA6AD-823W	MG RESISTOR	82kΩ 1/16W D	
R6206	NRSA6AD-363W	MG RESISTOR	36kΩ 1/16W D	
R6301	NRSA6AJ-0R0W	MG RESISTOR	0Ω 1/16W J	
R6302	NRSA6AJ-103W	MG RESISTOR	10kΩ 1/16W J	
R6303	NRSA6AJ-822W	MG RESISTOR	8.2kΩ 1/16W J	
R6304	NRSA6AD-303W	MG RESISTOR	30kΩ 1/16W D	
R6305	NRSA6AD-133W	MG RESISTOR	13kΩ 1/16W D	
R6306	NRSA63J-0R0X	MG RESISTOR	0Ω 1/16W J	
R6310	NRSA6AJ-473W	MG RESISTOR	47kΩ 1/16W J	
R6311	NRSA6AJ-185W	MG RESISTOR	1.8MΩ 1/16W J	
R6313	NRSA6AJ-102W	MG RESISTOR	1kΩ 1/16W J	
R6401	NRSA6AJ-103W	MG RESISTOR	10kΩ 1/16W J	
R6402	NRSA6AD-123W	MG RESISTOR	12kΩ 1/16W D	
R6403	NRSA6AJ-822W	MG RESISTOR	8.2kΩ 1/16W J	
R6404	NRSA6AD-562W	MG RESISTOR	5.6kΩ 1/16W D	
R6405	NRSA6AJ-0R0W	MG RESISTOR	0Ω 1/16W J	
R6406	NRSA6AJ-473W	MG RESISTOR	47kΩ 1/16W J	
R6407	NRSA6AJ-185W	MG RESISTOR	1.8MΩ 1/16W J	
R6409	NRSA6AJ-102W	MG RESISTOR	1kΩ 1/16W J	
R6412	NRSA6AJ-185W	MG RESISTOR	1.8MΩ 1/16W J	
R6502	NRSA6AD-104W	MG RESISTOR	100kΩ 1/16W D	
R6503	NRSA6AD-913W	MG RESISTOR	91kΩ 1/16W D	
R6504	NRSA6AJ-103W	MG RESISTOR	10kΩ 1/16W J	
R6505	NRSA6AJ-333W	MG RESISTOR	33kΩ 1/16W J	
R6507	NRSA6AJ-754W	MG RESISTOR	750kΩ 1/16W J	
R6509	NRSA63J-102X	MG RESISTOR	1kΩ 1/16W J	
R6512	NRSA6AJ-103W	MG RESISTOR	10kΩ 1/16W J	
R6513	NRSA6AJ-272W	MG RESISTOR	2.7kΩ 1/16W J	
R6702	NRV142F-R20X	CMF RESISTOR	0.2Ω 1/4W F	
R6703	NRSA6AJ-105W	MG RESISTOR	1MΩ 1/16W J	
R6704	NRSA6AJ-105W	MG RESISTOR	1MΩ 1/16W J	
R6708	NRSA6AD-133W	MG RESISTOR	13kΩ 1/16W D	
R6709	NRSA6AD-104W	MG RESISTOR	100kΩ 1/16W D	
R6710	NRSA6AJ-124W	MG RESISTOR	120kΩ 1/16W J	
R6712	NRSA6AJ-561W	MG RESISTOR	560kΩ 1/16W J	
R6713	NRSA6AJ-224W	MG RESISTOR	220kΩ 1/16W J	
R6714	NRSA6AJ-472W	MG RESISTOR	4.7kΩ 1/16W J	
R6715	NRSA6AD-103W	MG RESISTOR	10kΩ 1/16W D	
R6716	NRSA6AJ-822W	MG RESISTOR	8.2kΩ 1/16W J	
R6717	NRSA6AD-393W	MG RESISTOR	39kΩ 1/16W D	
R6718	NRSA6AJ-0R0W	MG RESISTOR	0Ω 1/16W J	
R6719	NRSA63J-0R0X	MG RESISTOR	0Ω 1/16W J	
R6802	NRSA6AJ-472W	MG RESISTOR	4.7kΩ 1/16W J	
R6803	NRSA6AJ-102W	MG RESISTOR	1kΩ 1/16W J	
L6101	NQL52EM-390X	COIL	39uH M	
L6201	NQL52EM-680X	COIL	68uH M	
L6301	NQL52EM-390X	COIL	39uH M	
L6401	NQL52EM-390X	COIL	39uH M	

△ Symbol No.	Part No.	Part Name	Description	Local
L6501	NQL52EM-221X	COIL	220uH M	
L6502	NQL38DK-100X	P COIL	10uH K	
L6701	NQL52EM-470X	COIL	47uH M	
L6801	NQL79GM-470X	COIL	47uH M	
CN6001	QGF0508F3-53X	CONNECTOR	KIN MAIN FFC/FPC (1-53)	
CN6002	QGF0534F2-06X	CONNECTOR	KIN TRIG FFC/FPC (1-6)	
△ F6001	NMFZ007-2R5X-K	FUSE	2.5A 24V	
△ F6002	NMFZ007-2R5X-K	FUSE	2.5A 24V	
△ F6301	NMFZ007-1R25X-K	FUSE	1.25A 32V	
△ F6501	NMFZ007-R80X-K	FUSE	0.8A 32V	
J601	QNA0039-001	DC JACK	DC JACK	
BT1	LY35291-001A	BATT.TERMINAL	BATT TERMIN	
OT1	QAL0782-002	FPC	TO MAIN	

### MONITOR BOARD ASSEMBLY <06>

△ Symbol No.	Part No.	Part Name	Description	Local
PW2	LYA10070-01B2	MONITOR BOARD ASSY		A,B,C,D
PW2	LYA10069-01B2	MONITOR BOARD ASSY		E,F,G,H,J
IC7601	DN8797MS-X	IC		
Q7702	UMD3N-W	DIGI TRANSISTOR		
Q7703	UMX1N-W	PAIR TRANSISTOR		
Q7703	or PUMX1-W	PAIR TRANSISTOR		
Q7703	or BC847S-X	PAIR TRANSISTOR		
Q7703	or KTC801U/G-X	PAIR TRANSISTOR		
Q7703	or RT3CLLM/EF/-X	PAIR TRANSISTOR		
C7601	NCB31HK-473X	C CAPACITOR	0.047uF 50V K	A,B,C,D
C7602	NCB31HK-471X	C CAPACITOR	470pF 50V K	A,B,C,D
C7602	NCB10JK-106X	C CAPACITOR	10uF 6.3V K	E,F,G,H,J
C7603	NBE90JM-106X	TA E CAPACITOR	10uF 6.3V M	A,B,C,D
C7603	NCB31CK-105X	C CAPACITOR	1uF 16V K	E,F,G,H,J
C7604	NCB31HK-103X	C CAPACITOR	0.01uF 50V K	A,B,C,D
C7604	NCB31CK-105X	C CAPACITOR	1uF 16V K	E,F,G,H,J
C7605	NBE90JM-106X	TA E CAPACITOR	10uF 6.3V M	A,B,C,D
C7605	NCB31CK-105X	C CAPACITOR	1uF 16V K	E,F,G,H,J
C7606	NCB30JK-105X	C CAPACITOR	1uF 6.3V K	A,B,C,D
C7607	NBE90JM-106X	TA E CAPACITOR	10uF 6.3V M	A,B,C,D
C7607	NCB11EK-105X	C CAPACITOR	1uF 25V K	E,F,G,H,J
C7608	NCB31HK-103X	C CAPACITOR	0.01uF 50V K	A,B,C,D
C7608	NCB31CK-105X	C CAPACITOR	1uF 16V K	E,F,G,H,J
C7609	NCB31CK-105X	C CAPACITOR	1uF 16V K	A,B,C,D
C7609	NCB11EK-105X	C CAPACITOR	1uF 25V K	E,F,G,H,J
C7610	NCB31CK-105X	C CAPACITOR	1uF 16V K	A,B,C,D
C7610	NCB11EK-105X	C CAPACITOR	1uF 25V K	E,F,G,H,J
C7611	NCB31CK-105X	C CAPACITOR	1uF 16V K	A,B,C,D
C7611	NCB11EK-105X	C CAPACITOR	1uF 25V K	E,F,G,H,J
C7612	NCB31CK-105X	C CAPACITOR	1uF 16V K	A,B,C,D
C7612	NCB11EK-105X	C CAPACITOR	1uF 25V K	E,F,G,H,J
C7613	NCB31CK-105X	C CAPACITOR	1uF 16V K	A,B,C,D
C7613	NCB31EK-153X	C CAPACITOR	0.015uF 25V K	E,F,G,H,J
C7614	NBE90JM-106X	TA E CAPACITOR	10uF 6.3V M	A,B,C,D
C7614	NCB31CK-224X	C CAPACITOR	0.22uF 16V K	E,F,G,H,J
C7615	NBE20JM-476X	TA E CAPACITOR	47uF 6.3V M	A,B,C,D
C7616	NCB31CK-105X	C CAPACITOR	1uF 16V K	A,B,C,D
C7617	NCB31CK-105X	C CAPACITOR	1uF 16V K	A,B,C,D
C7618	NBP21CM-106X	TA E CAPACITOR	10uF 16V M	A,B,C,D
C7619	NCB31CK-105X	C CAPACITOR	1uF 16V K	A,B,C,D
C7703	NCB31EK-103X	C CAPACITOR	0.01uF 25V K	
C7704	NCB31EK-104X	C CAPACITOR	0.1uF 25V K	
R7501	NRSA63J-332X	MG RESISTOR	3.3kΩ 1/16W J	
R7502	NRSA63J-682X	MG RESISTOR	6.8kΩ 1/16W J	
R7503	NRSA63J-223X	MG RESISTOR	22kΩ 1/16W J	
R7601	NRSA63J-0R0X	MG RESISTOR	0Ω 1/16W J	E,F,G,H,J
R7602	NRSA63J-103X	MG RESISTOR	10kΩ 1/16W J	A,B,C,D
R7603	NRSA63J-101X	MG RESISTOR	100Ω 1/16W J	A,B,C,D
R7603	NRSA63J-0R0X	MG RESISTOR	0Ω 1/16W J	E,F,G,H,J
R7604	NRSA63J-124X	MG RESISTOR	120kΩ 1/16W J	A,B,C,D
R7605	NRSA63J-0R0X	MG RESISTOR	0Ω 1/16W J	
R7606	NRSA63J-104X	MG RESISTOR	100kΩ 1/16W J	A,B,C,D
R7606	NRSA63J-0R0X	MG RESISTOR	0Ω 1/16W J	E,F,G,H,J

MODEL	MARK	MODEL	MARK	MODEL	MARK
GZ-MG21EK	A	GZ-MG21EZ	D	GZ-MG26EY	G
GZ-MG21EX	B	GZ-MG24EG	E	GZ-MG26EZ	H
GZ-MG21EY	C	GZ-MG26EX	F	GZ-MG36EK	J

Symbol No.	Part No.	Part Name	Description	Local
R7607	NRSA63J-100X	MG RESISTOR	10Ω 1/16W J	A,B,C,D
R7607	NRSA63D-332X	MG RESISTOR	3.3kΩ 1/16W D	E,F,G,H,J
R7608	NRSA63J-100X	MG RESISTOR	10Ω 1/16W J	A,B,C,D
R7608	NRSA63J-106X	MG RESISTOR	10MΩ 1/16W J	E,F,G,H,J
R7609	NRSA63J-100X	MG RESISTOR	10Ω 1/16W J	A,B,C,D
R7609	NRSA63J-0R0X	MG RESISTOR	0Ω 1/16W J	E,F,G,H,J
R7610	NRSA63J-0R0X	MG RESISTOR	0Ω 1/16W J	
R7703	NRSA63J-332X	MG RESISTOR	3.3kΩ 1/16W J	
R7705	NRSA63J-102X	MG RESISTOR	1kΩ 1/16W J	A,B,C,D
R7705	NRSA63J-911X	MG RESISTOR	910Ω 1/16W J	E,F,G,H,J
R7706	NRSA63J-240X	MG RESISTOR	24Ω 1/16W J	A,B,C,D
R7706	NRSA63J-200X	MG RESISTOR	20Ω 1/16W J	E,F,G,H,J
L7601	NQL382M-100X	COIL	10uH M	A,B,C,D
L7602	NQL382M-100X	COIL	10uH M	A,B,C,D
L7602	NQL38DK-101X	P COIL	100uH K	E,F,G,H,J
CN7601	QGF0508F3-12X	CONNECTOR	KIN OPE FFC/FPC (1-12)	
CN7602	QGF0508F3-12X	CONNECTOR	KIN OPE FFC/FPC (1-12)	
CN7603	QGF0508F3-40X	CONNECTOR	KIN LCD FFC/FPC (1-40)	A,B,C,D
CN7603	QGF0534F2-36X	CONNECTOR	KIN LCD FFC/FPC (1-36)	E,F,G,H,J
CN7701	QGF0508F3-06X	CONNECTOR	LED BL FFC/FPC (1-6)	
S7501	NSW0288-001X	TACT SWITCH	CROSSKEY	
S7502	NSW0198-001X	TACT SWITCH	MENU	
OT1	QAL0687-001	FPC		