

PARTS LIST

SAFETY PRECAUTION

Parts identified by the \triangle symbol are critical for safety. Replace only with specified part numbers.

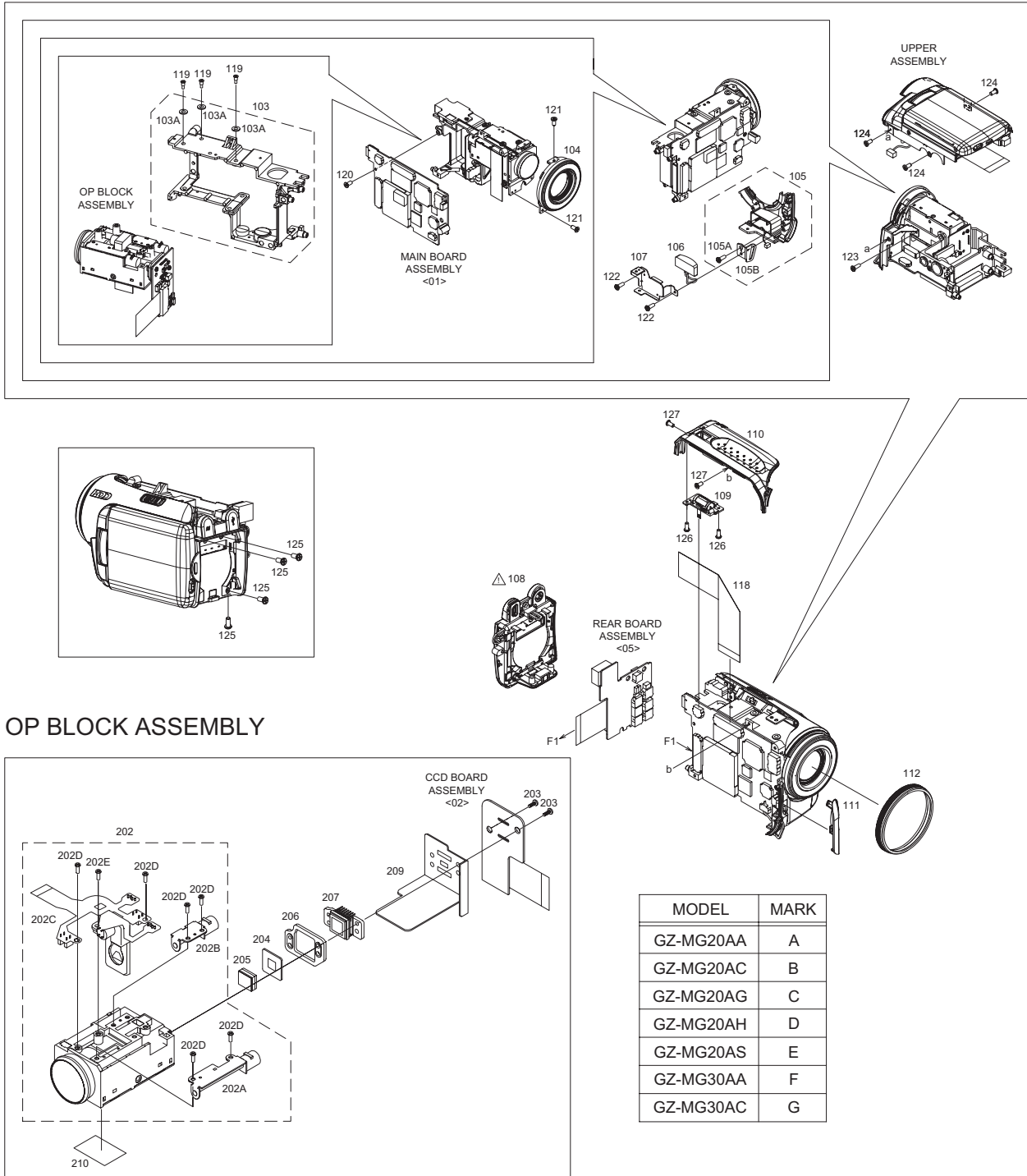
BEWARE OF BOGUS PARTS

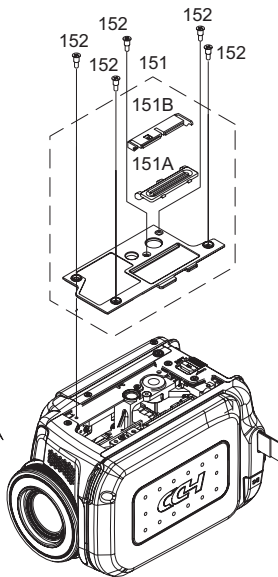
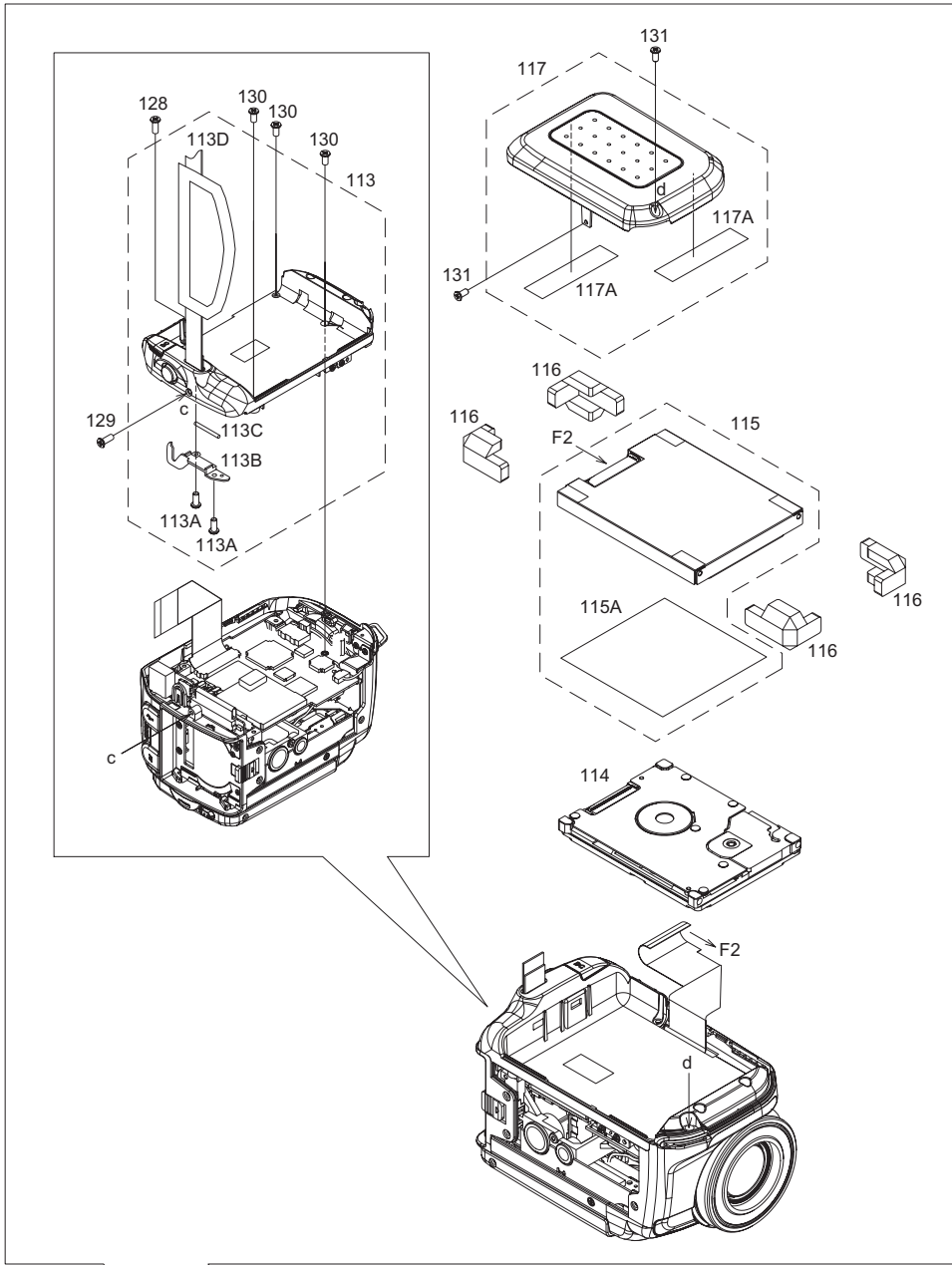
Parts that do not meet specifications may cause trouble in regard to safety and performance. We recommend that genuine JVC parts be used.

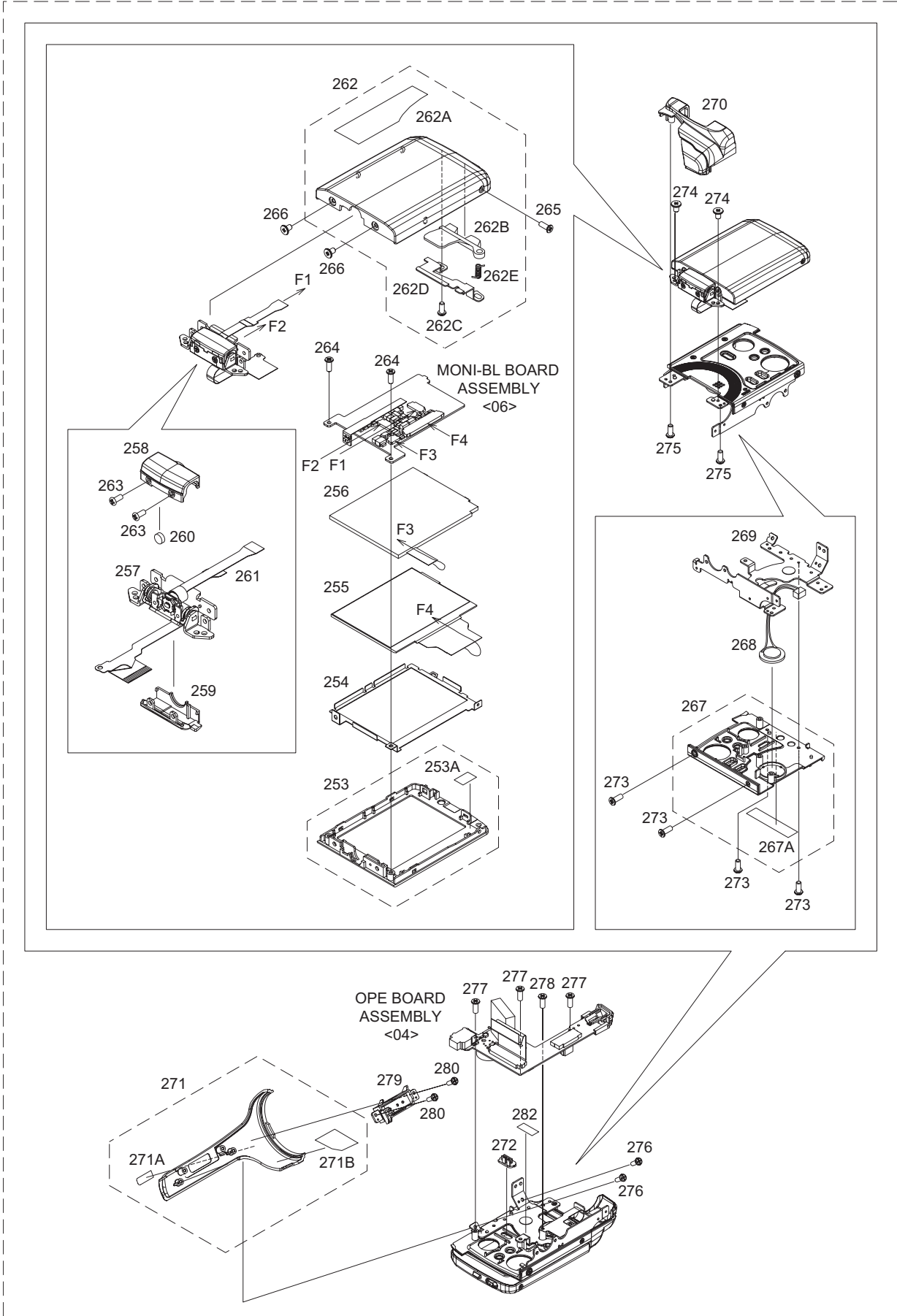
1. EXPLODED VIEW

1.1 FINAL ASSEMBLY<M1>

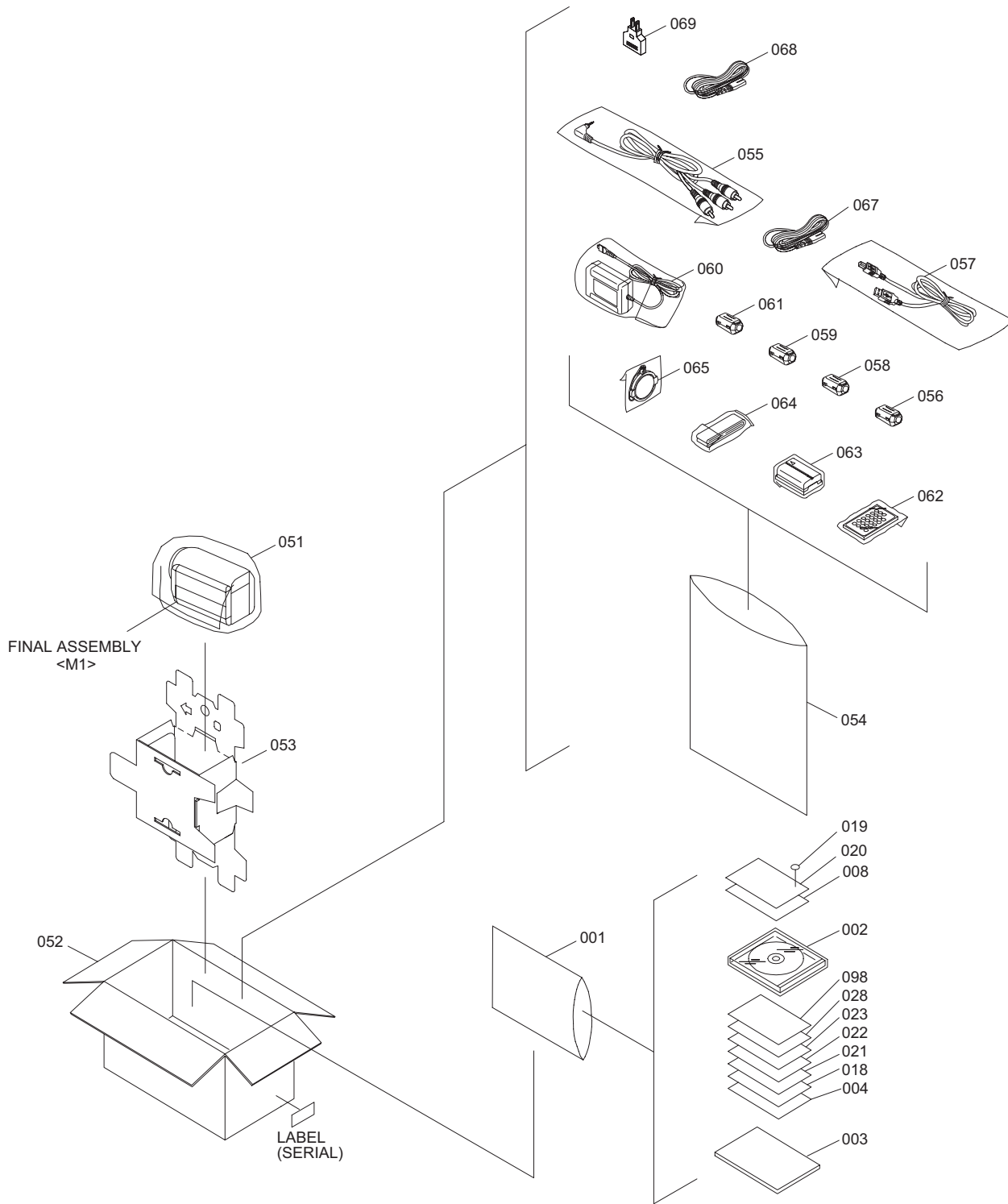
The instruction manual to be provided with this product will differ according to the destination.







1.2 PACKING AND ACCESSORY ASSEMBLY <M5>



MODEL	MARK	MODEL	MARK	MODEL	MARK
GZ-MG20AA	A	GZ-MG20AH	D	GZ-MG30AC	G
GZ-MG20AC	B	GZ-MG20AS	E		
GZ-MG20AG	C	GZ-MG30AA	F		

2. PARTS LIST

FINAL ASSEMBLY <M1>

Symbol No.	Part No.	Part Name	Description	Local
	103	LY21411-001B	FRAME ASSY	A
	103	LY21411-001C	FRAME ASSY	B,C,D,E,F,G
	103A	LY35026-001A	BUSH(OP)	(x3)
	104	LY34991-001B	HOOD	
	105	LY34972-001B	FRONT COVER ASSY	
	105A	LY30031-096A	SPECIAL SCREW	FOR HOOK
	105B	LY34973-001A	HOOK(G.B)	
	106	LY35033-001A	MIC	
	107	LY34976-001A	BKT(MIC)	
Δ	108	LY34978-001C	REAR COVER ASSY	
	109	LY34990-001B	ZOOM UNIT	A
	109	LY34990-001C	ZOOM UNIT	B,C,D,E,F,G
	110	LY34982-001D	TOP COVER ASSY	
	111	LY34975-001A	WINDOW(W.B.S)	
	112	LY34992-001C	RING	
Δ	113	LY35067-001G	COVER(BELT)ASSY	
	113A	LY30031-096A	SPECIAL SCREW	HOL.SH-HDB(x2)
	113B	LY35008-001B	HOLDER(SHAFT)	
	113C	LY34997-001A	SHAFT(G.B)	
	113D	LY21416-001B	GRIP BELT	
	114	QAL0722-001	HDD	(HITACHI) A,B,C,D,E
	114	QAL0722-002	HDD	(HITACHI) F,G
	115	LY35085-001B	BKT(HDD) ASSY	
	115A	LY35173-001A	SHEET(HDD)	
	116	LY34998-001A	GEL	(x4)
	117	LY35068-001C	GRIP COVER ASSY	F,G
	117	LY35068-003C	GRIP COVER ASSY	A,B,C,D,E
	117A	LY35010-001A	SHEET(GEL)	(x2)
	118	QAL0739-001	FPC	MAIN-HDD
	119	LY30032-021A	SPECIAL SCREW	OP(x3)
	120	LY30031-0K7A	SPECIAL SCREW	MAIN-FRM
	121	LY30031-0K7A	SPECIAL SCREW	HOOD-FRM(x2)
	122	LY30031-096A	SPECIAL SCREW	BK.MIC-FCO(x2)
	123	LY30031-0K7A	SPECIAL SCREW	F.COV-FRM
	124	LY30031-0K7A	SPECIAL SCREW	UPPER-FRM(x3)
	125	LY30031-0K7A	SPECIAL SCREW	REA-PWB-FR(x4)
	126	LY30031-096A	SPECIAL SCREW	ZOOM-TOP(x2)
	127	LY30031-0K7A	SPECIAL SCREW	TOP-FRM(x2)
	128	LY30031-096A	SPECIAL SCREW	HDD.B-ZOOM
	129	LY30031-096A	SPECIAL SCREW	HDD.B-REA.C
	130	LY30031-0K7A	SPECIAL SCREW	HDD.B-FRM(x3)
	131	LY30031-0K7A	SPECIAL SCREW	GRIP.C-GB(x2)
	151	LY35007-001B	BOTTOM COVER ASSY	A
	151	LY35007-001C	BOTTOM COVER ASSY	B,C,D,E,F,G
	151A	LY34986-001A	COVER(SD)	
	151B	LY34988-001A	HOLDER(SD)	
	152	LY30031-0K7A	SPECIAL SCREW	B.COVER(x5)
	202	LY34620-002A	OP BLOCK ASSY	
	202A	PTY34620-001	ZOOM MOTOR UNIT	
	202B	PTY34620-002	FOCUS MOTOR UNIT	
	202C	PTY34620-206	AUTO IRIS UNIT	
	202D	PTY34620-530	TAP SCREW	(x6)
	202E	PTY34620-535	TAP SCREW	(x2)
	203	LY30031-0L2A	SPECIAL SCREW	
	204	LY44893-001A	SHEET	
	205	LY44120-001A	OPTICAL LPF	
	206	LY34628-001A	SPACER	
	207	LYH30650-002A	CCD BASE ASSY	
	209	LY35116-001A	SHIELD CCD	
	210	LY30034-0X7A	SPACER(A)	
	250	LY45082-008A	UPPER ASSY	FOR JVM A,B,C,D,E
	250	LY45082-009A	UPPER ASSY	FOR JVM F,G
	253	LY35086-001A	MONITOR CASE ASSY	F,G
	253	LY35086-003A	MONITOR CASE ASSY	A,B,C,D,E
	253A	LY30034-0X6A	SPACER(A)	
	254	LY21402-001A	S.CASE(LCD)	
	255	QLD0357-001	LCD MODULE	
	256	QLL0174-001	BACK LIGHT	
	257	LY35075-001A	HINGE UNIT	YEM
	258	LY35003-001B	HINGE COVER(U)	F,G
	258	LY35003-003B	HINGE COVER(U)	A,B,C,D,E
	259	LY34965-001A	HINGE COVER(L)	F,G
	259	LY34965-002A	HINGE COVER(L)	A,B,C,D,E
	260	LY42355-001A	P.C.MAGNET	

Symbol No.	Part No.	Part Name	Description	Local
	261	QAL0686-001	FPC	
	262	LY21403-002B	MONITOR COVER ASSY	F,G
	262	LY21403-008B	MONITOR COVER ASSY	A,B,C,D,E
	262A	LY35004-001B	STICKER	A,B,C,D,E
	262A	LY35004-002B	STICKER	F,G
	262B	LY45072-001A	KNOB	F,G
	262B	LY45072-002A	KNOB	A,B,C,D,E
	262C	LY30031-096A	SPECIAL SCREW	
	262D	LY34963-001A	HOLDER(KNOB)	
	262E	LY45073-001A	TORSION SPRING	
	263	LY30031-0K7A	SPECIAL SCREW	HCOV-HINGE(x2)
	264	LY30031-096A	SPECIAL SCREW	PWB(x2)
	265	LY30031-0K7A	SPECIAL SCREW	M.COVER
	266	LY30031-0K9A	SPECIAL SCREW	HINGE(x2)
	267	LY21404-001B	UPPER CASE(L) ASSY	F,G
	267	LY21404-005B	UPPER CASE(L) ASSY	A,B,C,D,E
	267A	LY45092-001A	SHEET(CAUTION)	
	268	QAS0365-001	SPEAKER	
	269	LY21406-002B	BKT(UPPER)	
	270	LY35025-001B	COVER(HINGE)ASSY	F,G
	270	LY35025-003B	COVER(HINGE)ASSY	A,B,C,D,E
	271	LY35005-001D	UPPER CASE(U) ASSY	F,G
	271	LY35005-003D	UPPER CASE(U) ASSY	A,B,C,D,E
	271A	LY34966-001A	BADGE	
	271B	LY35165-001B	SHEET(UPPER)	
	272	LY34970-001B	KNOB(V/D)	
	273	LY30031-0K7A	SPECIAL SCREW	U.C.U-BKTU(x4)
	274	LY30031-0K9A	SPECIAL SCREW	HINGE-BKTU(x2)
	275	LY30031-096A	SPECIAL SCREW	COV(HINGE)(x2)
	276	LY30031-096A	SPECIAL SCREW	BKTU-U.C.U(x2)
	277	LY30031-096A	SPECIAL SCREW	PWB-U.C.L(x3)
	278	LY30031-096A	SPECIAL SCREW	FPC-U.C.L
	279	LY35021-001B	POWER SW ASSY	F,G
	279	LY35021-003B	POWER SW ASSY	A,B,C,D,E
	280	LY30031-096A	SPECIAL SCREW	P.SW-U.C.U(x2)
	282	LY45112-001A	HEAT SHEET	OP

PACKING AND ACCESSORY ASSEMBLY <M5>

Symbol No.	Part No.	Part Name	Description	Local
	001	LY34452-001A	POLY BAG	DOCUMENT
	002	LY32210-0C1A	CD ROM ASSY	
Δ	003	LYT1480-001A	INST BOOK(EN)	(ENGLISH) A,C,D,E,F
Δ	003	LYT1480-002A	INST BOOK(S-CH)	(CHINESE) B,C,D,G
Δ	003	LYT1480-003A	INST BOOK(RU)	(RUSSIAN) E
Δ	003	LYT1480-004A	INST BOOK(AR)	(ARABIC) C,E
Δ	003	LYT1480-005A	INST BOOK(GE)	(GERMAN) E
Δ	003	LYT1480-006A	INST BOOK(FR)	(FRENCH) E
Δ	003	LYT1480-007A	INST BOOK(PE)	(PERSIAN) E
	004	LYT1469-001A	INST BOOK(SOFTEN)	(SOFT.ENGLISH) A,C,D,E,F
	004	LYT1469-002A	INST BOOK(SOFTGE)	(SOFT.GERMAN) E
	004	LYT1469-003A	INST BOOK(SOFT.FR)	(SOFT.FRENCH) E
	004	LYT1469-011A	INST BOOK(SOFT.RU)	(SOFT.RUSSIAN) E
	004	LYT1469-015A	INST BOOK(SOFT.S-CH)	(SOFT.CHINESE) B,C,D,G
	004	LYT1469-016A	INST BOOK(SOFT.AR)	(SOFT.ARABIC) C,E
	004	LYT1469-019A	INST BOOK(SOFT.PE)	(SOFT.PERSIAN) E
	008	-----	WARRANTY CARD	BT-56012-1 A,F
	018	YU30552-135	QUEST.CARD	B,G
	019	BT-59020-1	SEAL	B,G
	020	-----	WARRANTY CARD	BT-59019-1 B,G
	021	BT-59021-4	SVC CENTER LIST	B,G
	022	LYT1480-008A	SHEET(ASIA)	B,C,D,E,G
	023	LYT1468-004A	SHEET(EN)	A,F
	028	LY35200-003A	SHEET(ACC GUIDE)	
	051	LY30023-034A	POLY BAG	FOR JVM
	052	LY35013-005B	PACKING CASE	PRODUCTION A,C,E,F
	052	LY35013-006A	PACKING CASE	PRODUCTION B,D,G
	053	LY21420-001A	CUSHION	
	054	QPA02503505P	POLY BAG	ACC.25cm x 35cm
	055	QAM0508-001	A/V CABLE	
	056	QQR0918-004	CORE FILTER	AV
	057	QAM0719-001	USB CABLE	
	058	QQR0491-004	CORE FILTER	USB 1T

MODEL	MARK	MODEL	MARK	MODEL	MARK
GZ-MG20AA	A	GZ-MG20AH	D	GZ-MG30AC	G
GZ-MG20AC	B	GZ-MG20AS	E		
GZ-MG20AG	C	GZ-MG30AA	F		

Symbol No.	Part No.	Part Name	Description	Local
059	QQR0491-004	CORE FILTER	S 1T	
△ 060	LY21104-001E	AC ADAPTER	AP-V14E	A,D,F
△ 060	LY21104-002C	AC ADAPTER	AP-V14A	E
△ 060	LY21104-003D	AC ADAPTER	AP-V14AC	B,G
△ 060	LY21343-001B	AC ADAPTER	AP-V17E	C
061	QQR0917-004	CORE FILTER	DC	
062	LY21430-002A	REMOTE CTL UNIT	RM-V730US	
△ 063	LY34647-002B	BATTERY PACK	BN-VF707U	
064	LY21397-002A	SHOULDER STRAP		
065	LY34194-002A	HOOD CAP ASSY		
△ 067	QMPH040-190-JR	POWER CORD(AST)	AS/NZS 1.9m BLACK	A,F
△ 067	QMPL270-190-JR	POWER CORD(EU)	CEE 1.9m BLACK	E
△ 067	QMPS260-190-JR	POWER CORD	CCC 1.9m BLACK	B,G
△ 068	QMPL270-190-JR	POWER CORD(EU)	CEE 1.9m BLACK	D
△ 069	QAM0001-001	CONVERSION PLUG	FIX AC CO.	D
098	LYT1468-011A	SHEET(INFO-DEMO)		A,B,C,D,F,G

Symbol No.	Part No.	Part Name	Description	Local
Q2202	UMX18N-W	PAIR TRANSISTOR		
Q2401	2SC4617/QR/-X	TRANSISTOR		
Q2401	or BC847BT-X	TRANSISTOR		
Q2403	2SC4617/QR/-X	TRANSISTOR		
Q2403	or BC847BT-X	TRANSISTOR		
Q3201	UMT11N-W	PAIR TRANSISTOR		
Q3201	or BC856S-X	PAIR TRANSISTOR		
Q3201	or PUMT1-W	PAIR TRANSISTOR		
Q3201	or XP4401-W	TRANSISTOR		
Q3202	2SC4617/QR/-X	TRANSISTOR		
Q3202	or BC847BT-X	TRANSISTOR		
Q3701	BC847PN-X	PAIR TRANSISTOR		
Q4001	2SC4617/RS/-X	TRANSISTOR		
Q4001	or BC847BT-X	TRANSISTOR		
Q4001	or 2SD2216J/RS/-X	TRANSISTOR		
Q4501	DTC144EE-X	DIGI TRANSISTOR		LAMP_ON
Q4501	or BCR148T-X	DIGI TRANSISTOR		LAMP_ON
Q4501	or UN9213J-X	DIGI TRANSISTOR		LAMP_ON
Q4501	or PDC144EE-X	DIGI TRANSISTOR		LAMP_ON
Q4951	DTC114EE-X	DIGI TRANSISTOR		
Q4951	or BCR133T-X	DIGI TRANSISTOR		
Q4951	or UN9211J-X	DIGI TRANSISTOR		
Q4951	or PDC114EE-X	DIGI TRANSISTOR		
Q7801	UMX1N-W	PAIR TRANSISTOR		
Q7801	or BC847S-X	PAIR TRANSISTOR		
Q7801	or PUMX1-W	PAIR TRANSISTOR		
Q7801	or XP4501-W	TRANSISTOR		
Q7802	UMX1N-W	PAIR TRANSISTOR		
Q7802	or BC847S-X	PAIR TRANSISTOR		
Q7802	or PUMX1-W	PAIR TRANSISTOR		
Q7802	or XP4501-W	TRANSISTOR		
Q7803	UMX1N-W	PAIR TRANSISTOR		
Q7803	or BC847S-X	PAIR TRANSISTOR		
Q7803	or PUMX1-W	PAIR TRANSISTOR		
Q7803	or XP4501-W	TRANSISTOR		
△ D191	RB715W-X	SB DIODE		
D1001	DA221-X	DIODE ARRAY		
D1002	1SS376-X	SI DIODE		
D4003	1SS376-X	SI DIODE		
D5501	1SS355-X	SI DIODE		
D5501	or MA111-X	SI DIODE		
C111	NBE40JM-476X	TA E CAPACITOR	47uF 6.3V M	
C122	NCBA1AK-104W	C CAPACITOR	0.1uF 10V K	
C141	NBE20JM-106X	TA E CAPACITOR	10uF 6.3V M	
C142	NCBA1AK-104W	C CAPACITOR	0.1uF 10V K	
C171	NBE20JM-106X	TA E CAPACITOR	10uF 6.3V M	
C172	NBE20JM-106X	TA E CAPACITOR	10uF 6.3V M	
C1001	NCBA1AK-104W	C CAPACITOR	0.1uF 10V K	
C1004	NCBA1AK-104W	C CAPACITOR	0.1uF 10V K	
C1005	NBE20JM-106X	TA E CAPACITOR	10uF 6.3V M	
C1006	NDCA1HJ-8R0W	C CAPACITOR	8pF 50V J	
C1008	NCBA1CK-103W	C CAPACITOR	0.01uF 16V K	
C1013	NCBA1CK-103W	C CAPACITOR	0.01uF 16V K	
C1014	NCBA1CK-103W	C CAPACITOR	0.01uF 16V K	
C1015	NCBA1CK-103W	C CAPACITOR	0.01uF 16V K	
C1016	NCBA1CK-103W	C CAPACITOR	0.01uF 16V K	
C1017	NCBA1CK-103W	C CAPACITOR	0.01uF 16V K	
C1018	NCBA1CK-103W	C CAPACITOR	0.01uF 16V K	
C1020	NCBA1CK-103W	C CAPACITOR	0.01uF 16V K	
C1025	NCBA1AK-104W	C CAPACITOR	0.1uF 10V K	
C1026	NCBA1AK-104W	C CAPACITOR	0.1uF 10V K	
C1031	NCF31AZ-105X	C CAPACITOR	1uF 10V Z	
C1034	NCBA1CK-103W	C CAPACITOR	0.01uF 16V K	
C1043	NCBA1CK-103W	C CAPACITOR	0.01uF 16V K	
C1044	NCBA1CK-103W	C CAPACITOR	0.01uF 16V K	
C1045	NCBA1CK-103W	C CAPACITOR	0.01uF 16V K	
C1046	NCBA1AK-104W	C CAPACITOR	0.1uF 10V K	
C2202	NCB30JK-105X	C CAPACITOR	1uF 6.3V K	
C2203	NCB30JK-105X	C CAPACITOR	1uF 6.3V K	
C2204	NCB30JK-105X	C CAPACITOR	1uF 6.3V K	
C2205	NCB30JK-105X	C CAPACITOR	1uF 6.3V K	
C2209	NCB30JK-105X	C CAPACITOR	1uF 6.3V K	
C2210	NCB30JK-105X	C CAPACITOR	1uF 6.3V K	
C2213	NCB30JK-105X	C CAPACITOR	1uF 6.3V K	
C2214	NCB30JK-105X	C CAPACITOR	1uF 6.3V K	
C2217	NCBA1AK-104W	C CAPACITOR	0.1uF 10V K	

MAIN BOARD ASSEMBLY <01>

Symbol No.	Part No.	Part Name	Description	Local
PW1	LYA10053-03H	MAIN BOARD ASSY		
IC121	NAL0035-001X	SHOCK SENSOR		
IC171	KSM-2003LN2E	IR DETECT UNIT		
IC1001	MN102H60GJA1	IC(MICRO C ROM)	MP MASK	
IC1001	or MN102HF60GJA1	IC(MICRO C ROM)	MP FLASH	
IC1001	or MN102H60GJA	IC(MICRO C ROM)	MP MASK	
IC1002	RS5C314-X	IC		
IC1003	S-80827CNNB-G-W	IC		
IC1004	SN74AHC1G08DC-X	IC		
IC1004	or 74AHC1G08GW-X	IC		
IC1005	SN74AHC1G04DC-X	IC		
IC1007	TC75S56FU-X	IC		
IC1007	or NJU7108F3-X	IC		
IC2201	AK4660VQ	IC	48P0.5	
IC3001	UPD61152F1-A03	IC(MICRO C ROM)		
IC3002	K4S28323LF-HN75	IC	128M 32BIT	
IC3201	JCP8075	IC		
IC3202	MB90099PFV137EX	IC(MICRO C ROM)		
IC3204	R1100D251C-X	IC		
IC3701	LA73076V-X	IC		
IC4001	SIP1280ISD-DVA2	IC		
IC4001	or SIP1280ISD-DVA3	IC		
IC4002	SN74AHC1G04DC-X	IC		
IC4003	R1114N331B-X	IC	3.3V REG	
IC4201	HD49340NP-X	IC	CDS/AD	
IC4202	MM3143BN-X	IC	3.1V-REG	
IC4301	SG32M90TFIR4B11	IC(MICRO C ROM)	4M FLASH	
IC4302	K4S56323LF-HN75	IC	256M FBGA	
IC4401	JCY0227	IC		
IC4402	ICS570BLF-X	IC		
IC4501	JCY0209-2	IC		
IC4502	M95320-WD6-X	IC	EEPROM	
IC4901	LY34853-001A	CSP IC ASSY	(SERVICE)	
IC4902	MM1614GN-X	IC		
IC4951	AN41902A	IC		
IC5501	JCY0185	IC	TG/VDRV	
IC5801	TC75S54FU-X	IC		
IC5801	or NJU7008F3-X	IC		
IC5852	NAL0029-001X	GYRO SENSOR	MURATA	
Q131	DTC144EE-X	DIGI TRANSISTOR		
Q131	or BCR148T-X	DIGI TRANSISTOR		
Q131	or UN9213J-X	DIGI TRANSISTOR		
Q131	or PDC144EE-X	DIGI TRANSISTOR		
Q171	RPM-22PB	PHOTO TRANSISTOR		
Q1001	DTC124EE-X	DIGI TRANSISTOR		
Q1002	2SC4617/RS/-X	TRANSISTOR		
Q1002	or 2SD2216J/RS/-X	TRANSISTOR		
Q1002	or BC847BT-X	TRANSISTOR		
Q1003	DTA124EE-X	DIGI TRANSISTOR		
Q1004	2SC4617/RS/-X	TRANSISTOR		
Q1004	or 2SD2216J/RS/-X	TRANSISTOR		
Q1004	or BC847BT-X	TRANSISTOR		
Q1005	2SJ347-X	MOS FET		

MODEL	MARK	MODEL	MARK	MODEL	MARK
GZ-MG20AA	A	GZ-MG20AH	D	GZ-MG30AC	G
GZ-MG20AC	B	GZ-MG20AS	E		
GZ-MG20AG	C	GZ-MG30AA	F		

△ Symbol No.	Part No.	Part Name	Description	Local	△ Symbol No.	Part No.	Part Name	Description	Local
C2218	NCBA1AK-104W	C CAPACITOR	0.1uF 10V K		C4014	NCBA1HK-102W	C CAPACITOR	1000pF 50V K	
C2223	NCBA1AK-104W	C CAPACITOR	0.1uF 10V K		C4015	NCBA1CK-103W	C CAPACITOR	0.01uF 16V K	
C2224	NCBA1AK-104W	C CAPACITOR	0.1uF 10V K		C4016	NCBA1AK-104W	C CAPACITOR	0.1uF 10V K	
C2401	NBE20JM-106X	TA E CAPACITOR	10uF 6.3V M		C4017	NCBA1CK-103W	C CAPACITOR	0.01uF 16V K	
C2402	NBE20JM-106X	TA E CAPACITOR	10uF 6.3V M		C4018	NCBA1AK-104W	C CAPACITOR	0.1uF 10V K	
C2403	NBE20JM-106X	TA E CAPACITOR	10uF 6.3V M		C4019	NCBA1AK-104W	C CAPACITOR	0.1uF 10V K	
C2404	NBE20JM-106X	TA E CAPACITOR	10uF 6.3V M		C4020	NCBA1HK-102W	C CAPACITOR	1000pF 50V K	
C2405	NCBA1AK-104W	C CAPACITOR	0.1uF 10V K		C4021	NCBA1CK-103W	C CAPACITOR	0.01uF 16V K	
C2406	NBE20JM-106X	TA E CAPACITOR	10uF 6.3V M		C4022	NCBA1AK-104W	C CAPACITOR	0.1uF 10V K	
C2603	NCBA1CK-223W	C CAPACITOR	0.022uF 16V K		C4023	NCBA1HK-102W	C CAPACITOR	1000pF 50V K	
C2604	NCBA1CK-223W	C CAPACITOR	0.022uF 16V K		C4024	NCBA1CK-103W	C CAPACITOR	0.01uF 16V K	
C2605	NCBA1EK-472W	C CAPACITOR	4700pF 25V K		C4025	NCBA1AK-104W	C CAPACITOR	0.1uF 10V K	
C2606	NCBA1EK-472W	C CAPACITOR	4700pF 25V K		C4026	NCBA1CK-103W	C CAPACITOR	0.01uF 16V K	
C2611	NCB30JK-105X	C CAPACITOR	1uF 6.3V K		C4027	NCBA1AK-104W	C CAPACITOR	0.1uF 10V K	
C2612	NCB30JK-105X	C CAPACITOR	1uF 6.3V K		C4028	NCBA1CK-103W	C CAPACITOR	0.01uF 16V K	
C2613	NCB30JK-105X	C CAPACITOR	1uF 6.3V K		C4029	NCB30JK-105X	C CAPACITOR	1uF 6.3V K	
C2623	NDCA1HJ-100W	C CAPACITOR	10pF 50V J		C4031	NCB30JK-105X	C CAPACITOR	1uF 6.3V K	
C2624	NDCA1HJ-100W	C CAPACITOR	10pF 50V J		C4032	NCBA1CK-103W	C CAPACITOR	0.01uF 16V K	
C2655	NCBA1AK-104W	C CAPACITOR	0.1uF 10V K		C4034	NCBA1AK-104W	C CAPACITOR	0.1uF 10V K	
C2656	NCBA1AK-104W	C CAPACITOR	0.1uF 10V K		C4201	NCBA1CK-103W	C CAPACITOR	0.01uF 16V K	
C3004	NBE20JM-106X	TA E CAPACITOR	10uF 6.3V M		C4202	NCB30JK-105X	C CAPACITOR	1uF 6.3V K	
C3005	NCBA1AK-104W	C CAPACITOR	0.1uF 10V K		C4203	NCB30JK-105X	C CAPACITOR	1uF 6.3V K	
C3006	NCBA1CK-103W	C CAPACITOR	0.01uF 16V K		C4204	NCBA1AK-104W	C CAPACITOR	0.1uF 10V K	
C3007	NCBA1CK-103W	C CAPACITOR	0.01uF 16V K		C4205	NCBA1AK-104W	C CAPACITOR	0.1uF 10V K	
C3008	NCBA1AK-104W	C CAPACITOR	0.1uF 10V K		C4206	NCBA1AK-104W	C CAPACITOR	0.1uF 10V K	
C3009	NCBA1AK-104W	C CAPACITOR	0.1uF 10V K		C4207	NCB30JK-105X	C CAPACITOR	1uF 6.3V K	
C3010	NCBA1AK-104W	C CAPACITOR	0.1uF 10V K		C4208	NCB31CK-105X	C CAPACITOR	1uF 16V K	
C3011	NCBA1CK-103W	C CAPACITOR	0.01uF 16V K		C4209	NCBA1CK-223W	C CAPACITOR	0.022uF 16V K	
C3012	NCBA1AK-104W	C CAPACITOR	0.1uF 10V K		C4210	NCBA1AK-104W	C CAPACITOR	0.1uF 10V K	
C3013	NCBA1CK-103W	C CAPACITOR	0.01uF 16V K		C4211	NCBA1AK-104W	C CAPACITOR	0.1uF 10V K	
C3014	NCBA1AK-104W	C CAPACITOR	0.1uF 10V K		C4212	NCBA1AK-104W	C CAPACITOR	0.1uF 10V K	
C3015	NCBA1CK-103W	C CAPACITOR	0.01uF 16V K		C4213	NCBA1AK-104W	C CAPACITOR	0.1uF 10V K	
C3016	NCBA1AK-104W	C CAPACITOR	0.1uF 10V K		C4214	NCBA1AK-104W	C CAPACITOR	0.1uF 10V K	
C3019	NBE20GM-476X	TA E CAPACITOR	47uF 4V M		C4215	NCBA1AK-104W	C CAPACITOR	0.1uF 10V K	
C3020	NCBA1CK-103W	C CAPACITOR	0.01uF 16V K		C4216	NBE20JM-226X	TA E CAPACITOR	22uF 6.3V M	
C3021	NCBA1AK-104W	C CAPACITOR	0.1uF 10V K		C4217	NCBA1AK-104W	C CAPACITOR	0.1uF 10V K	
C3022	NCBA1HK-102W	C CAPACITOR	1000pF 50V K		C4301	NCB20JM-475X	C CAPACITOR	4.7uF 6.3V M	
C3023	NCBA1AK-104W	C CAPACITOR	0.1uF 10V K		C4302	NCBA1AK-104W	C CAPACITOR	0.1uF 10V K	
C3024	NCBA1CK-103W	C CAPACITOR	0.01uF 16V K		C4303	NBE20GM-107X	TA E CAPACITOR	100uF 4V M	
C3201	NCBA1CK-103W	C CAPACITOR	0.01uF 16V K		C4304	NCB20JM-475X	C CAPACITOR	4.7uF 6.3V M	
C3202	NCBA1CK-103W	C CAPACITOR	0.01uF 16V K		C4305	NCBA1AK-104W	C CAPACITOR	0.1uF 10V K	
C3203	NCBA1CK-103W	C CAPACITOR	0.01uF 16V K		C4306	NCBA1HK-102W	C CAPACITOR	1000pF 50V K	
C3204	NCBA1CK-103W	C CAPACITOR	0.01uF 16V K		C4307	NCBA1CK-103W	C CAPACITOR	0.01uF 16V K	
C3205	NCBA1AK-104W	C CAPACITOR	0.1uF 10V K		C4308	NCBA1AK-104W	C CAPACITOR	0.1uF 10V K	
C3206	NCBA1AK-104W	C CAPACITOR	0.1uF 10V K		C4309	NCBA1CK-103W	C CAPACITOR	0.01uF 16V K	
C3207	NCBA1CK-103W	C CAPACITOR	0.01uF 16V K		C4401	NCB20JM-475X	C CAPACITOR	4.7uF 6.3V M	
C3208	NCB30JK-105X	C CAPACITOR	1uF 6.3V K		C4402	NCBA1AK-104W	C CAPACITOR	0.1uF 10V K	
C3209	NCBA1AK-104W	C CAPACITOR	0.1uF 10V K		C4403	NCBA1AK-104W	C CAPACITOR	0.1uF 10V K	
C3210	NCBA1AK-104W	C CAPACITOR	0.1uF 10V K		C4404	NCBA1AK-104W	C CAPACITOR	0.1uF 10V K	
C3211	NCB30JK-105X	C CAPACITOR	1uF 6.3V K		C4405	NCBA1AK-104W	C CAPACITOR	0.1uF 10V K	
C3212	NRSA6AJ-0R0W	MG RESISTOR	0Ω 1/16W J		C4406	NCBA1AK-104W	C CAPACITOR	0.1uF 10V K	
C3216	NCBA1AK-104W	C CAPACITOR	0.1uF 10V K		C4407	NBE20JM-106X	TA E CAPACITOR	10uF 6.3V M	
C3217	NCBA1AK-104W	C CAPACITOR	0.1uF 10V K		C4408	NCBA1AK-104W	C CAPACITOR	0.1uF 10V K	
C3218	NCBA1CK-103W	C CAPACITOR	0.01uF 16V K		C4409	NCBA1CK-103W	C CAPACITOR	0.01uF 16V K	
C3219	NCBA1AK-104W	C CAPACITOR	0.1uF 10V K		C4501	NCBA1AK-104W	C CAPACITOR	0.1uF 10V K	
C3220	NCB20JM-475X	C CAPACITOR	4.7uF 6.3V M		C4502	NCBA1AK-104W	C CAPACITOR	0.1uF 10V K	
C3224	NCB30JK-105X	C CAPACITOR	1uF 6.3V K		C4503	NCBA1CK-103W	C CAPACITOR	0.01uF 16V K	
C3225	NCB30JK-105X	C CAPACITOR	1uF 6.3V K		C4504	NCBA1AK-104W	C CAPACITOR	0.1uF 10V K	
C3227	NCB30JK-105X	C CAPACITOR	1uF 6.3V K		C4505	NCB10JK-106X	C CAPACITOR	10uF 6.3V K	
C3701	NBE20JM-106X	TA E CAPACITOR	10uF 6.3V M		C4506	NCBA1AK-104W	C CAPACITOR	0.1uF 10V K	
C3702	NCB20JK-225X	C CAPACITOR	2.2uF 6.3V K		C4507	NCBA1AK-104W	C CAPACITOR	0.1uF 10V K	
C3703	NCB20JM-475X	C CAPACITOR	4.7uF 6.3V M		C4508	NCBA1AK-104W	C CAPACITOR	0.1uF 10V K	
C3704	NCBA1AK-104W	C CAPACITOR	0.1uF 10V K		C4509	NCBA1AK-104W	C CAPACITOR	0.1uF 10V K	
C3705	NCBA1CK-103W	C CAPACITOR	0.01uF 16V K		C4510	NCBA1AK-104W	C CAPACITOR	0.1uF 10V K	
C3706	NCBA1CK-103W	C CAPACITOR	0.01uF 16V K		C4511	NCB10JK-106X	C CAPACITOR	10uF 6.3V K	
C3707	NCB30JK-105X	C CAPACITOR	1uF 6.3V K		C4512	NCBA1CK-103W	C CAPACITOR	0.01uF 16V K	
C3708	NCB30JK-105X	C CAPACITOR	1uF 6.3V K		C4513	NCBA1CK-103W	C CAPACITOR	0.01uF 16V K	
C3709	NBE20JM-106X	TA E CAPACITOR	10uF 6.3V M		C4514	NCBA1CK-103W	C CAPACITOR	0.01uF 16V K	
C3710	NCBA1AK-104W	C CAPACITOR	0.1uF 10V K		C4515	NCBA1CK-103W	C CAPACITOR	0.01uF 16V K	
C4002	NBE20JM-106X	TA E CAPACITOR	10uF 6.3V M		C4516	NCBA1CK-103W	C CAPACITOR	0.01uF 16V K	
C4003	NBE20JM-106X	TA E CAPACITOR	10uF 6.3V M		C4517	NCBA1CK-103W	C CAPACITOR	0.01uF 16V K	
C4004	NBE20GM-476X	TA E CAPACITOR	47uF 4V M		C4518	NCBA1CK-103W	C CAPACITOR	0.01uF 16V K	
C4008	NCBA1CK-103W	C CAPACITOR	0.01uF 16V K		C4519	NCBA1CK-103W	C CAPACITOR	0.01uF 16V K	
C4009	NCBA1AK-104W	C CAPACITOR	0.1uF 10V K		C4520	NCBA1AK-104W	C CAPACITOR	0.1uF 10V K	
C4010	NCBA1AK-104W	C CAPACITOR	0.1uF 10V K		C4521	NCB30JK-105X	C CAPACITOR	1uF 6.3V K	
C4011	NCBA1HK-102W	C CAPACITOR	1000pF 50V K		C4522	NCBA1AK-104W	C CAPACITOR	0.1uF 10V K	
C4012	NCBA1CK-103W	C CAPACITOR	0.01uF 16V K		C4523	NCBA1AK-104W	C CAPACITOR	0.1uF 10V K	
C4013	NCBA1AK-104W	C CAPACITOR	0.1uF 10V K		C4524	NCB10JK-106X	C CAPACITOR	10uF 6.3V K	

D

MODEL	MARK	MODEL	MARK	MODEL	MARK
GZ-MG20AA	A	GZ-MG20AH	D	GZ-MG30AC	G
GZ-MG20AC	B	GZ-MG20AS	E		
GZ-MG20AG	C	GZ-MG30AA	F		

△ Symbol No.	Part No.	Part Name	Description	Local	△ Symbol No.	Part No.	Part Name	Description	Local
C4525	NCB10JK-106X	C CAPACITOR	10uF 6.3V K		R141	NRSA6AJ-473W	MG RESISTOR	47kΩ 1/16W J	
C4526	NCBA1AK-104W	C CAPACITOR	0.1uF 10V K		R142	NRSA6AJ-473W	MG RESISTOR	47kΩ 1/16W J	
C4527	NCBA1AK-104W	C CAPACITOR	0.1uF 10V K		R143	NRSA6AJ-473W	MG RESISTOR	47kΩ 1/16W J	
C4528	NCBA1AK-104W	C CAPACITOR	0.1uF 10V K		R144	NRSA6AJ-473W	MG RESISTOR	47kΩ 1/16W J	
C4529	NCB10JK-106X	C CAPACITOR	10uF 6.3V K		R145	NRSA6AJ-473W	MG RESISTOR	47kΩ 1/16W J	
C4530	NCBA1AK-104W	C CAPACITOR	0.1uF 10V K		R146	NRSA6AJ-473W	MG RESISTOR	47kΩ 1/16W J	
C4531	NCBA1AK-104W	C CAPACITOR	0.1uF 10V K		R147	NRSA6AJ-103W	MG RESISTOR	10kΩ 1/16W J	
C4532	NCBA1AK-104W	C CAPACITOR	0.1uF 10V K		R148	NRSA6AJ-220W	MG RESISTOR	22Ω 1/16W J	
C4533	NCBA1AK-104W	C CAPACITOR	0.1uF 10V K		R149	NRSA6AJ-220W	MG RESISTOR	22Ω 1/16W J	
C4534	NCBA1AK-104W	C CAPACITOR	0.1uF 10V K		R150	NRSA6AJ-220W	MG RESISTOR	22Ω 1/16W J	
C4902	NBE20JM-106X	TA E CAPACITOR	10uF 6.3V M		R151	NRSA6AJ-220W	MG RESISTOR	22Ω 1/16W J	
C4904	NBE21AM-106X	TA E CAPACITOR	10uF 10V M		R167	NRSA6AJ-0R0W	MG RESISTOR	0Ω 1/16W J	
C4905	NCFA1AZ-104W	C CAPACITOR	0.1uF 10V Z		R169	NRSA63J-0R0X	MG RESISTOR	0Ω 1/16W J	
C4906	NCFA1AZ-104W	C CAPACITOR	0.1uF 10V Z		R171	NRSA6AJ-0R0W	MG RESISTOR	0Ω 1/16W J	
C4907	NCFA1AZ-104W	C CAPACITOR	0.1uF 10V Z		R172	NRSA6AJ-152W	MG RESISTOR	1.5kΩ 1/16W J	
C4908	NCFA1AZ-104W	C CAPACITOR	0.1uF 10V Z		△ R191	NRSA63J-102X	MG RESISTOR	22Ω 1/16W J	
C4909	NCBA1CK-103W	C CAPACITOR	0.01uF 16V K		R196	NRSA6AJ-0R0W	MG RESISTOR	0Ω 1/16W J	
C4912	NCFA1AZ-104W	C CAPACITOR	0.1uF 10V Z		R197	NRSA6AJ-0R0W	MG RESISTOR	0Ω 1/16W J	
C4913	NCFA1AZ-104W	C CAPACITOR	0.1uF 10V Z		R198	NRSA6AJ-0R0W	MG RESISTOR	0Ω 1/16W J	
C4914	NDCA1HJ-680W	C CAPACITOR	68pF 50V J		R1001	NRSA6AJ-104W	MG RESISTOR	100kΩ 1/16W J	
C4915	NDCA1HJ-121W	C CAPACITOR	120pF 50V J		R1003	NRSA6AJ-222W	MG RESISTOR	2.2kΩ 1/16W J	
C4916	NCFA1AZ-104W	C CAPACITOR	0.1uF 10V Z		R1004	NRSA6AJ-222W	MG RESISTOR	2.2kΩ 1/16W J	
C4917	NCFA1AZ-104W	C CAPACITOR	0.1uF 10V Z		R1005	NRSA6AJ-222W	MG RESISTOR	2.2kΩ 1/16W J	
C4918	NCFA1AZ-104W	C CAPACITOR	0.1uF 10V Z		R1006	NRSA6AJ-472W	MG RESISTOR	4.7kΩ 1/16W J	
C4921	NCBA1CK-103W	C CAPACITOR	0.01uF 16V K		R1007	NRSA6AJ-472W	MG RESISTOR	4.7kΩ 1/16W J	
C4922	NCFA1AZ-104W	C CAPACITOR	0.1uF 10V Z		R1008	NRSA6AJ-102W	MG RESISTOR	1kΩ 1/16W J	
C4923	NCB30JK-105X	C CAPACITOR	1uF 6.3V K		R1009	NRSA6AJ-681W	MG RESISTOR	680Ω 1/16W J	
C4924	NCB30JK-105X	C CAPACITOR	1uF 6.3V K		R1016	NRSA6AJ-222W	MG RESISTOR	2.2kΩ 1/16W J	
C4927	NCBA1CK-103W	C CAPACITOR	0.01uF 16V K		R1017	NRSA6AJ-102W	MG RESISTOR	1kΩ 1/16W J	
C4952	NBE20JM-106X	TA E CAPACITOR	10uF 6.3V M		R1018	NRSA6AJ-102W	MG RESISTOR	1kΩ 1/16W J	
C4954	NBE20JM-106X	TA E CAPACITOR	10uF 6.3V M		R1019	NRSA6AJ-102W	MG RESISTOR	1kΩ 1/16W J	
C4955	NCFA1AZ-104W	C CAPACITOR	0.1uF 10V Z		R1020	NRSA6AJ-102W	MG RESISTOR	1kΩ 1/16W J	
C4957	NDCA1HJ-220W	C CAPACITOR	22pF 50V J		R1022	NRSA6AJ-102W	MG RESISTOR	1kΩ 1/16W J	
C4958	NDCA1HJ-220W	C CAPACITOR	22pF 50V J		R1023	NRSA6AJ-102W	MG RESISTOR	1kΩ 1/16W J	
C5501	NCBA1AK-104W	C CAPACITOR	0.1uF 10V K		R1024	NRSA6AJ-102W	MG RESISTOR	1kΩ 1/16W J	
C5502	NCBA1AK-104W	C CAPACITOR	0.1uF 10V K		R1025	NRSA6AJ-102W	MG RESISTOR	1kΩ 1/16W J	
C5503	NCBA1AK-104W	C CAPACITOR	0.1uF 10V K		R1028	NRSA6AJ-102W	MG RESISTOR	1kΩ 1/16W J	
C5504	NCBA1AK-104W	C CAPACITOR	0.1uF 10V K		R1029	NRSA6AJ-102W	MG RESISTOR	1kΩ 1/16W J	
C5505	NBE20JM-106X	TA E CAPACITOR	10uF 6.3V M		R1030	NRSA6AJ-102W	MG RESISTOR	1kΩ 1/16W J	
C5507	NCBA1AK-104W	C CAPACITOR	0.1uF 10V K		R1031	NRSA6AJ-102W	MG RESISTOR	1kΩ 1/16W J	
C5508	NCBA1AK-104W	C CAPACITOR	0.1uF 10V K		R1037	NRSA6AJ-102W	MG RESISTOR	1kΩ 1/16W J	
C5509	NCB31CK-104X	C CAPACITOR	0.1uF 16V K		R1043	NRSA6AJ-104W	MG RESISTOR	100kΩ 1/16W J	
C5510	NCBA1AK-104W	C CAPACITOR	0.1uF 10V K		R1045	NRSA6AJ-102W	MG RESISTOR	1kΩ 1/16W J	
C5511	NCB31EK-104X	C CAPACITOR	0.1uF 25V K		R1051	NRSA6AJ-272W	MG RESISTOR	2.7kΩ 1/16W J	
C5512	NBP41EM-475X-B	TA E CAPACITOR	4.7uF 25V M		R1052	NRSA6AJ-183W	MG RESISTOR	18kΩ 1/16W J	
C5513	NCB31EK-104X	C CAPACITOR	0.1uF 25V K		R1053	NRSA6AJ-154W	MG RESISTOR	150kΩ 1/16W J	
C5514	NBP21VM-105X	TA E CAPACITOR	1uF 35V M		R1054	NRSA6AJ-473W	MG RESISTOR	47kΩ 1/16W J	
C5515	NCBA1AK-104W	C CAPACITOR	0.1uF 10V K		R1055	NRSA6AJ-103W	MG RESISTOR	10kΩ 1/16W J	
C5516	NBP21CM-106X	TA E CAPACITOR	10uF 16V M		R1056	NRSA6AJ-472W	MG RESISTOR	4.7kΩ 1/16W J	
C5517	NCBA1AK-104W	C CAPACITOR	0.1uF 10V K		R1057	NRSA6AJ-104W	MG RESISTOR	100kΩ 1/16W J	
C5518	NCBA1AK-104W	C CAPACITOR	0.1uF 10V K		R1058	NRSA6AJ-104W	MG RESISTOR	100kΩ 1/16W J	
C5519	NBE20GM-476X	TA E CAPACITOR	47uF 4V M		R1059	NRSA6AJ-104W	MG RESISTOR	100kΩ 1/16W J	
C5520	NCBA1AK-104W	C CAPACITOR	0.1uF 10V K		R1060	NRSA6AJ-104W	MG RESISTOR	100kΩ 1/16W J	
C5522	NCBA1CK-103W	C CAPACITOR	0.01uF 16V K	A,B,C,E,F,G	R1061	NRSA6AJ-104W	MG RESISTOR	100kΩ 1/16W J	
C5801	NBE90JM-106X	TA E CAPACITOR	10uF 6.3V M		R1062	NRSA6AJ-104W	MG RESISTOR	100kΩ 1/16W J	
C5806	NCBA1CK-103W	C CAPACITOR	0.01uF 16V K		R1063	NRSA6AJ-473W	MG RESISTOR	47kΩ 1/16W J	
C5807	NCB21AK-225X	C CAPACITOR	2.2uF 10V K		R1064	NRSA6AJ-102W	MG RESISTOR	1kΩ 1/16W J	
C5808	NCBA1HK-331W	C CAPACITOR	330pF 50V K		R1065	NRSA6AJ-102W	MG RESISTOR	1kΩ 1/16W J	
C5809	NBE20JM-475X	TA E CAPACITOR	4.7uF 6.3V M		R1066	NRSA6AJ-102W	MG RESISTOR	1kΩ 1/16W J	
C5810	NCBA1HK-331W	C CAPACITOR	330pF 50V K		R1068	NRSA6AJ-104W	MG RESISTOR	100kΩ 1/16W J	
C5812	NCBA1AK-104W	C CAPACITOR	0.1uF 10V K		R1069	NRSA6AJ-104W	MG RESISTOR	100kΩ 1/16W J	
C5851	NBE90JM-106X	TA E CAPACITOR	10uF 6.3V M		R1070	NRSA6AJ-104W	MG RESISTOR	100kΩ 1/16W J	
C5853	NCBA1AK-104W	C CAPACITOR	0.1uF 10V K		R1071	NRSA6AJ-104W	MG RESISTOR	100kΩ 1/16W J	
C7802	NCB21CK-105X	C CAPACITOR	1uF 16V K		R1072	NRSA6AJ-823W	MG RESISTOR	82kΩ 1/16W J	
C7803	NCB30JK-105X	C CAPACITOR	1uF 6.3V K		R1073	NRSA6AJ-623W	MG RESISTOR	62kΩ 1/16W J	
C7804	NCB21CK-105X	C CAPACITOR	1uF 16V K		R1074	NRSA6AJ-103W	MG RESISTOR	10kΩ 1/16W J	
C7805	NCB21CK-105X	C CAPACITOR	1uF 16V K		R1075	NRSA6AJ-104W	MG RESISTOR	100kΩ 1/16W J	
C7806	NCB21CK-105X	C CAPACITOR	1uF 16V K		R1076	NRSA6AJ-104W	MG RESISTOR	100kΩ 1/16W J	
C7852	NCBA1CK-103W	C CAPACITOR	0.01uF 16V K		R1077	NRSA6AJ-105W	MG RESISTOR	1MΩ 1/16W J	
R111	NRSA6AJ-102W	MG RESISTOR	1kΩ 1/16W J		R1082	NRSA6AJ-104W	MG RESISTOR	100kΩ 1/16W J	
R112	NRSA6AJ-473W	MG RESISTOR	47kΩ 1/16W J		R1083	NRSA6AJ-104W	MG RESISTOR	100kΩ 1/16W J	
R113	NRSA6AJ-473W	MG RESISTOR	47kΩ 1/16W J		R1084	NRSA6AJ-0R0W	MG RESISTOR	0Ω 1/16W J	
R114	NRSA6AJ-473W	MG RESISTOR	47kΩ 1/16W J		R1085	NRSA6AJ-0R0W	MG RESISTOR	0Ω 1/16W J	
R115	NRSA6AJ-473W	MG RESISTOR	47kΩ 1/16W J		R1086	NRSA6AJ-0R0W	MG RESISTOR	0Ω 1/16W J	
R116	NRSA6AJ-0R0W	MG RESISTOR	0Ω 1/16W J		R2202	NRSA6AJ-564W	MG RESISTOR	560kΩ 1/16W J	
R117	NRSA6AJ-0R0W	MG RESISTOR	0Ω 1/16W J		R2203	NRSA6AJ-393W	MG RESISTOR	39kΩ 1/16W J	
R131	NRSA6AJ-473W	MG RESISTOR	47kΩ 1/16W J		R2204	NRSA6AJ-154W	MG RESISTOR	150kΩ 1/16W J	
					R2206	NRSA6AJ-333W	MG RESISTOR	33kΩ 1/16W J	

MODEL	MARK	MODEL	MARK	MODEL	MARK
GZ-MG20AA	A	GZ-MG20AH	D	GZ-MG30AC	G
GZ-MG20AC	B	GZ-MG20AS	E		
GZ-MG20AG	C	GZ-MG30AA	F		

△ Symbol No.	Part No.	Part Name	Description	Local	△ Symbol No.	Part No.	Part Name	Description	Local
R2207	NRSA6AJ-333W	MG RESISTOR	33kΩ 1/16W J		R3216	NRSA6AD-821W	MG RESISTOR	820Ω 1/16W D	
R2208	NRSA6AJ-223W	MG RESISTOR	22kΩ 1/16W J		R3217	NRSA6AD-821W	MG RESISTOR	820Ω 1/16W D	
R2209	NRSA6AJ-223W	MG RESISTOR	22kΩ 1/16W J		R3218	NRSA6AJ-152W	MG RESISTOR	1.5kΩ 1/16W J	
R2210	NRSA6AJ-821W	MG RESISTOR	820Ω 1/16W J		R3219	NRSA6AJ-152W	MG RESISTOR	1.5kΩ 1/16W J	
R2211	NRSA6AJ-821W	MG RESISTOR	820Ω 1/16W J		R3220	NRSA6AJ-0R0W	MG RESISTOR	0Ω 1/16W J	
R2212	NRSA6AJ-2R7W	MG RESISTOR	2.7Ω 1/16W J		R3221	NRSA6AJ-101W	MG RESISTOR	100Ω 1/16W J	
R2213	NRSA6AJ-2R7W	MG RESISTOR	2.7Ω 1/16W J		R3222	NRSA63J-330X	MG RESISTOR	33Ω 1/16W J	
R2217	NRSA6AJ-100W	MG RESISTOR	10Ω 1/16W J		R3702	NRSA6AD-680W	MG RESISTOR	68Ω 1/16W D	
R2233	NRSA6AJ-564W	MG RESISTOR	560kΩ 1/16W J		R3703	NRSA6AD-680W	MG RESISTOR	68Ω 1/16W D	
R2234	NRSA6AJ-564W	MG RESISTOR	560kΩ 1/16W J		R3704	NRSA6AD-680W	MG RESISTOR	68Ω 1/16W D	
R2235	NRSA6AJ-332W	MG RESISTOR	3.3kΩ 1/16W J		R3705	NRSA6AJ-103W	MG RESISTOR	10kΩ 1/16W J	
R2241	NRSA6AJ-104W	MG RESISTOR	100kΩ 1/16W J		R3706	NRSA6AJ-122W	MG RESISTOR	1.2kΩ 1/16W J	
R2401	NRSA6AJ-472W	MG RESISTOR	4.7kΩ 1/16W J		R3707	NRSA6AJ-222W	MG RESISTOR	2.2kΩ 1/16W J	
R2402	NRSA6AJ-472W	MG RESISTOR	4.7kΩ 1/16W J		R4001	NRSA6AJ-101W	MG RESISTOR	100Ω 1/16W J	
R2403	NRSA6AJ-183W	MG RESISTOR	18kΩ 1/16W J		R4002	NRSA6AJ-332W	MG RESISTOR	3.3kΩ 1/16W J	
R2407	NRSA6AJ-100W	MG RESISTOR	10Ω 1/16W J		R4003	NRSA6AJ-0R0W	MG RESISTOR	0Ω 1/16W J	
R2601	NRSA6AJ-222W	MG RESISTOR	2.2kΩ 1/16W J		R4005	NRSA6AJ-473W	MG RESISTOR	47kΩ 1/16W J	
R2602	NRSA6AJ-222W	MG RESISTOR	2.2kΩ 1/16W J		R4006	NRSA6AJ-473W	MG RESISTOR	47kΩ 1/16W J	
R2607	NRSA6AJ-222W	MG RESISTOR	2.2kΩ 1/16W J		R4007	NRSA6AJ-0R0W	MG RESISTOR	0Ω 1/16W J	
R2608	NRSA6AJ-222W	MG RESISTOR	2.2kΩ 1/16W J		R4008	NRSA6AJ-0R0W	MG RESISTOR	0Ω 1/16W J	
R2609	NRSA6AJ-223W	MG RESISTOR	22kΩ 1/16W J		R4009	NRSA6AJ-0R0W	MG RESISTOR	0Ω 1/16W J	
R2610	NRSA6AJ-223W	MG RESISTOR	22kΩ 1/16W J		R4010	NRSA6AJ-0R0W	MG RESISTOR	0Ω 1/16W J	
R3001	NRSA6AJ-103W	MG RESISTOR	10kΩ 1/16W J		R4011	NRSA6AJ-0R0W	MG RESISTOR	0Ω 1/16W J	
R3002	NRSA6AJ-103W	MG RESISTOR	10kΩ 1/16W J		R4012	NRSA6AJ-0R0W	MG RESISTOR	0Ω 1/16W J	
R3003	NRSA6AJ-103W	MG RESISTOR	10kΩ 1/16W J		R4013	NRSA6AJ-0R0W	MG RESISTOR	0Ω 1/16W J	
R3004	NRSA6AJ-103W	MG RESISTOR	10kΩ 1/16W J		R4014	NRSA6AJ-0R0W	MG RESISTOR	0Ω 1/16W J	
R3006	NRSA6AJ-0R0W	MG RESISTOR	0Ω 1/16W J		R4015	NRSA6AJ-0R0W	MG RESISTOR	0Ω 1/16W J	
R3007	NRSA6AJ-103W	MG RESISTOR	10kΩ 1/16W J		R4016	NRSA6AJ-102W	MG RESISTOR	1kΩ 1/16W J	
R3008	NRSA6AJ-103W	MG RESISTOR	10kΩ 1/16W J		R4017	NRSA6AJ-103W	MG RESISTOR	10kΩ 1/16W J	
R3009	NRSA6AJ-103W	MG RESISTOR	10kΩ 1/16W J		R4018	NRSA6AJ-473W	MG RESISTOR	47kΩ 1/16W J	
R3010	NRSA6AJ-0R0W	MG RESISTOR	0Ω 1/16W J		R4019	NRSA6AJ-473W	MG RESISTOR	47kΩ 1/16W J	
R3011	NRSA6AJ-0R0W	MG RESISTOR	0Ω 1/16W J		R4020	NRSA6AJ-473W	MG RESISTOR	47kΩ 1/16W J	
R3012	NRSA6AJ-103W	MG RESISTOR	10kΩ 1/16W J		R4021	NRSA6AJ-473W	MG RESISTOR	47kΩ 1/16W J	
R3013	NRSA6AJ-101W	MG RESISTOR	100Ω 1/16W J		R4022	NRSA6AJ-0R0W	MG RESISTOR	0Ω 1/16W J	
R3014	NRSA6AJ-0R0W	MG RESISTOR	0Ω 1/16W J		R4023	NRSA6AD-272W	MG RESISTOR	2.7kΩ 1/16W D	
R3015	NRSA6AJ-0R0W	MG RESISTOR	0Ω 1/16W J		R4024	NRSA6AJ-0R0W	MG RESISTOR	0Ω 1/16W J	
R3016	NRSA6AJ-103W	MG RESISTOR	10kΩ 1/16W J		R4025	NRSA6AJ-473W	MG RESISTOR	47kΩ 1/16W J	
R3017	NRSA6AJ-103W	MG RESISTOR	10kΩ 1/16W J		R4026	NRSA6AJ-101W	MG RESISTOR	100Ω 1/16W J	
R3020	NRSA6AJ-0R0W	MG RESISTOR	0Ω 1/16W J		R4027	NRSA6AJ-473W	MG RESISTOR	47kΩ 1/16W J	
R3021	NRSA6AJ-472W	MG RESISTOR	4.7kΩ 1/16W J		R4028	NRSA6AJ-473W	MG RESISTOR	47kΩ 1/16W J	
R3022	NRSA6AJ-103W	MG RESISTOR	10kΩ 1/16W J		R4030	NRSA6AJ-473W	MG RESISTOR	47kΩ 1/16W J	
R3023	NRSA6AJ-103W	MG RESISTOR	10kΩ 1/16W J		R4031	NRSA6AJ-221W	MG RESISTOR	220Ω 1/16W J	
R3024	NRSA6AJ-103W	MG RESISTOR	10kΩ 1/16W J		R4034	NRSA6AJ-473W	MG RESISTOR	47kΩ 1/16W J	
R3025	NRSA6AJ-103W	MG RESISTOR	10kΩ 1/16W J		R4035	NRSA6AJ-473W	MG RESISTOR	47kΩ 1/16W J	
R3026	NRSA6AJ-103W	MG RESISTOR	10kΩ 1/16W J		R4036	NRSA6AJ-220W	MG RESISTOR	22Ω 1/16W J	
R3027	NRSA6AJ-103W	MG RESISTOR	10kΩ 1/16W J		R4037	NRSA6AJ-470W	MG RESISTOR	47Ω 1/16W J	
R3028	NRSA6AJ-103W	MG RESISTOR	10kΩ 1/16W J		R4038	NRSA6AJ-820W	MG RESISTOR	82Ω 1/16W J	
R3029	NRSA6AJ-472W	MG RESISTOR	4.7kΩ 1/16W J		R4039	NRSA6AJ-470W	MG RESISTOR	47Ω 1/16W J	
R3030	NRSA6AJ-472W	MG RESISTOR	4.7kΩ 1/16W J		R4042	NRSA6AJ-473W	MG RESISTOR	47kΩ 1/16W J	
R3031	NRSA6AJ-472W	MG RESISTOR	4.7kΩ 1/16W J		R4043	NRSA6AJ-473W	MG RESISTOR	47kΩ 1/16W J	
R3032	NRSA6AJ-473W	MG RESISTOR	47kΩ 1/16W J		R4044	NRSA6AJ-473W	MG RESISTOR	47kΩ 1/16W J	
R3033	NRSA6AJ-472W	MG RESISTOR	4.7kΩ 1/16W J		R4045	NRSA6AJ-0R0W	MG RESISTOR	0Ω 1/16W J	
R3034	NRSA6AJ-472W	MG RESISTOR	4.7kΩ 1/16W J		R4046	NRSA6AJ-0R0W	MG RESISTOR	0Ω 1/16W J	
R3035	NRSA6AJ-103W	MG RESISTOR	10kΩ 1/16W J		R4047	NRSA6AJ-0R0W	MG RESISTOR	0Ω 1/16W J	
R3036	NRSA6AJ-103W	MG RESISTOR	10kΩ 1/16W J		R4048	NRSA6AJ-473W	MG RESISTOR	47kΩ 1/16W J	
R3039	NRSA6AJ-0R0W	MG RESISTOR	0Ω 1/16W J		R4049	NRSA6AJ-473W	MG RESISTOR	47kΩ 1/16W J	
R3040	NRSA6AJ-101W	MG RESISTOR	100Ω 1/16W J		R4050	NRSA6AJ-220W	MG RESISTOR	22Ω 1/16W J	
R3041	NRSA6AJ-0R0W	MG RESISTOR	0Ω 1/16W J		R4051	NRSA6AJ-220W	MG RESISTOR	22Ω 1/16W J	
R3042	NRSA6AJ-100W	MG RESISTOR	10Ω 1/16W J		R4052	NRSA6AJ-473W	MG RESISTOR	47kΩ 1/16W J	
R3043	NRSA6AJ-100W	MG RESISTOR	10Ω 1/16W J		R4053	NRSA6AJ-220W	MG RESISTOR	22Ω 1/16W J	
R3044	NRSA6AJ-100W	MG RESISTOR	10Ω 1/16W J		R4054	NRSA6AJ-473W	MG RESISTOR	47kΩ 1/16W J	
R3045	NRSA6AJ-100W	MG RESISTOR	10Ω 1/16W J		R4055	NRSA6AJ-473W	MG RESISTOR	47kΩ 1/16W J	
R3047	NRSA6AJ-0R0W	MG RESISTOR	0Ω 1/16W J		R4056	NRSA6AJ-221W	MG RESISTOR	220Ω 1/16W J	
R3201	NRSA6AJ-0R0W	MG RESISTOR	0Ω 1/16W J		R4057	NRSA6AJ-221W	MG RESISTOR	220Ω 1/16W J	
R3202	NRSA6AJ-0R0W	MG RESISTOR	0Ω 1/16W J		R4058	NRSA6AJ-221W	MG RESISTOR	220Ω 1/16W J	
R3203	NRSA6AJ-0R0W	MG RESISTOR	0Ω 1/16W J		R4059	NRSA6AJ-221W	MG RESISTOR	220Ω 1/16W J	
R3204	NRSA6AJ-0R0W	MG RESISTOR	0Ω 1/16W J		R4060	NRSA6AJ-221W	MG RESISTOR	220Ω 1/16W J	
R3205	NRSA6AJ-0R0W	MG RESISTOR	0Ω 1/16W J		R4061	NRSA6AJ-221W	MG RESISTOR	220Ω 1/16W J	
R3206	NRSA6AJ-0R0W	MG RESISTOR	0Ω 1/16W J		R4062	NRSA6AJ-221W	MG RESISTOR	220Ω 1/16W J	
R3207	NRSA6AJ-0R0W	MG RESISTOR	0Ω 1/16W J		R4063	NRSA6AJ-221W	MG RESISTOR	220Ω 1/16W J	
R3208	NRSA6AJ-101W	MG RESISTOR	100Ω 1/16W J		R4064	NRSA6AJ-221W	MG RESISTOR	220Ω 1/16W J	
R3209	NRSA6AJ-0R0W	MG RESISTOR	0Ω 1/16W J		R4065	NRSA6AJ-221W	MG RESISTOR	220Ω 1/16W J	
R3210	NRSA6AJ-0R0W	MG RESISTOR	0Ω 1/16W J		R4066	NRSA6AJ-221W	MG RESISTOR	220Ω 1/16W J	
R3211	NRSA6AJ-0R0W	MG RESISTOR	0Ω 1/16W J		R4067	NRSA6AJ-221W	MG RESISTOR	220Ω 1/16W J	
R3212	NRSA6AD-183W	MG RESISTOR	18kΩ 1/16W D		R4068	NRSA6AJ-221W	MG RESISTOR	220Ω 1/16W J	
R3213	NRSA6AD-123W	MG RESISTOR	12kΩ 1/16W D		R4069	NRSA6AJ-221W	MG RESISTOR	220Ω 1/16W J	
R3214	NRSA6AD-272W	MG RESISTOR	2.7kΩ 1/16W D		R4070	NRSA6AJ-221W	MG RESISTOR	220Ω 1/16W J	
R3215	NRSA6AD-272W	MG RESISTOR	2.7kΩ 1/16W D		R4071	NRSA6AJ-221W	MG RESISTOR	220Ω 1/16W J	

MODEL	MARK	MODEL	MARK	MODEL	MARK
GZ-MG20AA	A	GZ-MG20AH	D	GZ-MG30AC	G
GZ-MG20AC	B	GZ-MG20AS	E		
GZ-MG20AG	C	GZ-MG30AA	F		

△ Symbol No.	Part No.	Part Name	Description	Local	△ Symbol No.	Part No.	Part Name	Description	Local
R4072	NRSA6AJ-220W	MG RESISTOR	22Ω 1/16W J		R4539	NRSA6AJ-0R0W	MG RESISTOR	0Ω 1/16W J	
R4073	NRSA6AJ-220W	MG RESISTOR	22Ω 1/16W J		R4540	NRSA6AJ-0R0W	MG RESISTOR	0Ω 1/16W J	
R4074	NRSA6AJ-473W	MG RESISTOR	47kΩ 1/16W J		R4541	NRSA6AJ-0R0W	MG RESISTOR	0Ω 1/16W J	
R4075	NRSA6AJ-473W	MG RESISTOR	47kΩ 1/16W J		R4542	NRSA6AJ-0R0W	MG RESISTOR	0Ω 1/16W J	
R4076	NRSA6AJ-220W	MG RESISTOR	22Ω 1/16W J		R4549	NRSA6AJ-102W	MG RESISTOR	1kΩ 1/16W J	
R4077	NRSA6AJ-220W	MG RESISTOR	22Ω 1/16W J		R4550	NRSA6AJ-102W	MG RESISTOR	1kΩ 1/16W J	
R4078	NRSA6AJ-220W	MG RESISTOR	22Ω 1/16W J		R4551	NRSA6AJ-102W	MG RESISTOR	1kΩ 1/16W J	
R4079	NRSA6AJ-473W	MG RESISTOR	47kΩ 1/16W J		R4552	NRSA6AJ-102W	MG RESISTOR	1kΩ 1/16W J	
R4080	NRSA6AJ-0R0W	MG RESISTOR	0Ω 1/16W J		R4553	NRSA6AJ-102W	MG RESISTOR	1kΩ 1/16W J	
R4081	NRSA6AJ-100W	MG RESISTOR	10Ω 1/16W J		R4554	NRSA6AJ-101W	MG RESISTOR	100Ω 1/16W J	
R4083	NRSA6AJ-472W	MG RESISTOR	4.7kΩ 1/16W J		R4555	NRSA6AJ-101W	MG RESISTOR	100Ω 1/16W J	
R4084	NRSA6AJ-472W	MG RESISTOR	4.7kΩ 1/16W J		R4556	NRSA6AJ-101W	MG RESISTOR	100Ω 1/16W J	
R4086	NRSA6AJ-473W	MG RESISTOR	47kΩ 1/16W J		R4557	NRSA6AJ-471W	MG RESISTOR	470Ω 1/16W J	
R4201	NRSA6AJ-333W	MG RESISTOR	33kΩ 1/16W J		R4558	NRSA6AJ-471W	MG RESISTOR	470Ω 1/16W J	
R4202	NRSA6AJ-100W	MG RESISTOR	10Ω 1/16W J		R4559	NRSA6AJ-0R0W	MG RESISTOR	0Ω 1/16W J	
R4203	NRSA6AJ-100W	MG RESISTOR	10Ω 1/16W J		R4560	NRSA6AJ-0R0W	MG RESISTOR	0Ω 1/16W J	
R4204	NRSA6AJ-100W	MG RESISTOR	10Ω 1/16W J		R4561	NRSA6AJ-471W	MG RESISTOR	470Ω 1/16W J	
R4205	NRSA6AJ-100W	MG RESISTOR	10Ω 1/16W J		R4562	NRSA6AJ-473W	MG RESISTOR	47kΩ 1/16W J	
R4206	NRSA6AJ-100W	MG RESISTOR	10Ω 1/16W J		R4563	NRSA6AJ-471W	MG RESISTOR	470Ω 1/16W J	
R4301	NRSA6AJ-473W	MG RESISTOR	47kΩ 1/16W J		R4564	NRSA6AJ-0R0W	MG RESISTOR	0Ω 1/16W J	
R4302	NRSA6AJ-0R0W	MG RESISTOR	0Ω 1/16W J		R4566	NRSA6AJ-0R0W	MG RESISTOR	0Ω 1/16W J	
R4401	NRSA6AJ-470W	MG RESISTOR	47Ω 1/16W J		R4567	NRSA6AJ-0R0W	MG RESISTOR	0Ω 1/16W J	
R4402	NRSA6AJ-470W	MG RESISTOR	47Ω 1/16W J		R4568	NRSA6AJ-0R0W	MG RESISTOR	0Ω 1/16W J	
R4403	NRSA6AJ-470W	MG RESISTOR	47Ω 1/16W J		R4569	NRSA6AJ-101W	MG RESISTOR	100Ω 1/16W J	
R4404	NRSA6AJ-470W	MG RESISTOR	47Ω 1/16W J		R4571	NRSA6AJ-0R0W	MG RESISTOR	0Ω 1/16W J	
R4405	NRSA6AJ-470W	MG RESISTOR	47Ω 1/16W J		R4572	NRSA6AJ-0R0W	MG RESISTOR	0Ω 1/16W J	
R4406	NRSA6AJ-470W	MG RESISTOR	47Ω 1/16W J		R4573	NRSA6AJ-0R0W	MG RESISTOR	0Ω 1/16W J	
R4407	NRSA6AJ-470W	MG RESISTOR	47Ω 1/16W J		R4579	NRSA6AJ-101W	MG RESISTOR	100Ω 1/16W J	
R4408	NRSA6AJ-470W	MG RESISTOR	47Ω 1/16W J		R4580	NRSA6AJ-103W	MG RESISTOR	10kΩ 1/16W J	
R4409	NRSA6AJ-470W	MG RESISTOR	47Ω 1/16W J		R4581	NRSA6AJ-331W	MG RESISTOR	330Ω 1/16W J	
R4410	NRSA6AJ-470W	MG RESISTOR	47Ω 1/16W J		R4582	NRSA6AJ-331W	MG RESISTOR	330Ω 1/16W J	
R4411	NRSA6AJ-470W	MG RESISTOR	47Ω 1/16W J		R4583	NRSA6AJ-331W	MG RESISTOR	330Ω 1/16W J	
R4412	NRSA6AJ-470W	MG RESISTOR	47Ω 1/16W J		R4584	NRSA6AJ-0R0W	MG RESISTOR	0Ω 1/16W J	
R4413	NRSA6AJ-470W	MG RESISTOR	47Ω 1/16W J		R4587	NRSA6AJ-474W	MG RESISTOR	470kΩ 1/16W J	
R4414	NRSA6AJ-470W	MG RESISTOR	47Ω 1/16W J		R4588	NRSA6AJ-474W	MG RESISTOR	470kΩ 1/16W J	
R4415	NRSA6AJ-470W	MG RESISTOR	47Ω 1/16W J		R4901	NRSA6AJ-243W	MG RESISTOR	24kΩ 1/16W J	
R4416	NRSA6AJ-470W	MG RESISTOR	47Ω 1/16W J		R4902	NRSA6AJ-103W	MG RESISTOR	10kΩ 1/16W J	
R4417	NRSA6AJ-0R0W	MG RESISTOR	0Ω 1/16W J		R4903	NRSA6AJ-822W	MG RESISTOR	8.2kΩ 1/16W J	
R4418	NRSA6AJ-470W	MG RESISTOR	47Ω 1/16W J		R4904	NRSA6AJ-103W	MG RESISTOR	10kΩ 1/16W J	
R4419	NRSA6AJ-470W	MG RESISTOR	47Ω 1/16W J		R4905	NRSA6AJ-153W	MG RESISTOR	15kΩ 1/16W J	
R4420	NRSA6AJ-470W	MG RESISTOR	47Ω 1/16W J		R4906	NRSA6AJ-564W	MG RESISTOR	560kΩ 1/16W J	
R4501	NRSA6AJ-101W	MG RESISTOR	100Ω 1/16W J		R4907	NRSA6AJ-105W	MG RESISTOR	1MΩ 1/16W J	
R4502	NRSA6AJ-101W	MG RESISTOR	100Ω 1/16W J		R4908	NRSA6AJ-472W	MG RESISTOR	4.7kΩ 1/16W J	
R4503	NRSA6AJ-471W	MG RESISTOR	470Ω 1/16W J		R4909	NRSA6AJ-105W	MG RESISTOR	1MΩ 1/16W J	
R4504	NRSA6AJ-471W	MG RESISTOR	470Ω 1/16W J		R4910	NRSA6AJ-101W	MG RESISTOR	100Ω 1/16W J	
R4505	NRSA6AJ-471W	MG RESISTOR	470Ω 1/16W J		R4911	NRSA6AJ-101W	MG RESISTOR	100Ω 1/16W J	
R4506	NRSA6AJ-471W	MG RESISTOR	470Ω 1/16W J		R4912	NRSA6AJ-101W	MG RESISTOR	100Ω 1/16W J	
R4507	NRSA6AJ-471W	MG RESISTOR	470Ω 1/16W J		R4917	NRSA6AJ-103W	MG RESISTOR	10kΩ 1/16W J	
R4508	NRSA6AJ-471W	MG RESISTOR	470Ω 1/16W J		R4918	NRSA6AJ-103W	MG RESISTOR	10kΩ 1/16W J	
R4509	NRSA6AJ-0R0W	MG RESISTOR	0Ω 1/16W J		R4923	NRSA6AJ-123W	MG RESISTOR	12kΩ 1/16W J	
R4510	NRSA6AJ-0R0W	MG RESISTOR	0Ω 1/16W J		R4924	NRSA6AJ-123W	MG RESISTOR	12kΩ 1/16W J	
R4511	NRSA6AJ-0R0W	MG RESISTOR	0Ω 1/16W J		R4935	NRSA6AJ-104W	MG RESISTOR	100kΩ 1/16W J	
R4512	NRSA6AJ-0R0W	MG RESISTOR	0Ω 1/16W J		R4944	NRSA6AJ-0R0W	MG RESISTOR	0Ω 1/16W J	
R4513	NRSA6AJ-100W	MG RESISTOR	10Ω 1/16W J		R4945	NRSA6AJ-103W	MG RESISTOR	10kΩ 1/16W J	
R4514	NRSA6AJ-100W	MG RESISTOR	10Ω 1/16W J		R4951	NRSA6AJ-102W	MG RESISTOR	1kΩ 1/16W J	
R4515	NRSA6AJ-102W	MG RESISTOR	1kΩ 1/16W J		R4952	NRSA6AJ-102W	MG RESISTOR	1kΩ 1/16W J	
R4516	NRSA6AJ-0R0W	MG RESISTOR	0Ω 1/16W J		R4953	NRSA6AJ-102W	MG RESISTOR	1kΩ 1/16W J	
R4517	NRSA6AJ-0R0W	MG RESISTOR	0Ω 1/16W J		R4954	NRSA6AJ-102W	MG RESISTOR	1kΩ 1/16W J	
R4518	NRSA6AJ-0R0W	MG RESISTOR	0Ω 1/16W J		R4955	NRSA6AJ-101W	MG RESISTOR	100Ω 1/16W J	
R4519	NRSA6AJ-0R0W	MG RESISTOR	0Ω 1/16W J		R4956	NRSA6AJ-4R7W	MG RESISTOR	4.7Ω 1/16W J	
R4520	NRSA6AJ-0R0W	MG RESISTOR	0Ω 1/16W J		R4957	NRSA6AJ-4R7W	MG RESISTOR	4.7Ω 1/16W J	
R4521	NRSA6AJ-0R0W	MG RESISTOR	0Ω 1/16W J		R4959	NRSA6AJ-4R7W	MG RESISTOR	4.7Ω 1/16W J	
R4522	NRSA6AJ-0R0W	MG RESISTOR	0Ω 1/16W J		R4960	NRSA6AJ-4R7W	MG RESISTOR	4.7Ω 1/16W J	
R4523	NRSA6AJ-101W	MG RESISTOR	100Ω 1/16W J		R4961	NRSA6AJ-271W	MG RESISTOR	270Ω 1/16W J	
R4524	NRSA6AJ-101W	MG RESISTOR	100Ω 1/16W J		R5501	NRSA6AJ-0R0W	MG RESISTOR	0Ω 1/16W J	
R4525	NRSA6AJ-101W	MG RESISTOR	100Ω 1/16W J		R5502	NRSA6AJ-0R0W	MG RESISTOR	0Ω 1/16W J	
R4526	NRSA6AJ-101W	MG RESISTOR	100Ω 1/16W J		R5503	NRSA6AJ-0R0W	MG RESISTOR	0Ω 1/16W J	
R4527	NRSA6AJ-474W	MG RESISTOR	470kΩ 1/16W J		R5504	NRSA6AJ-100W	MG RESISTOR	10Ω 1/16W J	
R4528	NRSA6AJ-101W	MG RESISTOR	100Ω 1/16W J		R5505	NRSA6AJ-100W	MG RESISTOR	10Ω 1/16W J	
R4529	NRSA6AJ-101W	MG RESISTOR	100Ω 1/16W J		R5506	NRSA6AJ-100W	MG RESISTOR	10Ω 1/16W J	
R4530	NRSA6AJ-473W	MG RESISTOR	47kΩ 1/16W J		R5507	NRSA6AJ-100W	MG RESISTOR	10Ω 1/16W J	
R4531	NRSA6AJ-123W	MG RESISTOR	12kΩ 1/16W J		R5508	NRSA6AJ-100W	MG RESISTOR	10Ω 1/16W J	
R4532	NRSA6AJ-223W	MG RESISTOR	22kΩ 1/16W J		R5509	NRSA6AJ-100W	MG RESISTOR	10Ω 1/16W J	
R4533	NRSA6AJ-822W	MG RESISTOR	8.2kΩ 1/16W J		R5510	NRSA6AJ-100W	MG RESISTOR	10Ω 1/16W J	
R4534	NRSA6AJ-393W	MG RESISTOR	39kΩ 1/16W J		R5511	NRSA6AJ-104W	MG RESISTOR	100kΩ 1/16W J	
R4535	NRSA6AJ-101W	MG RESISTOR	100Ω 1/16W J		R5514	NRSA6AJ-100W	MG RESISTOR	10Ω 1/16W J	
R4536	NRSA6AJ-0R0W	MG RESISTOR	0Ω 1/16W J		R5515	NRSA6AJ-100W	MG RESISTOR	10Ω 1/16W J	
R4537	NRSA6AJ-0R0W	MG RESISTOR	0Ω 1/16W J		R5516	NRSA6AJ-100W	MG RESISTOR	10Ω 1/16W J	

MODEL	MARK	MODEL	MARK	MODEL	MARK
GZ-MG20AA	A	GZ-MG20AH	D	GZ-MG30AC	G
GZ-MG20AC	B	GZ-MG20AS	E		
GZ-MG20AG	C	GZ-MG30AA	F		

△ Symbol No.	Part No.	Part Name	Description	Local	△ Symbol No.	Part No.	Part Name	Description	Local
R5517	NRSA6AJ-100W	MG RESISTOR	10Ω 1/16W J		L4502	NQL38DM-4R7X	P COIL	4.7uH M	
R5518	NRSA6AJ-100W	MG RESISTOR	10Ω 1/16W J		L4503	NQL38DM-4R7X	P COIL	4.7uH M	
R5519	NRSA63J-0R0X	MG RESISTOR	0Ω 1/16W J		L4504	NQR0129-002X	FERRITE BEADS		
R5520	NRSA6AJ-0R0W	MG RESISTOR	0Ω 1/16W J		L4505	NQL38DM-4R7X	P COIL	4.7uH M	
R5521	NRSA6AJ-0R0W	MG RESISTOR	0Ω 1/16W J		L4506	NQR0129-002X	FERRITE BEADS		
R5805	NRSA6AJ-473W	MG RESISTOR	47kΩ 1/16W J		L4507	NQL38DM-4R7X	P COIL	4.7uH M	
R5806	NRSA6AJ-474W	MG RESISTOR	470kΩ 1/16W J		L4901	NQR0129-002X	FERRITE BEADS		
R5807	NRSA6AJ-183W	MG RESISTOR	18kΩ 1/16W J		L4953	NRSA63J-101X	MG RESISTOR	100Ω 1/16W J	
R5808	NRSA6AJ-105W	MG RESISTOR	1MΩ 1/16W J		L4954	NQL38DK-100X	P COIL	10uH K	
R5811	NRSA6AJ-123W	MG RESISTOR	12kΩ 1/16W J		L4955	NQL38DK-100X	P COIL	10uH K	
R5812	NRSA6AJ-0R0W	MG RESISTOR	0Ω 1/16W J		L5501	NQLC32M-100X	COIL	10uH M	
R7801	NRSA6AJ-363W	MG RESISTOR	36kΩ 1/16W J		L5502	NQR0129-002X	FERRITE BEADS		
R7802	NRSA6AJ-822W	MG RESISTOR	8.2kΩ 1/16W J		L5503	NQR0129-002X	FERRITE BEADS		
R7803	NRSA6AD-621W	MG RESISTOR	620Ω 1/16W D		L5504	NQR0129-002X	FERRITE BEADS		
R7804	NRSA6AD-222W	MG RESISTOR	2.2kΩ 1/16W D		L5505	NQR0129-002X	FERRITE BEADS		
R7805	NRSA6AD-123W	MG RESISTOR	12kΩ 1/16W D		L5506	NQLC32M-100X	COIL	10uH M	
R7807	NRSA6AJ-822W	MG RESISTOR	8.2kΩ 1/16W J		L5507	NQR0129-002X	FERRITE BEADS		
R7808	NRSA6AD-621W	MG RESISTOR	620Ω 1/16W D		L5508	NQLC32M-100X	COIL	10uH M	
R7809	NRSA6AD-222W	MG RESISTOR	2.2kΩ 1/16W D		L5801	NQR0129-002X	FERRITE BEADS		
R7810	NRSA6AD-123W	MG RESISTOR	12kΩ 1/16W D		L5851	NQR0129-002X	FERRITE BEADS		
R7812	NRSA6AJ-822W	MG RESISTOR	8.2kΩ 1/16W J		L7801	NRSA02J-0R0X	MG RESISTOR	0Ω 1/10W J	
R7813	NRSA6AD-621W	MG RESISTOR	620Ω 1/16W D		L7851	NRSA02J-0R0X	MG RESISTOR	0Ω 1/10W J	
R7814	NRSA6AD-222W	MG RESISTOR	2.2kΩ 1/16W D						
R7815	NRSA6AD-123W	MG RESISTOR	12kΩ 1/16W D		CN101	QGF0547C2-45X	CONNECTOR	OPE FFC/FPC (1-45)	
R7817	NRSA6AJ-822W	MG RESISTOR	8.2kΩ 1/16W J		CN102	QGF0508F1-40X	CONNECTOR	HDD FFC/FPC (1-40)	
R7851	NRSA6AD-333W	MG RESISTOR	33kΩ 1/16W D		CN103	QGF0508F1-45X	CONNECTOR	REAR FFC/FPC (1-45)	
R7853	NRSA6AD-363W	MG RESISTOR	36kΩ 1/16W D		CN104	QGF0508F1-06X	CONNECTOR	ZOOM OPE FFC/FPC (1-6)	
R7854	NRSA6AD-333W	MG RESISTOR	33kΩ 1/16W D		CN105	QGF0547C2-24X	CONNECTOR	CCD FFC/FPC (1-24)	
R7856	NRSA6AD-363W	MG RESISTOR	36kΩ 1/16W D		CN106	QGF0549C1-24W	CONNECTOR	OP FFC/FPC (1-24)	
R7857	NRSA6AD-333W	MG RESISTOR	33kΩ 1/16W D		CN107	QGA1001F1-04X	CONNECTOR	INT MIC W-B (1-4)	
R7859	NRSA6AD-363W	MG RESISTOR	36kΩ 1/16W D		CN109	QGA1001F1-02X	CONNECTOR	SPEAKER W-B (1-2)	
RA3001	NRZ0034-101W	NET RESISTOR	100Ω 1/32W J		CN110	QGB0512L1-30X	CONNECTOR	JIG B-B (1-30)	
RA3002	NRZ0034-101W	NET RESISTOR	100Ω 1/32W J		CN111	NNZ0134-001X	SD CARD CONNE	SD	
RA3201	NRZ0034-100W	NET RESISTOR	10Ω 1/32W J		△ F4951	NMFZ007-R25X-K	FUSE	0.25A 50V	
RA3202	NRZ0034-100W	NET RESISTOR	10Ω 1/32W J		J101	QNZ02497-001	USB(B) CONNECTOR	USB USB(MINI-B)	
RA4001	NRZ0034-221W	NET RESISTOR	220Ω 1/32W J		X1001	NAX0784-001X	C RESONATOR		
RA4002	NRZ0034-221W	NET RESISTOR	220Ω 1/32W J		X1002	NAX0564-001X	CRYSTAL	32.768kHz	
RA4201	NRZ0034-100W	NET RESISTOR	10Ω 1/32W J		X4001	NAX0710-001X	CXO		
RA4202	NRZ0034-100W	NET RESISTOR	10Ω 1/32W J		X5501	NAX0587-001X	CXO	54.0000MHz	
RA4301	NRZ0034-104W	NET RESISTOR	100kΩ 1/32W J		HD1	LY35009-001A-0K	HOLDER(W.B) KIT		
RA4302	NRZ0034-104W	NET RESISTOR	100kΩ 1/32W J		HD2	LY35009-001A	HOLDER(W.B)	W.B.SENS	
RA4303	NRZ0034-104W	NET RESISTOR	100kΩ 1/32W J		OT1	LY34189-015A	GASCKET	SD SOCKET	
RA4304	NRZ0034-104W	NET RESISTOR	100kΩ 1/32W J		OT2	LY34189-016A	GASCKET		
					OT3	LY30034-0W4A	SPACER(A)	FOR WIRE	AB,C,E,F,G
L111	NRSA02J-0R0X	MG RESISTOR	0Ω 1/10W J		WR1	QUBD76-04A1A1	SIN TWIST WIRE	IC4402-6P	AB,C,E,F,G
L121	NRSA63J-0R0X	MG RESISTOR	0Ω 1/16W J						
L131	NQR0506-002X	EMI FILTER							
L141	NQR0129-002X	FERRITE BEADS							
L161	NQL38DK-100X	P COIL	10uH K						
L171	NQR0129-002X	FERRITE BEADS							
L1001	NQR0129-002X	FERRITE BEADS							
L1002	NQLC32M-100X	COIL	10uH M						
L2401	NQLC32M-100X	COIL	10uH M						
L2402	NQLC32M-100X	COIL	10uH M						
L2601	NQR0269-013X	FERRITE BEADS							
L2602	NQR0269-013X	FERRITE BEADS							
L2603	NQR0269-013X	FERRITE BEADS							
L3001	NQR0129-002X	FERRITE BEADS							
L3002	NQR0154-003X	FERRITE CORE							
L3005	NQR0006-001X	FERRITE BEADS							
L3007	NQR0129-002X	FERRITE BEADS							
L3201	NQR0129-002X	FERRITE BEADS							
L3203	NRSA63J-0R0X	MG RESISTOR	0Ω 1/16W J						
L3206	NRSA63J-0R0X	MG RESISTOR	0Ω 1/16W J						
L3701	NQL38DK-100X	P COIL	10uH K						
L3702	NQL38DK-100X	P COIL	10uH K						
L4003	NQR0129-002X	FERRITE BEADS							
L4004	NQR0006-001X	FERRITE BEADS							
L4005	NQR0154-003X	FERRITE CORE							
L4006	NRSA63J-0R0X	MG RESISTOR	0Ω 1/16W J						
L4008	NRSA63J-0R0X	MG RESISTOR	0Ω 1/16W J						
L4201	NQR0129-002X	FERRITE BEADS							
L4202	NQLC32M-100X	COIL	10uH M						
L4301	NQR0129-002X	FERRITE BEADS							
L4303	NQR0154-003X	FERRITE CORE							
L4401	NQR0129-002X	FERRITE BEADS							
L4402	NQR0006-001X	FERRITE BEADS							
L4501	NQL38DM-4R7X	P COIL	4.7uH M						

CCD BOARD ASSEMBLY <02>

△ Symbol No.	Part No.	Part Name	Description	Local
PW1	LYA10056-01B	CCD BOARD ASSY		
IC5901	TC75S54FU-X	IC		
IC5901	or NJU7008F3-X	IC		
IC5952	NAL0028-001X	GYRO SENSOR	MURATA(A)	
Q5001	2SC3931/CD/-X	TRANSISTOR	CCD OUT	
Q5002	2SC4081/QR/-X	TRANSISTOR	VSUB CTL	
C5001	NBP41EM-475X-B	TA E CAPACITOR	4.7uF 25V M	
C5002	NCB31EK-104X	C CAPACITOR	0.1uF 25V K	
C5003	NBP21CM-106X	TA E CAPACITOR	10uF 16V M	
C5004	NCB31CK-104X	C CAPACITOR	0.1uF 16V K	
C5005	NCB31HK-104X	C CAPACITOR	0.1uF 50V K	
C5006	NCB31CK-104X	C CAPACITOR	0.1uF 16V K	
C5007	NCB31HK-222X	C CAPACITOR	2200pF 50V K	
C5901	NBE20JM-106X	TA E CAPACITOR	10uF 6.3V M	
C5906	NCB31CK-103X	C CAPACITOR	0.01uF 16V K	
C5907	NCB21AK-225X	C CAPACITOR	2.2uF 10V K	
C5908	NDC31HJ-331X	C CAPACITOR	330pF 50V J	
C5909	NBE20JM-475X	TA E CAPACITOR	4.7uF 6.3V M	
C5910	NDC31HJ-331X	C CAPACITOR	330pF 50V J	
C5912	NCB31CK-104X	C CAPACITOR	0.1uF 16V K	
C5951	NBE20JM-106X	TA E CAPACITOR	10uF 6.3V M	
C5953	NCB31CK-104X	C CAPACITOR	0.1uF 16V K	

MODEL	MARK	MODEL	MARK	MODEL	MARK
GZ-MG20AA	A	GZ-MG20AH	D	GZ-MG30AC	G
GZ-MG20AC	B	GZ-MG20AS	E		
GZ-MG20AG	C	GZ-MG30AA	F		

Symbol No.	Part No.	Part Name	Description	Local
R5001	NRSA63J-472X	MG RESISTOR	4.7kΩ 1/16W J	
R5002	NRSA63J-472X	MG RESISTOR	4.7kΩ 1/16W J	
R5905	NRSA63J-473X	MG RESISTOR	47kΩ 1/16W J	
R5906	NRSA63J-474X	MG RESISTOR	470kΩ 1/16W J	
R5907	NRSA63J-183X	MG RESISTOR	18kΩ 1/16W J	
R5908	NRSA63J-105X	MG RESISTOR	1MΩ 1/16W J	
R5911	NRSA63J-123X	MG RESISTOR	12kΩ 1/16W J	
R5912	NRSA63J-0R0X	MG RESISTOR	0Ω 1/16W J	
L5001	NQL315K-100X	COIL	10uH K	
L5002	NQR0129-002X	FERRITE BEADS		
L5003	NQL315K-100X	COIL	10uH K	
L5004	NQR0129-002X	FERRITE BEADS		
L5901	NQR0129-002X	FERRITE BEADS		
L5951	NQR0129-002X	FERRITE BEADS		
CN5001	QGF0503F4-24X	CONNECTOR	FFC/FPC (1-24)	
OT1	LY34957-007A	BUSTERAID(A)	FOR FPC	
WR1	QAL0740-001	FPC	FOR CN5001	

OPE BOARD ASSEMBLY <04>

Symbol No.	Part No.	Part Name	Description	Local
PW1	LYA10055-01B1	OPE BOARD ASSY		
Q421	BC847PN-X	PAIR TRANSISTOR		
Q422	BC847PN-X	PAIR TRANSISTOR		
D401	SML-A12UT-X	LED	POW/CHG	
D402	SMLA12BC4T-X	LED	DRV_ACCESS	
D403	MA8068-X	Z DIODE	LCD_OPN SW	
D403	or UDZS6.8B-X	Z DIODE	LCD_OPN SW	
D421	EW5806X/3LMH/	LED		
D422	EW5806X/3LMH/	LED		
D451	MA8068-X	Z DIODE	P_DET	
D451	or UDZS6.8B-X	Z DIODE	P_DET	
D452	MA8068-X	Z DIODE	S_DET	
D452	or UDZS6.8B-X	Z DIODE	S_DET	
C451	NCB31EK-103X	C CAPACITOR	0.01uF 25V K	
C452	NCB31EK-103X	C CAPACITOR	0.01uF 25V K	
C455	NCB31EK-103X	C CAPACITOR	0.01uF 25V K	
R401	NRSA63J-103X	MG RESISTOR	10kΩ 1/16W J	
R402	NRSA63J-332X	MG RESISTOR	3.3kΩ 1/16W J	
R403	NRSA63J-682X	MG RESISTOR	6.8kΩ 1/16W J	
R404	NRSA63J-223X	MG RESISTOR	22kΩ 1/16W J	
R405	NRSA63J-103X	MG RESISTOR	10kΩ 1/16W J	
R406	NRSA63J-332X	MG RESISTOR	3.3kΩ 1/16W J	
R407	NRSA63J-682X	MG RESISTOR	6.8kΩ 1/16W J	
R421	NRSA63J-391X	MG RESISTOR	390Ω 1/16W J	
R422	NRSA63J-182X	MG RESISTOR	1.8kΩ 1/16W J	
R423	NRSA63J-102X	MG RESISTOR	1kΩ 1/16W J	
R424	NRSA63J-270X	MG RESISTOR	27Ω 1/16W J	
R426	NRSA63J-270X	MG RESISTOR	27Ω 1/16W J	
R427	NRSA63J-473X	MG RESISTOR	47kΩ 1/16W J	
R428	NRSA63J-473X	MG RESISTOR	47kΩ 1/16W J	
R451	NRSA63J-101X	MG RESISTOR	100Ω 1/16W J	
R452	NRSA63J-101X	MG RESISTOR	100Ω 1/16W J	
L451	NQR0251-004X	FERRITE BEADS		
L452	NQR0251-004X	FERRITE BEADS		
L453	NRSA63J-0R0X	MG RESISTOR	0Ω 1/16W J	
L454	NRSA63J-0R0X	MG RESISTOR	0Ω 1/16W J	
L455	NRSA63J-0R0X	MG RESISTOR	0Ω 1/16W J	
BT401	QAB0069-001	LITHIUM BATTERY		
CN401	QGF0508F1-45X	CONNECTOR	MAIN PWB FFC/FPC (1-45)	
CN402	QGF0503F4-24X	CONNECTOR	MONI FPC FFC/FPC (1-24)	
J401	QNS0078-001	3.5 JACK	AV JACK	
J402	QND0078-001	S JACK	S JACK	
S401	NSW0260-001X	SLIDE SWITCH	POWER_CHRG	
S402	NSW0161-001X	DETECT SWITCH	LCD_OPEN	
S403	NSW0099-001X	SLIDE SWITCH	MOV/STILL	
S404	NSW0198-001X	TACT SWITCH	INFO	

Symbol No.	Part No.	Part Name	Description	Local
S405	NSW0198-001X	TACT SWITCH	PB/SET	
S406	NSW0198-001X	TACT SWITCH	DOWN	
S407	NSW0198-001X	TACT SWITCH	LEFT	
S408	NSW0198-001X	TACT SWITCH	RIGHT	
S409	NSW0198-001X	TACT SWITCH	UP	
S410	NSW0198-001X	TACT SWITCH	MENU	
S411	NSW0198-001X	TACT SWITCH	NIGHT EYE	
S412	NSW0198-001X	TACT SWITCH	TRASH	
S413	NSW0272-001X	TACT SWITCH	RESET	
HD1	LY21409-001A	HOLDER(LED)	LED HOLDER	
OT1	LY35083-001B	LED COVER(U)		
OT2	LY35084-001B	LED COVER(L)		
WR1	QUQ105-4504AA-E	FFC WIRE	OPE-MAIN 45pin 4cm	

REAR BOARD ASSEMBLY <05>

Symbol No.	Part No.	Part Name	Description	Local
PW1	LYA10058-01D	REAR BOARD ASSY		
IC6001	FA7725F	IC		
IC6002	LTC4412ES6-W	IC		
IC6004	S-89220ACNC-G-W	IC		
Q6002	DTC144EE-X	DIGI TRANSISTOR		
Q6002	or BCR148T-X	DIGI TRANSISTOR		
Q6002	or UN9213J-X	DIGI TRANSISTOR		
Q6002	or PDTCT144EE-X	DIGI TRANSISTOR		
Q6003	SP8J5-X	MOS FET	SP8J5	
Q6101	RSR025P03-X	MOS FET		
Q6102	RSR025N03-X	MOS FET		
Q6103	SSM3J14T-X	MOS FET		
Q6201	RSR025P03-X	MOS FET		
Q6202	RSR025N03-X	MOS FET		
Q6301	RSR025P03-X	MOS FET		
Q6302	RTF020P02-X	MOS FET		
Q6303	2SC4617/QR/-X	TRANSISTOR		
Q6303	or BC847BT-X	TRANSISTOR		
Q6303	or 2SD2216J/QR/-X	TRANSISTOR		
Q6303	or 2SC4738/YG/-X	TRANSISTOR		
Q6401	RSR025P03-X	MOS FET		
Q6402	RTF020P02-X	MOS FET		
Q6403	2SC4617/QR/-X	TRANSISTOR		
Q6404	RTF020P02-X	MOS FET		
Q6501	RSR025P03-X	MOS FET		
Q6502	2SC4617/RS/-X	TRANSISTOR		
Q6502	or BC847BT-X	TRANSISTOR		
Q6502	or 2SD2216J/RS/-X	TRANSISTOR		
Q6503	UMT1N-W	PAIR TRANSISTOR		
Q6503	or HN1A01FU/G/-X	PAIR TRANSISTOR		
Q6503	or BC856S-X	PAIR TRANSISTOR		
Q6506	DTC144EE-X	DIGI TRANSISTOR		
Q6506	or BCR148T-X	DIGI TRANSISTOR		
Q6506	or UN9213J-X	DIGI TRANSISTOR		
Q6506	or PDTCT144EE-X	DIGI TRANSISTOR		
Q6701	RSR025P03-X	MOS FET		
Q6702	RSR025P03-X	MOS FET		
Q6703	RSR025P03-X	MOS FET		
D601	EMZ6.8N-X	Z DIODE	BATT	
D602	UDZS16B-X	Z DIODE		
D6004	UDZS4.7B-X	Z DIODE		
D6101	RB160M-30-X	SB DIODE		
D6201	RB160M-30-X	SB DIODE		
D6301	RB160M-30-X	SB DIODE		
D6302	1SS355-X	SI DIODE		
D6302	or MA111-X	SI DIODE		
D6401	1SS355-X	SI DIODE		
D6401	or MA111-X	SI DIODE		
D6402	RB160M-30-X	SB DIODE		
D6501	RB481K-X	SB DIODE		
D6502	RB481K-X	SB DIODE		
D6701	RB160M-30-X	SB DIODE		
D6702	RB160M-30-X	SB DIODE		
D6801	RB551V-30-X	SB DIODE		
D6901	MA8068-X	Z DIODE		

MODEL	MARK	MODEL	MARK	MODEL	MARK
GZ-MG20AA	A	GZ-MG20AH	D	GZ-MG30AC	G
GZ-MG20AC	B	GZ-MG20AS	E		
GZ-MG20AG	C	GZ-MG30AA	F		

△ Symbol No.	Part No.	Part Name	Description	Local	△ Symbol No.	Part No.	Part Name	Description	Local
C601	NCB31EK-104X	C CAPACITOR	0.1uF 25V K		R6101	NRSA63J-0R0X	MG RESISTOR	0Ω 1/16W J	
C603	NCB31EK-104X	C CAPACITOR	0.1uF 25V K		R6102	NRSA63J-0R0X	MG RESISTOR	0Ω 1/16W J	
C6006	NCBA1AK-104W	C CAPACITOR	0.1uF 10V K		R6103	NRSA6AJ-822W	MG RESISTOR	8.2kΩ 1/16W J	
C6007	NCBA1AK-104W	C CAPACITOR	0.1uF 10V K		R6104	NRSA6AJ-0R0W	MG RESISTOR	0Ω 1/16W J	
C6008	NCB21CK-105X	C CAPACITOR	1uF 16V K		R6105	NRSA6AJ-123W	MG RESISTOR	12kΩ 1/16W J	
C6009	NCB21CK-224X	C CAPACITOR	0.22uF 16V K		R6106	NRSA6AJ-104W	MG RESISTOR	100kΩ 1/16W J	
C6010	NCBA1CK-103W	C CAPACITOR	0.01uF 16V K		R6107	NRSA6AD-243W	MG RESISTOR	24kΩ 1/16W D	
C6011	NCB21CK-105X	C CAPACITOR	1uF 16V K		R6108	NRSA6AD-363W	MG RESISTOR	36kΩ 1/16W D	
C6017	NCBA1AK-104W	C CAPACITOR	0.1uF 10V K		R6109	NRSA63J-0R0X	MG RESISTOR	0Ω 1/16W J	
C6018	NCBA1AK-104W	C CAPACITOR	0.1uF 10V K		R6110	NRSA6AJ-332W	MG RESISTOR	3.3kΩ 1/16W J	
C6019	NCBA1CK-103W	C CAPACITOR	0.01uF 16V K		R6111	NRSA6AD-473W	MG RESISTOR	47kΩ 1/16W D	
C6020	NCBA1CK-103W	C CAPACITOR	0.01uF 16V K		R6112	NRSA6AD-113W	MG RESISTOR	11kΩ 1/16W D	
C6101	NCB21CK-105X	C CAPACITOR	1uF 16V K		R6201	NRSA63J-0R0X	MG RESISTOR	0Ω 1/16W J	
C6102	NCB10JK-106X	C CAPACITOR	10uF 6.3V K		R6203	NRSA6AJ-0R0W	MG RESISTOR	0Ω 1/16W J	
C6103	NCBA1HK-221W	C CAPACITOR	220pF 50V K		R6204	NRSA6AJ-822W	MG RESISTOR	8.2kΩ 1/16W J	
C6104	NCBA1HK-102W	C CAPACITOR	1000pF 50V K		R6205	NRSA6AD-683W	MG RESISTOR	68kΩ 1/16W D	
C6105	NCBA1CK-103W	C CAPACITOR	0.01uF 16V K		R6206	NRSA6AD-363W	MG RESISTOR	36kΩ 1/16W D	
C6106	NCB21CK-105X	C CAPACITOR	1uF 16V K		R6301	NRSA6AJ-0R0W	MG RESISTOR	0Ω 1/16W J	
C6107	NCBA1CK-223W	C CAPACITOR	0.022uF 16V K		R6302	NRSA6AJ-103W	MG RESISTOR	10kΩ 1/16W J	
C6110	NCB21CK-105X	C CAPACITOR	1uF 16V K		R6303	NRSA6AJ-822W	MG RESISTOR	8.2kΩ 1/16W J	
C6201	NCB21CK-105X	C CAPACITOR	1uF 16V K		R6304	NRSA6AD-303W	MG RESISTOR	30kΩ 1/16W D	
C6202	NCB10JK-106X	C CAPACITOR	10uF 6.3V K		R6305	NRSA6AD-133W	MG RESISTOR	13kΩ 1/16W D	
C6203	NCBA1HK-102W	C CAPACITOR	1000pF 50V K		R6306	NRSA63J-0R0X	MG RESISTOR	0Ω 1/16W J	
C6204	NCBA1HK-221W	C CAPACITOR	220pF 50V K		R6310	NRSA6AJ-473W	MG RESISTOR	47kΩ 1/16W J	
C6301	NCB21CK-105X	C CAPACITOR	1uF 16V K		R6311	NRSA6AJ-185W	MG RESISTOR	1.8MΩ 1/16W J	
C6302	NCB10JK-106X	C CAPACITOR	10uF 6.3V K		R6313	NRSA6AJ-102W	MG RESISTOR	1kΩ 1/16W J	
C6303	NCBA1HK-681W	C CAPACITOR	680pF 50V K		R6401	NRSA6AJ-103W	MG RESISTOR	10kΩ 1/16W J	
C6305	NCBA1HK-221W	C CAPACITOR	220pF 50V K		R6402	NRSA6AD-123W	MG RESISTOR	12kΩ 1/16W D	
C6401	NCB21CK-105X	C CAPACITOR	1uF 16V K		R6403	NRSA6AJ-822W	MG RESISTOR	8.2kΩ 1/16W J	
C6402	NCB10JK-106X	C CAPACITOR	10uF 6.3V K		R6404	NRSA6AD-562W	MG RESISTOR	5.6kΩ 1/16W D	
C6403	NCBA1HK-681W	C CAPACITOR	680pF 50V K		R6405	NRSA6AJ-0R0W	MG RESISTOR	0Ω 1/16W J	
C6405	NCBA1HK-221W	C CAPACITOR	220pF 50V K		R6406	NRSA6AJ-473W	MG RESISTOR	47kΩ 1/16W J	
C6501	NCB21CK-105X	C CAPACITOR	1uF 16V K		R6407	NRSA6AJ-185W	MG RESISTOR	1.8MΩ 1/16W J	
C6502	NCF21CZ-105X	C CAPACITOR	1uF 16V Z		R6409	NRSA6AJ-102W	MG RESISTOR	1kΩ 1/16W J	
C6503	NCB11EK-105X	C CAPACITOR	1uF 25V K		R6410	NRSA63J-0R0X	MG RESISTOR	0Ω 1/16W J	
C6504	NCB11CK-475X	C CAPACITOR	4.7uF 16V K		R6412	NRSA6AJ-185W	MG RESISTOR	1.8MΩ 1/16W J	
C6505	NCF21CZ-105X	C CAPACITOR	1uF 16V Z		R6502	NRSA6AD-104W	MG RESISTOR	100kΩ 1/16W D	
C6506	NCB11EK-105X	C CAPACITOR	1uF 25V K		R6503	NRSA6AD-913W	MG RESISTOR	91kΩ 1/16W D	
C6507	NCB31EK-104X	C CAPACITOR	0.1uF 25V K		R6504	NRSA6AJ-103W	MG RESISTOR	10kΩ 1/16W J	
C6508	NCB21CK-105X	C CAPACITOR	1uF 16V K		R6505	NRSA6AJ-333W	MG RESISTOR	33kΩ 1/16W J	
C6509	NCBA1AK-333W	C CAPACITOR	0.033uF 10V K		R6507	NRSA6AJ-754W	MG RESISTOR	750kΩ 1/16W J	
C6510	NCBA1AK-473W	C CAPACITOR	0.047uF 10V K		R6509	NRSA63J-102X	MG RESISTOR	1kΩ 1/16W J	
C6511	NCB21CK-105X	C CAPACITOR	1uF 16V K		R6512	NRSA6AJ-473W	MG RESISTOR	47kΩ 1/16W J	
C6512	NCB31CK-104X	C CAPACITOR	0.1uF 16V K		R6513	NRSA6AJ-272W	MG RESISTOR	2.7kΩ 1/16W J	
C6701	NCB21CK-105X	C CAPACITOR	1uF 16V K		R6518	NRSA6AJ-104W	MG RESISTOR	100kΩ 1/16W J	
C6702	NCB41CK-106X	C CAPACITOR	10uF 16V K		R6519	NRSA6AJ-823W	MG RESISTOR	82kΩ 1/16W J	
C6704	NCBA1EK-472W	C CAPACITOR	4700pF 25V K		R6702	NRV142F-R20X	CMF RESISTOR	0.2Ω 1/4W F	
C6705	NCBA1CK-103W	C CAPACITOR	0.01uF 16V K		R6703	NRSA6AJ-105W	MG RESISTOR	1MΩ 1/16W J	
C6706	NCBA1HK-221W	C CAPACITOR	220pF 50V K		R6704	NRSA6AJ-105W	MG RESISTOR	1MΩ 1/16W J	
C6707	NCBA1HK-821W	C CAPACITOR	820pF 50V K		R6708	NRSA6AD-133W	MG RESISTOR	13kΩ 1/16W D	
C6802	NCB10JK-106X	C CAPACITOR	10uF 6.3V K		R6709	NRSA6AD-104W	MG RESISTOR	100kΩ 1/16W D	
C6803	NCBA1HK-102W	C CAPACITOR	1000pF 50V K		R6710	NRSA6AJ-124W	MG RESISTOR	120kΩ 1/16W J	
C6804	NCBA1HK-392W	C CAPACITOR	3900pF 50V K		R6712	NRSA6AJ-561W	MG RESISTOR	560Ω 1/16W J	
					R6713	NRSA6AJ-224W	MG RESISTOR	220kΩ 1/16W J	
R601	NRSA6AJ-103W	MG RESISTOR	10kΩ 1/16W J		R6714	NRSA6AJ-472W	MG RESISTOR	4.7kΩ 1/16W J	
R602	NRSA6AJ-332W	MG RESISTOR	3.3kΩ 1/16W J		R6715	NRSA6AD-472W	MG RESISTOR	4.7kΩ 1/16W D	
R603	NRSA6AJ-0R0W	MG RESISTOR	0Ω 1/16W J		R6716	NRSA6AJ-822W	MG RESISTOR	8.2kΩ 1/16W J	
R604	NRSA6AD-154W	MG RESISTOR	150kΩ 1/16W D		R6717	NRSA6AD-183W	MG RESISTOR	18kΩ 1/16W D	
R605	NRSA6AD-393W	MG RESISTOR	39kΩ 1/16W D		R6718	NRSA6AJ-0R0W	MG RESISTOR	0Ω 1/16W J	
R6001	NRSA6AJ-102W	MG RESISTOR	1kΩ 1/16W J		R6719	NRSA63J-0R0X	MG RESISTOR	0Ω 1/16W J	
R6002	NRSA6AJ-102W	MG RESISTOR	1kΩ 1/16W J		R6802	NRSA6AJ-472W	MG RESISTOR	4.7kΩ 1/16W J	
R6003	NRSA6AJ-102W	MG RESISTOR	1kΩ 1/16W J		R6803	NRSA6AJ-102W	MG RESISTOR	1kΩ 1/16W J	
R6004	NRSA6AJ-102W	MG RESISTOR	1kΩ 1/16W J						
R6005	NRSA6AD-303W	MG RESISTOR	30kΩ 1/16W D		L6101	NQL52EM-390X	COIL	39uH M	
R6007	NRSA6AD-473W	MG RESISTOR	47kΩ 1/16W D		L6201	NQL52EM-390X	COIL	39uH M	
R6008	NRSA6AD-823W	MG RESISTOR	82kΩ 1/16W D		L6301	NQL52EM-390X	COIL	39uH M	
R6009	NRSA6AD-333W	MG RESISTOR	33kΩ 1/16W D		L6401	NQL52EM-390X	COIL	39uH M	
R6010	NRSA63J-0R0X	MG RESISTOR	0Ω 1/16W J		L6501	NQL52EM-221X	COIL	220uH M	
R6012	NRSA6AJ-564W	MG RESISTOR	560kΩ 1/16W J		L6502	NQL38DK-100X	P COIL	10uH K	
R6014	NRSA02J-0R0X	MG RESISTOR	0Ω 1/10W J		L6701	NQL52EM-470X	COIL	47uH M	
R6015	NRSA02J-0R0X	MG RESISTOR	0Ω 1/10W J		L6801	NQL79GM-470X	COIL	47uH M	
R6016	NRSA6AJ-104W	MG RESISTOR	100kΩ 1/16W J						
R6017	NRSA6AJ-514W	MG RESISTOR	510kΩ 1/16W J		CN6001	QGF0508F1-45X	CONNECTOR	FFC/FPC (1-45)	
R6018	NRSA6AJ-184W	MG RESISTOR	180kΩ 1/16W J		△ F6001	NMFZ007-2R5X-K	FUSE	2.5A 24V	
R6019	NRSA6AJ-824W	MG RESISTOR	820kΩ 1/16W J		△ F6002	NMFZ007-2R5X-K	FUSE	2.5A 24V	
R6021	NRSA6AJ-474W	MG RESISTOR	470kΩ 1/16W J		△ F6301	NMFZ007-1R25X-K	FUSE	1.25A 32V	
R6022	NRSA6AJ-104W	MG RESISTOR	100kΩ 1/16W J		△ F6501	NMFZ007-R80X-K	FUSE	0.8A 32V	
R6034	NRSA6AJ-0R0W	MG RESISTOR	0Ω 1/16W J		J601	QNA0039-001	DC JACK	DC JACK	

MODEL	MARK	MODEL	MARK	MODEL	MARK
GZ-MG20AA	A	GZ-MG20AH	D	GZ-MG30AC	G
GZ-MG20AC	B	GZ-MG20AS	E		
GZ-MG20AG	C	GZ-MG30AA	F		

Symbol No.	Part No.	Part Name	Description	Local
S601	NSW0223-001X	TACT SWITCH	TRIG SW	
OT1	LY34957-006A	BUSTERAID(A)	BASTA	
OT2	LY30034-0Y7A	SPACER(A)		
OT3	LY30034-0Y9A	SPACER(A)		
SD1	LY45129-001B	SHIELD REAR	REG SHIELD	
TB1	LY34726-001A	BATT. TERMINAL	BATT TERMI	
WR1	QAL0741-001	FPC	MAIN-REG	

MONI-BL BOARD ASSEMBLY <06>

Symbol No.	Part No.	Part Name	Description	Local
PW2	LYA10055-02B2	MONI-BL BOARD ASSY		
IC7601	DN8797MS-X	IC		
Q7702	UMD3N-W	DIGI TRANSISTOR		
Q7703	UMX1N-W	PAIR TRANSISTOR		
D7602	RB521S-30-X	SB DIODE		
D7603	RB521S-30-X	SB DIODE		
D7604	RB521S-30-X	SB DIODE		
D7605	RB521S-30-X	SB DIODE		
C7602	NCB10JK-106X	C CAPACITOR	10uF 6.3V K	
C7603	NCB21CK-105X	C CAPACITOR	1uF 16V K	
C7604	NCB21CK-105X	C CAPACITOR	1uF 16V K	
C7605	NCB21CK-105X	C CAPACITOR	1uF 16V K	
C7606	NCB21CK-105X	C CAPACITOR	1uF 16V K	
C7607	NCB21CK-105X	C CAPACITOR	1uF 16V K	
C7608	NCB11EK-105X	C CAPACITOR	1uF 25V K	
C7609	NCB21CK-105X	C CAPACITOR	1uF 16V K	
C7610	NCB11EK-105X	C CAPACITOR	1uF 25V K	
C7611	NCB11EK-105X	C CAPACITOR	1uF 25V K	
C7612	NCB21CK-105X	C CAPACITOR	1uF 16V K	
C7613	NCB31EK-153X	C CAPACITOR	0.015uF 25V K	
C7614	NCB31CK-224X	C CAPACITOR	0.22uF 16V K	
C7615	NCB31EK-104X	C CAPACITOR	0.1uF 25V K	
C7703	NCB31EK-103X	C CAPACITOR	0.01uF 25V K	
C7704	NCB31EK-104X	C CAPACITOR	0.1uF 25V K	
R7601	NRSA63J-0R0X	MG RESISTOR	0Ω 1/16W J	
R7603	NRSA63J-0R0X	MG RESISTOR	0Ω 1/16W J	
R7605	NRSA63J-0R0X	MG RESISTOR	0Ω 1/16W J	
R7606	NRSA63J-0R0X	MG RESISTOR	0Ω 1/16W J	
R7607	NRSA63D-223X	MG RESISTOR	22kΩ 1/16W D	
R7608	NRSA63J-106X	MG RESISTOR	10MΩ 1/16W J	
R7609	NRSA63J-104X	MG RESISTOR	100kΩ 1/16W J	
R7610	NRSA63J-0R0X	MG RESISTOR	0Ω 1/16W J	
R7702	NRSA63J-0R0X	MG RESISTOR	0Ω 1/16W J	
R7703	NRSA63J-332X	MG RESISTOR	3.3kΩ 1/16W J	
R7705	NRSA63J-102X	MG RESISTOR	1kΩ 1/16W J	
R7706	NRSA63J-240X	MG RESISTOR	24Ω 1/16W J	
L7602	NQL38DK-101X	P COIL	100uH K	
CN7601	QGF0530F5-12W	CONNECTOR	OPE FFC/FPC (1-12)	
CN7602	QGF0530F5-12W	CONNECTOR	OPE FFC/FPC (1-12)	
CN7603	QGF0528F1-40X	CONNECTOR	LCD FFC/FPC (1-40)	
CN7701	QGF0530F5-06W	CONNECTOR	LED BL FFC/FPC (1-6)	
WR1	QAL0687-001	FPC		