

# PARTS LIST

## SAFETY PRECAUTION

Parts identified by the  $\triangle$  symbol are critical for safety. Replace only with specified part numbers.

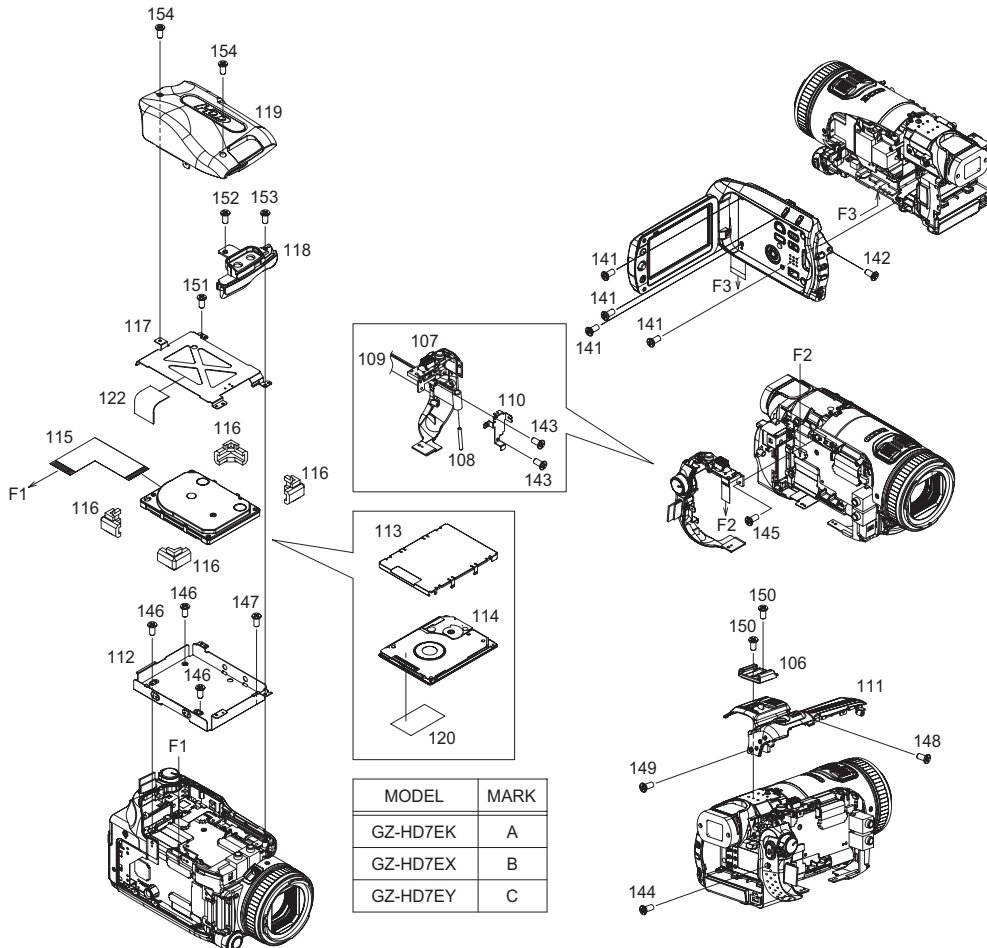
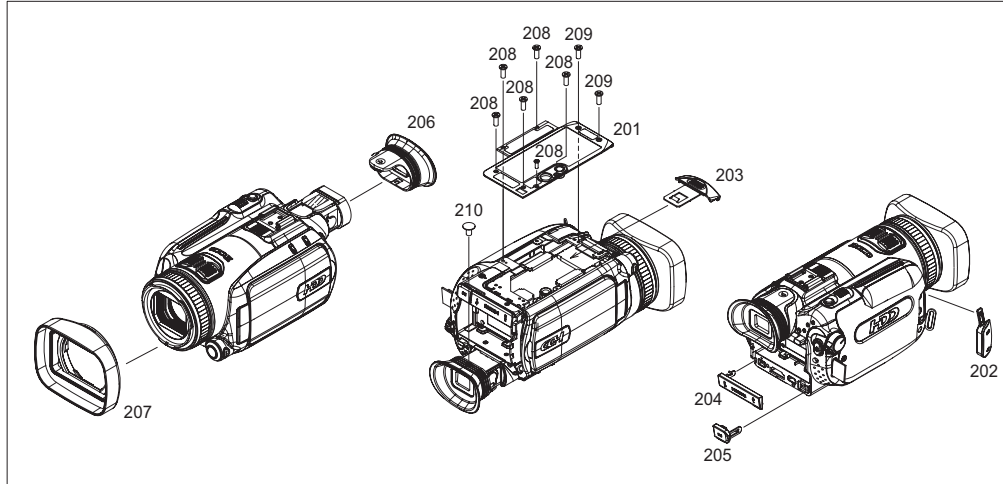
## BEWARE OF BOGUS PARTS

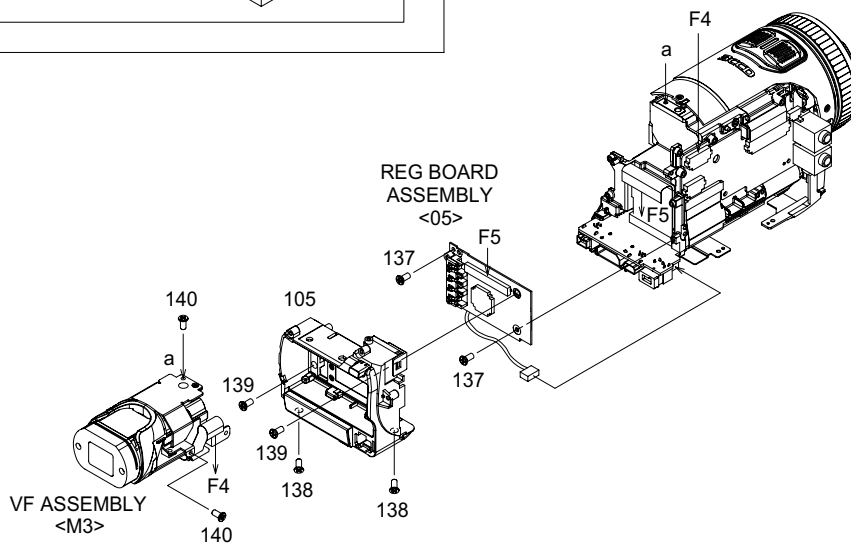
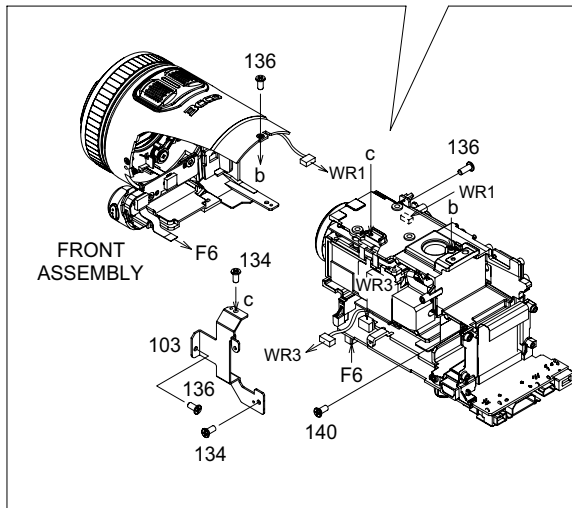
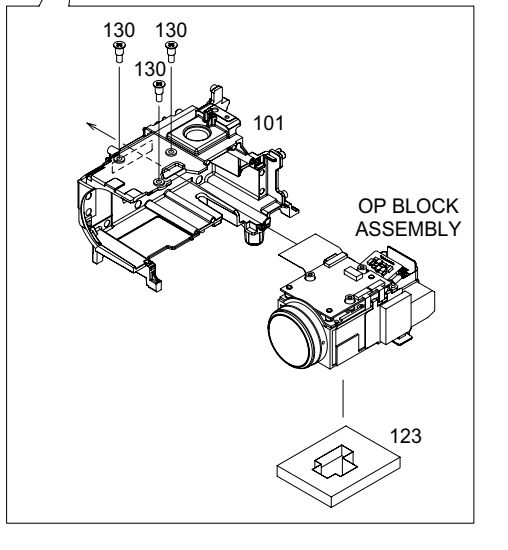
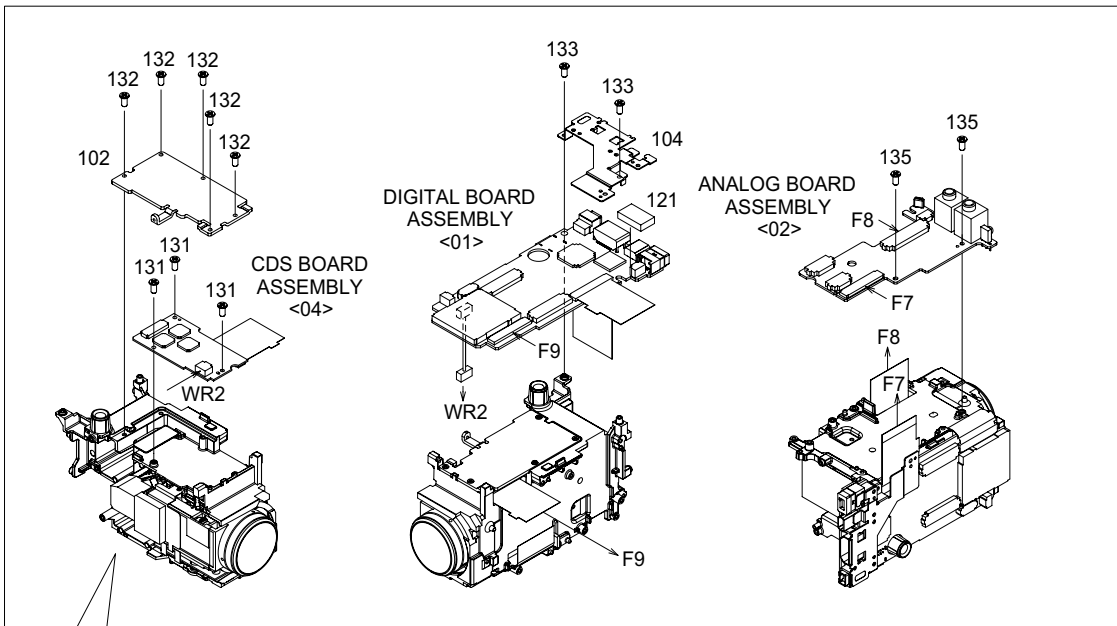
Parts that do not meet specifications may cause trouble in regard to safety and performance. We recommend that genuine JVC parts be used.

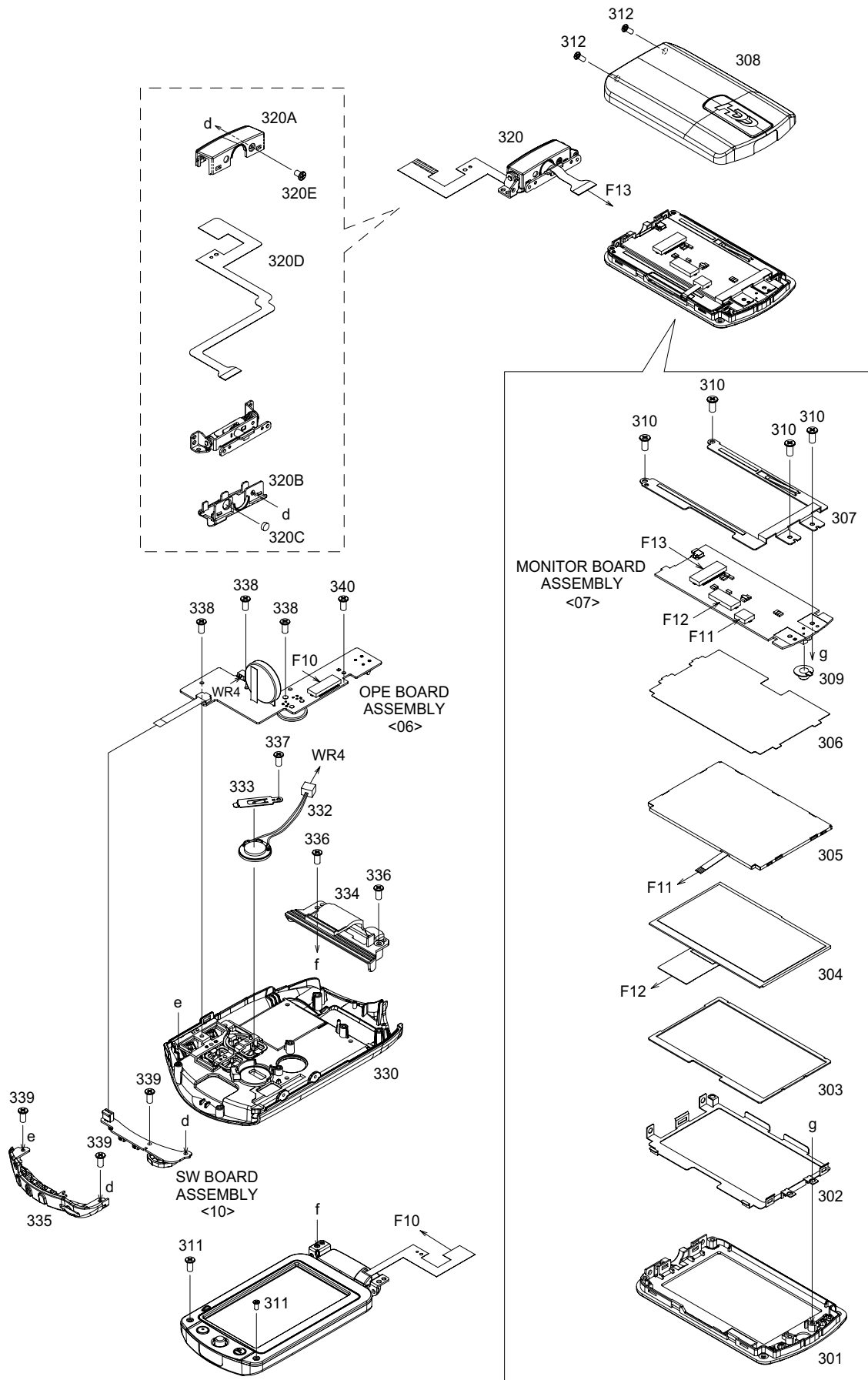
### 1. EXPLODED VIEW

#### 1.1 FINAL ASSEMBLY<M1>

The instruction manual to be provided with this product will differ according to the destination.

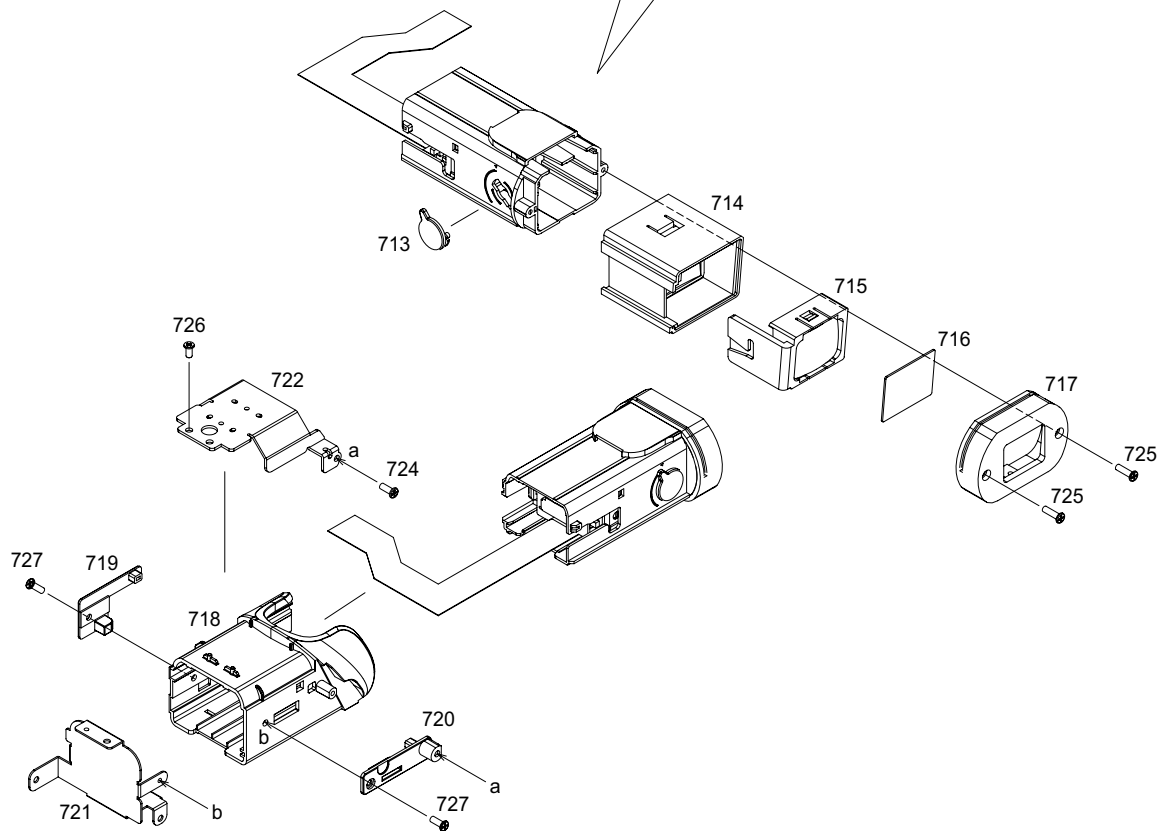
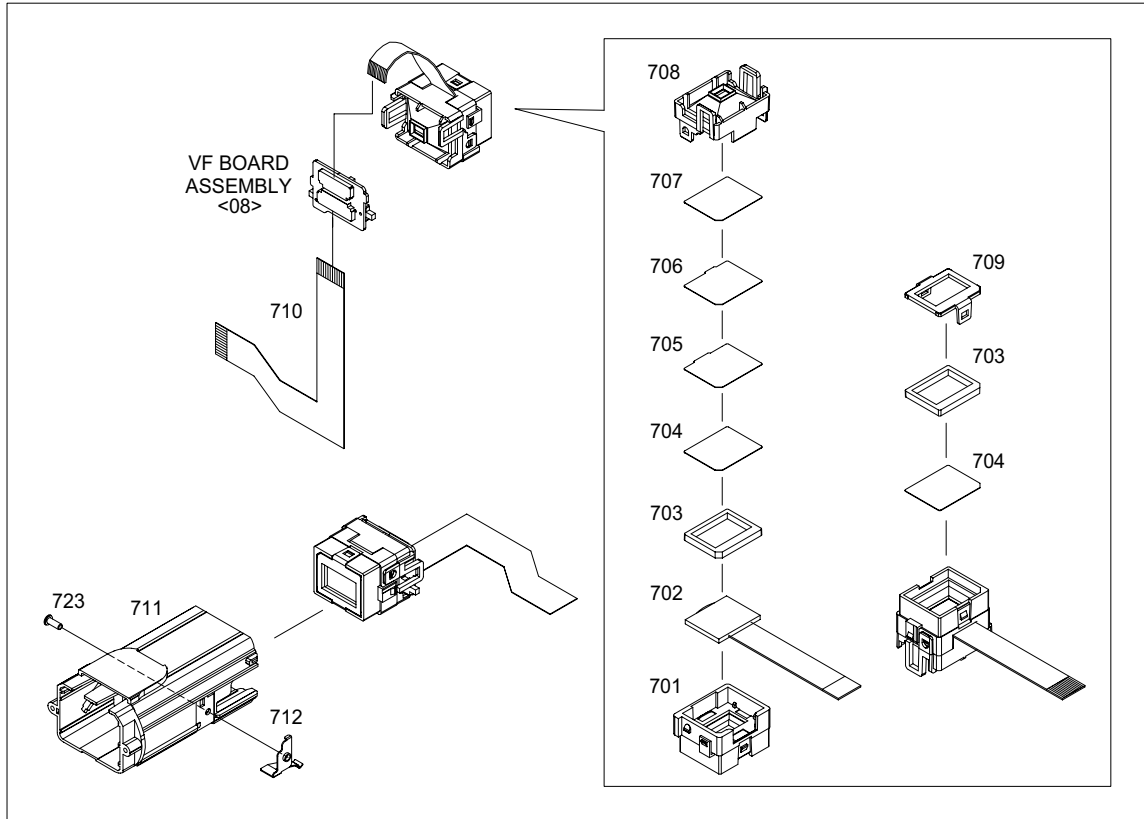




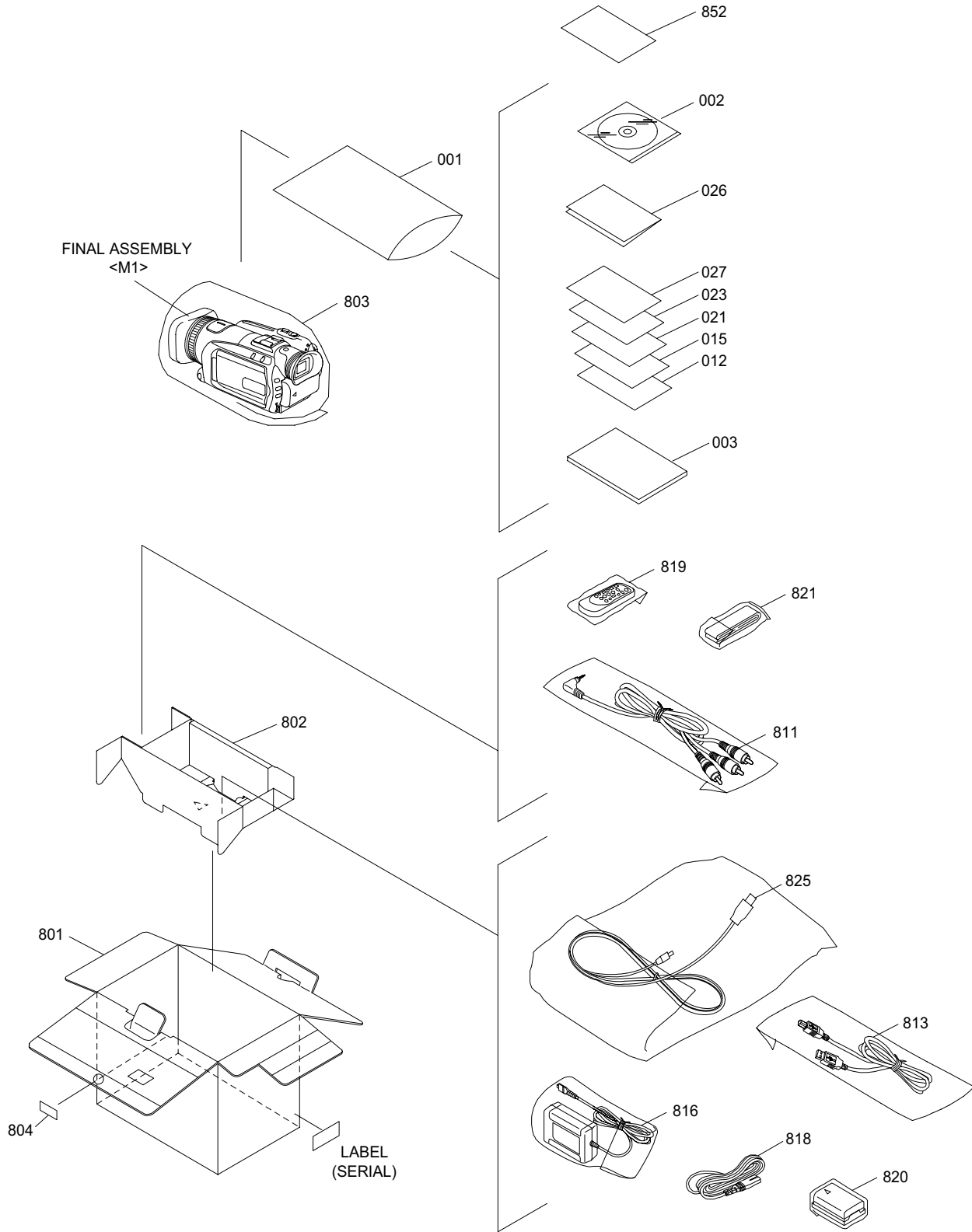




## 1.2 VF ASSEMBLY <M3>



### 1.3 PACKING AND ACCESSORY ASSEMBLY <M5>



MODEL	MARK
GZ-HD7EK	A
GZ-HD7EX	B
GZ-HD7EY	C

## 2. PARTS LIST

### FINAL ASSEMBLY <M1>

Symbol No.	Part No.	Part Name	Description	Local
	101	LY35652-001A	FRAME ASSY	
	102	LY35653-001A	HEAT SINK(B)	
	103	LY35654-001A	BKT(FRONT)	
	104	LY21631-001A	SHIELD(DIGITAL)	
△	105	LY35656-001C	REAR COVER ASSY	
	106	LY35741-001A	SHOE ASSY	
	107	LY21624-001A	OPE UNIT	
	108	LY35701-001A	SHAFT(G.B)	
	109	LY21625-001A	GRIP BELT	
	110	LY35702-001A	BKT(G.B)	
	111	LY35661-001B	TOP COVER ASSY	
	112	LY35950-001A	CASE(HDD) ASSY	
	113	LY35558-001A-ML	BKT(HDD) ASSY	JPN
	114	QAL0941-003	HDD	60GB
	115	QAL0974-001	FPC	HDD-DIGI
	116	LY35665-001A	GEL	(x4)
	117	LY35884-001B	HDD COVER ASSY	
	118	LY35685-001B	WINDOW COVER	
	119	LY35686-001A	GRIP COVER ASSY	
	120	LY45444-001A	SPACER(HDD)	
	121	LY30035-087A	SPACER(A)	
	122	LY45291-012A	GASKET	
	123	LY45458-001A	SHEET 1	
	130	LY30032-021A	SPECIAL SCREW	FRM-OP(x3)
	131	LY30031-0K7A	SPECIAL SCREW	CDS-FRM(x3)
	132	LY30031-0K7A	SPECIAL SCREW	H SINK-FRM(x5)
	133	LY30031-0K7A	SPECIAL SCREW	D PWB-FRM(x2)
	134	LY30031-0K7A	SPECIAL SCREW	BKT F-FRM(x2)
	135	LY30031-0K7A	SPECIAL SCREW	A PWB-FRM(x2)
	136	LY30031-0K7A	SPECIAL SCREW	FRONT-FRM(x3)
	137	LY30031-0K7A	SPECIAL SCREW	R PWB-FRM(x2)
	138	LY30031-0K4A	SPECIAL SCREW	REAR-SHLD(x2)
	139	LY30031-0L1A	SPECIAL SCREW	REAR-FRM(x2)
	140	LY30031-0K7A	SPECIAL SCREW	VF-FRM(x3)
	141	LY30031-0K4A	SPECIAL SCREW	UPPER-FRM(x4)
	142	LY30031-096A	SPECIAL SCREW	UPPER-REAR
	143	LY30031-096A	SPECIAL SCREW	BKT(G.B-OPE(x2)
	144	LY30031-0M4A	SPECIAL SCREW	OPE-REAR
	145	LY30031-0K7A	SPECIAL SCREW	OPE-FRM
	146	LY30031-0K7A	SPECIAL SCREW	CAS HD-FRM(x3)
	147	LY30031-0K7A	SPECIAL SCREW	C.HD-T-FRM
	148	LY30031-0K7A	SPECIAL SCREW	TOP-FRM
	149	LY30031-0M4A	SPECIAL SCREW	TOP-REAR
	150	LY30031-0K4A	SPECIAL SCREW	SHE-SH PLT(x2)
	151	LY30031-0M4A	SPECIAL SCREW	HD COV-OPE
	152	LY30031-0K4A	SPECIAL SCREW	WID-HD COV
	153	LY30031-0M4A	SPECIAL SCREW	WIND-TOP
	154	LY30031-0K4A	SPECIAL SCREW	G CV-CS HD(x2)
	201	LY35689-001B	BOT.COVER ASSY	
	202	LY35691-001B	J.COVER(AV)ASSY	
	203	LY35849-001B	DOOR(SD)ASSY	
	204	LY35660-001B	JACK COVER(USB)	
	205	LY35694-001C	JACK COVER(DC)	
	206	LY35696-001B	EYE CUP	
	207	LY35670-001B	HOOD(ACC)ASSY	
	208	LY30031-0K4A	SPECIAL SCREW	BTM CV-UPP(x6)
	209	LY30031-096A	SPECIAL SCREW	BTM CV-CVS(x2)
	210	LY30031-0B1A	SPECIAL SCREW	EYE-TOP(VF)
	301	LY35636-001C	MONI.CASE ASSY	
	302	LY21607-001B	BKT(LCD)	
	303	LY45422-001A	SPACER(LCD)	
	304	QLD0482-001	LCD MODULE	
	305	QLL0184-001	BACK LIGHT	
	306	LY35639-001A	SPACER(PET)	
	307	LY21608-001A	BKT(LCD/U)	
	308	LY35640-001D	MONI.COVER ASSY	
	309	LY45308-001A	KNOB(CURSOL)	
	310	LY30031-0L8B	SPECIAL SCREW	MCASE-PWB(x4)
	311	LY30031-096A	SPECIAL SCREW	MCOV-MCASE(x2)
	312	LY30031-013A	SPECIAL SCREW	MCOV-HINGE(x2)
	320	LY35740-001E	HINGE UNIT ASSY	
	320A	LY35650-001A	HINGE COVER(U)	
	320B	LY35651-001B	HINGE COVER(L)	
	320C	LY45427-001A	P.C.MAGNET	

Symbol No.	Part No.	Part Name	Description	Local
	320D	QAL0975-001	FPC	
	320E	LY30031-0E3A	SPECIAL SCREW	HCOV-HINGE
	330	LY21610-001C	U.CASE ASSY	
	332	QAS0496-001	SPEAKER	
	333	LY35646-001A	BKT(SPK)	
	334	LY35647-001A	COVER(UPPER)	
	335	LY35648-001B	COVER(REAR)ASSY	
	336	LY30031-013A	SPECIAL SCREW	HINGE-UCAS(x2)
	337	LY30031-0K7A	SPECIAL SCREW	UC-BKT(SPK)
	338	LY30031-0K7A	SPECIAL SCREW	OPWB-UCASE(x3)
	339	LY30031-0K7A	SPECIAL SCREW	UCAS-COVRE(x3)
	340	LY30031-0K7A	SPECIAL SCREW	FPC-UCASE
	501	LY35779-001E	FRONT ASSY	
	502	LY35715-001E	FOCUS RING ASSY	
	503	LY35980-001A	HOOD ASSY	
	504	LY35666-001A	COVER(MIC)	
	505	LY35667-001A	HOLDER(MIC)	
	506	LY35883-001A	MIC	
	507	LY35669-001A	BKT(MIC)	
	508	LY35723-001C	COVER(SD)ASSY	
	509	LY30031-0K4A	SPECIAL SCREW	HOOD-FRN(x2)
	510	LY30031-0L8B	SPECIAL SCREW	FOCUS-FRN(x4)
	511	LY30031-0K7A	SPECIAL SCREW	F.PWB(x2)
	512	LY30031-0L8B	SPECIAL SCREW	MIC
	513	LY30031-0K7A	SPECIAL SCREW	MIC(x2)
	514	LY30035-091A	SPACER(A)	(x2)
	601	LY45407-001A	OP BLOCK ASSY	
	601A	PTY45407-006	IRIS MOTOR UNIT	
	601B	PTY45407-001	ZOOM MOTOR UNIT	
	601C	PTY45407-002	FOCUS MOTOR UNIT	
	601D	PTY45407-951	SPRING	(x2)
	601E	PTY45407-991	SHEET	
	601F	PTY45407-992	SHEET	
	601G	PTY45407-501	SCREW	(x4)
	601H	PTY45407-502	SCREW	(x3)
	601J	PTY45407-056	SENSOR	(x2)
	602	LY45408-001A	PRISM ASSY	
	603	QYSPSGU1750ZA	TAP SCREW	PRISM-OP M1.7 x 5mm(x3)
	604	LY35412-001A	HEAT SHEET(CCD)	(x3)
	605	LY35730-001A	H.SINK(CDD)ASSY	
	606	LY30031-037A	SPECIAL SCREW	HSINK-OP

### VF ASSEMBLY <M3>

Symbol No.	Part No.	Part Name	Description	Local
	701	LY21620-001B	HOLDER(LCD)	
	702	QLD0481-001	LCD MODULE	
	703	LY45319-001A	CUSHION	(x2)
	704	LY45314-001B	SHEET(POLA)	(x2)
	705	LY45317-001A	SHEET(BEF-B)	
	706	LY45315-001A	SHEET(BEF-A)	
	707	LY45316-001A	SHEET(DEFF)	
	708	LY35776-001B	CASE(BL)	
	709	LY35735-001B	STOPPER(POLA)	
	710	QAL0973-001	FPC	
	711	LY35870-001A	S.CASE(VF) ASSY	
	712	LY35684-001A	CLICK PLATE	
	713	LY45318-001A	LEVER(VF)	
	714	LY35678-001D	LENS1 ASSY	
	715	LY35681-001D	LENS2 ASSY	
	716	LY45313-001A	SHEET(PROTECT)	
	717	LY35677-001A	TOP COVER(VF)	
	718	LY21618-001A	OUT CASE(VF)	
	719	LY35675-001A	SLIDE STOPPER 1	
	720	LY35676-001A	SLIDE STOPPER 2	
	721	LY35674-001A	BKT(VF)	
	722	LY35673-001A	VF SHOE PLATE	
	723	LY30031-0H5A	SPECIAL SCREW	CLICK-SLD
	724	LY30031-0L8B	SPECIAL SCREW	SHOEP-SLD
	725	LY30031-0L8B	SPECIAL SCREW	TCOVVF-SLD(x2)
	726	LY30031-0K7A	SPECIAL SCREW	SHOE-BKTVF
	727	LY30031-0K7A	SPECIAL SCREW	STOP-BKTVF(x2)

MODEL	MARK
GZ-HD7EK	A
GZ-HD7EX	B
GZ-HD7EY	C

### PACKING AND ACCESSORY ASSEMBLY <M5>

△ Symbol No. Part No. Part Name Description Local

△ Symbol No.	Part No.	Part Name	Description	Local
001	LY34452-001B	POLY BAG	DOCUMENT	
002	LY35273-018B	CD ROM ASSY		
△ 003	LYT1737-001B	INST BOOK(EN)	(ENGLISH)	A
△ 003	LYT1737-002B	INST BOOK(GE)	(GERMAN)	B
△ 003	LYT1737-003B	INST BOOK(FR)	(FRENCH)	B
△ 003	LYT1737-004B	INST BOOK(DU)	(DUTCH)	B
△ 003	LYT1737-005B	INST BOOK(SP)	(SPANISH)	B
△ 003	LYT1737-006B	INST BOOK(IT)	(ITALIAN)	B
△ 003	LYT1737-007B	INST BOOK(PT)	(PORTUGUESE)	B
△ 003	LYT1737-008B	INST BOOK(DA)	(DANISH)	C
△ 003	LYT1737-009B	INST BOOK(FI)	(FINN)	C
△ 003	LYT1737-010B	INST BOOK(SW)	(SWEDISH)	C
△ 003	LYT1737-011B	INST BOOK(NO)	(NORWEGIAN)	C
△ 003	LYT1737-013B	INST BOOK(CZ)	(CZECH)	C
△ 003	LYT1737-014B	INST BOOK(PO)	(POLISH)	C
012	YU30878	REGIS. CARD		A
015	LYT0194-001B	Q.CARD(JUK)		A
021	LYT1775-002A	SHEET(ATT.)		A,B
021	LYT1775-003A	SHEET(ATT.)		C
023	LY35208-001A	SHEET(E-SHOP)		A
026	LYT1773-001A	SHEET(ATT.EN)		A
026	LYT1773-002A	SHEET(ATT.FRSP)		B
026	LYT1773-003A	SHEET(ATT.GEDU)		B
026	LYT1773-004A	SHEET(ATT.ITPT)		B
026	LYT1773-005A	SHEET(ATT.DAFI)		C
026	LYT1773-006A	SHEET(ATT.SWNO)		C
026	LYT1773-011A	SHEET(ATT.CZPO)		C
027	LY35999-002A	ACC GUIDE		
801	LY35733-007C	PACKING CASE	PRODUCTION	
802	LY21629-001B	CUSHION		
803	LY30023-044B	POLY BAG		
804	-----	LABEL	JPN	
811	QAM0510-001	AV CABLE		
813	QAM0719-001	USB CABLE		
△ 816	LY21104-001F	AC ADAPTER	AP-V14E	A
△ 816	LY21343-001B	AC ADAPTER	AP-V17E	B,C
△ 818	QMPP210-190-JR	POWER CORD	BS PLUG	A
819	LY21524-002C-ML	REMOTE CTL UNIT	JPN	
△ 820	LY35455-002A	BATTERY PACK	BN-VF815U	
821	LY21397-002A	SHOULDER STRAP		
825	QAM0999-001	D CABLE	D-RCA	
852	-----	WARRANTY CARD	BT-54032-1	

IC8503	NJM2872BF05-X	IC		
IC8801	TSB41AB1ZQE-X	IC		
Q101	DTC144EE-X	DIGI TRANSISTOR		
Q101	or UN9213J-X	DIGI TRANSISTOR		
Q101	or RT1N441U-X	TRANSISTOR		
Q101	or BCR148T-X	DIGI TRANSISTOR		
Q1001	2SC4617/QR/-X	TRANSISTOR		
Q1001	or BC847BT-X	TRANSISTOR		
Q1001	or 2SD2216J/RS/-X	TRANSISTOR		
Q1001	or 2SC5383/E/-X	TRANSISTOR		
Q1002	2SC4617/QR/-X	TRANSISTOR		
Q1002	or BC847BT-X	TRANSISTOR		
Q1002	or 2SD2216J/RS/-X	TRANSISTOR		
Q1002	or 2SC5383/E/-X	TRANSISTOR		
Q1005	DTC124EE-X	DIGI TRANSISTOR		
Q1005	or UN9212J-X	DIGI TRANSISTOR		
Q1005	or RT1N241U-X	DIGI TRANSISTOR		
Q1005	or BCR141T-X	DIGI TRANSISTOR		
Q1007	DTC143XE-X	DIGI TRANSISTOR		
Q1007	or UN921FJ-X	DIGI TRANSISTOR		
Q1007	or RT1N432U-X	DIGI TRANSISTOR		
Q3001	3LN01SS-X	MOS FET		
Q3601	UMT1N-W	PAIR TRANSISTOR		
Q3601	or PUMT1-W	PAIR TRANSISTOR		
Q3601	or XP4401-W	TRANSISTOR		
Q3601	or RT3AMMM/EF/-X	PAIR TRANSISTOR		
Q3601	or BC856S-X	PAIR TRANSISTOR		
Q3602	2SD2703-X	TRANSISTOR		
Q3603	RTF020P02-X	MOS FET		
Q3604	3LN01SS-X	MOS FET		
Q3651	XP4312-W	DIGI TRANSISTOR		
Q3651	or UMD2N-W	DIGI TRANSISTOR		
Q3652	XP4312-W	DIGI TRANSISTOR		
Q3652	or UMD2N-W	DIGI TRANSISTOR		
Q3653	UMZ1N-W	PAIR TRANSISTOR		
Q3653	or PUMZ1-W	PAIR TRANSISTOR		
Q3653	or XP4601-W	TRANSISTOR		
Q3701	UMZ1N-W	PAIR TRANSISTOR		
Q3701	or PUMZ1-W	PAIR TRANSISTOR		
Q3701	or XP4601-W	TRANSISTOR		
Q4003	UMT1N-W	PAIR TRANSISTOR		
Q4003	or PUMT1-W	PAIR TRANSISTOR		
Q4003	or XP4401-W	TRANSISTOR		
Q4003	or RT3AMMM/EF/-X	PAIR TRANSISTOR		
Q4003	or BC856S-X	PAIR TRANSISTOR		
Q4004	UMT1N-W	PAIR TRANSISTOR		
Q4004	or PUMT1-W	PAIR TRANSISTOR		
Q4004	or XP4401-W	TRANSISTOR		
Q4004	or RT3AMMM/EF/-X	PAIR TRANSISTOR		
Q4004	or BC856S-X	PAIR TRANSISTOR		
Q7201	2SA1774/QR/-X	TRANSISTOR		
Q7201	or 2SB1462J/QR/-X	TRANSISTOR		
Q7201	or BC857BT-X	TRANSISTOR		
Q7201	or 2SA1989/QR/-X	TRANSISTOR		
Q7202	DTC143XE-X	DIGI TRANSISTOR		
Q7202	or UN921FJ-X	DIGI TRANSISTOR		
Q7202	or RT1N432U-X	DIGI TRANSISTOR		
Q7203	PUMT1-W	PAIR TRANSISTOR		
Q7203	or BC856S-X	PAIR TRANSISTOR		
Q7203	or XP4401-W	TRANSISTOR		
Q7203	or UMT1N-W	PAIR TRANSISTOR		
Q7203	or RT3AMMM/EF/-X	PAIR TRANSISTOR		
Q7204	DTC143XE-X	DIGI TRANSISTOR		
Q7204	or UN921FJ-X	DIGI TRANSISTOR		
Q7204	or RT1N432U-X	DIGI TRANSISTOR		
Q8301	XP4312-W	DIGI TRANSISTOR		
Q8301	or UMD2N-W	DIGI TRANSISTOR		
Q8302	2SC5585-E-X	TRANSISTOR		
Q8501	3LN01SS-X	MOS FET		
Q8502	3LN01SS-X	MOS FET		
D131	MA8068-X	Z DIODE		
D131	or UDW6.8B-X	Z DIODE		
△ D161	RB715W-X	SB DIODE		
D1001	MA133-X	SI DIODE		
C111	NCB11AK-106X	C CAPACITOR		10uF 10V K

### DIGITAL BOARD ASSEMBLY <01>

△ Symbol No.	Part No.	Part Name	Description	Local
PW1	LYA10097-02F	DIGITAL BOARD ASSY		0 1
IC121	NAL0052-001X	SHOCK SENSOR		
IC161	NJU7108F3-X	IC		
IC1001	MN103S97NDB	IC(MICRO C ROM)	MASK	
IC1001	or MN103SF66RDBB	IC(MICRO C ROM)	FLASH	
IC1004	NJU7108F3-X	IC		
IC1005	AK6512CAM-X	IC		
IC1006	R2033T-F-X	IC		
IC1007	S-80823CNNB-G-W	IC		
IC1009	YCBCJVSNS8031-X	IC(MICRO C ROM)		
IC3001	JCY0213	IC		
IC3002	39VF6474IB1KH13	IC(MICRO C ROM)	MP FLASH	
IC3101	EDD51321BBH-7ET	IC		
IC3102	EDD51321BBH-7ET	IC		
IC3601	UPD68867K9-Y02	IC		
IC3701	LA73076V-X	IC		
IC4001	JCY0230	IC		
IC4501	JCY0232	IC		
IC4502	AK8134-X	IC		
IC7201	LV4159T-X	IC	LCD	
IC8301	JCY0225	IC		
IC8302	BD2055AFJ-X	IC		
IC8302	or TPS2055AD-X	IC		
IC8501	SI9030CTU	IC		
IC8502	S-1112B33MC-W	IC		















MODEL	MARK
GZ-HD7EK	A
GZ-HD7EX	B
GZ-HD7EY	C

△ Symbol No.	Part No.	Part Name	Description	Local	△ Symbol No.	Part No.	Part Name	Description	Local
R4950	NRSA6AJ-154W	MG RESISTOR	150kΩ 1/16W J		C5511	NCB31HK-222X	C CAPACITOR	2200pF 50V K	
R4951	NRSA6AJ-154W	MG RESISTOR	150kΩ 1/16W J		C5512	NCB21CK-105X	C CAPACITOR	1uF 16V K	
R4953	NRSA6AJ-471W	MG RESISTOR	470Ω 1/16W J		C5514	NCB31EK-104X	C CAPACITOR	0.1uF 25V K	
R4954	NRSA6AJ-0R0W	MG RESISTOR	0Ω 1/16W J		C5515	NBZ0018-106X	TA E CAPACITOR	10uF 20V M	
R4955	NRSA6AJ-0R0W	MG RESISTOR	0Ω 1/16W J		C5516	NCB31EK-104X	C CAPACITOR	0.1uF 25V K	
R4959	NRSA63J-0R0X	MG RESISTOR	0Ω 1/16W J		C5517	NCB31HK-222X	C CAPACITOR	2200pF 50V K	
R4961	NRSA6AJ-103W	MG RESISTOR	10kΩ 1/16W J		C5518	NCB21CK-105X	C CAPACITOR	1uF 16V K	
R4962	NRSA6AJ-103W	MG RESISTOR	10kΩ 1/16W J		R5501	NRSA63J-332X	MG RESISTOR	3.3kΩ 1/16W J	
R4963	NRSA6AJ-0R0W	MG RESISTOR	0Ω 1/16W J		R5504	NRSA63J-103X	MG RESISTOR	10kΩ 1/16W J	
R4965	NRSA6AJ-0R0W	MG RESISTOR	0Ω 1/16W J		R5505	NRSA63J-123X	MG RESISTOR	12kΩ 1/16W J	
R4966	NRSA6AJ-0R0W	MG RESISTOR	0Ω 1/16W J		R5506	NRSA63J-332X	MG RESISTOR	3.3kΩ 1/16W J	
R4967	NRSA6AJ-0R0W	MG RESISTOR	0Ω 1/16W J		R5508	NRSA63J-332X	MG RESISTOR	3.3kΩ 1/16W J	
R4987	NRSA6AJ-121W	MG RESISTOR	120Ω 1/16W J		R5511	NRSA63J-103X	MG RESISTOR	10kΩ 1/16W J	
R4988	NRSA6AJ-121W	MG RESISTOR	120Ω 1/16W J		R5512	NRSA63J-123X	MG RESISTOR	12kΩ 1/16W J	
R4989	NRSA6AJ-0R0W	MG RESISTOR	0Ω 1/16W J		R5513	NRSA63J-332X	MG RESISTOR	3.3kΩ 1/16W J	
R7001	NRSA6AD-103W	MG RESISTOR	10kΩ 1/16W D		R5515	NRSA63J-332X	MG RESISTOR	3.3kΩ 1/16W J	
R7014	NRSA6AJ-103W	MG RESISTOR	10kΩ 1/16W J		R5518	NRSA63J-103X	MG RESISTOR	10kΩ 1/16W J	
R7015	NRSA6AJ-472W	MG RESISTOR	4.7kΩ 1/16W J		R5519	NRSA63J-123X	MG RESISTOR	12kΩ 1/16W J	
R7016	NRSA6AD-271W	MG RESISTOR	270Ω 1/16W D		R5520	NRSA63J-332X	MG RESISTOR	3.3kΩ 1/16W J	
R7017	NRSA6AD-332W	MG RESISTOR	3.3kΩ 1/16W D		CN5501	QGB0507L1-50X	CONNECTOR	TO CDS TG B-B (1-50)	
R7018	NRSA63D-100X	MG RESISTOR	10Ω 1/16W D		BT1	LY35871-001A	BUSTERAID(A)	BUSTER CCD(x2)	
L201	NQR0251-004X	FERRITE BEADS			OT1	LY30034-007A	SPACER(A)	(x3)	
L202	NQR0251-004X	FERRITE BEADS							
L206	NQR0599-003X	FERRITE BEADS							
L2401	NQLC32M-100X	COIL	10uH M						
L2402	NQLC32M-100X	COIL	10uH M						
L2601	NQR0269-013X	FERRITE BEADS							
L2602	NQR0269-013X	FERRITE BEADS							
L2603	NQR0269-013X	FERRITE BEADS							
L2651	NQR0269-013X	FERRITE BEADS							
L2652	NQR0269-013X	FERRITE BEADS							
L2653	NQR0269-013X	FERRITE BEADS							
L4902	NQL38DK-100X	P COIL	10uH K						
L4903	NQL38DK-100X	P COIL	10uH K						
L7001	NQL382M-470X	COIL	47uH M						
L7002	NQL382M-100X	COIL	10uH M						
L7003	NQL382M-100X	COIL	10uH M						
L7004	NQL382M-100X	COIL	10uH M						

**CDS BOARD ASSEMBLY <04>**

△ Symbol No.	Part No.	Part Name	Description	Local
PW1	LYA10100-02B	CDS BOARD ASSY		0 4
IC4101	AD9979BCPZ-W	IC		
IC4102	AD9979BCPZ-W	IC		
IC4103	AD9979BCPZ-W	IC		
IC4104	R1160N181B-X	IC		
IC5001	LY35611-001A	CSP IC ASSY	SERVICE	
D5001	1SS355-X	SI DIODE		
D5001	or 1SS355W-X	DIODE		
D5001	or MA111-X	SI DIODE		
D5002	1SS355-X	SI DIODE		
D5002	or 1SS355W-X	DIODE		
D5002	or MA111-X	SI DIODE		
D5003	1SS355-X	SI DIODE		
D5003	or 1SS355W-X	DIODE		
D5003	or MA111-X	SI DIODE		
C4101	NCB20JK-475X	C CAPACITOR	4.7uF 6.3V K	
C4102	NCB20JK-475X	C CAPACITOR	4.7uF 6.3V K	
C4103	NCB20JK-475X	C CAPACITOR	4.7uF 6.3V K	
C4104	NCB20JK-475X	C CAPACITOR	4.7uF 6.3V K	
C4105	NCB20JK-475X	C CAPACITOR	4.7uF 6.3V K	
C4106	NCB20JK-475X	C CAPACITOR	4.7uF 6.3V K	
C4107	NCB20JK-475X	C CAPACITOR	4.7uF 6.3V K	
C4108	NCB20JK-475X	C CAPACITOR	4.7uF 6.3V K	
C4111	NCB31EK-104X	C CAPACITOR	0.1uF 25V K	
C4112	NCBA1AK-104W	C CAPACITOR	0.1uF 10V K	
C4113	NCBA1AK-104W	C CAPACITOR	0.1uF 10V K	
C4114	NCBA1AK-104W	C CAPACITOR	0.1uF 10V K	
C4115	NCBA1AK-104W	C CAPACITOR	0.1uF 10V K	
C4116	NCBA1AK-104W	C CAPACITOR	0.1uF 10V K	
C4117	NCBA1AK-104W	C CAPACITOR	0.1uF 10V K	
C4118	NCBA1AK-104W	C CAPACITOR	0.1uF 10V K	
C4119	NCBA1AK-104W	C CAPACITOR	0.1uF 10V K	
C4121	NCB31EK-104X	C CAPACITOR	0.1uF 25V K	
C4122	NCBA1AK-104W	C CAPACITOR	0.1uF 10V K	
C4123	NCBA1AK-104W	C CAPACITOR	0.1uF 10V K	
C4124	NCBA1AK-104W	C CAPACITOR	0.1uF 10V K	
C4125	NCBA1AK-104W	C CAPACITOR	0.1uF 10V K	
C4126	NCBA1AK-104W	C CAPACITOR	0.1uF 10V K	
C4127	NCBA1AK-104W	C CAPACITOR	0.1uF 10V K	
C4128	NCBA1AK-104W	C CAPACITOR	0.1uF 10V K	
C4129	NCBA1AK-104W	C CAPACITOR	0.1uF 10V K	
C4131	NCB31EK-104X	C CAPACITOR	0.1uF 25V K	
C4132	NCBA1AK-104W	C CAPACITOR	0.1uF 10V K	
C4133	NCBA1AK-104W	C CAPACITOR	0.1uF 10V K	

**CCD BOARD ASSEMBLY <03>**

△ Symbol No.	Part No.	Part Name	Description	Local
PW1	LYA10099-01A	CCD BOARD ASSY		0 3
Q5501	2SC4083/NP/-X	TRANSISTOR	CCD OUT B	
Q5502	2SC4082/P/-X	TRANSISTOR	CCD BUFF B	
Q5504	2SC4083/NP/-X	TRANSISTOR	CCD OUT R	
Q5505	2SC4082/P/-X	TRANSISTOR	CCD BUFF R	
Q5507	2SC4083/NP/-X	TRANSISTOR	CCD OUT G	
Q5508	2SC4082/P/-X	TRANSISTOR	CCD BUFF G	
C5502	NCB31EK-104X	C CAPACITOR	0.1uF 25V K	
C5503	NBZ0018-106X	TA E CAPACITOR	10uF 20V M	
C5504	NCB31EK-104X	C CAPACITOR	0.1uF 25V K	
C5505	NCB31HK-222X	C CAPACITOR	2200pF 50V K	
C5506	NCB21CK-105X	C CAPACITOR	1uF 16V K	
C5508	NCB31EK-104X	C CAPACITOR	0.1uF 25V K	
C5509	NBZ0018-106X	TA E CAPACITOR	10uF 20V M	
C5510	NCB31EK-104X	C CAPACITOR	0.1uF 25V K	







MODEL	MARK
GZ-HD7EK	A
GZ-HD7EX	B
GZ-HD7EY	C

Symbol No.	Part No.	Part Name	Description	Local
L6301	NQL52EM-390X	COIL	39uH M	
L6302	NQL52EM-221X	COIL	220uH M	
L6401	NQL52EM-680X	COIL	68uH M	
L6501	NQL52EM-221X	COIL	220uH M	
L6502	NQL38DK-100X	P COIL	10uH K	
L6701	NQL52EM-470X	COIL	47uH M	
L6801	NQL79GM-470X	COIL	47uH M	
BT6001	LY35060-001B	BATT.TERM.UNIT		
CN6001	QGF0534F2-50X	CONNECTOR	TO DIGITAL FFC/FPC (1-50)	
CN6002	QGA1002F1-04X	CONNECTOR	TO DIGITAL W-B (1-4)	
△ F6001	NMFZ007-2R5X-K	FUSE		
△ F6002	NMFZ007-2R5X-K	FUSE		
△ F6301	NMFZ007-1R25X-K	FUSE		
△ F6401	NMFZ007-R50X-K	FUSE		
△ F6501	NMFZ007-R80X-K	FUSE		
WR1	WJJ0804-002A-E	E-SI C WIRE C-C	REG-DIGI	

### OPE BOARD ASSEMBLY <06>

Symbol No.	Part No.	Part Name	Description	Local
PW2	LYA10102-01A2	OPE BOARD ASSY		06
D601	UDZW6.8B-X	Z DIODE		
D601	or MA8068/M-X	Z DIODE		
C601	NCB31EK-103X	C CAPACITOR	0.01uF 25V K	
R601	NRSA63J-332X	MG RESISTOR	3.3kΩ 1/16W J	
R602	NRSA63J-332X	MG RESISTOR	3.3kΩ 1/16W J	
R603	NRSA63J-332X	MG RESISTOR	3.3kΩ 1/16W J	
R604	NRSA63J-682X	MG RESISTOR	6.8kΩ 1/16W J	
R606	NRSA63J-0R0X	MG RESISTOR	0Ω 1/16W J	
R607	NRSA63J-0R0X	MG RESISTOR	0Ω 1/16W J	
△ BT601	QAB0069-001	LITHIUM BATTERY		
CN601	QGF0534F2-38X	CONNECTOR	TO DIGI FFC/FPC (1-38)	
CN602	QGF0534F2-26X	CONNECTOR	TO MONI FFC/FPC (1-26)	
CN603	QGF0543F3-06X	CONNECTOR	TO SW FFC/FPC (1-6)	
CN604	QGA1001F1-02X	CONNECTOR	TO SPK W-B (1-2)	
J601	QND0078-001	S JACK	S	
S601	NSW0301-001X	TACT SWITCH	AT/ML	
S602	NSW0301-001X	TACT SWITCH	BACKLIGHT	
S603	NSW0301-001X	TACT SWITCH	REC/PB	
S604	NSW0301-001X	TACT SWITCH	BACK UP	
S605	NSW0301-001X	TACT SWITCH	INFO	
S606	NSW0301-001X	TACT SWITCH	MENU	
S607	NSW0161-001X	DETECT SWITCH	SUB OPEN	
S608	NSW0161-001X	DETECT SWITCH	LCD OPEN	
WR1	QUQK05-0603AA-E	FFC WIRE	OPE-SW 6pin 3cm	
WR2	QUQK05-3803AA-E	FFC WIRE	OPE-DIGI 38pin 3cm	

### MONITOR BOARD ASSEMBLY <07>

Symbol No.	Part No.	Part Name	Description	Local
PW1	LYA10102-01A1	MONITOR BOARD ASSY		07
IC701	MRSS23E/V-X	IC	MR IC	
D7101	UDZS5.1B-X	Z DIODE		
C7101	NCB31AK-474X	C CAPACITOR	0.47uF 10V K	
R701	NRSA63J-332X	MG RESISTOR	3.3kΩ 1/16W J	
R702	NRSA63J-682X	MG RESISTOR	6.8kΩ 1/16W J	
R703	NRSA63J-223X	MG RESISTOR	22kΩ 1/16W J	
R704	NRSA63J-682X	MG RESISTOR	6.8kΩ 1/16W J	
R705	NRSA63J-223X	MG RESISTOR	22kΩ 1/16W J	
R7101	NRSA63J-0R0X	MG RESISTOR	0Ω 1/16W J	
R7102	NRSA63J-0R0X	MG RESISTOR	0Ω 1/16W J	
R7103	NRSA63J-101X	MG RESISTOR	100Ω 1/16W J	

Symbol No.	Part No.	Part Name	Description	Local
R7104	NRSA63J-101X	MG RESISTOR	100Ω 1/16W J	
R7105	NRSA63J-223X	MG RESISTOR	22kΩ 1/16W J	
CN701	QGF0534F2-20X	CONNECTOR	TO LCDMOD FFC/FPC (1-20)	
CN702	QGF0534F2-06X	CONNECTOR	TO BL FFC/FPC (1-6)	
CN703	QGF0534F2-26X	CONNECTOR	TO OPEPWB FFC/FPC (1-26)	
S701	NSW0297-002X	TACT SWITCH	CROSS KEY	
S702	NSW0198-001X	TACT SWITCH	FUNCTION	
S703	NSW0198-001X	TACT SWITCH	INDEX	

### VF BOARD ASSEMBLY <08>

Symbol No.	Part No.	Part Name	Description	Local
PW4	LYA10102-01A4	VF BOARD ASSY		08
D7501	UDZS5.1B-X	Z DIODE		
D7501	or UDZW5.1B-X	SB DIODE		
D7501	or MA8051/M-X	Z DIODE		
D7502	NSCW455A/A0ST-X	LED		NICHIA
C7501	NCB30JK-474X	C CAPACITOR	0.47uF 6.3V K	
R7504	NRSA63J-223X	MG RESISTOR	22kΩ 1/16W J	
CN801	QGF0543F3-18X	CONNECTOR	TO LCD FFC/FPC (1-18)	
CN802	QGF0543F3-20X	CONNECTOR	TO ANALOG FFC/FPC (1-20)	
S801	NSW0271-001X	DETECT SWITCH	SUB OPEN	
S802	NSW0271-001X	DETECT SWITCH	OPEN	

### FRONT BOARD ASSEMBLY <09>

Symbol No.	Part No.	Part Name	Description	Local
PW5	LYA10102-01A5	FRONT BOARD ASSY		09
D901	SML-010LT-X	LED		TALLY
R901	NRSA63J-332X	MG RESISTOR	3.3kΩ 1/16W J	
CN901	QGF0534F2-08X	CONNECTOR	TO DIGI FFC/FPC (1-8)	
CN902	QGF0534F2-06X	CONNECTOR	TO FCRING FFC/FPC (1-6)	
S901	NSW0301-001X	TACT SWITCH	F ASSIST	
S902	NSW0300-001X	PUSH SWITCH	FC RING	
OT1	LY30035-080D	SPACER(A)		
WR1	QUQK05-0803AA-E	FFC WIRE	FRONT-DIGI 8pin 3cm	

### SW BOARD ASSEMBLY <10>

Symbol No.	Part No.	Part Name	Description	Local
PW3	LYA10102-01A3	SW BOARD ASSY		10
R608	NRSA63J-223X	MG RESISTOR	22kΩ 1/16W J	
R609	NRSA63J-682X	MG RESISTOR	6.8kΩ 1/16W J	
R610	NRSA63J-223X	MG RESISTOR	22kΩ 1/16W J	
CN606	QGF0549C2-06W	CONNECTOR	TO OPEPWB FFC/FPC (1-6)	
S609	NSW0299-001X	LEVER SWITCH	HANEPON	
S610	NSW0300-001X	PUSH SWITCH	IRIS	
S611	NSW0300-001X	PUSH SWITCH	EXPOSURE	
S612	NSW0300-001X	PUSH SWITCH	S.SP	