

PARTS LIST

SAFETY PRECAUTION

Parts identified by the \triangle symbol are critical for safety. Replace only with specified part numbers.

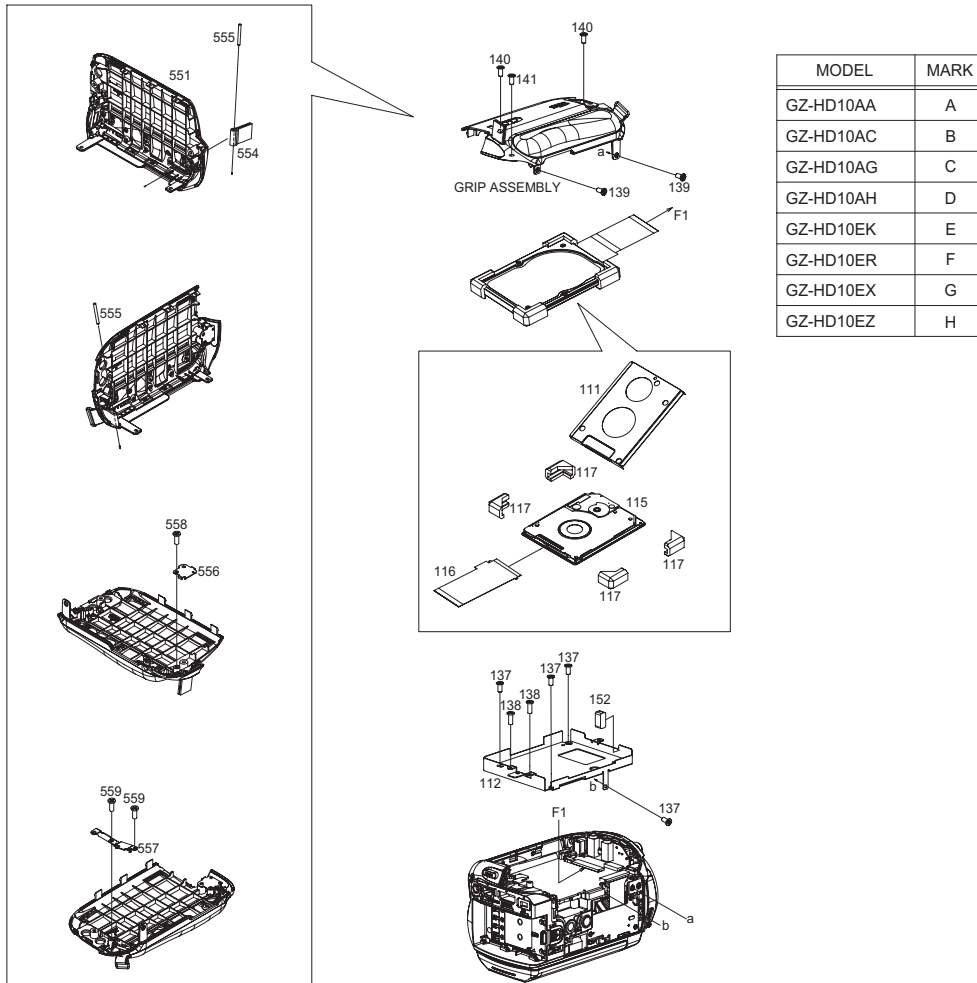
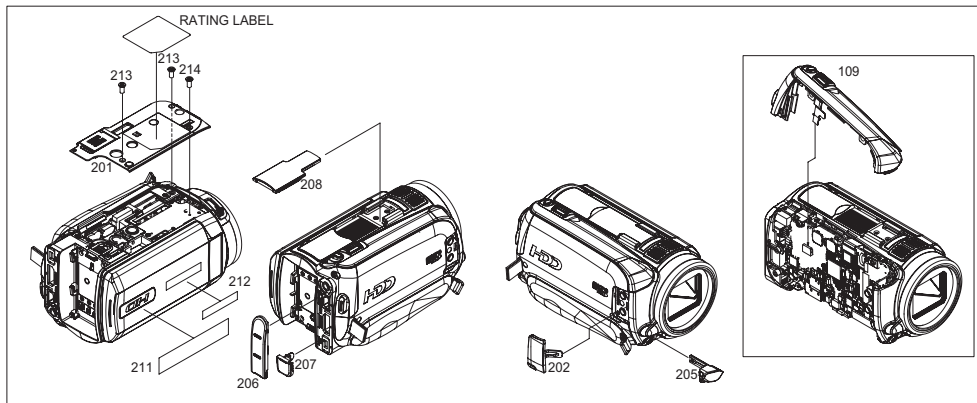
BEWARE OF BOGUS PARTS

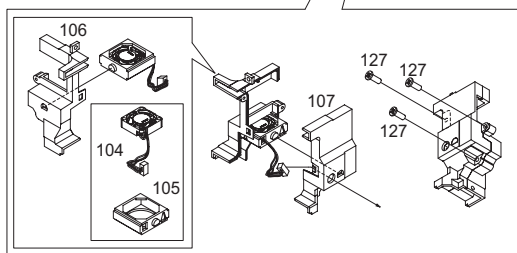
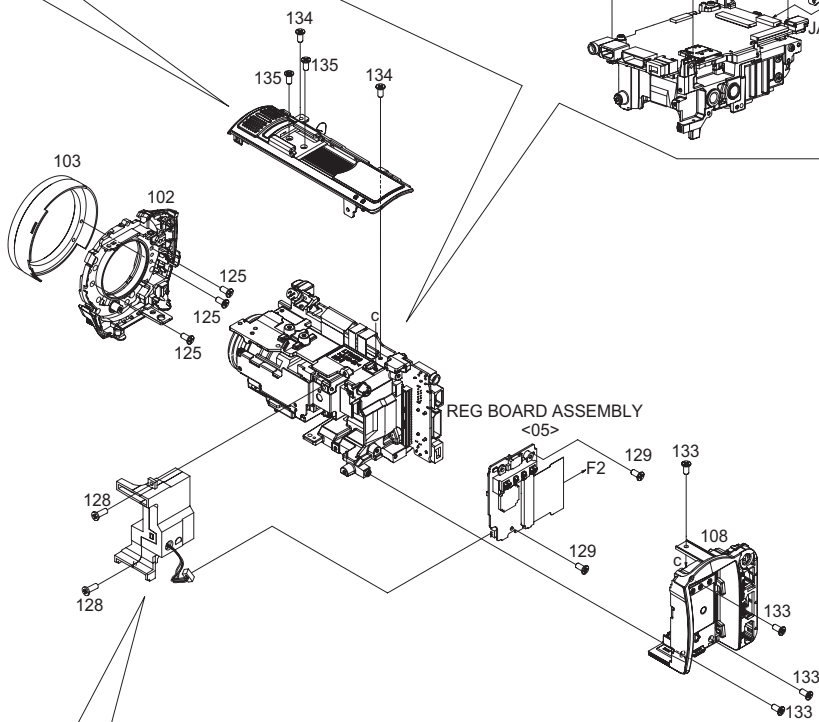
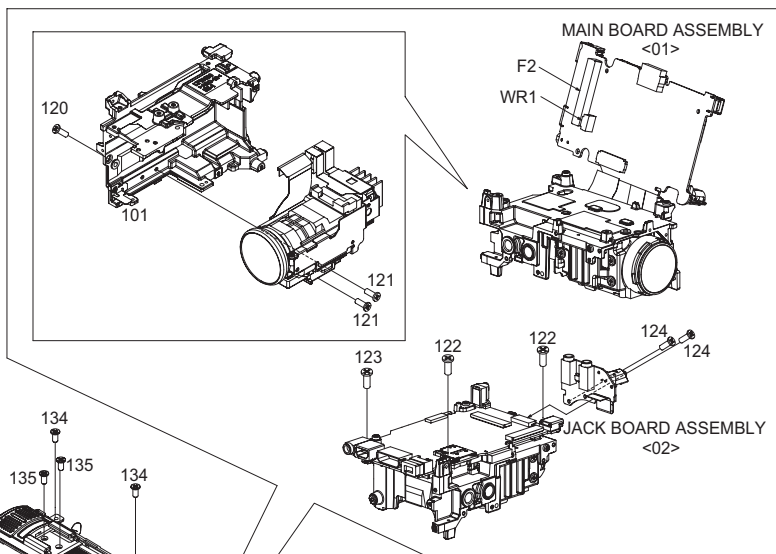
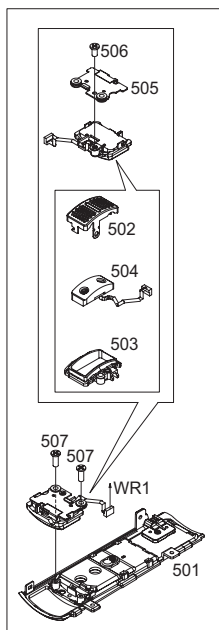
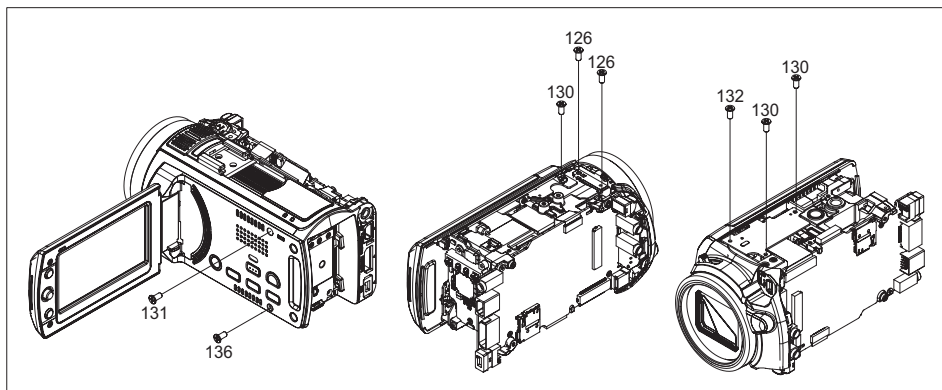
Parts that do not meet specifications may cause trouble in regard to safety and performance. We recommend that genuine JVC parts be used.

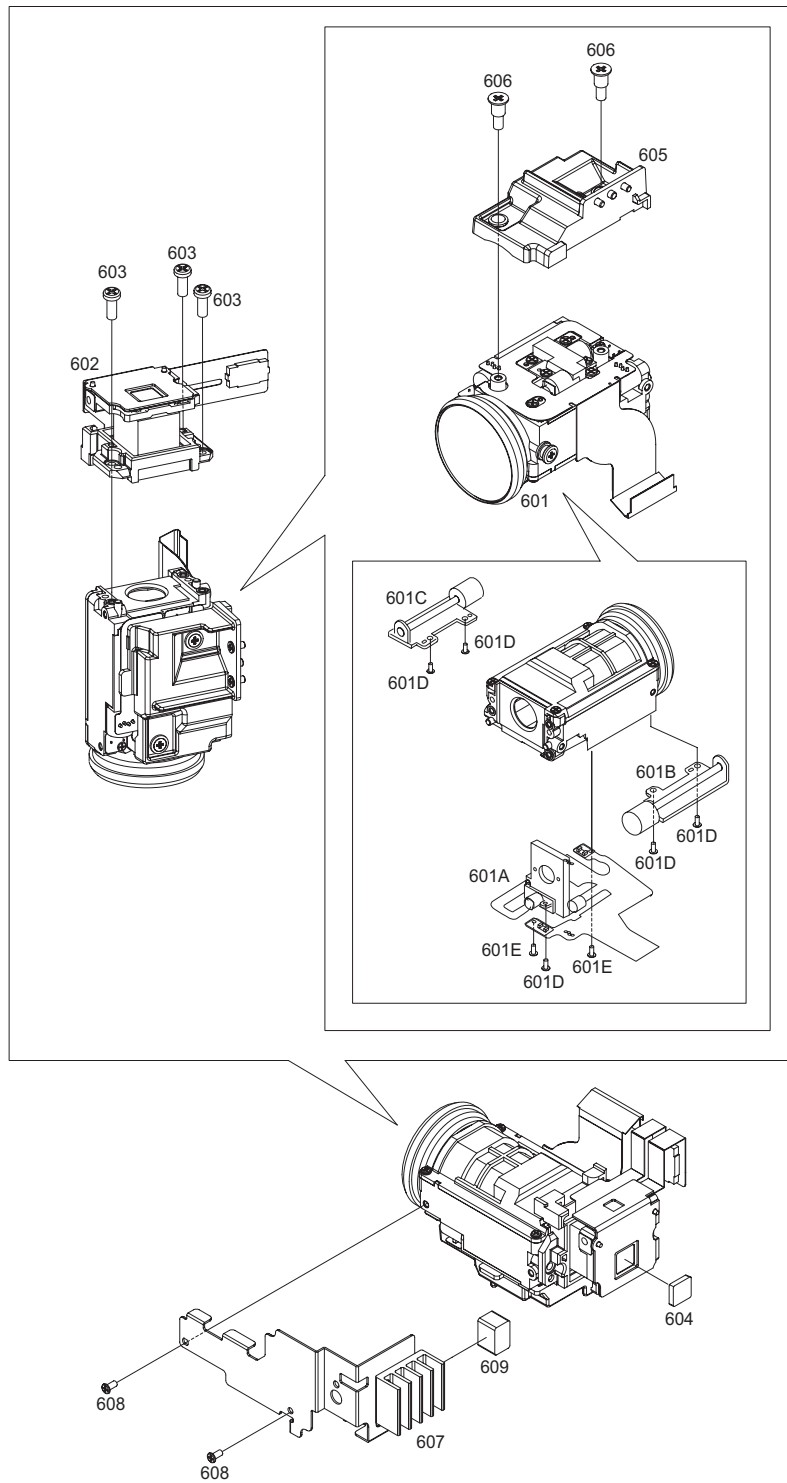
1. EXPLODED VIEW

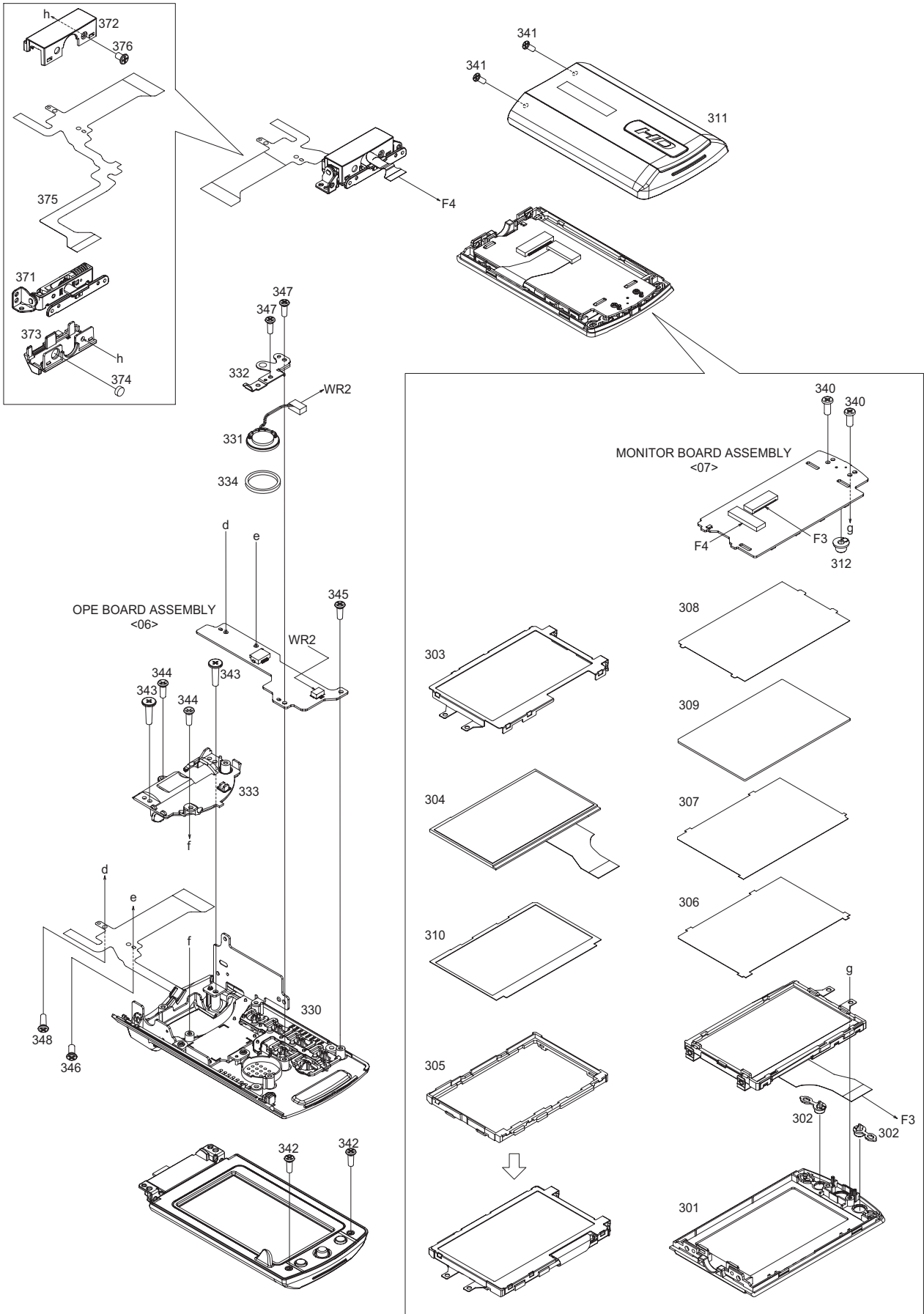
1.1 FINAL ASSEMBLY <M1>

The instruction manual to be provided with this product will differ according to the destination.

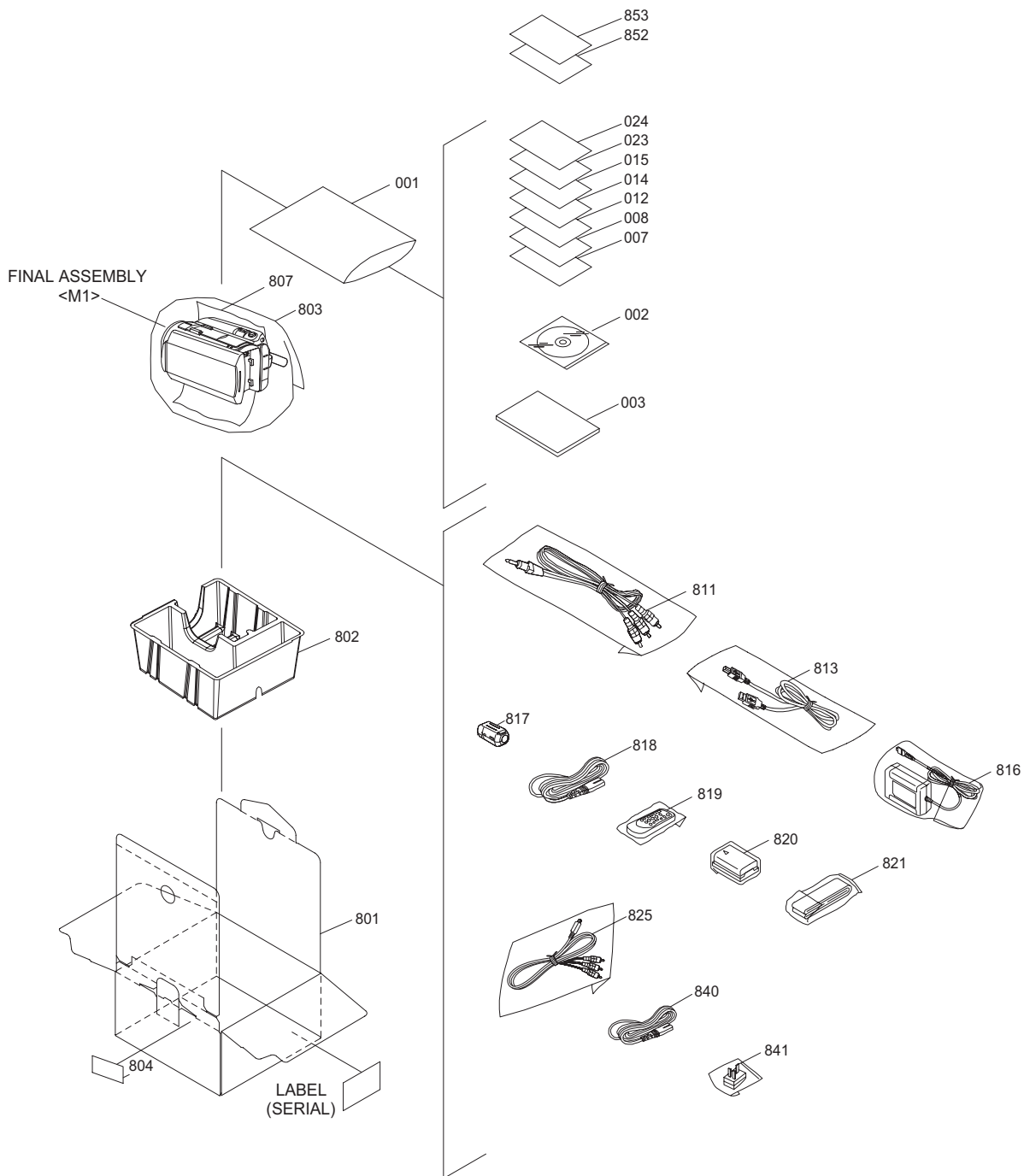








1.2 PACKING AND ACCESSORY ASSEMBLY <M5>



MODEL	MARK	MODEL	MARK	MODEL	MARK
GZ-HD10AA	A	GZ-HD10AH	D	GZ-HD10EX	G
GZ-HD10AC	B	GZ-HD10EK	E	GZ-HD10EZ	H
GZ-HD10AG	C	GZ-HD10ER	F		

△ Symbol No.	Part No.	Part Name	Description	Local
	813	QAM0719-001	USB CABLE	
△	816	LY21104-001F	AC ADAPTER	AP-V14E A,C,D,E
△	816	LY21104-003F	AC ADAPTER	AP-V14AC B
△	816	LY21343-001B	AC ADAPTER	AP-V17E F,G,H
	817	QQR0491-004	CORE FILTER	DC 2T
△	818	QMPH040-190-JR	POWER CORD	AS/NZS 1.9m BLACK A
△	818	QMP410-190-JR	POWER CORD	CCC 1.9m BLACK B
△	818	QMPL270-190-JR	POWER CORD	CEE 1.9m BLACK C
△	818	QMPP210-190-JR	POWER CORD	BS PLUG 1.9m BLACK E
	819	LY21524-002C	REMOTE CTL UNIT	RM-V750US
△	820	LY35320-002C	BATTERY PACK	BN-VF808U
	821	LY21397-002A	SHOULDER STRAP	
	825	QAM0999-001	D CABLE	D-RCA
△	840	QMPL270-190-JR	POWER CORD	CEE 1.9m BLACK D
△	841	QAM0001-001	CONVERSION PLUG	FIX AC CO. D
	852	-----	WARRANTY CARD	BT-54036-1 E,F,G,H
	853	-----	WARRANTY CARD	BT-59029-1 B

MAIN BOARD ASSEMBLY <01>

△ Symbol No.	Part No.	Part Name	Description	Local
	PW1	LYA10146-03E	MAIN BOARD ASSY	A,B,C,D
	PW1	LYA10146-02E	MAIN BOARD ASSY	E,F,G,H
	IC72	NAL0068-001X	SHOCK SENSOR	
	IC191	R1154N033B-X	IC	
	IC192	S-1112B28MC-W	IC	
	IC1001	MN103SD0QFN	IC(MICRO C ROM)	MASK
	IC1001	or MN103SFD0RFN	IC(MICRO C ROM)	MP FLASH
	IC1002	NJU7108F3-X	IC	
	IC1005	AK6514CAM-X	IC	
	IC1006	R2033T-F-X	IC	
	IC1007	IC-PST8223U-W	IC	
	IC1007	or S-80823CNNB-G-W	IC	
	IC1008	KSM-2003SN2E	IR DETECT UNIT	
	IC1009	YCBCJVSNS8031-X	IC(MICRO C ROM)	
	IC1009	or R5G05001N302N-X	IC(MICRO C ROM)	
	IC2201	AK4666VQ	IC	
	IC3001	JCY0237	IC	
	IC3002	S-1112B31MC-W	IC	
	IC3005	TPS2055AD-X	IC	
	IC3005	or BD2055AFJ-X	IC	
	IC3102	H5MS1G22MFP-J3M	IC	
	IC3201	39VF64741B1KK40	IC(MICRO C ROM)	AP/MP
	IC4001	JCY0240	IC	
	IC4002	AK8134B-X	IC	
	IC4003	K4M28323PH-HG75	IC	
	IC4501	LY36351-001A	CSP IC ASSY	SERVICE
	IC4851	NJM2143R-X	IC	
	IC4852	NJM2143R-X	IC	
	IC4853	NJM2143R-X	IC	
	IC4854	NJM2143R-X	IC	
	IC4855	NJM3414AV-X	IC	
	IC4901	AN41904A-X	IC	
	IC4903	S-1112B29MC-W	IC	
	IC5801	NJU7008F3-X	IC	
	IC5802	TC7S66FU-X	IC(DIGITAL)	
	IC5852	NAL0038-002X	GYRO SENSOR	
	IC8501	MN864706-X	IC	
	IC8502	S-1112B31MC-W	IC	
	IC8503	NJM2872BF05-X	IC	
	IC8505	MM3141CN-X	IC	
	Q161	UMZ1N-W	PAIR TRANSISTOR	LED LIGHT
	Q161	or XP4601-W	TRANSISTOR	
	Q162	DTC143XE-X	DIGI TRANSISTOR	LED LIGHT
	Q162	or UN921FJ-X	DIGI TRANSISTOR	
	Q162	or RT1N432U-X	DIGI TRANSISTOR	
	Q182	2SC4617/QR/S-X	TRANSISTOR	
	Q182	or 2SC5383/E/-X	TRANSISTOR	
	Q1002	DTC143XE-X	DIGI TRANSISTOR	
	Q1002	or UN921FJ-X	DIGI TRANSISTOR	
	Q1002	or RT1N432U-X	DIGI TRANSISTOR	
	Q1002	or SRC1219EF-X	DIGI TRANSISTOR	
	Q1002	or KRC419E-X	DIGI TRANSISTOR	

△ Symbol No.	Part No.	Part Name	Description	Local
	Q1007	DTC143XE-X	DIGI TRANSISTOR	
	Q1007	or UN921FJ-X	DIGI TRANSISTOR	
	Q1007	or RT1N432U-X	DIGI TRANSISTOR	
	Q1007	or SRC1219EF-X	DIGI TRANSISTOR	
	Q1007	or KRC419E-X	DIGI TRANSISTOR	
	Q2401	2SC4617/RS/-X	TRANSISTOR	
	Q2401	or 2SC5383/E/-X	TRANSISTOR	
	Q2403	2SC4617/RS/-X	TRANSISTOR	
	Q2403	or 2SC5383/E/-X	TRANSISTOR	
	Q2701	UMX18N-W	PAIR TRANSISTOR	
	Q2702	DTA114EE-X	DIGI TRANSISTOR	
	Q2702	or RT1P141U-X	DIGI TRANSISTOR	
	Q2702	or UN9111J-X	DIGI TRANSISTOR	
	Q2702	or SRA2202EF-X	DIGI TRANSISTOR	
	Q3001	3LN01SS-X	MOS FET	
	Q3002	XP4312-W	DIGI TRANSISTOR	
	Q4504	UMT1N-W	PAIR TRANSISTOR	
	Q4504	or XP4401-W	TRANSISTOR	
	Q4851	2SC4617/RS/-X	TRANSISTOR	
	Q4851	or BC847BT-X	TRANSISTOR	
	Q4851	or 2SD2216J/RS/-X	TRANSISTOR	
	Q4851	or 2SC5383/E/-X	TRANSISTOR	
	Q4901	ST305R4NV	PHOTO TRANSISTOR	
	Q4902	2SC4617/RS/-X	TRANSISTOR	
	Q4902	or BC847BT-X	TRANSISTOR	
	Q4902	or 2SD2216J/RS/-X	TRANSISTOR	
	Q4902	or 2SC5383/E/-X	TRANSISTOR	
	Q7802	UMX1N-W	PAIR TRANSISTOR	
	Q7802	or KTC801U/G/-X	PAIR TRANSISTOR	
	Q7802	or RT3CLLM/EF/-X	TRANSISTOR	
	Q7802	or XP4501-W	TRANSISTOR	
	Q7802	or PUMX1-W	PAIR TRANSISTOR	
	Q7803	UMX1N-W	PAIR TRANSISTOR	
	Q7803	or KTC801U/G/-X	PAIR TRANSISTOR	
	Q7803	or RT3CLLM/EF/-X	TRANSISTOR	
	Q7803	or XP4501-W	TRANSISTOR	
	Q7803	or PUMX1-W	PAIR TRANSISTOR	
	Q7804	UMX1N-W	PAIR TRANSISTOR	
	Q7804	or KTC801U/G/-X	PAIR TRANSISTOR	
	Q7804	or RT3CLLM/EF/-X	TRANSISTOR	
	Q7804	or XP4501-W	TRANSISTOR	
	Q7804	or PUMX1-W	PAIR TRANSISTOR	
△	D191	RB706D-40-X	SB DIODE	
	D193	MA2SD31-X	SB DIODE	
	D194	MA2SD31-X	SB DIODE	
	D195	MA111-X	SI DIODE	
	D201	UDZS6.8B-X	Z DIODE	
	D201	or MA8068/M/-X	Z DIODE	
	C1	NCB20JK-475X	C CAPACITOR	4.7uF 6.3V K
	C2	NCB20JK-475X	C CAPACITOR	4.7uF 6.3V K
	C3	NCB20JK-475X	C CAPACITOR	4.7uF 6.3V K
	C4	NCB20JK-475X	C CAPACITOR	4.7uF 6.3V K
	C72	NCBA1AK-104W	C CAPACITOR	0.1uF 10V K
	C101	NCB31EK-104X	C CAPACITOR	0.1uF 25V K
	C106	NCB11AK-106X	C CAPACITOR	10uF 10V K
	C141	NCB20JK-475X	C CAPACITOR	4.7uF 6.3V K
	C191	NCB31CK-105X	C CAPACITOR	1uF 16V K
	C192	NCB31AK-105X	C CAPACITOR	1uF 10V K
	C193	NCB21CK-105X	C CAPACITOR	1uF 16V K
	C194	NCB21CK-105X	C CAPACITOR	1uF 16V K
	C201	NCBA1HK-102W	C CAPACITOR	1000pF 50V K
	C202	NCBA1HK-102W	C CAPACITOR	1000pF 50V K
	C501	NCBA1CK-104W	C CAPACITOR	0.1uF 16V K
	C502	NCBA1CK-104W	C CAPACITOR	0.1uF 16V K
	C1006	NCBA1AK-104W	C CAPACITOR	0.1uF 10V K
	C1007	NCBA1AK-104W	C CAPACITOR	0.1uF 10V K
	C1009	NCBA1AK-104W	C CAPACITOR	0.1uF 10V K
	C1011	NCBA1CK-103W	C CAPACITOR	0.01uF 16V K
	C1014	NCB20JK-106X	C CAPACITOR	10uF 6.3V K
	C1015	NCBA1AK-104W	C CAPACITOR	0.1uF 10V K
	C1016	NCB30JK-105X	C CAPACITOR	1uF 6.3V K
	C1022	NCBA1CK-103W	C CAPACITOR	0.01uF 16V K
	C1027	NCBA1CK-103W	C CAPACITOR	0.01uF 16V K
	C1030	NCBA1AK-104W	C CAPACITOR	0.1uF 10V K
	C1031	NCBA1CK-103W	C CAPACITOR	0.01uF 16V K
	C1032	NCBA1AK-104W	C CAPACITOR	0.1uF 10V K

MODEL	MARK	MODEL	MARK	MODEL	MARK
GZ-HD10AA	A	GZ-HD10AH	D	GZ-HD10EX	G
GZ-HD10AC	B	GZ-HD10EK	E	GZ-HD10EZ	H
GZ-HD10AG	C	GZ-HD10ER	F		

Symbol No.	Part No.	Part Name	Description	Local	Symbol No.	Part No.	Part Name	Description	Local
C4858	NCBA1CK-103W	C CAPACITOR	0.01uF 16V K		R163	NRSA6AJ-391W	MG RESISTOR	390Ω 1/16W J	
C4859	NCB30JK-105X	C CAPACITOR	1uF 6.3V K		R164	NRSA6AJ-240W	MG RESISTOR	24Ω 1/16W J	
C4860	NCBA1AK-104W	C CAPACITOR	0.1uF 10V K		△ R191	NRSA6AJ-471W	MG RESISTOR	470Ω 1/16W J	
C4861	NCBA1AK-104W	C CAPACITOR	0.1uF 10V K		△ R192	NRSA6AJ-102W	MG RESISTOR	1kΩ 1/16W J	
C4862	NCBA1AK-823W	C CAPACITOR	0.082uF 10V K		R193	NRSA63J-0R0X	MG RESISTOR	0Ω 1/16W J	
C4863	NCBA1CK-223W	C CAPACITOR	0.022uF 16V K		R194	NRSA63J-0R0X	MG RESISTOR	0Ω 1/16W J	
C4864	NCBA1AK-104W	C CAPACITOR	0.1uF 10V K		R195	NRSA63J-0R0X	MG RESISTOR	0Ω 1/16W J	
C4865	NCB30JK-105X	C CAPACITOR	1uF 6.3V K		R196	NRSA63J-201X	MG RESISTOR	200Ω 1/16W J	
C4866	NCBA1CK-333W	C CAPACITOR	0.033uF 16V K		R197	NRSA63J-201X	MG RESISTOR	200Ω 1/16W J	
C4867	NCBA1AK-104W	C CAPACITOR	0.1uF 10V K		R198	NRSA6AJ-104W	MG RESISTOR	100kΩ 1/16W J	
C4902	NCB20JK-106X	C CAPACITOR	10uF 6.3V K		R199	NRSA6AJ-222W	MG RESISTOR	2.2kΩ 1/16W J	
C4903	NCB20JK-106X	C CAPACITOR	10uF 6.3V K		R201	NRSA6AJ-101W	MG RESISTOR	100Ω 1/16W J	
C4905	NCBA1AK-104W	C CAPACITOR	0.1uF 10V K		R202	NRSA6AJ-101W	MG RESISTOR	100Ω 1/16W J	
C4907	NCBA1AK-104W	C CAPACITOR	0.1uF 10V K		R203	NRSA6AD-750W	MG RESISTOR	75Ω 1/16W D	
C4908	NCBA1AK-104W	C CAPACITOR	0.1uF 10V K		R204	NRSA6AD-750W	MG RESISTOR	75Ω 1/16W D	
C4909	NCBA1CK-103W	C CAPACITOR	0.01uF 16V K		R205	NRSA6AD-750W	MG RESISTOR	75Ω 1/16W D	
C4911	NDCA1HJ-101W	C CAPACITOR	100pF 50V J		R206	NRSA6AD-750W	MG RESISTOR	75Ω 1/16W D	
C4912	NCBA1AK-104W	C CAPACITOR	0.1uF 10V K		R301	NRSA6AJ-0R0W	MG RESISTOR	0Ω 1/16W J	
C4913	NCBA1AK-104W	C CAPACITOR	0.1uF 10V K		R302	NRSA6AJ-0R0W	MG RESISTOR	0Ω 1/16W J	
C4914	NCBA1HK-102W	C CAPACITOR	1000pF 50V K		R401	NRSA6AJ-682W	MG RESISTOR	6.8kΩ 1/16W J	
C4915	NCBA1HK-102W	C CAPACITOR	1000pF 50V K		R1002	NRSA6AJ-271W	MG RESISTOR	270Ω 1/16W J	
C4916	NCBA1AK-104W	C CAPACITOR	0.1uF 10V K		R1004	NRSA6AJ-0R0W	MG RESISTOR	0Ω 1/16W J	
C4917	NCBA1CK-103W	C CAPACITOR	0.01uF 16V K		R1005	NRSA6AJ-102W	MG RESISTOR	1kΩ 1/16W J	
C4918	NCBA1CK-103W	C CAPACITOR	0.01uF 16V K		R1007	NRSA6AJ-104W	MG RESISTOR	100kΩ 1/16W J	
C4921	NCBA1CK-223W	C CAPACITOR	0.022uF 16V K		R1008	NRSA6AJ-153W	MG RESISTOR	15kΩ 1/16W J	
C4922	NCBA1AK-104W	C CAPACITOR	0.1uF 10V K		R1009	NRSA6AJ-153W	MG RESISTOR	15kΩ 1/16W J	
C4932	NCB20JK-106X	C CAPACITOR	10uF 6.3V K		R1010	NRSA6AJ-0R0W	MG RESISTOR	0Ω 1/16W J	
C4935	NCB20JK-106X	C CAPACITOR	10uF 6.3V K		R1012	NRSA6AJ-121W	MG RESISTOR	120Ω 1/16W J	
C4936	NCBA1CK-103W	C CAPACITOR	0.01uF 16V K		R1013	NRSA6AJ-473W	MG RESISTOR	47kΩ 1/16W J	
C4943	NCBA1AK-104W	C CAPACITOR	0.1uF 10V K		R1014	NRSA6AJ-104W	MG RESISTOR	100kΩ 1/16W J	
C5801	NCB20JK-106X	C CAPACITOR	10uF 6.3V K		R1016	NRSA6AJ-104W	MG RESISTOR	100kΩ 1/16W J	
C5806	NCBA1CK-103W	C CAPACITOR	0.01uF 16V K		R1017	NRSA6AJ-393W	MG RESISTOR	39kΩ 1/16W J	
C5807	NCB21AK-225X	C CAPACITOR	2.2uF 10V K		R1019	NRSA6AJ-104W	MG RESISTOR	100kΩ 1/16W J	
C5808	NDCA1HJ-331W	C CAPACITOR	330pF 50V J		R1020	NRSA6AJ-102W	MG RESISTOR	1kΩ 1/16W J	
C5809	NCB21AK-475X	C CAPACITOR	4.7uF 10V K		R1021	NRSA6AJ-223W	MG RESISTOR	22kΩ 1/16W J	
C5810	NDCA1HJ-331W	C CAPACITOR	330pF 50V J		R1022	NRSA6AJ-223W	MG RESISTOR	22kΩ 1/16W J	
C5812	NCBA1AK-104W	C CAPACITOR	0.1uF 10V K		R1025	NRSA6AJ-393W	MG RESISTOR	39kΩ 1/16W J	
C5851	NCB20JK-106X	C CAPACITOR	10uF 6.3V K		R1029	NRSA6AJ-0R0W	MG RESISTOR	0Ω 1/16W J	
C5853	NCBA1AK-104W	C CAPACITOR	0.1uF 10V K		R1030	NRSA6AJ-473W	MG RESISTOR	47kΩ 1/16W J	
C7803	NCB31CK-105X	C CAPACITOR	1uF 16V K		R1031	NRSA6AJ-0R0W	MG RESISTOR	0Ω 1/16W J	
C7804	NCB11CK-475X	C CAPACITOR	4.7uF 16V K		R1032	NRSA6AJ-102W	MG RESISTOR	1kΩ 1/16W J	
C8501	NCBA1AK-104W	C CAPACITOR	0.1uF 10V K		R1033	NRSA6AJ-104W	MG RESISTOR	100kΩ 1/16W J	
C8503	NCB30JK-105X	C CAPACITOR	1uF 6.3V K		R1036	NRSA6AJ-102W	MG RESISTOR	1kΩ 1/16W J	
C8504	NCBA1AK-104W	C CAPACITOR	0.1uF 10V K		R1038	NRSA6AJ-103W	MG RESISTOR	10kΩ 1/16W J	
C8506	NCB30JK-105X	C CAPACITOR	1uF 6.3V K		R1040	NRSA6AJ-273W	MG RESISTOR	27kΩ 1/16W J	
C8507	NCB31EK-104X	C CAPACITOR	0.1uF 25V K		R1042	NRSA6AJ-102W	MG RESISTOR	1kΩ 1/16W J	
C8508	NCBA1AK-104W	C CAPACITOR	0.1uF 10V K		R1044	NRSA6AJ-102W	MG RESISTOR	1kΩ 1/16W J	
C8509	NCB30JK-105X	C CAPACITOR	1uF 6.3V K		R1046	NRSA6AJ-0R0W	MG RESISTOR	0Ω 1/16W J	
C8510	NCB20JK-475X	C CAPACITOR	4.7uF 6.3V K		R1047	NRSA6AJ-101W	MG RESISTOR	100Ω 1/16W J	
C8511	NCBA1AK-104W	C CAPACITOR	0.1uF 10V K		R1048	NRSA6AJ-102W	MG RESISTOR	1kΩ 1/16W J	
C8512	NCBA1AK-104W	C CAPACITOR	0.1uF 10V K		R1049	NRSA6AJ-102W	MG RESISTOR	1kΩ 1/16W J	
C8514	NCBA1AK-104W	C CAPACITOR	0.1uF 10V K		R1051	NRSA6AJ-0R0W	MG RESISTOR	0Ω 1/16W J	
C8515	NCBA1AK-104W	C CAPACITOR	0.1uF 10V K		R1052	NRSA6AJ-103W	MG RESISTOR	10kΩ 1/16W J	
C8516	NCBA1AK-104W	C CAPACITOR	0.1uF 10V K		R1053	NRSA6AJ-104W	MG RESISTOR	100kΩ 1/16W J	
C8517	NCBA1AK-104W	C CAPACITOR	0.1uF 10V K		R1054	NRSA6AJ-104W	MG RESISTOR	100kΩ 1/16W J	
C8518	NCBA1AK-104W	C CAPACITOR	0.1uF 10V K		R1055	NRSA6AJ-104W	MG RESISTOR	100kΩ 1/16W J	
C8519	NCBA1AK-104W	C CAPACITOR	0.1uF 10V K		R1056	NRSA6AJ-102W	MG RESISTOR	1kΩ 1/16W J	
C8520	NCB20JK-475X	C CAPACITOR	4.7uF 6.3V K		R1057	NRSA6AJ-473W	MG RESISTOR	47kΩ 1/16W J	
C8522	NCBA1CK-103W	C CAPACITOR	0.01uF 16V K		R1058	NRSA6AJ-102W	MG RESISTOR	1kΩ 1/16W J	
C8523	NCBA1CK-103W	C CAPACITOR	0.01uF 16V K		R1059	NRSA6AJ-102W	MG RESISTOR	1kΩ 1/16W J	
C8524	NCB20JK-475X	C CAPACITOR	4.7uF 6.3V K		R1060	NRSA6AJ-102W	MG RESISTOR	1kΩ 1/16W J	
C8526	NCB20JK-475X	C CAPACITOR	4.7uF 6.3V K		R1061	NRSA6AJ-102W	MG RESISTOR	1kΩ 1/16W J	
R51	NRSA6AJ-0R0W	MG RESISTOR	0Ω 1/16W J		R1062	NRSA6AJ-473W	MG RESISTOR	47kΩ 1/16W J	
R72	NRSA6AJ-103W	MG RESISTOR	10kΩ 1/16W J		R1063	NRSA6AJ-103W	MG RESISTOR	10kΩ 1/16W J	
R121	NRSA6AJ-0R0W	MG RESISTOR	0Ω 1/16W J		R1066	NRSA6AJ-0R0W	MG RESISTOR	0Ω 1/16W J	
R141	NRSA6AJ-221W	MG RESISTOR	220Ω 1/16W J		R1067	NRSA6AJ-0R0W	MG RESISTOR	0Ω 1/16W J	
R142	NRSA6AJ-563W	MG RESISTOR	56kΩ 1/16W J		R1069	NRSA6AJ-102W	MG RESISTOR	1kΩ 1/16W J	
R143	NRSA6AJ-563W	MG RESISTOR	56kΩ 1/16W J		R1070	NRSA6AJ-823W	MG RESISTOR	82kΩ 1/16W J	
R144	NRSA6AJ-563W	MG RESISTOR	56kΩ 1/16W J		R1071	NRSA6AJ-623W	MG RESISTOR	62kΩ 1/16W J	
R145	NRSA6AJ-563W	MG RESISTOR	56kΩ 1/16W J		R1073	NRSA6AJ-103W	MG RESISTOR	10kΩ 1/16W J	
R146	NRSA6AJ-103W	MG RESISTOR	10kΩ 1/16W J		R1074	NRSA6AJ-104W	MG RESISTOR	100kΩ 1/16W J	
R147	NRSA6AJ-220W	MG RESISTOR	22Ω 1/16W J		R1075	NRSA6AJ-104W	MG RESISTOR	100kΩ 1/16W J	
R148	NRSA6AJ-220W	MG RESISTOR	22Ω 1/16W J		R1076	NRSA6AJ-101W	MG RESISTOR	100Ω 1/16W J	
R149	NRSA6AJ-220W	MG RESISTOR	22Ω 1/16W J		R1077	NRSA6AJ-101W	MG RESISTOR	100Ω 1/16W J	
R150	NRSA6AJ-220W	MG RESISTOR	22Ω 1/16W J		R1078	NRSA6AJ-0R0W	MG RESISTOR	0Ω 1/16W J	
R161	NRSA6AJ-152W	MG RESISTOR	1.5kΩ 1/16W J		R1079	NRSA6AJ-102W	MG RESISTOR	1kΩ 1/16W J	
R162	NRSA6AJ-182W	MG RESISTOR	1.8kΩ 1/16W J		R1080	NRSA6AJ-102W	MG RESISTOR	1kΩ 1/16W J	
					R1082	NRSA6AJ-105W	MG RESISTOR	1MΩ 1/16W J	

MODEL	MARK	MODEL	MARK	MODEL	MARK
GZ-HD10AA	A	GZ-HD10AH	D	GZ-HD10EX	G
GZ-HD10AC	B	GZ-HD10EK	E	GZ-HD10EZ	H
GZ-HD10AG	C	GZ-HD10ER	F		

△ Symbol No.	Part No.	Part Name	Description	Local	△ Symbol No.	Part No.	Part Name	Description	Local
R4853	NRSA6AJ-683W	MG RESISTOR	68kΩ 1/16W J		R7810	NRSA6AJ-682W	MG RESISTOR	6.8kΩ 1/16W J	
R4854	NRSA6AJ-123W	MG RESISTOR	12kΩ 1/16W J		R7811	NRSA6AJ-682W	MG RESISTOR	6.8kΩ 1/16W J	
R4855	NRSA6AJ-564W	MG RESISTOR	560kΩ 1/16W J		R7813	NRSA6AJ-103W	MG RESISTOR	10kΩ 1/16W J	
R4856	NRSA6AJ-105W	MG RESISTOR	1MΩ 1/16W J		R8504	NRSA6AJ-103W	MG RESISTOR	10kΩ 1/16W J	
R4857	NRSA6AJ-224W	MG RESISTOR	220kΩ 1/16W J		R8508	NRSA6AD-682W	MG RESISTOR	6.8kΩ 1/16W D	
R4858	NRSA6AJ-821W	MG RESISTOR	820Ω 1/16W J		R8509	NRSA6AD-511W	MG RESISTOR	510Ω 1/16W D	
R4859	NRSA6AJ-104W	MG RESISTOR	100kΩ 1/16W J		R8510	NRSA6AJ-222W	MG RESISTOR	2.2kΩ 1/16W J	
R4860	NRSA6AJ-105W	MG RESISTOR	1MΩ 1/16W J		R8511	NRSA6AJ-222W	MG RESISTOR	2.2kΩ 1/16W J	
R4862	NRSA6AJ-472W	MG RESISTOR	4.7kΩ 1/16W J		R8512	NRSA6AJ-0R0W	MG RESISTOR	0Ω 1/16W J	
R4863	NRSA6AJ-103W	MG RESISTOR	10kΩ 1/16W J		R8513	NRSA6AJ-0R0W	MG RESISTOR	0Ω 1/16W J	
R4864	NRSA6AJ-104W	MG RESISTOR	100kΩ 1/16W J		R8514	NRSA6AJ-102W	MG RESISTOR	1kΩ 1/16W J	
R4865	NRSA6AJ-104W	MG RESISTOR	100kΩ 1/16W J		R8515	NRSA6AJ-102W	MG RESISTOR	1kΩ 1/16W J	
R4866	NRSA6AJ-104W	MG RESISTOR	100kΩ 1/16W J		R8517	NRSA6AJ-473W	MG RESISTOR	47kΩ 1/16W J	
R4868	NRSA6AJ-683W	MG RESISTOR	68kΩ 1/16W J		R8518	NRSA6AJ-103W	MG RESISTOR	10kΩ 1/16W J	
R4869	NRSA6AJ-393W	MG RESISTOR	39kΩ 1/16W J		RA3001	NRZ0034-151W	NET RESISTOR	150Ω 1/32W J x4	
R4870	NRSA6AJ-562W	MG RESISTOR	5.6kΩ 1/16W J		RA3002	NRZ0034-151W	NET RESISTOR	150Ω 1/32W J x4	
R4871	NRSA6AJ-473W	MG RESISTOR	47kΩ 1/16W J		RA3003	NRZ0034-151W	NET RESISTOR	150Ω 1/32W J x4	
R4872	NRSA6AJ-473W	MG RESISTOR	47kΩ 1/16W J		RA3004	NRZ0034-151W	NET RESISTOR	150Ω 1/32W J x4	
R4874	NRSA6AJ-822W	MG RESISTOR	8.2kΩ 1/16W J		RA3005	NRZ0034-330W	NET RESISTOR	330Ω 1/32W J x4	
R4876	NRSA6AJ-153W	MG RESISTOR	15kΩ 1/16W J		RA4001	NRZ0034-151W	NET RESISTOR	150Ω 1/32W J x4	
R4878	NRSA6AJ-123W	MG RESISTOR	12kΩ 1/16W J		RA4002	NRZ0034-151W	NET RESISTOR	150Ω 1/32W J x4	
R4880	NRSA6AJ-103W	MG RESISTOR	10kΩ 1/16W J		RA4003	NRZ0034-151W	NET RESISTOR	150Ω 1/32W J x4	
R4881	NRSA6AJ-103W	MG RESISTOR	10kΩ 1/16W J		RA4004	NRZ0034-151W	NET RESISTOR	150Ω 1/32W J x4	
R4882	NRSA6AJ-103W	MG RESISTOR	10kΩ 1/16W J		L106	NRSA02J-0R0X	MG RESISTOR	0Ω 1/10W J	
R4883	NRSA6AJ-103W	MG RESISTOR	10kΩ 1/16W J		L141	NQR0154-004X	FERRITE CORE		
R4884	NRSA6AJ-0R0W	MG RESISTOR	0Ω 1/16W J		L201	NQR0251-004X	FERRITE BEADS		
R4885	NRSA6AJ-0R0W	MG RESISTOR	0Ω 1/16W J		L202	NQR0251-004X	FERRITE BEADS		
R4886	NRSA6AJ-0R0W	MG RESISTOR	0Ω 1/16W J		L1002	NQL38DK-100X	P COIL	10uH K	
R4887	NRSA6AJ-102W	MG RESISTOR	1kΩ 1/16W J		L2401	NQLC32M-100X	COIL	10uH M	
R4901	NRSA6AJ-103W	MG RESISTOR	10kΩ 1/16W J		L2402	NQLC32M-100X	COIL	10uH M	
R4903	NRSA6AJ-822W	MG RESISTOR	8.2kΩ 1/16W J		L2601	NQR0269-013X	FERRITE BEADS		
R4904	NRSA6AJ-103W	MG RESISTOR	10kΩ 1/16W J		L2602	NQR0269-013X	FERRITE BEADS		
R4905	NRSA6AJ-153W	MG RESISTOR	15kΩ 1/16W J		L2603	NQR0269-013X	FERRITE BEADS		
R4906	NRSA6AJ-564W	MG RESISTOR	560kΩ 1/16W J		L2651	NRSA63J-0R0X	MG RESISTOR	0Ω 1/16W J	
R4907	NRSA6AJ-105W	MG RESISTOR	1MΩ 1/16W J		L2652	NRSA63J-0R0X	MG RESISTOR	0Ω 1/16W J	
R4910	NRSA6AJ-0R0W	MG RESISTOR	0Ω 1/16W J		L2653	NRSA63J-0R0X	MG RESISTOR	0Ω 1/16W J	
R4911	NRSA6AJ-101W	MG RESISTOR	100Ω 1/16W J		L2654	NRSA63J-0R0X	MG RESISTOR	0Ω 1/16W J	
R4912	NRSA6AJ-101W	MG RESISTOR	100Ω 1/16W J		L3001	NQR0154-004X	FERRITE CORE		
R4914	NRSA6AJ-104W	MG RESISTOR	100kΩ 1/16W J		L3002	NQR0154-004X	FERRITE CORE		
R4915	NRSA6AJ-104W	MG RESISTOR	100kΩ 1/16W J		L3003	NQR0154-004X	FERRITE CORE		
R4916	NRSA6AJ-154W	MG RESISTOR	150kΩ 1/16W J		L3004	NQR0154-004X	FERRITE CORE		
R4917	NRSA6AJ-474W	MG RESISTOR	470kΩ 1/16W J		L3005	NQR0006-001X	FERRITE BEADS		
R4919	NRSA6AJ-103W	MG RESISTOR	10kΩ 1/16W J		L3006	NQR0006-001X	FERRITE BEADS		
R4920	NRSA6AJ-103W	MG RESISTOR	10kΩ 1/16W J		L3008	NQR0154-004X	FERRITE CORE		
R4923	NRSA6AJ-0R0W	MG RESISTOR	0Ω 1/16W J		L3009	NQR0006-001X	FERRITE BEADS		
R4924	NRSA6AJ-123W	MG RESISTOR	12kΩ 1/16W J		L3010	NQR0599-003X	FERRITE BEADS		
R4927	NRSA6AJ-564W	MG RESISTOR	560kΩ 1/16W J		L3011	NQR0599-003X	FERRITE BEADS		
R4931	NRSA6AJ-331W	MG RESISTOR	330Ω 1/16W J		L4001	NQR0599-003X	FERRITE BEADS		
R4932	NRSA6AJ-331W	MG RESISTOR	330Ω 1/16W J		L4004	NQR0599-003X	FERRITE BEADS		
R4933	NRSA6AJ-103W	MG RESISTOR	10kΩ 1/16W J		L4005	NQR0599-003X	FERRITE BEADS		
R4934	NRSA6AJ-103W	MG RESISTOR	10kΩ 1/16W J		L4006	NQR0599-003X	FERRITE BEADS		
R4935	NRSA6AJ-474W	MG RESISTOR	470kΩ 1/16W J		L4007	NQR0599-003X	FERRITE BEADS		
R4936	NRSA6AJ-154W	MG RESISTOR	150kΩ 1/16W J		L4008	NQR0599-003X	FERRITE BEADS		
R4949	NRSA6AJ-103W	MG RESISTOR	10kΩ 1/16W J		L4010	NQR0154-003X	FERRITE CORE		
R4950	NRSA6AJ-154W	MG RESISTOR	150kΩ 1/16W J		L4011	NQR0154-003X	FERRITE CORE		
R4951	NRSA6AJ-154W	MG RESISTOR	150kΩ 1/16W J		L4013	NQL302N-100X	COIL	10uH N	
R4953	NRSA6AJ-470W	MG RESISTOR	47Ω 1/16W J		L4014	NQR0006-001X	FERRITE BEADS		
R4954	NRSA6AJ-0R0W	MG RESISTOR	0Ω 1/16W J		L4015	NQR0599-003X	FERRITE BEADS		
R4955	NRSA6AJ-564W	MG RESISTOR	560kΩ 1/16W J		L4021	NQR0599-003X	FERRITE BEADS		
R4959	NRSA63J-0R0X	MG RESISTOR	0Ω 1/16W J		L4201	NQL38DK-100X	P COIL	10uH K	
R4961	NRSA6AJ-104W	MG RESISTOR	100kΩ 1/16W J		L4501	NQL38DK-100X	P COIL	10uH K	
R4962	NRSA6AJ-104W	MG RESISTOR	100kΩ 1/16W J		L4902	NQL38DK-100X	P COIL	10uH K	
R4973	NRSA6AJ-473W	MG RESISTOR	47kΩ 1/16W J		L4903	NQL38DK-100X	P COIL	10uH K	
R4987	NRSA6AJ-121W	MG RESISTOR	120Ω 1/16W J		L5801	NQR0129-002X	FERRITE BEADS		
R4988	NRSA6AJ-121W	MG RESISTOR	120Ω 1/16W J		L5851	NQR0129-002X	FERRITE BEADS		
R5805	NRSA6AJ-473W	MG RESISTOR	47kΩ 1/16W J		L7801	NQL38DK-101X	P COIL	100uH K	
R5806	NRSA6AJ-474W	MG RESISTOR	470kΩ 1/16W J		L8505	NQR0599-003X	FERRITE BEADS		
R5807	NRSA6AJ-183W	MG RESISTOR	18kΩ 1/16W J		L8506	NQR0599-003X	FERRITE BEADS		
R5808	NRSA6AJ-105W	MG RESISTOR	1MΩ 1/16W J		L8507	NQR0599-003X	FERRITE BEADS		
R5811	NRSA6AJ-123W	MG RESISTOR	12kΩ 1/16W J		L8508	NQR0568-002X	CHOKE COIL		
R5812	NRSA6AJ-0R0W	MG RESISTOR	0Ω 1/16W J		L8509	NQR0568-002X	CHOKE COIL		
R7803	NRSA6AD-103W	MG RESISTOR	10kΩ 1/16W D		△ BT101	QAB0040-001	LITHIUM BATTERY		
R7804	NRSA6AD-103W	MG RESISTOR	10kΩ 1/16W D		CN101	QGB0407L1-24X	CONNECTOR	CMOS FPC B-B (1-24)	
R7805	NRSA6AD-103W	MG RESISTOR	10kΩ 1/16W D		CN102	QGF0534F2-30X	CONNECTOR	OP K217 FFC/FPC (1-30)	
R7806	NRSA6AD-272W	MG RESISTOR	2.7kΩ 1/16W D		CN103	QGF0534F2-12X	CONNECTOR	JACK FFC/FPC (1-12)	
R7807	NRSA6AD-272W	MG RESISTOR	2.7kΩ 1/16W D		CN104	QGF0534F2-36X	CONNECTOR	MONI/OPE FFC/FPC (1-36)	
R7808	NRSA6AD-272W	MG RESISTOR	2.7kΩ 1/16W D						
R7809	NRSA6AJ-682W	MG RESISTOR	6.8kΩ 1/16W J						

MODEL	MARK	MODEL	MARK	MODEL	MARK
GZ-HD10AA	A	GZ-HD10AH	D	GZ-HD10EX	G
GZ-HD10AC	B	GZ-HD10EK	E	GZ-HD10EZ	H
GZ-HD10AG	C	GZ-HD10ER	F		

Symbol No.	Part No.	Part Name	Description	Local
CN105	QGF0566C1-60X	CONNECTOR	FFC/FPC (1-60)	
CN106	QGF0534F2-40X	CONNECTOR	HDD FFC/FPC (1-40)	
CN107	QGA1002C1-06X	CONNECTOR	DC W-B (1-6)	
CN108	QGF0534F2-08X	CONNECTOR	OPEUNIT FFC/FPC (1-8)	
CN109	QGB0512L1-30X	CONNECTOR	JIG B-B (1-30)	
CN110	NNZ0189-001X	MICRO SD CONNECTOR	SD	
CN2201	QGA1001F1-04X	CONNECTOR	W-B (1-4)	
J101	QNZ0847-001	USB CONNECTOR	USB	
J102	QNS0287-001	3.5 JACK	AV	
J103	QNZ0669-002	M CONNECTOR	MULTI	
J104	QNA0040-001	DC JACK	DC	
J105	NNZ0181-001X	HDMI CONNECTOR	HDMI	
LC3001	NQR0415-001X	EMI FILTER	1uF 10V M	
LC4001	NQR0415-001X	EMI FILTER	1uF 10V M	
TP102	NNZ0084-002X	EARTH TERMINAL		
TP103	NNZ0163-001X	EARTH TERMINAL		
TP104	NNZ0163-001X	EARTH TERMINAL		
TP105	NNZ0084-002X	EARTH TERMINAL		
TP106	NNZ0084-002X	EARTH TERMINAL		
X1001	NAX0647-001X	C RESONATOR	20.000MHz	
X1002	NAX0491-001X	CRYSTAL	32.768kHz	
OT1	LY36427-001A	COVER(IR)	IR	
OT2	LY36522-001A	COVER(IR)2	IR	
OT3	LY45291-033A	GASKET		
WR1	WJJ0964-001B-E	E-SI C WIRE C-C	MAIN-REG	

JACK BOARD ASSEMBLY <02>

Symbol No.	Part No.	Part Name	Description	Local
PW1	LYA10148-01B	JACK BOARD ASSY		
IC851	S-89120ANC-G-W	IC		
IC852	TC7S66FU-X	IC(DIGITAL)		
IC853	NAL0039-002X	GYRO SENSOR		
D861	NSPW300DS/C0VW/	LED		
C811	NCBA1CK-103W	C CAPACITOR	0.01uF 16V K	
C813	NCBA1CK-103W	C CAPACITOR	0.01uF 16V K	
C814	NCBA1CK-103W	C CAPACITOR	0.01uF 16V K	
C851	NBE90JM-106X	TA E CAPACITOR	10uF 6.3V M	
C852	NCBA1CK-103W	C CAPACITOR	0.01uF 16V K	
C853	NBE90JM-106X	TA E CAPACITOR	10uF 6.3V M	
C854	NCBA1AK-104W	C CAPACITOR	0.1uF 10V K	
C855	NCB21AK-225X	C CAPACITOR	2.2uF 10V K	
C856	NDCA1HJ-331W	C CAPACITOR	330pF 50V J	
C857	NBE20JM-475X	TA E CAPACITOR	4.7uF 6.3V M	
C858	NDCA1HJ-331W	C CAPACITOR	330pF 50V J	
C859	NCBA1AK-104W	C CAPACITOR	0.1uF 10V K	
R851	NRSA6AJ-473W	MG RESISTOR	47kΩ 1/16W J	
R852	NRSA6AJ-474W	MG RESISTOR	470kΩ 1/16W J	
R853	NRSA6AJ-183W	MG RESISTOR	18kΩ 1/16W J	
R854	NRSA6AJ-105W	MG RESISTOR	1MΩ 1/16W J	
R855	NRSA6AJ-123W	MG RESISTOR	12kΩ 1/16W J	
R856	NRSA6AJ-0R0W	MG RESISTOR	0Ω 1/16W J	
R857	NRSA6AJ-0R0W	MG RESISTOR	0Ω 1/16W J	
R861	NRSA6AJ-103W	MG RESISTOR	10kΩ 1/16W J	
L801	NQR0269-013X	FERRITE BEADS		
L802	NQR0269-013X	FERRITE BEADS		
L803	NRSA63J-0R0X	MG RESISTOR	0Ω 1/16W J	
L807	NQR0269-013X	FERRITE BEADS		
L851	NQR0129-002X	FERRITE BEADS		
L852	NQR0129-002X	FERRITE BEADS		
CN801	QGF0543F3-12X	CONNECTOR	FFC/FPC (1-12)	
J801	QNS0233-001	3.5 JACK		
HD1	LY36470-001A	HOLDER(LED)		
WR1	WJT0223-001A-E	E-CARD WIRE	JACK-MAIN	

REG BOARD ASSEMBLY <05>

Symbol No.	Part No.	Part Name	Description	Local
PW1	LYA10139-03A	REG BOARD ASSY		
IC6001	FA7736AF	IC		
Q6001	SP8J5-X	MOS FET		
Q6081	UMX1N-W	PAIR TRANSISTOR		
Q6081	or PUMX1-W	PAIR TRANSISTOR		
Q6081	or XP4501-W	TRANSISTOR		
Q6081	or KTC801U/GI-X	PAIR TRANSISTOR		
Q6081	or RT3CLLM/EF/-X	TRANSISTOR		
Q6201	RSR025P03-X	MOS FET		
Q6202	RSR025N03-X	MOS FET		
Q6501	2SA1577/QR/-X	TRANSISTOR		
Q6502	UMX1N-W	PAIR TRANSISTOR		
Q6502	or PUMX1-W	PAIR TRANSISTOR		
Q6502	or XP4501-W	TRANSISTOR		
Q6502	or KTC801U/GI-X	PAIR TRANSISTOR		
Q6502	or RT3CLLM/EF/-X	TRANSISTOR		
Q6701	RSR025P03-X	MOS FET		
Q6702	RSR025P03-X	MOS FET		
Q6703	RSR025P03-X	MOS FET		
D6001	EMZ6.8N-X	Z DIODE	BATT T/D	
D6002	UDZW16B-X	Z DIODE	BATT +	
D6002	or MA8160/M/-X	Z DIODE	BATT +	
D6071	SML-A12UT-X	LED		
D6072	SML-A12MT-X	LED		
D6101	MA22D23-X	SB DIODE		
D6201	MA22D28-X	SB DIODE		
D6301	MA22D23-X	SB DIODE		
D6401	MA22D23-X	SB DIODE		
D6501	RB481K-X	SB DIODE		
D6502	RB481K-X	SB DIODE		
D6701	MA22D23-X	SB DIODE		
D6702	MA22D23-X	SB DIODE		
D6901	RB551V-30-X	SB DIODE		
D6901	or MA22720-X	SB DIODE		
C6001	NCB31EK-104X	C CAPACITOR	0.1uF 25V K	
C6003	NCBA1AK-104W	C CAPACITOR	0.1uF 10V K	
C6006	NCJ21CK-475X-R	C CAPACITOR	4.7uF 16V K	
C6007	NCB21CK-105X	C CAPACITOR	1uF 16V K	
C6008	NCB31CK-473X	C CAPACITOR	0.047uF 16V K	
C6009	NCBA1AK-104W	C CAPACITOR	0.1uF 10V K	
C6010	NCBA1AK-104W	C CAPACITOR	0.1uF 10V K	
C6011	NCJ21CK-475X-R	C CAPACITOR	4.7uF 16V K	
C6081	NCB11AK-106X	C CAPACITOR	10uF 10V K	
C6082	NCB11AK-106X	C CAPACITOR	10uF 10V K	
C6101	NCBA1HK-221W	C CAPACITOR	220pF 50V K	
C6102	NCBA1HK-561W	C CAPACITOR	560pF 50V K	
C6103	NCB21CK-105X	C CAPACITOR	1uF 16V K	
C6104	NCB20JK-106X	C CAPACITOR	10uF 6.3V K	
C6201	NCBA1HK-221W	C CAPACITOR	220pF 50V K	
C6202	NCBA1HK-561W	C CAPACITOR	560pF 50V K	
C6203	NCB21CK-105X	C CAPACITOR	1uF 16V K	
C6204	NCB20JK-106X	C CAPACITOR	10uF 6.3V K	
C6301	NCBA1HK-221W	C CAPACITOR	220pF 50V K	
C6302	NCBA1HK-681W	C CAPACITOR	680pF 50V K	
C6303	NCB21CK-105X	C CAPACITOR	1uF 16V K	
C6304	NCB20JK-106X	C CAPACITOR	10uF 6.3V K	
C6401	NCBA1HK-221W	C CAPACITOR	220pF 50V K	
C6402	NCBA1HK-681W	C CAPACITOR	680pF 50V K	
C6403	NCB21CK-105X	C CAPACITOR	1uF 16V K	
C6404	NCB20JK-106X	C CAPACITOR	10uF 6.3V K	
C6501	NCBA1CK-473W	C CAPACITOR	0.047uF 16V K	
C6502	NCBA1AK-333W	C CAPACITOR	0.033uF 10V K	
C6503	NCB21CK-105X	C CAPACITOR	1uF 16V K	
C6504	NCB21CK-105X	C CAPACITOR	1uF 16V K	
C6506	NCB21CK-105X	C CAPACITOR	1uF 16V K	
C6507	NCB21CK-105X	C CAPACITOR	1uF 16V K	
C6508	NCB21CK-105X	C CAPACITOR	1uF 16V K	
C6510	NCB21CK-105X	C CAPACITOR	1uF 16V K	
C6701	NCBA1EK-472W	C CAPACITOR	4700pF 25V K	
C6702	NCBA1CK-103W	C CAPACITOR	0.01uF 16V K	
C6704	NCB21CK-105X	C CAPACITOR	1uF 16V K	
C6705	NCB11AK-106X	C CAPACITOR	10uF 10V K	

MODEL	MARK	MODEL	MARK	MODEL	MARK
GZ-HD10AA	A	GZ-HD10AH	D	GZ-HD10EX	G
GZ-HD10AC	B	GZ-HD10EK	E	GZ-HD10EZ	H
GZ-HD10AG	C	GZ-HD10ER	F		

OPE BOARD ASSEMBLY <06>

△ Symbol No. Part No. Part Name Description Local

C6706	NCBA1HK-821W	C CAPACITOR	820pF 50V K	
C6707	NCBA1HK-221W	C CAPACITOR	220pF 50V K	
C6708	NCB11AK-106X	C CAPACITOR	10uF 10V K	
C6901	NCBA1HK-102W	C CAPACITOR	1000pF 50V K	
C6902	NCBA1HK-392W	C CAPACITOR	3900pF 50V K	
C6903	NCJ21CK-475X-R	C CAPACITOR	4.7uF 16V K	
C6904	NCB20JK-106X	C CAPACITOR	10uF 6.3V K	
R6001	NRSA6AD-823W	MG RESISTOR	82kΩ 1/16W D	
R6002	NRSA6AD-333W	MG RESISTOR	33kΩ 1/16W D	
R6003	NRSA6AD-154W	MG RESISTOR	150kΩ 1/16W D	
R6004	NRSA6AD-393W	MG RESISTOR	39kΩ 1/16W D	
R6005	NRSA6AD-303W	MG RESISTOR	30kΩ 1/16W D	
R6006	NRSA6AD-473W	MG RESISTOR	47kΩ 1/16W D	
R6081	NRSA6AJ-332W	MG RESISTOR	3.3kΩ 1/16W J	
R6084	NRSA6AJ-0R0W	MG RESISTOR	0Ω 1/16W J	
R6101	NRSA6AJ-822W	MG RESISTOR	8.2kΩ 1/16W J	
R6102	NRSA6AD-183W	MG RESISTOR	18kΩ 1/16W D	
R6103	NRSA6AD-203W	MG RESISTOR	20kΩ 1/16W D	
R6104	NRSA6AD-224W	MG RESISTOR	220kΩ 1/16W D	
R6105	NRSA6AJ-0R0W	MG RESISTOR	0Ω 1/16W J	
R6201	NRSA6AJ-562W	MG RESISTOR	5.6kΩ 1/16W J	
R6202	NRSA6AJ-103W	MG RESISTOR	10kΩ 1/16W J	
R6301	NRSA6AJ-822W	MG RESISTOR	8.2kΩ 1/16W J	
R6302	NRSA6AD-163W	MG RESISTOR	16kΩ 1/16W D	
R6303	NRSA6AD-822W	MG RESISTOR	8.2kΩ 1/16W D	
R6401	NRSA6AJ-822W	MG RESISTOR	8.2kΩ 1/16W J	
R6402	NRSA6AD-303W	MG RESISTOR	30kΩ 1/16W D	
R6403	NRSA6AD-153W	MG RESISTOR	15kΩ 1/16W D	
R6501	NRSA6AJ-272W	MG RESISTOR	2.7kΩ 1/16W J	
R6502	NRSA6AJ-473W	MG RESISTOR	47kΩ 1/16W J	
R6503	NRSA6AD-473W	MG RESISTOR	47kΩ 1/16W D	
R6504	NRSA6AD-332W	MG RESISTOR	3.3kΩ 1/16W D	
R6505	NRSA6AD-303W	MG RESISTOR	30kΩ 1/16W D	
R6506	NRSA6AD-393W	MG RESISTOR	39kΩ 1/16W D	
R6508	NRSA6AJ-103W	MG RESISTOR	10kΩ 1/16W J	
R6509	NRSA6AJ-682W	MG RESISTOR	6.8kΩ 1/16W J	
R6510	NRSA6AD-362W	MG RESISTOR	3.6kΩ 1/16W D	
R6511	NRSA6AD-473W	MG RESISTOR	47kΩ 1/16W D	
R6701	NRSA6AJ-561W	MG RESISTOR	560Ω 1/16W J	
R6703	NRSA6AD-103W	MG RESISTOR	10kΩ 1/16W D	
R6704	NRSA6AD-393W	MG RESISTOR	39kΩ 1/16W D	
R6705	NRSA6AJ-822W	MG RESISTOR	8.2kΩ 1/16W J	
R6706	NRSA6AD-153W	MG RESISTOR	15kΩ 1/16W D	
R6707	NRSA6AD-114W	MG RESISTOR	110kΩ 1/16W D	
R6708	NRSA6AJ-472W	MG RESISTOR	4.7kΩ 1/16W J	
R6709	NRSA6AJ-224W	MG RESISTOR	220kΩ 1/16W J	
R6710	NRSA6AJ-185W	MG RESISTOR	1.8MΩ 1/16W J	
R6711	NRSA6AJ-185W	MG RESISTOR	1.8MΩ 1/16W J	
R6712	NRV142F-R20X	CMF RESISTOR	0.2Ω 1/4W F	
R6901	NRSA6AJ-472W	MG RESISTOR	4.7kΩ 1/16W J	
R6902	NRSA6AJ-102W	MG RESISTOR	1kΩ 1/16W J	
L6081	NQL38DK-100X	P COIL	10uH K	
L6101	NQL52EM-390X	COIL	39uH M	
L6201	NQLG2EM-100X	COIL	10uH M	
L6301	NQL52EM-390X	COIL	39uH M	
L6401	NQL52EM-390X	COIL	39uH M	
L6501	NQL52EM-221X	COIL	220uH M	
L6502	NQL38DK-100X	P COIL	10uH K	
L6701	NQL52EM-470X	COIL	47uH M	
L6901	NQL79GM-470X	COIL	47uH M	
CN6001	QGF0534F2-56X	CONNECTOR	TO MAIN FFC/FPC (1-56)	
CN6002	QGA1002F1-03X	CONNECTOR	TO FAN W-B (1-3)	
CN6003	QGA1002F1-06X	CONNECTOR	TO MAIN W-B (1-6)	
△ F6001	NMFZ007-2R5X-K	FUSE	2.5A 24V	
△ F6002	NMFZ007-2R5X-K	FUSE	2.5A 24V	
△ F6401	NMFZ007-1R25X-K	FUSE	1.25A 32V	
J6001	LY35060-001B	BATT.TERM.UNIT	BATT TERMI	
WR1	QAL1095-001	FPC	REG-MAIN	

△ Symbol No. Part No. Part Name Description Local

PW2	LYA10149-01B2	OPE BOARD ASSY		
R601	NRSA63J-682X	MG RESISTOR	6.8kΩ 1/16W J	
R602	NRSA63J-153X	MG RESISTOR	15kΩ 1/16W J	
R603	NRSA63J-473X	MG RESISTOR	47kΩ 1/16W J	
CN601	QGF0534F2-08X	CONNECTOR	TO MAIN FFC/FPC (1-8)	
CN602	QGA1001F1-02X	CONNECTOR	W-B (1-2)	
S601	NSW0301-001X	TACT SWITCH		
S602	NSW0301-001X	TACT SWITCH		
S603	NSW0301-001X	TACT SWITCH		
S604	NSW0301-001X	TACT SWITCH		
S605	NSW0301-001X	TACT SWITCH		
S606	NSW0294-001X	LEVER SWITCH		
S607	NSW0301-001X	TACT SWITCH		

MONITOR BOARD ASSEMBLY <07>

△ Symbol No. Part No. Part Name Description Local

PW1	LYA10149-01B1	MONITOR BOARD ASSY		
IC701	HGDES031A-X	IC	MR IC	
IC7301	TC7SZ04FU-F-X	IC(DIGITAL)		
Q701	2SC4617/QR/-X	TRANSISTOR		
Q701	or 2SC5383/E/-X	TRANSISTOR		
Q701	or 2SD2216J/QR/-X	TRANSISTOR		
Q7301	2SC4617/QR/-X	TRANSISTOR		
Q7301	or 2SD2216J/QR/-X	TRANSISTOR		
Q7301	or 2SC5383/E/-X	TRANSISTOR		
Q7302	2SA1774/QR/-X	TRANSISTOR		
Q7302	or 2SB1462J/QR/-X	TRANSISTOR		
Q7302	or 2SA1989/QR/-X	TRANSISTOR		
Q7303	2SC4617/QR/-X	TRANSISTOR		
Q7303	or 2SD2216J/QR/-X	TRANSISTOR		
Q7303	or 2SC5383/E/-X	TRANSISTOR		
Q7304	UMT1N-W	PAIR TRANSISTOR		
Q7304	or KTA701U/G/-X	PAIR TRANSISTOR		
Q7304	or PUMT1-W	PAIR TRANSISTOR		
Q7304	or BC856S-X	PAIR TRANSISTOR		
Q7305	DTC143XE-X	DIGI TRANSISTOR		
Q7305	or UN921FJ-X	DIGI TRANSISTOR		
Q7305	or SRC1219EF-X	DIGI TRANSISTOR		
Q7305	or KRC419E-X	DIGI TRANSISTOR		
Q7305	or RT1N432U-X	DIGI TRANSISTOR		
Q7306	DTC124EE-X	DIGI TRANSISTOR		
Q7306	or SRC1203EF-X	DIGI TRANSISTOR		
Q7306	or KRC403E-X	DIGI TRANSISTOR		
Q7306	or RT1N241U-X	DIGI TRANSISTOR		
Q7306	or UN9212J-X	DIGI TRANSISTOR		
Q7307	DTC124EE-X	DIGI TRANSISTOR		
Q7307	or SRC1203EF-X	DIGI TRANSISTOR		
Q7307	or KRC403E-X	DIGI TRANSISTOR		
Q7307	or RT1N241U-X	DIGI TRANSISTOR		
Q7307	or UN9212J-X	DIGI TRANSISTOR		
Q7308	DTC124EE-X	DIGI TRANSISTOR		
Q7308	or SRC1203EF-X	DIGI TRANSISTOR		
Q7308	or KRC403E-X	DIGI TRANSISTOR		
Q7308	or RT1N241U-X	DIGI TRANSISTOR		
Q7308	or UN9212J-X	DIGI TRANSISTOR		
Q7309	DTC124EE-X	DIGI TRANSISTOR		
Q7309	or SRC1203EF-X	DIGI TRANSISTOR		
Q7309	or KRC403E-X	DIGI TRANSISTOR		
Q7309	or RT1N241U-X	DIGI TRANSISTOR		
Q7309	or UN9212J-X	DIGI TRANSISTOR		
Q7310	DTA144EE-X	DIGI TRANSISTOR	DTA144EE	
Q7310	or KRA304E-X	DIGI TRANSISTOR		
Q7310	or PDA144EE-X	DIGI TRANSISTOR		
Q7310	or UN9113J-X	DIGI TRANSISTOR		
Q7311	UMX1N-W	PAIR TRANSISTOR		
Q7311	or KTC801U/G/-X	PAIR TRANSISTOR		
Q7311	or RT3CLLM/EF/-X	TRANSISTOR		

MODEL	MARK	MODEL	MARK	MODEL	MARK
GZ-HD10AA	A	GZ-HD10AH	D	GZ-HD10EX	G
GZ-HD10AC	B	GZ-HD10EK	E	GZ-HD10EZ	H
GZ-HD10AG	C	GZ-HD10ER	F		

Symbol No.	Part No.	Part Name	Description	Local
Q7311	or XP4501-W	TRANSISTOR		
Q7311	or PUMX1-W	PAIR TRANSISTOR		
D701	MA8068-X	Z DIODE		
D7302	UDZS5.1B-X	Z DIODE		
D7302	or MA8051/M-X	Z DIODE		
D7303	NSSW008D/T205-X	LED		
D7304	NSSW008D/T205-X	LED		
D7305	NSSW008D/T205-X	LED		
D7306	NSSW008D/T205-X	LED		
D7307	1SS355-X	SI DIODE		
D7307	or MA111-X	SI DIODE		
D7307	or SDS511-X	SI DIODE		
D7307	or 1SS352-X	SI DIODE		
C701	NCB30JK-225X	C CAPACITOR	2.2uF 6.3V K	
C702	NCB30JK-225X	C CAPACITOR	2.2uF 6.3V K	
C7303	NCB31CK-105X	C CAPACITOR	1uF 16V K	
C7304	NCB20JK-106X	C CAPACITOR	10uF 6.3V K	
C7306	NCB20JK-106X	C CAPACITOR	10uF 6.3V K	
C7309	NCB21CK-105X	C CAPACITOR	1uF 16V K	
C7310	NCB21CK-105X	C CAPACITOR	1uF 16V K	
C7311	NCB21CK-105X	C CAPACITOR	1uF 16V K	
C7312	NCB20JK-106X	C CAPACITOR	10uF 6.3V K	
C7314	NCB31CK-105X	C CAPACITOR	1uF 16V K	
C7315	NCB11CK-475X	C CAPACITOR	4.7uF 16V K	
C7316	NCB21CK-104X	C CAPACITOR	0.1uF 16V K	
C7320	NCB31CK-104X	C CAPACITOR	0.1uF 16V K	
C7321	NCB31CK-105X	C CAPACITOR	1uF 16V K	
R701	NRSA63J-682X	MG RESISTOR	6.8kΩ 1/16W J	
R702	NRSA63J-153X	MG RESISTOR	15kΩ 1/16W J	
R703	NRSA63J-473X	MG RESISTOR	47kΩ 1/16W J	
R705	NRSA63J-682X	MG RESISTOR	6.8kΩ 1/16W J	
R706	NRSA63J-123X	MG RESISTOR	12kΩ 1/16W J	
R707	NRSA63J-303X	MG RESISTOR	30kΩ 1/16W J	
R712	NRSA63J-0R0X	MG RESISTOR	0Ω 1/16W J	
R713	NRSA63J-0R0X	MG RESISTOR	0Ω 1/16W J	
R7302	NRSA63J-102X	MG RESISTOR	1kΩ 1/16W J	
R7303	NRSA63J-273X	MG RESISTOR	27kΩ 1/16W J	
R7308	NRSA63J-222X	MG RESISTOR	2.2kΩ 1/16W J	
R7310	NRSA63D-181X	MG RESISTOR	180Ω 1/16W D	
R7311	NRSA63D-272X	MG RESISTOR	2.7kΩ 1/16W D	
R7312	NRSA63D-332X	MG RESISTOR	3.3kΩ 1/16W D	
R7313	NRSA63J-104X	MG RESISTOR	100kΩ 1/16W J	
R7314	NRSA63J-473X	MG RESISTOR	47kΩ 1/16W J	
R7315	NRSA63J-473X	MG RESISTOR	47kΩ 1/16W J	
R7316	NRSA63J-473X	MG RESISTOR	47kΩ 1/16W J	
R7320	NRSA63J-562X	MG RESISTOR	5.6kΩ 1/16W J	
R7321	NRSA63J-202X	MG RESISTOR	2kΩ 1/16W J	
R7322	NRSA63J-103X	MG RESISTOR	10kΩ 1/16W J	
R7330	NRSA63J-105X	MG RESISTOR	1MΩ 1/16W J	
R7331	NRSA63D-102X	MG RESISTOR	1kΩ 1/16W D	
R7332	NRSA63D-682X	MG RESISTOR	6.8kΩ 1/16W D	
R7333	NRSA63D-180X	MG RESISTOR	18Ω 1/16W D	
R7334	NRSA63J-0R0X	MG RESISTOR	0Ω 1/16W J	
R7335	NRSA63J-0R0X	MG RESISTOR	0Ω 1/16W J	
R7336	NRSA63J-0R0X	MG RESISTOR	0Ω 1/16W J	
R7337	NRSA63J-123X	MG RESISTOR	12kΩ 1/16W J	
R7339	NRSA63J-0R0X	MG RESISTOR	0Ω 1/16W J	
L7301	NQL382M-100X	COIL	10uH M	
L7302	NQL382M-100X	COIL	10uH M	
CN701	QGF0534F2-24X	CONNECTOR	TO LCDMOD FFC/FPC (1-24)	
CN703	QGF0534F2-28X	CONNECTOR	TO OPEPWIB FFC/FPC (1-28)	
S701	NSW0297-002X	TACT SWITCH	CROSS KEY	
S702	NSW0301-001X	TACT SWITCH	MENU	
S703	NSW0301-001X	TACT SWITCH	INDEX	