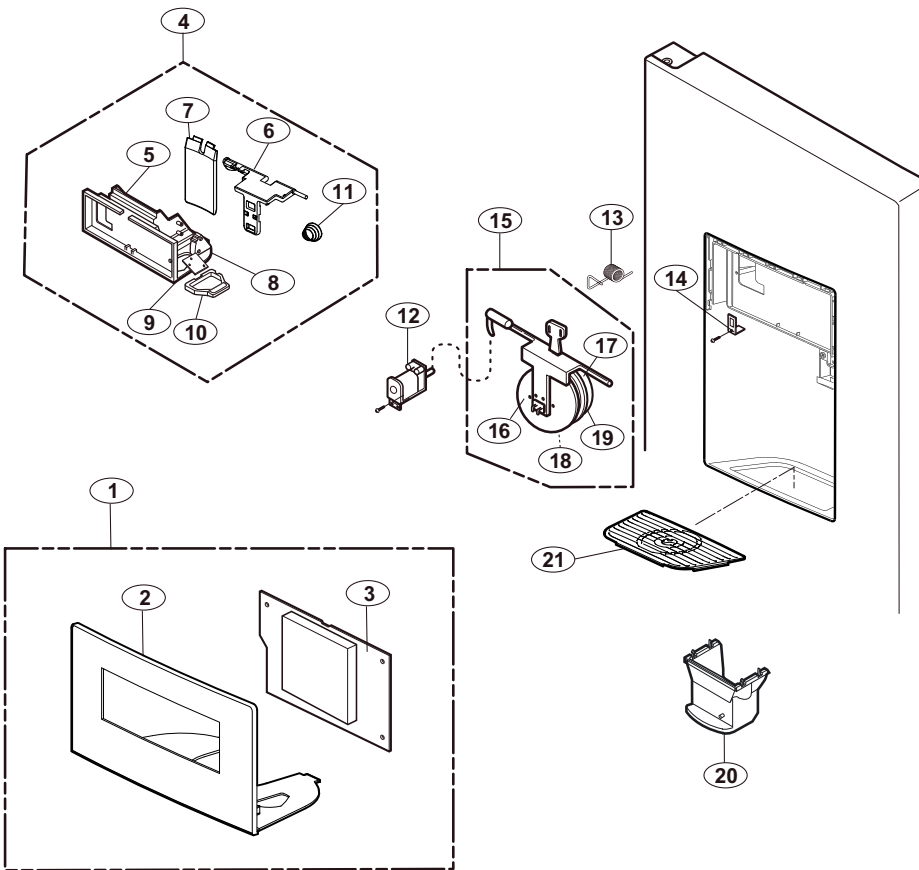


# HOW TO DISASSEMBLE AND ASSEMBLE

## 8) Dispenser Related Parts

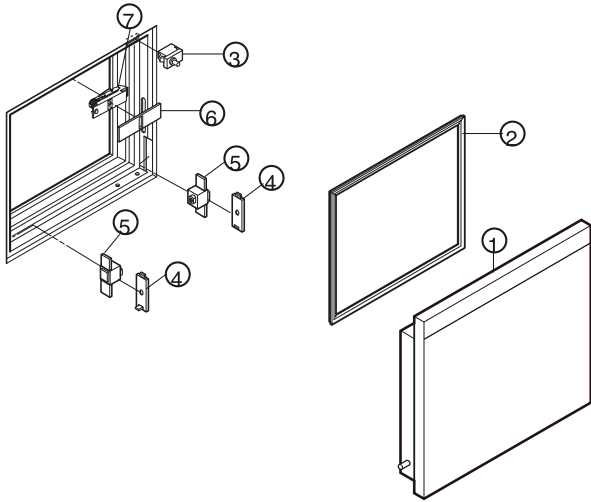


|    |                            |
|----|----------------------------|
| 1  | COVER ASSEMBLY, DISPENSER  |
| 2  | COVER, DISPENSER           |
| 3  | PWB(PCB) ASSEMBLY, DISPLAY |
| 4  | FRAME FUNNEL, ASSEMBLY     |
| 5  | FRAME, FUNNEL              |
| 6  | LEVER, DISPENSER           |
| 7  | BUTTON, LEVER              |
| 8  | SWITCH, MICRO              |
| 9  | PCB ASSEMBLY, DISPLAY      |
| 10 | SUPPORTER, HOLDER          |
| 11 | SPRING                     |
| 12 | SOLENOID, ASSEMBLY         |
| 13 | SPRING                     |
| 14 | LEVER, HOLDER              |
| 15 | CAP ASSEMBLY, DUCT         |
| 16 | CAP, DUCT                  |
| 17 | DISPENSER, LEVER           |
| 18 | FOAM                       |
| 19 | RUBBER, CAP                |
| 20 | FUNNEL                     |
| 21 | DECO, DRAIN                |

# HOW TO DISASSEMBLE AND ASSEMBLE

## 11. HOME BAR

### 11-1. Home Bar related parts



|                        |                            |
|------------------------|----------------------------|
| 1 DOOR ASSEMBLY, H/BAR | 5 HINGE ASSEMBLY, H/BAR    |
| 2 GASKET, H/BAR        | 6 COVER, LEVER             |
| 3 SWITCH, PUSH BUTTON  | 7 HOLDER ASSEMBLY, BRACKET |
| 4 COVER, FRAME         |                            |

### 11-2. Home Bar parts disassembly and assembly

#### 1) Disassemble H/Bar.



Using a flat driver or a pick tool, separate a home bar

#### 2) Assembly H/Bar.

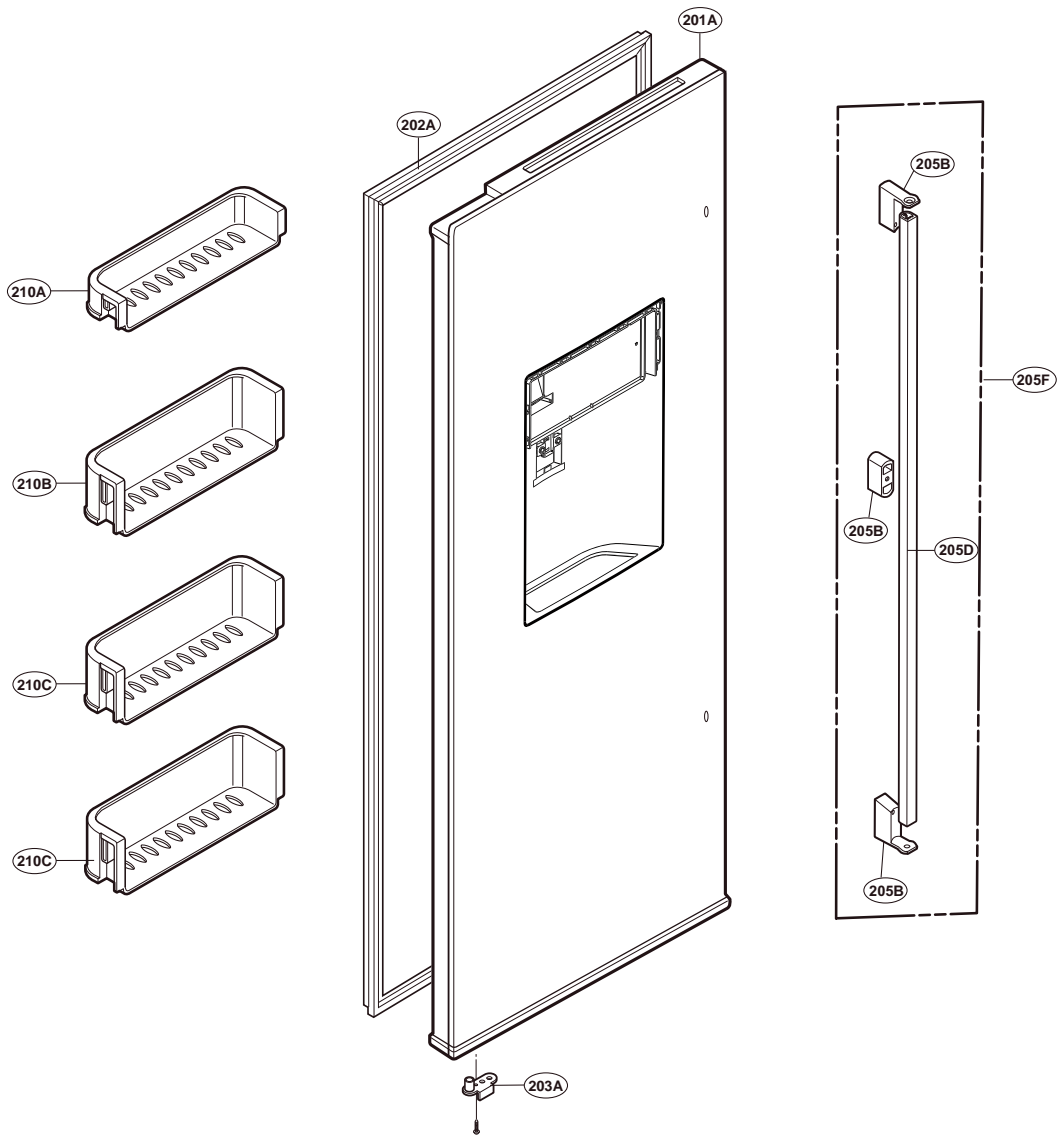


First, you insert a right side, and push a home bar hinge on left side(⊕).

# EXPLODED VIEW

---

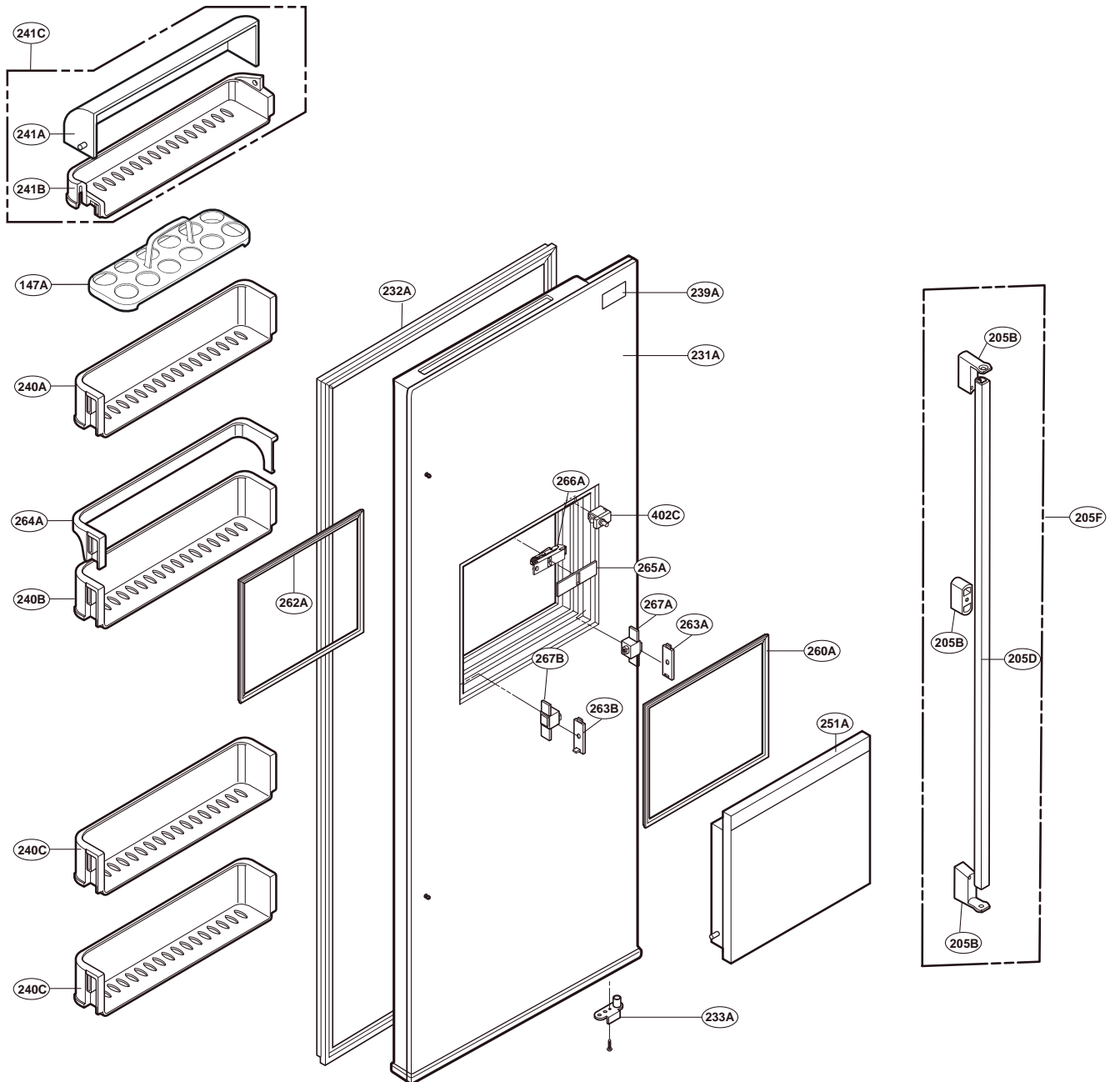
**FREEZER DOOR PART**  
Ref No.: GW-P207, GW-L207



# EXPLODED VIEW

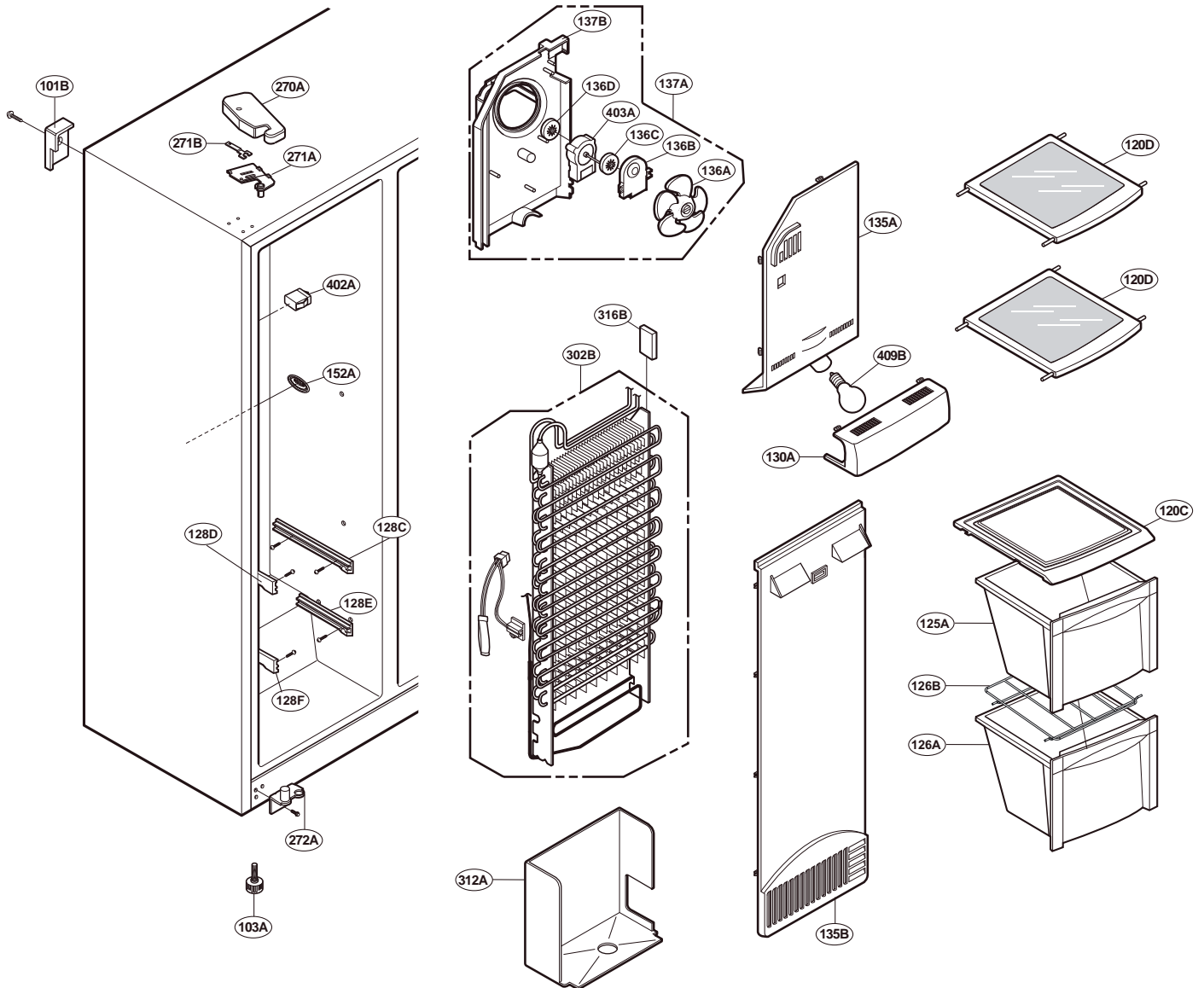
## REFRIGERATOR DOOR PART

Ref No.: GW-P207, GW-C207



# EXPLODED VIEW

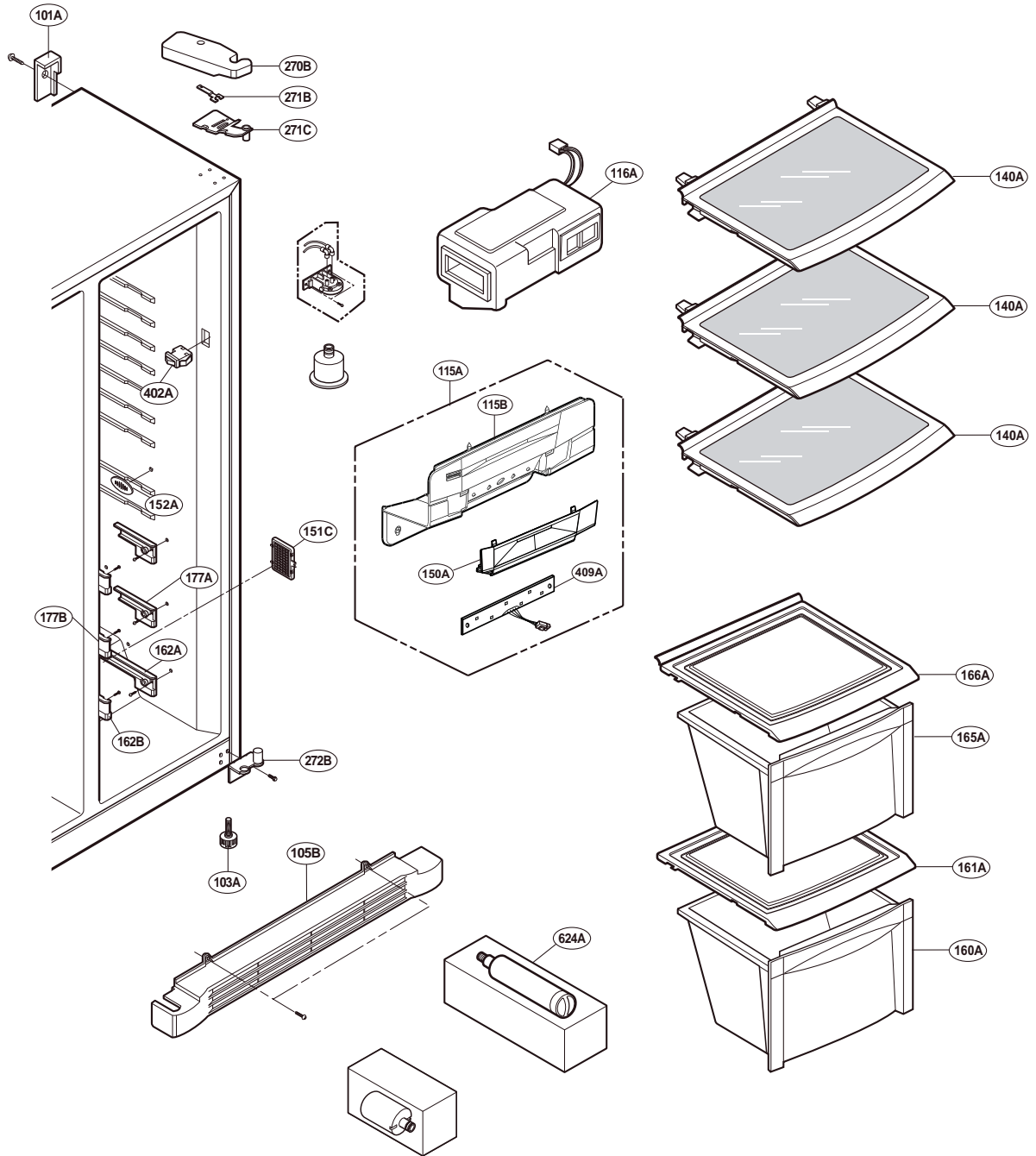
**FREEZER COMPARTMENT**  
Ref No.: GW-P207, GW-L207



# EXPLODED VIEW

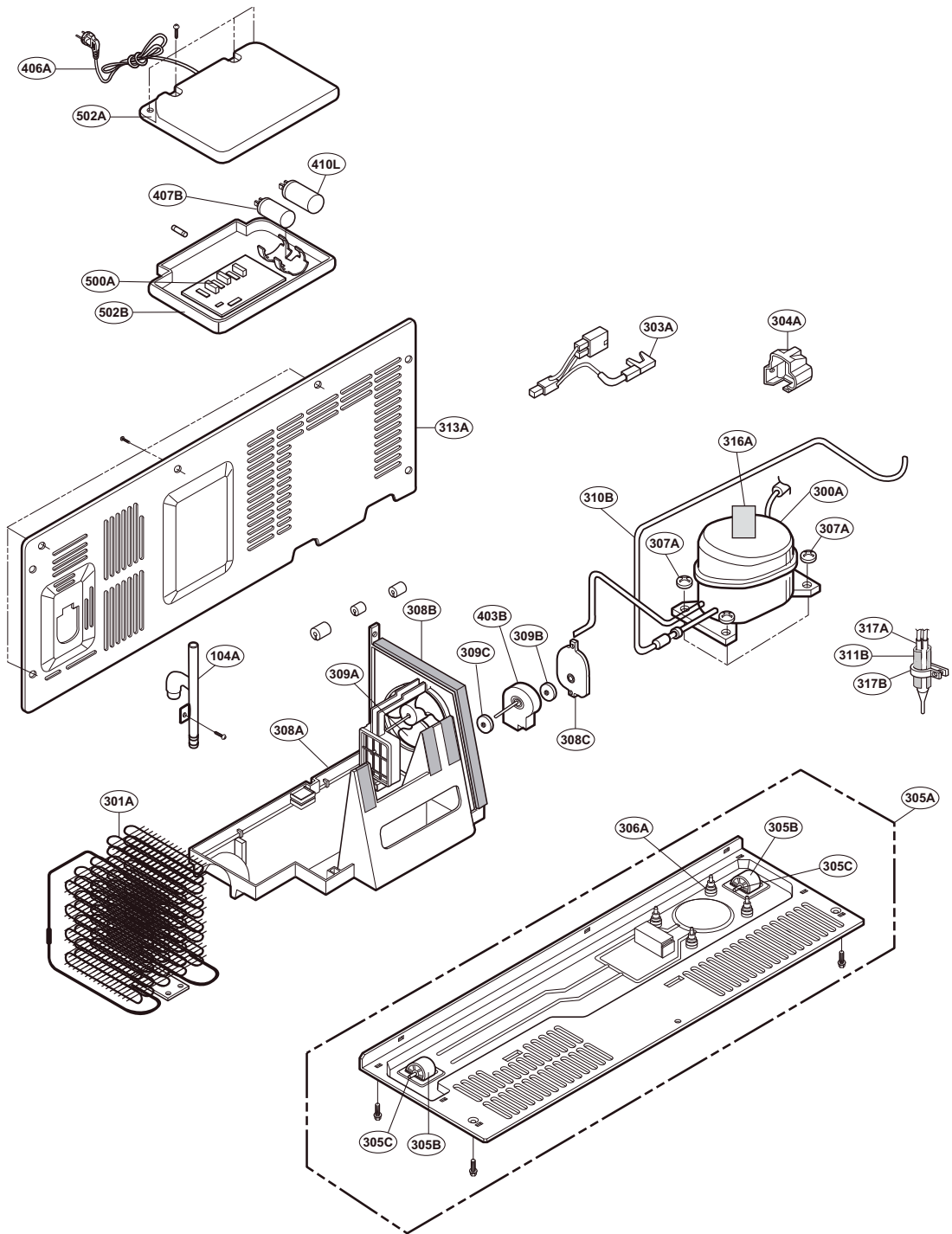
## REFRIGERATOR COMPARTMENT

Ref No.: GW-P207, GW-L207



# EXPLODED VIEW

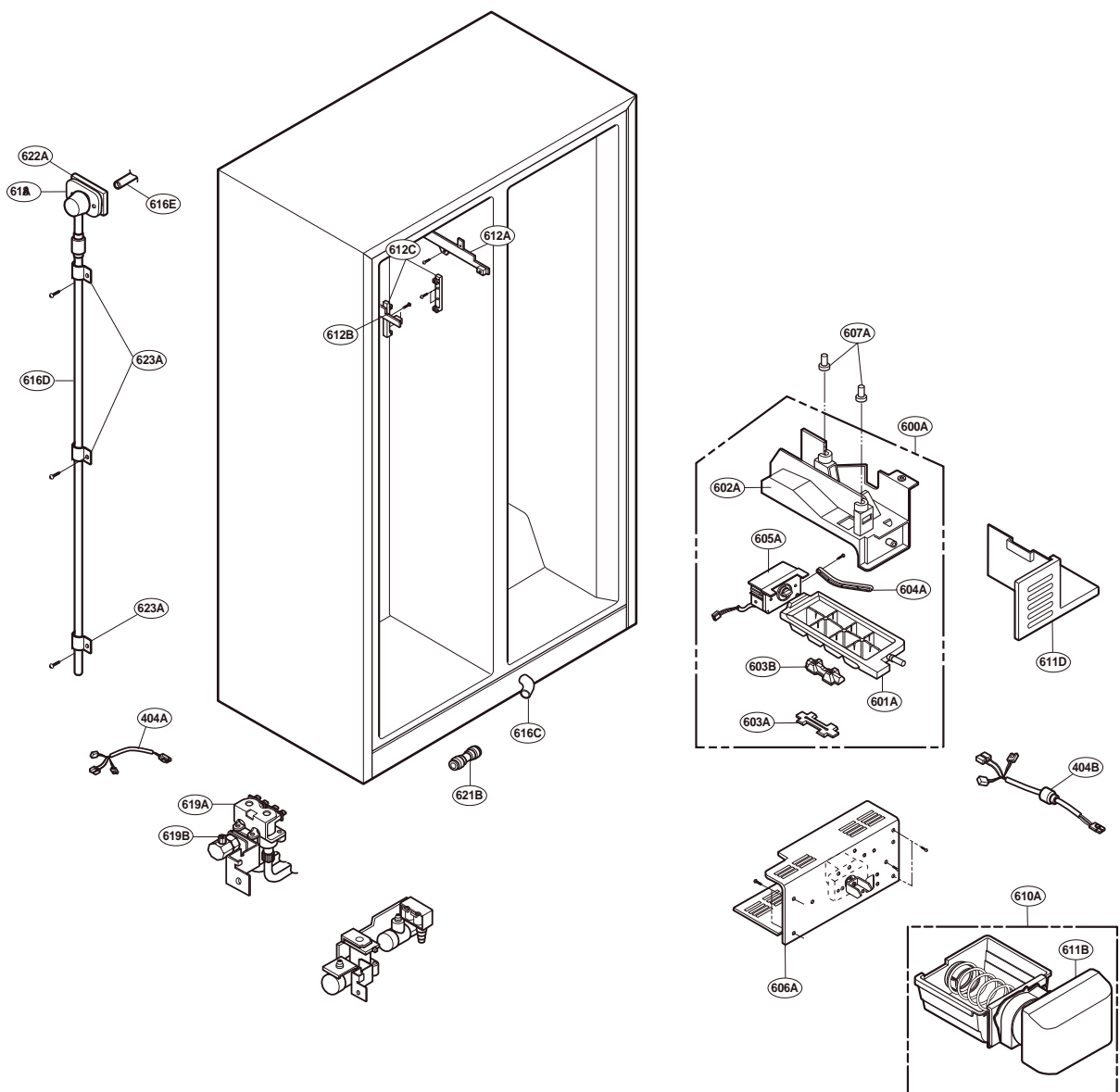
MACHINE COMPARTMENT  
Ref No.: GS3159\*\* (E/F/G/H/J)V





# ICE & WATER PART

Ref No.: GW-P207, GW-L207 - PLUMBING





# EXPLODED VIEW

## DISPENSER PART

Ref No.: GW-P207, GW-L207

