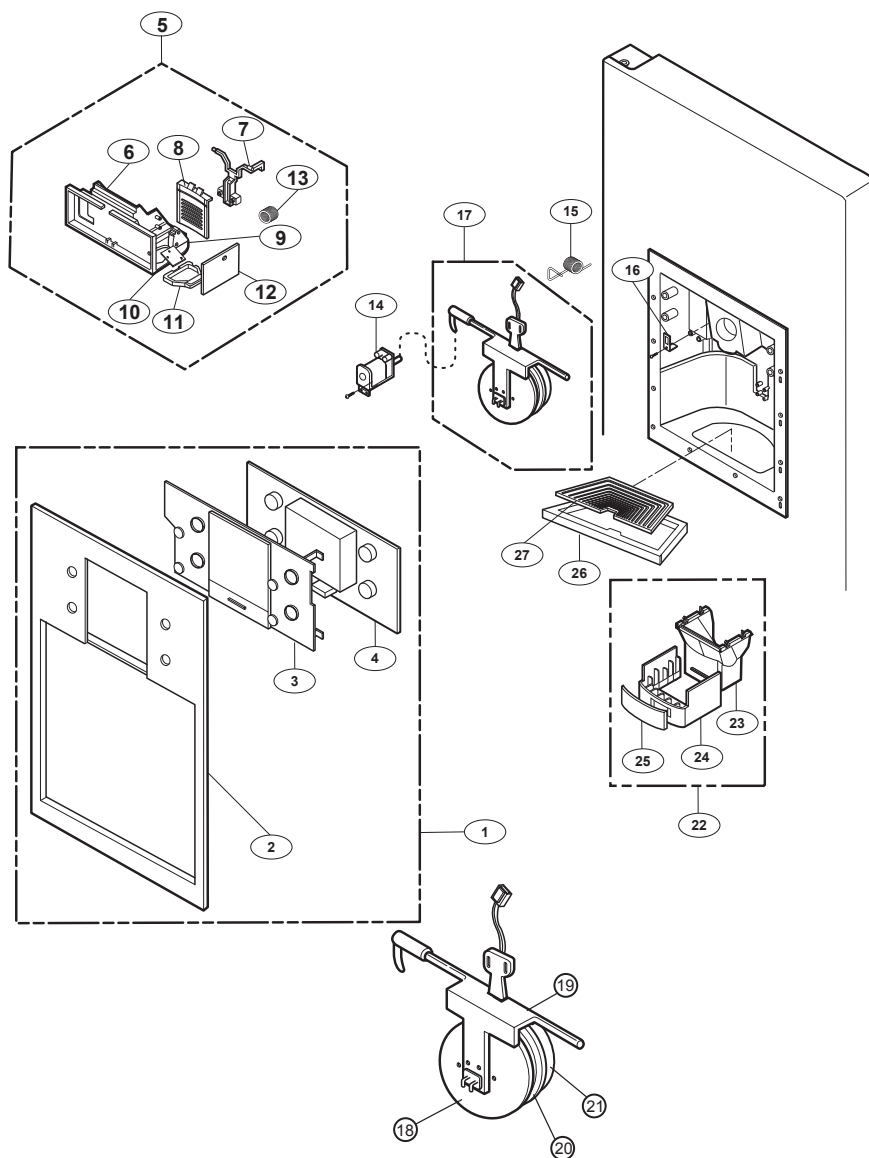


HOW TO DISASSEMBLE AND ASSEMBLE

8) Dispenser Related Parts



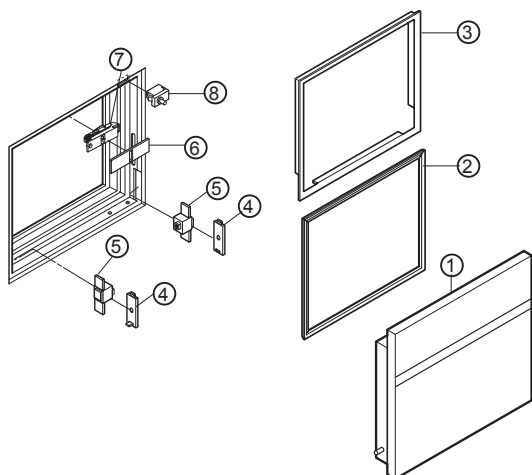
1	COVER ASSEMBLY, DISPENSER
2	COVER, DISPENSER
3	DECO COVER, DISPLAY
4	PWB(PCB) ASSEMBLY, DISPLAY
5	FRAME FUNNEL, ASSEMBLY
6	FRAME, FUNNEL
7	LEVER, DISPENSER
8	BUTTON, LEVER
9	SWITCH, MICRO
10	PCB ASSEMBLY, DISPLAY
11	SUPPORTER, HOLDER
12	SHEET DUCT
13	SPRING, LEVER
14	SOLENOID, ASSEMBLY
15	SPRING
16	LEVER, HOLDER
17	CAP ASSEMBLY, DUCT
18	CAP, DUCT
19	DISPENSER, LEVER
20	FOAM, NEW
21	RUBBER, CAP
22	FUNNEL, ASSEMBLY
23	FUNNEL
24	DECO, COVER
25	DECO, PANEL
26	DECO, DRAIN
27	DECO, DRAIN(COVER)

< 17 Cap Assembly, Duct Detailed Drawings >

HOW TO DISASSEMBLE AND ASSEMBLE

8. HOME BAR

8-1. Home Bar related parts



1 DOOR ASSEMBLY, H/BAR	5 HINGE ASSEMBLY, H/BAR
2 GASKET, H/BAR	6 COVER, LEVER
3 COVER, H/BAR	7 HOLDER ASSEMBLY, BRACKET
4 COVER, FRAME	8 SWITCH, PUSH BUTTON

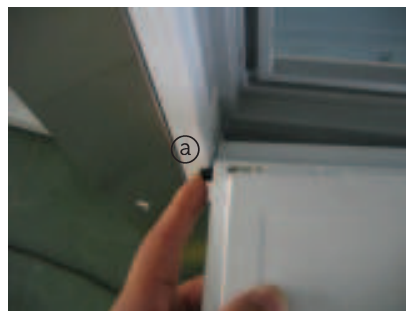
8-2. Home Bar parts disassembly and assembly

1) Disassemble H/Bar.



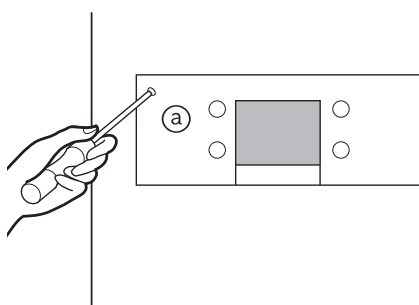
Using a flat driver or a pick tool, separate a home bar

2) Assembly H/Bar.

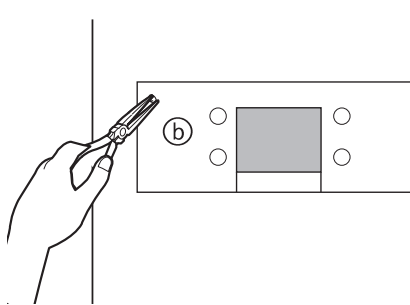


First, you insert a right side, and push a home bar hinge on left side (a).

9. DISPLAY COVER ASSEMBLY (GW-C227/B227)



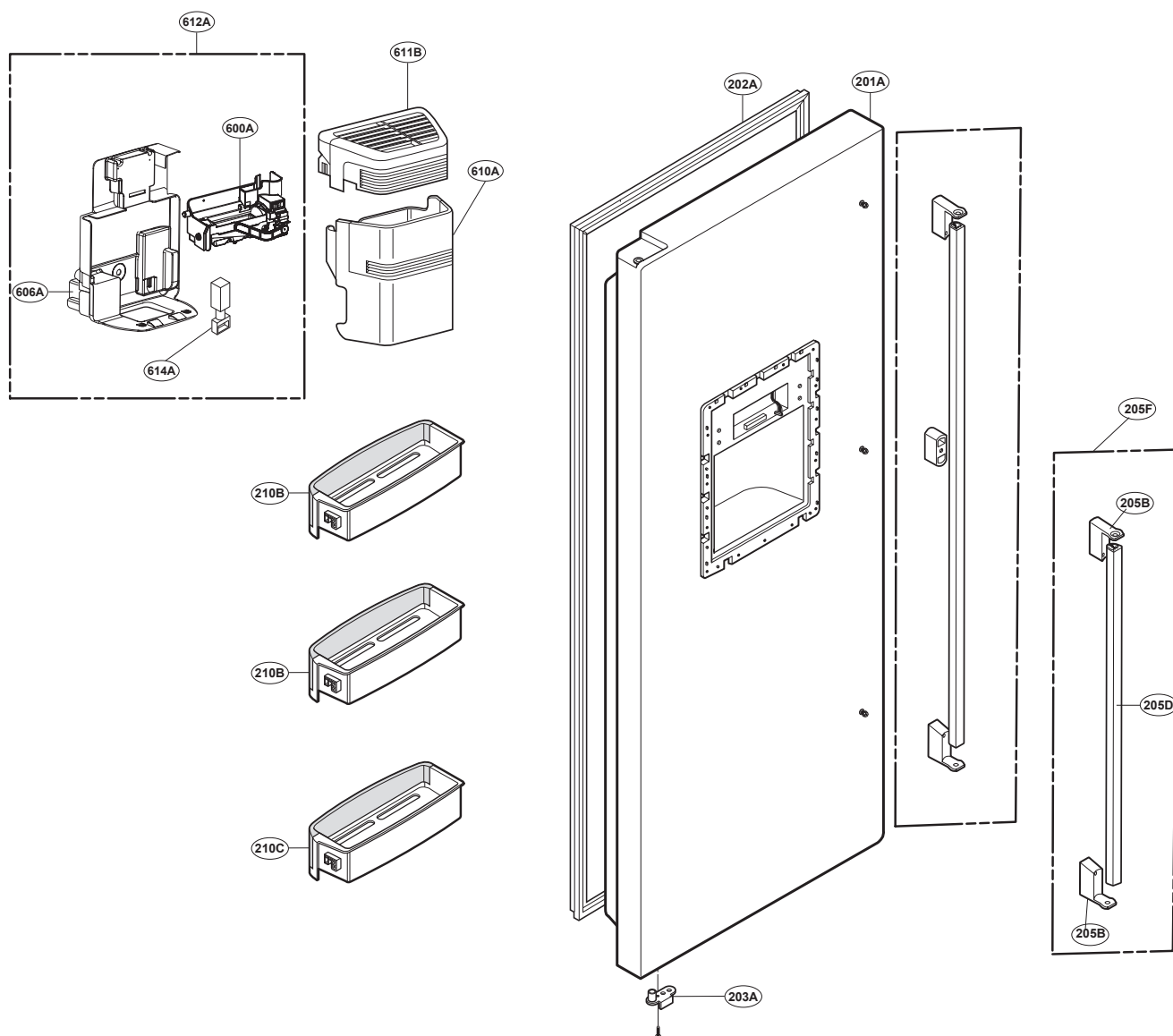
Fixing a screw to the display by using a screwdriver (a).



Separate the display by using a flyer (b).

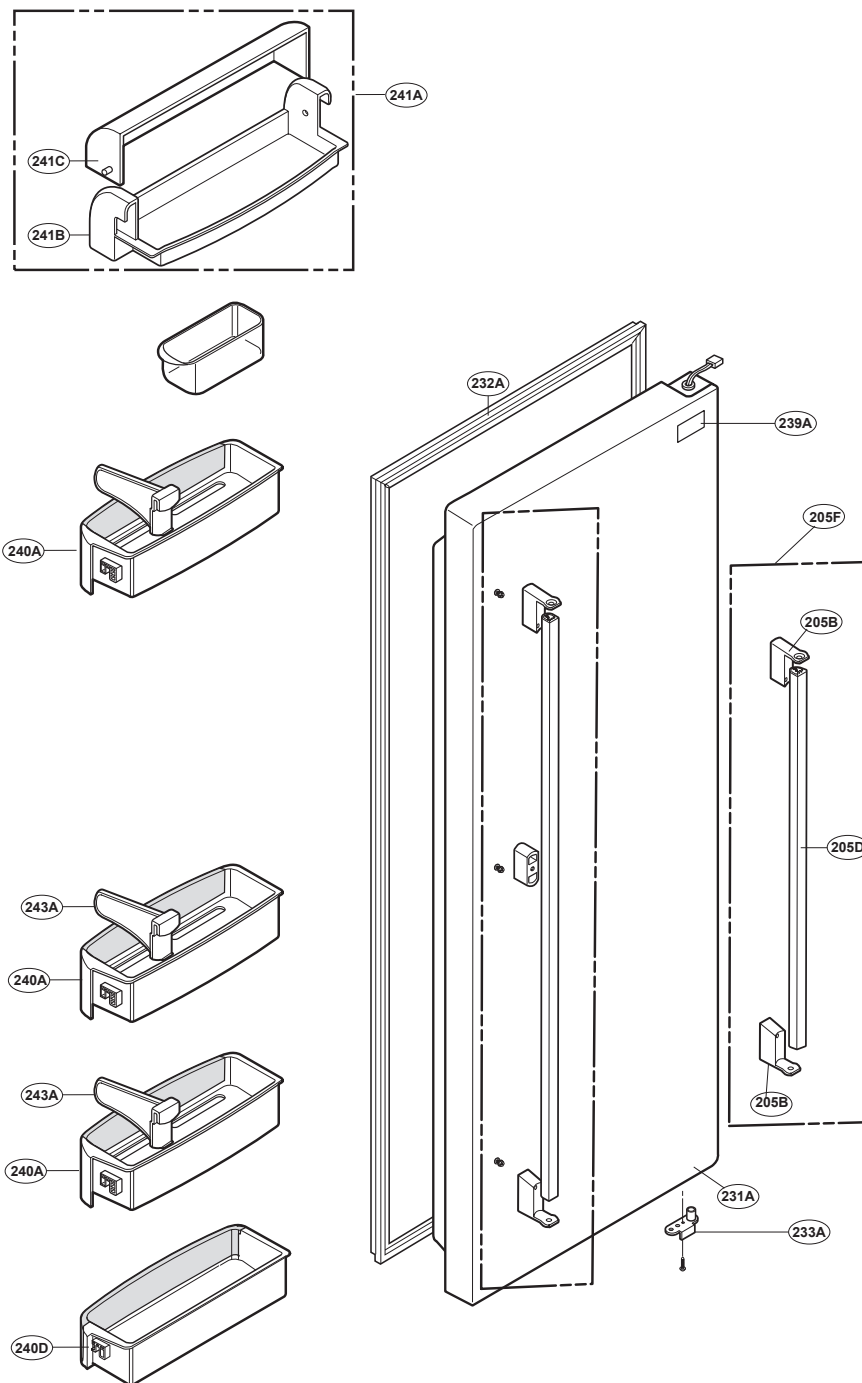
EXPLODED VIEW

FREEZER DOOR PART : GW-L227



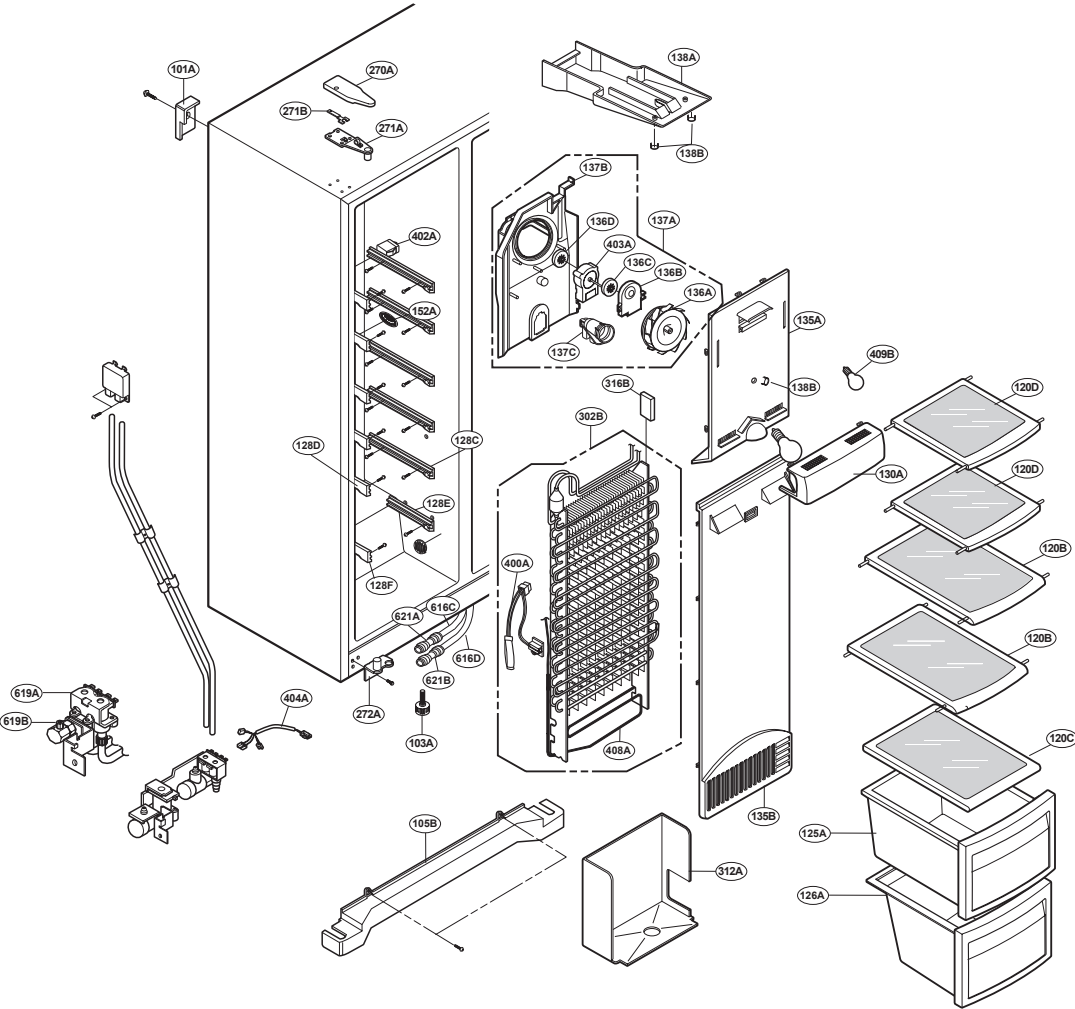
EXPLODED VIEW

REFRIGERATOR DOOR PART : GW-L227



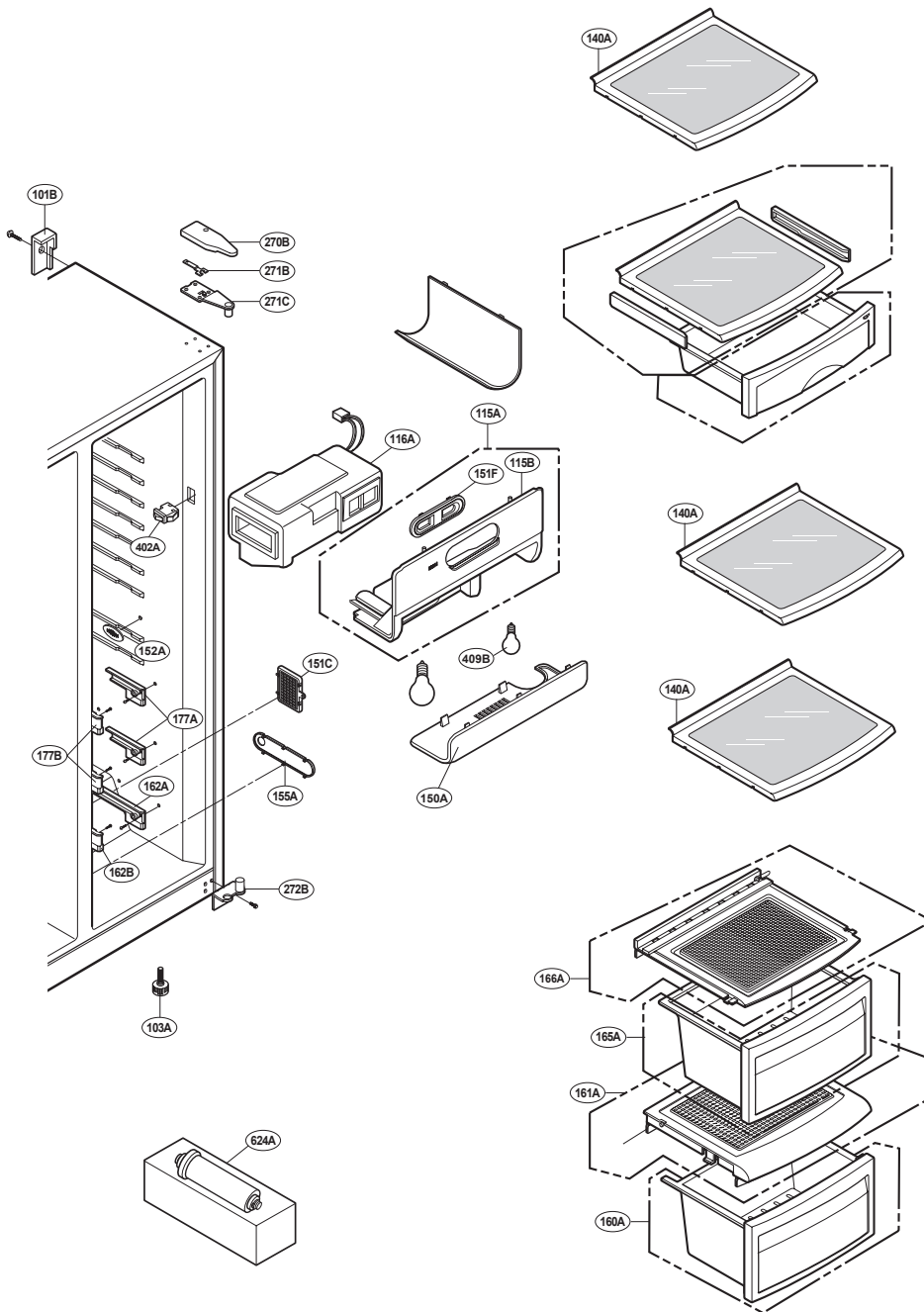
EXPLODED VIEW

FREEZER COMPARTMENT



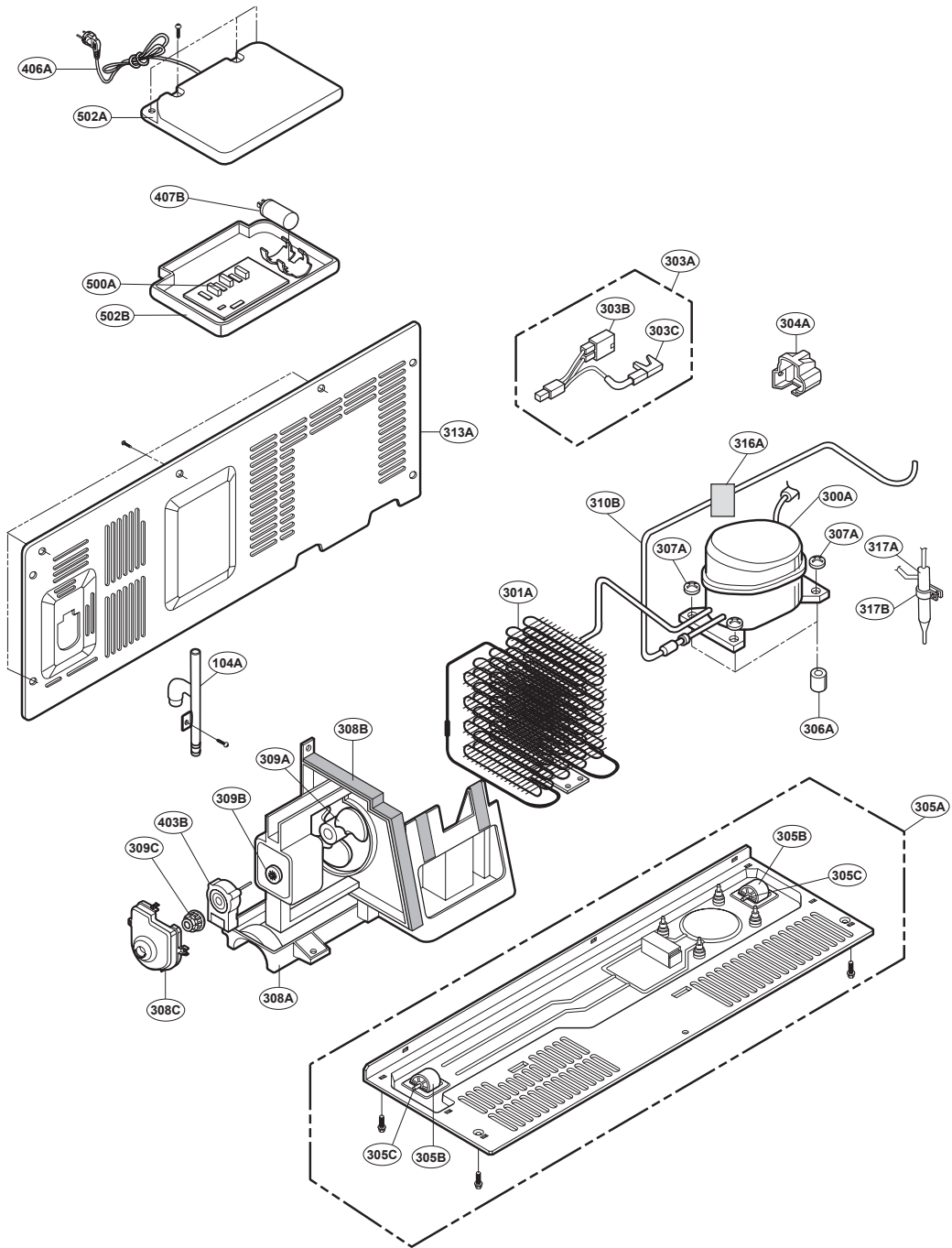
EXPLODED VIEW

REFRIGERATOR COMPARTMENT



EXPLODED VIEW

MACHINE COMPARTMENT



EXPLODED VIEW

DISPENSER PART

