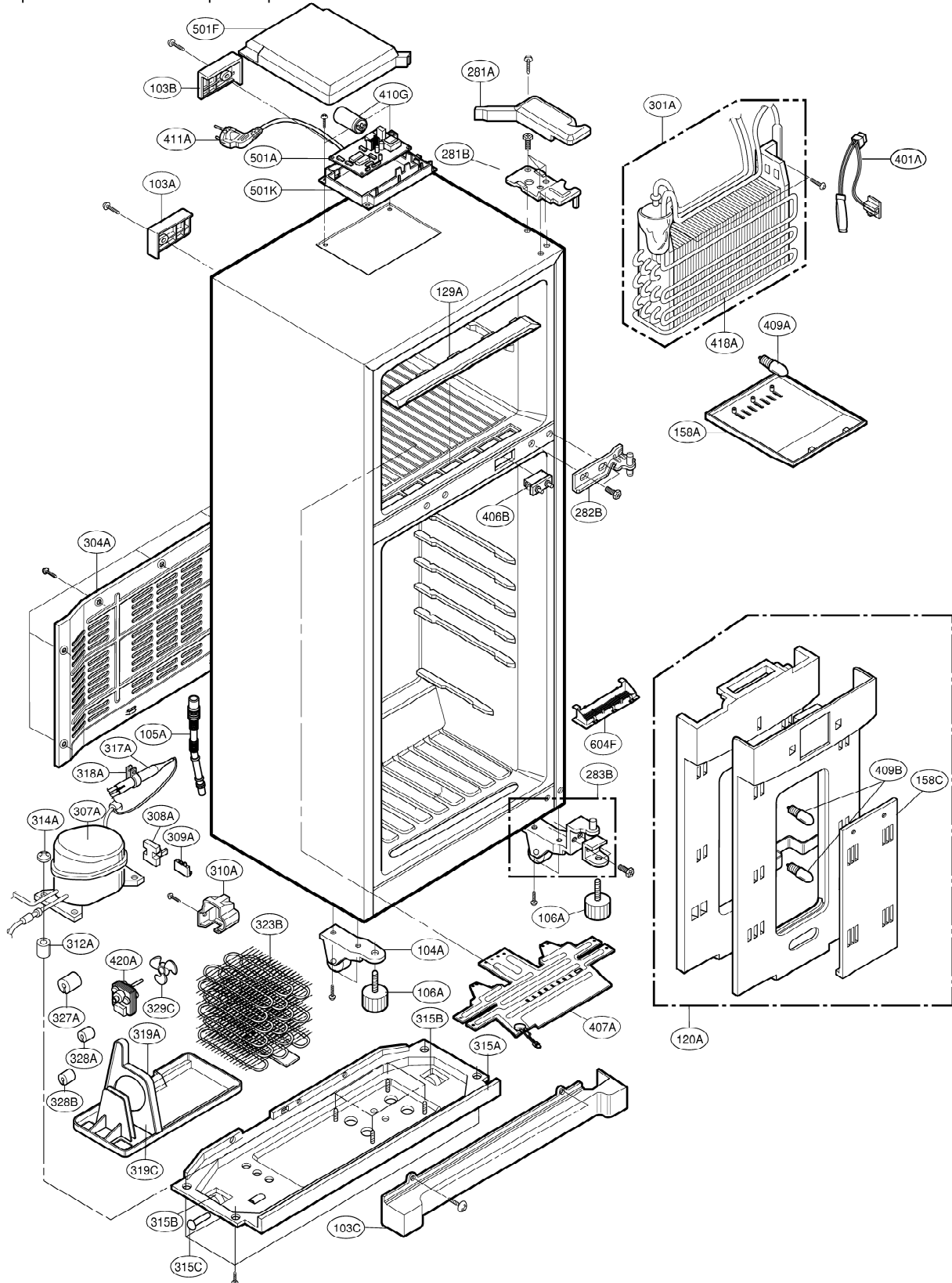


8. EXPLODED VIEW & REPLACEMENT PARTS LIST

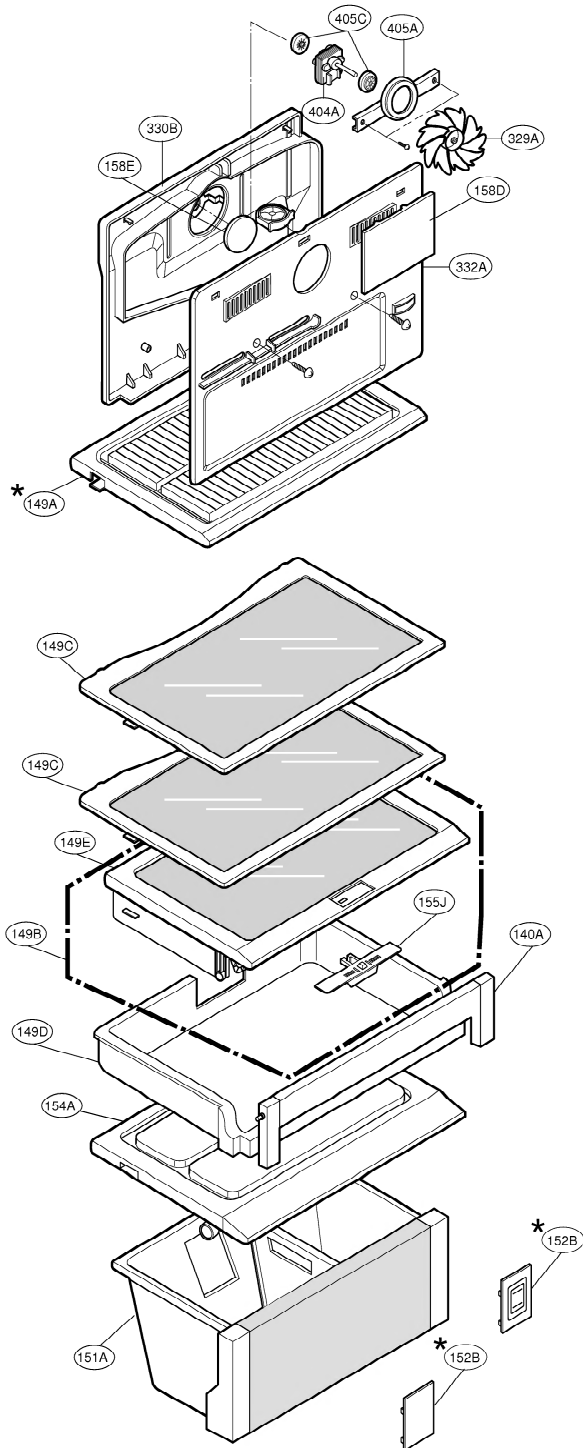
8-1.

▼ The parts of refrigerator and the shape of each part are subject to change in different localities.

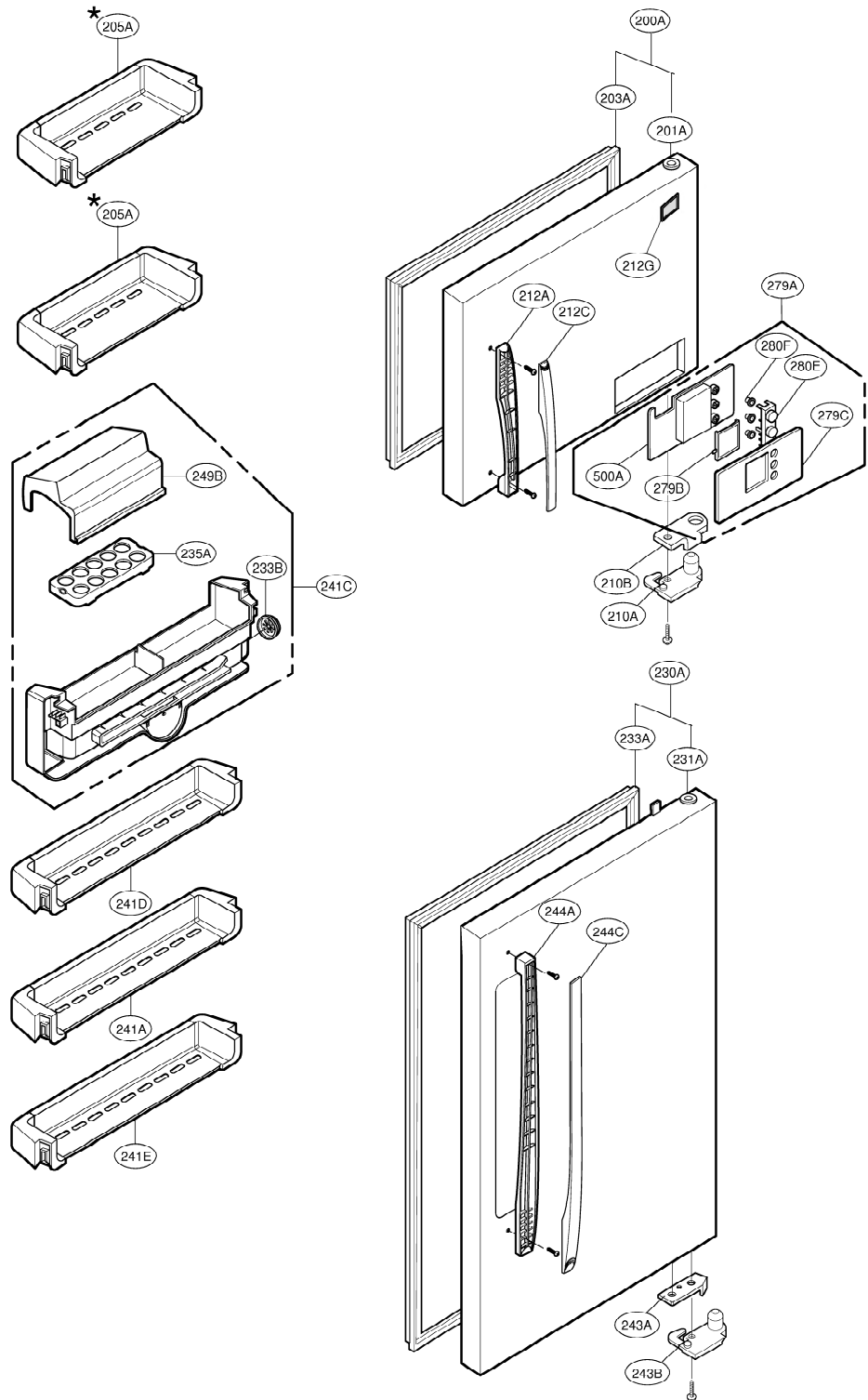
▼ Capacitors and fuse are optional parts.



► GN-M562Y*X/M602Y*X
GN-M562Y*Y/M602Y*Y



► GN-M562Y*X/M602Y*X
GN-M562Y*Y/M602Y*Y



► GN-M562Y*X/M602Y*X
GN-M562Y*Y/M602Y*Y

