

# SECTION 5 PARTS LIST

## 5.1 EXPLODED VIEW

### SAFETY PRECAUTION

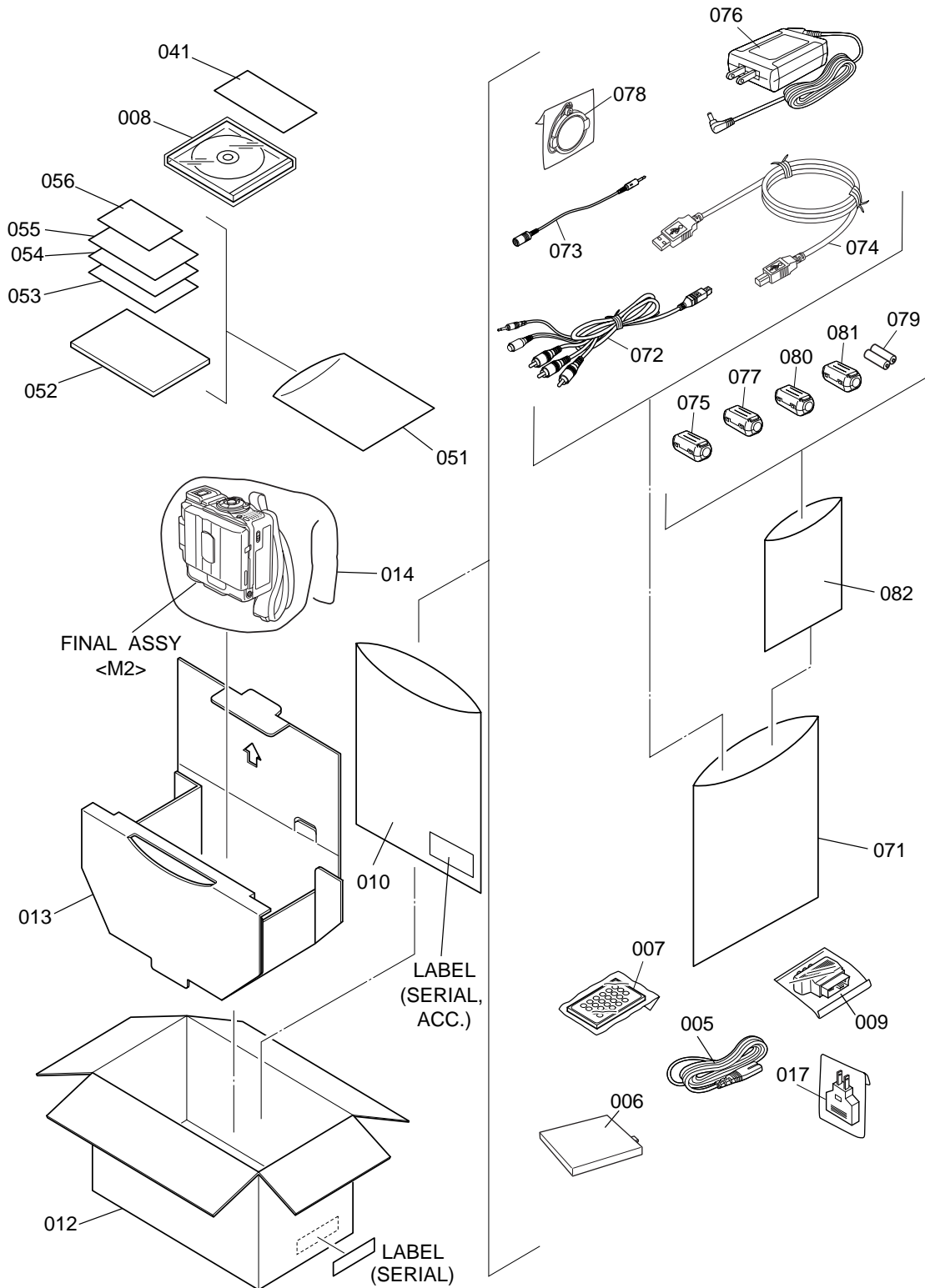
Parts identified by the  $\triangle$  symbol are critical for safety. Replace only with specified part numbers.

### BEWARE OF BOGUS PARTS

*Parts that do not meet specifications may cause trouble in regard to safety and performance. We recommend that genuine JVC parts be used.*

#### 5.1.1 PACKING AND ACCESSORY ASSEMBLY <M1>

The instruction manual to be provided with this product will differ according to the destination.



## 5.1.2 FINAL ASSEMBLY<M2>

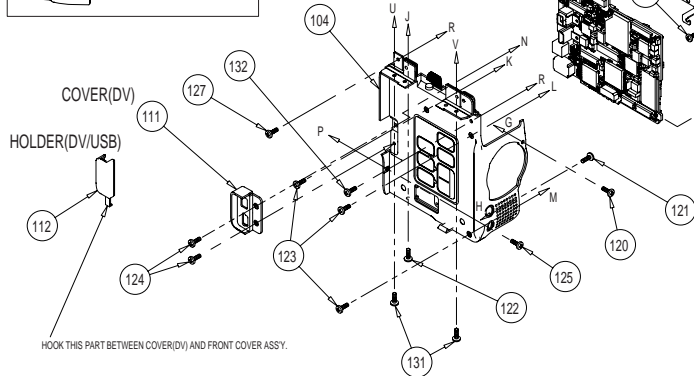
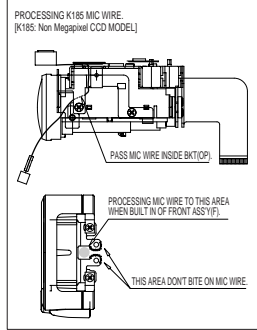
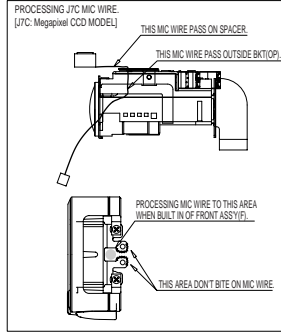
### <M2> FINAL ASS'Y

Table.1 WIRE(FPC) CONNECTION TABLE

PWB NAME	CN No.	ASSY NAME	WIRE(FPC)NAME
MAIN PWB ASSY	CN101	LOWER ASSY(F)	BATT TERM
MAIN PWB ASSY	CN102	LOWER ASSY(F)	CCD
MAIN PWB ASSY	CN103	MECHA(A) ASSY	LOAD MOTOR
MAIN PWB ASSY	CN104	MECHA(A) ASSY	DRUM MOTOR
MAIN PWB ASSY	CN106	MECHA(A) ASSY	SENSOR
MAIN PWB ASSY	CN107	MECHA(A) ASSY	R.ENC
MAIN PWB ASSY	CN108	MECHA(A) ASSY	CAPSTAN
MAIN PWB ASSY	CN109	LOWER ASSY(F)	SD PWB ASSY (CN301)
MAIN PWB ASSY	CN110	MECHA(A) ASSY	HEAD
MAIN PWB ASSY	CN111	LOWER ASSY(F)	CAMERA OPE
MAIN PWB ASSY	CN112	UPPER ASSY(G)	SLIDE OPE
MAIN PWB ASSY	CN115	UPPER ASSY(G)	MON PWB
MAIN PWB ASSY	CN114	MIC ASSY	MIC WIRE
MAIN PWB ASSY	CN115	FRONT ASSY(G)	STROBE PWB

TABLE OF SETTING TORQUE FOR SCREW DRIVER

PART NO.	SETTING TORQUE
(115)(116)(117)	0.07 ±0.01 N·m
OTHER SCREW	0.09 ±0.01 N·m



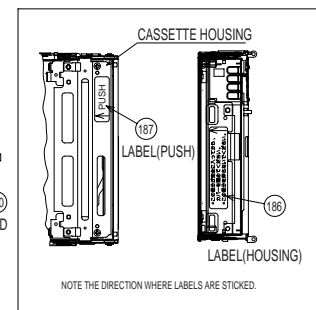
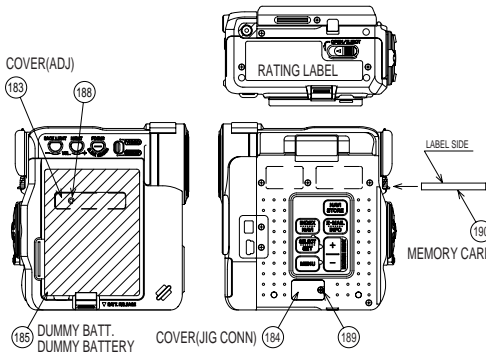
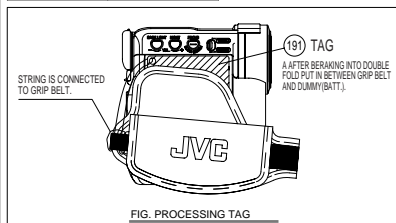
#### NOTES

- While assembling the SET, don't touch CLEANER ROLLER portion of MECHA ASSY.
- PREVENT THE MOTOR FPC FROM ENTERING IN FERNALLY IN THE DRUM UPPER BASE.
- OPEN CASSETTE COVER AND ASSEMBLE UPPER ASSY(G) AND FRONT ASSY(G).

FINAL ASS'Y LYH20619  
CLEANER ASS'Y LYH20615

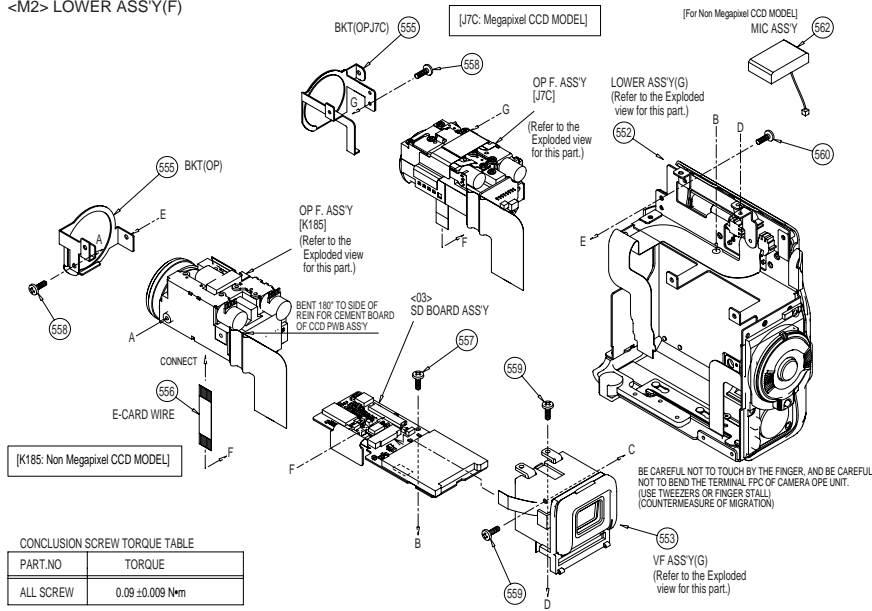
TABLE OF SETTING TORQUE FOR SCREW DRIVER

PART NO.	SETTING TORQUE
(188)(189)	0.069 ±0.007 N·m



### 5.1.3 LOWER ASSEMBLY(F) AND LOWER ASSEMBLY(G)<M2>

#### <M2> LOWER ASS'Y(F)



CONCLUSION SCREW TORQUE TABLE

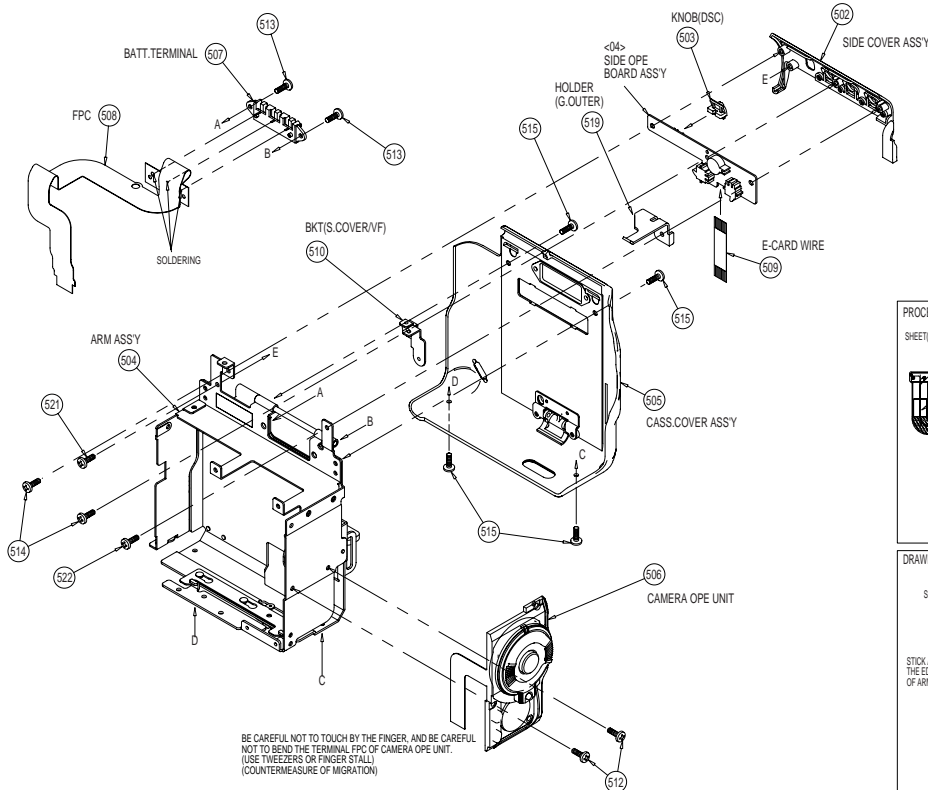
PART.NO	TORQUE
ALL SCREW	0.09 ±0.009 N·m

LOWER ASS'Y(F) LYH20622

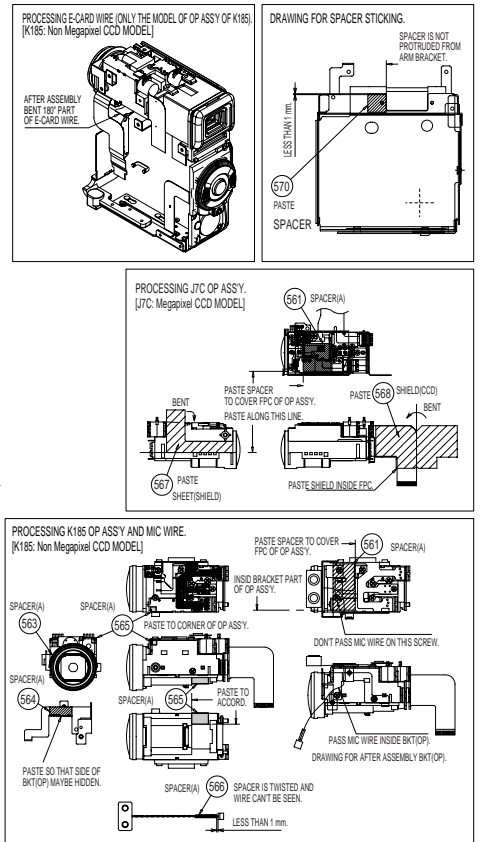
#### <M2> LOWER ASS'Y(G)

CONCLUSION SCREW TORQUE TABLE

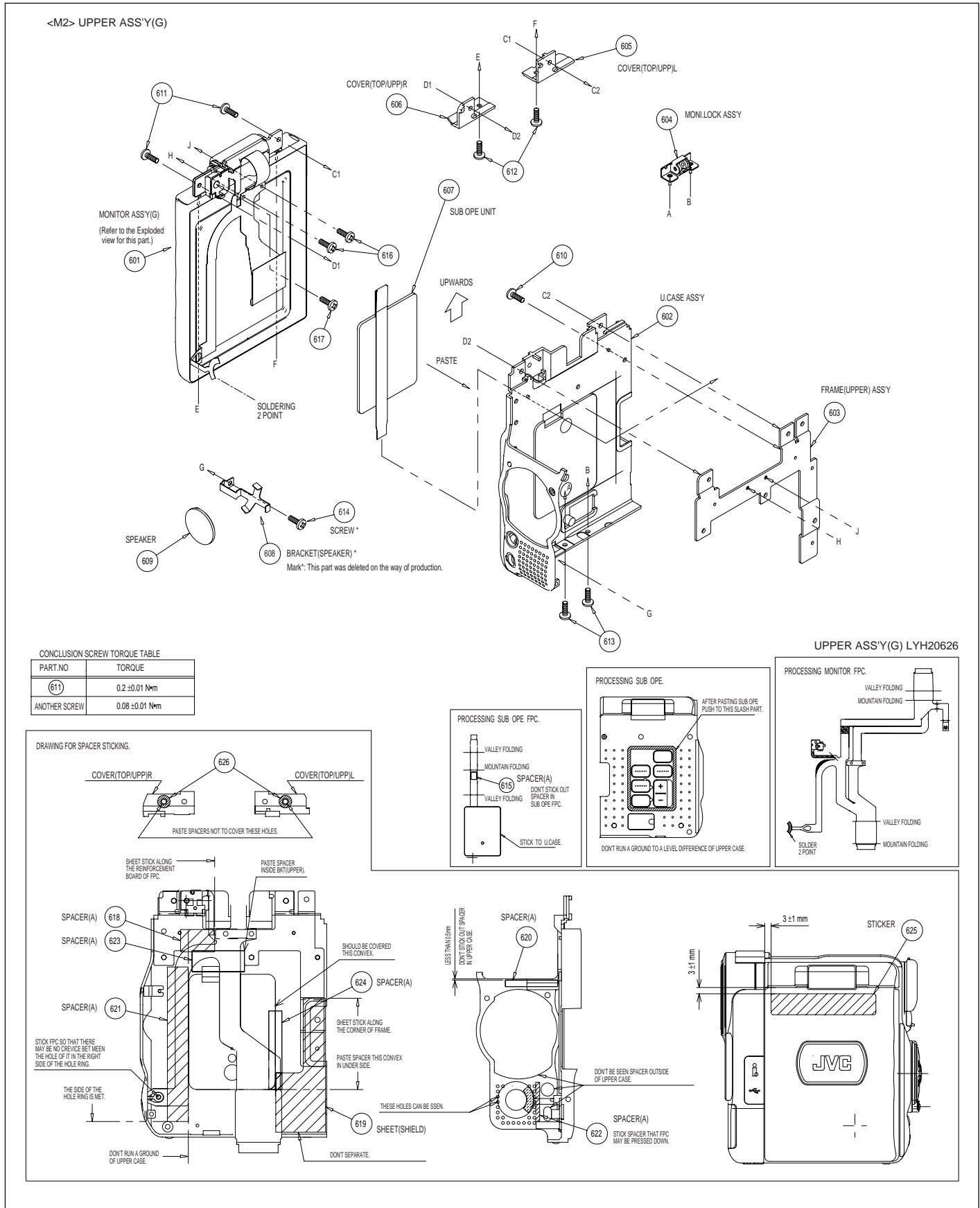
PART.NO	TORQUE
514	0.07 ±0.009 N·m
ANOTHER SCREW	0.12 ±0.01 N·m



LOWER ASS'Y(G) LYH20620

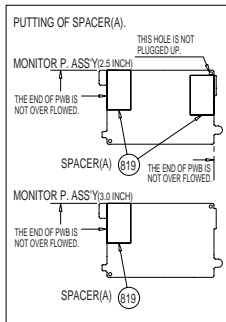
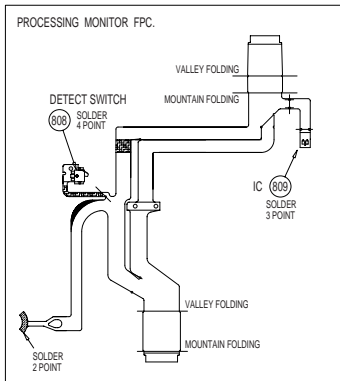


### 5.1.4 UPPER ASSEMBLY(G)<M2>



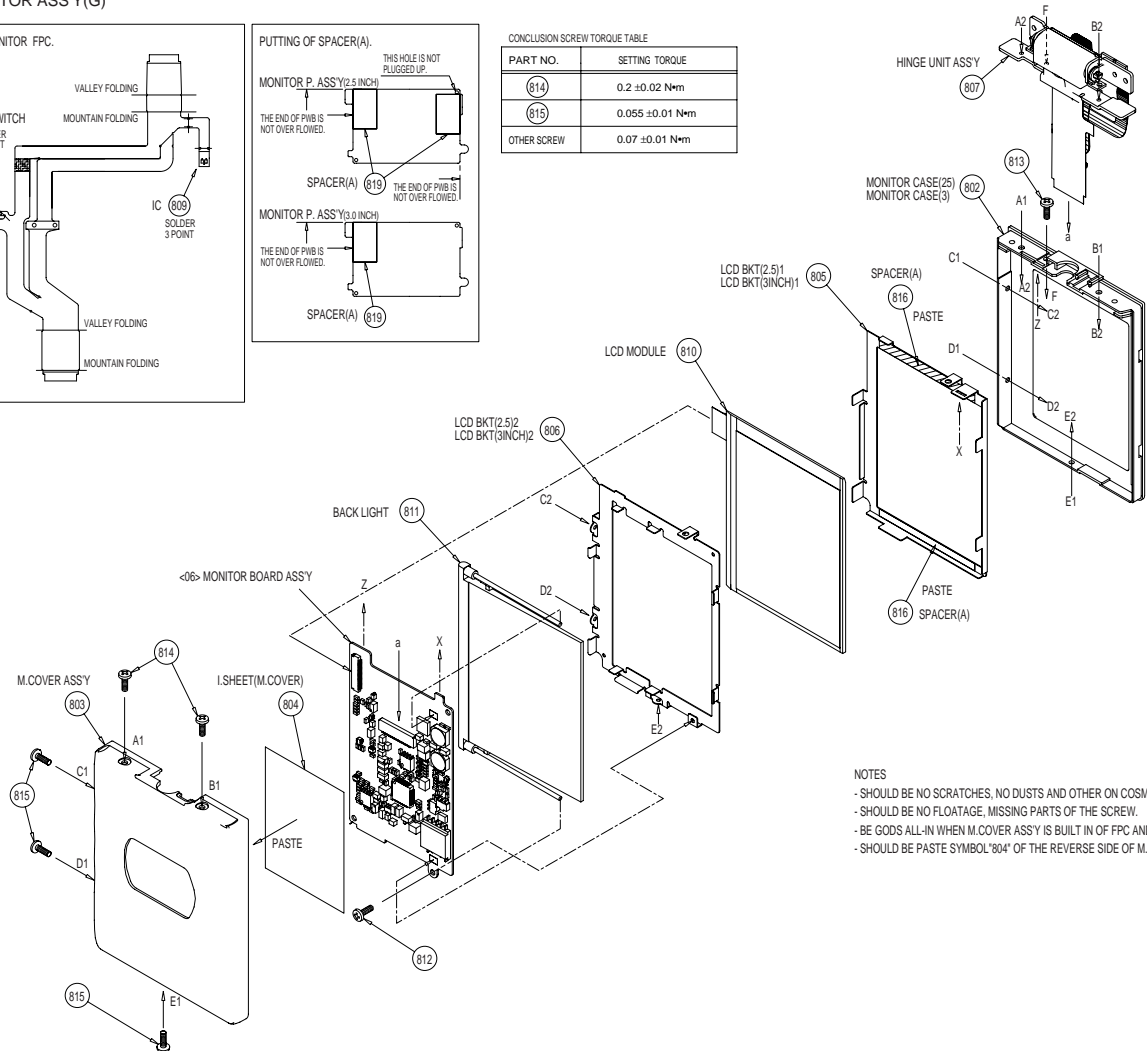
# 5.1.5 MONITOR ASSEMBLY(G)<M2>

## <M2> MONITOR ASS'Y(G)



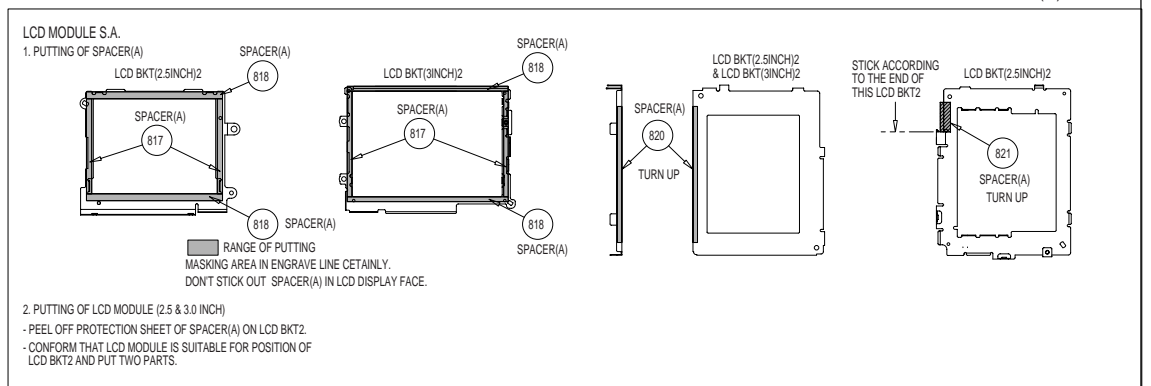
CONCLUSION SCREW TORQUE TABLE

PART NO.	SETTING TORQUE
⓪14	0.2 ±0.02 N•m
⓪15	0.055 ±0.01 N•m
OTHER SCREW	0.07 ±0.01 N•m

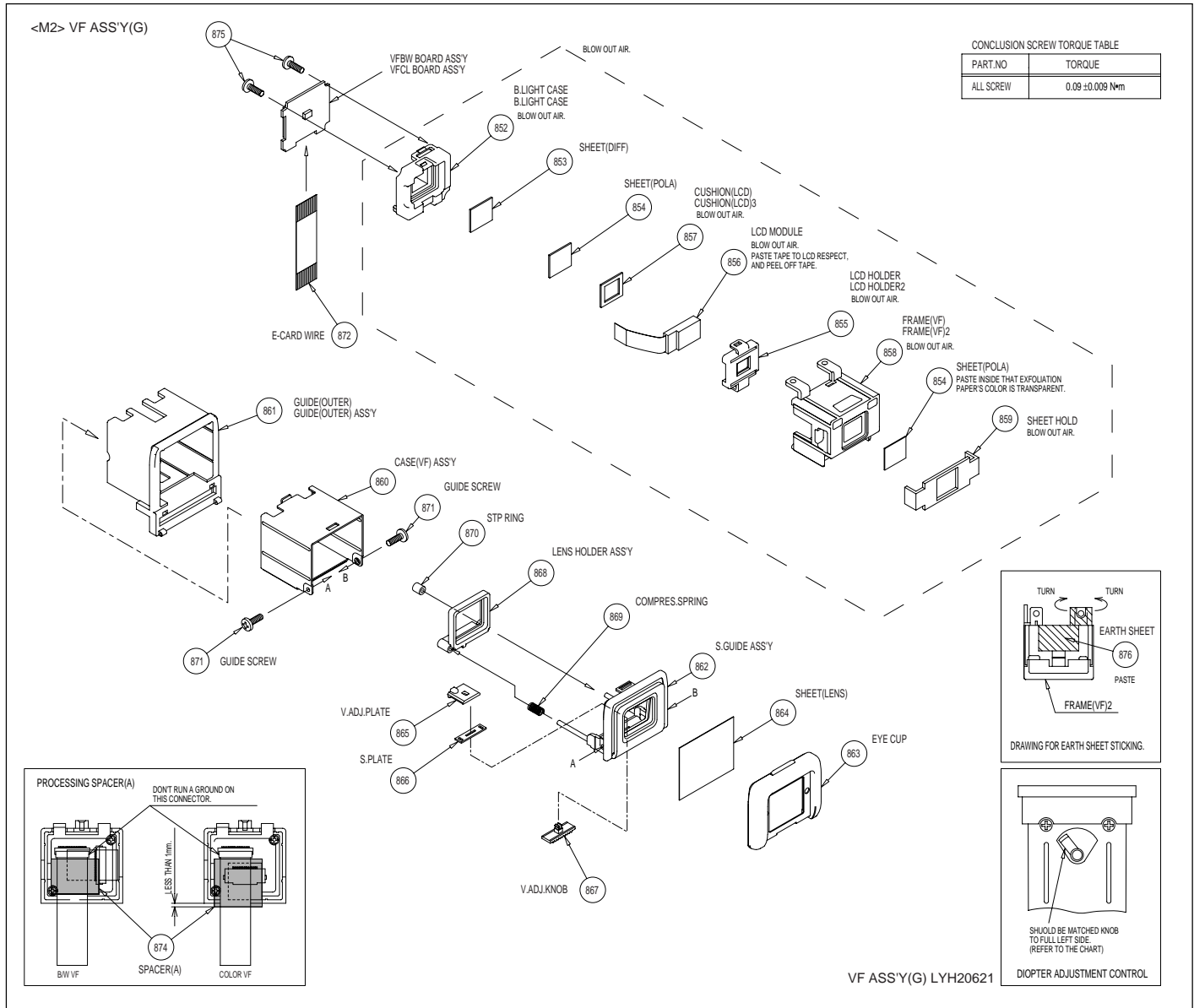


- NOTES
- SHOULD BE NO SCRATCHES, NO DUSTS AND OTHER ON COSMETIC COMPONENTS.
  - SHOULD BE NO FLOATAGE, MISSING PARTS OF THE SCREW.
  - BE GODS ALL-IN WHEN M.COVER ASSY IS BUILT IN OF FPC AND WIRE, ETC.
  - SHOULD BE PASTE SYMBOL'804' OF THE REVERSE SIDE OF M.COVER.

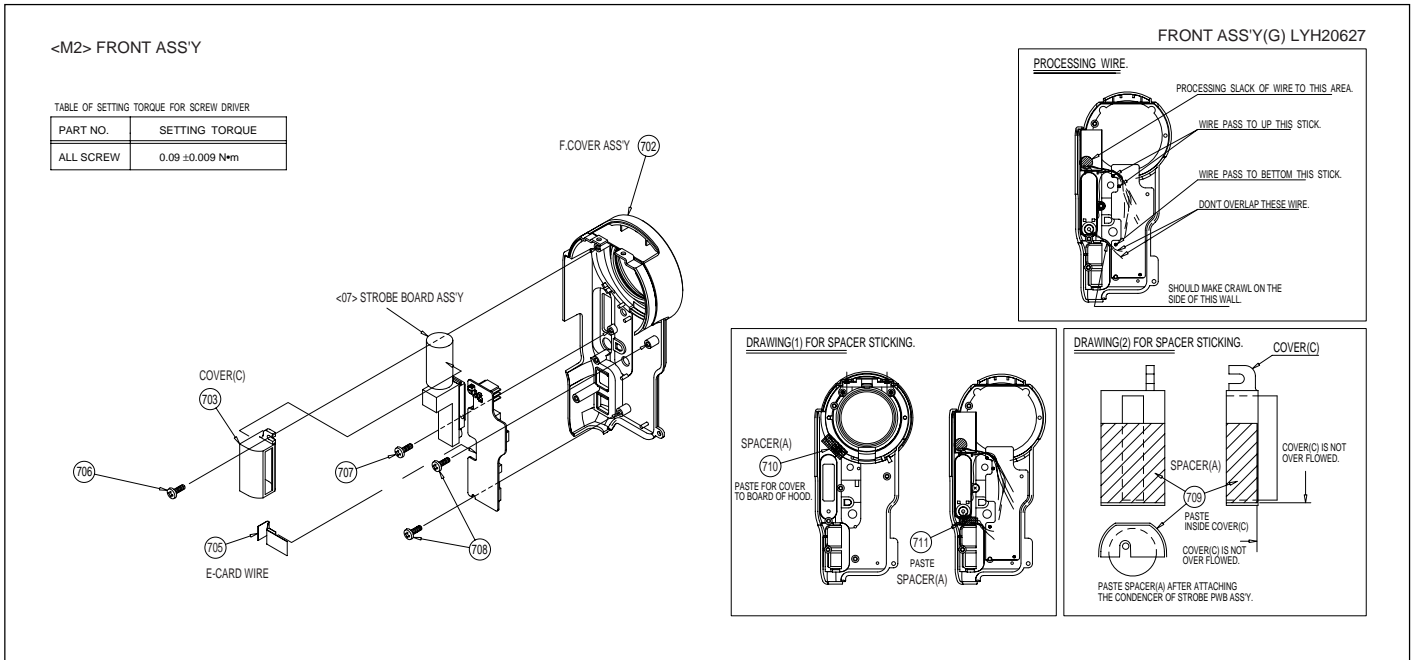
MONITOR ASS'Y(G) LYH20625



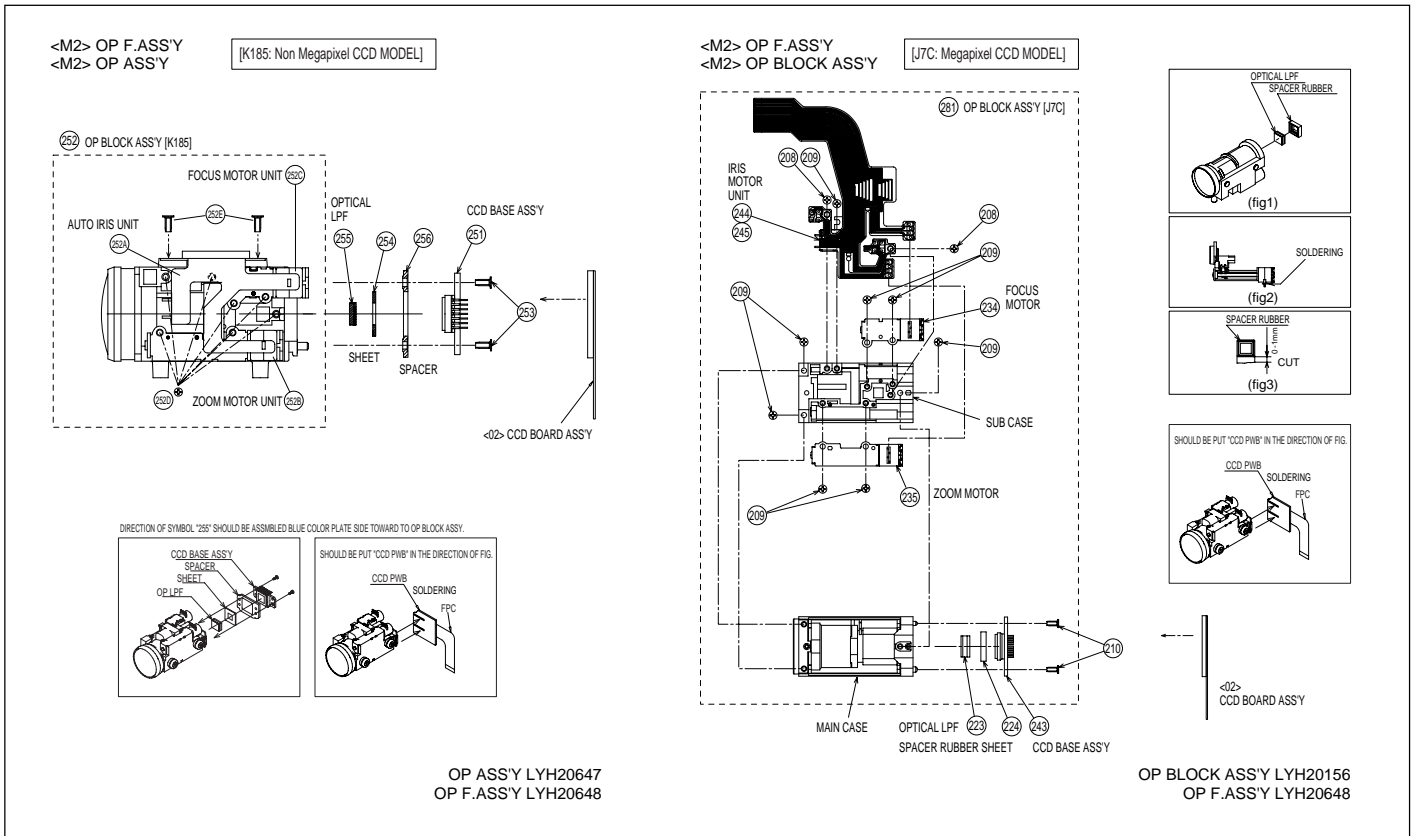
# 5.1.6 VF ASSEMBLY(G)<M2>



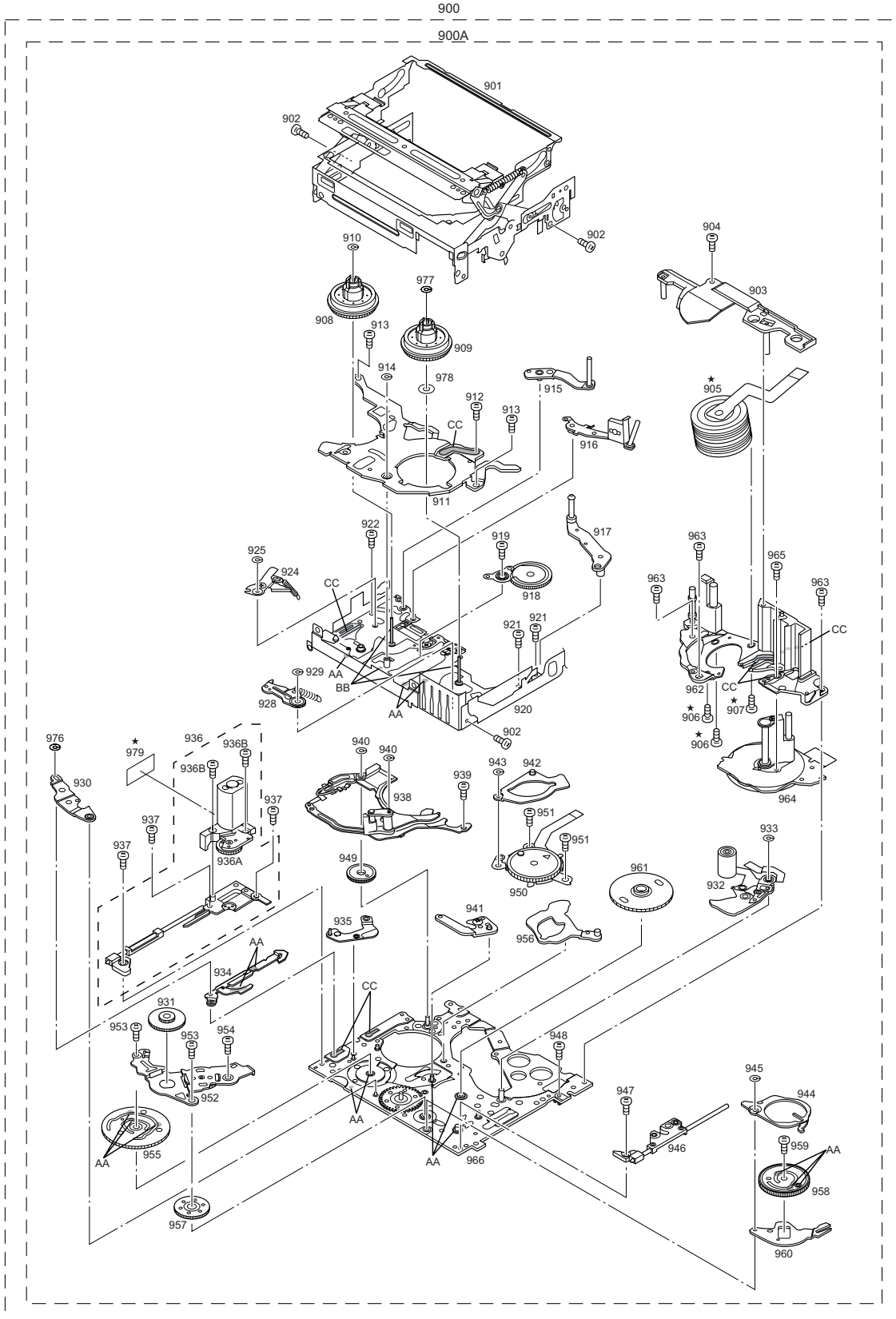
### 5.1.7 FRONT ASSEMBLY<M2>



### 5.1.8 OP F. ASSEMBLY, OP ASSEMBLY AND OP BLOCK ASSEMBLY<M2>



5.1.9 MECHANISM ASSEMBLY <M3>



Classification	Part No.	Symbol in drawing
Grease	KYODO-SH-JB	AA
Oil	YTU94027	BB
Grease (HANARL)	RX-410R	CC

**NOTE1:** The section marked in AA and BB, CC indicate lubrication and greasing areas.

**NOTE2:** Mark \* is not contained in 900A.



5.2 PARTS LIST

MODEL	MARK	MODEL	MARK
GR-DX25EK	A	GR-DX35EK	E
GR-DX25EX	B	GR-DX35EX	F
GR-DX25EY	C	GR-DX35EY	G
GR-DX25EZ	D	GR-DX35EZ	H

# △ REF No. PART No. PART NAME, DESCRIPTION

\*\*\*\*\*

PACKING AND ACCESSORY ASSEMBLY<M1>

△ 005	QMPL120-190-JR	POWER CORD,B,C,D,F,G,H
△ 005	QMPP110-190-JR	POWER CORD,A,E
△ 006	LY32203-003A	B.PACK ASSY,BN-V107U-S
007	LY20750-001A	REMOTE CTL UNIT,RM-V717U
008	LY32210-048A	CD ROM ASSY
009	QAM0302-001	ADAPTOR PLUG,PERI-RCAS
010	QPA02503505P	POLY BAG,ACC.
012	LY33433-006A	PACKING CASE,A,B,C,D
012	LY33433-006B	PACKING CASE,E,F,G,H
013	LY21053-001A	CUSHION,A,B,C,D
013	LY21053-001B	CUSHION,E,F,G,H
014	LY30023-003A	POLY BAG
041	BT-54013-5	WARRANTY CARD,B,C,D,F,G,H
041	BT-54008-5	GUARANTY CARD,A,E
051	QPA02003506	POLY BAG,DOCUMENT,B,C,D,F,G,H
051	YQM30061-3	POLY BAG,DOCUMENT,A,E
△ 052	LYT1120-001A	IB(EN),A,E
△ 052	LYT1120-002A	IB(GE),B,C,F,G
△ 052	LYT1120-003A	IB(FR),B,F
△ 052	LYT1120-004A	IB(DU),B,F
△ 052	LYT1120-005A	IB(SP),B,F
△ 052	LYT1120-006A	IB(IT),B,F
△ 052	LYT1120-007A	IB(DA),C,G
△ 052	LYT1120-008A	IB(FI),C,G
△ 052	LYT1120-009A	IB(SW),C,G
△ 052	LYT1120-010A	IB(NO),C,G
△ 052	LYT1120-011A	IB(RU),D,H
△ 052	LYT1120-012A	IB(CZ),D,H
△ 052	LYT1120-013A	IB(PO),D,H
△ 052	LYT1120-014A	IB(HU),D,H
053	LYT1086-001A	IB(SOFT.EN),A,E
053	LYT1086-002A	IB(SOFT.GE),B,C,F,G
053	LYT1086-003A	IB(SOFT.FR),B,F
053	LYT1086-004A	IB(SOFT.DU),B,F
053	LYT1086-005A	IB(SOFT.SP),B,F
053	LYT1086-006A	IB(SOFT.IT),B,F
053	LYT1086-007A	IB(SOFT.DA),C,G
053	LYT1086-008A	IB(SOFT.FI),C,G
053	LYT1086-009A	IB(SOFT.SW),C,G
053	LYT1086-010A	IB(SOFT.NO),C,G
053	LYT1086-011A	IB(SOFT.RU),D,H
054	LYT0194-001B	Q.CARD(JUK),A,E
055	YU30878	REGIST. CARD,A,E
056	LYT1119-015A	SHEET(ATT.VF.1),A,B,E,F
056	LYT1119-016A	SHEET(ATT.VF.2),C,D,G,H
071	QPA01703005	POLY BAG,CABLE ASSY
072	QAM0415-001	MULTI CABLE,MULTI
073	QAM0402-001	RM CABLE,EDIT EXT
074	QAM0451-001	USB CABLE,USB
075	QQR0491-002	CORE FILTER,USB 1T
△ 076	LY20955-001C	AC ADAPTER,AP-V13E
△ 076	or LY20956-001B	AC ADAPTER,AP-V11E
077	QQR0917-002	CORE FILTER
078	LY33346-001A	HOOD CAP ASSY
079	———	BATTERY,X2,FOR RCU
080	QQR0917-002	CORE FILTER,MULTI
082	LY30023-014A	POLY BAG,CORE FILT.

# △ REF No. PART No. PART NAME, DESCRIPTION

\*\*\*\*\*

FINAL ASSEMBLY<M2>

102	LY21036-003C	F.COVER ASSY,A,B,C,D
102	LY21036-003D	F.COVER ASSY,E,F,G,H
103	LYH20622-005A	LOWER ASSY(F),A,B,C,D
103	LYH20622-004B	LOWER ASSY(F),E,F,G,H
104	LYH20626-005A	UPPER ASSY(G),A,B,C,D
104	LYH20626-004C	UPPER ASSY(G),E,F,G,H
106	LY33332-001A	MIC COVER
108	LY44087-001A	MECHA BKT ASSY
109	LY33354-001A	SHIELD PLATE
110	LY43083-001A	BKT(PRE-REC)
111	LY33333-001A	COVER(DV)
112	LY33386-001C	HOLDER(DV/USB)
113	LY21032-001D	TOP COVER,A,B,C,D
113	LY21032-001E	TOP COVER,E,F,G,H
114	LY33318-001A	BRACKET(TOP)
115	LY30019-028A	SPECIAL SCREW,X3,MECHA-BKT
116	QYSPSPT1414M	SCREW,BKTP/R-MEC
117	LY30018-032A	SPECIAL SCREW,SH.P/R-M.B,A,B,C,D
117	LY30018-032A	SPECIAL SCREW,X2,SH.P/R-M.B,E,F,G,H
118	LY30018-032A	SPECIAL SCREW,X3,BKT(M)-ARM
119	LY30018-0K2A	SPECIAL SCREW,BKT(M)-BAS
120	LY30018-0D8A	SPECIAL SCREW,UP-C.OPE(U
121	LY30018-048A	SPECIAL SCREW,UP-C.OPE(L
122	LY30018-043B	SPECIAL SCREW,UP-BASE
123	LY30018-006B	SPECIAL SCREW,X3,UP-ARM
124	LY30018-0E4A	SPECIAL SCREW,X2,COV(D/U)-F
125	LY30018-0B7A	SPECIAL SCREW,UP-FR
126	LY30018-043B	SPECIAL SCREW,FR-ARM
127	LY30018-0E4A	SPECIAL SCREW,BKT(T)-ARM
128	LY30018-043B	SPECIAL SCREW,BKT(T)-FR(U
129	LY30018-043B	SPECIAL SCREW,X2,BKT(T-BK(F
130	LY30018-006B	SPECIAL SCREW,TOP-BKT(T)
131	LY30018-0B7A	SPECIAL SCREW,X2,TOP-CO(T/U
132	LY30018-0B7A	SPECIAL SCREW,UP-VF
133	LY30018-0B7A	SPECIAL SCREW,TOP-VF
134	QYSPSPT1730R	SCREW,FR-ARM
183	LY33383-001A	COVER(ADJ)
184	LY41393-005A	COVER(JIG CONN)
185	LY32884-002A	DUMMY BATTERY
186	LY32001-002A	LABEL(HOUSING)
187	LY40699-002A	LABEL(PUSH)
188	LY30018-043B	SPECIAL SCREW,X2,COV(ADJ-AR
189	LY30018-026A	SPECIAL SCREW,COV(JIG-UP
191	———	TAG,A,B,C,D
191	———	TAG,E,F,G,H

\*\*\*\*\*

OP ASSEMBLY<M2>

251	LYH20646-001A	CCD BASE ASSY
252	LY33085-002C	OP BLOCK ASSY
252A	PTY33085-006	AUTO IRIS UNIT
252B	LY30723-001B	ZOOM MOTOR UNIT
252C	LY30724-001B	FOCUS MOTOR UNIT
252D	PTY33085-001	SCREW,X7
252E	PTY31727-116	SCREW,X2
253	LY30018-0E7A	SPECIAL SCREW,X2
254	LY44005-001A	SHEET

MODEL	MARK	MODEL	MARK
GR-DX25EK	A	GR-DX35EK	E
GR-DX25EX	B	GR-DX35EX	F
GR-DX25EY	C	GR-DX35EY	G
GR-DX25EZ	D	GR-DX35EZ	H

#	△ REF No.	PART No.	PART NAME, DESCRIPTION
	255	LY44120-001A	OPTICAL LFP
	256	LY33288-001A	SPACER

\*\*\*\*\*

**LOWER ASSEMBLY(G)<M2>**

502	LY33305-003C	SIDE COVER ASSY
504	LY21028-001C	ARM ASSY
505	LY33316-001C	CASS.COVER ASSY
506	LY21031-001C	CAMERA OPE UNIT
507	LY32575-002A	BATT.TERNIMAL
508	QAL0467-001	FPC,BATT.FPC
509	WJT0104-001A	E-CARD WIRE,SIDE-SD
510	LY44140-001A	BKT(S.COVER/VF)
511	LY33439-001A	GRIP BELT
512	LY30018-0A2A	SPECIAL SCREW,X2,C.OPE-ARM
513	LY30018-0A2A	SPECIAL SCREW,X2,BATT-ARM
514	LY30018-063A	SPECIAL SCREW,X3,S.COV-S.PW,A,B,C,D
514	LY30018-063A	SPECIAL SCREW,X2,S.COV-S.PW,E,F,G,H
515	LY30018-0A2A	SPECIAL SCREW,X4,COVER-ARM
516	LY44213-001A	SHEET(BAT.FPC)
517	LY44216-001A	LABEL(C.COVER)
518	LY30030-059B	SPACER(A),X2
519	LY33587-001A	HOLDER(G.OUTER)
520	LY30030-0P8A	SPACER(A)
521	LY30018-021A	SPECIAL SCREW,SCOV-SPWBL,E,F,G,H
522	LY30018-060A	SPECIAL SCREW,HLDR-S.COV
523	LY33611-001A	CAP(GRIP BELT),E,F,G,H

**LOWER ASSEMBLY(F)<M2>**

552	LYH20620-005A	LOWER ASSY(G),A,B,C,D
552	LYH20620-004C	LOWER ASSY(G),E,F,G,H
553	LYH20621-005A	VF ASSY(G),A,B,C,D
553	LYH20621-004D	VF ASSY(G),E,F,G,H
555	LY33342-001A	BKT(OP)
556	WJT0113-001A	E-CARD WIRE,K185-SD
557	LY30018-032A	SPECIAL SCREW,SD-ARM
558	LY30018-019A	SPECIAL SCREW,OP-BKT(OP)
559	LY30018-006B	SPECIAL SCREW,X2,VF-BKT(VF)
560	LY30018-006B	SPECIAL SCREW,BKT(OP)-AR
561	LY30029-0P8A	SPACER(A),A,B,C,D
561	LY30030-0U2A	SPACER(A),FOR OPE,E,F,G,H
562	LY33392-001A	MIC ASSY
563	LY30030-0L8A	SPACER(A)
564	LY30030-0L9A	SPACER(A)
565	LY30030-0M1A	SPACER(A),X2
566	LY30030-0N4A	SPACER(A),FOR MICWIR

\*\*\*\*\*

**UPPER ASSEMBLY(G)<M2>**

601	LYH20625-005A	MONITOR ASSY(G),A,B,C,D
601	LYH20625-004B	MONITOR ASSY(G),E,F,G,H
602	LY33319-001D	U.CASE ASSY
603	LY33580-001A	FRAME(UPPER)AY
604	LY33320-001B	MONI.LOCK ASSY
605	LY44136-001B	COVER(TOP/UPP)JL
606	LY44137-001B	COVER(TOP/UPP)R
607	LY33322-002C	SUB OPE UNIT
608	LY33425-001C	BRACKET(SPEAKER,A,B,C,D

#	△ REF No.	PART No.	PART NAME, DESCRIPTION
	609	QAS0132-002	SPEAKER
	610	LY30018-043B	SPECIAL SCREW,X2,UPPER-FRM,A,B,C,D
	610	LY30018-043B	SPECIAL SCREW,UPPER-FRM,E,F,G,H
	611	LY30018-068A	SPECIAL SCREW,X2,UPPER-HING
	612	LY30018-043B	SPECIAL SCREW,X2,C(T/U)-HIN
	613	LY30018-043B	SPECIAL SCREW,X2,UPPER-M.LO
	614	LY30018-026A	SPECIAL SCREW,UPP-BKT(SPA,B,C,D
	615	LY30030-0A9A	SPACER(A),SUB OP FPC
	616	LY30018-032A	SPECIAL SCREW,X2,MFPC-UFRM
	617	LY30018-0D8A	SPECIAL SCREW,X2,MONSW-UPPR
	618	LY30030-0F4A	SPACER(A)
	619	LY44237-001A	SHEET(SHIELD),A,B,C,D
	619	LY44237-001B	SHEET(SHIELD),E,F,G,H
	620	LY30030-0K9A	SPACER(A),UPP BSIDE,A,B,C,D
	620	LY30030-0K9B	SPACER(A),UPP BSIDE,E,F,G,H
	621	LY30030-0M9A	SPACER(A),UP-SPK1,A,B,C,D
	621	LY30030-0V1A	SPACER(A),UP-SPK1,E,F,G,H
	622	LY30030-0N1A	SPACER(A),UP-SPK2
	623	LY30030-0N2A	SPACER(A),FOR MONIFP
	624	LY30030-0N3A	SPACER(A),FOR MONIFP,A,B,C,D
	624	LY30030-0V2A	SPACER(A),FOR MONIFP,E,F,G,H
	625	LY44295-001A	STICKER
	626	LY30017-022A	SPACER-B,X2,COVER T/U,E,F,G,H

\*\*\*\*\*

**MONITOR ASSEMBLY(G)<M2>**

802	LY21052-001C	MONITOR CASE(25
803	LY33324-001C	M.COVER ASSY
804	LY43438-001A	I.SHEET(M.COVER,M.COV B.S
805	LY33422-001A	LCD BKT(2.5)1
806	LY33423-001A	LCD BKT(2.5)2
807	LY33327-001B	HINGE UNIT ASSY,A,B,C,D
807	LY33327-001C	HINGE UNIT ASSY,E,F,G,H
808	NSW0122-001X	DETECT SWITCH
809	DN8797MS-X	IC
810	QLD0272-001	LCD MODULE
811	QLL0153-001	BACK LIGHT
812	LY30018-070A	SPECIAL SCREW,BK(LCD-M.P
813	LY30018-070A	SPECIAL SCREW,M.CAS-HIN
814	LY30018-028A	SPECIAL SCREW,X2,HIN-M.COV
815	LY30018-0A2A	SPECIAL SCREW,X3,M.COV-BK(2
816	LY30030-0F8A	SPACER(A),X2,LCD-BKT1-V
817	LY30030-0F8A	SPACER(A),X2,LCD-BKT2
818	LY30030-0F9A	SPACER(A),X2,LCD-BKT1-H
819	LY30030-0M6A	SPACER(A),X2
820	LY30030-0K7A	SPACER(A),BKT1-MCASE
821	LY30030-0P3A	SPACER(A),BKT2(FPC

\*\*\*\*\*

**VF ASSEMBLY(G)<M2>**

852	LY33384-001A	B.LIGHT CASE2
853	LY44100-001A	SHEET(DIFF)
854	LY44098-001A	SHEET(POLA),X2
855	LY33335-001B	LCD HOLDER2
856	QLD0193-002	LCD MODULE
857	LY33401-001B	CUSHION(LCD),A,B,C,D
857	LY44319-001A	CUSHION(LCD)3,E,F,G,H
858	LY21047-001C	FRAME(VF)2
859	LY33341-001A	SHEET HOLD

MODEL	MARK	MODEL	MARK
GR-DX25EK	A	GR-DX35EK	E
GR-DX25EX	B	GR-DX35EX	F
GR-DX25EY	C	GR-DX35EY	G
GR-DX25EZ	D	GR-DX35EZ	H

#	△ REF No.	PART No.	PART NAME, DESCRIPTION
860		LY33382-002A	CASE(VF)ASSY,A,B,C,D
860		LY33382-002B	CASE(VF)ASSY,E,F,G,H
861		LY21046-002A	GUIDE(OUTER)
862		LY33345-001C	S.GUIDE ASSY
863		LY33432-001A	EYE CUP
864		LY44097-001A	SHEET(LENS)
865		LY33379-001A	V.ADJ.PLATE,A,B,C,D
865		LY33379-001B	V.ADJ.PLATE,E,F,G,H
866		LY44102-001A	S.PLATE
867		LY33378-001A	V.ADJ.KNOB
868		LY44103-001A	LENS HOLDER AY,A,B,C,D
868		LY44103-001B	LENS HOLDER AY,E,F,G,H
869		LY30002-055A	COMPRES. SPRING,X2
870		LY44095-001B	STP RING
871		LY44096-001A	GUIDE SCREW,X2
872		WJT0111-001A	E-CARD WIRE
874		LY30030-0A8A	SPACER(A)
875		LY30018-0B7A	SPECIAL SCREW,X2
876		LY44287-001A	EARTH SHEET

#	△ REF No.	PART No.	PART NAME, DESCRIPTION
939		YQ43893	MINI SCREW
940		YQ44246	SLIT WASHER (x2)
941		LY32843-001A	SLIDE LEVER2 ASSY
942		LY43690-001A	LOADING PLATE ASSY
943		YQ44246	SLIT WASHER
944		LY32858-001A	EJECT LEVER
945		YQ44246	SLIT WASHER
946		LYH40271-001A	BASE R ASSY
947		YQ43893	MINI SCREW
948		LY41945-001B	MINI SCREW
949		LY43665-001A	MODE GEAR
950		QSW0876-003	ROTARY ENCODER
951		YQ43893	MINI SCREW (x2)
952		LY32860-001A	GEAR COVER ASSY
953		YQ43893	MINI SCREW (x2)
954		YQ43893-4	MINI SCREW
955		LY43676-001A	MAIN CAM ASSY
956		LY41941-001B	SLIDE ARM ASSY
957		LY43678-001A	CONNECT GEAR 2
958		LY41954-001C	SUB CAM ASSY
959		LY42120-001A	MINI SCREW
960		LY43692-001A	CONTROL ARM ASSY
961		LY32859-001A	REEL GEAR 1
962		LY31508-002B	DRUM BASE ASSY
963		QYSPSPU1425M	SCREW 1.4mm x 2.5mm(x3)
964		QAR0142-001	CAPSTAN MOTOR
965		YQ43893	MINI SCREW
966		LY10367-001D	MAIN DECK ASSY
976		YQ44246	SLIT WASHER
977		YQ44246-6	SLIT WASHER
978		LY42047-005A	WASHER
979		LY43987-001B	SPACER

\*\*\*\*\*

**MECHANISM ASSEMBLY<M3>**

900		YMA0029H	MECHA(A)ASSY
900A		YMA0029D	MECHA(A)ASSY
901		LY32870-001G	CASSETTEHOUSING ASSY
902		YQ43893-8	MINI SCREW (x3)
903		LYH30420-001A	UPPER BASE ASSY
904		QYSPSPU1425M	SCREW
905		YDV2102B	DRUM ASSY
906		LY42820-001A	DAMP.SCREW ASSY (x2)
907		LY42820-002A	DAMP.SCREW ASSY
908		LY31538-001F	REEL DISK ASSY
909		LY31538-002H	REEL DISK ASSY
910		YQ44246	SLIT WASHER
911		LY10372-001D	REEL COVER ASSY
912		LY42120-002A	MINI SCREW
913		LY41945-003A	MINI SCREW (x2)
914		YQ44246	SLIT WASHER
915		LY43725-001D	TENSION ARM ASSY
916		LYH40269-001A	SLANT POLE ARM ASSY
917		LY43731-001F	TU ARM ASSY
918		LY31531-001D	SWING ARM ASSY
919		YQ43893	MINI SCREW
920		LYH30424-001A	SLIDE DECK FINAL ASSY
921		YQ43893	MINI SCREW (x2)
922		LY43023-001A	MINI SCREW
924		LYH30419-001A	PAD ARM ASSY
925		YQ44246	SLIT WASHER
928		LYH40270-001A	TU BRAKE ASSY
929		YQ44246	SLIT WASHER
930		LY43684-001A	TENSION CONTROL LEVER ASSY
931		LY32861-001A	CENTER GEAR
932		LY31516-001F	PINCH ROLLER ARM FINAL ASSY
933		YQ44246	SLIT WASHER
934		LY43681-001A	TENSION CONTROL PLATE ASSY
935		LY43687-001A	BRAKE CONTROL LEVER ASSY
936		LYH30421-001A	MOTOR BRACKET ASSY
936A		QAR0138-001	LOADING MOTOR
936B		LY41940-001A	TAPPING SCREW (x2)
937		YQ43893	MINI SCREW (x3)
938		LYH30422-001A	GUIDE RAIL ASSY

MODEL	MARK	MODEL	MARK
GR-DX25EK	A	GR-DX35EK	E
GR-DX25EX	B	GR-DX35EX	F
GR-DX25EY	C	GR-DX35EY	G
GR-DX25EZ	D	GR-DX35EZ	H

# △ REF No. PART No. PART NAME, DESCRIPTION  
 \*\*\*\*\*

**MAIN BOARD ASSEMBLY <01>**

PW1	YB10427B-02	MAIN PWB ASS'Y,01,A,B,C,D
PW1	YB10427A-08	MAIN PWB ASS'Y,01,E,F,G,H
IC1001	MN103S33NJH	IC(MICRO C ROM),MASK,A,B,C,D
IC1001	MN103S33NJG	IC(MICRO C ROM),MASK,E,F,G,H
IC1001	or MN103SF33NY4JH	IC(MICRO C ROM),FLASH,A,B,C,D
IC1001	or MN103SF33NY4JG	IC(MICRO C ROM),FLASH,E,F,G,H
IC1002	MB90097PFV149-X	IC(MICRO C ROM),MB90099
IC1003	SN74AHC1G00K-X	IC
IC1004	NJU7108F3-X	IC
IC1005	25LC320X-I/ST-X	IC
IC1006	RS5C314-X	IC
IC1007	IC-PST3423U-X	IC
IC1007	or S-80823CNNB-X	IC
IC1601	BD6637KS	IC,MDA BD6637
IC1701	LM358DR2-X	IC,REELAMP5V
IC1702	BA10393F-XE	IC,REELSMT
IC1801	BA10358FVM-W	IC,IR AMP
IC1851	RPM7138	IR DETECT UNIT,IR
IC2101	BU7800FV-X	IC
IC2201	AK4564VQ	IC
IC3001	JCY0152	IC,JCY0152
IC3002	BU2501FV-X	IC
IC3005	JCY0136-X	IC,JCY0136-X
IC3501	JCY0132	IC
IC3502	SN74AHC1G04K-X	IC
IC3701	BA7665FS-X	IC
IC3701	or BA7665AFS-X	IC
IC3731	MM1504XN-X	IC,E,F,G,H
IC3801	JCP8055	IC,A,B,C,D
IC3801	JCP8045	IC(DIGITAL),E,F,G,H
IC4201	HD49340NP-X	IC,CDS/AD QFN
IC4202	MM1613AN-X	IC,REG 3V
IC4301	JCY0200	IC,CAM DSP
IC4302	R1160N151B-X	IC,REG 1.5V
IC5501	JCY0185	IC,TG/VDR
IC6001	S-80842CNNB-W	IC
IC6002	S-817A33ANB-W	IC
IC6003	R1224N102G-X	IC
IC6101	FA3698F	IC,SW_REG IC
IC8701	PIX-MC10	IC,100PIN0.5P
IC8702	MT48LC1M16TG-7S	IC,SDRAM16M
IC8702	or MT48LC1M16TG-6S	IC
Q2801	UMX1N-W	PAIR TRANSISTOR
Q1001	DTA114EE-X	DIGI TRANSISTOR
Q1001	or PDTA114EE-X	DIGI TRANSISTOR
Q1001	or RN2102-X	DIGI TRANSISTOR
Q1002	UMC3N-W	DIGI TRANSISTOR
Q1003	UMC3N-W	DIGI TRANSISTOR
Q1004	UMC3N-W	DIGI TRANSISTOR
Q1005	DTC143XE-X	DIGI TRANSISTOR
Q1006	UMC3N-W	DIGI TRANSISTOR
Q1007	2SC4617/QR/-X	TRANSISTOR
Q1008	DTC124EE-X	DIGI TRANSISTOR
Q1008	or PDTC124EE-X	DIGI TRANSISTOR
Q1009	2SJ347-X	MOS FET
Q1010	DTC143EE-X	DIGI TRANSISTOR
Q1601	UMC3N-W	DIGI TRANSISTOR,LD ON
Q1801	RPM-22PB	PHOTO TRANSISTO
Q2401	2SC4617/QR/-X	TRANSISTOR

# △ REF No.	PART No.	PART NAME, DESCRIPTION
Q2403	2SC4617/QR/-X	TRANSISTOR
Q3001	2SC4617/RS/-X	TRANSISTOR
Q3002	2SC4617/RS/-X	TRANSISTOR
Q3701	UMT1N-W	PAIR TRANSISTOR
Q3701	or XP4401-W	TRANSISTOR
Q3702	UMZ1N-W	PAIR TRANSISTOR
Q3702	or XP4601-W	TRANSISTOR
Q3704	2SA1774/RS/-X	TRANSISTOR
Q3705	UMT1N-W	PAIR TRANSISTOR
Q3705	or XP4401-W	TRANSISTOR
Q3731	2SC4617/RS/-X	TRANSISTOR,E,F,G,H
Q3731	or 2SD2216J/RS/-X	TRANSISTOR,E,F,G,H
Q3732	DTC144EE-X	DIGI TRANSISTOR,E,F,G,H
Q3732	or UN9213J-X	DIGI TRANSISTOR,E,F,G,H
Q3732	or RN1104-X	DIGI TRANSISTOR,E,F,G,H
Q3732	or PDTC144EE-X	DIGI TRANSISTOR,E,F,G,H
Q3733	UMZ1N-W	PAIR TRANSISTOR,E,F,G,H
Q3733	or XP4601-W	TRANSISTOR,E,F,G,H
Q3734	2SC4617/RS/-X	TRANSISTOR,E,F,G,H
Q3734	or 2SD2216J/RS/-X	TRANSISTOR,E,F,G,H
Q3735	UMZ1N-W	PAIR TRANSISTOR,E,F,G,H
Q3735	or XP4601-W	TRANSISTOR,E,F,G,H
Q6001	DTC144EE-X	DIGI TRANSISTOR
Q6001	or RN1104-X	DIGI TRANSISTOR
Q6001	or PDTC144EE-X	DIGI TRANSISTOR
Q6001	or UN9213J-X	DIGI TRANSISTOR
Q6002	MCH6613-W	MOS FET
Q6003	FML9-W	TRANSISTOR
Q6201	QS6U24-W	MOS FET
Q6202	2SA1577/RS/-X	TRANSISTOR
Q6203	QS6U24-W	MOS FET
Q6204	QS6U24-W	MOS FET
Q6205	CPH3101-X	TRANSISTOR
Q6206	DTC124TE-X	DIGI TRANSISTOR
Q6206	or UN9210J-X	DIGI TRANSISTOR
Q6207	QS6U24-W	MOS FET
Q6208	QS6U24-W	MOS FET
Q6209	CPH3314-X	MOS FET
Q6210	HN1C01FU/G/-X	PAIR TRANSISTOR
Q6210	or PUMX1-W	PAIR TRANSISTOR
Q6210	or UMX1N-W	PAIR TRANSISTOR
Q6211	2SA1577/RS/-X	TRANSISTOR
Q6213	HN1A01FU/G/-X	PAIR TRANSISTOR
Q6213	or PUMT1-W	PAIR TRANSISTOR
Q6213	or UMT1N-W	PAIR TRANSISTOR
Q6214	2SC4617/RS/-X	TRANSISTOR
Q6701	CPH3314-X	MOS FET
D2807	RSA6.1J4-W	SI DIODE
D1001	DA221-X	SI DIODE
D1602	DAP222-X	SI DIODE,LD OUT
D1602	or MA132WA-X	SI DIODE
D1603	DAP222-X	SI DIODE,LD ON
D1603	or MA132WA-X	SI DIODE
D1604	DAP222-X	SI DIODE,C.ERR-3V
D1604	or MA132WA-X	SI DIODE
D1801	SML-711UW-X	LED,TALLY
D3001	EC2C01C-X	VARI CAP DIODE
D3002	EC2C01C-X	VARI CAP DIODE
D3003	EC2C01C-X	VARI CAP DIODE
D3004	MA2Z720-X	SB DIODE
D5501	1SS355-X	SI DIODE
△ D6001	RB706D-40-X	SB DIODE
△ D6002	RB715F-X	SB DIODE

MODEL	MARK	MODEL	MARK
GR-DX25EK	A	GR-DX35EK	E
GR-DX25EX	B	GR-DX35EX	F
GR-DX25EY	C	GR-DX35EY	G
GR-DX25EZ	D	GR-DX35EZ	H

#	△ REF No.	PART No.	PART NAME, DESCRIPTION	#	△ REF No.	PART No.	PART NAME, DESCRIPTION
	D6201	RB480Y-W	SB DIODE		R1071	NRSA6AJ-272W	MG RESISTOR 2.7kΩ, 1/16W
	D6203	RB480Y-W	SB DIODE		R1072	NRSA6AJ-183W	MG RESISTOR 18kΩ, 1/16W
	D6701	EP10HY03-X	SB DIODE		R1073	NRSA6AJ-103W	MG RESISTOR 10kΩ, 1/16W
	D6702	EP10HY03-X	SB DIODE		R1074	NRSA6AJ-472W	MG RESISTOR 4.7kΩ, 1/16W
	R1001	NRSA6AJ-105W	MG RESISTOR 1MΩ, 1/16W		R1075	NRSA6AJ-473W	MG RESISTOR 47kΩ, 1/16W
	R1002	NRSA6AJ-104W	MG RESISTOR 100kΩ, 1/16W		R1076	NRSA6AJ-473W	MG RESISTOR 47kΩ, 1/16W
	R1003	NRSA6AJ-104W	MG RESISTOR 100kΩ, 1/16W		R1077	NRSA6AJ-104W	MG RESISTOR 100kΩ, 1/16W
	R1006	NRSA6AJ-102W	MG RESISTOR 1kΩ, 1/16W		R1078	NRSA6AJ-393W	MG RESISTOR 39kΩ, 1/16W
	R1007	NRSA6AJ-0R0W	MG RESISTOR 0Ω, 1/16W		R1079	NRSA6AJ-223W	MG RESISTOR 22kΩ, 1/16W
	R1008	NRSA6AJ-103W	MG RESISTOR 10kΩ, 1/16W		R1080	NRSA6AJ-822W	MG RESISTOR 8.2kΩ, 1/16W
	R1009	NRSA6AJ-103W	MG RESISTOR 10kΩ, 1/16W		R1081	NRSA6AJ-103W	MG RESISTOR 10kΩ, 1/16W
	R1010	NRSA6AJ-0R0W	MG RESISTOR 0Ω, 1/16W		R1082	NRSA6AJ-123W	MG RESISTOR 12kΩ, 1/16W
	R1012	NRSA6AJ-102W	MG RESISTOR 1kΩ, 1/16W		R1083	NRSA6AJ-102W	MG RESISTOR 1kΩ, 1/16W
	R1013	NRSA6AJ-102W	MG RESISTOR 1kΩ, 1/16W		R1084	NRSA6AJ-102W	MG RESISTOR 1kΩ, 1/16W
	R1014	NRSA6AJ-102W	MG RESISTOR 1kΩ, 1/16W		R1085	NRSA6AJ-102W	MG RESISTOR 1kΩ, 1/16W
	R1015	NRSA6AJ-102W	MG RESISTOR 1kΩ, 1/16W		R1086	NRSA6AJ-332W	MG RESISTOR 3.3kΩ, 1/16W
	R1016	NRSA6AJ-103W	MG RESISTOR 10kΩ, 1/16W		R1087	NRSA6AJ-332W	MG RESISTOR 3.3kΩ, 1/16W
	R1017	NRSA6AJ-474W	MG RESISTOR 470kΩ, 1/16W		R1088	NRSA6AJ-332W	MG RESISTOR 3.3kΩ, 1/16W
	R1018	NRSA6AJ-474W	MG RESISTOR 470kΩ, 1/16W		R1089	NRSA6AJ-332W	MG RESISTOR 3.3kΩ, 1/16W
	R1019	NRSA6AJ-102W	MG RESISTOR 1kΩ, 1/16W		R1090	NRSA6AJ-561W	MG RESISTOR 560Ω, 1/16W
	R1020	NRSA6AJ-104W	MG RESISTOR 100kΩ, 1/16W		R1091	NRSA6AJ-103W	MG RESISTOR 10kΩ, 1/16W
	R1021	NRSA6AJ-104W	MG RESISTOR 100kΩ, 1/16W		R1092	NRSA6AJ-103W	MG RESISTOR 10kΩ, 1/16W
	R1022	NRSA6AJ-102W	MG RESISTOR 1kΩ, 1/16W		R1093	NRSA6AJ-103W	MG RESISTOR 10kΩ, 1/16W
	R1023	NRSA6AJ-102W	MG RESISTOR 1kΩ, 1/16W		R1094	NRSA6AJ-103W	MG RESISTOR 10kΩ, 1/16W
	R1024	NRSA6AJ-104W	MG RESISTOR 100kΩ, 1/16W		R1095	NRSA6AJ-102W	MG RESISTOR 1kΩ, 1/16W
	R1025	NRSA6AJ-104W	MG RESISTOR 100kΩ, 1/16W		R1096	NRSA6AJ-332W	MG RESISTOR 3.3kΩ, 1/16W
	R1027	NRSA6AJ-0R0W	MG RESISTOR 0Ω, 1/16W		R1097	NRSA6AJ-682W	MG RESISTOR 6.8kΩ, 1/16W
	R1030	NRSA6AJ-753W	MG RESISTOR 75kΩ, 1/16W		R1099	NRSA6AJ-223W	MG RESISTOR 22kΩ, 1/16W
	R1031	NRSA6AJ-334W	MG RESISTOR 330kΩ, 1/16W		R1601	NRSA6AJ-681W	MG RESISTOR 680Ω, 1/16W
	R1032	NRSA6AJ-332W	MG RESISTOR 3.3kΩ, 1/16W		R1602	NRSA6AJ-124W	MG RESISTOR 120kΩ, 1/16W
	R1033	NRSA6AJ-332W	MG RESISTOR 3.3kΩ, 1/16W		R1603	NRSA6AJ-472W	MG RESISTOR 4.7kΩ, 1/16W
	R1034	NRSA6AJ-332W	MG RESISTOR 3.3kΩ, 1/16W		R1604	NRSA6AJ-104W	MG RESISTOR 100kΩ, 1/16W
	R1035	NRSA6AJ-102W	MG RESISTOR 1kΩ, 1/16W		R1610	NRSA6AJ-471W	MG RESISTOR 470Ω, 1/16W
	R1037	NRSA6AJ-103W	MG RESISTOR 10kΩ, 1/16W		R1611	NRSA6AJ-471W	MG RESISTOR 470Ω, 1/16W
	R1039	NRSA6AJ-152W	MG RESISTOR 1.5kΩ, 1/16W		R1612	NRSA6AJ-104W	MG RESISTOR 100kΩ, 1/16W
	R1043	NRSA6AJ-102W	MG RESISTOR 1kΩ, 1/16W		R1613	NRSA6AJ-102W	MG RESISTOR 1kΩ, 1/16W
	R1044	NRSA6AJ-104W	MG RESISTOR 100kΩ, 1/16W		R1614	NRZ0072-R330X	MG RESISTOR 0.33Ω, 1/4WF
	R1045	NRSA6AJ-105W	MG RESISTOR 1MΩ, 1/16W		R1616	NRSA6AD-332W	MG RESISTOR 3.3kΩ, 1/16W
	R1046	NRSA6AJ-104W	MG RESISTOR 100kΩ, 1/16W		R1617	NRZ0072-R330X	MG RESISTOR 0.33Ω, 1/4WF
	R1047	NRSA6AJ-104W	MG RESISTOR 100kΩ, 1/16W		R1620	NRSA6AJ-103W	MG RESISTOR 10kΩ, 1/16W
	R1048	NRSA6AJ-103W	MG RESISTOR 10kΩ, 1/16W		R1621	NRSA6AJ-103W	MG RESISTOR 10kΩ, 1/16W
	R1049	NRSA6AJ-623W	MG RESISTOR 62kΩ, 1/16W		R1622	NRSA6AJ-103W	MG RESISTOR 10kΩ, 1/16W
	R1050	NRSA6AJ-823W	MG RESISTOR 82kΩ, 1/16W		R1624	NRSA6AD-183W	MG RESISTOR 18kΩ, 1/16W
	R1051	NRSA6AJ-473W	MG RESISTOR 47kΩ, 1/16W		R1625	NRSA6AD-361W	MG RESISTOR 360Ω, 1/16W
	R1052	NRSA6AJ-104W	MG RESISTOR 100kΩ, 1/16W		R1629	NRSA6AJ-564W	MG RESISTOR 560kΩ, 1/16W
	R1053	NRSA6AJ-222W	MG RESISTOR 2.2kΩ, 1/16W		R1630	NRSA6AJ-0R0W	MG RESISTOR 0Ω, 1/16W
	R1054	NRSA6AJ-104W	MG RESISTOR 100kΩ, 1/16W		R1631	NRSA6AJ-0R0W	MG RESISTOR 0Ω, 1/16W
	R1055	NRSA6AJ-334W	MG RESISTOR 330kΩ, 1/16W		R1635	NRSA6AJ-332W	MG RESISTOR 3.3kΩ, 1/16W
	R1056	NRSA6AJ-334W	MG RESISTOR 330kΩ, 1/16W		R1636	NRSA6AJ-123W	MG RESISTOR 12kΩ, 1/16W
	R1057	NRSA6AJ-102W	MG RESISTOR 1kΩ, 1/16W		R1637	NRSA6AJ-154W	MG RESISTOR 150kΩ, 1/16W
	R1058	NRSA6AJ-102W	MG RESISTOR 1kΩ, 1/16W		R1638	NRSA6AJ-0R0W	MG RESISTOR 0Ω, 1/16W
	R1059	NRSA6AJ-102W	MG RESISTOR 1kΩ, 1/16W		R1639	NRSA6AJ-0R0W	MG RESISTOR 0Ω, 1/16W
	R1060	NRSA6AJ-561W	MG RESISTOR 560Ω, 1/16W		R1640	NRSA6AJ-0R0W	MG RESISTOR 0Ω, 1/16W
	R1061	NRSA6AJ-561W	MG RESISTOR 560Ω, 1/16W		R1641	NRSA6AJ-0R0W	MG RESISTOR 0Ω, 1/16W
	R1062	NRSA6AJ-224W	MG RESISTOR 220kΩ, 1/16W		R1642	NRSA6AJ-0R0W	MG RESISTOR 0Ω, 1/16W
	R1063	NRSA6AJ-472W	MG RESISTOR 4.7kΩ, 1/16W		R1648	NRSA6AJ-0R0W	MG RESISTOR 0Ω, 1/16W
	R1064	NRSA6AJ-103W	MG RESISTOR 10kΩ, 1/16W		R1701	NRSA6AJ-823W	MG RESISTOR 82kΩ, 1/16W
	R1065	NRSA6AJ-153W	MG RESISTOR 15kΩ, 1/16W		R1702	NRSA6AJ-222W	MG RESISTOR 2.2kΩ, 1/16W
	R1066	NRSA6AJ-103W	MG RESISTOR 10kΩ, 1/16W		R1703	NRSA6AJ-222W	MG RESISTOR 2.2kΩ, 1/16W
	R1067	NRSA6AJ-334W	MG RESISTOR 330kΩ, 1/16W		R1704	NRSA6AJ-222W	MG RESISTOR 2.2kΩ, 1/16W
	R1068	NRSA6AJ-102W	MG RESISTOR 1kΩ, 1/16W		R1705	NRSA6AJ-222W	MG RESISTOR 2.2kΩ, 1/16W
	R1069	NRSA6AJ-104W	MG RESISTOR 100kΩ, 1/16W		R1706	NRSA6AJ-823W	MG RESISTOR 82kΩ, 1/16W
	R1070	NRSA6AJ-154W	MG RESISTOR 150kΩ, 1/16W		R1707	NRSA6AJ-103W	MG RESISTOR 10kΩ, 1/16W

MODEL	MARK	MODEL	MARK
GR-DX25EK	A	GR-DX35EK	E
GR-DX25EX	B	GR-DX35EX	F
GR-DX25EY	C	GR-DX35EY	G
GR-DX25EZ	D	GR-DX35EZ	H

#	△ REF No.	PART No.	PART NAME, DESCRIPTION
R1708		NRSA6AJ-124W	MG RESISTOR 120kΩ,1/16W
R1709		NRSA6AJ-103W	MG RESISTOR 10kΩ,1/16W
R1710		NRSA6AJ-124W	MG RESISTOR 120kΩ,1/16W
R1711		NRSA6AJ-102W	MG RESISTOR 1kΩ,1/16W
R1712		NRSA6AJ-102W	MG RESISTOR 1kΩ,1/16W
R1801		NRSA6AJ-105W	MG RESISTOR 1MΩ,1/16W
R1802		NRSA6AJ-472W	MG RESISTOR 4.7kΩ,1/16W
R1803		NRSA6AJ-333W	MG RESISTOR 33kΩ,1/16W
R1804		NRSA6AJ-105W	MG RESISTOR 1MΩ,1/16W
R1805		NRSA6AJ-472W	MG RESISTOR 4.7kΩ,1/16W
R1806		NRSA6AJ-103W	MG RESISTOR 10kΩ,1/16W
R1807		NRSA6AJ-103W	MG RESISTOR 10kΩ,1/16W
R1808		NRSA6AJ-302W	MG RESISTOR 3kΩ,1/16W
R1851		NRSA6AJ-470W	MG RESISTOR 47Ω,1/16W
R2101		NRSA6AJ-471W	MG RESISTOR 470Ω,1/16W
R2102		NRSA6AJ-471W	MG RESISTOR 470Ω,1/16W
R2103		NRSA6AJ-0R0W	MG RESISTOR 0Ω,1/16W
R2105		NRSA6AJ-0R0W	MG RESISTOR 0Ω,1/16W
R2201		NRSA6AJ-684W	MG RESISTOR 680kΩ,1/16W
R2202		NRSA6AJ-564W	MG RESISTOR 560kΩ,1/16W
R2203		NRSA6AJ-393W	MG RESISTOR 39kΩ,1/16W
R2204		NRSA6AJ-154W	MG RESISTOR 150kΩ,1/16W
R2206		NRSA6AJ-333W	MG RESISTOR 33kΩ,1/16W
R2207		NRSA6AJ-333W	MG RESISTOR 33kΩ,1/16W
R2208		NRSA6AJ-223W	MG RESISTOR 22kΩ,1/16W
R2209		NRSA6AJ-223W	MG RESISTOR 22kΩ,1/16W
R2212		NRSA6AJ-2R7W	MG RESISTOR 2.7Ω,1/16W
R2213		NRSA6AJ-2R7W	MG RESISTOR 2.7Ω,1/16W
R2217		NRSA6AJ-100W	MG RESISTOR 10Ω,1/16W
R2225		NRSA6AJ-0R0W	MG RESISTOR 0Ω,1/16W
R2226		NRSA6AJ-0R0W	MG RESISTOR 0Ω,1/16W
R2401		NRSA6AJ-472W	MG RESISTOR 4.7kΩ,1/16W
R2402		NRSA6AJ-472W	MG RESISTOR 4.7kΩ,1/16W
R2403		NRSA6AJ-183W	MG RESISTOR 18kΩ,1/16W
R2407		NRSA6AJ-100W	MG RESISTOR 10Ω,1/16W
R2601		NRSA6AJ-272W	MG RESISTOR 2.7kΩ,1/16W
R2602		NRSA6AJ-272W	MG RESISTOR 2.7kΩ,1/16W
R2607		NRSA6AJ-223W	MG RESISTOR 22kΩ,1/16W
R2608		NRSA6AJ-223W	MG RESISTOR 22kΩ,1/16W
R2609		NRSA6AJ-224W	MG RESISTOR 220kΩ,1/16W
R2610		NRSA6AJ-224W	MG RESISTOR 220kΩ,1/16W
R2613		NRSA6AJ-103W	MG RESISTOR 10kΩ,1/16W
R2614		NRSA6AJ-103W	MG RESISTOR 10kΩ,1/16W
R2801		NRSA6AJ-821W	MG RESISTOR 820Ω,1/16W
R2802		NRSA6AJ-821W	MG RESISTOR 820Ω,1/16W
R2803		NRSA6AJ-564W	MG RESISTOR 560kΩ,1/16W
R2804		NRSA6AJ-564W	MG RESISTOR 560kΩ,1/16W
R2805		NRSA6AJ-332W	MG RESISTOR 3.3kΩ,1/16W
R2806		NRSA6AJ-0R0W	MG RESISTOR 0Ω,1/16W
R2807		NRSA6AJ-0R0W	MG RESISTOR 0Ω,1/16W
R2808		NRSA6AJ-0R0W	MG RESISTOR 0Ω,1/16W
R2809		NRSA6AJ-0R0W	MG RESISTOR 0Ω,1/16W
R2810		NRSA6AJ-0R0W	MG RESISTOR 0Ω,1/16W
R2812		NRSA63J-0R0X	MG RESISTOR 0Ω,1/16W
R2813		NRSA63J-0R0X	MG RESISTOR 0Ω,1/16W
R2814		NRSA6AJ-103W	MG RESISTOR 10kΩ,1/16W
R3002		NRSA6AJ-103W	MG RESISTOR 10kΩ,1/16W
R3004		NRSA6AJ-103W	MG RESISTOR 10kΩ,1/16W
R3005		NRSA6AJ-100W	MG RESISTOR 10Ω,1/16W
R3006		NRSA6AJ-100W	MG RESISTOR 10Ω,1/16W
R3007		NRSA6AJ-562W	MG RESISTOR 5.6kΩ,1/16W
R3008		NRSA6AJ-222W	MG RESISTOR 2.2kΩ,1/16W
R3009		NRSA6AJ-103W	MG RESISTOR 10kΩ,1/16W

#	△ REF No.	PART No.	PART NAME, DESCRIPTION
R3010		NRSA6AJ-103W	MG RESISTOR 10kΩ,1/16W
R3011		NRSA6AJ-224W	MG RESISTOR 220kΩ,1/16W
R3013		NRSA6AJ-242W	MG RESISTOR 2.4kΩ,1/16W
R3014		NRSA6AJ-392W	MG RESISTOR 3.9kΩ,1/16W
R3015		NRSA6AJ-392W	MG RESISTOR 3.9kΩ,1/16W
R3016		NRVA6AD-560W	CMF RESISTOR 56Ω,1/16W
R3017		NRVA6AD-560W	CMF RESISTOR 56Ω,1/16W
R3018		NRVA6AD-560W	CMF RESISTOR 56Ω,1/16W
R3019		NRVA6AD-560W	CMF RESISTOR 56Ω,1/16W
R3020		NRVA6AD-512W	CMF RESISTOR 5.1kΩ,1/16W
R3021		NRSA6AJ-0R0W	MG RESISTOR 0Ω,1/16W
R3025		NRSA6AJ-102W	MG RESISTOR 1kΩ,1/16W
R3027		NRSA6AJ-103W	MG RESISTOR 10kΩ,1/16W
R3029		NRSA6AJ-822W	MG RESISTOR 8.2kΩ,1/16W
R3030		NRSA6AJ-224W	MG RESISTOR 220kΩ,1/16W
R3031		NRSA6AJ-224W	MG RESISTOR 220kΩ,1/16W
R3032		NRSA6AJ-105W	MG RESISTOR 1MΩ,1/16W
R3034		NRSA6AJ-222W	MG RESISTOR 2.2kΩ,1/16W
R3036		NRSA6AJ-103W	MG RESISTOR 10kΩ,1/16W
R3037		NRSA6AJ-681W	MG RESISTOR 680Ω,1/16W
R3057		NRSA6AJ-100W	MG RESISTOR 10Ω,1/16W
R3066		NRSA6AJ-561W	MG RESISTOR 560Ω,1/16W
R3067		NRSA6AJ-561W	MG RESISTOR 560Ω,1/16W
R3068		NRSA6AJ-181W	MG RESISTOR 180Ω,1/16W
R3069		NRSA6AJ-472W	MG RESISTOR 4.7kΩ,1/16W
R3071		NRSA6AJ-0R0W	MG RESISTOR 0Ω,1/16W
R3074		NRSA6AJ-103W	MG RESISTOR 10kΩ,1/16W
R3081		NRSA6AJ-471W	MG RESISTOR 470Ω,1/16W
R3501		NRSA6AJ-471W	MG RESISTOR 470Ω,1/16W
R3502		NRSA6AJ-104W	MG RESISTOR 100kΩ,1/16W
R3503		NRSA6AJ-102W	MG RESISTOR 1kΩ,1/16W
R3504		NRSA6AD-241W	MG RESISTOR 240Ω,1/16W
R3505		NRSA6AD-241W	MG RESISTOR 240Ω,1/16W
R3506		NRSA6AD-241W	MG RESISTOR 240Ω,1/16W
R3507		NRSA6AD-241W	MG RESISTOR 240Ω,1/16W
R3508		NRSA6AJ-223W	MG RESISTOR 22kΩ,1/16W
R3511		NRSA6AJ-101W	MG RESISTOR 100Ω,1/16W
R3521		NRSA6AJ-0R0W	MG RESISTOR 0Ω,1/16W
R3522		NRSA6AJ-0R0W	MG RESISTOR 0Ω,1/16W
R3523		NRSA6AJ-0R0W	MG RESISTOR 0Ω,1/16W
R3524		NRSA6AJ-0R0W	MG RESISTOR 0Ω,1/16W
R3525		NRSA6AJ-0R0W	MG RESISTOR 0Ω,1/16W
R3526		NRSA6AJ-0R0W	MG RESISTOR 0Ω,1/16W
R3527		NRSA6AJ-0R0W	MG RESISTOR 0Ω,1/16W
R3701		NRSA6AD-271W	MG RESISTOR 270Ω,1/16W
R3702		NRSA6AD-271W	MG RESISTOR 270Ω,1/16W
R3703		NRSA6AJ-332W	MG RESISTOR 3.3kΩ,1/16W
R3704		NRSA6AD-301W	MG RESISTOR 300Ω,1/16W
R3705		NRSA6AD-301W	MG RESISTOR 300Ω,1/16W
R3706		NRSA6AJ-332W	MG RESISTOR 3.3kΩ,1/16W
R3707		NRSA6AD-680W	MG RESISTOR 68Ω,1/16W
R3708		NRSA6AD-680W	MG RESISTOR 68Ω,1/16W
R3709		NRSA6AD-680W	MG RESISTOR 68Ω,1/16W
R3710		NRSA6AJ-104W	MG RESISTOR 100kΩ,1/16W
R3711		NRSA6AJ-104W	MG RESISTOR 100kΩ,1/16W
R3712		NRSA6AJ-105W	MG RESISTOR 1MΩ,1/16W
R3713		NRSA6AJ-104W	MG RESISTOR 100kΩ,1/16W
R3714		NRSA6AJ-823W	MG RESISTOR 82kΩ,1/16W
R3715		NRSA6AJ-103W	MG RESISTOR 10kΩ,1/16W
R3722		NRSA6AD-131W	MG RESISTOR 130Ω,1/16W
R3724		NRSA6AJ-332W	MG RESISTOR 3.3kΩ,1/16W
R3725		NRSA6AD-131W	MG RESISTOR 130Ω,1/16W
R3726		NRSA6AJ-472W	MG RESISTOR 4.7kΩ,1/16W

MODEL	MARK	MODEL	MARK
GR-DX25EK	A	GR-DX35EK	E
GR-DX25EX	B	GR-DX35EX	F
GR-DX25EY	C	GR-DX35EY	G
GR-DX25EZ	D	GR-DX35EZ	H

#	△ REF No.	PART No.	PART NAME, DESCRIPTION	#	△ REF No.	PART No.	PART NAME, DESCRIPTION
	R3727	NRSA6AJ-472W	MG RESISTOR 4.7kΩ, 1/16W		R4354	NRSA6AJ-0R0W	MG RESISTOR 0Ω, 1/16W
	R3728	NRVA6AD-131W	CMF RESISTOR 130Ω, 1/16W		R4355	NRSA6AJ-0R0W	MG RESISTOR 0Ω, 1/16W
	R3730	NRSA6AJ-472W	MG RESISTOR 4.7kΩ, 1/16W		R4356	NRSA6AJ-0R0W	MG RESISTOR 0Ω, 1/16W
	R3731	NRSA6AJ-472W	MG RESISTOR,E,F,G,H 4.7kΩ, 1/16W		R5503	NRSA6AJ-220W	MG RESISTOR 22Ω, 1/16W
	R3732	NRSA6AJ-101W	MG RESISTOR,E,F,G,H 100Ω, 1/16W		R5504	NRSA6AJ-220W	MG RESISTOR 22Ω, 1/16W
	R3733	NRSA6AD-561W	MG RESISTOR,E,F,G,H 560Ω, 1/16W		R5505	NRSA6AJ-220W	MG RESISTOR 22Ω, 1/16W
	R3734	NRSA6AJ-822W	MG RESISTOR,E,F,G,H 8.2kΩ, 1/16W		R5506	NRSA6AJ-100W	MG RESISTOR 10Ω, 1/16W
	R3735	NRSA6AD-182W	MG RESISTOR,E,F,G,H 1.8kΩ, 1/16W		R5507	NRSA6AJ-100W	MG RESISTOR 10Ω, 1/16W
	R3736	NRSA6AJ-183W	MG RESISTOR,E,F,G,H 18kΩ, 1/16W		R5509	NRSA6AJ-470W	MG RESISTOR 47Ω, 1/16W
	R3737	NRSA6AJ-183W	MG RESISTOR,E,F,G,H 18kΩ, 1/16W		R5511	NRSA6AJ-470W	MG RESISTOR 47Ω, 1/16W
	R3738	NRSA6AJ-681W	MG RESISTOR,E,F,G,H 680Ω, 1/16W		R5512	NRSA6AJ-102W	MG RESISTOR 1kΩ, 1/16W
	R3739	NRSA6AJ-821W	MG RESISTOR,E,F,G,H 820Ω, 1/16W		R5513	NRSA6AJ-102W	MG RESISTOR 1kΩ, 1/16W
	R3740	NRSA6AJ-821W	MG RESISTOR,E,F,G,H 820Ω, 1/16W		R5514	NRSA6AJ-102W	MG RESISTOR 1kΩ, 1/16W
	R3741	NRSA6AJ-102W	MG RESISTOR,E,F,G,H 1kΩ, 1/16W		R6001	NRSA6AJ-104W	MG RESISTOR 100kΩ, 1/16W
	R3742	NRSA6AJ-104W	MG RESISTOR,E,F,G,H 100kΩ, 1/16W		R6002	NRSA6AJ-104W	MG RESISTOR 100kΩ, 1/16W
	R3743	NRSA6AJ-104W	MG RESISTOR,E,F,G,H 100kΩ, 1/16W		R6003	NRSA6AJ-224W	MG RESISTOR 220kΩ, 1/16W
	R3744	NRSA6AD-561W	MG RESISTOR,E,F,G,H 560Ω, 1/16W		R6004	NRSA6AJ-183W	MG RESISTOR 18kΩ, 1/16W
	R3745	NRSA6AD-152W	MG RESISTOR,E,F,G,H 1.5kΩ, 1/16W		R6005	NRSA6AJ-104W	MG RESISTOR 100kΩ, 1/16W
	R3746	NRSA6AJ-222W	MG RESISTOR,E,F,G,H 2.2kΩ, 1/16W	△	R6006	NRSA63J-471X	MG RESISTOR 470Ω, 1/16W
	R3747	NRSA6AJ-102W	MG RESISTOR,E,F,G,H 1kΩ, 1/16W	△	R6007	NRSA63J-102X	MG RESISTOR 1kΩ, 1/16W
	R3748	NRSA6AJ-474W	MG RESISTOR,E,F,G,H 470kΩ, 1/16W		R6008	NRSA6AJ-681W	MG RESISTOR 680Ω, 1/16W
	R3801	NRSA6AJ-101W	MG RESISTOR 100Ω, 1/16W		R6009	NRSA6AJ-0R0W	MG RESISTOR 0Ω, 1/16W
	R3802	NRSA6AD-821W	MG RESISTOR 820Ω, 1/16W		R6010	NRSA6AD-513W	MG RESISTOR 51kΩ, 1/16W
	R3803	NRSA6AD-273W	MG RESISTOR 27kΩ, 1/16W		R6012	NRSA6AD-243W	MG RESISTOR 24kΩ, 1/16W
	R3804	NRSA6AD-153W	MG RESISTOR 15kΩ, 1/16W		R6101	NRSA6AD-103W	MG RESISTOR 10kΩ, 1/16W
	R3805	NRSA6AD-821W	MG RESISTOR 820Ω, 1/16W		R6102	NRSA6AJ-751W	MG RESISTOR 750Ω, 1/16W
	R3807	NRSA6AJ-0R0W	MG RESISTOR 0Ω, 1/16W		R6103	NRSA6AD-622W	MG RESISTOR 6.2kΩ, 1/16W
	R4201	NRSA6AJ-333W	MG RESISTOR 33kΩ, 1/16W		R6104	NRSA6AJ-333W	MG RESISTOR 33kΩ, 1/16W
	R4202	NRSA6AJ-470W	MG RESISTOR 47Ω, 1/16W		R6105	NRSA6AJ-562W	MG RESISTOR 5.6kΩ, 1/16W
	R4206	NRSA6AJ-100W	MG RESISTOR 10Ω, 1/16W		R6106	NRSA6AJ-223W	MG RESISTOR 22kΩ, 1/16W
	R4207	NRSA6AJ-100W	MG RESISTOR 10Ω, 1/16W		R6107	NRSA6AJ-153W	MG RESISTOR 15kΩ, 1/16W
	R4301	NRSA6AJ-220W	MG RESISTOR 22Ω, 1/16W		R6108	NRSA6AJ-823W	MG RESISTOR 82kΩ, 1/16W
	R4303	NRSA6AJ-0R0W	MG RESISTOR 0Ω, 1/16W		R6109	NRSA6AJ-823W	MG RESISTOR 82kΩ, 1/16W
	R4304	NRSA6AJ-0R0W	MG RESISTOR 0Ω, 1/16W		R6110	NRSA6AD-153W	MG RESISTOR 15kΩ, 1/16W
	R4306	NRSA6AJ-0R0W	MG RESISTOR 0Ω, 1/16W		R6111	NRSA6AJ-0R0W	MG RESISTOR 0Ω, 1/16W
	R4307	NRSA6AJ-470W	MG RESISTOR 47Ω, 1/16W		R6112	NRSA6AJ-0R0W	MG RESISTOR 0Ω, 1/16W
	R4308	NRSA6AJ-470W	MG RESISTOR 47Ω, 1/16W		R6113	NRSA6AJ-102W	MG RESISTOR 1kΩ, 1/16W
	R4309	NRSA6AJ-0R0W	MG RESISTOR 0Ω, 1/16W		R6201	NRSA6AJ-0R0W	MG RESISTOR 0Ω, 1/16W
	R4310	NRSA6AJ-0R0W	MG RESISTOR 0Ω, 1/16W		R6202	NRSA6AD-223W	MG RESISTOR 22kΩ, 1/16W
	R4315	NRSA6AJ-0R0W	MG RESISTOR 0Ω, 1/16W		R6203	NRSA6AJ-474W	MG RESISTOR 470kΩ, 1/16W
	R4317	NRSA6AJ-0R0W	MG RESISTOR 0Ω, 1/16W		R6204	NRSA6AD-103W	MG RESISTOR 10kΩ, 1/16W
	R4319	NRSA6AJ-0R0W	MG RESISTOR 0Ω, 1/16W		R6205	NRSA6AJ-473W	MG RESISTOR 47kΩ, 1/16W
	R4321	NRSA6AJ-0R0W	MG RESISTOR 0Ω, 1/16W		R6206	NRSA6AJ-102W	MG RESISTOR 1kΩ, 1/16W
	R4326	NRSA6AJ-470W	MG RESISTOR 47Ω, 1/16W		R6207	NRSA6AD-183W	MG RESISTOR 18kΩ, 1/16W
	R4328	NRSA6AJ-0R0W	MG RESISTOR 0Ω, 1/16W		R6208	NRSA6AD-123W	MG RESISTOR 12kΩ, 1/16W
	R4329	NRSA6AJ-0R0W	MG RESISTOR 0Ω, 1/16W		R6209	NRSA6AJ-0R0W	MG RESISTOR 0Ω, 1/16W
	R4330	NRSA6AJ-0R0W	MG RESISTOR 0Ω, 1/16W		R6210	NRSA6AD-123W	MG RESISTOR 12kΩ, 1/16W
	R4331	NRSA6AJ-0R0W	MG RESISTOR 0Ω, 1/16W		R6211	NRSA6AD-153W	MG RESISTOR 15kΩ, 1/16W
	R4332	NRSA6AJ-0R0W	MG RESISTOR 0Ω, 1/16W		R6212	NRSA6AJ-0R0W	MG RESISTOR 0Ω, 1/16W
	R4333	NRSA6AJ-0R0W	MG RESISTOR 0Ω, 1/16W		R6213	NRSA6AD-183W	MG RESISTOR 18kΩ, 1/16W
	R4334	NRSA6AJ-0R0W	MG RESISTOR 0Ω, 1/16W		R6215	NRSA6AD-472W	MG RESISTOR 4.7kΩ, 1/16W
	R4339	NRSA6AJ-0R0W	MG RESISTOR 0Ω, 1/16W		R6216	NRSA6AJ-103W	MG RESISTOR 10kΩ, 1/16W
	R4341	NRSA6AJ-0R0W	MG RESISTOR 0Ω, 1/16W		R6217	NRSA6AJ-152W	MG RESISTOR 1.5kΩ, 1/16W
	R4342	NRSA6AJ-0R0W	MG RESISTOR 0Ω, 1/16W		R6218	NRSA6AJ-0R0W	MG RESISTOR 0Ω, 1/16W
	R4343	NRSA6AJ-0R0W	MG RESISTOR 0Ω, 1/16W		R6219	NRSA6AD-243W	MG RESISTOR 24kΩ, 1/16W
	R4345	NRSA6AJ-0R0W	MG RESISTOR 0Ω, 1/16W		R6220	NRSA6AD-302W	MG RESISTOR 3kΩ, 1/16W
	R4346	NRSA6AJ-0R0W	MG RESISTOR 0Ω, 1/16W		R6221	NRSA6AD-104W	MG RESISTOR 100kΩ, 1/16W
	R4348	NRSA6AJ-0R0W	MG RESISTOR 0Ω, 1/16W		R6222	NRSA6AD-123W	MG RESISTOR 12kΩ, 1/16W
	R4349	NRSA6AJ-0R0W	MG RESISTOR 0Ω, 1/16W		R6223	NRSA6AD-103W	MG RESISTOR 10kΩ, 1/16W
	R4350	NRSA6AJ-0R0W	MG RESISTOR 0Ω, 1/16W		R6224	NRSA6AJ-0R0W	MG RESISTOR 0Ω, 1/16W
	R4351	NRSA6AJ-0R0W	MG RESISTOR 0Ω, 1/16W		R6225	NRSA6AD-473W	MG RESISTOR 47kΩ, 1/16W
	R4352	NRSA6AJ-0R0W	MG RESISTOR 0Ω, 1/16W		R6226	NRSA6AD-562W	MG RESISTOR 5.6kΩ, 1/16W
	R4353	NRSA6AJ-0R0W	MG RESISTOR 0Ω, 1/16W		R6227	NRSA6AD-273W	MG RESISTOR 27kΩ, 1/16W

MODEL	MARK	MODEL	MARK
GR-DX25EK	A	GR-DX35EK	E
GR-DX25EX	B	GR-DX35EX	F
GR-DX25EY	C	GR-DX35EY	G
GR-DX25EZ	D	GR-DX35EZ	H

#	△ REF No.	PART No.	PART NAME, DESCRIPTION	
R6228		NRSA6AD-473W	MG RESISTOR	47kΩ,1/16W
R6229		NRSA6AJ-0R0W	MG RESISTOR	0Ω,1/16W
R6230		NRSA6AJ-272W	MG RESISTOR	2.7kΩ,1/16W
R6231		NRSA6AD-473W	MG RESISTOR	47kΩ,1/16W
R6232		NRSA6AD-332W	MG RESISTOR	3.3kΩ,1/16W
R6233		NRSA6AD-104W	MG RESISTOR	100kΩ,1/16W
R6234		NRSA6AD-473W	MG RESISTOR	47kΩ,1/16W
R6235		NRSA6AJ-273W	MG RESISTOR	27kΩ,1/16W
R6236		NRSA6AJ-822W	MG RESISTOR	8.2kΩ,1/16W
R6237		NRSA6AD-473W	MG RESISTOR	47kΩ,1/16W
R6238		NRSA6AD-683W	MG RESISTOR	68kΩ,1/16W
R6241		NRSA6AD-753W	MG RESISTOR	75kΩ,1/16W
R6242		NRSA6AD-104W	MG RESISTOR	100kΩ,1/16W
R6243		NRSA6AJ-333W	MG RESISTOR	33kΩ,1/16W
R6244		NRSA6AJ-103W	MG RESISTOR	10kΩ,1/16W
R6245		NRSA6AJ-102W	MG RESISTOR	1kΩ,1/16W
R6701		NRZ0058-R20X	MG RESISTOR	0.2Ω,1/2W
R6702		NRSA6AD-104W	MG RESISTOR	100kΩ,1/16W
R6703		NRSA6AD-123W	MG RESISTOR	12kΩ,1/16W
R6704		NRSA6AD-823W	MG RESISTOR	82kΩ,1/16W
R6705		NRSA6AD-333W	MG RESISTOR	33kΩ,1/16W
R8701		NRSA6AJ-0R0W	MG RESISTOR	0Ω,1/16W
R8702		NRS181J-220X	MG RESISTOR	22Ω,1/8W
R8703		NRS181J-220X	MG RESISTOR	22Ω,1/8W
R8704		NRSA6AJ-105W	MG RESISTOR	1MΩ,1/16W
R8705		NRSA6AJ-152W	MG RESISTOR	1.5kΩ,1/16W
R8706		NRSA6AJ-334W	MG RESISTOR	330kΩ,1/16W
R8707		NRSA6AJ-0R0W	MG RESISTOR	0Ω,1/16W
R8708		NRSA6AJ-0R0W	MG RESISTOR	0Ω,1/16W
R8709		NRSA6AJ-105W	MG RESISTOR	1MΩ,1/16W
R8710		NRSA6AJ-0R0W	MG RESISTOR	0Ω,1/16W
R8711		NRSA6AJ-100W	MG RESISTOR	10Ω,1/16W
R8712		NRSA6AJ-100W	MG RESISTOR	10Ω,1/16W
R8713		NRSA6AJ-100W	MG RESISTOR	10Ω,1/16W
R8715		NRSA6AJ-0R0W	MG RESISTOR	0Ω,1/16W
R8717		NRSA6AJ-0R0W	MG RESISTOR	0Ω,1/16W
R8718		NRSA6AJ-0R0W	MG RESISTOR	0Ω,1/16W
R8720		NRSA6AJ-0R0W	MG RESISTOR	0Ω,1/16W
R8721		NRSA6AJ-0R0W	MG RESISTOR	0Ω,1/16W
R8722		NRSA6AJ-224W	MG RESISTOR	220kΩ,1/16W
R8723		NRSA6AJ-334W	MG RESISTOR	330kΩ,1/16W
RA1001		NRZ0034-473W	NET RESISTOR	
RA1002		NRZ0034-104W	NET RESISTOR	100kW
RA1003		NRZ0034-104W	NET RESISTOR	100kW
RA1004		NRZ0034-104W	NET RESISTOR	100kW
RA1005		NRZ0034-103W	NET RESISTOR	10kΩ,1/32W
RA1006		NRZ0034-102W	NET RESISTOR	
RA1007		NRZ0034-102W	NET RESISTOR	
RA1008		NRZ0034-104W	NET RESISTOR	100kW
RA3001		NRZ0034-560W	NET RESISTOR	
RA3002		NRZ0034-560W	NET RESISTOR	
RA3003		NRZ0034-100W	NET RESISTOR	10Ω
RA3004		NRZ0034-103W	NET RESISTOR	10kΩ,1/32W
RA3005		NRZ0040-0R0X	NET RESISTOR,3216	
RA4201		NRZ0034-100W	NET RESISTOR,(1005*4)	10Ω
RA4202		NRZ0034-100W	NET RESISTOR,(1005*4)	10Ω
RA4305		NRZ0034-100W	NET RESISTOR,(1005*4)	10Ω
RA4306		NRZ0034-100W	NET RESISTOR,(1005*4)	10Ω
RA4307		NRZ0034-100W	NET RESISTOR,(1005*4)	10Ω
RA4308		NRZ0034-100W	NET RESISTOR,(1005*4)	10Ω
C1001		NDCA1HJ-8R0W	C CAPACITOR	8pF,50V
C1002		NDCA1HJ-100W	C CAPACITOR	10pF,50V
C1004		NCFA1AZ-104W	C CAPACITOR	0.1μF,10V

#	△ REF No.	PART No.	PART NAME, DESCRIPTION	
C1005		NCFA1AZ-104W	C CAPACITOR	0.1μF,10V
C1007		NCFA1AZ-104W	C CAPACITOR	0.1μF,10V
C1008		NCFA1AZ-104W	C CAPACITOR	0.1μF,10V
C1009		NCFA1AZ-104W	C CAPACITOR	0.1μF,10V
C1010		NCFA1AZ-104W	C CAPACITOR	0.1μF,10V
C1011		NCFA1AZ-104W	C CAPACITOR	0.1μF,10V
C1012		NCFA1AZ-104W	C CAPACITOR	0.1μF,10V
C1013		NCFA1AZ-104W	C CAPACITOR	0.1μF,10V
C1014		NCFA1AZ-104W	C CAPACITOR	0.1μF,10V
C1015		NCFA1AZ-104W	C CAPACITOR	0.1μF,10V
C1019		NCFA1HZ-103W	C CAPACITOR	0.01μF,50V
C1020		NCBA1EK-682W	C CAPACITOR	0.0068μF,25V
C1021		NCBA1EK-682W	C CAPACITOR	0.0068μF,25V
C1022		NCFA1HZ-103W	C CAPACITOR	0.01μF,50V
C1024		NCFA1HZ-103W	C CAPACITOR	0.01μF,50V
C1025		NCFA1HZ-103W	C CAPACITOR	0.01μF,50V
C1029		NCFA1HZ-103W	C CAPACITOR	0.01μF,50V
C1030		NBE20JM-106X	TA E CAPACITOR	10μF,6.3V
C1032		NCFA1HZ-103W	C CAPACITOR	0.01μF,50V
C1035		NCFA1HZ-103W	C CAPACITOR	0.01μF,50V
C1036		NCFA1AZ-104W	C CAPACITOR	0.1μF,10V
C1037		NCFA1HZ-103W	C CAPACITOR	0.01μF,50V
C1038		NCFA1HZ-103W	C CAPACITOR	0.01μF,50V
C1039		NCFA1HZ-103W	C CAPACITOR	0.01μF,50V
C1040		NDCA1HJ-100W	C CAPACITOR	10pF,50V
C1041		NCFA1AZ-104W	C CAPACITOR	0.1μF,10V
C1042		NCFA1AZ-104W	C CAPACITOR	0.1μF,10V
C1043		NCFA1AZ-104W	C CAPACITOR	0.1μF,10V
C1044		NDCA1HJ-470W	C CAPACITOR	47pF,50V
C1045		NDCA1HJ-470W	C CAPACITOR	47pF,50V
C1046		NCF31AZ-105X	C CAPACITOR	1μF,10V
C1047		NCFA1HZ-103W	C CAPACITOR	0.01μF,50V
C1048		NCFA1HZ-103W	C CAPACITOR	0.01μF,50V
C1049		NCFA1HZ-103W	C CAPACITOR	0.01μF,50V
C1050		NCFA1HZ-103W	C CAPACITOR	0.01μF,50V
C1051		NCB31CK-223X	C CAPACITOR	0.022μF,16V
C1052		NCB31CK-223X	C CAPACITOR	0.022μF,16V
C1053		NCB31CK-223X	C CAPACITOR	0.022μF,16V
C1054		NCB31CK-223X	C CAPACITOR	0.022μF,16V
C1055		NCFA1AZ-104W	C CAPACITOR	0.1μF,10V
C1064		NBE20JM-226X	TA E CAPACITOR	22μF,6.3V
C1601		NCBA1CK-1033W	C CAPACITOR	0.01μF,16V
C1602		NBE20JM-106X	TA E CAPACITOR	10μF,6.3V
C1603		NBE20JM-106X	TA E CAPACITOR	10μF,6.3V
C1605		NCBA1AK-104W	C CAPACITOR	0.1μF,10V
C1606		NCBA1HK-152W	C CAPACITOR	0.0015μF,50V
C1607		NCBA1CK-473W	C CAPACITOR	0.047μF,16V
C1614		NBE20JM-106X	TA E CAPACITOR	10μF,6.3V
C1618		NCBA1HK-222W	C CAPACITOR	0.0022μF,50V
C1619		NCBA1HK-222W	C CAPACITOR	0.0022μF,50V
C1620		NCBA1HK-222W	C CAPACITOR	0.0022μF,50V
C1621		NCB30JK-105X	C CAPACITOR	1μF,6.3V
C1622		NCBA1CK-223W	C CAPACITOR	0.022μF,16V
C1623		NCBA1AK-473W	C CAPACITOR	0.047μF,10V
C1624		NCBA1CK-103W	C CAPACITOR	0.01μF,16V
C1625		NCSA1HJ-101W	C CAPACITOR	100pF,50V
C1626		NCBA1CK-822W	C CAPACITOR	0.0082μF,16V
C1627		NCBA1CK-822W	C CAPACITOR	0.0082μF,16V
C1628		NCB21CK-224X	C CAPACITOR	0.22μF,16V
C1629		NBP41DM-106X	TA E CAPACITOR	10μF,20V
C1630		NCB21CK-334X	C CAPACITOR	0.33μF,16V
C1632		NBE20JM-106X	TA E CAPACITOR	10μF,6.3V
C1633		NCB21CK-474X	C CAPACITOR	0.47μF,16V



MODEL	MARK	MODEL	MARK
GR-DX25EK	A	GR-DX35EK	E
GR-DX25EX	B	GR-DX35EX	F
GR-DX25EY	C	GR-DX35EY	G
GR-DX25EZ	D	GR-DX35EZ	H

#	△ REF No.	PART No.	PART NAME, DESCRIPTION	#	△ REF No.	PART No.	PART NAME, DESCRIPTION
	C1641	NCB21CK-474X	C CAPACITOR 0.47μF,16V		C3008	NBE20JM-106X	TA E CAPACITOR 10μF,6.3V
	C1701	NCBA1AK-104W	C CAPACITOR 0.1μF,10V		C3009	NCB30JK-105X	C CAPACITOR 1μF,6.3V
	C1702	NCBA1AK-104W	C CAPACITOR 0.1μF,10V		C3011	NCBA1AK-104W	C CAPACITOR 0.1μF,10V
	C1801	NCBA1CK-103W	C CAPACITOR 0.01μF,16V		C3012	NCBA1AK-104W	C CAPACITOR 0.1μF,10V
	C1802	NBE20JM-226X	TA E CAPACITOR 22μF,6.3V		C3013	NCBA1CK-103W	C CAPACITOR 0.01μF,16V
	C1803	NCBA1CK-223W	C CAPACITOR 0.022μF,16V		C3015	NCBA1CK-103W	C CAPACITOR 0.01μF,16V
	C1804	NCBA1CK-223W	C CAPACITOR 0.022μF,16V		C3016	NCBA1AK-104W	C CAPACITOR 0.1μF,10V
	C1805	NBE20JM-106X	TA E CAPACITOR 10μF,6.3V		C3017	NCBA1AK-104W	C CAPACITOR 0.1μF,10V
	C1806	NCBA1AK-104W	C CAPACITOR 0.1μF,10V		C3020	NCBA1AK-104W	C CAPACITOR 0.1μF,10V
	C1807	NCB30JK-105X	C CAPACITOR 1μF,6.3V		C3021	NCBA1AK-104W	C CAPACITOR 0.1μF,10V
	C2101	NCB30JK-105X	C CAPACITOR 1μF,6.3V		C3022	NCBA1AK-104W	C CAPACITOR 0.1μF,10V
	C2102	NCB30JK-105X	C CAPACITOR 1μF,6.3V		C3023	NDCA1HJ-330W	C CAPACITOR 33pF,50V
	C2103	NCBA1HK-222W	C CAPACITOR 0.0022μF,50V		C3024	NCBA1HK-102W	C CAPACITOR 0.001μF,50V
	C2104	NCBA1HK-222W	C CAPACITOR 0.0022μF,50V		C3025	NCBA1AK-104W	C CAPACITOR 0.1μF,10V
	C2105	NBZ0015-106X	TA E CAPACITOR 10μF,6.3V		C3026	NCB30JK-105X	C CAPACITOR 1μF,6.3V
	C2106	NCBA1AK-104W	C CAPACITOR 0.1μF,10V		C3027	NCBA1EK-472W	C CAPACITOR 0.0047μF,25V
	C2107	NCBA1AK-104W	C CAPACITOR 0.1μF,10V		C3028	NDCA1EJ-271W	C CAPACITOR 270pF,25V
	C2108	NBE20JM-475X	TA E CAPACITOR 4.7μF,6.3V		C3029	NCBA1CK-103W	C CAPACITOR 0.01μF,16V
	C2201	NCBA1AK-104W	C CAPACITOR 0.1μF,10V		C3030	NCBA1AK-104W	C CAPACITOR 0.1μF,10V
	C2202	NCB30JK-105X	C CAPACITOR 1μF,6.3V		C3031	NCBA1AK-104W	C CAPACITOR 0.1μF,10V
	C2203	NCB30JK-105X	C CAPACITOR 1μF,6.3V		C3032	NCBA1HK-102W	C CAPACITOR 0.001μF,50V
	C2204	NCB30JK-105X	C CAPACITOR 1μF,6.3V		C3033	NDCA1HJ-220W	C CAPACITOR 22pF,50V
	C2205	NCB30JK-105X	C CAPACITOR 1μF,6.3V		C3036	NDCA1HJ-8R0W	C CAPACITOR 8pF,50V
	C2209	NCB30JK-105X	C CAPACITOR 1μF,6.3V		C3037	NDCA1HJ-8R0W	C CAPACITOR 8pF,50V
	C2210	NCB30JK-105X	C CAPACITOR 1μF,6.3V		C3038	NCBA1AK-104W	C CAPACITOR 0.1μF,10V
	C2211	NCBA1AK-104W	C CAPACITOR 0.1μF,10V		C3039	NCBA1AK-104W	C CAPACITOR 0.1μF,10V
	C2212	NCBA1AK-104W	C CAPACITOR 0.1μF,10V		C3042	NCBA1CK-103W	C CAPACITOR 0.01μF,16V
	C2213	NCBA1AK-104W	C CAPACITOR 0.1μF,10V		C3043	NCBA1CK-103W	C CAPACITOR 0.01μF,16V
	C2214	NCBA1AK-104W	C CAPACITOR 0.1μF,10V		C3044	NCBA1AK-104W	C CAPACITOR 0.1μF,10V
	C2215	NCBA1AK-104W	C CAPACITOR 0.1μF,10V		C3045	NCBA1AK-104W	C CAPACITOR 0.1μF,10V
	C2216	NCBA1AK-104W	C CAPACITOR 0.1μF,10V		C3046	NCBA1CK-103W	C CAPACITOR 0.01μF,16V
	C2217	NCBA1AK-104W	C CAPACITOR 0.1μF,10V		C3047	NCBA1AK-104W	C CAPACITOR 0.1μF,10V
	C2218	NCBA1AK-104W	C CAPACITOR 0.1μF,10V		C3048	NCB31CK-473X	C CAPACITOR 0.047μF,16V
	C2223	NCBA1AK-104W	C CAPACITOR 0.1μF,10V		C3049	NCBA1HK-222W	C CAPACITOR 0.0022μF,50V
	C2224	NCBA1AK-104W	C CAPACITOR 0.1μF,10V		C3050	NCBA1CK-103W	C CAPACITOR 0.01μF,16V
	C2401	NBE20JM-106X	TA E CAPACITOR 10μF,6.3V		C3055	NCBA1CK-103W	C CAPACITOR 0.01μF,16V
	C2402	NBE20JM-106X	TA E CAPACITOR 10μF,6.3V		C3059	NBE20GM-226X	TA E CAPACITOR 22μF,4V
	C2403	NBE20JM-106X	TA E CAPACITOR 10μF,6.3V		C3060	NCBA1CK-103W	C CAPACITOR 0.01μF,16V
	C2404	NBE20JM-106X	TA E CAPACITOR 10μF,6.3V		C3064	NCBA1HK-102W	C CAPACITOR 0.001μF,50V
	C2405	NCBA1AK-104W	C CAPACITOR 0.1μF,10V		C3066	NCB30JK-105X	C CAPACITOR 1μF,6.3V
	C2406	NBZ0015-106X	TA E CAPACITOR 10μF,6.3V		C3067	NCBA1HK-102W	C CAPACITOR 0.001μF,50V
	C2603	NCBA1CK-153W	C CAPACITOR 0.015μF,16V		C3069	NCBA1AK-104W	C CAPACITOR 0.1μF,10V
	C2604	NCBA1CK-153W	C CAPACITOR 0.015μF,16V		C3501	NBZ0015-106X	TA E CAPACITOR 10μF,6.3V
	C2605	NCBA1EK-472W	C CAPACITOR 0.0047μF,25V		C3502	NBZ0015-106X	TA E CAPACITOR 10μF,6.3V
	C2606	NCBA1EK-472W	C CAPACITOR 0.0047μF,25V		C3503	NBZ0015-106X	TA E CAPACITOR 10μF,6.3V
	C2607	NCBA1HK-102W	C CAPACITOR 0.001μF,50V		C3504	NCBA1AK-473W	C CAPACITOR 0.047μF,10V
	C2608	NCBA1HK-102W	C CAPACITOR 0.001μF,50V		C3505	NCBA1CK-223W	C CAPACITOR 0.022μF,16V
	C2609	NCBA1HK-102W	C CAPACITOR 0.001μF,50V		C3506	NCB30JK-105X	C CAPACITOR 1μF,6.3V
	C2610	NCBA1HK-102W	C CAPACITOR 0.001μF,50V		C3507	NCBA1CK-103W	C CAPACITOR 0.01μF,16V
	C2611	NCB30JK-105X	C CAPACITOR 1μF,6.3V		C3508	NCBA1CK-103W	C CAPACITOR 0.01μF,16V
	C2612	NCB30JK-105X	C CAPACITOR 1μF,6.3V		C3509	NCBA1CK-103W	C CAPACITOR 0.01μF,16V
	C2613	NCB30JK-105X	C CAPACITOR 1μF,6.3V		C3510	NCBA1AK-104W	C CAPACITOR 0.1μF,10V
	C2614	NDCA1HJ-101W	C CAPACITOR 100pF,50V		C3511	NCBA1CK-103W	C CAPACITOR 0.01μF,16V
	C2615	NDCA1HJ-101W	C CAPACITOR 100pF,50V		C3512	NCB31CK-104X	C CAPACITOR 0.1μF,16V
	C2617	NCBA1CK-223W	C CAPACITOR 0.022μF,16V		C3513	NCBA1AK-104W	C CAPACITOR 0.1μF,10V
	C2618	NCBA1CK-223W	C CAPACITOR 0.022μF,16V		C3514	NCBA1AK-473W	C CAPACITOR 0.047μF,10V
	C2801	NCB31HK-472X	C CAPACITOR 0.0047μF,50V		C3515	NCBA1AK-473W	C CAPACITOR 0.047μF,10V
	C2802	NCB31HK-472X	C CAPACITOR 0.0047μF,50V		C3516	NCBA1AK-473W	C CAPACITOR 0.047μF,10V
	C3001	NBE20JM-106X	TA E CAPACITOR 10μF,6.3V		C3517	NCBA1CK-103W	C CAPACITOR 0.01μF,16V
	C3003	NCB30JK-105X	C CAPACITOR 1μF,6.3V		C3518	NCBA1CK-103W	C CAPACITOR 0.01μF,16V
	C3005	NBE20JM-106X	TA E CAPACITOR 10μF,6.3V		C3519	NCBA1HK-102W	C CAPACITOR 0.001μF,50V
	C3006	NCB30JK-105X	C CAPACITOR 1μF,6.3V		C3520	NCBA1CK-103W	C CAPACITOR 0.01μF,16V
	C3007	NBE20GM-476X	TA E CAPACITOR 47μF,4V		C3521	NCBA1AK-104W	C CAPACITOR 0.1μF,10V

MODEL	MARK	MODEL	MARK
GR-DX25EK	A	GR-DX35EK	E
GR-DX25EX	B	GR-DX35EX	F
GR-DX25EY	C	GR-DX35EY	G
GR-DX25EZ	D	GR-DX35EZ	H

#	△ REF No.	PART No.	PART NAME, DESCRIPTION	#	△ REF No.	PART No.	PART NAME, DESCRIPTION
C3522		NCB20JM-475X	C CAPACITOR 4.7μF,6.3V	C4214		NCBA1AK-104W	C CAPACITOR 0.1μF,10V
C3523		NCBA1CK-103W	C CAPACITOR 0.01μF,16V	C4216		NCBA1AK-104W	C CAPACITOR 0.1μF,10V
C3524		NCBA1CK-103W	C CAPACITOR 0.01μF,16V	C4217		NCB21AK-105X	C CAPACITOR 1μF,10V
C3525		NCB20JM-475X	C CAPACITOR 4.7μF,6.3V	C4301		NCBA1AK-104W	C CAPACITOR 0.1μF,10V
C3526		NCBA1CK-103W	C CAPACITOR 0.01μF,16V	C4302		NCBA1AK-104W	C CAPACITOR 0.1μF,10V
C3527		NDCA1EJ-221W	C CAPACITOR 220pF,25V	C4303		NCBA1AK-104W	C CAPACITOR 0.1μF,10V
C3528		NCBA1CK-103W	C CAPACITOR 0.01μF,16V	C4304		NCBA1AK-104W	C CAPACITOR 0.1μF,10V
C3701		NBE20JM-106X	TA E CAPACITOR 10μF,6.3V	C4305		NCBA1AK-104W	C CAPACITOR 0.1μF,10V
C3702		NDCA1HJ-560W	C CAPACITOR 56pF,50V	C4306		NCBA1AK-104W	C CAPACITOR 0.1μF,10V
C3703		NDCA1HJ-270W	C CAPACITOR 27pF,50V	C4307		NCBA1AK-104W	C CAPACITOR 0.1μF,10V
C3704		NDCA1HJ-680W	C CAPACITOR 68pF,50V	C4308		NCBA1AK-104W	C CAPACITOR 0.1μF,10V
C3705		NDCA1HJ-270W	C CAPACITOR 27pF,50V	C4309		NCBA1AK-104W	C CAPACITOR 0.1μF,10V
C3706		NCB30JK-105X	C CAPACITOR 1μF,6.3V	C4310		NCBA1AK-104W	C CAPACITOR 0.1μF,10V
C3707		NCBA1CK-103W	C CAPACITOR 0.01μF,16V	C4311		NCBA1AK-104W	C CAPACITOR 0.1μF,10V
C3708		NCBA1AK-104W	C CAPACITOR 0.1μF,10V	C4312		NCBA1AK-104W	C CAPACITOR 0.1μF,10V
C3709		NCBA1CK-103W	C CAPACITOR 0.01μF,16V	C4313		NBE20JM-106X	TA E CAPACITOR 10μF,6.3V
C3710		NBE20GM-226X	TA E CAPACITOR 22μF,4V	C4314		NCBA1AK-104W	C CAPACITOR 0.1μF,10V
C3711		NBE20GM-226X	TA E CAPACITOR 22μF,4V	C4315		NCBA1AK-104W	C CAPACITOR 0.1μF,10V
C3712		NBE40GM-107X	TA E CAPACITOR 100μF,4V	C4316		NCBA1CK-103W	C CAPACITOR 0.01μF,16V
C3713		NBE20GM-107X	TA E CAPACITOR 100μF,4V	C4317		NCBA1AK-104W	C CAPACITOR 0.1μF,10V
C3715		NCBA1CK-103W	C CAPACITOR 0.01μF,16V	C5501		NCBA1AK-104W	C CAPACITOR 0.1μF,10V
C3731		NCBA1CK-103W	C CAPACITOR,E,F,G,H 0.01μF,16V	C5503		NCBA1AK-104W	C CAPACITOR 0.1μF,10V
C3732		NCBA1HK-102W	C CAPACITOR,E,F,G,H 0.001μF,50V	C5504		NCBA1AK-104W	C CAPACITOR 0.1μF,10V
C3733		NDCA1HJ-3R0W	C CAPACITOR,E,F,G,H 3pF,50V	C5506		NBE40GM-476X	TA E CAPACITOR 47μF,4.0V
C3734		NDCA1HJ-5R0W	C CAPACITOR,E,F,G,H 5pF,50V	C5507		NCBA1AK-104W	C CAPACITOR 0.1μF,10V
C3735		NDCA1HJ-330W	C CAPACITOR,E,F,G,H 33pF,50V	C5508		NCBA1AK-104W	C CAPACITOR 0.1μF,10V
C3736		NCBA1HK-102W	C CAPACITOR,E,F,G,H 0.001μF,50V	C5509		NCBA1AK-104W	C CAPACITOR 0.1μF,10V
C3738		NCBA1CK-103W	C CAPACITOR,E,F,G,H 0.01μF,16V	C5510		NBP21VM-105X	TA E CAPACITOR 1μF,35V
C3739		NCBA1CK-103W	C CAPACITOR,E,F,G,H 0.01μF,16V	C5511		NBP21DM-475X	TA E CAPACITOR,A,B,C,D 4.7μF,20V
C3740		NCB30JK-105X	C CAPACITOR,E,F,G,H 1μF,6.3V	C5511		NBZ0003-475X	TA E CAPACITOR,E,F,G,H 4.7μF,20V
C3741		NCB30JK-105X	C CAPACITOR,E,F,G,H 1μF,6.3V	C5512		NBE21AM-106X	TA E CAPACITOR 10μF,10V
C3742		NCBA1AK-104W	C CAPACITOR,E,F,G,H 0.1μF,10V	C5513		NCB31CK-104X	C CAPACITOR 0.1μF,16V
C3743		NDCA1HJ-3R0W	C CAPACITOR,E,F,G,H 3pF,50V	C5514		NCBA1AK-104W	C CAPACITOR 0.1μF,10V
C3744		NDCA1HJ-5R0W	C CAPACITOR,E,F,G,H 5pF,50V	C5515		NCBA1AK-104W	C CAPACITOR 0.1μF,10V
C3745		NDCA1HJ-330W	C CAPACITOR,E,F,G,H 33pF,50V	C5516		NCBA1AK-104W	C CAPACITOR 0.1μF,10V
C3746		NCB20JM-475X	C CAPACITOR,E,F,G,H 4.7μF,6.3V	C5517		NCB31CK-104X	C CAPACITOR 0.1μF,16V
C3747		NCBA1CK-103W	C CAPACITOR,E,F,G,H 0.01μF,16V	C5518		NCBA1AK-104W	C CAPACITOR 0.1μF,10V
C3801		NCB30JK-105X	C CAPACITOR 1μF,6.3V	C5519		NCBA1AK-104W	C CAPACITOR 0.1μF,10V
C3802		NCB30JK-105X	C CAPACITOR 1μF,6.3V	C6001		NCB31EK-103X	C CAPACITOR 0.01μF,25V
C3803		NBE20JM-106X	TA E CAPACITOR 10μF,6.3V	C6002		NCB31CK-104X	C CAPACITOR 0.1μF,16V
C3804		NBE20GM-476X	TA E CAPACITOR 47μF,4V	C6003		NBZ0015-106X	TA E CAPACITOR 10μF,6.3V
C3805		NCBA1CK-103W	C CAPACITOR 0.01μF,16V	C6004		NCB21CK-105X	C CAPACITOR 1μF,16V
C3806		NCBA1CK-103W	C CAPACITOR 0.01μF,16V	C6005		NBE20JM-226X	TA E CAPACITOR 22μF,6.3V
C3807		NCBA1CK-103W	C CAPACITOR 0.01μF,16V	C6008		NDCA1HJ-151W	C CAPACITOR 150pF,50V
C3808		NCBA1CK-103W	C CAPACITOR 0.01μF,16V	C6101		NCBA1AK-104W	C CAPACITOR 0.1μF,10V
C3809		NCB31CK-104X	C CAPACITOR 0.1μF,16V	C6103		NCBA1AK-104W	C CAPACITOR 0.1μF,10V
C3810		NCBA1CK-103W	C CAPACITOR 0.01μF,16V	C6104		NCBA1CK-223W	C CAPACITOR 0.022μF,16V
C3811		NCB31CK-104X	C CAPACITOR 0.1μF,16V	C6105		NCB21CK-105X	C CAPACITOR 1μF,16V
C3812		NCBA1AK-104W	C CAPACITOR 0.1μF,10V	C6106		NBP41DM-106X	TA E CAPACITOR 10μF,20V
C3813		NCBA1AK-104W	C CAPACITOR 0.1μF,10V	C6107		NCB21CK-105X	C CAPACITOR 1μF,16V
C3819		NCBA1CK-103W	C CAPACITOR 0.01μF,16V	C6108		NCB21CK-105X	C CAPACITOR 1μF,16V
C4202		NCBA1AK-104W	C CAPACITOR 0.1μF,10V	C6109		NCBA1AK-104W	C CAPACITOR 0.1μF,10V
C4203		NCB21AK-105X	C CAPACITOR 1μF,10V	C6110		NCBA1AK-104W	C CAPACITOR 0.1μF,10V
C4204		NCBA1AK-104W	C CAPACITOR 0.1μF,10V	C6111		NCB30JK-105X	C CAPACITOR 1μF,6.3V
C4205		NCBA1AK-104W	C CAPACITOR 0.1μF,10V	C6112		NCB30JK-105X	C CAPACITOR 1μF,6.3V
C4206		NCB21CK-105X	C CAPACITOR 1μF,16V	C6113		NCB30JK-105X	C CAPACITOR 1μF,6.3V
C4207		NCBA1AK-104W	C CAPACITOR 0.1μF,10V	C6114		NCB30JK-105X	C CAPACITOR 1μF,6.3V
C4208		NCB30JK-105X	C CAPACITOR 1μF,6.3V	C6115		NCBA1AK-104W	C CAPACITOR 0.1μF,10V
C4209		NCBA1AK-104W	C CAPACITOR 0.1μF,10V	C6116		NCBA1AK-104W	C CAPACITOR 0.1μF,10V
C4210		NCBA1AK-104W	C CAPACITOR 0.1μF,10V	C6117		NCBA1AK-333W	C CAPACITOR 0.033μF,10V
C4211		NCBA1AK-104W	C CAPACITOR 0.1μF,10V	C6118		NCBA1HK-561W	C CAPACITOR 560pF,50V
C4212		NCBA1AK-104W	C CAPACITOR 0.1μF,10V	C6119		NCBA1HK-272W	C CAPACITOR 0.0027μF,50V
C4213		NCBA1AK-104W	C CAPACITOR 0.1μF,10V	C6120		NCBA1HK-561W	C CAPACITOR 560pF,50V

MODEL	MARK	MODEL	MARK
GR-DX25EK	A	GR-DX35EK	E
GR-DX25EX	B	GR-DX35EX	F
GR-DX25EY	C	GR-DX35EY	G
GR-DX25EZ	D	GR-DX35EZ	H

#	△ REF No.	PART No.	PART NAME, DESCRIPTION	#	△ REF No.	PART No.	PART NAME, DESCRIPTION	
C6121		NCBA1CK-103W	C CAPACITOR	0.01μF,16V	L2401	NQL402M-100X	INDUCTOR	10μH
C6123		NCBA1AK-104W	C CAPACITOR	0.1μF,10V	L2402	NQL402M-100X	INDUCTOR	10μH
C6124		NCBA1AK-104W	C CAPACITOR	0.1μF,10V	L2601	NRSA63J-0R0X	MG RESISTOR	0Ω,1/16W
C6125		NDCA1HJ-101W	C CAPACITOR	100pF,50V	L2602	NRSA63J-0R0X	MG RESISTOR	0Ω,1/16W
C6126		NCB31CK-473X	C CAPACITOR	0.047μF,16V	L2603	NRSA63J-0R0X	MG RESISTOR	0Ω,1/16W
C6127		NCBA1AK-104W	C CAPACITOR	0.1μF,10V	L3001	NQR0129-002X	FERRITE BEADS	
C6128		NCBA1AK-473W	C CAPACITOR	0.047μF,10V	L3002	NQR0129-002X	FERRITE BEADS	
C6129		NCBA1CK-103W	C CAPACITOR	0.01μF,16V	L3004	NQR0006-001X	FERRITE BEADS	
C6130		NCBA1CK-103W	C CAPACITOR	0.01μF,16V	L3005	NQR0006-001X	FERRITE BEADS	
C6131		NCBA1CK-103W	C CAPACITOR	0.01μF,16V	L3007	NQL085J-2R2X	INDUCTOR	2.2μH
C6132		NCBA1CK-103W	C CAPACITOR	0.01μF,16V	L3008	NQL085J-120X	INDUCTOR	12μH
C6133		NCBA1HK-102W	C CAPACITOR	0.001μF,50V	L3012	NQR0129-002X	FERRITE BEADS	
C6134		NCB21CK-105X	C CAPACITOR	1μF,16V	L3014	NQL38DK-100X	P COIL	10μH
C6201		NCB21CK-105X	C CAPACITOR	1μF,16V	L3015	NQR0006-001X	FERRITE BEADS	
C6202		NCB10JK-106X	C CAPACITOR	10μF,6.3V	L3501	NQR0129-002X	FERRITE BEADS	
C6203		NCBA1HK-102W	C CAPACITOR	0.001μF,50V	L3502	NQL402M-100X	INDUCTOR	10μH
C6204		NCBA1HK-561W	C CAPACITOR	560pF,50V	L3503	NQR0006-001X	FERRITE BEADS	
C6205		NCB30JK-105X	C CAPACITOR	1μF,6.3V	L3504	NQR0006-001X	FERRITE BEADS	
C6206		NCB21CK-105X	C CAPACITOR	1μF,16V	L3505	NQR0006-001X	FERRITE BEADS	
C6207		NCB10JK-106X	C CAPACITOR	10μF,6.3V	L3701	NQL38DK-100X	P COIL	10μH
C6208		NCBA1EK-472W	C CAPACITOR	0.0047μF,25V	L3731	NQL085J-6R8X	INDUCTOR,E,F,G,H	6.8μH
C6209		NCB21CK-105X	C CAPACITOR	1μF,16V	L3732	NQL085J-6R8X	INDUCTOR,E,F,G,H	6.8μH
C6210		NCB10JK-106X	C CAPACITOR	10μF,6.3V	L3801	NQR0129-002X	FERRITE BEADS	
C6211		NCBA1HK-102W	C CAPACITOR	0.001μF,50V	L3802	NQR0129-002X	FERRITE BEADS	
C6212		NCB21CK-105X	C CAPACITOR	1μF,16V	L3803	NQR0006-001X	FERRITE BEADS	
C6213		NCB30JK-105X	C CAPACITOR	1μF,6.3V	L3804	NQL38DK-100X	P COIL	10μH
C6214		NCBA1AK-683W	C CAPACITOR	0.068μF,10V	L4201	NQR0129-002X	FERRITE BEADS	
C6215		NCB21CK-105X	C CAPACITOR	1μF,16V	L4301	NQR0129-002X	FERRITE BEADS	
C6216		NCB30JK-105X	C CAPACITOR	1μF,6.3V	L4302	NQR0129-002X	FERRITE BEADS	
C6217		NCB21CK-105X	C CAPACITOR	1μF,16V	L5501	NQL315K-100X	INDUCTOR	10μH
C6218		NCB21CK-105X	C CAPACITOR	1μF,16V	L5502	NQR0129-002X	FERRITE BEADS	
C6219		NCB11EK-105X	C CAPACITOR	1μF,25V	L5503	NQR0129-002X	FERRITE BEADS	
C6220		NCB21CK-105X	C CAPACITOR	1μF,16V	L5504	NQR0129-002X	FERRITE BEADS	
C6222		NCBA1CK-103W	C CAPACITOR	0.01μF,16V	L5505	NQL315K-100X	INDUCTOR	10μH
C6223		NCB21CK-105X	C CAPACITOR	1μF,16V	L5506	NQL315K-100X	INDUCTOR	10μH
C6224		NCB11EK-105X	C CAPACITOR	1μF,25V	L6001	NQL62EM-470X	INDUCTOR	47μH
C6225		NCB21CK-105X	C CAPACITOR	1μF,16V	L6101	NQLZ011-4R7X	INDUCTOR	4.7μH
C6226		NCB21CK-105X	C CAPACITOR	1μF,16V	L6102	NQLZ011-4R7X	INDUCTOR	4.7μH
C6701		NCB21CK-105X	C CAPACITOR	1μF,16V	L6201	NQLZ010-390X	INDUCTOR	39μH
C6702		NCB21CK-105X	C CAPACITOR	1μF,16V	L6202	NQLZ011-390X	INDUCTOR	39μH
C8701		NBE20JM-106X	TA E CAPACITOR	10μF,6.3V	L6203	NQLZ011-390X	INDUCTOR	39μH
C8702		NBE20JM-106X	TA E CAPACITOR	10μF,6.3V	L6204	NQL144K-220X	P COIL	22μH
C8703		NCBA1AK-104W	C CAPACITOR	0.1μF,10V	L6205	NQL62EM-470X	INDUCTOR	47μH
C8704		NCBA1AK-104W	C CAPACITOR	0.1μF,10V	L6206	NQL62EM-470X	INDUCTOR	47μH
C8705		NCBA1AK-104W	C CAPACITOR	0.1μF,10V	L6207	NQLZ011-221X	INDUCTOR	220μH
C8706		NCBA1AK-104W	C CAPACITOR	0.1μF,10V	L6701	NQL52EM-100X	INDUCTOR	10μH
C8707		NCBA1AK-104W	C CAPACITOR	0.1μF,10V	L8701	NQR0129-002X	FERRITE BEADS	
C8708		NCBA1AK-104W	C CAPACITOR	0.1μF,10V	L8702	NQR0129-002X	FERRITE BEADS	
C8709		NCBA1AK-104W	C CAPACITOR	0.1μF,10V	J101	QNZ0518-002	D CONNECTOR,DV	
C8710		NCBA1AK-104W	C CAPACITOR	0.1μF,10V	J102	QNZ0617-001	USB CONNECTOR,USB	
C8711		NCBA1AK-104W	C CAPACITOR	0.1μF,10V	J103	NNZ0088-001X	M CONNECTOR,MULTI	
C8712		NCBA1AK-104W	C CAPACITOR	0.1μF,10V	J104	QNA0035-001	DC JACK,DC JACK	
C8715		NCBA1AK-104W	C CAPACITOR	0.1μF,10V	X1001	NAX0578-001X	CRYSTAL	20MHz
C8717		NCBA1AK-104W	C CAPACITOR	0.1μF,10V	X1002	NAX0564-001X	CRYSTAL	
L2801		NQR0251-004X	FERRITE BEADS		X3002	NAX0480-001X	CRYSTAL	24.576MHz
L2802		NQR0251-004X	FERRITE BEADS		X5501	NAX0587-001X	CXO,54MHZ 5*3	
L2803		NRSA63J-0R0X	MG RESISTOR	0Ω,1/16W	X8701	NAX0398-001X	C OSCILLATOR,48M	
L2804		NRSA63J-0R0X	MG RESISTOR	0Ω,1/16W	SD1	LY33355-001A	SHIELD CASE(PR),PRE/REC	
L2805		NRSA63J-0R0X	MG RESISTOR	0Ω,1/16W	BK1	LY44288-001A	BRACKET(MULTI),FOR J103	
L1001		NQL402M-100X	INDUCTOR	10μH	OT1	LY30030-099A	SPACER(A)	
L1002		NQL402M-100X	INDUCTOR	10μH	OT2	LY30030-0C1A	SPACER(A)	
L1801		NQL402M-100X	INDUCTOR	10μH	OT3	LY30030-0A3A	SPACER(A)	
L2101		NQL402M-100X	INDUCTOR	10μH	OT4	LY30030-0A4A	SPACER(A)	

MODEL	MARK	MODEL	MARK
GR-DX25EK	A	GR-DX35EK	E
GR-DX25EX	B	GR-DX35EX	F
GR-DX25EY	C	GR-DX35EY	G
GR-DX25EZ	D	GR-DX35EZ	H

#	△ REF No.	PART No.	PART NAME, DESCRIPTION
	OT5	LY30030-0A5A	SPACER(A)
	OT6	LY44243-001A	SHEET(PWB),B TO B
	OT7	LY30030-0F6A	SPACER(A)
	OT8	LY30030-0M3A	SPACER(A),FOR J103
	CN101	QGF0530F1-17W	FPC CONNE,BATT.TERM.
	CN102	QGF0532F1-20X	FFC/FPC CONNE,CCD
	CN103	QGF0517F1-06X	FPC CONNE,LOAD.MOTOR
	CN104	QGF0517F2-11X	FPC CONNE,DRUM MOTOR
	CN105	QGB0509M3-30X	B TO B CONNE,JIG CN
	CN106	QGF0517F2-16X	FPC CONNE,SENSOR FPC(1-16)
	CN107	QGF0517F2-06X	FPC CONNE,R.ENC
	CN108	QGF0517F2-18X	FPC CONNE,CAPSTAN
	CN109	QGB0405L1-60X	B TO B CONNE,SD PWB
	CN110	QGF0517F1-08X	FPC CONNE,HEAD FFC/FPC(1-8)
	CN111	QGF0517F2-11X	FPC CONNE,CAMERA OPE
	CN112	QGF0517F1-09X	FPC CONNE,SUB OPE
	CN113	QGF0306F2-49X	FFC/FPC CONNE,MONI PWB
	CN114	QGA1001F1-04X	W TO B CONNE,MIC
△	F1601	NMFZ007-R20X-K	FUSE,UNREG 0.2A,50V
△	F1602	NMFZ007-R50X-K	FUSE,REG_3V 0.5A,50V
△	F6001	NMFZ007-R50X-K	FUSE 0.5A,50V
△	F6101	NMFZ007-2R0X-K	FUSE 2A,32V
△	F6201	NMFZ007-1R25X-K	FUSE 1.25A,32V
△	F6701	NMFZ007-1R25X-K	FUSE 1.25A,32V

\*\*\*\*\*

**CCD BOARD ASSEMBLY <02>**

PW1	YB10429A-01	CCD PWB ASS'Y,02,A,B,C,D
PW1	YB10429A-02	CCD PWB ASS'Y,02,E,F,G,H
Q5001	2SC3931/CD/-X	TRANSISTOR
R5001	NRSA63J-182X	MG RESISTOR 1.8kΩ,1/16W
R5002	NRSA63J-104X	MG RESISTOR 100kΩ,1/16W
R5006	NRSA63J-0R0X	MG RESISTOR 0Ω,1/16W
C5001	NBP41DM-106X	TA E CAPACITOR,A,B,C,D 10μF,20V
C5001	NBZ0018-106X	TA E CAPACITOR,E,F,G,H 10μF,20V
C5002	NCF31EZ-104X	C CAPACITOR 0.1μF,25V
C5003	NBE21AM-106X	TA E CAPACITOR 10μF,10V
C5004	NCB31CK-104X	C CAPACITOR 0.1μF,16V
C5005	NCB31CK-104X	C CAPACITOR 0.1μF,16V
C5006	NCB31CK-104X	C CAPACITOR 0.1μF,16V
C5007	NCB31HK-222X	C CAPACITOR 0.0022μF,50V
L5001	NQL315K-100X	INDUCTOR 10μH
L5002	NQL315K-100X	INDUCTOR 10μH

\*\*\*\*\*

**SD BOARD ASSEMBLY <03>**

PW1	YB10431B-01	SD PWB ASS'Y,03
IC4802	BA10358FVM-W	IC,HALL AMP+
IC4803	BA10358FVM-W	IC,HALL AMP-
IC4804	LM358DR2-X	IC,DRIVE AMP
IC4851	UPD16879GS-X	IC,F/Z_MDA
Q4801	2SC4655/BC/-X	TRANSISTOR,HALL DRIVE
Q4806	2SC4617/QR/-X	TRANSISTOR,2SC4617/QR
Q4851	2SC4617/RS/-X	TRANSISTOR
R4804	NRSA6AJ-102W	MG RESISTOR 1kΩ,1/16W
R4805	NRSA6AJ-103W	MG RESISTOR 10kΩ,1/16W
R4806	NRSA6AJ-683W	MG RESISTOR 68kΩ,1/16W
R4807	NRSA6AJ-823W	MG RESISTOR 82kΩ,1/16W
R4808	NRSA6AJ-243W	MG RESISTOR 24kΩ,1/16W

#	△ REF No.	PART No.	PART NAME, DESCRIPTION
	R4809	NRSA6AJ-681W	MG RESISTOR 680Ω,1/16W
	R4810	NRSA6AJ-103W	MG RESISTOR 10kΩ,1/16W
	R4811	NRSA6AJ-824W	MG RESISTOR 820kΩ,1/16
	R4812	NRSA6AJ-153W	MG RESISTOR 15kΩ,1/16W
	R4814	NRSA6AJ-105W	MG RESISTOR 1MΩ,1/16W
	R4815	NRSA6AJ-472W	MG RESISTOR 4.7kΩ,1/16W
	R4816	NRSA6AJ-105W	MG RESISTOR 1MΩ,1/16W
	R4817	NRSA6AJ-334W	MG RESISTOR 330kΩ,1/16W
	R4818	NRSA6AJ-154W	MG RESISTOR 150kΩ,1/16W
	R4819	NRSA6AJ-103W	MG RESISTOR 10kΩ,1/16W
	R4820	NRSA6AJ-104W	MG RESISTOR 100kΩ,1/16W
	R4821	NRSA6AJ-104W	MG RESISTOR 100kΩ,1/16W
	R4822	NRSA6AJ-333W	MG RESISTOR 33kΩ,1/16W
	R4823	NRSA6AJ-102W	MG RESISTOR 1kΩ,1/16W
	R4824	NRSA6AJ-472W	MG RESISTOR 4.7kΩ,1/16W
	R4827	NRSA6AJ-0R0W	MG RESISTOR 0Ω,1/16W
	R4828	NRSA6AJ-0R0W	MG RESISTOR 0Ω,1/16W
	R4833	NRSA6AJ-104W	MG RESISTOR 100kΩ,1/16W
	R4836	NRSA6AJ-102W	MG RESISTOR 1kΩ,1/16W
	R4841	NRSA6AJ-0R0W	MG RESISTOR 0Ω,1/16W
	R4842	NRSA6AJ-0R0W	MG RESISTOR 0Ω,1/16W
	R4843	NRSA6AJ-0R0W	MG RESISTOR 0Ω,1/16W
	R4844	NRSA6AJ-151W	MG RESISTOR 150Ω,1/16W
	R4854	NRSA6AJ-0R0W	MG RESISTOR 0Ω,1/16W
	R4856	NRSA6AJ-6R8W	MG RESISTOR 6.8Ω,1/16W
	R4857	NRSA6AJ-6R8W	MG RESISTOR 6.8Ω,1/16W
	R4858	NRSA6AJ-333W	MG RESISTOR 33kΩ,1/16W
	R4859	NRSA6AJ-0R0W	MG RESISTOR 0Ω,1/16W
	R4860	NRSA6AJ-0R0W	MG RESISTOR 0Ω,1/16W
	R4862	NRSA6AJ-6R8W	MG RESISTOR 6.8Ω,1/16W
	R4863	NRSA6AJ-6R8W	MG RESISTOR 6.8Ω,1/16W
	R4864	NRSA6AJ-102W	MG RESISTOR 1kΩ,1/16W
	R4865	NRSA6AJ-102W	MG RESISTOR 1kΩ,1/16W
	R4866	NRSA6AJ-102W	MG RESISTOR 1kΩ,1/16W
	R4867	NRSA6AJ-102W	MG RESISTOR 1kΩ,1/16W
	R4868	NRSA6AJ-0R0W	MG RESISTOR 0Ω,1/16W
	R4870	NRSA6AJ-271W	MG RESISTOR 270Ω,1/16W
	R4871	NRSA6AJ-0R0W	MG RESISTOR 0Ω,1/16W
	R4874	NRSA6AJ-0R0W	MG RESISTOR 0Ω,1/16W
	R4875	NRSA6AJ-0R0W	MG RESISTOR 0Ω,1/16W
	C4803	NBZ0015-106X	TA E CAPACITOR 10μF,6.3V
	C4804	NCFA1AZ-104W	C CAPACITOR 0.1μF,10V
	C4806	NCFA1AZ-104W	C CAPACITOR 0.1μF,10V
	C4808	NCB30JK-105X	C CAPACITOR 1μF,6.3V
	C4809	NCFA1AZ-104W	C CAPACITOR 0.1μF,10V
	C4810	NCBA1CK-103W	C CAPACITOR 0.01μF,16V
	C4811	NCBA1CK-103W	C CAPACITOR 0.01μF,16V
	C4812	NCFA1AZ-104W	C CAPACITOR 0.1μF,10V
	C4813	NCFA1AZ-104W	C CAPACITOR 0.1μF,10V
	C4814	NCFA1AZ-104W	C CAPACITOR 0.1μF,10V
	C4815	NCB31HK-152X	C CAPACITOR 0.0015μF,50V
	C4819	NCB31CK-104X	C CAPACITOR 0.1μF,16V
	C4851	NBE20JM-106X	TA E CAPACITOR 10μF,6.3V
	C4852	NCFA1AZ-104W	C CAPACITOR 0.1μF,10V
	C4853	NBE21AM-335X	TA E CAPACITOR 3.3μF,10V
	C4854	NBE21AM-106X	TA E CAPACITOR 10μF,10V
	C4855	NCB31CK-104X	C CAPACITOR 0.1μF,16V
	C4858	NDCA1HJ-330W	C CAPACITOR 33pF,50V
	C4859	NCBA1CK-223W	C CAPACITOR 0.022μF,16V
	C4860	NCBA1CK-223W	C CAPACITOR 0.022μF,16V
	C4861	NCBA1CK-103W	C CAPACITOR 0.01μF,16V
	C4862	NCBA1CK-103W	C CAPACITOR 0.01μF,16V
	C4864	NBE20JM-106X	TA E CAPACITOR 10μF,6.3V

MODEL	MARK	MODEL	MARK
GR-DX25EK	A	GR-DX35EK	E
GR-DX25EX	B	GR-DX35EX	F
GR-DX25EY	C	GR-DX35EY	G
GR-DX25EZ	D	GR-DX35EZ	H

#	△ REF No.	PART No.	PART NAME, DESCRIPTION	
	C4865	NCBA1AK-104W	C CAPACITOR	0.1μF,10V
	L4802	NQL302N-100X	INDUCTOR	10μH
	L4851	NQR0129-002X	FERRITE BEADS	
	L4852	NQL315K-100X	INDUCTOR	10μH
	L4853	NQL315K-100X	INDUCTOR	10μH
	OT1	LY30029-0K7A	SPACER(A)	
	CN301	QGB0405M1-60X	B TO B CONNE,60P B/B	
	CN302	QGF0530F1-24W	FPC CONNE,OP	
	CN303	QGF0517F1-07X	FPC CONNE,SIDE OPE	
	CN304	QGF0530F1-18W	FPC CONNE,VF	

\*\*\*\*\*

**SIDE OPE BOARD ASSEMBLY <04>**

	PW1	YB20950B-01	SIDE OPE PASSY,04	
	R401	NRSA6AJ-223W	MG RESISTOR	22kΩ,1/16W
	R402	NRSA6AJ-682W	MG RESISTOR	6.8kΩ,1/16W
	R403	NRSA6AJ-332W	MG RESISTOR	3.3kΩ,1/16W
	S401	NSW0198-001X	TACT SWITCH	
	S402	NSW0198-001X	TACT SWITCH	
	S403	NSW0198-001X	TACT SWITCH	
	S406	NSW0120-002X	PUSH SWITCH,EJECT SW	
	S407	NSW0201-001X	PUSH SWITCH,VF SW	
△	BT401	QAB0040-001	LI BATTERY	
	SD1	LY44286-001A	SHIELD(SIDE OPE	
	CN401	QGF0517F1-07X	FPC CONNE,SD PWB	

\*\*\*\*\*

**MONITOR BOARD ASSEMBLY <06>**

	PW1	YB20952A-02	MONITOR P ASS'Y,06,A,B,C,D	
	PW1	YB20952A-03	MONITOR P ASS'Y,06,E,F,G,H	
	IC7601	AN12550A	IC	
	IC7602	LM358DR2-X	IC	
	IC7603	——	IC	
	IC7604	MM1385GN-X	IC	
	IC7605	TA75S393F-X	IC	
	IC7606	SN74AHC1G08K-X	IC	
	Q7501	2SD1664/QR/-W	TRANSISTOR	
	Q7502	2SD1664/QR/-W	TRANSISTOR	
	Q7503	DTA144EE-X	DIGI TRANSISTOR	
	Q7503	or RN2104-X	DIGI TRANSISTOR	
	Q7503	or UN9113J-X	DIGI TRANSISTOR	
	Q7504	2SC4617/QR/-X	TRANSISTOR	
	Q7504	or 2SC4738/YG/-X	TRANSISTOR	
	Q7601	2SC4617/QR/-X	TRANSISTOR	
	Q7601	or 2SC4738/YG/-X	TRANSISTOR	
	Q7602	2SA1774/QR/-X	TRANSISTOR	
	Q7602	or 2SA1832/YG/-X	TRANSISTOR	
	Q7603	2SC4617/QR/-X	TRANSISTOR	
	Q7603	or 2SC4738/YG/-X	TRANSISTOR	
	Q7604	2SA1774/QR/-X	TRANSISTOR	
	Q7604	or 2SA1832/YG/-X	TRANSISTOR	
	Q7605	UMD3N-W	DIGI TRANSISTOR	
	Q7605	or XP4311-W	DIGI TRANSISTOR	
	Q7607	DTA124EE-X	DIGI TRANSISTOR	
	Q7608	DTC124EE-X	DIGI TRANSISTOR	
	Q7609	2SD2654/W/-X	TRANSISTOR	
	Q7610	2SC4617/QR/-X	TRANSISTOR	
	D7601	RB480Y-W	SB DIODE	
	D7602	MA111-X	SI DIODE	

#	△ REF No.	PART No.	PART NAME, DESCRIPTION	
	R7501	NRSA63J-102X	MG RESISTOR	1kΩ,1/16W
	R7502	NRSA63J-102X	MG RESISTOR	1kΩ,1/16W
	R7503	NRSA63J-102X	MG RESISTOR	1kΩ,1/16W
	R7506	NRSA63J-473X	MG RESISTOR	47kΩ,1/16W
	R7507	NRSA63J-473X	MG RESISTOR	47kΩ,1/16W
	R7601	NRVA63D-622X	CMF RESISTOR	6.2kΩ,1/16W
	R7602	NRSA63J-153X	MG RESISTOR	15kΩ,1/16W
	R7604	NRVA63D-223X	CMF RESISTOR	22kΩ,1/16W
	R7605	NRVA63D-223X	CMF RESISTOR	22kΩ,1/16W
	R7606	NRVA63D-223X	CMF RESISTOR	22kΩ,1/16W
	R7607	NRSA63J-223X	MG RESISTOR	22kΩ,1/16W
	R7608	NRSA63J-223X	MG RESISTOR	22kΩ,1/16W
	R7609	NRSA02J-330X	MG RESISTOR	33Ω,1/10W
	R7610	NRSA02J-330X	MG RESISTOR	33Ω,1/10W
	R7611	NRSA63J-333X	MG RESISTOR	33kΩ,1/16W
	R7612	NRSA63J-335X	MG RESISTOR	3.3MΩ,1/16W
	R7614	NRVA63D-223X	CMF RESISTOR	22kΩ,1/16W
	R7615	NRVA63D-433X	CMF RESISTOR	43kΩ,1/16W
	R7616	NRVA63D-821X	CMF RESISTOR	820Ω,1/16W
	R7617	NRSA63J-153X	MG RESISTOR	15kΩ,1/16W
	R7619	NRSA63J-473X	MG RESISTOR	47kΩ,1/16W
	R7621	NRSA63J-332X	MG RESISTOR	3.3kΩ,1/16W
	R7622	NRSA63J-0R0X	MG RESISTOR	0Ω,1/16W
	R7628	NRVA63D-333X	CMF RESISTOR	33kΩ,1/16W
	R7629	NRVA63D-153X	CMF RESISTOR	15kΩ,1/16W
	R7630	NRVA63D-222X	CMF RESISTOR	2.2kΩ,1/16W
	R7631	NRSA63J-153X	MG RESISTOR	15kΩ,1/16W
	R7632	NRSA63J-394X	MG RESISTOR	390kΩ,1/16W
	R7633	NRSA63J-103X	MG RESISTOR	10kΩ,1/16W
	R7634	NRSA63J-153X	MG RESISTOR	15kΩ,1/16W
	R7635	NRSA63J-393X	MG RESISTOR	39kΩ,1/16W
	R7636	NRSA63J-562X	MG RESISTOR	5.6kΩ,1/16W
	R7639	NRSA63J-473X	MG RESISTOR	47kΩ,1/16W
	R7640	NRSA63J-473X	MG RESISTOR	47kΩ,1/16W
	R7642	NRSA63J-0R0X	MG RESISTOR,E,F,G,H	0Ω,1/16W
	C7501	NCZ1016-100X	C CAPACITOR	10pF,2kV
	C7503	NFV41HJ-183X	MPPS CAPACITOR	0.018μF,50V
	C7504	NCB31EK-103X	C CAPACITOR	0.01μF,25V
	C7505	NBE20JM-106X	TA E CAPACITOR	10μF,6.3V
	C7510	NCB10JK-106X	C CAPACITOR	10μF,6.3V
	C7601	NBE90JM-106X	TA E CAPACITOR	10μF,6.3V
	C7602	NCB30JK-105X	C CAPACITOR	1μF,6.3V
	C7603	NCB30JK-105X	C CAPACITOR	1μF,6.3V
	C7604	NBE21AM-106X	TA E CAPACITOR	10μF,10V
	C7605	NCB31CK-104X	C CAPACITOR	0.1μF,16V
	C7606	NCB11CK-225X-A	C CAPACITOR	2.2μF,16V
	C7607	NCB11CK-225X-A	C CAPACITOR	2.2μF,16V
	C7608	NCB11CK-225X-A	C CAPACITOR	2.2μF,16V
	C7609	NCB31CK-104X	C CAPACITOR	0.1μF,16V
	C7610	NCB31CK-104X	C CAPACITOR	0.1μF,16V
	C7611	NCB11CK-225X	C CAPACITOR	2.2μF,16V
	C7612	NCB21CK-105X	C CAPACITOR	1μF,16V
	C7613	NBP41DM-106X	TA E CAPACITOR	10μF,20V
	C7614	NCB31CK-104X	C CAPACITOR	0.1μF,16V
	C7615	NCB31CK-104X	C CAPACITOR	0.1μF,16V
	C7616	NRSA02J-274X	MG RESISTOR	270kΩ,1/10W
	C7617	NCB31CK-104X	C CAPACITOR	0.1μF,16V
	C7618	NCB30JK-105X	C CAPACITOR	1μF,6.3V
	C7619	NCB30JK-105X	C CAPACITOR	1μF,6.3V
	C7620	NCB31EK-103X	C CAPACITOR	0.01μF,25V
	C7621	NCB31HK-152X	C CAPACITOR	0.0015μF,50V
	C7622	NBE20JM-225X	TA E CAPACITOR	2.2μF,6.3V
	C7623	NCB30JK-105X	C CAPACITOR	1μF,6.3V

MODEL	MARK	MODEL	MARK
GR-DX25EK	A	GR-DX35EK	E
GR-DX25EX	B	GR-DX35EX	F
GR-DX25EY	C	GR-DX35EY	G
GR-DX25EZ	D	GR-DX35EZ	H

#	△ REF No.	PART No.	PART NAME, DESCRIPTION	
	C7624	NBE90JM-106X	TA E CAPACITOR	10μF,6.3V
	C7625	NCB31HK-102X	C CAPACITOR	0.001μF,50V
	C7626	NCB30JK-105X	C CAPACITOR	1μF,6.3V
	C7627	NCB30JK-105X	C CAPACITOR	1μF,6.3V
	C7628	NCB30JK-105X	C CAPACITOR	1μF,6.3V
	C7629	NBP41EM-475X	TA E CAPACITOR	4.7μF,25V
	C7631	NCB31CK-104X	C CAPACITOR	0.1μF,16V
	C7632	NBP41EM-475X	TA E CAPACITOR	4.7μF,25V
	C7633	NCB21CK-105X	C CAPACITOR	1μF,16V
	C7634	NBE90JM-106X	TA E CAPACITOR	10μF,6.3V
	C7635	NCB31CK-104X	C CAPACITOR	0.1μF,16V
	C7636	NCB31CK-104X	C CAPACITOR	0.1μF,16V
	C7637	NCB11CK-105X	C CAPACITOR	1μF,16V
	C7638	NCB31EK-103X	C CAPACITOR	0.01μF,25V
	C7639	NBE90JM-106X	TA E CAPACITOR	10μF,6.3V
	C7640	NCB31EK-103X	C CAPACITOR	0.01μF,25V
	C7642	NCB30JK-105X	C CAPACITOR	1μF,6.3V
	C7643	NBP21CM-335X	TA E CAPACITOR	3.3μF,16V
	C7645	NCB31CK-104X	C CAPACITOR	0.1μF,16V
	C7646	NCB31EK-103X	C CAPACITOR	0.01μF,25V
	C7647	NBE90JM-106X	TA E CAPACITOR	10μF,6.3V
	C7649	NCB31CK-104X	C CAPACITOR	0.1μF,16V
	C7651	NCB31CK-104X	C CAPACITOR	0.1μF,16V
	C7652	NCB31CK-104X	C CAPACITOR	0.1μF,16V
	L7601	NQL04DK-100X	INDUCTOR	10μH
	L7602	NQL04DK-100X	INDUCTOR	10μH
	L7603	NQL04DK-100X	INDUCTOR	10μH
	L7604	NQL04DK-100X	INDUCTOR	10μH
	L7605	NQL04DK-100X	INDUCTOR	10μH
	L7606	NQL04DK-100X	INDUCTOR	10μH
	L7607	NQL04DK-100X	INDUCTOR	10μH
	L7501	NQL76EM-680X	INDUCTOR	68μH
	L7502	NQL76EM-220X	INDUCTOR	22μH
△	T7501	NQS0059-001X	SIGNAL SW TRANS	
	WR1	YU40017-015-1	THIN WIRE,GND,A,B,C,D	
	CN7601	QGF0306F2-45X	FFC/FPC CONNE,MAIN	
	CN7602	QGF0530F1-24W	FPC CONNE,LCD	
△	F7501	NMFZ007-R40X-K	FUSE	0.4A,50V

#	△ REF No.	PART No.	PART NAME, DESCRIPTION
---	-----------	----------	------------------------

\*\*\*\*\*

**VFBW BOARD ASSEMBLY <08>**

PW1	YB20954A	VFBW P.ASS'Y,07 (BW VF),A,B,C,D	
PW1	YB20954A-02	VFBW P.ASS'Y,07 (BW VF),E,F,G,H	
Q7001	PUMX1-W	PAIR TRANSISTOR	
D7001	E1S35AW0C501-X	LED	
R7001	NRVA63D-332X	CMF RESISTOR	3.3kΩ,1/16W
R7002	NRVA63D-561X	CMF RESISTOR	560Ω,1/16W
R7003	NRVA63D-470X	CMF RESISTOR,A,B,C,D	47Ω,1/16W
R7003	NRSA63J-820X	MG RESISTOR,E,F,G,H	82Ω,1/16W
R7004	NRSA63J-102X	MG RESISTOR	1kΩ,1/16W
C7001	NCF31CZ-104X	C CAPACITOR	0.1μF,16V
C7002	NCF31CZ-104X	C CAPACITOR	0.1μF,16V
C7003	NCF31CZ-104X	C CAPACITOR	0.1μF,16V
C7004	NCF31CZ-104X	C CAPACITOR	0.1μF,16V
CN7001	QGF0530F1-18W	FPC CONNE,SD,A,B,C,D	
CN7001	QGF0532F1-18X	FFC/FPC CONNE,SD,E,F,G,H	
CN7002	QGF0530F1-20W	FPC CONNE,LCD	