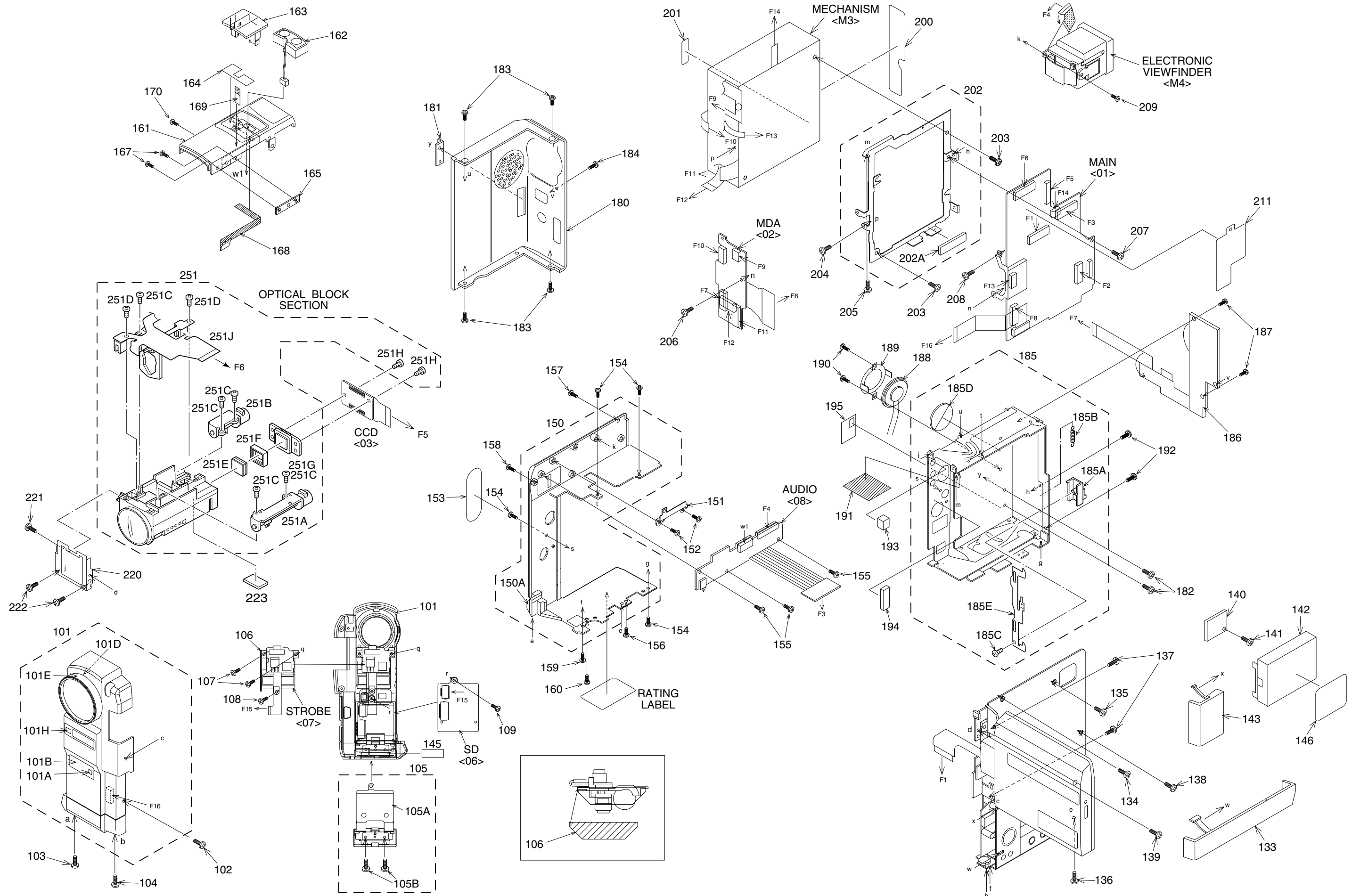
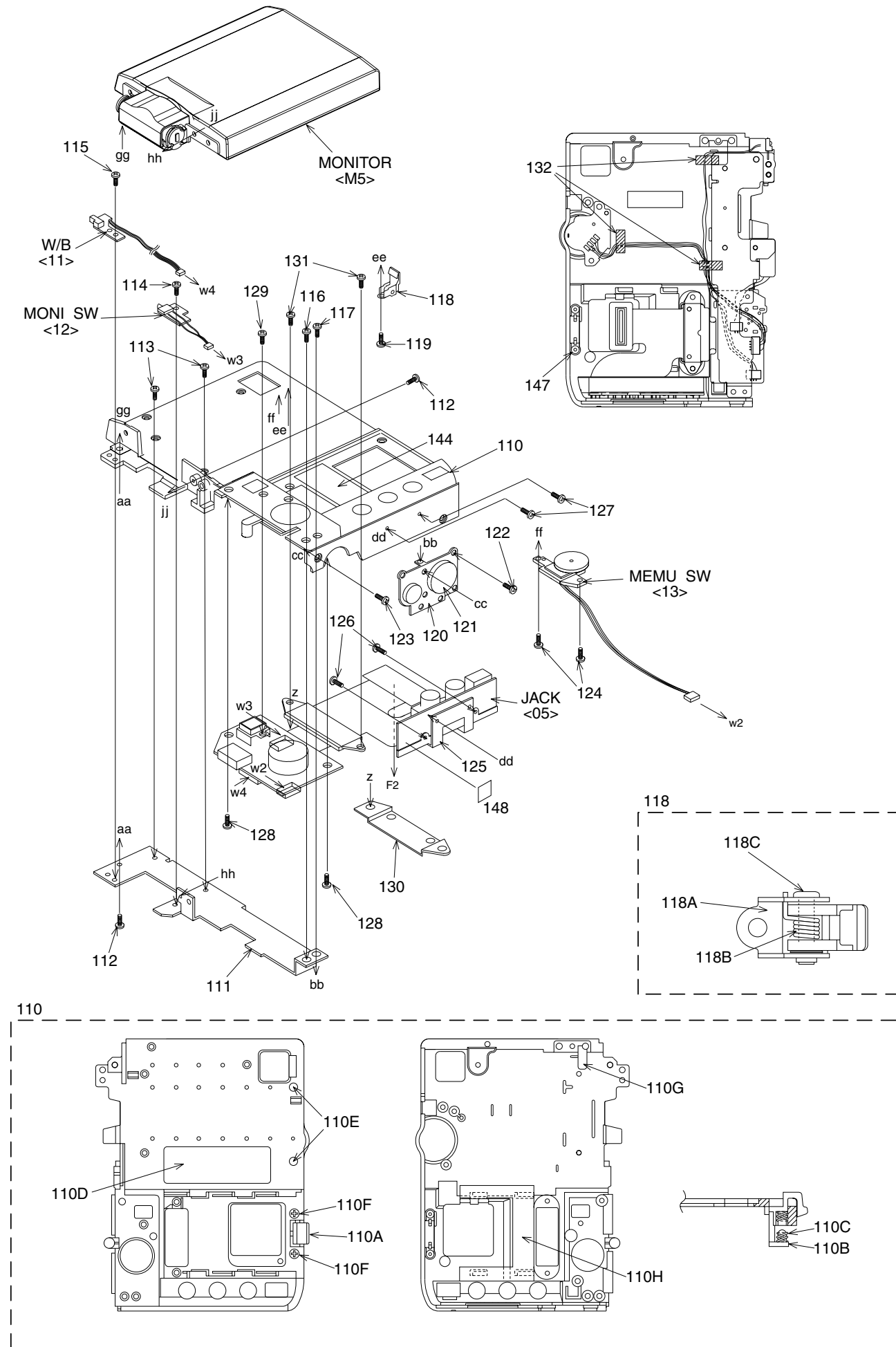


5.2 FINAL ASSEMBLY <M2>



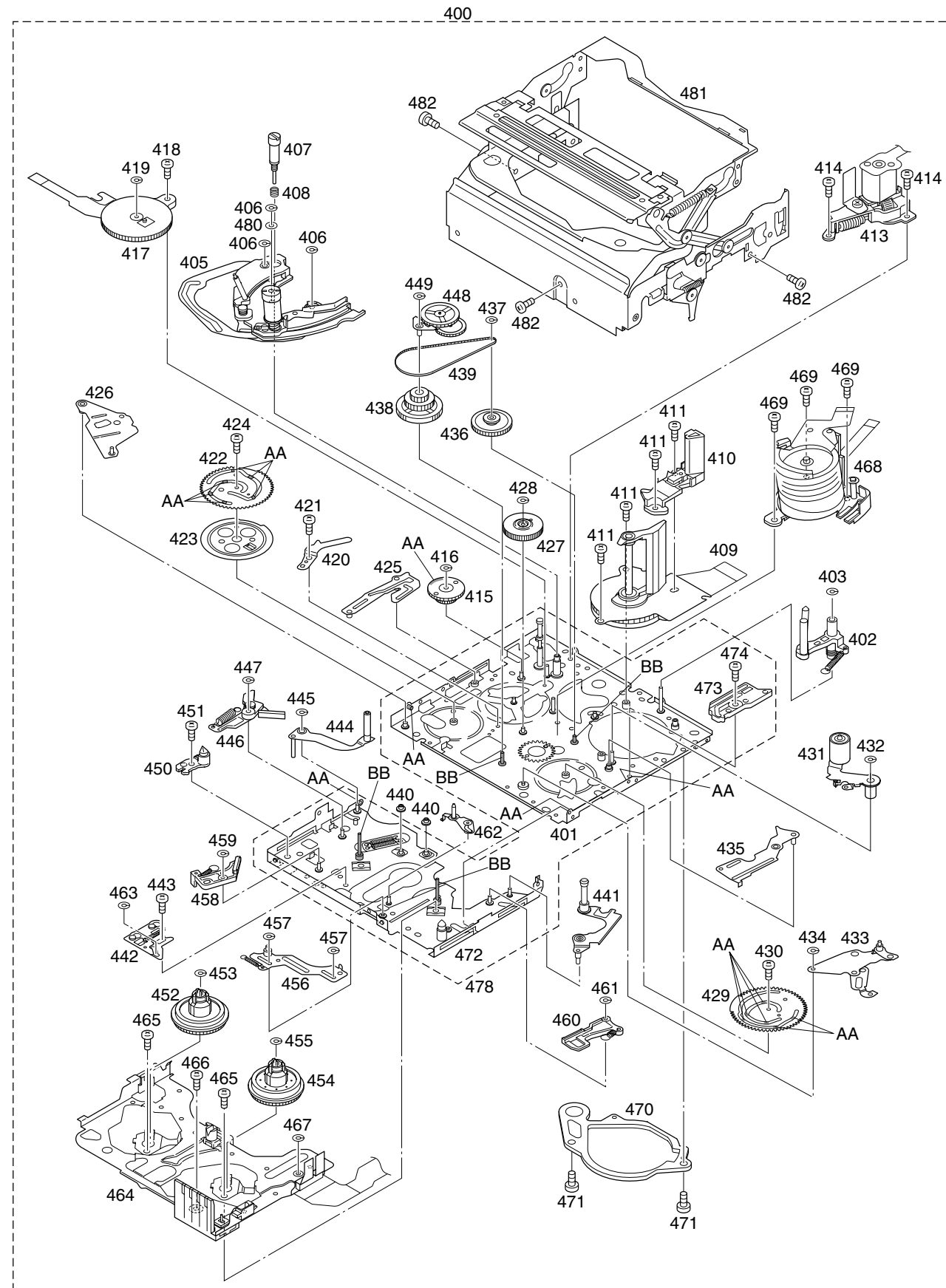


#	REF No.	PART No.	PART NAME, DESCRIPTION

FINAL ASSEMBLY <M2>			
101		LY20858-005A	FRONT COVER ASSY
101A		LY43478-001A	INDICATOR
101B		LY43479-001A	WINDOW(IR)
101D		LY32664-002A	HOOD
101E		LY32665-001A	RING
101H		LY43480-001A	WINDOW(STB)
102		LY30018-0B7A	SPECIAL SCREW
103		LY30018-0F4A	SPECIAL SCREW
104		LY30018-0A3A	SPECIAL SCREW
105		LY32667-001A	COVER(SD)ASSY
105A		LY32669-001A	HINGE ASSY
105B		LY30018-0F3A	SPECIAL SCREW,X2
106		LY43780-001A	SHEET(STB)
107		LY30018-063A	SPECIAL SCREW,X2
108		LY30018-063A	SPECIAL SCREW
109		LY30018-063A	SPECIAL SCREW
110		LY32661-004D	UPPER CASE ASSY
110A		LY32662-001A	KNOB(LOCK)
110B		LY32663-001A	HOLDER(KNOB)
110C		LY30002-027A	COMPRESSION SPRING
110D		LY43575-001A	SHEET(CAUTION)
110E		LY42350-001A	FOOT,X2
110F		LY30018-0G4A	SPECIAL SCREW,X2
110G		LY43573-001A	SHEET(EARTH)
110H		LY43826-001A	SHEET(UPPER)
111		LY32697-001A	BRACKET(UPPER)
112		LY30018-0F7A	SPECIAL SCREW,X2
113		LY30018-006B	SPECIAL SCREW,X2
114		LY30018-0E3A	SPECIAL SCREW
115		LY30018-0E4A	SPECIAL SCREW
116		LY30018-0E4A	SPECIAL SCREW
117		LY30018-0E4A	SPECIAL SCREW
118		LY43472-001A	MONI LOCK ASSY
118A		LY43473-001A	BRACKET(MONI LOCK)
118B		LY43474-001A	TORSION SPRING
118C		LY30019-043A	SPECIAL SCREW
119		LY30018-021A	SPECIAL SCREW
120		LY43560-001A	BRACKET(BASE)
121		LY32673-001A	BASE
122		LY30018-063A	SPECIAL SCREW
123		LY30018-0A3A	SPECIAL SCREW
124		LY30018-063A	SPECIAL SCREW,X2
125		LY32696-001A	BRACKET(JACK PWB)
126		LY30018-032A	SPECIAL SCREW,X2
127		LY30018-0E3A	SPECIAL SCREW,X2
128		LY30018-063A	SPECIAL SCREW,X2
129		LY30018-0E4A	SPECIAL SCREW
130		LY43486-001A	BRACKET(TERMINAL)
131		LY30018-0E4A	SPECIAL SCREW,X2
132		LY30029-023A	SPACER(A),X3
133		LY32639-001B	COVER(JACK)
134		LY30018-012A	SPECIAL SCREW
135		LY30018-0B7A	SPECIAL SCREW
136		LY30018-065A	SPECIAL SCREW
137		QYSPSGT1780R	SCREW,X2
138		LY30018-0E4A	SPECIAL SCREW
139		LY30018-0F6A	SPECIAL SCREW
140		LY32677-002A	COVER(JIG)
141		LY30018-026A	SPECIAL SCREW
142		LY32678-001A	DUMMY BATTERY
143		LY43483-001A	COVER(DV)ASSY
144		LY43571-001A	STICKER
145		LY43825-001A	SHEET(FRONT)
146		LY43637-006A	STICKER
147		LY30029-0Z3A	SPACER(A)
148		LY30030-007A	SPACER(A),C
150		LY20841-003B	LOWER CASE ASSY

#	REF No.	PART No.	PART NAME, DESCRIPTION
150A		LY43482-001A	SHAFT
151		LY32656-001A	BRACKET(LOWER)
152		LY30018-019A	SPECIAL SCREW,X2
153		LY43513-001A	SHEET(ADJUST)
154		LY30018-0E3A	SPECIAL SCREW,X4
155		LY30018-063A	SPECIAL SCREW,X3
156		LY30018-0E3A	SPECIAL SCREW
157		LY30018-063A	SPECIAL SCREW
158		LY30018-0F5A	SPECIAL SCREW
159		LY30018-0A3A	SPECIAL SCREW
160		LY30018-065A	SPECIAL SCREW
161		LY20853-001A	TOP COVER
162		LY32582-001A	MICROPHONE
163		LY32655-001A	MIC COVER
164		LY43568-001A	SHEET(MIC)
165		LY43471-001A	BRACKET(TOP)
167		LY30018-005A	SPECIAL SCREW,X2
168		LY43569-001A	EARTH SHEET
169		LY43763-001A	EARTH(MIC COV.)
170		LY30018-012A	SPECIAL SCREW
180		LY32702-003A	CASSETTE COVER ASSY
181		LY43462-001A	HOOK
182		LY30018-038A	SPECIAL SCREW,X2
183		LY30018-0E3A	SPECIAL SCREW,X4
184		LY30018-0D5A	SPECIAL SCREW
185		LY20850-001B	ARM ASSY
185A		LY32652-001B	KNOB(LOCK)
185B		LY30001-023A	TENSION SPRING
185C		LY30018-0E8A	SPECIAL SCREW
185D		LY43468-001A	SPACER(SPK)
185E		LY32653-001A	PLATE(LOCK)
186		LY20840-001B	CAMERA OPE UNIT
187		LY30018-0E3A	SPECIAL SCREW,C
		LY30018-0E3A	SPECIAL SCREW,X2,A,B,D,E
188		QAS0103-001	SPEAKER
189		LY43469-001A	BRACKET(SPK)
190		LY30018-0E3A	SPECIAL SCREW,X2
191		LY43810-001A	SHEET(ARM)
192		LY30018-0E3A	SPECIAL SCREW,X2
193		LY30029-0Z1A	SPACER(A)
194		LY30029-0Z2A	SPACER(A)
195		LY30029-0Y9A	SPACER(A)
200		LY40698-002A	LABEL(HOUSING)
201		LY40699-002A	LABEL(PUSH)
202		LY43881-001A	BRACKET(MECHA)ASSY
202A		LY43866-001A	SPACER(MECHA)
203		LY30019-026A	SPECIAL SCREW,X2
204		YQ43893-4	MINI SCREW
205		LY30018-0E3A	SPECIAL SCREW
206		LY30018-065A	SPECIAL SCREW
207		LY30018-065A	SPECIAL SCREW
208		YQ43893-4	MINI SCREW
209		LY30018-063A	SPECIAL SCREW
211		LY43876-001A	SHEET(MAIN)
220		LY32682-001A	OP BRACKET(J7C)
221		LY30019-042A	SPECIAL SCREW
222		LY30018-0E3A	SPECIAL SCREW,X2
223		LY30029-0E9A	SPACER(A)
- OPTICAL BLOCK SECTION -			
251		J7C-113A	OPTICAL BLOCK ASSY
251A		LY31572-001A	ZOOM MOTOR
251B		LY31571-001A	FOCUS MOTOR
251C		LY30727-002A	SCREW,X5
251D		LY30727-001A	SCREW,X2
251E		LY43384-001A	OPTICAL LPF
251F		LY43494-001A	SHEET
251G		LYH30375-003A	CCD BASE ASSY
251H		QYSPSGU1750Z	SCREW,X2
251J		LY32760-001A	IRIS MOTOR UNIT

BEWARE OF BOGUS PARTS
 Parts that do not meet specifications may cause trouble in regard to safety and performance. We recommend that genuine JVC parts be used.



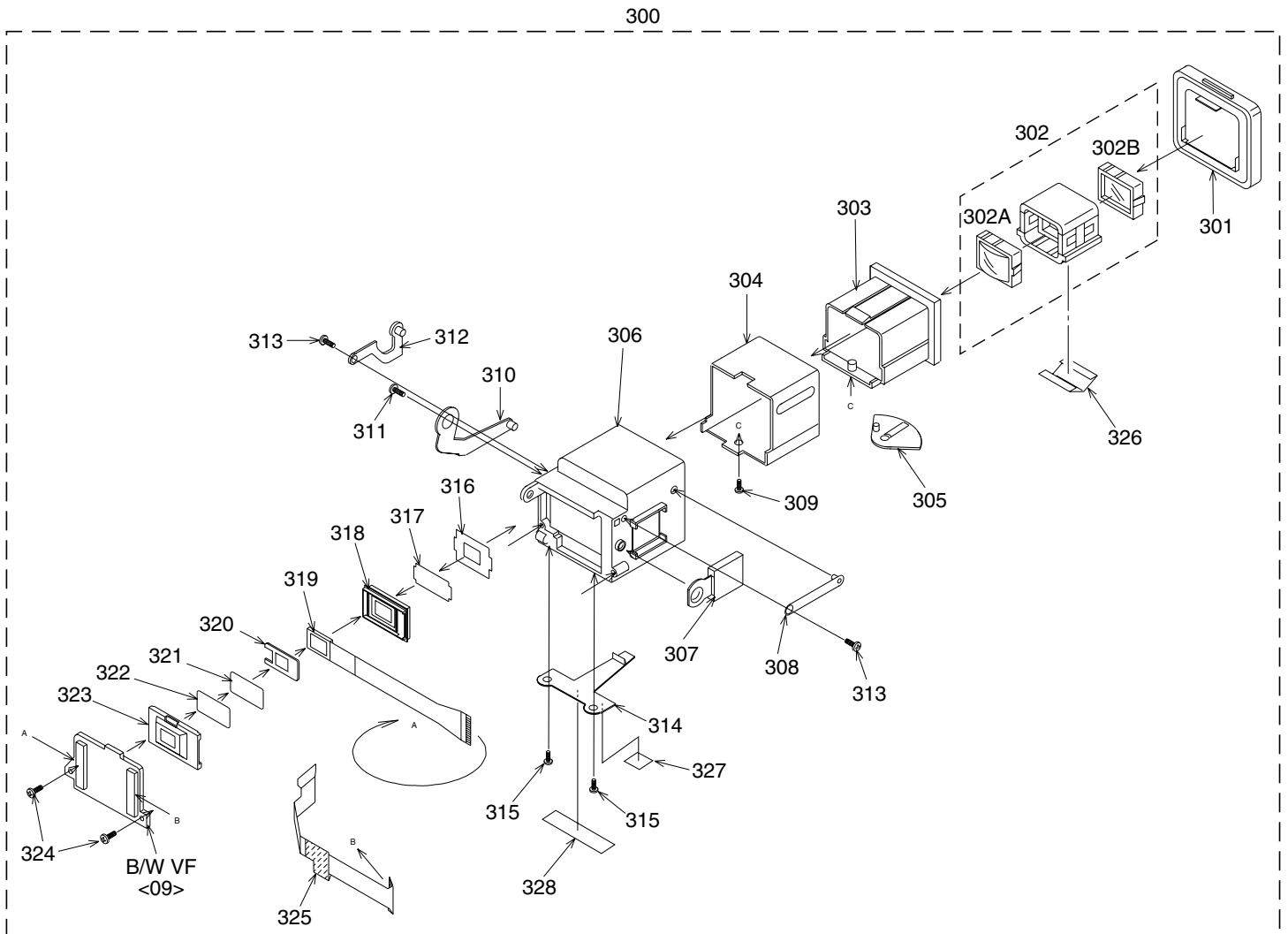
Classification	Part No.	Symbol in drawing
Grease	KYODO-SH-JB	AA
Oil	YTU94027	BB

NOTE:The section marked in **AA** and **BB** indicate lubrication and greasing areas.

#	△ REF No.	PART No.	PART NAME, DESCRIPTION	#	△ REF No.	PART No.	PART NAME, DESCRIPTION

MECHANISM ASSEMBLY <M3>							
400		YMA0025UCC/E	MECHA(A)ASSY	461		YQ44246	SLIT WASHER
401		LY10240-001D	MAIN DECK ASSY	462		LY31863-001B	RELEASE GUIDE ASSY
402		LY30436-001J	SLANT POLE ARM ASSY	463		YQ44246	SLIT WASHER
403		YQ44246	SLIT WASHER	464		LY20146-001H	REEL COVER ASSY
405		LY10080-001V	RAIL ASSY	465		YQ43893-4	MINI SCREW,X2
406		YQ44246	SLIT WASHER,X3	466		YQ43893	MINI SCREW
407		LY40353-001D	GUIDE ROLLER(S)ASSY	467		YQ44246	SLIT WASHER
408		LY30002-006C	COMPRESSION SPRING	468		YDV2086R(CX)	DRUM ASSY
409		QAR0026-002	CAPSTAN MOTOR	469		YQ43893	MINI SCREW,X3
410		LY30504-001C	CATCHER(T)ASSY	470		LY20630-001A	PWB HOLDER
411		YQ43893	MINI SCREW,X4	471		YQ43893	MINI SCREW,X2
413		LY30448-001E	MOTOR BRACKET ASSY	472		LY10242-001A	SLIDE DECK ASSY
414		YQ43893	MINI SCREW,X2	473		LY31833-001A	LOADING GUIDE
415		LY31840-001A	WORM WHEEL	474		YQ43893	MINI SCREW
416		YQ44246	SLIT WASHER	478		LY31832-001D	DECK ASSY
417		LY40496-001C	ROTARY ENCODER	480		LY41573-001A	WASHER
418		YQ43893	MINI SCREW	481		LY31867-001B	CASSETTE HOUSING ASSY
419		YQ44246	SLIT WASHER	482		YQ43893-4	MINI SCREW,X3
420		LY42632-001A	GEAR HOLDER				
421		YQ43893-6	MINI SCREW				
422		LY31841-001A	MAIN CAM				
423		LY31842-001A	BRAKE CONTROL PLATE				
424		YQ43893	MINI SCREW				
425		LY42633-001A	TAKE UP CONTROL LEVER ASSY				
426		LY31844-001A	SLIDE LEVER ASY				
427		LY31846-001A	CONNECT GEAR				
428		YQ44246	SLIT WASHER				
429		LY31847-001A	SUB CAM				
430		YQ43893	MINI SCREW				
431		LY31785-001A	PINCHI ROLLER ARM UNIT				
432		YQ44246	SLIT WASHER				
433		LY31850-001A	CHARGE ARM ASSY				
434		YQ44246	SLIT WASHER				
435		LY42643-001A	BRAKE CONTROL LEVER ASSY				
436		LY42645-001A	REEL DRIVE PULLEY ASSY				
437		YQ44246-2	SLIT WASHER				
438		LY40391-002B	CENTER GEAR ASSY				
439		LY40396-001A	TIMING BELT				
440		LY40413-001A	COLLAR,X2				
441		LY31854-001A	GUIDE ARM ASSY				
442		LY31786-001A	SLIDE GUIDE PLATE UNIT				
443		YQ43893-2	MINI SCREW				
444		LY42651-001B	TENSION ARM ASSY				
445		YQ44246	SLIT WASHER				
446		LY30471-001D	PAD ARM ASSY				
447		YQ44246	SLIT WASHER				
448		LY42745-001A	IDLER ARM ASSY				
449		YQ44246-2	SLIT WASHER				
450		LY31861-001A	GUIDE PIN(SUPPLY)				
451		YQ43893	MINI SCREW				
452		LY40441-001B	REEL DISK(SUPPLY)ASSY				
453		YQ44246	SLIT WASHER				
454		LY40443-001B	REEL DISK(TAKE UP)ASSY				
455		YQ44246	SLIT WASHER				
456		LY31788-001A	CONTROL PLATE UNIT				
457		YQ44246	SLIT WASHER,X2				
458		LY40444-001E	LOADING BRAKE ASSY				
459		YQ44246	SLIT WASHER				
460		LY40452-001C	SUB BRAKE ASSY				

5.4 ELECTRONIC VIEWFINDER ASSEMBLY <M4> [GR-DVX707EG-X/EK]



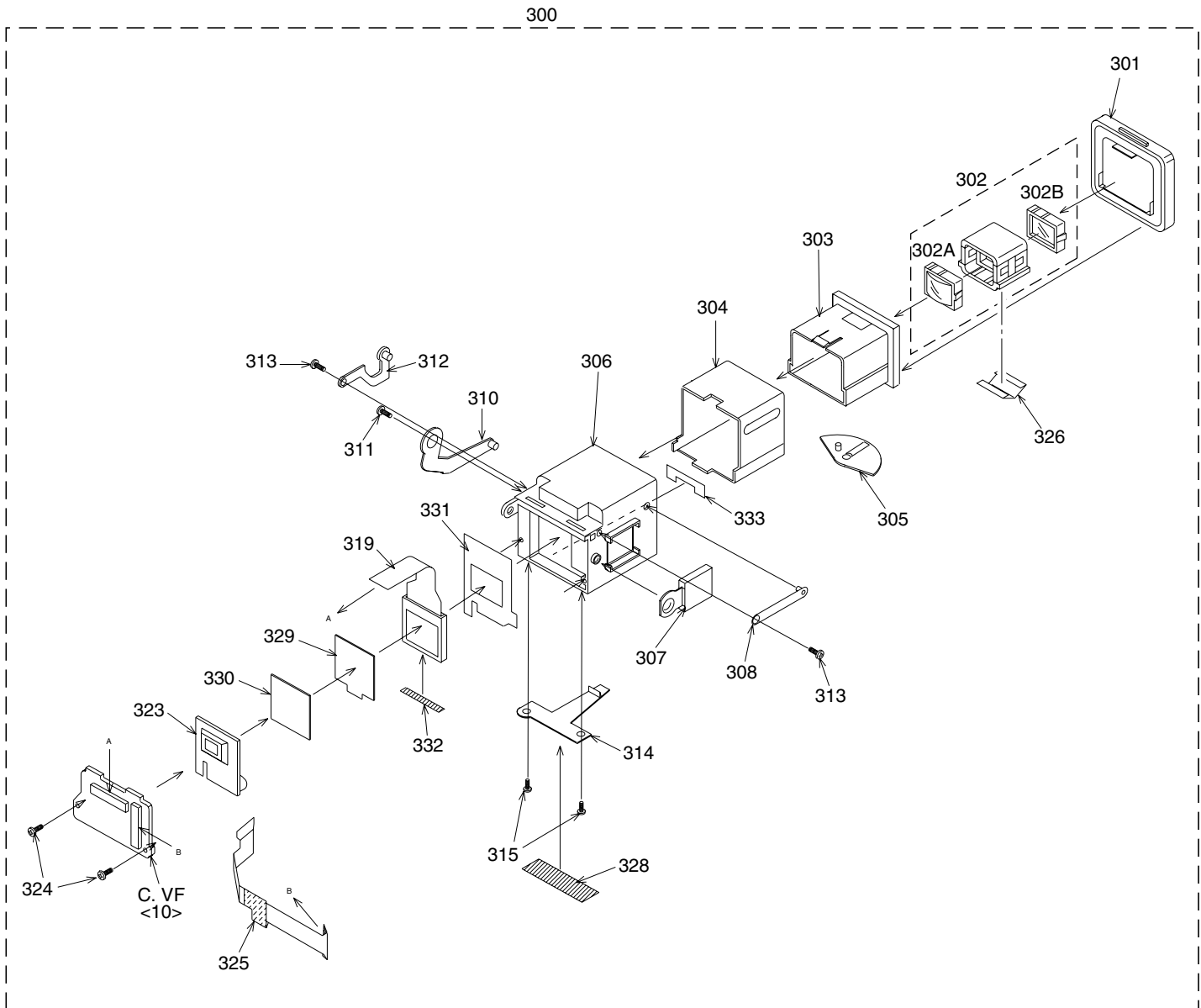
▲ REF No. PART No. PART NAME, DESCRIPTION

ELECTRONIC VIEWFINDER ASSEMBLY <M4>

300	LYH20449-001A	VF ASSY
301	LY32609-001A	EYE CUP
302	LY32472-001A	LENS ASSY
302A	LY43356-001A	LENS(A)
302B	LY43357-001A	LENS(B)
303	LY32608-001B	CASE(VF)
304	LY32607-001B	TUBE(VF)
305	LY43424-001B	KNOB(VF)
306	LY32606-001D	HOLDER(VF)
307	LY43426-001A	COVER(VF)
308	LY43427-001A	BRACKET ASSY
309	LY30018-026A	SPECIAL SCREW
310	LY43534-001A	LEVER(VF)ASSY

# ▲ REF No.	PART No.	PART NAME, DESCRIPTION
311	LY30018-0D7A	SPECIAL SCREW
312	LY43440-001A	BRACKET ASSY(L)
313	LY30018-063A	SPECIAL SCREW,X2
314	LY43445-001B	SPRING(LOCK)
315	LY30018-063A	SPECIAL SCREW,X2
316	LY43447-001A	SHEET
317	LY43446-001A	SHEET2(POLA)
318	LY32780-001A	HOLDER(LCD)
319	QLD0193-001	LCD MODULE
320	LY43613-001B	SHEET(CUSHION)
321	LY43448-001A	SHEET1(POLA)
322	LY43449-001A	SHEET(DIFF)
323	LY43444-001B	HOLDER(LED)
324	LY30018-063A	SPECIAL SCREW,X2
325	QAL0401-001	FPC
326	LY43868-001A	SPRING(LENS)
327	LY43867-001A	SHEET
328	LY30030-003A	SPACER(A)

5.4 ELECTRONIC VIEWFINDER ASSEMBLY <M4> [GR-DVX707A/EA, DVX709ED]



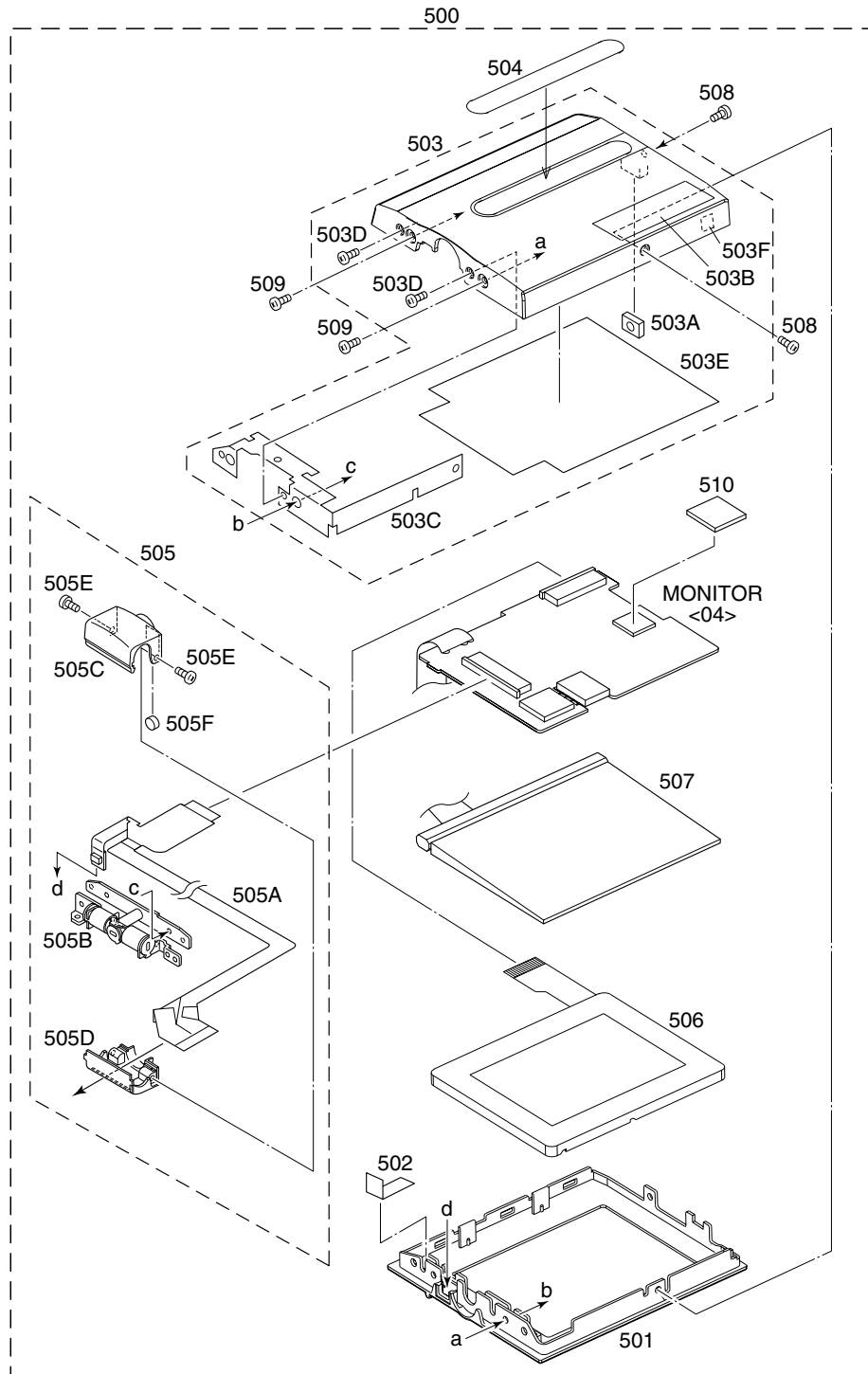
▲ REF No. PART No. PART NAME, DESCRIPTION

ELECTRONIC VIEWFINDER ASSEMBLY <M4>

300	LYH20459-001A	C.VF ASSY
301	LY32609-001A	EYE CUP
302	LY32776-001A	LENS ASSY(C.VF)
302A	LY43607-001A	LENS(A)
302B	LY43608-001A	LENS(B)
303	LY32775-001A	CASE(C.VF)
304	LY32777-001A	TUBE(C.VF)
305	LY43600-001A	KNOB(C.VF)
306	LY32778-001B	HOLDER(C.VF),D
	LY32778-001C	HOLDER(C.VF),C,E
307	LY43426-001A	COVER(VF),D,E
	LY43426-001B	COVER(VF),C
308	LY43427-001A	BRACKET ASSY
310	LY43534-001A	LEVER(VF)ASSY
311	LY30018-0D7A	SPECIAL SCREW

# ▲ REF No.	PART No.	PART NAME, DESCRIPTION
312	LY43440-001A	BRACKET ASSY(L)
313	LY30018-063A	SPECIAL SCREW,X2
314	LY43602-001B	SPRING(LOCK)
315	LY30018-063A	SPECIAL SCREW,X2,D,E
	LY30018-021A	SPECIAL SCREW,X2,C
319	QLD0117-002	LCD MODULE
323	LY43601-001C	HOLDER(C.LED),D,E
	LY43601-001D	HOLDER(C.LED),C
324	LY30018-063A	SPECIAL SCREW,X2
325	QAL0401-001	FPC
326	LY43868-001A	SPRING(LENS)
328	LY30030-002A	SPACER(A)
329	LY43604-001A	SHEET2(PRISM),D,E
	LY43604-001B	SHEET2(PRISM),C
330	LY43605-001A	SHEET
331	LY43863-001A	SHEET3
332	LY43864-001A	SHEET4
333	LY43912-001A	SHEET(VF),C,E

5.5 MONITOR ASSEMBLY <M5>



△ REF No. PART No. PART NAME, DESCRIPTION

MONITOR ASSEMBLY <M5>

△	500	LYH20434-005B	MONITOR ASSY,A,B
△		LYH20434-006B	MONITOR ASSY,C,D,E
	501	LY20855-001C	MONITOR CASE
	502	LY30029-0G5A	SPACER(A)
△	503	LY32694-001D	MONITOR COVER ASSY,A,B,D,E
△		LY32694-001E	MONITOR COVER ASSY,C
	503A	LY43497-001A	BRACKET,A,B,D,E
		LY43497-001B	BRACKET,C
	503B	LY42883-001B	MARK
	503C	LY32658-001A	BRACKET(MONI)
	503D	QYSPST1720R	SCREW,X2

△ REF No. PART No. PART NAME, DESCRIPTION

	503E	LY43579-001A	SHEET(MONI)
	503F	LY30030-010A	SPACER(A)
	504	LY43475-002A	WINDOW(MONI)
	505	LY32765-001A	MONI FPC ASSY
	505A	LY32605-001A	FPC ASSY(MONI)
	505B	LY31701-001C	HINGE ASSY
	505C	LY32659-001A	HINGE COVER(U)
	505D	LY32660-001A	HINGE COVER(L)
	505E	LY30018-063A	SPECIAL SCREW,X2
	505F	LY42355-001A	MAGNET
	506	QLD0138-001	LCD MODULE
	507	QLL0132-001	BACK LIGHT
	508	QYSPST1730D	SCREW,X2
	509	LY30018-099A	SPECIAL SCREW,X2
	510	LY30030-015A	SPACER(A)

5.6 ELECTRICAL PARTS LIST

MODEL	MARK	MODEL	MARK
GR-DVX707EG-X	A	GR-DVX707EA	D
GR-DVX707EK	B	GR-DVX709ED	E
GR-DVX707A	C		

#	△ REF No.	PART No.	PART NAME, DESCRIPTION

MAIN BOARD ASSEMBLY <01>			
PW		YB10374B-04	MAIN BOARD ASSY,C,D,E
		YB10374D-03	MAIN BOARD ASSY,A,B
IC1001		UPD703039F1-A39	IC(MICRO C ROM)
		or UPD70F3040F1A39	IC(MICRO C ROM)
IC1002		RS5C314	IC
IC1003		X25330S8I-2.5-X	IC
		or CAT25C32SI	IC
		or 25LC640-I/SN-X	IC
		or AT25320N-10SI-X	IC
IC1004		TC75S56FU	IC
IC1005		TC7S00FU	IC
		or SN74AHC1G00K	IC
IC1006		MB90097PFV145	IC(MICRO C ROM)
IC1007		SN74AHC1G08K	IC
IC1008		IC-PST3423U-X	IC
IC1009		TC7W08FU	IC(DIGITAL)
		or SN74AHC2G08T	IC
IC1401		UPD703040YF-M10	IC(MICRO C ROM)
		or UPD70F3040YFM10	IC(MICRO C ROM)
IC2151		AK4550VT	IC
IC3001		JCY0152	IC
IC3002		BU2501FV	IC
IC3004		SN74AHC1G04K	IC
IC3007		JCY0174	IC
IC3501		JCY0132	IC
IC3502		SN74AHC1G04K	IC
IC3701		BA7665FS	IC
IC3731		MM1504XN	IC,C,D,E
IC3801		JCP8045	IC(DIGITAL),C,D,E
		JCP8055	IC,A,B
IC4201		HD49334AHF	IC
IC4202		RH5RZ31CA	IC
IC4301		JCY0160-2	IC
IC4302		R1160N151B	IC
IC4303		MM1385NN	IC
IC4802		TA75W01FU	IC
IC4803		TA75W01FU	IC
IC4804		LM358DR2	IC
IC4851		UPD16879GS	IC
IC5001		CXD3602R	IC
IC5002		W194-70G-X	IC
IC5003		MM1385DN	IC
IC6001		S-80842ANNP-W	IC
		or S-80842CNNB-W	IC
IC6002		S-817A33ANB-W	IC
IC6101		FA3698F	IC
IC8001		TMS320DSC24GHK	IC
		or TMX320DSC24GHK	IC
IC8002		K4S643232E-TC60	IC
		or HY57653220BTC55	IC
		or HY57653220BTC7	IC
IC8003		MBV160TE90PTA15	IC(MICRO C ROM),A,B,D
		MBV160TE90PTA16	IC(MICRO C ROM),C,E
		or MBV160T90PTA16	IC(MICRO C ROM),C,E
IC8004		S-80842ANNP-W	IC
		or S-80842CNNB-W	IC
IC8006		BU2288FV	IC
IC8301		ISP1181ADGG	IC
Q1001		DTC124EE	DIGI TRANSISTOR
		or UN9212J	DIGI TRANSISTOR

#	△ REF No.	PART No.	PART NAME, DESCRIPTION
		Q1002	2SC4617/QR/-X
		or 2SD2216J/QR/-X	TRANSISTOR
		Q1003	DTC143EE
		or UN921LJ	DIGI TRANSISTOR
		Q1004	DTC143XE
		Q1005	2SJ347
		Q1006	UMC3N
		Q1007	UMC3N
		Q1401	DTA114EE
		or PDA114EE	DIGI TRANSISTOR
		or RN2102	DIGI TRANSISTOR
		or UN9111J	DIGI TRANSISTOR
		Q1402	UMC3N
		Q1403	UMC3N
		Q2701	UMX1N
		or PUMX1	PAIR TRANSISTOR
		Q2751	UMX18N
		Q2752	2SC4617/QR/-X
		or 2SD2216J/QR/-X	TRANSISTOR
		Q3701	UMT1N
		or XP4401	TRANSISTOR
		Q3702	UMZ1N
		or XP4601	TRANSISTOR
		Q3703	2SA1774/RS/-X
		Q3704	2SA1774/RS/-X
		Q3705	UMT1N
		or XP4401	TRANSISTOR
		Q3731	2SC4617/RS/-X
		or 2SD2216J/RS/-X	TRANSISTOR,C,D,E
		Q3732	DTC144EE
		or UN9213J	DIGI TRANSISTOR,C,D,E
		Q3733	UMZ1N
		or XP4601	TRANSISTOR,C,D,E
		Q3734	2SC4617/RS/-X
		or 2SD2216J/RS/-X	TRANSISTOR,C,D,E
		Q3735	UMZ1N
		or XP4601	TRANSISTOR,C,D,E
		Q4801	2SC4655/BC/-X
		Q4802	2SC4617/RS/-X
		Q4803	DTC144EE
		or PDTC144EE	DIGI TRANSISTOR
		or RN1104	DIGI TRANSISTOR
		or UN9213J	DIGI TRANSISTOR
		Q4804	DTA144EE
		or PDA144EE	DIGI TRANSISTOR
		or RN2104	DIGI TRANSISTOR
		or UN9113J	DIGI TRANSISTOR
		Q4805	DTA143EE
		or RN2101	DIGI TRANSISTOR
		or UN911LJ	DIGI TRANSISTOR
		Q4806	2SC4617/RS/-X
		Q4851	2SC4617/RS/-X
		Q6001	DTC144EE
		or PDTC144EE	DIGI TRANSISTOR
		or RN1104	DIGI TRANSISTOR
		or UN9213J	DIGI TRANSISTOR
		Q6002	MCH6613
		Q6004	2SB1188/QR/-W
		Q6201	MCH3308
		Q6202	2SA1577/RS/-X
		Q6203	SSM5G01TU
		Q6204	MCH3308
		Q6205	CPH3101
		Q6206	2SC4617/RS/-X

#	△ REF No.	PART No.	PART NAME, DESCRIPTION	#	△ REF No.	PART No.	PART NAME, DESCRIPTION		
		Q6208	SSM5G01TU	MOS FET	R1038	NRSA6AJ-104W	MG RESISTOR	100kΩ, 1/16W	
		Q6210	SSM5G01TU	MOS FET	R1039	NRSA6AJ-103W	MG RESISTOR	10kΩ, 1/16W	
		Q6211	MCH3308	MOS FET	R1044	NRSA6AJ-123W	MG RESISTOR	12kΩ, 1/16W	
		Q6212	HN1C01FU/G/-X	PAIR TRANSISTOR	R1045	NRSA6AJ-822W	MG RESISTOR	8.2kΩ, 1/16W	
			or PUMX1	PAIR TRANSISTOR	R1046	NRSA6AJ-103W	MG RESISTOR	10kΩ, 1/16W	
			or UMX1N	PAIR TRANSISTOR	R1047	NRSA6AJ-473W	MG RESISTOR	47kΩ, 1/16W	
		Q6213	2SA1577/RS/-X	TRANSISTOR	R1048	NRSA6AJ-104W	MG RESISTOR	100kΩ, 1/16W	
		Q6214	DTC144EE	DIGI TRANSISTOR	R1049	NRSA6AJ-393W	MG RESISTOR	39kΩ, 1/16W	
			or PDTC144EE	DIGI TRANSISTOR	R1050	NRSA6AJ-223W	MG RESISTOR	22kΩ, 1/16W	
			or RN1104	DIGI TRANSISTOR	R1051	NRSA6AJ-272W	MG RESISTOR	2.7kΩ, 1/16W	
			or UN9213J	DIGI TRANSISTOR	R1052	NRSA6AJ-183W	MG RESISTOR	18kΩ, 1/16W	
		Q6215	HN1A01FU/G/-X	PAIR TRANSISTOR	R1053	NRSA6AJ-154W	MG RESISTOR	150kΩ, 1/16W	
			or PUMT1	PAIR TRANSISTOR	R1054	NRSA6AJ-473W	MG RESISTOR	47kΩ, 1/16W	
			or UMT1N	PAIR TRANSISTOR	R1055	NRSA6AJ-103W	MG RESISTOR	10kΩ, 1/16W	
		Q6216	2SC4617/RS/-X	TRANSISTOR	R1056	NRSA6AJ-472W	MG RESISTOR	4.7kΩ, 1/16W	
		Q6701	CPH3314	MOS FET	R1057	NRSA6AJ-473W	MG RESISTOR	47kΩ, 1/16W	
		Q8002	2SA1774/QR/-X	TRANSISTOR	R1058	NRSA6AJ-222W	MG RESISTOR	2.2kΩ, 1/16W	
		D1001	DA221	DIODE	R1060	NRSA6AJ-473W	MG RESISTOR	47kΩ, 1/16W	
		D1002	1SS376	DIODE	R1061	NRSA6AJ-473W	MG RESISTOR	47kΩ, 1/16W	
		D3001	EC2C01C	VARI CAP DIODE	R1066	NRSA6AJ-473W	MG RESISTOR	47kΩ, 1/16W	
		D3002	EC2C01C	VARI CAP DIODE	R1071	NRSA6AJ-474W	MG RESISTOR	470kΩ, 1/16W	
		D3003	EC2C01C	VARI CAP DIODE	R1072	NRSA6AJ-104W	MG RESISTOR	100kΩ, 1/16W	
		D3004	MA2Z720	SB DIODE	R1076	NRSA6AJ-0R0W	MG RESISTOR	0Ω, 1/16W	
		D5001	1SS355	DIODE	R1077	NRSA6AJ-0R0W	MG RESISTOR	0Ω, 1/16W	
△		D6001	RB706D-40-X	SB DIODE	R1078	NRSA6AJ-102W	MG RESISTOR	1kΩ, 1/16W	
△		D6002	RB715F	SB DIODE	R1079	NRSA6AJ-102W	MG RESISTOR	1kΩ, 1/16W	
		D6201	CRS01	SB DIODE	R1080	NRSA6AJ-102W	MG RESISTOR	1kΩ, 1/16W	
		D6203	CRS01	SB DIODE	R1081	NRSA6AJ-103W	MG RESISTOR	10kΩ, 1/16W	
		D6206	RB480Y	SB DIODE	R1082	NRSA6AJ-103W	MG RESISTOR	10kΩ, 1/16W	
		D6207	UDZS9.1B	ZENER DIODE	R1083	NRSA6AJ-103W	MG RESISTOR	10kΩ, 1/16W	
		D6208	RB480Y	SB DIODE	R1084	NRSA6AJ-0R0W	MG RESISTOR	0Ω, 1/16W	
		D6701	EP10HY03	SB DIODE	R1085	NRSA6AJ-0R0W	MG RESISTOR	0Ω, 1/16W	
		D6702	EP10HY03	SB DIODE	R1401	NRSA6AJ-105W	MG RESISTOR	1MΩ, 1/16W	
		D8001	RB751V-40-X	SB DIODE	R1402	NRSA6AJ-102W	MG RESISTOR	1kΩ, 1/16W	
		R1001	NRSA6AJ-104W	MG RESISTOR	100kΩ, 1/16W	R1403	NRSA6AJ-103W	MG RESISTOR	10kΩ, 1/16W
		R1002	NRSA6AJ-224W	MG RESISTOR	220kΩ, 1/16W	R1404	NRSA6AJ-472W	MG RESISTOR	4.7kΩ, 1/16W
		R1003	NRSA6AJ-472W	MG RESISTOR	4.7kΩ, 1/16W	R1405	NRSA6AJ-332W	MG RESISTOR	3.3kΩ, 1/16W
		R1004	NRSA6AJ-103W	MG RESISTOR	10kΩ, 1/16W	R1406	NRSA6AJ-332W	MG RESISTOR	3.3kΩ, 1/16W
		R1005	NRSA6AJ-153W	MG RESISTOR	15kΩ, 1/16W	R1407	NRSA6AJ-332W	MG RESISTOR	3.3kΩ, 1/16W
		R1006	NRSA6AJ-103W	MG RESISTOR	10kΩ, 1/16W	R1408	NRSA6AD-753W	MG RESISTOR	75kΩ, 1/16W
		R1007	NRSA6AJ-334W	MG RESISTOR	330kΩ, 1/16W	R1409	NRSA6AJ-334W	MG RESISTOR	330kΩ, 1/16W
		R1008	NRSA6AJ-102W	MG RESISTOR	1kΩ, 1/16W	R1411	NRSA6AJ-332W	MG RESISTOR	3.3kΩ, 1/16W
		R1009	NRSA6AJ-181W	MG RESISTOR	180Ω, 1/16W	R1412	NRSA6AJ-332W	MG RESISTOR	3.3kΩ, 1/16W
		R1010	NRSA6AJ-561W	MG RESISTOR	560Ω, 1/16W	R1413	NRSA6AJ-332W	MG RESISTOR	3.3kΩ, 1/16W
		R1015	NRSA6AJ-474W	MG RESISTOR	470kΩ, 1/16W	R1414	NRSA6AJ-332W	MG RESISTOR	3.3kΩ, 1/16W
		R1018	NRSA6AJ-103W	MG RESISTOR	10kΩ, 1/16W	R1415	NRSA6AJ-472W	MG RESISTOR	4.7kΩ, 1/16W
		R1019	NRSA6AJ-623W	MG RESISTOR	62kΩ, 1/16W	R1416	NRSA6AJ-472W	MG RESISTOR	4.7kΩ, 1/16W
		R1020	NRSA6AJ-331W	MG RESISTOR	330Ω, 1/16W	R1417	NRSA6AJ-101W	MG RESISTOR	100Ω, 1/16W
		R1021	NRSA6AJ-331W	MG RESISTOR	330Ω, 1/16W	R1421	NRSA6AJ-103W	MG RESISTOR	10kΩ, 1/16W
		R1022	NRSA6AJ-331W	MG RESISTOR	330Ω, 1/16W	R1422	NRSA6AJ-153W	MG RESISTOR	15kΩ, 1/16W
		R1023	NRSA6AJ-103W	MG RESISTOR	10kΩ, 1/16W	R1423	NRSA6AJ-820W	MG RESISTOR	82Ω, 1/16W
		R1024	NRSA6AJ-823W	MG RESISTOR	82kΩ, 1/16W	R1425	NRSA6AJ-473W	MG RESISTOR	47kΩ, 1/16W
		R1026	NRSA6AJ-472W	MG RESISTOR	4.7kΩ, 1/16W	R2151	NRSA6AJ-471W	MG RESISTOR	470Ω, 1/16W
		R1027	NRSA6AJ-104W	MG RESISTOR	100kΩ, 1/16W	R2152	NRSA6AJ-471W	MG RESISTOR	470Ω, 1/16W
		R1028	NRSA6AJ-185W	MG RESISTOR	1.8MΩ, 1/16W	R2153	NRSA6AJ-0R0W	MG RESISTOR	0Ω, 1/16W
		R1029	NRSA6AJ-473W	MG RESISTOR	47kΩ, 1/16W	R2701	NRSA6AJ-821W	MG RESISTOR	820Ω, 1/16W
		R1030	NRSA6AJ-104W	MG RESISTOR	100kΩ, 1/16W	R2702	NRSA6AJ-821W	MG RESISTOR	820Ω, 1/16W
		R1031	NRSA6AJ-102W	MG RESISTOR	1kΩ, 1/16W	R2703	NRSA6AJ-564W	MG RESISTOR	560kΩ, 1/16W
		R1032	NRSA6AJ-104W	MG RESISTOR	100kΩ, 1/16W	R2704	NRSA6AJ-564W	MG RESISTOR	560kΩ, 1/16W
		R1033	NRSA6AJ-103W	MG RESISTOR	10kΩ, 1/16W	R2705	NRSA6AJ-332W	MG RESISTOR	3.3kΩ, 1/16W
		R1034	NRSA6AJ-103W	MG RESISTOR	10kΩ, 1/16W	R2751	NRSA6AJ-151W	MG RESISTOR	150Ω, 1/16W
		R1035	NRSA6AJ-473W	MG RESISTOR	47kΩ, 1/16W	R2752	NRSA6AJ-151W	MG RESISTOR	150Ω, 1/16W
		R1036	NRSA6AJ-102W	MG RESISTOR	1kΩ, 1/16W	R2753	NRSA6AJ-103W	MG RESISTOR	10kΩ, 1/16W
		R1037	NRSA6AJ-103W	MG RESISTOR	10kΩ, 1/16W	R2754	NRSA6AJ-103W	MG RESISTOR	10kΩ, 1/16W

#	△ REF No.	PART No.	PART NAME, DESCRIPTION		#	△ REF No.	PART No.	PART NAME, DESCRIPTION	
R2755		NRSA6AJ-332W	MG RESISTOR	3.3kΩ,1/16W	R3711		NRSA6AJ-103W	MG RESISTOR	10kΩ,1/16W
R2756		NRSA6AJ-103W	MG RESISTOR	10kΩ,1/16W	R3712		NRSA6AJ-105W	MG RESISTOR	1MΩ,1/16W
R2757		NRSA6AJ-103W	MG RESISTOR	10kΩ,1/16W	R3713		NRSA6AJ-104W	MG RESISTOR	100kΩ,1/16W
R2758		NRSA6AJ-103W	MG RESISTOR	10kΩ,1/16W	R3714		NRSA6AJ-823W	MG RESISTOR	82kΩ,1/16W
R2759		NRSA6AJ-103W	MG RESISTOR	10kΩ,1/16W	R3715		NRSA6AJ-103W	MG RESISTOR	10kΩ,1/16W
R3002		NRSA6AJ-103W	MG RESISTOR	10kΩ,1/16W	R3721		NRSA6AD-151W	MG RESISTOR	150Ω,1/16W
R3003		NRSA6AJ-105W	MG RESISTOR	1MΩ,1/16W	R3722		NRSA6AD-131W	MG RESISTOR	130Ω,1/16W
R3004		NRSA6AJ-103W	MG RESISTOR	10kΩ,1/16W	R3723		NRSA6AJ-332W	MG RESISTOR	3.3kΩ,1/16W
R3005		NRSA6AJ-100W	MG RESISTOR	10Ω,1/16W	R3724		NRSA6AJ-472W	MG RESISTOR	4.7kΩ,1/16W
R3006		NRSA6AJ-100W	MG RESISTOR	10Ω,1/16W	R3725		NRSA6AD-131W	MG RESISTOR	130Ω,1/16W
R3007		NRSA6AJ-562W	MG RESISTOR	5.6kΩ,1/16W	R3726		NRSA6AJ-472W	MG RESISTOR	4.7kΩ,1/16W
R3008		NRSA6AJ-222W	MG RESISTOR	2.2kΩ,1/16W	R3727		NRSA6AJ-472W	MG RESISTOR	4.7kΩ,1/16W
R3009		NRSA6AJ-103W	MG RESISTOR	10kΩ,1/16W	R3728		NRSA6AD-131W	MG RESISTOR	130Ω,1/16W
R3010		NRSA6AJ-103W	MG RESISTOR	10kΩ,1/16W	R3730		NRSA6AJ-472W	MG RESISTOR	4.7kΩ,1/16W
R3011		NRSA6AJ-224W	MG RESISTOR	220kΩ,1/16W	R3731		NRSA6AJ-472W	MG RESISTOR,C,D,E	4.7kΩ,1/16W
R3013		NRSA6AJ-242W	MG RESISTOR	2.4kΩ,1/16W	R3732		NRSA6AJ-101W	MG RESISTOR,C,D,E	100Ω,1/16W
R3014		NRSA6AJ-392W	MG RESISTOR	3.9kΩ,1/16W	R3733		NRSA6AD-561W	MG RESISTOR,C,D,E	560Ω,1/16W
R3015		NRSA6AJ-392W	MG RESISTOR	3.9kΩ,1/16W	R3734		NRSA6AJ-822W	MG RESISTOR,C,D,E	8.2kΩ,1/16W
R3016		NRVA6AD-560W	CMF RESISTOR	56Ω,1/16W	R3735		NRSA6AD-182W	MG RESISTOR,C,D,E	1.8kΩ,1/16W
R3017		NRVA6AD-560W	CMF RESISTOR	56Ω,1/16W	R3736		NRSA6AJ-183W	MG RESISTOR,C,D,E	18kΩ,1/16W
R3018		NRVA6AD-560W	CMF RESISTOR	56Ω,1/16W	R3737		NRSA6AJ-183W	MG RESISTOR,C,D,E	18kΩ,1/16W
R3019		NRVA6AD-560W	CMF RESISTOR	56Ω,1/16W	R3738		NRSA6AJ-681W	MG RESISTOR,C,D,E	680Ω,1/16W
R3020		NRVA6AD-512W	CMF RESISTOR	5.1kΩ,1/16W	R3739		NRSA6AJ-821W	MG RESISTOR,C,D,E	820Ω,1/16W
R3027		NRSA6AJ-103W	MG RESISTOR	10kΩ,1/16W	R3740		NRSA6AJ-821W	MG RESISTOR,C,D,E	820Ω,1/16W
R3029		NRSA6AJ-682W	MG RESISTOR	6.8kΩ,1/16W	R3741		NRSA6AJ-102W	MG RESISTOR,C,D,E	1kΩ,1/16W
R3030		NRSA6AJ-224W	MG RESISTOR	220kΩ,1/16W	R3742		NRSA6AJ-104W	MG RESISTOR,C,D,E	100kΩ,1/16W
R3031		NRSA6AJ-224W	MG RESISTOR	220kΩ,1/16W	R3743		NRSA6AJ-104W	MG RESISTOR,C,D,E	100kΩ,1/16W
R3032		NRSA6AJ-105W	MG RESISTOR	1MΩ,1/16W	R3744		NRSA6AD-561W	MG RESISTOR,C,D,E	560Ω,1/16W
R3033		NRSA6AJ-103W	MG RESISTOR	10kΩ,1/16W	R3745		NRSA6AD-152W	MG RESISTOR,C,D,E	1.5kΩ,1/16W
R3034		NRSA6AJ-222W	MG RESISTOR	2.2kΩ,1/16W	R3746		NRSA6AJ-222W	MG RESISTOR,C,D,E	2.2kΩ,1/16W
R3036		NRSA6AJ-103W	MG RESISTOR	10kΩ,1/16W	R3747		NRSA6AJ-102W	MG RESISTOR,C,D,E	1kΩ,1/16W
R3037		NRSA6AJ-681W	MG RESISTOR	680Ω,1/16W	R3748		NRSA6AJ-474W	MG RESISTOR,C,D,E	470kΩ,1/16W
R3040		NRSA6AJ-222W	MG RESISTOR	2.2kΩ,1/16W	R3801		NRSA6AJ-101W	MG RESISTOR	100Ω,1/16W
R3041		NRSA6AJ-561W	MG RESISTOR	560Ω,1/16W	R3802		NRSA6AD-821W	MG RESISTOR	820Ω,1/16W
R3042		NRSA6AJ-561W	MG RESISTOR	560Ω,1/16W	R3803		NRSA6AD-273W	MG RESISTOR	27kΩ,1/16W
R3043		NRSA6AJ-122W	MG RESISTOR	1.2kΩ,1/16W	R3804		NRSA6AD-153W	MG RESISTOR	15kΩ,1/16W
R3044		NRSA6AJ-152W	MG RESISTOR	1.5kΩ,1/16W	R3805		NRSA6AD-821W	MG RESISTOR	820Ω,1/16W
R3045		NRSA6AJ-123W	MG RESISTOR	12kΩ,1/16W	R3808		NRSA6AJ-0R0W	MG RESISTOR	0Ω,1/16W
R3046		NRSA6AJ-823W	MG RESISTOR	82kΩ,1/16W	R4201		NRSA6AJ-0R0W	MG RESISTOR	0Ω,1/16W
R3049		NRSA6AJ-100W	MG RESISTOR	10Ω,1/16W	R4203		NRSA6AJ-333W	MG RESISTOR	33kΩ,1/16W
R3057		NRSA6AJ-100W	MG RESISTOR	10Ω,1/16W	R4204		NRSA6AJ-221W	MG RESISTOR	220Ω,1/16W
R3059		NRSA6AJ-101W	MG RESISTOR	100Ω,1/16W	R4205		NRSA6AJ-221W	MG RESISTOR	220Ω,1/16W
R3501		NRSA6AJ-471W	MG RESISTOR	470Ω,1/16W	R4301		NRSA6AJ-331W	MG RESISTOR	330Ω,1/16W
R3502		NRSA6AJ-104W	MG RESISTOR	100kΩ,1/16W	R4303		NRSA6AJ-220W	MG RESISTOR	22Ω,1/16W
R3503		NRSA6AJ-102W	MG RESISTOR	1kΩ,1/16W	R4304		NRSA6AJ-220W	MG RESISTOR	22Ω,1/16W
R3504		NRSA6AD-241W	MG RESISTOR	240Ω,1/16W	R4305		NRSA6AJ-101W	MG RESISTOR	100Ω,1/16W
R3505		NRSA6AD-241W	MG RESISTOR	240Ω,1/16W	R4306		NRSA6AJ-470W	MG RESISTOR	47Ω,1/16W
R3506		NRSA6AD-241W	MG RESISTOR	240Ω,1/16W	R4307		NRSA6AJ-470W	MG RESISTOR	47Ω,1/16W
R3507		NRSA6AD-241W	MG RESISTOR	240Ω,1/16W	R4308		NRSA6AJ-0R0W	MG RESISTOR	0Ω,1/16W
R3508		NRSA6AJ-223W	MG RESISTOR	22kΩ,1/16W	R4309		NRSA6AJ-101W	MG RESISTOR	100Ω,1/16W
R3511		NRSA6AJ-101W	MG RESISTOR	100Ω,1/16W	R4310		NRSA6AJ-101W	MG RESISTOR	100Ω,1/16W
R3521		NRSA6AJ-0R0W	MG RESISTOR	0Ω,1/16W	R4311		NRSA6AJ-101W	MG RESISTOR	100Ω,1/16W
R3522		NRSA6AJ-0R0W	MG RESISTOR	0Ω,1/16W	R4312		NRSA6AJ-101W	MG RESISTOR	100Ω,1/16W
R3701		NRSA6AD-271W	MG RESISTOR	270Ω,1/16W	R4313		NRSA6AJ-101W	MG RESISTOR	100Ω,1/16W
R3702		NRSA6AD-271W	MG RESISTOR	270Ω,1/16W	R4315		NRSA6AJ-0R0W	MG RESISTOR	0Ω,1/16W
R3703		NRSA6AJ-332W	MG RESISTOR	3.3kΩ,1/16W	R4316		NRSA6AJ-0R0W	MG RESISTOR	0Ω,1/16W
R3704		NRSA6AD-301W	MG RESISTOR	300Ω,1/16W	R4320		NRSA6AJ-0R0W	MG RESISTOR	0Ω,1/16W
R3705		NRSA6AD-301W	MG RESISTOR	300Ω,1/16W	R4321		NRSA6AJ-0R0W	MG RESISTOR	0Ω,1/16W
R3706		NRSA6AJ-332W	MG RESISTOR	3.3kΩ,1/16W	R4322		NRSA6AJ-0R0W	MG RESISTOR	0Ω,1/16W
R3707		NRSA6AD-680W	MG RESISTOR	68Ω,1/16W	R4323		NRSA6AJ-0R0W	MG RESISTOR	0Ω,1/16W
R3708		NRSA6AD-680W	MG RESISTOR,C,D,E	68Ω,1/16W	R4804		NRSA6AJ-681W	MG RESISTOR	680Ω,1/16W
		NRSA6AJ-0R0W	MG RESISTOR,A,B	0Ω,1/16W	R4805		NRSA6AJ-103W	MG RESISTOR	10kΩ,1/16W
R3710		NRSA6AJ-103W	MG RESISTOR	10kΩ,1/16W	R4806		NRSA6AJ-683W	MG RESISTOR	68kΩ,1/16W

#	△ REF No.	PART No.	PART NAME, DESCRIPTION	#	△ REF No.	PART No.	PART NAME, DESCRIPTION	
	R4807	NRSA6AJ-563W	MG RESISTOR	56kΩ,1/16W	R6011	NRSA6AJ-102W	MG RESISTOR	1kΩ,1/16W
	R4808	NRSA6AJ-243W	MG RESISTOR	24kΩ,1/16W	R6012	NRSA6AD-104W	MG RESISTOR	100kΩ,1/16W
	R4809	NRSA6AJ-561W	MG RESISTOR	560Ω,1/16W	R6013	NRVA6AD-683W	CMF RESISTOR	68kΩ,1/16W
	R4810	NRSA6AJ-103W	MG RESISTOR	10kΩ,1/16W	R6101	NRSA6AD-103W	MG RESISTOR	10kΩ,1/16W
	R4811	NRSA6AJ-684W	MG RESISTOR	680kΩ,1/16W	R6102	NRSA6AD-471W	MG RESISTOR	470Ω,1/16W
	R4812	NRSA6AJ-153W	MG RESISTOR	15kΩ,1/16W	R6103	NRSA6AD-622W	MG RESISTOR	6.2kΩ,1/16W
	R4814	NRSA6AJ-105W	MG RESISTOR	1MΩ,1/16W	R6106	NRSA6AJ-333W	MG RESISTOR	33kΩ,1/16W
	R4815	NRSA6AJ-472W	MG RESISTOR	4.7kΩ,1/16W	R6107	NRSA6AD-562W	MG RESISTOR	5.6kΩ,1/16W
	R4816	NRSA6AJ-105W	MG RESISTOR	1MΩ,1/16W	R6108	NRSA6AJ-223W	MG RESISTOR	22kΩ,1/16W
	R4817	NRSA6AJ-334W	MG RESISTOR	330kΩ,1/16W	R6113	NRSA6AJ-472W	MG RESISTOR	4.7kΩ,1/16W
	R4818	NRSA6AJ-154W	MG RESISTOR	150kΩ,1/16W	R6114	NRSA6AJ-823W	MG RESISTOR	82kΩ,1/16W
	R4819	NRSA6AJ-103W	MG RESISTOR	10kΩ,1/16W	R6115	NRSA6AJ-823W	MG RESISTOR	82kΩ,1/16W
	R4820	NRSA6AJ-104W	MG RESISTOR	100kΩ,1/16W	R6116	NRSA6AD-153W	MG RESISTOR	15kΩ,1/16W
	R4821	NRSA6AJ-104W	MG RESISTOR	100kΩ,1/16W	R6117	NRSA6AJ-0R0W	MG RESISTOR	0Ω,1/16W
	R4822	NRSA6AJ-333W	MG RESISTOR	33kΩ,1/16W	R6118	NRSA6AJ-102W	MG RESISTOR	1kΩ,1/16W
	R4823	NRSA6AJ-102W	MG RESISTOR	1kΩ,1/16W	R6124	NRSA6AJ-102W	MG RESISTOR	1kΩ,1/16W
	R4824	NRSA6AJ-472W	MG RESISTOR	4.7kΩ,1/16W	R6201	NRSA6AD-223W	MG RESISTOR	22kΩ,1/16W
	R4825	NRSA6AJ-222W	MG RESISTOR	2.2kΩ,1/16W	R6202	NRSA6AJ-474W	MG RESISTOR	470kΩ,1/16W
	R4826	NRSA6AJ-473W	MG RESISTOR	47kΩ,1/16W	R6203	NRSA6AD-103W	MG RESISTOR	10kΩ,1/16W
	R4827	NRSA6AJ-0R0W	MG RESISTOR	0Ω,1/16W	R6204	NRSA6AJ-473W	MG RESISTOR	47kΩ,1/16W
	R4828	NRSA6AJ-0R0W	MG RESISTOR	0Ω,1/16W	R6205	NRSA6AJ-102W	MG RESISTOR	1kΩ,1/16W
	R4833	NRSA6AJ-104W	MG RESISTOR	100kΩ,1/16W	R6206	NRSA6AD-183W	MG RESISTOR	18kΩ,1/16W
	R4836	NRSA6AJ-0R0W	MG RESISTOR	0Ω,1/16W	R6207	NRSA6AD-123W	MG RESISTOR	12kΩ,1/16W
	R4837	NRSA6AJ-0R0W	MG RESISTOR	0Ω,1/16W	R6208	NRSA6AD-123W	MG RESISTOR	12kΩ,1/16W
	R4841	NRSA6AJ-0R0W	MG RESISTOR	0Ω,1/16W	R6209	NRSA6AD-153W	MG RESISTOR	15kΩ,1/16W
	R4842	NRSA6AJ-0R0W	MG RESISTOR	0Ω,1/16W	R6210	NRSA6AD-183W	MG RESISTOR	18kΩ,1/16W
	R4843	NRSA6AJ-0R0W	MG RESISTOR	0Ω,1/16W	R6212	NRSA6AD-472W	MG RESISTOR	4.7kΩ,1/16W
	R4844	NRSA6AJ-151W	MG RESISTOR	150Ω,1/16W	R6213	NRSA6AJ-103W	MG RESISTOR	10kΩ,1/16W
	R4846	NRSA6AJ-0R0W	MG RESISTOR	0Ω,1/16W	R6214	NRSA6AJ-152W	MG RESISTOR	1.5kΩ,1/16W
	R4854	NRSA6AJ-0R0W	MG RESISTOR	0Ω,1/16W	R6215	NRSA6AJ-473W	MG RESISTOR	47kΩ,1/16W
	R4856	NRSA63J-6R8X	MG RESISTOR	6.8Ω,1/16W	R6219	NRSA6AD-243W	MG RESISTOR	24kΩ,1/16W
	R4857	NRSA63J-6R8X	MG RESISTOR	6.8Ω,1/16W	R6220	NRSA6AD-302W	MG RESISTOR	3kΩ,1/16W
	R4858	NRSA6AJ-333W	MG RESISTOR	33kΩ,1/16W	R6221	NRSA6AD-104W	MG RESISTOR	100kΩ,1/16W
	R4859	NRSA6AJ-0R0W	MG RESISTOR	0Ω,1/16W	R6222	NRSA6AD-103W	MG RESISTOR	10kΩ,1/16W
	R4860	NRSA6AJ-0R0W	MG RESISTOR	0Ω,1/16W	R6223	NRSA6AD-123W	MG RESISTOR	12kΩ,1/16W
	R4862	NRSA63J-6R8X	MG RESISTOR	6.8Ω,1/16W	R6224	NRSA6AD-473W	MG RESISTOR	47kΩ,1/16W
	R4863	NRSA63J-6R8X	MG RESISTOR	6.8Ω,1/16W	R6225	NRSA6AD-562W	MG RESISTOR	5.6kΩ,1/16W
	R4864	NRSA6AJ-102W	MG RESISTOR	1kΩ,1/16W	R6226	NRSA6AD-223W	MG RESISTOR	22kΩ,1/16W
	R4865	NRSA6AJ-102W	MG RESISTOR	1kΩ,1/16W	R6227	NRSA6AD-473W	MG RESISTOR	47kΩ,1/16W
	R4866	NRSA6AJ-102W	MG RESISTOR	1kΩ,1/16W	R6228	NRSA6AD-473W	MG RESISTOR	47kΩ,1/16W
	R4867	NRSA6AJ-102W	MG RESISTOR	1kΩ,1/16W	R6229	NRSA6AD-332W	MG RESISTOR	3.3kΩ,1/16W
	R4868	NRSA6AJ-0R0W	MG RESISTOR	0Ω,1/16W	R6230	NRSA6AJ-272W	MG RESISTOR	2.7kΩ,1/16W
	R4870	NRSA6AJ-271W	MG RESISTOR	270Ω,1/16W	R6231	NRSA6AD-104W	MG RESISTOR	100kΩ,1/16W
	R4871	NRSA6AJ-0R0W	MG RESISTOR	0Ω,1/16W	R6232	NRSA6AD-473W	MG RESISTOR	47kΩ,1/16W
	R4874	NRSA6AJ-0R0W	MG RESISTOR	0Ω,1/16W	R6233	NRSA6AJ-822W	MG RESISTOR	8.2kΩ,1/16W
	R5001	NRSA6AJ-104W	MG RESISTOR	100kΩ,1/16W	R6234	NRSA6AJ-273W	MG RESISTOR	27kΩ,1/16W
	R5002	NRSA6AJ-100W	MG RESISTOR	10Ω,1/16W	R6235	NRSA6AD-683W	MG RESISTOR	68kΩ,1/16W
	R5003	NRSA6AJ-220W	MG RESISTOR	22Ω,1/16W	R6236	NRSA6AD-473W	MG RESISTOR	47kΩ,1/16W
	R5004	NRSA6AJ-100W	MG RESISTOR	10Ω,1/16W	R6237	NRSA6AD-823W	MG RESISTOR	82kΩ,1/16W
	R5005	NRSA6AJ-100W	MG RESISTOR	10Ω,1/16W	R6238	NRSA6AD-104W	MG RESISTOR	100kΩ,1/16W
	R5006	NRSA6AJ-100W	MG RESISTOR	10Ω,1/16W	R6239	NRSA6AJ-103W	MG RESISTOR	10kΩ,1/16W
	R5009	NRSA6AJ-100W	MG RESISTOR	10Ω,1/16W	R6240	NRSA6AJ-333W	MG RESISTOR	33kΩ,1/16W
	R5010	NRSA6AJ-100W	MG RESISTOR	10Ω,1/16W	R6241	NRSA6AJ-102W	MG RESISTOR	1kΩ,1/16W
	R5017	NRSA6AJ-0R0W	MG RESISTOR	0Ω,1/16W	R6242	NRSA6AJ-104W	MG RESISTOR	100kΩ,1/16W
	R5020	NRSA6AJ-100W	MG RESISTOR	10Ω,1/16W	R6243	NRSA6AJ-823W	MG RESISTOR	82kΩ,1/16W
	R6001	NRSA6AJ-104W	MG RESISTOR	100kΩ,1/16W	R6701	NRZ0058-R20X	MG RESISTOR	0.2Ω,1/2W
	R6002	NRSA6AJ-104W	MG RESISTOR	100kΩ,1/16W	R6702	NRSA6AD-104W	MG RESISTOR	100kΩ,1/16W
	R6003	NRSA6AJ-224W	MG RESISTOR	220kΩ,1/16W	R6703	NRSA6AD-123W	MG RESISTOR	12kΩ,1/16W
	R6004	NRSA6AJ-183W	MG RESISTOR	18kΩ,1/16W	R6704	NRSA6AD-823W	MG RESISTOR	82kΩ,1/16W
	R6005	NRSA6AJ-104W	MG RESISTOR	100kΩ,1/16W	R6705	NRSA6AD-333W	MG RESISTOR	33kΩ,1/16W
△	R6008	NRSA63J-471X	MG RESISTOR	470Ω,1/16W	R8001	NRSA6AJ-103W	MG RESISTOR	10kΩ,1/16W
△	R6009	NRSA63J-102X	MG RESISTOR	1kΩ,1/16W	R8002	NRSA6AJ-103W	MG RESISTOR	10kΩ,1/16W
	R6010	NRSA6AJ-473W	MG RESISTOR	47kΩ,1/16W	R8003	NRSA6AJ-103W	MG RESISTOR	10kΩ,1/16W

#	△ REF No.	PART No.	PART NAME, DESCRIPTION	#	△ REF No.	PART No.	PART NAME, DESCRIPTION
R8005		NRSA6AJ-0R0W	MG RESISTOR 0Ω,1/16W	C1017		NCFA1HZ-103W	CAPACITOR 0.01μF,50V
R8006		NRSA6AJ-153W	MG RESISTOR 15kΩ,1/16W	C1018		NCFA1HZ-103W	CAPACITOR 0.01μF,50V
R8007		NRSA6AJ-472W	MG RESISTOR 4.7kΩ,1/16W	C1019		NCFA1HZ-103W	CAPACITOR 0.01μF,50V
R8009		NRSA6AJ-472W	MG RESISTOR 4.7kΩ,1/16W	C1023		NCFA1AZ-104W	CAPACITOR 0.1μF,10V
R8016		NRSA6AJ-103W	MG RESISTOR 10kΩ,1/16W	C1026		NCFA1AZ-104W	CAPACITOR 0.1μF,10V
R8017		NRSA6AJ-103W	MG RESISTOR 10kΩ,1/16W	C1027		NCFA1HZ-103W	CAPACITOR 0.01μF,50V
R8022		NRSA6AJ-105W	MG RESISTOR 1MΩ,1/16W	C1028		NCFA1HZ-103W	CAPACITOR 0.01μF,50V
R8025		NRSA6AJ-0R0W	MG RESISTOR 0Ω,1/16W	C1029		NCFA1HZ-103W	CAPACITOR 0.01μF,50V
R8030		NRSA6AJ-0R0W	MG RESISTOR 0Ω,1/16W	C1030		NCFA1HZ-103W	CAPACITOR 0.01μF,50V
R8031		NRSA6AJ-0R0W	MG RESISTOR 0Ω,1/16W	C1031		NCF31AZ-105X	CAPACITOR 1μF,10V
R8032		NRSA6AJ-0R0W	MG RESISTOR 0Ω,1/16W	C1034		NCFA1HZ-103W	CAPACITOR 0.01μF,50V
R8034		NRSA6AJ-0R0W	MG RESISTOR 0Ω,1/16W	C1036		NCFA1HZ-103W	CAPACITOR 0.01μF,50V
R8037		NRSA6AJ-103W	MG RESISTOR 10kΩ,1/16W	C1037		NCFA1HZ-103W	CAPACITOR 0.01μF,50V
R8038		NRSA6AJ-0R0W	MG RESISTOR 0Ω,1/16W	C1038		NCFA1HZ-103W	CAPACITOR 0.01μF,50V
R8043		NRSA6AJ-0R0W	MG RESISTOR 0Ω,1/16W	C1039		NCFA1HZ-103W	CAPACITOR 0.01μF,50V
R8046		NRSA6AJ-0R0W	MG RESISTOR 0Ω,1/16W	C1401		NDCA1HJ-150W	CAPACITOR 15pF,50V
R8056		NRSA6AJ-0R0W	MG RESISTOR 0Ω,1/16W	C1402		NDCA1HJ-150W	CAPACITOR 15pF,50V
R8063		NRSA6AJ-220W	MG RESISTOR 22Ω,1/16W	C1403		NCBA1AK-104W	CAPACITOR 0.1μF,10V
R8065		NRSA6AJ-0R0W	MG RESISTOR 0Ω,1/16W	C1404		NCBA1AK-104W	CAPACITOR 0.1μF,10V
R8066		NRSA6AJ-473W	MG RESISTOR 47kΩ,1/16W	C1405		NCBA1AK-104W	CAPACITOR 0.1μF,10V
R8068		NRSA6AJ-561W	MG RESISTOR 560Ω,1/16W	C1406		NCBA1AK-104W	CAPACITOR 0.1μF,10V
R8070		NRSA6AJ-220W	MG RESISTOR 22Ω,1/16W	C1407		NCBA1AK-104W	CAPACITOR 0.1μF,10V
R8074		NRSA6AJ-473W	MG RESISTOR 47kΩ,1/16W	C1409		NCBA1CK-103W	CAPACITOR 0.01μF,16V
R8075		NRSA6AJ-102W	MG RESISTOR 1kΩ,1/16W	C1410		NCBA1CK-103W	CAPACITOR 0.01μF,16V
R8302		NRS181J-220X	MG RESISTOR 22Ω,1/8W	C1411		NCBA1CK-103W	CAPACITOR 0.01μF,16V
R8303		NRS181J-220X	MG RESISTOR 22Ω,1/8W	C1412		NCBA1CK-223W	CAPACITOR 0.022μF,16V
R8305		NRSA6AJ-105W	MG RESISTOR 1MΩ,1/16W	C1413		NCBA1CK-223W	CAPACITOR 0.022μF,16V
R8306		NRSA6AJ-103W	MG RESISTOR 10kΩ,1/16W	C1414		NCBA1CK-223W	CAPACITOR 0.022μF,16V
R8307		NRSA6AJ-103W	MG RESISTOR 10kΩ,1/16W	C1415		NCBA1CK-223W	CAPACITOR 0.022μF,16V
R8308		NRSA6AJ-103W	MG RESISTOR 10kΩ,1/16W	C1416		NCBA1AK-104W	CAPACITOR 0.1μF,10V
R8309		NRSA6AJ-103W	MG RESISTOR 10kΩ,1/16W	C2151		NCB30JK-105X	CAPACITOR 1μF,6.3V
R8312		NRSA6AJ-0R0W	MG RESISTOR 0Ω,1/16W	C2152		NCB30JK-105X	CAPACITOR 1μF,6.3V
RA1008		NRZ0034-104W	NETWORK RESISTOR 100kΩ	C2153		NCBA1HK-222W	CAPACITOR 0.0022μF,50V
RA1009		NRZ0034-104W	NETWORK RESISTOR 100kΩ	C2154		NCBA1HK-222W	CAPACITOR 0.0022μF,50V
RA1010		NRZ0034-104W	NETWORK RESISTOR 100kΩ	C2155		NBE20JM-475X	T CAPACITOR 4.7μF,6.3V
RA1401		NRZ0034-473W	NETWORK RESISTOR 47kΩ	C2156		NCB31CK-104X	CAPACITOR 0.1μF,16V
RA3001		NRZ0034-470W	NETWORK RESISTOR 47Ω	C2157		NCB31CK-104X	CAPACITOR 0.1μF,16V
RA3002		NRZ0034-470W	NETWORK RESISTOR 47Ω	C2161		NCB30JK-105X	CAPACITOR 1μF,6.3V
RA3003		NRZ0034-100W	NETWORK RESISTOR 10Ω	C2162		NCB30JK-105X	CAPACITOR 1μF,6.3V
RA3004		NRZ0034-103W	NETWORK RESISTOR 10kΩ	C2163		NBE20JM-106X	T CAPACITOR 10μF,6.3V
RA3005		NRZ0040-0R0X	NETWORK RESISTOR 0Ω	C3001		NBE20JM-106X	T CAPACITOR 10μF,6.3V
RA4201		NRZ0034-221W	NETWORK RESISTOR 220Ω	C3003		NCB30JK-105X	CAPACITOR 1μF,6.3V
RA4202		NRZ0034-221W	NETWORK RESISTOR 220Ω	C3005		NBE20JM-106X	T CAPACITOR 10μF,6.3V
RA4301		NRZ0034-181W	NETWORK RESISTOR 180Ω	C3007		NCB10JK-106X	CAPACITOR 10μF,6.3V
RA4302		NRZ0034-181W	NETWORK RESISTOR 180Ω	C3008		NBE20JM-106X	T CAPACITOR 10μF,6.3V
RA4303		NRZ0034-181W	NETWORK RESISTOR 180Ω	C3011		NCBA1AK-104W	CAPACITOR 0.1μF,10V
RA4304		NRZ0034-181W	NETWORK RESISTOR 180Ω	C3012		NCBA1AK-104W	CAPACITOR 0.1μF,10V
RA4305		NRZ0034-470W	NETWORK RESISTOR 47Ω	C3013		NCBA1CK-103W	CAPACITOR 0.01μF,16V
RA4306		NRZ0034-470W	NETWORK RESISTOR 47Ω	C3014		NCBA1CK-103W	CAPACITOR 0.01μF,16V
RA4307		NRZ0034-470W	NETWORK RESISTOR 47Ω	C3015		NCBA1CK-103W	CAPACITOR 0.01μF,16V
RA4308		NRZ0034-470W	NETWORK RESISTOR 47Ω	C3016		NCBA1AK-104W	CAPACITOR 0.1μF,10V
RA8001		NRZ0034-221W	NETWORK RESISTOR 220Ω	C3017		NCBA1AK-104W	CAPACITOR 0.1μF,10V
RA8002		NRZ0034-221W	NETWORK RESISTOR 220Ω	C3020		NCBA1AK-104W	CAPACITOR 0.1μF,10V
RA8003		NRZ0034-221W	NETWORK RESISTOR 220Ω	C3021		NCBA1AK-104W	CAPACITOR 0.1μF,10V
RA8004		NRZ0034-221W	NETWORK RESISTOR 220Ω	C3022		NCBA1AK-104W	CAPACITOR 0.1μF,10V
C1004		NCFA1AZ-104W	CAPACITOR 0.1μF,10V	C3023		NDCA1HJ-330W	CAPACITOR 33pF,50V
C1006		NDCA1HJ-130W	CAPACITOR 13pF,50V	C3024		NCBA1HK-102W	CAPACITOR 0.001μF,50V
C1007		NCFA1HZ-103W	CAPACITOR 0.01μF,50V	C3025		NCBA1AK-104W	CAPACITOR 0.1μF,10V
C1009		NCFA1HZ-103W	CAPACITOR 0.01μF,50V	C3026		NCB30JK-105X	CAPACITOR 1μF,6.3V
C1010		NCFA1HZ-103W	CAPACITOR 0.01μF,50V	C3027		NCBA1EK-472W	CAPACITOR 0.0047μF,25V
C1011		NCFA1HZ-103W	CAPACITOR 0.01μF,50V	C3028		NDCA1EJ-271W	CAPACITOR 270pF,25V
C1015		NCFA1HZ-103W	CAPACITOR 0.01μF,50V	C3029		NCBA1CK-103W	CAPACITOR 0.01μF,16V
C1016		NCFA1HZ-103W	CAPACITOR 0.01μF,50V	C3030		NCBA1AK-104W	CAPACITOR 0.1μF,10V

#	△ REF No.	PART No.	PART NAME, DESCRIPTION	#	△ REF No.	PART No.	PART NAME, DESCRIPTION
C3031		NCBA1AK-104W	CAPACITOR 0.1μF,10V	C3731		NCBA1CK-103W	CAPACITOR,C,D,E 0.01μF,16V
C3032		NCBA1HK-102W	CAPACITOR 0.001μF,50V	C3732		NCBA1HK-102W	CAPACITOR,C,D,E 0.001μF,50V
C3033		NDCA1HJ-220W	CAPACITOR 22pF,50V	C3733		NDCA1HJ-3R0W	CAPACITOR,C,D,E 3pF,50V
C3036		NDCA1HJ-8R0W	CAPACITOR 8pF,50V	C3734		NDCA1HJ-5R0W	CAPACITOR,C,D,E 5pF,50V
C3037		NDCA1HJ-8R0W	CAPACITOR 8pF,50V	C3735		NDCA1HJ-330W	CAPACITOR,C,D,E 33pF,50V
C3038		NCBA1AK-104W	CAPACITOR 0.1μF,10V	C3736		NCBA1HK-102W	CAPACITOR,C,D,E 0.001μF,50V
C3039		NCBA1AK-104W	CAPACITOR 0.1μF,10V	C3738		NCBA1CK-103W	CAPACITOR,C,D,E 0.01μF,16V
C3042		NCBA1CK-103W	CAPACITOR 0.01μF,16V	C3739		NCBA1CK-103W	CAPACITOR,C,D,E 0.01μF,16V
C3043		NCBA1CK-103W	CAPACITOR 0.01μF,16V	C3740		NCB30JK-105X	CAPACITOR,C,D,E 1μF,6.3V
C3044		NCBA1AK-104W	CAPACITOR 0.1μF,10V	C3741		NCB30JK-105X	CAPACITOR,C,D,E 1μF,6.3V
C3045		NCBA1AK-104W	CAPACITOR 0.1μF,10V	C3742		NCBA1AK-104W	CAPACITOR,C,D,E 0.1μF,10V
C3046		NCBA1CK-103W	CAPACITOR 0.01μF,16V	C3743		NDCA1HJ-3R0W	CAPACITOR,C,D,E 3pF,50V
C3048		NCB31CK-473X	CAPACITOR 0.047μF,16V	C3744		NDCA1HJ-5R0W	CAPACITOR,C,D,E 5pF,50V
C3049		NCBA1HK-222W	CAPACITOR 0.0022μF,50V	C3745		NDCA1HJ-330W	CAPACITOR,C,D,E 33pF,50V
C3050		NCBA1CK-103W	CAPACITOR 0.01μF,16V	C3746		NCB20JM-475X	CAPACITOR,C,D,E 4.7μF,6.3V
C3051		NCBA1HK-102W	CAPACITOR 0.001μF,50V	C3747		NCBA1CK-103W	CAPACITOR,C,D,E 0.01μF,16V
C3052		NCBA1AK-473W	CAPACITOR 0.047μF,10V	C3801		NCB21AK-105X	CAPACITOR 1μF,10V
C3054		NCB30JK-105X	CAPACITOR 1μF,6.3V	C3802		NCB21AK-105X	CAPACITOR 1μF,10V
C3056		NBE20JM-106X	T CAPACITOR 10μF,6.3V	C3803		NBE20JM-106X	T CAPACITOR 10μF,6.3V
C3059		NBE20GM-226X	T CAPACITOR 22μF,4.0V	C3804		NBE20GM-476X	T CAPACITOR 47μF,4.0V
C3060		NCBA1CK-103W	CAPACITOR 0.01μF,16V	C3805		NCBA1CK-103W	CAPACITOR 0.01μF,16V
C3061		NCBA1CK-103W	CAPACITOR 0.01μF,16V	C3806		NCBA1CK-103W	CAPACITOR 0.01μF,16V
C3064		NCBA1HK-102W	CAPACITOR 0.001μF,50V	C3807		NCBA1CK-103W	CAPACITOR 0.01μF,16V
C3501		NBE20JM-106X	T CAPACITOR 10μF,6.3V	C3808		NCBA1CK-103W	CAPACITOR 0.01μF,16V
C3502		NBE20JM-106X	T CAPACITOR 10μF,6.3V	C3809		NCB31CK-104X	CAPACITOR 0.1μF,16V
C3503		NBE20JM-106X	T CAPACITOR 10μF,6.3V	C3810		NCBA1CK-103W	CAPACITOR 0.01μF,16V
C3504		NCBA1AK-473W	CAPACITOR 0.047μF,10V	C3811		NCB31CK-104X	CAPACITOR 0.1μF,16V
C3505		NCBA1CK-223W	CAPACITOR 0.022μF,16V	C3812		NCBA1AK-104W	CAPACITOR 0.1μF,10V
C3506		NCB21AK-105X	CAPACITOR 1μF,10V	C3813		NCBA1AK-104W	CAPACITOR 0.1μF,10V
C3507		NCBA1CK-103W	CAPACITOR 0.01μF,16V	C3814		NCBA1CK-103W	CAPACITOR,C,D,E 0.01μF,16V
C3508		NCBA1CK-103W	CAPACITOR 0.01μF,16V	C3815		NCBA1AK-104W	CAPACITOR,C,D,E 0.1μF,10V
C3509		NCBA1CK-103W	CAPACITOR 0.01μF,16V	C3816		NCBA1AK-104W	CAPACITOR,C,D,E 0.1μF,10V
C3510		NCBA1AK-104W	CAPACITOR 0.1μF,10V	C3817		NCBA1AK-104W	CAPACITOR,C,D,E 0.1μF,10V
C3511		NCBA1CK-103W	CAPACITOR 0.01μF,16V	C3818		NCBA1AK-104W	CAPACITOR,C,D,E 0.1μF,10V
C3512		NCB31CK-104X	CAPACITOR 0.1μF,16V	C3819		NCBA1CK-103W	CAPACITOR 0.01μF,16V
C3513		NCBA1AK-104W	CAPACITOR 0.1μF,10V	C4201		NBE40JM-476X	T CAPACITOR 47μF,6.3V
C3514		NCBA1AK-473W	CAPACITOR 0.047μF,10V	C4202		NBE40JM-476X	T CAPACITOR 47μF,6.3V
C3515		NCBA1AK-473W	CAPACITOR 0.047μF,10V	C4203		NCBA1CK-103W	CAPACITOR 0.01μF,16V
C3516		NCBA1AK-473W	CAPACITOR 0.047μF,10V	C4204		NBE20GM-107X	T CAPACITOR 100μF,4.0V
C3517		NCBA1CK-103W	CAPACITOR 0.01μF,16V	C4205		NCBA1AK-104W	CAPACITOR 0.1μF,10V
C3518		NCBA1CK-103W	CAPACITOR 0.01μF,16V	C4206		NCBA1AK-104W	CAPACITOR 0.1μF,10V
C3519		NCBA1HK-102W	CAPACITOR 0.001μF,50V	C4207		NCBA1AK-104W	CAPACITOR 0.1μF,10V
C3520		NCBA1CK-103W	CAPACITOR 0.01μF,16V	C4208		NCBA1AK-104W	CAPACITOR 0.1μF,10V
C3521		NCBA1AK-104W	CAPACITOR 0.1μF,10V	C4209		NCBA1AK-104W	CAPACITOR 0.1μF,10V
C3522		NCB20JM-475X	CAPACITOR 4.7μF,6.3V	C4210		NCB30JK-105X	CAPACITOR 1μF,6.3V
C3523		NCBA1CK-103W	CAPACITOR 0.01μF,16V	C4211		NCB21CK-105X	CAPACITOR 1μF,16V
C3524		NCBA1CK-103W	CAPACITOR 0.01μF,16V	C4212		NCBA1CK-123W	CAPACITOR 0.012μF,16V
C3525		NCB20JM-475X	CAPACITOR 4.7μF,6.3V	C4213		NCBA1AK-104W	CAPACITOR 0.1μF,10V
C3526		NCBA1CK-103W	CAPACITOR 0.01μF,16V	C4214		NCBA1AK-104W	CAPACITOR 0.1μF,10V
C3527		NDCA1EJ-221W	CAPACITOR 220pF,25V	C4215		NCBA1AK-104W	CAPACITOR 0.1μF,10V
C3528		NCBA1CK-103W	CAPACITOR 0.01μF,16V	C4216		NCB30JK-105X	CAPACITOR 1μF,6.3V
C3701		NBE20JM-106X	T CAPACITOR 10μF,6.3V	C4217		NCB30JK-105X	CAPACITOR 1μF,6.3V
C3702		NDCA1HJ-560W	CAPACITOR 56pF,50V	C4218		NCBA1AK-104W	CAPACITOR 0.1μF,10V
C3703		NDCA1HJ-270W	CAPACITOR 27pF,50V	C4219		NCBA1AK-104W	CAPACITOR 0.1μF,10V
C3704		NDCA1HJ-680W	CAPACITOR 68pF,50V	C4220		NCB30JK-105X	CAPACITOR 1μF,6.3V
C3705		NDCA1HJ-270W	CAPACITOR 27pF,50V	C4301		NCB30JK-105X	CAPACITOR 1μF,6.3V
C3706		NCB30JK-105X	CAPACITOR 1μF,6.3V	C4302		NBE20JM-106X	T CAPACITOR 10μF,6.3V
C3707		NCBA1CK-103W	CAPACITOR 0.01μF,16V	C4303		NBE20JM-106X	T CAPACITOR 10μF,6.3V
C3708		NCBA1AK-104W	CAPACITOR 0.1μF,10V	C4304		NCBA1AK-104W	CAPACITOR 0.1μF,10V
C3709		NCBA1CK-103W	CAPACITOR 0.01μF,16V	C4305		NCB30JK-105X	CAPACITOR 1μF,6.3V
C3710		NBE20GM-226X	T CAPACITOR 22μF,4.0V	C4306		NBE20JM-106X	T CAPACITOR 10μF,6.3V
C3712		NBE20GM-107X	T CAPACITOR 100μF,4.0V	C4307		NBE20JM-106X	T CAPACITOR 10μF,6.3V
C3715		NCBA1CK-103W	CAPACITOR 0.01μF,16V	C4308		NBE20JM-106X	T CAPACITOR 10μF,6.3V

#	△ REF No.	PART No.	PART NAME, DESCRIPTION	#	△ REF No.	PART No.	PART NAME, DESCRIPTION	
C4309		NCBA1AK-104W	CAPACITOR	C6107		NCB30JK-105X	CAPACITOR	1μF,6.3V
C4310		NCBA1AK-104W	CAPACITOR	C6108		NCB30JK-105X	CAPACITOR	1μF,6.3V
C4311		NCBA1AK-104W	CAPACITOR	C6109		NCB30JK-105X	CAPACITOR	1μF,6.3V
C4312		NCBA1AK-104W	CAPACITOR	C6110		NCBA1AK-104W	CAPACITOR	0.1μF,10V
C4313		NCBA1AK-104W	CAPACITOR	C6111		NCBA1AK-104W	CAPACITOR	0.1μF,10V
C4315		NBE20JM-106X	T CAPACITOR	C6112		NCBA1AK-333W	CAPACITOR	0.033μF,10V
C4316		NCB30JK-105X	CAPACITOR	C6113		NCBA1HK-561W	CAPACITOR	560pF,50V
C4317		NCBA1AK-104W	CAPACITOR	C6114		NCBA1HK-272W	CAPACITOR	0.0027μF,50V
C4318		NCBA1AK-104W	CAPACITOR	C6115		NCBA1HK-561W	CAPACITOR	560pF,50V
C4803		NBE20JM-106X	T CAPACITOR	C6116		NCBA1CK-103W	CAPACITOR	0.01μF,16V
C4804		NCFA1AZ-104W	CAPACITOR	C6117		NCBA1AK-104W	CAPACITOR	0.1μF,10V
C4806		NCFA1AZ-104W	CAPACITOR	C6118		NCBA1AK-104W	CAPACITOR	0.1μF,10V
C4808		NCB30JK-105X	CAPACITOR	C6119		NDCA1HJ-101W	CAPACITOR	100pF,50V
C4809		NCFA1AZ-104W	CAPACITOR	C6120		NCB30JK-105X	CAPACITOR	1μF,6.3V
C4810		NCBA1CK-103W	CAPACITOR	C6121		NCBA1AK-104W	CAPACITOR	0.1μF,10V
C4811		NCBA1CK-103W	CAPACITOR	C6122		NCBA1CK-223W	CAPACITOR	0.022μF,16V
C4812		NCFA1AZ-104W	CAPACITOR	C6123		NCBA1CK-103W	CAPACITOR	0.01μF,16V
C4813		NCFA1AZ-104W	CAPACITOR	C6124		NCBA1CK-103W	CAPACITOR	0.01μF,16V
C4814		NCFA1AZ-104W	CAPACITOR	C6125		NCBA1CK-103W	CAPACITOR	0.01μF,16V
C4815		NCB31HK-152X	CAPACITOR	C6126		NCBA1CK-103W	CAPACITOR	0.01μF,16V
C4819		NCF31CZ-104X	CAPACITOR	C6127		NCBA1HK-102W	CAPACITOR	0.001μF,50V
C4851		NBE20JM-106X	T CAPACITOR	C6128		NCB21CK-105X	CAPACITOR	1μF,16V
C4852		NCFA1AZ-104W	CAPACITOR	C6129		NCBA1HK-561W	CAPACITOR	560pF,50V
C4853		NBE21AM-335X	T CAPACITOR	C6130		NCBA1AK-104W	CAPACITOR	0.1μF,10V
C4854		NBE21AM-106X	T CAPACITOR	C6131		NCBA1AK-104W	CAPACITOR	0.1μF,10V
C4855		NCB31CK-104X	CAPACITOR	C6132		NCBA1AK-104W	CAPACITOR	0.1μF,10V
C4858		NDCA1HJ-680W	CAPACITOR	C6134		NCBA1AK-104W	CAPACITOR	0.1μF,10V
C4859		NCBA1CK-103W	CAPACITOR	C6201		NCB21CK-105X	CAPACITOR	1μF,16V
C4860		NCBA1CK-103W	CAPACITOR	C6202		NCB10JK-106X	CAPACITOR	10μF,6.3V
C4861		NCBA1CK-103W	CAPACITOR	C6203		NCBA1HK-102W	CAPACITOR	0.001μF,50V
C4862		NCBA1CK-103W	CAPACITOR	C6204		NCBA1HK-561W	CAPACITOR	560pF,50V
C4864		NBE20JM-106X	T CAPACITOR	C6205		NCB30JK-105X	CAPACITOR	1μF,6.3V
C4865		NCFA1AZ-104W	CAPACITOR	C6206		NCB21CK-105X	CAPACITOR	1μF,16V
C5001		NCB30JK-105X	CAPACITOR	C6207		NCB10JK-106X	CAPACITOR	10μF,6.3V
C5002		NCBA1AK-104W	CAPACITOR	C6208		NCBA1EK-472W	CAPACITOR	0.0047μF,25V
C5003		NBE20JM-106X	T CAPACITOR	C6209		NCB21CK-105X	CAPACITOR	1μF,16V
C5004		NCB30JK-105X	CAPACITOR	C6210		NCB10JK-106X	CAPACITOR	10μF,6.3V
C5005		NCBA1AK-104W	CAPACITOR	C6211		NCBA1HK-102W	CAPACITOR	0.001μF,50V
C5006		NCBA1AK-104W	CAPACITOR	C6214		NCB21CK-105X	CAPACITOR	1μF,16V
C5008		NBE20JM-476X	T CAPACITOR	C6215		NCB30JK-105X	CAPACITOR	1μF,6.3V
C5009		NBE20JM-476X	T CAPACITOR	C6216		NCBA1AK-683W	CAPACITOR	0.068μF,10V
C5011		NCBA1AK-104W	CAPACITOR	C6217		NCB21CK-105X	CAPACITOR	1μF,16V
C5012		NCBA1AK-104W	CAPACITOR	C6218		NCB30JK-105X	CAPACITOR	1μF,6.3V
C5013		NCBA1AK-104W	CAPACITOR	C6219		NCB21CK-224X	CAPACITOR	0.22μF,16V
C5014		NCBA1AK-104W	CAPACITOR	C6220		NCB21CK-105X	CAPACITOR	1μF,16V
C5017		NBE41AM-476X	T CAPACITOR	C6221		NCB21CK-105X	CAPACITOR	1μF,16V
C5021		NBP41EM-475X	T CAPACITOR	C6222		NCB11EK-105X	CAPACITOR	1μF,25V
C5023		NCBA1AK-104W	CAPACITOR	C6224		NCBA1HK-222W	CAPACITOR	0.0022μF,50V
C5024		NCF31EZ-104X	CAPACITOR	C6225		NCBA1CK-103W	CAPACITOR	0.01μF,16V
C5025		NBP21VM-105X	T CAPACITOR	C6226		NCB21CK-105X	CAPACITOR	1μF,16V
C5026		NCBA1AK-104W	CAPACITOR	C6227		NCB21CK-105X	CAPACITOR	1μF,16V
C5027		NCBA1AK-104W	CAPACITOR	C6228		NCB11EK-105X	CAPACITOR	1μF,25V
C5028		NBE20JM-106X	T CAPACITOR	C6230		NCB21CK-105X	CAPACITOR	1μF,16V
C6001		NCBA1CK-103W	CAPACITOR	C6701		NCB21CK-105X	CAPACITOR	1μF,16V
C6002		NCBA1AK-104W	CAPACITOR	C6703		NCB21CK-105X	CAPACITOR	1μF,16V
C6003		NBE20JM-106X	T CAPACITOR	C8001		NBE20JM-106X	T CAPACITOR	10μF,6.3V
C6004		NCB30JK-105X	CAPACITOR	C8002		NBE20JM-106X	T CAPACITOR	10μF,6.3V
C6005		NDCA1HJ-101W	CAPACITOR	C8003		NBE20JM-106X	T CAPACITOR	10μF,6.3V
C6101		NCB21CK-105X	CAPACITOR	C8004		NCBA1AK-104W	CAPACITOR	0.1μF,10V
C6102		NBP41DM-106X	T CAPACITOR	C8005		NCBA1AK-104W	CAPACITOR	0.1μF,10V
C6103		NCB21CK-105X	CAPACITOR	C8006		NBE20JM-106X	T CAPACITOR	10μF,6.3V
C6105		NCB21CK-105X	CAPACITOR	C8007		NCBA1AK-104W	CAPACITOR	0.1μF,10V
C6106		NCB30JK-105X	CAPACITOR	C8008		NCBA1AK-104W	CAPACITOR	0.1μF,10V

#	△ REF No.	PART No.	PART NAME, DESCRIPTION
R1605		NRV142F-R22X	CMF RESISTOR 0.22Ω,1/4W
R1609		NRV142F-R33X	CMF RESISTOR 0.33Ω,1/4W
R1610		NRSA6AJ-471W	MG RESISTOR 470Ω,1/16W
R1611		NRSA6AJ-471W	MG RESISTOR 470Ω,1/16W
R1612		NRSA6AJ-104W	MG RESISTOR 100kΩ,1/16W
R1613		NRSA6AJ-102W	MG RESISTOR 1kΩ,1/16W
R1614		NRSA6AJ-102W	MG RESISTOR 1kΩ,1/16W
R1615		NRSA6AJ-102W	MG RESISTOR 1kΩ,1/16W
R1616		NRSA6AJ-391W	MG RESISTOR 390Ω,1/16W
R1617		NRSA6AJ-683W	MG RESISTOR 68kΩ,1/16W
R1618		NRSA6AJ-683W	MG RESISTOR 68kΩ,1/16W
R1619		NRSA6AJ-393W	MG RESISTOR 39kΩ,1/16W
R1620		NRSA6AJ-103W	MG RESISTOR 10kΩ,1/16W
R1621		NRSA6AJ-103W	MG RESISTOR 10kΩ,1/16W
R1622		NRSA6AJ-103W	MG RESISTOR 10kΩ,1/16W
R1624		NRVA6AD-123W	CMF RESISTOR 12kΩ,1/16W
R1625		NRSA6AJ-181W	MG RESISTOR 180Ω,1/16W
R1626		NRSA6AJ-181W	MG RESISTOR 180Ω,1/16W
R1628		NRVA6AD-271W	CMF RESISTOR 270Ω,1/16W
R1629		NRSA6AJ-564W	MG RESISTOR 560kΩ,1/16W
R1630		NRSA6AJ-0R0W	MG RESISTOR 0Ω,1/16W
R1631		NRSA6AJ-0R0W	MG RESISTOR 0Ω,1/16W
R1635		NRSA6AJ-472W	MG RESISTOR 4.7kΩ,1/16W
R1636		NRSA6AJ-103W	MG RESISTOR 10kΩ,1/16W
R1637		NRSA6AJ-154W	MG RESISTOR 150kΩ,1/16W
R1801		NRSA6AJ-470W	MG RESISTOR 47Ω,1/16W
R1802		NRSA6AJ-471W	MG RESISTOR 470Ω,1/16W
C1601		NCBA1CK-103W	CAPACITOR 0.01μF,16V
C1602		NBE20JM-106X	T CAPACITOR 10μF,6.3V
C1603		NBE20JM-106X	T CAPACITOR 10μF,6.3V
C1605		NCBA1AK-104W	CAPACITOR 0.1μF,10V
C1606		NCBA1HK-152W	CAPACITOR 0.0015μF,50V
C1607		NCBA1AK-473W	CAPACITOR 0.047μF,10V
C1614		NBE20JM-106X	T CAPACITOR 10μF,6.3V
C1618		NCBA1HK-222W	CAPACITOR 0.0022μF,50V
C1619		NCBA1HK-222W	CAPACITOR 0.0022μF,50V
C1620		NCBA1HK-222W	CAPACITOR 0.0022μF,50V
C1621		NCB30JK-105X	CAPACITOR 1μF,6.3V
C1622		NCBA1CK-223W	CAPACITOR 0.022μF,16V
C1623		NCBA1AK-473W	CAPACITOR 0.047μF,10V
C1624		NCBA1CK-103W	CAPACITOR 0.01μF,16V
C1625		NCBA1AK-473W	CAPACITOR 0.047μF,10V
C1626		NCBA1HK-331W	CAPACITOR 330pF,50V
C1627		NCBA1CK-822W	CAPACITOR 0.0082μF,16V
C1628		NCB21CK-224X	CAPACITOR 0.22μF,16V
C1632		NBE20JM-106X	T CAPACITOR 10μF,6.3V
C1633		NCB21CK-474X	CAPACITOR 0.47μF,16V
C1641		NCB21CK-474X	CAPACITOR 0.47μF,16V
C1801		NBE21AM-106X	T CAPACITOR 10μF,10V
△ BT1801		QAB0041-001	LI BATTERY
CN201		QGF0505F2-06X	FPC CONNECTOR
CN202		QGF0505F2-11X	FPC CONNECTOR
CN203		QGF0505F2-18X	FPC CONNECTOR
CN204		QGF0507F3-15X	FFC/FPC CONNECTOR
CN205		QGB0405M1-60X	CONNECTOR
CN206		QGF0508F1-14X	FPC CONNECTOR
OT1		LY43874-001A	SPACER
OT2		LY30029-0W1A	SPACER(A)

#	△ REF No.	PART No.	PART NAME, DESCRIPTION

CCD BOARD ASSEMBLY <03>			
PW		YB10375A	CCD BOARD ASSY
Q5201		2SC3931/CD/-X	TRANSISTOR
Q5202		2SC4081/RS/-X	TRANSISTOR
Q5203		2SC3931/CD/-X	TRANSISTOR
R5201		NRSA63J-472X	MG RESISTOR 4.7kΩ,1/16W
R5202		NRSA02J-0R0X	MG RESISTOR 0Ω,1/10W
R5203		NRSA63J-104X	MG RESISTOR 100kΩ,1/16W
R5205		NRSA02J-472X	MG RESISTOR 4.7kΩ,1/10W
R5206		NRSA63J-103X	MG RESISTOR 10kΩ,1/16W
R5207		NRSA63J-123X	MG RESISTOR 12kΩ,1/16W
R5208		NRSA63J-102X	MG RESISTOR 1kΩ,1/16W
C5201		NCB21CK-104X	CAPACITOR 0.1μF,16V
C5202		NBP41DM-106X	T CAPACITOR 10μF,20V
C5203		NCB21CK-104X	CAPACITOR 0.1μF,16V
C5204		NBE21AM-106X	T CAPACITOR 10μF,10V
C5205		NCB11EK-104X	CAPACITOR 0.1μF,25V
C5206		NCB21CK-104X	CAPACITOR 0.1μF,16V
C5207		NCB31EK-222X	CAPACITOR 0.0022μF,25V
C5211		NCB21CK-105X	CAPACITOR 1μF,16V
L5201		NQL315K-100X	COIL 10μH

MONITOR BOARD ASSEMBLY <04>

PW		YB10381B-01	MONITOR BOARD ASSY,A,B
		YB10381D-01	MONITOR BOARD ASSY,C,D,E
IC7601		AN2540FHQ	IC
IC7602		BA4558F	IC
IC7603		AT25040N-10SC-X	IC
		or 25LC040-I/SN-X	IC
IC7604		SN74LV08APW	IC
Q7501		2SD1664/QR/-W	TRANSISTOR
Q7502		2SD1664/QR/-W	TRANSISTOR
Q7503		DTA144EE	DIGI TRANSISTOR
		or RN2104	DIGI TRANSISTOR
		or UN9113J	DIGI TRANSISTOR
Q7504		2SC4617/QR/-X	TRANSISTOR
		or 2SC4738/YG/-X	TRANSISTOR
Q7601		2SC4617/QR/-X	TRANSISTOR
		or 2SC4738/YG/-X	TRANSISTOR
Q7602		2SA1774/QR/-X	TRANSISTOR
		or 2SA1832/YG/-X	TRANSISTOR
Q7603		2SC4617/QR/-X	TRANSISTOR
		or 2SC4738/YG/-X	TRANSISTOR
Q7604		2SA1774/QR/-X	TRANSISTOR
		or 2SA1832/YG/-X	TRANSISTOR
Q7608		DTC144EE	DIGI TRANSISTOR
		or RN1104	DIGI TRANSISTOR
		or UN9213J	DIGI TRANSISTOR
Q7609		DTC144EE	DIGI TRANSISTOR
		or RN1104	DIGI TRANSISTOR
		or UN9213J	DIGI TRANSISTOR
Q7610		DTA144EE	DIGI TRANSISTOR
		or RN2104	DIGI TRANSISTOR
		or UN9113J	DIGI TRANSISTOR

#	△ REF No.	PART No.	PART NAME, DESCRIPTION	
C557		NCB31HK-102X	CAPACITOR	0.001μF,50V
C558		NCB31HK-102X	CAPACITOR	0.001μF,50V
C559		NCB31HK-472X	CAPACITOR,C	0.0047μF,50V
C1101		NCB31CK-104X	CAPACITOR	0.1μF,16V
C1102		NCB31CK-223X	CAPACITOR	0.022μF,16V
C1103		NCB31CK-223X	CAPACITOR	0.022μF,16V
C1104		NCB30JK-105X	CAPACITOR	1μF,6.3V
C1105		NBE20JM-106X	T CAPACITOR	10μF,6.3V
C1106		NBE20JM-106X	T CAPACITOR	10μF,6.3V
L503		NQR0458-003X	COIL,C,D,E	
L551		NQR0251-004X	FERRITE BEAD	
L552		NQR0251-004X	FERRITE BEAD	
L553		NQR0251-004X	FERRITE BEAD	
L555		NQR0251-004X	FERRITE BEAD	
L556		NQR0251-004X	FERRITE BEAD	
L1101		NQL402M-100X	COIL	10μH
J501		NNZ0041-001X	D CONNECTOR	
J502		QNZ0497-001	USB CONNECTOR	
J504		QND0087-001	S JACK	
J505		LY32575-001A	BATT.TERNIMAL	
J551		QNA0027-001	DC JACK	
J552		QNS0078-001	3.5 JACK	
J553		PEMC1203	MINI JACK	
J554		QNS0012-001	3.5 JACK	
TP504		NNZ0084-001X	EARTH TERMINAL,C	
CN501		QGB0405M1-60X	CONNECTOR	
CN502		QGA1001F1-03X	CONNECTOR	
CN503		QGA1001F1-02X	CONNECTOR	
CN504		QGA1001F1-04X	CONNECTOR	
OT1		LY43642-001A	SHEET(TERM.)	
OT2		LY30029-0Z8A	SPACER(A)	

SD BOARD ASSEMBLY <06>

PW	YB10379A	SD BOARD ASSY	
IC6601	TC7W74FU	IC(DIGITAL)	
	or TC7WH74FU	IC(DIGITAL)	
Q6601	DTC144EE	DIGI TRANSISTOR	
	or PDTC144EE	DIGI TRANSISTOR	
	or RN1104	DIGI TRANSISTOR	
	or UN9213J	DIGI TRANSISTOR	
Q6602	UMS1N	PAIR TRANSISTOR	
Q6611	2SA1774/RS/-X	TRANSISTOR	
Q6612	UMS1N	PAIR TRANSISTOR	
Q6613	2SC4617/RS/-X	TRANSISTOR	
Q6614	RN1702	DIGI TRANSISTOR	
Q6615	UMC4N	DIGI TRANSISTOR	
D8501	EMZ6.8N	ZENER DIODE	
D8502	UMZ6.8EN	ZENER DIODE	
R6601	NRSA6AJ-822W	MG RESISTOR	8.2kΩ,1/16W
R6603	NRVA6AD-683W	CMF RESISTOR	68kΩ,1/16W
R6604	NRVA6AD-104W	CMF RESISTOR	100kΩ,1/16W
R6605	NRSA6AJ-184W	MG RESISTOR	180kΩ,1/16W
R6606	NRSA6AJ-823W	MG RESISTOR	82kΩ,1/16W
R6611	NRSA6AJ-335W	MG RESISTOR	3.3MΩ,1/16W
R6612	NRSA6AJ-474W	MG RESISTOR	470kΩ,1/16W
R6613	NRSA6AJ-473W	MG RESISTOR	47kΩ,1/16W
R6614	NRSA6AJ-473W	MG RESISTOR	47kΩ,1/16W
R6615	NRSA6AJ-474W	MG RESISTOR	470kΩ,1/16W
R6616	NRSA6AJ-273W	MG RESISTOR	27kΩ,1/16W

#	△ REF No.	PART No.	PART NAME, DESCRIPTION	
R6617		NRSA6AJ-103W	MG RESISTOR	10kΩ,1/16W
R8501		NRSA6AJ-473W	MG RESISTOR	47kΩ,1/16W
R8502		NRSA6AJ-473W	MG RESISTOR	47kΩ,1/16W
R8503		NRSA6AJ-103W	MG RESISTOR	10kΩ,1/16W
R8504		NRSA6AJ-103W	MG RESISTOR	10kΩ,1/16W
R8505		NRSA6AJ-473W	MG RESISTOR	47kΩ,1/16W
R8506		NRSA6AJ-104W	MG RESISTOR	100kΩ,1/16W
C6601		NCBA1CK-103W	CAPACITOR	0.01μF,16V
C6602		NCB21CK-105X	CAPACITOR	1μF,16V
C6603		NCBA1HK-102W	CAPACITOR	0.001μF,50V
C6604		NCBA1AK-473W	CAPACITOR	0.047μF,10V
C6611		NCBA1CK-223W	CAPACITOR	0.022μF,16V
C6612		NDCA1EJ-221W	CAPACITOR	220pF,25V
C6613		NDCA1EJ-121W	CAPACITOR	120pF,25V
C8502		NBE80JM-106X	T CAPACITOR	10μF,6.3V
L6601		NQR0006-001X	FERRITE BEAD	
L8501		NQR0129-002X	FERRITE BEAD	
CN601		QGF0508F1-20X	FPC CONNECTOR	
CN602		QGF0508F1-12X	FPC CONNECTOR	
CN603		NNZ0062-001X	SD CARD CONNECTOR,A	
		NNZ0076-001X	SD CARD CONNECTOR,B,C,D,E	

STROBE BOARD ASSEMBLY <07>

PW	YB10380A-01	STROBE BOARD ASSY	
IC6502	TC7SET08FU	IC(DIGITAL)	
Q6501	2SB1462J/RS/-X	TRANSISTOR	
Q6502	UN9211J	DIGI TRANSISTOR	
	or DTC114EE	DIGI TRANSISTOR	
△ Q6503	2SB1124/ST/-X	TRANSISTOR	
Q6504	2SD1628/FG/-X	TRANSISTOR	
Q6506	CT25ASJ-8-X	POW TRANSISTOR	
D6501	F1F16	DIODE	
D6502	DA121	DIODE	
D6503	F1SN4	DIODE	
D6504	CRG02	DIODE	
R6501	NRSA63J-3R9X	MG RESISTOR	3.9Ω,1/16W
R6502	NRSA63J-4R7X	MG RESISTOR	4.7Ω,1/16W
R6504	NRSA6AJ-471W	MG RESISTOR	470Ω,1/16W
R6505	NRSA6AJ-222W	MG RESISTOR	2.2kΩ,1/16W
R6506	NRSA6AJ-152W	MG RESISTOR	1.5kΩ,1/16W
R6507	NRSA02J-106X	MG RESISTOR	10MΩ,1/10W
R6508	NRVA63D-184X	CMF RESISTOR	180kΩ,1/16W
R6514	NRSA02J-105X	MG RESISTOR	1MΩ,1/10W
R6515	NRS181J-220X	MG RESISTOR	22Ω,1/8W
R6516	NRSA02J-104X	MG RESISTOR	100kΩ,1/10W
R6519	NRSA02J-106X	MG RESISTOR	10MΩ,1/10W
R6520	NRSA6AJ-330W	MG RESISTOR	33Ω,1/16W
R6527	NRSA6AJ-391W	MG RESISTOR	390Ω,1/16W
C6501	NBE41AM-336X	T CAPACITOR	33μF,10V
C6502	NBE41AM-226X	T CAPACITOR	22μF,10V
C6503	NCBA1CK-103W	CAPACITOR	0.01μF,16V
C6506	NCZ1008-333X	CAPACITOR	0.033μF,250V
C6507	NCZ1008-473X	CAPACITOR	0.047μF,250V
C6508	NCBA1CK-103W	CAPACITOR	0.01μF,16V
C6509	NCZ1024-103X	CAPACITOR	0.01μF,250V
L6501	NQS0042-001X	SW TRANSF	
L6502	NQL302N-100X	COIL	10μH
L6503	NQL044K-470X	COIL	47μH

#	△ REF No.	PART No.	PART NAME, DESCRIPTION
	FW1	QAL0403-001	FPC,CN6501-SD CN602
	HD1	LY43587-001A	HOLDER(STB)ASSY
	WR1	WJV0060-001A	E-PRIMARY WIRE,OT1-W(WHITE)
	WR2	QUB490-03A2A2	WIRE,OT1-BK(BLACK)
	CN6501	QGF0513F2-12X	FPC CONNECTOR
	OT1	QEZ0450-326	E CAPACITOR 32μF,10V
	OT2	LY30018-037A	SPECIAL SCREW
	OT3	LY41409-002A	SPACER(STROBO)
	OT4	LY30029-0Z4A	SPACER(A)
	OT5	LY32221-001A	STROBE ASSY

AUDIO BOARD ASSEMBLY <08>

	PW	YB10377B-01	AUDIO BOARD ASSY,A,B
		YB10377C-01	AUDIO BOARD ASSY,C,D,E
	IC2101	AK4550VT	IC
	IC2201	LA74206W	IC
	IC2301	BA4510FV	IC
	IC7001	TC7SH32FU	IC(DIGITAL),A,B
	Q2301	2SC4617/QR/-X	TRANSISTOR
		or 2SD2216J/QR/-X	TRANSISTOR
	Q2302	UMX18N	PAIR TRANSISTOR
	Q2401	2SA1774/QR/-X	TRANSISTOR
	Q2402	DTC144EE	DIGI TRANSISTOR
		or PDC144EE	DIGI TRANSISTOR
		or RN1104	DIGI TRANSISTOR
		or UN9213J	DIGI TRANSISTOR
	Q2403	2SC4617/QR/-X	TRANSISTOR
		or 2SD2216J/QR/-X	TRANSISTOR
	Q2601	2SC4617/QR/-X	TRANSISTOR
		or 2SD2216J/QR/-X	TRANSISTOR
	Q2602	2SC4617/QR/-X	TRANSISTOR
		or 2SD2216J/QR/-X	TRANSISTOR
	Q7001	UMZ1N	PAIR TRANSISTOR,C,D,E
	Q7002	2SC4617/QR/-X	TRANSISTOR,A,B
	Q7005	2SA1774/QR/-X	TRANSISTOR,A,B
	R2001	NRSA6AJ-103W	MG RESISTOR 10kΩ,1/16W
	R2002	NRSA6AJ-152W	MG RESISTOR 1.5kΩ,1/16W
	R2003	NRSA6AJ-182W	MG RESISTOR 1.8kΩ,1/16W
	R2004	NRSA6AJ-272W	MG RESISTOR 2.7kΩ,1/16W
	R2101	NRSA6AJ-471W	MG RESISTOR 470Ω,1/16W
	R2102	NRSA6AJ-471W	MG RESISTOR 470Ω,1/16W
	R2103	NRSA6AJ-0R0W	MG RESISTOR 0Ω,1/16W
	R2201	NRSA6AJ-103W	MG RESISTOR 10kΩ,1/16W
	R2202	NRSA6AJ-103W	MG RESISTOR 10kΩ,1/16W
	R2203	NRSA6AJ-473W	MG RESISTOR,C,D,E 47kΩ,1/16W
	R2204	NRSA6AJ-473W	MG RESISTOR,C,D,E 47kΩ,1/16W
	R2205	NRSA6AJ-472W	MG RESISTOR 4.7kΩ,1/16W
	R2206	NRSA6AJ-472W	MG RESISTOR 4.7kΩ,1/16W
	R2207	NRSA6AJ-2R7W	MG RESISTOR 2.7Ω,1/16W
	R2208	NRSA6AJ-2R7W	MG RESISTOR 2.7Ω,1/16W
	R2209	NRSA6AJ-102W	MG RESISTOR 1kΩ,1/16W
	R2210	NRSA6AJ-102W	MG RESISTOR 1kΩ,1/16W
	R2211	NRSA6AJ-103W	MG RESISTOR 10kΩ,1/16W
	R2212	NRSA6AJ-103W	MG RESISTOR 10kΩ,1/16W
	R2213	NRSA6AJ-681W	MG RESISTOR 680Ω,1/16W
	R2214	NRSA6AJ-104W	MG RESISTOR 100kΩ,1/16W
	R2215	NRSA6AJ-823W	MG RESISTOR 82kΩ,1/16W

#	△ REF No.	PART No.	PART NAME, DESCRIPTION
	R2301	NRSA6AJ-183W	MG RESISTOR 18kΩ,1/16W
	R2302	NRSA6AJ-183W	MG RESISTOR 18kΩ,1/16W
	R2303	NRSA6AJ-183W	MG RESISTOR 18kΩ,1/16W
	R2304	NRSA6AJ-183W	MG RESISTOR 18kΩ,1/16W
	R2305	NRSA6AJ-184W	MG RESISTOR 180kΩ,1/16W
	R2306	NRSA6AJ-184W	MG RESISTOR 180kΩ,1/16W
	R2307	NRSA6AJ-473W	MG RESISTOR 47kΩ,1/16W
	R2308	NRSA6AJ-473W	MG RESISTOR 47kΩ,1/16W
	R2309	NRSA6AJ-473W	MG RESISTOR 47kΩ,1/16W
	R2310	NRSA6AJ-473W	MG RESISTOR 47kΩ,1/16W
	R2311	NRSA6AJ-103W	MG RESISTOR 10kΩ,1/16W
	R2312	NRSA6AJ-103W	MG RESISTOR 10kΩ,1/16W
	R2313	NRSA6AJ-564W	MG RESISTOR 560kΩ,1/16W
	R2314	NRSA6AJ-564W	MG RESISTOR 560kΩ,1/16W
	R2315	NRSA6AJ-332W	MG RESISTOR 3.3kΩ,1/16W
	R2316	NRSA6AJ-104W	MG RESISTOR 100kΩ,1/16W
	R2317	NRSA6AJ-104W	MG RESISTOR 100kΩ,1/16W
	R2318	NRSA6AJ-102W	MG RESISTOR 1kΩ,1/16W
	R2319	NRSA6AJ-103W	MG RESISTOR 10kΩ,1/16W
	R2401	NRSA6AJ-473W	MG RESISTOR 47kΩ,1/16W
	R2402	NRSA6AJ-332W	MG RESISTOR 3.3kΩ,1/16W
	R2403	NRSA6AJ-822W	MG RESISTOR 8.2kΩ,1/16W
	R2404	NRSA6AJ-473W	MG RESISTOR 47kΩ,1/16W
	R2407	NRSA6AJ-560W	MG RESISTOR 56Ω,1/16W
	R2408	NRSA6AJ-560W	MG RESISTOR 56Ω,1/16W
	R2601	NRSA6AJ-222W	MG RESISTOR 2.2kΩ,1/16W
	R2602	NRSA6AJ-222W	MG RESISTOR 2.2kΩ,1/16W
	R2603	NRSA6AJ-472W	MG RESISTOR 4.7kΩ,1/16W
	R2604	NRSA6AJ-472W	MG RESISTOR 4.7kΩ,1/16W
	R2605	NRSA6AJ-682W	MG RESISTOR 6.8kΩ,1/16W
	R2606	NRSA6AJ-682W	MG RESISTOR 6.8kΩ,1/16W
	R2609	NRSA6AJ-472W	MG RESISTOR 4.7kΩ,1/16W
	R2610	NRSA6AJ-472W	MG RESISTOR 4.7kΩ,1/16W
	R2611	NRSA6AJ-472W	MG RESISTOR 4.7kΩ,1/16W
	R2612	NRSA6AJ-472W	MG RESISTOR 4.7kΩ,1/16W
	R2613	NRSA6AJ-332W	MG RESISTOR 3.3kΩ,1/16W
	R2614	NRSA6AJ-332W	MG RESISTOR 3.3kΩ,1/16W
	R2615	NRSA6AJ-123W	MG RESISTOR 12kΩ,1/16W
	R2616	NRSA6AJ-123W	MG RESISTOR 12kΩ,1/16W
	R2617	NRSA6AJ-333W	MG RESISTOR 33kΩ,1/16W
	R2618	NRSA6AJ-333W	MG RESISTOR 33kΩ,1/16W
	R2619	NRSA6AJ-153W	MG RESISTOR 15kΩ,1/16W
	R2620	NRSA6AJ-153W	MG RESISTOR 15kΩ,1/16W
	R2621	NRSA6AJ-153W	MG RESISTOR 15kΩ,1/16W
	R2622	NRSA6AJ-153W	MG RESISTOR 15kΩ,1/16W
	R7001	NRSA6AD-183W	MG RESISTOR,C,D,E 18kΩ,1/16W
	R7002	NRSA6AD-334W	MG RESISTOR,C,D,E 330kΩ,1/16W
	R7003	NRSA6AJ-224W	MG RESISTOR,C,D,E 220kΩ,1/16W
	R7004	NRSA6AJ-393W	MG RESISTOR,C,D,E 39kΩ,1/16W
	R7005	NRSA6AJ-271W	MG RESISTOR,A,B 270Ω,1/16W
	R7007	NRSA6AJ-0R0W	MG RESISTOR,A,B 0Ω,1/16W
	R7008	NRSA6AJ-0R0W	MG RESISTOR,C,D,E 0Ω,1/16W
	R7009	NRSA6AJ-0R0W	MG RESISTOR,C,D,E 0Ω,1/16W
	R7010	NRSA6AJ-0R0W	MG RESISTOR,C,D,E 0Ω,1/16W
	R7011	NRSA6AJ-562W	MG RESISTOR,A,B 5.6kΩ,1/16W
	R7012	NRSA6AJ-102W	MG RESISTOR,A,B 1kΩ,1/16W
	C2101	NCB30JK-105X	CAPACITOR 1μF,6.3V
	C2102	NCB30JK-105X	CAPACITOR 1μF,6.3V
	C2103	NCBA1HK-222W	CAPACITOR 0.0022μF,50V
	C2104	NCBA1HK-222W	CAPACITOR 0.0022μF,50V
	C2105	NBE20JM-475X	T CAPACITOR 4.7μF,6.3V
	C2106	NCBA1AK-104W	CAPACITOR 0.1μF,10V
	C2107	NCBA1AK-104W	CAPACITOR 0.1μF,10V

#	△ REF No.	PART No.	PART NAME, DESCRIPTION
C2108		NBE20JM-106X	T CAPACITOR 10μF,6.3V
C2201		NCB20JK-225X	CAPACITOR 2.2μF,6.3V
C2202		NCB20JK-225X	CAPACITOR 2.2μF,6.3V
C2203		NCB21CK-474X	CAPACITOR,C,D,E 0.47μF,16V
C2204		NCB21CK-474X	CAPACITOR,C,D,E 0.47μF,16V
C2207		NBE90JM-106X	T CAPACITOR 10μF,6.3V
C2208		NBE90JM-106X	T CAPACITOR 10μF,6.3V
C2209		NCB30JK-105X	CAPACITOR 1μF,6.3V
C2210		NCB30JK-105X	CAPACITOR 1μF,6.3V
C2211		NCBA1AK-104W	CAPACITOR 0.1μF,10V
C2212		NCBA1AK-104W	CAPACITOR 0.1μF,10V
C2213		NBE20JM-106X	T CAPACITOR 10μF,6.3V
C2214		NBE20JM-475X	T CAPACITOR 4.7μF,6.3V
C2215		NCBA1AK-104W	CAPACITOR 0.1μF,10V
C2217		NBE20JM-106X	T CAPACITOR 10μF,6.3V
C2218		NCBA1CK-103W	CAPACITOR 0.01μF,16V
C2219		NCBA1AK-104W	CAPACITOR 0.1μF,10V
C2220		NCBA1AK-104W	CAPACITOR 0.1μF,10V
C2221		NCBA1CK-103W	CAPACITOR 0.01μF,16V
C2222		NCB30JK-105X	CAPACITOR 1μF,6.3V
C2301		NCB30JK-105X	CAPACITOR 1μF,6.3V
C2302		NCB30JK-105X	CAPACITOR 1μF,6.3V
C2303		NCB30JK-105X	CAPACITOR 1μF,6.3V
C2304		NCB30JK-105X	CAPACITOR 1μF,6.3V
C2305		NCB30JK-105X	CAPACITOR 1μF,6.3V
C2306		NCB30JK-105X	CAPACITOR 1μF,6.3V
C2307		NCB31CK-104X	CAPACITOR 0.1μF,16V
C2308		NCB30JK-105X	CAPACITOR 1μF,6.3V
C2402		NBE20JM-106X	T CAPACITOR 10μF,6.3V
C2403		NBE41AM-106X	T CAPACITOR 10μF,10V
C2404		NBE40JM-476X	T CAPACITOR 47μF,6.3V
C2603		NCB31CK-223X	CAPACITOR 0.022μF,16V
C2604		NCB31CK-223X	CAPACITOR 0.022μF,16V
C2605		NCB31CK-104X	CAPACITOR 0.1μF,16V
C2606		NCB31CK-104X	CAPACITOR 0.1μF,16V
C2607		NBE20JM-475X	T CAPACITOR 4.7μF,6.3V
C2608		NBE20JM-475X	T CAPACITOR 4.7μF,6.3V
C2609		NCB31CK-273X	CAPACITOR 0.027μF,16V
C2610		NCB31CK-273X	CAPACITOR 0.027μF,16V
C2613		NCB31CK-333X	CAPACITOR 0.033μF,16V
C2614		NCB31CK-333X	CAPACITOR 0.033μF,16V
C2615		NCBA1HK-332W	CAPACITOR 0.0033μF,50V
C2616		NCBA1HK-332W	CAPACITOR 0.0033μF,50V
C2619		NCBA1HK-152W	CAPACITOR 0.0015μF,50V
C2620		NCBA1HK-152W	CAPACITOR 0.0015μF,50V
C2621		NCBA1CK-103W	CAPACITOR 0.01μF,16V
C2622		NCBA1CK-103W	CAPACITOR 0.01μF,16V
C2623		NCB30JK-105X	CAPACITOR 1μF,6.3V
C2624		NCB30JK-105X	CAPACITOR 1μF,6.3V
C2625		NCB31CK-104X	CAPACITOR 0.1μF,16V
C2626		NCB31CK-104X	CAPACITOR 0.1μF,16V
C2627		NBE20GM-336X	T CAPACITOR 33μF,4.0V
C7001		NCBA1AK-104W	CAPACITOR 0.1μF,10V
C7002		NCB21CK-105X	CAPACITOR 1μF,16V
C7003		NCB21AK-225X	CAPACITOR,C,D,E 2.2μF,10V
C7004		NBE21AM-106X	T CAPACITOR,C,D,E 10μF,10V
C7005		NDCA1EJ-221W	CAPACITOR,A,B 220pF,25V
C7006		NCBA1AK-104W	CAPACITOR,A,B 0.1μF,10V
L2101		NQL402M-100X	COIL 10μH
L2402		NQL315K-220X	COIL 22μH
L2601		NRSA63J-0R0X	MG RESISTOR 0Ω,1/16W
L2602		NRSA63J-0R0X	MG RESISTOR 0Ω,1/16W
L2603		NRSA63J-0R0X	MG RESISTOR 0Ω,1/16W

#	△ REF No.	PART No.	PART NAME, DESCRIPTION
L7001		NQL04DK-100X	COIL,C,D,E 10μH
L7002		NQL04DK-100X	COIL 10μH
S2001		NSW0160-001X	TACT SWITCH,STOP/D.SOUND/SELECT
S2002		NSW0160-001X	TACT SWITCH,REW/FOCUS
S2003		NSW0160-001X	TACT SWITCH,FF/NIGHT
S2004		NSW0160-001X	TACT SWITCH,PLAY/PAUSE/BACKLIGHT
S2005		NSW0099-001X	SLIDE SWITCH,VIDEO/MEMORY
S2006		NSW0177-001X	PUSH SWITCH,VF SW
S2007		NSW0177-001X	PUSH SWITCH,OPEN/EJECT
CN801		QGB0406M1-60X	CONNECTOR
CN802		QGF0517F2-20X	FPC CONNECTOR
CN803		QGA1001F1-04X	CONNECTOR

B/W VF BOARD ASSEMBLY <09>,A,B

PW	PART No.	PART NAME, DESCRIPTION
	YB10382B-01	B/W VF BOARD ASSY
IC7001	MCVVQ111FB	IC
Q7001	PUMX1	PAIR TRANSISTOR
D7001	NSCW100A0/ST/-X	LE DIODE
D7002	MA111	DIODE
R7001	NRSA63J-103X	MG RESISTOR 10kΩ,1/16W
R7002	NRSA63J-182X	MG RESISTOR 1.8kΩ,1/16W
R7003	NRSA63J-183X	MG RESISTOR 18kΩ,1/16W
R7004	NRSA63J-0R0X	MG RESISTOR 0Ω,1/16W
R7006	NRVA63D-333X	CMF RESISTOR 33kΩ,1/16W
R7007	NRVA63D-153X	CMF RESISTOR 15kΩ,1/16W
R7008	NRVA63D-473X	CMF RESISTOR 47kΩ,1/16W
R7009	NRSA63J-682X	MG RESISTOR 6.8kΩ,1/16W
R7010	NRSA63J-102X	MG RESISTOR 1kΩ,1/16W
R7011	NRSA63J-332X	MG RESISTOR 3.3kΩ,1/16W
R7012	NRSA63J-561X	MG RESISTOR 560Ω,1/16W
R7013	NRSA63J-470X	MG RESISTOR 47Ω,1/16W
VR7001	NVP0016-223X	TRIM RESISTOR,GAIN
C7001	NCF31CZ-104X	CAPACITOR 0.1μF,16V
C7002	NCF31CZ-104X	CAPACITOR 0.1μF,16V
C7003	NCB21AK-105X	CAPACITOR 1μF,10V
C7004	NCB31EK-223X	CAPACITOR 0.022μF,25V
C7005	NCB31EK-103X	CAPACITOR 0.01μF,25V
C7006	NCF21CZ-105X	CAPACITOR 1μF,16V
C7007	NCF31CZ-104X	CAPACITOR 0.1μF,16V
C7008	NCF31CZ-104X	CAPACITOR 0.1μF,16V
C7009	NCF31CZ-104X	CAPACITOR 0.1μF,16V
C7010	NCF31CZ-104X	CAPACITOR 0.1μF,16V
C7011	NCB31HK-102X	CAPACITOR 0.001μF,50V
C7012	NCB31EK-103X	CAPACITOR 0.01μF,25V
C7013	NCF31CZ-104X	CAPACITOR 0.1μF,16V
C7014	NCF31CZ-104X	CAPACITOR 0.1μF,16V
C7015	NCB31EK-103X	CAPACITOR 0.01μF,25V
C7016	NCB11CK-475X	CAPACITOR 4.7μF,16V
C7017	NCB10JK-106X	CAPACITOR 10μF,6.3V
L7001	NQL38DK-100X	COIL 10μH
L7002	NQL38DK-100X	COIL 10μH
CN7001	QGF0517F2-20X	FPC CONNECTOR
CN7002	QGF0517F2-20X	FPC CONNECTOR
OT1	LY43893-001A	SPACER

REF No. PART No. PART NAME, DESCRIPTION

C.VF BOARD ASSEMBLY <10>,C,D,E

PW	YB10390A-01	C.VF BOARD ASSY	
Q7562	XP6501	TRANSISTOR	
D7560	NSCW100A0/ST/-X	LE DIODE	
R7560	NRVA63D-332X	CMF RESISTOR	3.3kΩ,1/16W
R7561	NRVA63D-561X	CMF RESISTOR	560Ω,1/16W
R7562	NRVA63D-470X	CMF RESISTOR	47Ω,1/16W
R7565	NRSA63J-333X	MG RESISTOR	33kΩ,1/16W
C7561	NCF31CZ-104X	CAPACITOR	0.1μF,16V
C7562	NCF31CZ-104X	CAPACITOR	0.1μF,16V
CN7001	QGF0517F2-20X	FPC CONNECTOR	
CN7002	QGF0517F1-16X	FPC CONNECTOR	

W/B BOARD ASSEMBLY <11>

PW2	YB10378A2	W/B BOARD ASSY	
Q1151	RPM-22PB	PHOTO TRANSISTOR	
R1151	NRSA63J-302X	MG RESISTOR	3kΩ,1/16W
C1151	NBE90JM-106X	T CAPACITOR	10μF,6.3V
C1152	NCR21EK-683X-R	CAPACITOR	0.068μF,25V
L1151	NQR0265-001X	FERRITE BEAD	
WR1	WJM0267-001A	E-SI C WIRE C-F,W/B-JACK CN503	

MONI SW BOARD ASSEMBLY <12>

PW3	YB10378A3	MONI SW BOARD ASSY	
S1901	NSW0177-001X	PUSH SWITCH,MONITOR SW	
WR1	WJM0268-001A	E-SI C WIRE C-F,MONI SW-JACK CN502	

MENU BOARD ASSEMBLY <13>

PW4	YB10378A4	MENU SW BOARD ASSY	
S501	NSW0078-001	ROTARY ENCODER,MENU/BRIGHT	
WR1	WJM0269-001A	E-SI C WIRE C-F,MENU-JACK CN504	

REF No. PART No. PART NAME, DESCRIPTION