

PARTS LIST

SAFETY PRECAUTION

Parts identified by the \triangle symbol are critical for safety. Replace only with specified part numbers.

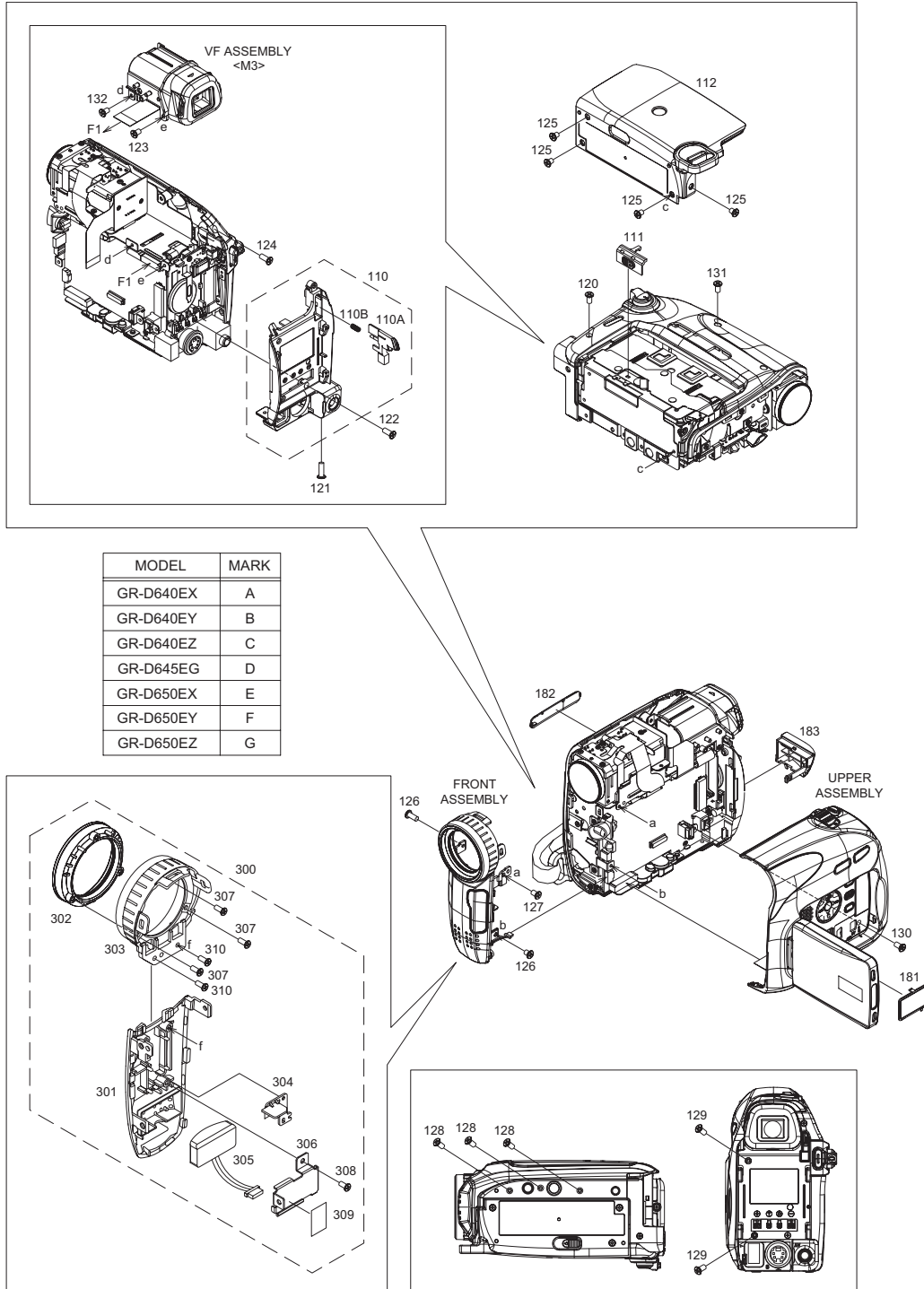
BEWARE OF BOGUS PARTS

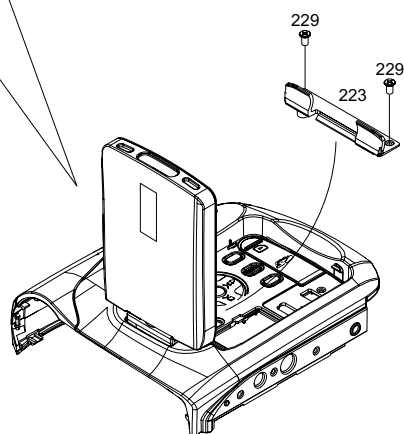
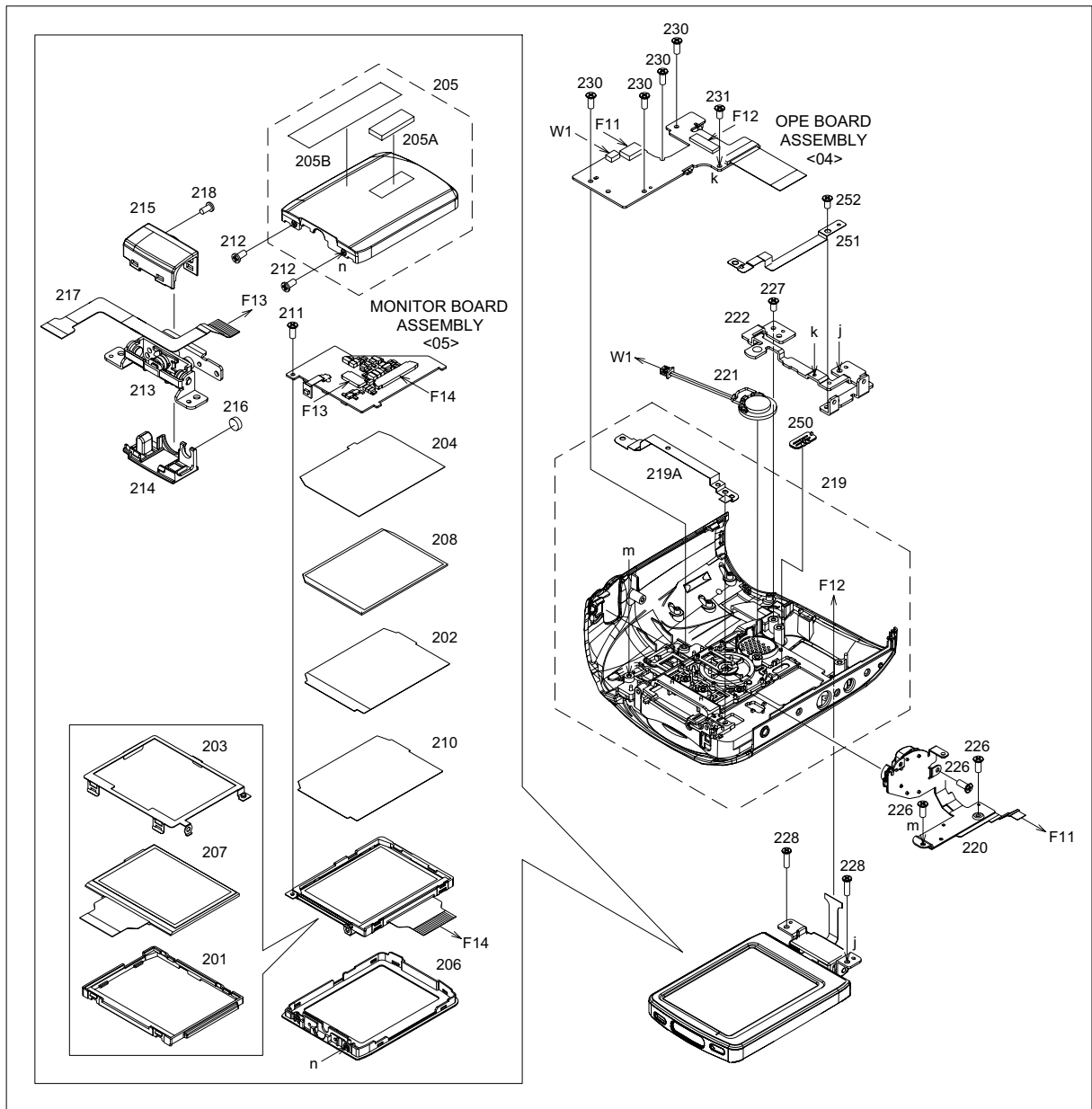
Parts that do not meet specifications may cause trouble in regard to safety and performance. We recommend that genuine JVC parts be used.

1. EXPLODED VIEW

1.1 FINAL ASSEMBLY<M1>

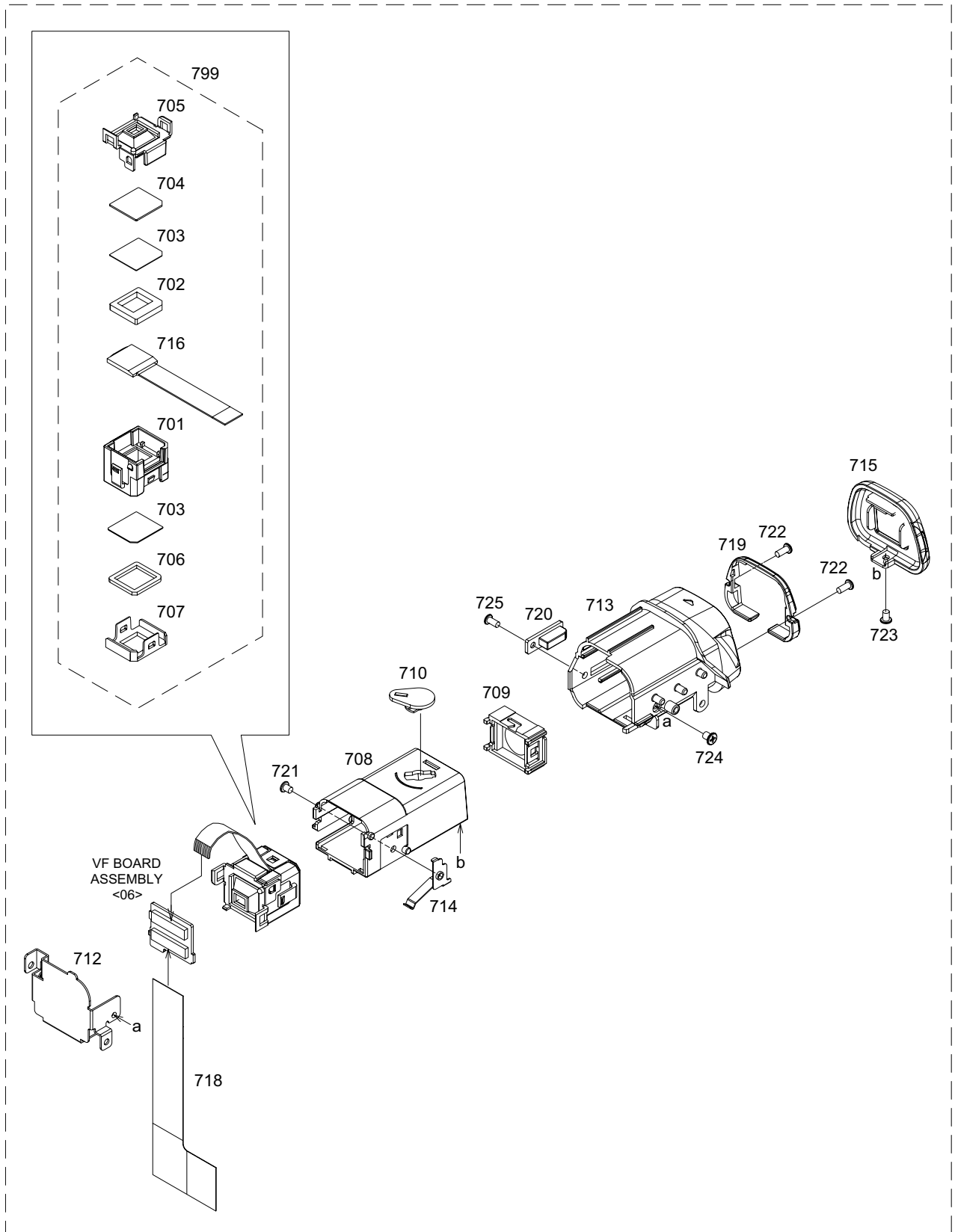
The instruction manual to be provided with this product will differ according to the destination.



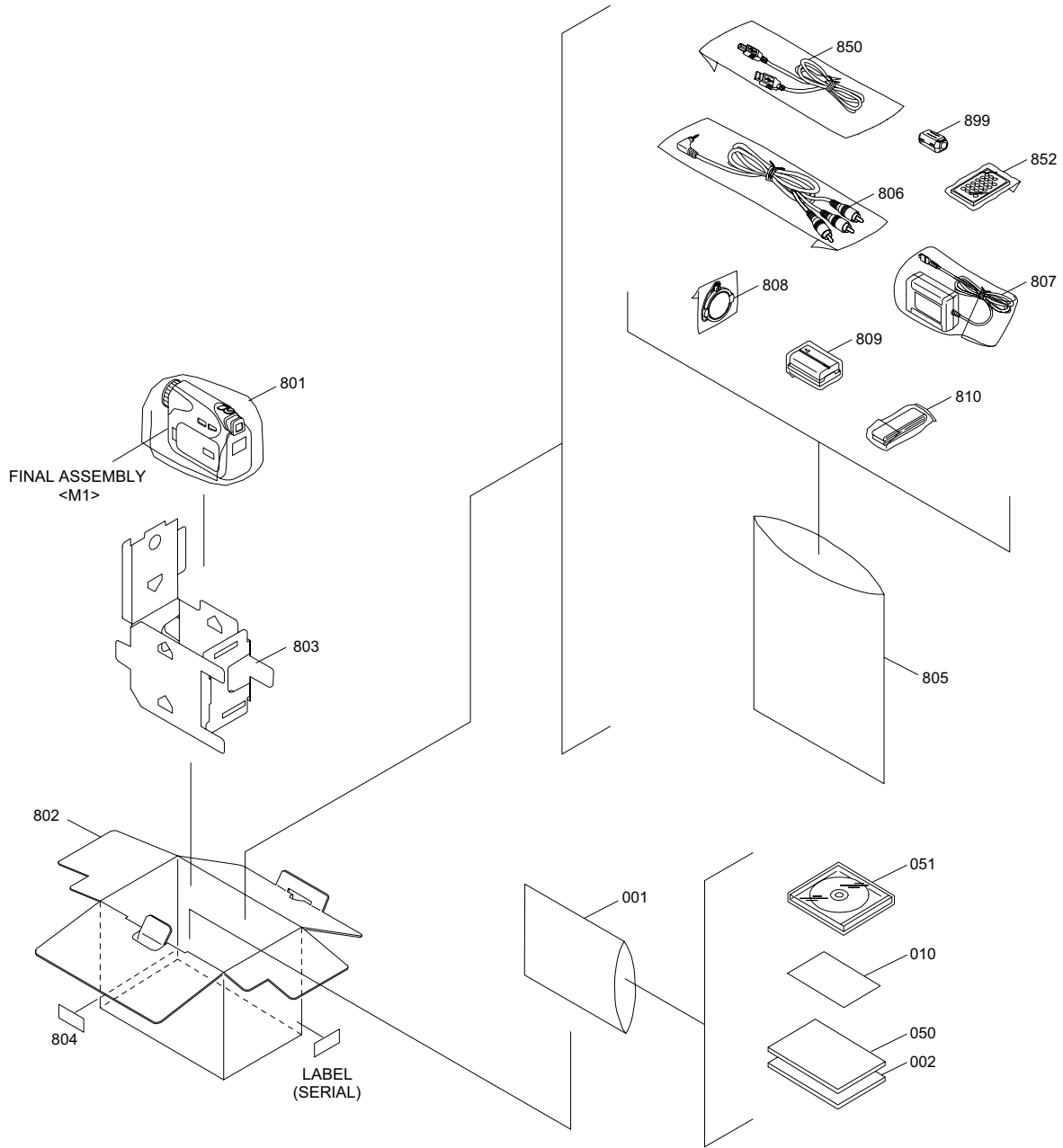


1.3 VF ASSEMBLY <M3>

700



1.4 PACKING AND ACCESSORY ASSEMBLY <M5>



MODEL	MARK	MODEL	MARK	MODEL	MARK
GR-D640EX	A	GR-D645EG	D	GR-D650EZ	G
GR-D640EY	B	GR-D650EX	E		
GR-D640EZ	C	GR-D650EY	F		

2. PARTS LIST

FINAL ASSEMBLY <M1>

△ Symbol No.	Part No.	Part Name	Description	Local
101	LY35130-001D	FRAME ASSY		
101A	LY45033-001B	BUSH	(x4)	
101B	LY35129-001B	TRIPOD (BASE)		
101C	LY30031-0D4A	SPECIAL SCREW	FRM-TRIP	
104	LY21444-002D	MAIN BKT ASSY		
104A	LY45170-001C	TENSION SPRING		
104B	LY30002-074A	COMPRESSION SPRING		
106	LY21459-001C	LOWER CASE		
107	LY21320-003A	GRIP BELT		
108	LY45121-001A	BKT (G.BELT)		
109	LY21431-001B	POWER UNIT		
△ 110	LY35115-002D	REAR COVER ASSY		
110A	LY35137-001A	KNOB (BATT.)		
110B	LY30002-068A	COMPRESSION SPRING		
111	LY35131-001A	KNOB (EJECT)		
112	LY21446-001E	CASS.COVER		
113	LY30032-002A	SPECIAL SCREW	FRM-MECHA(x4)	
114	LY30031-0K7A	SPECIAL SCREW	M.PWB-FRM	
116	LY30031-0H5A	SPECIAL SCREW	FRM-M.BKT(x3)	
117	LY30031-0K7A	SPECIAL SCREW	R.PWB-BKT	
118	LY30031-0L8B	SPECIAL SCREW	POWER UNIT(x3)	
119	LY30031-0H5A	SPECIAL SCREW	LOWER-MBKT(x2)	
120	LY30031-0A3A	SPECIAL SCREW	LOWER-REAR	
121	LY30031-0D4A	SPECIAL SCREW	REAR-M.BKT	
122	LY30031-0D5A	SPECIAL SCREW	REAR-M.BKT	
123	LY30031-0K7A	SPECIAL SCREW	VF-M.BKT	
124	LY30031-0A3A	SPECIAL SCREW	LOWER-VF	
125	LY30031-0H5A	SPECIAL SCREW	CASS.COVER(x4)	
126	LY30031-0D5A	SPECIAL SCREW	FRONT-MBKT(x2)	
127	LY30031-0H5A	SPECIAL SCREW	FRONT-MBKT	
128	LY30031-0D5A	SPECIAL SCREW	UPPER-TRI(x3)	
129	LY30031-0A3A	SPECIAL SCREW	REAR-UPPER(x2)	
130	LY30031-0K7A	SPECIAL SCREW	DV JACK	
131	LY30031-0D5A	SPECIAL SCREW	LOWER-ZOOM	
132	LY30031-0H5A	SPECIAL SCREW	VF-M.BKT	
133	LY30031-0H5A	SPECIAL SCREW	BKTOP-MBKT(x3)	
152	J4M-103B	OP BLOCK ASSY	SET030-290	
152A	LY34842-001A	ZOOM MOTOR		
152B	LY34841-001A	FOCUS MOTOR		
152C	LY34843-003A	IRIS MOTOR UNIT		
152D	QYSPSGU1440ZA	TAP SCREW	M1.4 x 4mm(x7)	
154	LY44653-001A	SHEET	SET010/011	
155	LY45183-001A	OPTICAL LPF	SET010/011	
156	QYSPSGT1750RA	TAP SCREW	SET010/011 M1.7 x 5mm(x2)	
157	LY35267-001A-ML	BKT(OP 1M)ASSY	JPN	
157A	LY35192-001A	CUSHION(OP MEGA)		
158	LY30031-011A	SPECIAL SCREW	(x3)	
159	LY35197-001A	BUSTERAID(CCD)	EMC	
160	LYH30676-001A	CCD BASAE ASSY		
181	LY35149-001C	COVER (JIG)		
182	LY35150-001A	COVER (ADJ)		
183	LY35138-001B	COVER (JACK)		
△ 200	UU06D206A	U.UNIT ASSY		
201	LY21452-001B	LCD CASE		
202	LY45123-001A	SHEET(M.DIFF)		
203	LY35160-001A	S.CASE (MONI)		
204	LY45125-001A	SHEET(M.REF)		
205	LY35206-001C	M.COVER ASSY		
205A	LY45126-001B	JVC MARK		
205B	LY45160-001A	POP STICKER		
206	LY21450-001D	MONITOR CASE		
207	QLD0357-001	LCD MODULE		
208	LY45124-001A	LIGHT GUIDE		
210	LY45152-001A	SHEET(BEF)		
211	LY30031-0K7A	SPECIAL SCREW	MONI.PWB	
212	LY30031-0K7A	SPECIAL SCREW	MONI.CASE(x2)	
213	LY35157-001C	HINGE ASSY		
214	LY35159-001B	H.COVER(L)		
215	LY35158-001B	H.COVER(U)		
216	LY42355-001A	P.C.MAGNET		
217	QAL0784-001	FPC	MONI-FPC	
218	LY30031-0A3A	SPECIAL SCREW	HINGE	
△ 219	LY21469-005D	U.CASE ASSY(1M)		
219A	LY35186-001B	SHEET(SHILD)		

△ Symbol No.	Part No.	Part Name	Description	Local
220	LY21495-001A	ZOOM UNIT		
221	QAS0284-002	SPEAKER		
222	LY35146-001A	BKT.(HINGE)		
223	LY35147-001B	COVER (HINGE)		
226	LY30031-003A	SPECIAL SCREW	ZOOM UNIT(x3)	
227	LY30031-003A	SPECIAL SCREW	BKT HINGE	
228	LY30031-054A	SPECIAL SCREW	MONI HINGE(x2)	
229	LY30031-0H5A	SPECIAL SCREW	CVR HINGE(x2)	
230	LY30031-003A	SPECIAL SCREW	OPEPWB-UPP(x4)	
231	LY30031-0H5A	SPECIAL SCREW	OPEPWB-BKT	
250	LY35148-001B	KNOB (SLIDE)		
251	LY35387-001A	EARTH PLATE		
252	LY30031-003A	SPECIAL SCREW	E.P-UPPER	
300	FU06D201A	F.UNIT ASSY	FOR JAPAN	
301	LY21460-001C	FRONT COVER(MEGA)		
302	LY34774-002A	HOOD(MEGA)		
303	LY35176-001C	COVER(HOOD)		
304	LY35134-001C	SENSOR HOLDER		
305	LY34598-001A	MIC		
306	LY35135-001A	PLATE (MIC)		
307	LY30031-002A	SPECIAL SCREW	HOOD SCREW(x3)	
308	LY30031-003A	SPECIAL SCREW	PLATE MIC	
309	LY30030-0D3A	SPACER(A)		
310	LY30031-003A	SPECIAL SCREW	COVER(HOOD)(x2)	

MECHANISM ASSEMBLY <M2>

△ Symbol No.	Part No.	Part Name	Description	Local
900	YMB0051E	MECHA(B)ASSY		
900A	YMA0051B	MECHA(A)ASSY		
901	LY10525-001F	MAIN DECK ASSY		
902	LY34335-001B	LOADING GEAR 1		
903	LY34338-001A	BELT GUIDE		
904	LY34229-001A	MINI SCREW	(x16)	
905	LY44973-001B	SLIDE COLLAR 1		
906	LY44974-001B	SLIDE COLLAR 2		
907	QSW1116-002	ROTARY ENCODER		
908	LY21263-001B	MAIN CAM		
909	LY34319-001A	CONNECT GEAR		
910	LY34320-001A	SUB CAM		
911	LY34321-001B	PRESS ARM ASSY		
912	LY21264-001C	GEAR COVER		
913	LY34315-001E	M.BRACKET ASSY		
914	LY34337-001A	CENTER GEAR		
915	LY34336-001A	REEL PULLEY		
916	QAR0338-002	CAPSTAN MOTOR		
917	LY21270-001A	T5 CATCHER		
918	LY21266-001G	GUIDE RAIL ASSY		
919	LY34325-001B	DRIVE ARM ASSY		
920	LY10530-001E	DRUM BASE		
921	LY34326-001E	T.C.PLATE ASSY		
922	LY21271-005A	SLIDE DECK ASSY		
923	LY34345-001A	P.R.ARM ASSY		
924	LY44764-001B	TEN.SPRING(PR)		
925	LY34348-001A	BRAKE PLATE		
926	LY34349-001D	REEL DISK ASSY		
927	LY34349-002B	REEL DISK ASSY		
928	LY34342-001A	GUIDE PLATE		
929	LY34340-001A	SLIDE GUIDE PLT		
930	LY34229-005A	MINI SCREW		
931	LY34358-001G	S1 ARM ASSY		
932	LY21273-001K	T.ARM ASSY		
933	LY43675-007A	MINI SCREW		
934	LY34355-001B	IDLER ARM ASSY		
935	LY34343-001B	T5 ARM ASSY		
936	LY34341-001B	CASSETTE GUIDE		
937	LY34365-001E	REEL COVER ASSY		
938	LY10531-001K	HOUSING ASSY		
939	LY44734-001B	COMP.SPRING		
940	LY34314-001A	G.ROLLER(S)ASSY		
941	LY45076-001A	TRUSTER SCREW		
982	YDV2104K-CX	DRUM ASSY	Y08539-02	
983	LY10599-001A	PROTECTOR		

MODEL	MARK	MODEL	MARK	MODEL	MARK
GR-D640EX	A	GR-D645EG	D	GR-D650EZ	G
GR-D640EY	B	GR-D650EX	E		
GR-D640EZ	C	GR-D650EY	F		

Symbol No.	Part No.	Part Name	Description	Local
984	LY34229-006A	MINI SCREW		
995	LY34229-010A	MINI SCREW		
996	LY34676-002A	MOTOR FPC ASSY		
997	LY34318-001A	WORM WHEEL		
998	LY44890-001A	LABEL(HOUSING)		
999	LY34229-006A	MINI SCREW	(x3)	

VF ASSEMBLY <M3>

Symbol No.	Part No.	Part Name	Description	Local
700	VU06D201A	V.UNIT ASSY	FOR JAPAN	
701	LY21442-001C	HOLDER (LCD)		
702	LY45116-001A	CUSHION (1)		
703	LY45118-001A	SHEET (POLA)	(x2)	
704	LY45119-001A	SHEET (DIFF.)		
705	LY35123-001B	CASE (B.LIGHT)		
706	LY45117-001A	CUSHION (2)		
707	LY35124-001A	STOPPER (POLA)		
708	LY21441-001E	CASE (VF)		
709	LY45114-001A	LENS ASSY		
710	LY35121-001B	LEVER (VF)		
712	LY35189-001A	BKT(COVER)VF		
713	LY21465-001B	COVER(SLIDE)VF		
714	LY35126-001C	CLICK PLATE		
715	LY35119-001C	EYE CUP		
716	QLD0363-001	LCD MODULE		
718	QAL0783-001	FPC	VF FPC	
719	LY35169-001D	COVER (EYE CUP)		
720	LY35168-001C	KNOB (SWITCH)		
721	LY30031-0H5A	SPECIAL SCREW		
722	LY30031-003A	SPECIAL SCREW	CVREYECUP(x2)	
723	LY30031-057A	SPECIAL SCREW	EYECUP	
724	LY30031-0H5A	SPECIAL SCREW	BKT.COVER	
725	LY30031-0K7A	SPECIAL SCREW	KNOB SW	
799	LY35122-001C	LCD UNIT ASSY		

PACKING AND ACCESSORY ASSEMBLY <M5>

Symbol No.	Part No.	Part Name	Description	Local
001	LY34452-001A	POLY BAG	DOCUMENT	
△ 002	LYT1579-002A	INST BOOK(GE.FR)	(GERMAN FRENCH)	A,E
△ 002	LYT1579-003A	INST BOOK(DU.SP)	(DUTCH SPANISH)	A,E
△ 002	LYT1579-004A	INST BOOK(IT.PT)	(ITALIAN PORTUGUESE)	A,E
△ 002	LYT1579-005A	INST BOOK(GE)	(GERMAN)	B,D,F
△ 002	LYT1579-006A	INST BOOK(DA.FI)	(DANISH FINN)	B,F
△ 002	LYT1579-007A	INST BOOK(SW.NO)	(SWEDISH NORWEGIAN)	B,F
△ 002	LYT1579-008A	INST BOOK(RU.CZ)	(RUSSIAN CZECH)	C,G
△ 002	LYT1579-009A	INST BOOK(PO.HU)	(POLISH HUNGARIAN)	C,G
010	-----	WARRANTY CARD	BT-54029-1CAM	
050	LYT1520-003A	INST BOOK(SOFT.EXLANG)	(SOFT.EXLANG)	A,E
050	LYT1520-004A	INST BOOK(SOFT.EYLANG)	(SOFT.EYLANG)	B,F
050	LYT1520-005A	INST BOOK(SOFT.EZLANG)	(SOFT.EZLANG)	C,G
050	LYT1520-015A	INST BOOK(SOFT.GE)	(SOFT.GERMAN)	D
051	LY35273-005A	CD ROM ASSY		
801	LY30023-003A	POLY BAG		
802	LY35151-020A	PACKING CASE	PRODUCTION	
803	LY35188-001A-ML	CUSHION	JPN	
804	LY45161-002A-ML	LABEL	JPN	
805	QPA02503505P	POLY BAG	ACC. 25cm x 35cm	
806	QAM0508-001	A/V CABLE		
△ 807	LY21343-001B	AC ADAPTER	AP-V17E	
808	LY34811-001B	HOOD CAP ASSY		
△ 809	LY34647-002B	BATTERY PACK	BN-VF707U	
810	LY21397-002A	SHOULDER STRAP		
850	QAM0719-001	USB CABLE	USB	
852	LY21503-002A	REMOTE CTL UNIT	RM-V740US	
899	QQR0491-002	FERRITE CORE	USB TDK (BLACK)	

MAIN BOARD ASSEMBLY <O1>

Symbol No.	Part No.	Part Name	Description	Local
PW1	LYA10078-06C	MAIN BOARD ASSY		A,B,C,D
PW1	LYA10078-05C	MAIN BOARD ASSY		E,F,G
IC1001	MN103S97NBF	IC(MICRO C ROM)		MASK
IC1001	or MN103SF66RBF	IC(MICRO C ROM)		FLASH
IC1002	MB90099PFV138EX	IC(MICRO C ROM)		OSD EX
IC1004	NJU7108F3-X	IC		
IC1004	or TC75S56FU-X	IC		
IC1005	BR25L640F-W-X	IC		EEP 64K
IC1006	RS5C314-X	IC		
IC1007	S-80823CNNB-G-W	IC		
IC1008	KSM-2003SN2E	IR DETECT UNIT		IRU
IC1601	BD6637KV	IC		MDA 64PIN
IC1701	BA10358FVM-W	IC		REELAMP5V
IC1702	BA2903FVM-W	IC		REELSMT
IC2201	AK4664VQ	IC		48P0.5
IC3001	JCY0220	IC		
IC3006	MM3142FN-X	IC		2.5V_REG
IC3501	JCY0132	IC		
IC3701	BH7612FV-X	IC		
IC3731	MM1504XN-X	IC		E,F,G
IC4201	HD49340HNP-X	IC		CDS/AD
IC4202	MM1613BN-X	IC		REG 3.1V
IC4901	JCY0223-X	IC		
IC5501	CXD3643R	IC		TG/V VRV
IC5502	MM1613DN-X	IC		3.3V REG
IC6001	FA7737F	IC		
IC8001	TMS320DSC24GHKL	IC		DSC24
IC8002	K4S643232H-UC60	IC		64MSDRAM
IC8003	MR27T3202L058LA	IC(MICRO C ROM)		MP P2ROM
IC8003	or SG32A90BFIR4C39	IC(MICRO C ROM)		AP FLASH
IC8801	TSB41AB1ZQE-X	IC		
Q1001	DTA114EE-X	DIGI TRANSISTOR		
Q1001	or BCR183T-X	DIGI TRANSISTOR		
Q1001	or KRA302E-X	DIGI TRANSISTOR		
Q1001	or RT1P141U-X	DIGI TRANSISTOR		
Q1001	or PDTA114EE-X	DIGI TRANSISTOR		
Q1002	DTA143XE-X	DIGI TRANSISTOR		
Q1003	DTA143XE-X	DIGI TRANSISTOR		
Q1004	DTC143XE-X	DIGI TRANSISTOR		
Q1005	DTC143XE-X	DIGI TRANSISTOR		
Q1005	or UN921FJ-X	DIGI TRANSISTOR		
Q1005	or KRC419E-X	DIGI TRANSISTOR		
Q1005	or RT1N432U-X	DIGI TRANSISTOR		
Q1006	2SC4617/QR/-X	TRANSISTOR		
Q1006	or BC847BT-X	TRANSISTOR		
Q1006	or 2SD2216J/QR/-X	TRANSISTOR		
Q1006	or 2SC5383/E/-X	TRANSISTOR		
Q1006	or 2SC4738/YG/-X	TRANSISTOR		
Q1007	DTC124EE-X	DIGI TRANSISTOR		
Q1007	or BCR141T-X	DIGI TRANSISTOR		
Q1007	or KRC403E-X	DIGI TRANSISTOR		
Q1007	or RT1N241U-X	DIGI TRANSISTOR		
Q1007	or PDTA114EE-X	DIGI TRANSISTOR		
Q1008	UMZ1N-W	PAIR TRANSISTOR		
Q1008	or PUMZ1-W	PAIR TRANSISTOR		
Q1008	or XP4601-W	TRANSISTOR		
Q1601	UMC3N-W	DIGI TRANSISTOR		LD ON
Q2403	2SC4617/QR/-X	TRANSISTOR		
Q2403	or BC847BT-X	TRANSISTOR		
Q2403	or 2SD2216J/QR/-X	TRANSISTOR		
Q2403	or 2SC5383/E/-X	TRANSISTOR		
Q2403	or 2SC4738/YG/-X	TRANSISTOR		
Q3702	UMZ1N-W	PAIR TRANSISTOR		
Q3702	or PUMZ1-W	PAIR TRANSISTOR		
Q3702	or XP4601-W	TRANSISTOR		
Q3703	DTC114EE-X	DIGI TRANSISTOR		E,F,G
Q3704	DTC114EE-X	DIGI TRANSISTOR		E,F,G
Q3731	2SC5658/QRS/-X	TRANSISTOR		E,F,G
Q3734	2SC5658/QRS/-X	TRANSISTOR		E,F,G
Q3735	2SA2029/QRS/-X	TRANSISTOR		E,F,G
Q3736	DTC144EE-X	DIGI TRANSISTOR		E,F,G
Q3737	EMX1-W	TRANSISTOR		E,F,G
Q3738	EMZ1-W	PAIR TRANSISTOR		E,F,G
Q3739	UMZ1N-W	PAIR TRANSISTOR		E,F,G

MODEL	MARK	MODEL	MARK	MODEL	MARK
GR-D640EX	A	GR-D645EG	D	GR-D650EZ	G
GR-D640EY	B	GR-D650EX	E		
GR-D640EZ	C	GR-D650EY	F		

△ Symbol No.	Part No.	Part Name	Description	Local	△ Symbol No.	Part No.	Part Name	Description	Local
Q3739	or PUMZ1-W	PAIR TRANSISTOR		E,F,G	D6505	or 1SS352-X	SI DIODE		
Q3739	or XP4601-W	TRANSISTOR		E,F,G	D6506	1SS355-X	SI DIODE		
Q4901	RPM-22PB	PHOTO TRANSISTOR	WB SENSER		D6506	or MA111-X	SI DIODE		
Q6101	US5U29-W	MOS FET			D6506	or 1SS352-X	SI DIODE		
Q6103	FDN360P-X	MOS FET			D6507	UDZS8.2B-X	Z DIODE		
Q6201	US5U29-W	MOS FET			D6701	RB160M-30-X	SB DIODE		
Q6301	US5U29-W	MOS FET			D6702	RB160M-30-X	SB DIODE		
Q6401	US5U29-W	MOS FET			D6801	RB551V-30-X	SB DIODE		
Q6501	FDN360P-X	MOS FET			D6801	or KDR412-X	SB DIODE		
Q6505	2SA1774/QR/-X	TRANSISTOR			D8801	RB551V-30-X	SB DIODE		
Q6505	or BC857BT-X	TRANSISTOR			D8801	or KDR412-X	SB DIODE		
Q6505	or 2SA1989/QR/-X	TRANSISTOR			C1001	NDCA1HJ-7R0W	C CAPACITOR	7pF 50V J	
Q6701	FDN360P-X	MOS FET			C1002	NDCA1HJ-7R0W	C CAPACITOR	7pF 50V J	
Q6702	FDN360P-X	MOS FET			C1003	NDCA1HJ-7R0W	C CAPACITOR	7pF 50V J	
Q6703	FDN360P-X	MOS FET			C1004	NBE20JM-226X	TA E CAPACITOR	22uF 6.3V M	
Q7701	PUMX1-W	PAIR TRANSISTOR			C1005	NCBA1AK-104W	C CAPACITOR	0.1uF 10V K	
Q7701	or BC847S-X	PAIR TRANSISTOR			C1006	NCBA1AK-104W	C CAPACITOR	0.1uF 10V K	
Q7701	or KTC801U/G/-X	PAIR TRANSISTOR			C1007	NCB30JK-105X	C CAPACITOR	1uF 6.3V K	
Q7701	or RT3CLLM/EF/-X	PAIR TRANSISTOR			C1008	NBE20JM-226X	TA E CAPACITOR	22uF 6.3V M	
Q7701	or UMX1N-W	PAIR TRANSISTOR			C1009	NCBA1CK-103W	C CAPACITOR	0.01uF 16V K	
Q7702	PUMX1-W	PAIR TRANSISTOR			C1010	NBE20JM-106X	TA E CAPACITOR	10uF 6.3V M	
Q7702	or BC847S-X	PAIR TRANSISTOR			C1013	NCBA1CK-103W	C CAPACITOR	0.01uF 16V K	
Q7702	or KTC801U/G/-X	PAIR TRANSISTOR			C1018	NCB30JK-105X	C CAPACITOR	1uF 6.3V K	
Q7702	or RT3CLLM/EF/-X	PAIR TRANSISTOR			C1023	NCBA1EK-682W	C CAPACITOR	6800pF 25V K	
Q7702	or UMX1N-W	PAIR TRANSISTOR			C1024	NCBA1EK-682W	C CAPACITOR	6800pF 25V K	
Q7703	PUMX1-W	PAIR TRANSISTOR			C1025	NCBA1CK-103W	C CAPACITOR	0.01uF 16V K	
Q7703	or BC847S-X	PAIR TRANSISTOR			C1029	NCBA1AK-104W	C CAPACITOR	0.1uF 10V K	
Q7703	or KTC801U/G/-X	PAIR TRANSISTOR			C1031	NCBA1AK-104W	C CAPACITOR	0.1uF 10V K	
Q7703	or RT3CLLM/EF/-X	PAIR TRANSISTOR			C1032	NCBA1AK-104W	C CAPACITOR	0.1uF 10V K	
Q7703	or UMX1N-W	PAIR TRANSISTOR			C1033	NCBA1AK-104W	C CAPACITOR	0.1uF 10V K	
Q7704	UMD3N-W	DIGI TRANSISTOR			C1035	NCBA1AK-104W	C CAPACITOR	0.1uF 10V K	
Q7704	or XP4311-W	TRANSISTOR			C1036	NCBA1AK-104W	C CAPACITOR	0.1uF 10V K	
Q7704	or RT3T11M-X	DIGI TRANSISTOR			C1038	NCBA1AK-104W	C CAPACITOR	0.1uF 10V K	
Q7704	or KRX201U-X	DIGI TRANSISTOR			C1039	NCBA1AK-104W	C CAPACITOR	0.1uF 10V K	
Q7801	PUMX1-W	PAIR TRANSISTOR			C1040	NCBA1AK-104W	C CAPACITOR	0.1uF 10V K	
Q7801	or BC847S-X	PAIR TRANSISTOR			C1043	NCBA1CK-103W	C CAPACITOR	0.01uF 16V K	
Q7801	or KTC801U/G/-X	PAIR TRANSISTOR			C1044	NCBA1CK-103W	C CAPACITOR	0.01uF 16V K	
Q7801	or RT3CLLM/EF/-X	PAIR TRANSISTOR			C1046	NCBA1CK-103W	C CAPACITOR	0.01uF 16V K	
Q7801	or UMX1N-W	PAIR TRANSISTOR			C1049	NCBA1AK-104W	C CAPACITOR	0.1uF 10V K	
Q7802	PUMX1-W	PAIR TRANSISTOR			C1051	NCBA1CK-223W	C CAPACITOR	0.022uF 16V K	
Q7802	or BC847S-X	PAIR TRANSISTOR			C1052	NCBA1CK-223W	C CAPACITOR	0.022uF 16V K	
Q7802	or KTC801U/G/-X	PAIR TRANSISTOR			C1053	NCBA1CK-223W	C CAPACITOR	0.022uF 16V K	
Q7802	or RT3CLLM/EF/-X	PAIR TRANSISTOR			C1054	NCBA1CK-223W	C CAPACITOR	0.022uF 16V K	
Q7802	or UMX1N-W	PAIR TRANSISTOR			C1055	NCB30JK-105X	C CAPACITOR	1uF 6.3V K	
Q7803	PUMX1-W	PAIR TRANSISTOR			C1056	NCBA1AK-104W	C CAPACITOR	0.1uF 10V K	
Q7803	or BC847S-X	PAIR TRANSISTOR			C1601	NCBA1CK-103W	C CAPACITOR	0.01uF 16V K	
Q7803	or KTC801U/G/-X	PAIR TRANSISTOR			C1602	NBE20JM-106X	TA E CAPACITOR	10uF 6.3V M	
Q7803	or RT3CLLM/EF/-X	PAIR TRANSISTOR			C1603	NBE20JM-106X	TA E CAPACITOR	10uF 6.3V M	
Q7803	or UMX1N-W	PAIR TRANSISTOR			C1605	NCBA1AK-104W	C CAPACITOR	0.1uF 10V K	
Q7808	UMD3N-W	DIGI TRANSISTOR			C1606	NCBA1HK-152W	C CAPACITOR	1500pF 50V K	
Q7808	or XP4311-W	TRANSISTOR			C1607	NCBA1CK-473W	C CAPACITOR	0.047uF 16V K	
Q7808	or RT3T11M-X	DIGI TRANSISTOR			C1614	NBE21AM-106X	TA E CAPACITOR	10uF 10V M	
Q7808	or KRX201U-X	DIGI TRANSISTOR			C1618	NCBA1HK-222W	C CAPACITOR	2200pF 50V K	
Q8002	BCR183T-X	DIGI TRANSISTOR			C1619	NCBA1HK-222W	C CAPACITOR	2200pF 50V K	
Q8002	or DTA114EE-X	DIGI TRANSISTOR			C1620	NCBA1HK-222W	C CAPACITOR	2200pF 50V K	
Q8002	or KRA302E-X	DIGI TRANSISTOR			C1621	NCB30JK-105X	C CAPACITOR	1uF 6.3V K	
Q8002	or RT1P141U-X	DIGI TRANSISTOR			C1622	NCBA1CK-223W	C CAPACITOR	0.022uF 16V K	
Q8002	or PDTA114EE-X	DIGI TRANSISTOR			C1623	NCBA1CK-473W	C CAPACITOR	0.047uF 16V K	
D1001	DA221-X	DIODE ARRAY			C1624	NCBA1CK-103W	C CAPACITOR	0.01uF 16V K	
D1001	or MA133-X	SI DIODE			C1625	NDCA1HJ-101W	C CAPACITOR	100pF 50V J	
D1001	or KDS221E-X	SI DIODE			C1626	NCBA1EK-472W	C CAPACITOR	4700pF 25V K	
D1003	NSPW500CS/C0TU/	LED			C1627	NCBA1EK-472W	C CAPACITOR	4700pF 25V K	
D1603	DAP222-X	DIODE ARRAY	LD ON		C1628	NCB31CK-224X	C CAPACITOR	0.22uF 16V K	
D1603	or MA132WA-X	SI DIODE			C1629	NCB21EK-224X	C CAPACITOR	0.22uF 25V K	
D3001	EC2C01C-TR-X	VARI CAP DIODE			C1630	NCB21EK-224X	C CAPACITOR	0.22uF 25V K	
D3002	EC2C01C-TR-X	VARI CAP DIODE		E,F,G	C1631	NBE20JM-106X	TA E CAPACITOR	10uF 6.3V M	
D5501	1SS355-X	SI DIODE			C1632	NCB21CK-474X	C CAPACITOR	0.47uF 16V K	
D5501	or MA111-X	SI DIODE			C1633	NCB30JK-474X	C CAPACITOR	0.47uF 6.3V K	
△ D6001	RB715W-X	SB DIODE			C1637	NBE20JM-106X	TA E CAPACITOR	10uF 6.3V M	
D6503	1SS355-X	SI DIODE			C1702	NCBA1AK-104W	C CAPACITOR	0.1uF 10V K	
D6503	or MA111-X	SI DIODE			C2202	NCB30JK-105X	C CAPACITOR	1uF 6.3V K	
D6503	or 1SS352-X	SI DIODE			C2203	NCB30JK-105X	C CAPACITOR	1uF 6.3V K	
D6504	1SS355-X	SI DIODE			C2204	NCB30JK-105X	C CAPACITOR	1uF 6.3V K	
D6504	or MA111-X	SI DIODE			C2205	NCB30JK-105X	C CAPACITOR	1uF 6.3V K	
D6504	or 1SS352-X	SI DIODE			C2209	NCB30JK-105X	C CAPACITOR	1uF 6.3V K	
D6505	1SS355-X	SI DIODE			C2210	NCB30JK-105X	C CAPACITOR	1uF 6.3V K	
D6505	or MA111-X	SI DIODE			C2213	NCBA1AK-104W	C CAPACITOR	0.1uF 10V K	

MODEL	MARK	MODEL	MARK	MODEL	MARK
GR-D640EX	A	GR-D645EG	D	GR-D650EZ	G
GR-D640EY	B	GR-D650EX	E		
GR-D640EZ	C	GR-D650EY	F		

△ Symbol No.	Part No.	Part Name	Description	Local
C2214	NCBA1AK-104W	C CAPACITOR	0.1uF 10V K	
C2217	NCBA1AK-104W	C CAPACITOR	0.1uF 10V K	
C2218	NCBA1AK-104W	C CAPACITOR	0.1uF 10V K	
C2223	NCBA1AK-104W	C CAPACITOR	0.1uF 10V K	
C2224	NCBA1AK-104W	C CAPACITOR	0.1uF 10V K	
C2402	NCJ20JK-106X-D	C CAPACITOR	10uF 6.3V K	
C2403	NCJ20JK-106X-D	C CAPACITOR	10uF 6.3V K	
C2404	NBE20JM-106X	TA E CAPACITOR	10uF 6.3V M	
C2405	NCBA1AK-104W	C CAPACITOR	0.1uF 10V K	
C2406	NCJ20JK-106X-D	C CAPACITOR	10uF 6.3V K	
C2407	NCJ20JK-106X-D	C CAPACITOR	10uF 6.3V K	
C2603	NCBA1CK-223W	C CAPACITOR	0.022uF 16V K	
C2604	NCBA1CK-223W	C CAPACITOR	0.022uF 16V K	
C2605	NCBA1EK-472W	C CAPACITOR	4700pF 25V K	
C2606	NCBA1EK-472W	C CAPACITOR	4700pF 25V K	
C2611	NCB30JK-105X	C CAPACITOR	1uF 6.3V K	
C2612	NCB30JK-105X	C CAPACITOR	1uF 6.3V K	
C2613	NCB30JK-105X	C CAPACITOR	1uF 6.3V K	
C2623	NDCA1HJ-100W	C CAPACITOR	10pF 50V J	
C2624	NDCA1HJ-100W	C CAPACITOR	10pF 50V J	
C2655	NCBA1CK-103W	C CAPACITOR	0.01uF 16V K	
C2656	NCBA1CK-103W	C CAPACITOR	0.01uF 16V K	
C3001	NBE20JM-106X	TA E CAPACITOR	10uF 6.3V M	
C3002	NCB30JK-105X	C CAPACITOR	1uF 6.3V K	
C3003	NBE20JM-106X	TA E CAPACITOR	10uF 6.3V M	
C3004	NCB30JK-105X	C CAPACITOR	1uF 6.3V K	
C3005	NBE20JM-106X	TA E CAPACITOR	10uF 6.3V M	
C3006	NCB30JK-105X	C CAPACITOR	1uF 6.3V K	
C3007	NBE20JM-106X	TA E CAPACITOR	10uF 6.3V M	
C3008	NCB30JK-105X	C CAPACITOR	1uF 6.3V K	
C3009	NBE20JM-106X	TA E CAPACITOR	10uF 6.3V M	
C3010	NCB30JK-105X	C CAPACITOR	1uF 6.3V K	
C3011	NBE20JM-106X	TA E CAPACITOR	10uF 6.3V M	
C3012	NCBA1AK-104W	C CAPACITOR	0.1uF 10V K	
C3024	NCB31CK-224X	C CAPACITOR	0.22uF 16V K	
C3027	NCBA1AK-104W	C CAPACITOR	0.1uF 10V K	
C3028	NCBA1AK-104W	C CAPACITOR	0.1uF 10V K	
C3029	NCBA1AK-104W	C CAPACITOR	0.1uF 10V K	
C3030	NCBA1AK-104W	C CAPACITOR	0.1uF 10V K	
C3031	NCBA1AK-104W	C CAPACITOR	0.1uF 10V K	
C3034	NCB30JK-105X	C CAPACITOR	1uF 6.3V K	
C3035	NCBA1CK-103W	C CAPACITOR	0.01uF 16V K	
C3036	NDCA1HJ-560W	C CAPACITOR	56pF 50V J	
C3037	NCBA1AK-104W	C CAPACITOR	0.1uF 10V K	
C3039	NCBA1HK-102W	C CAPACITOR	1000pF 50V K	
C3040	NCBA1AK-104W	C CAPACITOR	0.1uF 10V K	E,F,G
C3042	NCBA1HK-102W	C CAPACITOR	1000pF 50V K	E,F,G
C3043	NDCA1HJ-560W	C CAPACITOR	56pF 50V J	E,F,G
C3044	NCBA1CK-103W	C CAPACITOR	0.01uF 16V K	
C3045	NCBA1HK-471W	C CAPACITOR	470pF 50V K	
C3046	NCBA1AK-104W	C CAPACITOR	0.1uF 10V K	
C3047	NCBA1AK-104W	C CAPACITOR	0.1uF 10V K	
C3048	NCBA1AK-104W	C CAPACITOR	0.1uF 10V K	
C3055	NCBA1AK-104W	C CAPACITOR	0.1uF 10V K	
C3056	NCBA1AK-104W	C CAPACITOR	0.1uF 10V K	
C3057	NCBA1AK-104W	C CAPACITOR	0.1uF 10V K	
C3065	NCBA1CK-103W	C CAPACITOR	0.01uF 16V K	
C3067	NCBA1AK-104W	C CAPACITOR	0.1uF 10V K	
C3071	NRSA6AJ-0R0W	MG RESISTOR	0Q1/16W J	
C3079	NCB30JK-105X	C CAPACITOR	1uF 6.3V K	
C3080	NCB30JK-105X	C CAPACITOR	1uF 6.3V K	
C3084	NCBA1AK-104W	C CAPACITOR	0.1uF 10V K	
C3085	NCBA1AK-104W	C CAPACITOR	0.1uF 10V K	
C3088	NCBA1AK-104W	C CAPACITOR	0.1uF 10V K	
C3089	NCBA1AK-104W	C CAPACITOR	0.1uF 10V K	
C3090	NCBA1AK-104W	C CAPACITOR	0.1uF 10V K	
C3091	NCBA1AK-104W	C CAPACITOR	0.1uF 10V K	
C3092	NCBA1AK-104W	C CAPACITOR	0.1uF 10V K	
C3093	NCBA1AK-104W	C CAPACITOR	0.1uF 10V K	
C3094	NCBA1AK-104W	C CAPACITOR	0.1uF 10V K	
C3095	NCBA1AK-104W	C CAPACITOR	0.1uF 10V K	
C3096	NCBA1AK-104W	C CAPACITOR	0.1uF 10V K	
C3097	NCBA1AK-104W	C CAPACITOR	0.1uF 10V K	
C3098	NCBA1AK-104W	C CAPACITOR	0.1uF 10V K	
C3099	NCBA1AK-104W	C CAPACITOR	0.1uF 10V K	
C3101	NCBA1AK-104W	C CAPACITOR	0.1uF 10V K	
C3102	NCBA1AK-104W	C CAPACITOR	0.1uF 10V K	
C3127	NDCA1HJ-470W	C CAPACITOR	47pF 50V J	

△ Symbol No.	Part No.	Part Name	Description	Local
C3128	NDCA1HJ-470W	C CAPACITOR	47pF 50V J	
C3504	NCBA1CK-473W	C CAPACITOR	0.047uF 16V K	
C3505	NCBA1CK-223W	C CAPACITOR	0.022uF 16V K	
C3506	NCB30JK-105X	C CAPACITOR	1uF 6.3V K	
C3507	NCBA1CK-103W	C CAPACITOR	0.01uF 16V K	
C3508	NCBA1CK-103W	C CAPACITOR	0.01uF 16V K	
C3509	NCJ20JK-106X-D	C CAPACITOR	10uF 6.3V K	
C3510	NCB30JK-105X	C CAPACITOR	1uF 6.3V K	
C3511	NCBA1CK-103W	C CAPACITOR	0.01uF 16V K	
C3512	NCBA1AK-104W	C CAPACITOR	0.1uF 10V K	
C3513	NCJ20JK-106X-D	C CAPACITOR	10uF 6.3V K	
C3514	NCBA1CK-473W	C CAPACITOR	0.047uF 16V K	
C3515	NCBA1CK-473W	C CAPACITOR	0.047uF 16V K	
C3516	NCBA1CK-473W	C CAPACITOR	0.047uF 16V K	
C3517	NCBA1CK-103W	C CAPACITOR	0.01uF 16V K	
C3518	NCBA1CK-103W	C CAPACITOR	0.01uF 16V K	
C3519	NCBA1HK-102W	C CAPACITOR	1000pF 50V K	
C3520	NCBA1CK-103W	C CAPACITOR	0.01uF 16V K	
C3521	NCBA1AK-104W	C CAPACITOR	0.1uF 10V K	
C3522	NCB20JM-475X	C CAPACITOR	4.7uF 6.3V M	
C3523	NCBA1CK-103W	C CAPACITOR	0.01uF 16V K	
C3524	NCBA1CK-103W	C CAPACITOR	0.01uF 16V K	
C3525	NCB20JM-475X	C CAPACITOR	4.7uF 6.3V M	
C3526	NCBA1CK-103W	C CAPACITOR	0.01uF 16V K	
C3527	NDCA1EJ-221W	C CAPACITOR	220pF 25V J	
C3701	NBE20JM-106X	TA E CAPACITOR	10uF 6.3V M	
C3706	NCBA1AK-104W	C CAPACITOR	0.1uF 10V K	
C3707	NCBA1CK-103W	C CAPACITOR	0.01uF 16V K	
C3708	NBE20GM-226X	TA E CAPACITOR	22uF 4V M	
C3709	NBE20GM-226X	TA E CAPACITOR	22uF 4V M	
C3710	NBE20GM-107X	TA E CAPACITOR	100uF 4V M	
C3711	NBE20GM-107X	TA E CAPACITOR	100uF 4V M	
C3712	NCBA1CK-103W	C CAPACITOR	0.01uF 16V K	
C3714	NCB30JK-105X	C CAPACITOR	1uF 6.3V K	
C3731	NCBA1CK-103W	C CAPACITOR	0.01uF 16V K	E,F,G
C3732	NCBA1HK-102W	C CAPACITOR	1000pF 50V K	E,F,G
C3733	NDCA1HJ-3R0W	C CAPACITOR	3pF 50V J	E,F,G
C3734	NDCA1HJ-5R0W	C CAPACITOR	5pF 50V J	E,F,G
C3735	NDCA1HJ-330W	C CAPACITOR	33pF 50V J	E,F,G
C3736	NCBA1HK-102W	C CAPACITOR	1000pF 50V K	E,F,G
C3738	NCBA1CK-103W	C CAPACITOR	0.01uF 16V K	E,F,G
C3739	NCBA1CK-103W	C CAPACITOR	0.01uF 16V K	E,F,G
C3740	NCB30JK-105X	C CAPACITOR	1uF 6.3V K	E,F,G
C3741	NCB30JK-105X	C CAPACITOR	1uF 6.3V K	E,F,G
C3742	NCBA1AK-104W	C CAPACITOR	0.1uF 10V K	E,F,G
C3743	NDCA1HJ-3R0W	C CAPACITOR	3pF 50V J	E,F,G
C3744	NDCA1HJ-5R0W	C CAPACITOR	5pF 50V J	E,F,G
C3745	NDCA1HJ-330W	C CAPACITOR	33pF 50V J	E,F,G
C3746	NCB20JM-475X	C CAPACITOR	4.7uF 6.3V M	E,F,G
C3747	NCBA1CK-103W	C CAPACITOR	0.01uF 16V K	E,F,G
C3751	NCBA1AK-104W	C CAPACITOR	0.1uF 10V K	E,F,G
C4201	NCBA1AK-104W	C CAPACITOR	0.1uF 10V K	
C4202	NCB21CK-105X	C CAPACITOR	1uF 16V K	
C4203	NCBA1CK-123W	C CAPACITOR	0.012uF 16V K	
C4204	NCBA1AK-104W	C CAPACITOR	0.1uF 10V K	
C4205	NCBA1AK-104W	C CAPACITOR	0.1uF 10V K	
C4206	NCJA0JK-105W-A	C CAPACITOR	1uF 6.3V K	
C4207	NCBA1AK-104W	C CAPACITOR	0.1uF 10V K	
C4208	NCJA0JK-105W-A	C CAPACITOR	1uF 6.3V K	
C4209	NCJA0JK-105W-A	C CAPACITOR	1uF 6.3V K	
C4210	NCJA0JK-105W-A	C CAPACITOR	1uF 6.3V K	
C4211	NCBA1AK-104W	C CAPACITOR	0.1uF 10V K	
C4212	NCBA1AK-104W	C CAPACITOR	0.1uF 10V K	
C4213	NCBA1AK-104W	C CAPACITOR	0.1uF 10V K	
C4214	NCBA1AK-104W	C CAPACITOR	0.1uF 10V K	
C4215	NBE90GM-336X	TA E CAPACITOR	33uF 4V M	
C4216	NCBA1AK-104W	C CAPACITOR	0.1uF 10V K	
C4217	NBE20GM-476X	TA E CAPACITOR	47uF 4V M	
C4218	NCBA1AK-104W	C CAPACITOR	0.1uF 10V K	
C4219	NCB30JK-105X	C CAPACITOR	1uF 6.3V K	
C4220	NCB30JK-105X	C CAPACITOR	1uF 6.3V K	
C4902	NBZ0015-106X	TA E CAPACITOR	10uF 6.3V M	
C4903	NBZ0015-106X	TA E CAPACITOR	10uF 6.3V M	
C4905	NCFA1AZ-104W	C CAPACITOR	0.1uF 10V Z	
C4906	NCFA1AZ-104W	C CAPACITOR	0.1uF 10V Z	
C4907	NCBA1AK-104W	C CAPACITOR	0.1uF 10V K	
C4908	NCFA1AZ-104W	C CAPACITOR	0.1uF 10V Z	
C4909	NCBA1CK-103W	C CAPACITOR	0.01uF 16V K	

MODEL	MARK	MODEL	MARK	MODEL	MARK
GR-D640EX	A	GR-D645EG	D	GR-D650EZ	G
GR-D640EY	B	GR-D650EX	E		
GR-D640EZ	C	GR-D650EY	F		

△ Symbol No.	Part No.	Part Name	Description	Local	△ Symbol No.	Part No.	Part Name	Description	Local
C4911	NDCA1HJ-101W	C CAPACITOR	100pF 50V J		C7703	NCB31AK-105X	C CAPACITOR	1uF 10V K	
C4912	NCFA1AZ-104W	C CAPACITOR	0.1uF 10V Z		C7801	NCB31AK-105X	C CAPACITOR	1uF 10V K	
C4913	NCFA1AZ-104W	C CAPACITOR	0.1uF 10V Z		C7802	NCB21AK-225X	C CAPACITOR	2.2uF 10V K	
C4914	NDCA1HJ-680W	C CAPACITOR	68pF 50V J		C7803	NCB21AK-225X	C CAPACITOR	2.2uF 10V K	
C4915	NDCA1HJ-121W	C CAPACITOR	120pF 50V J		C7804	NCB21AK-225X	C CAPACITOR	2.2uF 10V K	
C4916	NCBA1AK-104W	C CAPACITOR	0.1uF 10V K		C7806	NCB21CK-105X	C CAPACITOR	1uF 16V K	
C4917	NCB31AK-224X	C CAPACITOR	0.22uF 10V K		C7807	NCB31AK-105X	C CAPACITOR	1uF 10V K	
C4922	NCFA1AZ-104W	C CAPACITOR	0.1uF 10V Z		C7809	NCB11CK-475X	C CAPACITOR	4.7uF 16V K	
C4932	NBE21AM-106X	TA E CAPACITOR	10uF 10V M		C7811	NCB31CK-104X	C CAPACITOR	0.1uF 16V K	
C4935	NBE20JM-106X	TA E CAPACITOR	10uF 6.3V M		C8001	NBE20JM-106X	TA E CAPACITOR	10uF 6.3V M	
C5501	NCBA1AK-104W	C CAPACITOR	0.1uF 10V K		C8002	NBE20JM-106X	TA E CAPACITOR	10uF 6.3V M	
C5502	NCBA1AK-104W	C CAPACITOR	0.1uF 10V K		C8003	NCBA1AK-104W	C CAPACITOR	0.1uF 10V K	
C5503	NCBA1AK-104W	C CAPACITOR	0.1uF 10V K		C8004	NCBA1AK-104W	C CAPACITOR	0.1uF 10V K	
C5504	NCBA1AK-104W	C CAPACITOR	0.1uF 10V K		C8005	NCBA1AK-104W	C CAPACITOR	0.1uF 10V K	
C5505	NCBA1AK-104W	C CAPACITOR	0.1uF 10V K		C8006	NCBA1AK-104W	C CAPACITOR	0.1uF 10V K	
C5506	NCBA1AK-104W	C CAPACITOR	0.1uF 10V K		C8007	NCBA1AK-104W	C CAPACITOR	0.1uF 10V K	
C5507	NCBA1AK-104W	C CAPACITOR	0.1uF 10V K		C8008	NCBA1AK-104W	C CAPACITOR	0.1uF 10V K	
C5508	NBP21VM-105X	TA E CAPACITOR	1uF 35V M		C8009	NCBA1AK-104W	C CAPACITOR	0.1uF 10V K	
C5509	NCBA1AK-104W	C CAPACITOR	0.1uF 10V K		C8010	NCBA1AK-104W	C CAPACITOR	0.1uF 10V K	
C5510	NCB30JK-105X	C CAPACITOR	1uF 6.3V K		C8011	NBE20JM-106X	TA E CAPACITOR	10uF 6.3V M	
C5511	NCBA1AK-104W	C CAPACITOR	0.1uF 10V K		C8012	NCBA1AK-104W	C CAPACITOR	0.1uF 10V K	
C5512	NCB30JK-105X	C CAPACITOR	1uF 6.3V K		C8013	NCBA1AK-104W	C CAPACITOR	0.1uF 10V K	
C5513	NBE90JM-226X	TA E CAPACITOR	22uF 6.3V M		C8018	NCBA1AK-104W	C CAPACITOR	0.1uF 10V K	
C5514	NCBA1AK-104W	C CAPACITOR	0.1uF 10V K		C8021	NCBA1CK-103W	C CAPACITOR	0.01uF 16V K	
C5515	NBE20GM-476X	TA E CAPACITOR	47uF 4V M		C8022	NBE20JM-106X	TA E CAPACITOR	10uF 6.3V M	
C5516	NCBA1AK-104W	C CAPACITOR	0.1uF 10V K		C8023	NCBA1AK-104W	C CAPACITOR	0.1uF 10V K	
C5517	NBP21CM-106X	TA E CAPACITOR	10uF 16V M		C8024	NCBA1AK-104W	C CAPACITOR	0.1uF 10V K	
C5518	NBP21CM-106X	TA E CAPACITOR	10uF 16V M		C8025	NBE20JM-106X	TA E CAPACITOR	10uF 6.3V M	
C5519	NCBA1AK-104W	C CAPACITOR	0.1uF 10V K		C8026	NCBA1AK-104W	C CAPACITOR	0.1uF 10V K	
C5520	NCBA1AK-104W	C CAPACITOR	0.1uF 10V K		C8027	NCBA1AK-104W	C CAPACITOR	0.1uF 10V K	
C5521	NBZ0003-475X	TA E CAPACITOR	4.7uF 20V M		C8030	NBE20JM-106X	TA E CAPACITOR	10uF 6.3V M	
C5522	NCBA1AK-104W	C CAPACITOR	0.1uF 10V K		C8032	NCB30JK-105X	C CAPACITOR	1uF 6.3V K	
C5523	NBZ0003-475X	TA E CAPACITOR	4.7uF 20V M		C8034	NCB30JK-105X	C CAPACITOR	1uF 6.3V K	
C5524	NCBA1AK-104W	C CAPACITOR	0.1uF 10V K		C8801	NCB20JM-475X	C CAPACITOR	4.7uF 6.3V M	
C6005	NCB21CK-105X	C CAPACITOR	1uF 16V K		C8802	NBE20JM-106X	TA E CAPACITOR	10uF 6.3V M	
C6006	NCBA1AK-104W	C CAPACITOR	0.1uF 10V K		C8803	NCBA1AK-104W	C CAPACITOR	0.1uF 10V K	
C6007	NCBA1AK-104W	C CAPACITOR	0.1uF 10V K		C8804	NCBA1AK-104W	C CAPACITOR	0.1uF 10V K	
C6008	NCB21CK-105X	C CAPACITOR	1uF 16V K		C8805	NCB30JK-105X	C CAPACITOR	1uF 6.3V K	
C6009	NCB31AK-224X	C CAPACITOR	0.22uF 10V K		C8806	NDCA1EJ-221W	C CAPACITOR	220pF 25V J	
C6010	NCB30JK-105X	C CAPACITOR	1uF 6.3V K		C8807	NCBA1AK-104W	C CAPACITOR	0.1uF 10V K	
C6011	NCB21CK-105X	C CAPACITOR	1uF 16V K		C8808	NCBA1CK-103W	C CAPACITOR	0.01uF 16V K	
C6101	NCB21CK-105X	C CAPACITOR	1uF 16V K		C8809	NCBA1CK-103W	C CAPACITOR	0.01uF 16V K	
C6102	NCJ20JK-106X-D	C CAPACITOR	10uF 6.3V K		C8810	NCBA1CK-103W	C CAPACITOR	0.01uF 16V K	
C6103	NCBA1HK-221W	C CAPACITOR	220pF 50V K		C8811	NCBA1AK-104W	C CAPACITOR	0.1uF 10V K	
C6104	NCBA1HK-681W	C CAPACITOR	680pF 50V K		R1001	NRSA6AJ-105W	MG RESISTOR	1MΩ1/16W J	
C6105	NCBA1CK-103W	C CAPACITOR	0.01uF 16V K		R1002	NRSA6AJ-470W	MG RESISTOR	47Ω1/16W J	
C6106	NCB30JK-105X	C CAPACITOR	1uF 6.3V K		R1003	NRSA6AJ-104W	MG RESISTOR	100kΩ1/16W J	
C6107	NCBA1CK-223W	C CAPACITOR	0.022uF 16V K		R1006	NRSA6AJ-104W	MG RESISTOR	100kΩ1/16W J	
C6202	NCJ20JK-106X-D	C CAPACITOR	10uF 6.3V K		R1007	NRSA6AJ-222W	MG RESISTOR	2.2kΩ1/16W J	
C6203	NCBA1HK-681W	C CAPACITOR	680pF 50V K		R1008	NRSA6AJ-473W	MG RESISTOR	47kΩ1/16W J	
C6204	NCBA1HK-221W	C CAPACITOR	220pF 50V K		R1009	NRSA6AJ-823W	MG RESISTOR	82kΩ1/16W J	
C6301	NCB21CK-105X	C CAPACITOR	1uF 16V K		R1010	NRSA6AJ-623W	MG RESISTOR	62kΩ1/16W J	
C6302	NCB21CK-105X	C CAPACITOR	1uF 16V K		R1011	NRSA6AJ-103W	MG RESISTOR	10kΩ1/16W J	
C6303	NCBA1AK-683W	C CAPACITOR	0.068uF 10V K		R1012	NRSA6AJ-104W	MG RESISTOR	100kΩ1/16W J	
C6305	NCBA1AK-104W	C CAPACITOR	0.1uF 10V K		R1013	NRSA6AJ-104W	MG RESISTOR	100kΩ1/16W J	
C6402	NCB21CK-105X	C CAPACITOR	1uF 16V K		R1014	NRSA6AJ-105W	MG RESISTOR	1MΩ1/16W J	
C6403	NCB30JK-105X	C CAPACITOR	1uF 6.3V K		R1015	NRSA6AJ-104W	MG RESISTOR	100kΩ1/16W J	
C6405	NCBA1CK-103W	C CAPACITOR	0.01uF 16V K		R1016	NRSA6AJ-753W	MG RESISTOR	75kΩ1/16W J	
C6501	NCB21CK-105X	C CAPACITOR	1uF 16V K		R1017	NRSA6AJ-334W	MG RESISTOR	330kΩ1/16W J	
C6502	NCB21CK-105X	C CAPACITOR	1uF 16V K		R1018	NRSA6AJ-332W	MG RESISTOR	3.3kΩ1/16W J	
C6503	NCB21CK-105X	C CAPACITOR	1uF 16V K		R1019	NRSA6AJ-332W	MG RESISTOR	3.3kΩ1/16W J	
C6505	NCB21CK-105X	C CAPACITOR	1uF 16V K		R1020	NRSA6AJ-332W	MG RESISTOR	3.3kΩ1/16W J	
C6506	NCB21CK-105X	C CAPACITOR	1uF 16V K		R1021	NRSA6AJ-473W	MG RESISTOR	47kΩ1/16W J	
C6509	NCBA1AK-333W	C CAPACITOR	0.033uF 10V K		R1022	NRSA6AJ-104W	MG RESISTOR	100kΩ1/16W J	
C6510	NCBA1CK-473W	C CAPACITOR	0.047uF 16V K		R1023	NRSA6AJ-473W	MG RESISTOR	47kΩ1/16W J	
C6511	NCBA1AK-104W	C CAPACITOR	0.1uF 10V K		R1024	NRSA6AJ-102W	MG RESISTOR	1kΩ1/16W J	
C6512	NCB31CK-104X	C CAPACITOR	0.1uF 16V K		R1026	NRSA6AJ-273W	MG RESISTOR	27kΩ1/16W J	
C6701	NCB31CK-105X	C CAPACITOR	1uF 16V K		R1027	NRSA6AJ-104W	MG RESISTOR	100kΩ1/16W J	
C6702	NCB41CK-106X	C CAPACITOR	10uF 16V K		R1028	NRSA6AJ-104W	MG RESISTOR	100kΩ1/16W J	
C6704	NCBA1EK-472W	C CAPACITOR	4700pF 25V K		R1029	NRSA6AJ-104W	MG RESISTOR	100kΩ1/16W J	
C6705	NCBA1CK-103W	C CAPACITOR	0.01uF 16V K		R1030	NRSA6AJ-104W	MG RESISTOR	100kΩ1/16W J	
C6706	NCBA1HK-221W	C CAPACITOR	220pF 50V K		R1031	NRSA6AJ-473W	MG RESISTOR	47kΩ1/16W J	
C6707	NCBA1HK-821W	C CAPACITOR	820pF 50V K		R1032	NRSA6AJ-102W	MG RESISTOR	1kΩ1/16W J	
C6802	NCJ20JK-106X-D	C CAPACITOR	10uF 6.3V K		R1033	NRSA6AJ-102W	MG RESISTOR	1kΩ1/16W J	
C6803	NCBA1HK-102W	C CAPACITOR	1000pF 50V K		R1034	NRSA6AJ-104W	MG RESISTOR	100kΩ1/16W J	E,F,G
C6804	NCBA1HK-392W	C CAPACITOR	3900pF 50V K		R1035	NRSA6AJ-104W	MG RESISTOR	100kΩ1/16W J	A,B,C,D
C7701	NCB11CK-225X-A	C CAPACITOR	2.2uF 16V K		R1036	NRSA6AJ-561W	MG RESISTOR	560Ω1/16W J	
C7702	NCB31CK-104X	C CAPACITOR	0.1uF 16V K						

MODEL	MARK	MODEL	MARK	MODEL	MARK
GR-D640EX	A	GR-D645EG	D	GR-D650EZ	G
GR-D640EY	B	GR-D650EX	E		
GR-D640EZ	C	GR-D650EY	F		

△ Symbol No.	Part No.	Part Name	Description	Local
R1038	NRSA6AJ-102W	MG RESISTOR	1kΩ/16W J	
R1040	NRSA6AJ-102W	MG RESISTOR	1kΩ/16W J	
R1041	NRSA6AJ-152W	MG RESISTOR	1.5kΩ/16W J	
R1042	NRSA6AJ-104W	MG RESISTOR	100kΩ/16W J	
R1043	NRSA6AJ-104W	MG RESISTOR	100kΩ/16W J	
R1044	NRSA6AJ-104W	MG RESISTOR	100kΩ/16W J	
R1045	NRSA6AJ-472W	MG RESISTOR	4.7kΩ/16W J	
R1046	NRSA6AJ-103W	MG RESISTOR	10kΩ/16W J	
R1047	NRSA6AJ-154W	MG RESISTOR	150kΩ/16W J	
R1048	NRSA6AJ-272W	MG RESISTOR	2.7kΩ/16W J	
R1049	NRSA6AJ-183W	MG RESISTOR	18kΩ/16W J	
R1050	NRSA6AJ-473W	MG RESISTOR	47kΩ/16W J	
R1051	NRSA6AJ-822W	MG RESISTOR	8.2kΩ/16W J	
R1052	NRSA6AJ-123W	MG RESISTOR	12kΩ/16W J	
R1053	NRSA6AJ-473W	MG RESISTOR	47kΩ/16W J	
R1054	NRSA6AJ-393W	MG RESISTOR	39kΩ/16W J	
R1055	NRSA6AJ-102W	MG RESISTOR	1kΩ/16W J	
R1056	NRSA6AJ-223W	MG RESISTOR	22kΩ/16W J	
R1057	NRSA6AJ-104W	MG RESISTOR	100kΩ/16W J	
R1058	NRSA6AJ-103W	MG RESISTOR	10kΩ/16W J	
R1059	NRSA6AJ-103W	MG RESISTOR	10kΩ/16W J	
R1060	NRSA6AJ-103W	MG RESISTOR	10kΩ/16W J	
R1061	NRSA6AJ-103W	MG RESISTOR	10kΩ/16W J	
R1062	NRSA6AJ-332W	MG RESISTOR	3.3kΩ/16W J	
R1063	NRSA6AJ-332W	MG RESISTOR	3.3kΩ/16W J	
R1064	NRSA6AJ-332W	MG RESISTOR	3.3kΩ/16W J	
R1065	NRSA6AJ-332W	MG RESISTOR	3.3kΩ/16W J	
R1066	NRSA6AJ-104W	MG RESISTOR	100kΩ/16W J	
R1067	NRSA6AJ-473W	MG RESISTOR	47kΩ/16W J	
R1068	NRSA6AJ-473W	MG RESISTOR	47kΩ/16W J	
R1069	NRSA6AJ-102W	MG RESISTOR	1kΩ/16W J	
R1070	NRSA6AJ-102W	MG RESISTOR	1kΩ/16W J	
R1071	NRSA6AJ-102W	MG RESISTOR	1kΩ/16W J	
R1074	NRSA6AJ-102W	MG RESISTOR	1kΩ/16W J	
R1075	NRSA6AJ-102W	MG RESISTOR	1kΩ/16W J	
R1076	NRSA6AJ-102W	MG RESISTOR	1kΩ/16W J	
R1077	NRSA6AJ-103W	MG RESISTOR	10kΩ/16W J	
R1078	NRSA6AJ-103W	MG RESISTOR	10kΩ/16W J	
R1079	NRSA6AJ-103W	MG RESISTOR	10kΩ/16W J	
R1080	NRSA6AJ-104W	MG RESISTOR	100kΩ/16W J	
R1081	NRSA6AJ-330W	MG RESISTOR	33Ω/16W J	
R1082	NRSA6AJ-104W	MG RESISTOR	100kΩ/16W J	
R1083	NRSA6AJ-102W	MG RESISTOR	1kΩ/16W J	
R1084	NRSA6AJ-102W	MG RESISTOR	1kΩ/16W J	
R1085	NRSA6AJ-104W	MG RESISTOR	100kΩ/16W J	
R1086	NRSA6AJ-104W	MG RESISTOR	100kΩ/16W J	
R1087	NRSA6AJ-102W	MG RESISTOR	1kΩ/16W J	
R1088	NRSA6AJ-102W	MG RESISTOR	1kΩ/16W J	
R1091	NRSA6AJ-182W	MG RESISTOR	1.8kΩ/16W J	
R1092	NRSA6AJ-391W	MG RESISTOR	390Ω/16W J	
R1093	NRSA6AJ-152W	MG RESISTOR	1.5kΩ/16W J	
R1094	NRSA6AJ-220W	MG RESISTOR	22Ω/16W J	
R1095	NRSA6AJ-104W	MG RESISTOR	100kΩ/16W J	E,F,G
R1096	NRSA6AJ-104W	MG RESISTOR	100kΩ/16W J	A,B,C,D
R1601	NRSA6AJ-681W	MG RESISTOR	680Ω/16W J	
R1602	NRSA6AJ-124W	MG RESISTOR	120kΩ/16W J	
R1603	NRSA6AJ-472W	MG RESISTOR	4.7kΩ/16W J	
R1604	NRSA6AJ-104W	MG RESISTOR	100kΩ/16W J	
R1610	NRSA6AJ-271W	MG RESISTOR	270Ω/16W J	
R1611	NRSA6AJ-271W	MG RESISTOR	270Ω/16W J	
R1612	NRSA6AJ-683W	MG RESISTOR	68kΩ/16W J	
R1613	NRSA6AJ-102W	MG RESISTOR	1kΩ/16W J	
R1614	NRZ0072-R330X	MG RESISTOR	0.33Ω/4W F	
R1616	NRVA6AD-392W	CMF RESISTOR	3.9kΩ/16W D	
R1617	NRZ0072-R330X	MG RESISTOR	0.33Ω/4W F	
R1620	NRSA6AJ-683W	MG RESISTOR	68kΩ/16W J	
R1621	NRSA6AJ-103W	MG RESISTOR	10kΩ/16W J	
R1622	NRSA6AJ-103W	MG RESISTOR	10kΩ/16W J	
R1624	NRVA6AD-183W	CMF RESISTOR	18kΩ/16W D	
R1625	NRVA6AD-681W	CMF RESISTOR	680Ω/16W D	
R1629	NRSA6AJ-564W	MG RESISTOR	560kΩ/16W J	
R1635	NRSA6AJ-332W	MG RESISTOR	3.3kΩ/16W J	
R1636	NRSA6AJ-123W	MG RESISTOR	12kΩ/16W J	
R1637	NRSA6AJ-154W	MG RESISTOR	150kΩ/16W J	
R1701	NRSA6AJ-823W	MG RESISTOR	82kΩ/16W J	
R1702	NRSA6AJ-222W	MG RESISTOR	2.2kΩ/16W J	
R1703	NRSA6AJ-222W	MG RESISTOR	2.2kΩ/16W J	
R1704	NRSA6AJ-222W	MG RESISTOR	2.2kΩ/16W J	

△ Symbol No.	Part No.	Part Name	Description	Local
R1705	NRSA6AJ-222W	MG RESISTOR	2.2kΩ/16W J	
R1706	NRSA6AJ-823W	MG RESISTOR	82kΩ/16W J	
R1707	NRSA6AJ-103W	MG RESISTOR	10kΩ/16W J	
R1708	NRSA6AJ-124W	MG RESISTOR	120kΩ/16W J	
R1709	NRSA6AJ-103W	MG RESISTOR	10kΩ/16W J	
R1710	NRSA6AJ-124W	MG RESISTOR	120kΩ/16W J	
R1711	NRSA6AJ-102W	MG RESISTOR	1kΩ/16W J	
R1712	NRSA6AJ-102W	MG RESISTOR	1kΩ/16W J	
R2202	NRSA6AJ-564W	MG RESISTOR	560kΩ/16W J	
R2203	NRSA6AJ-393W	MG RESISTOR	39kΩ/16W J	
R2204	NRSA6AJ-154W	MG RESISTOR	150kΩ/16W J	
R2206	NRSA6AJ-563W	MG RESISTOR	56kΩ/16W J	
R2207	NRSA6AJ-563W	MG RESISTOR	56kΩ/16W J	
R2208	NRSA6AJ-223W	MG RESISTOR	22kΩ/16W J	
R2209	NRSA6AJ-223W	MG RESISTOR	22kΩ/16W J	
R2210	NRSA6AJ-821W	MG RESISTOR	820Ω/16W J	
R2211	NRSA6AJ-821W	MG RESISTOR	820Ω/16W J	
R2212	NRSA6AJ-2R7W	MG RESISTOR	2.7Ω/16W J	
R2213	NRSA6AJ-2R7W	MG RESISTOR	2.7Ω/16W J	
R2217	NRSA6AJ-100W	MG RESISTOR	10Ω/16W J	
R2402	NRSA6AJ-472W	MG RESISTOR	4.7kΩ/16W J	
R2403	NRSA6AJ-183W	MG RESISTOR	18kΩ/16W J	
R2407	NRSA6AJ-100W	MG RESISTOR	10Ω/16W J	
R2601	NRSA6AJ-222W	MG RESISTOR	2.2kΩ/16W J	
R2602	NRSA6AJ-222W	MG RESISTOR	2.2kΩ/16W J	
R2607	NRSA6AJ-222W	MG RESISTOR	2.2kΩ/16W J	
R2608	NRSA6AJ-222W	MG RESISTOR	2.2kΩ/16W J	
R2609	NRSA6AJ-223W	MG RESISTOR	22kΩ/16W J	
R2610	NRSA6AJ-223W	MG RESISTOR	22kΩ/16W J	
R3005	NRSA6AJ-224W	MG RESISTOR	220kΩ/16W J	
R3006	NRSA6AJ-224W	MG RESISTOR	220kΩ/16W J	E,F,G
R3007	NRSA6AJ-473W	MG RESISTOR	47kΩ/16W J	
R3008	NRSA6AJ-101W	MG RESISTOR	100Ω/16W J	
R3009	NRSA6AJ-473W	MG RESISTOR	47kΩ/16W J	
R3011	NRSA6AJ-822W	MG RESISTOR	8.2kΩ/16W J	
R3012	NRSA6AJ-0R0W	MG RESISTOR	0Ω/16W J	
R3014	NRSA6AJ-152W	MG RESISTOR	1.5kΩ/16W J	
R3016	NRSA6AJ-822W	MG RESISTOR	8.2kΩ/16W J	
R3017	NRSA6AJ-121W	MG RESISTOR	120Ω/16W J	
R3018	NRSA6AJ-822W	MG RESISTOR	8.2kΩ/16W J	
R3022	NRSA6AJ-0R0W	MG RESISTOR	0Ω/16W J	
R3028	NRSA6AJ-331W	MG RESISTOR	330Ω/16W J	
R3029	NRSA6AJ-332W	MG RESISTOR	3.3kΩ/16W J	
R3031	NRSA6AJ-103W	MG RESISTOR	10kΩ/16W J	
R3041	NRSA6AJ-103W	MG RESISTOR	10kΩ/16W J	E,F,G
R3043	NRSA6AJ-331W	MG RESISTOR	330Ω/16W J	
R3044	NRSA6AJ-332W	MG RESISTOR	3.3kΩ/16W J	
R3051	NRSA6AJ-0R0W	MG RESISTOR	0Ω/16W J	A,B,C,D
R3060	NRSA6AD-911W	MG RESISTOR	910Ω/16W D	
R3061	NRSA6AD-911W	MG RESISTOR	910Ω/16W D	
R3062	NRSA6AD-911W	MG RESISTOR	910Ω/16W D	
R3063	NRSA6AD-822W	MG RESISTOR	8.2kΩ/16W D	
R3064	NRSA6AD-153W	MG RESISTOR	15kΩ/16W D	
R3065	NRSA6AD-273W	MG RESISTOR	27kΩ/16W D	
R3066	NRSA6AD-911W	MG RESISTOR	910Ω/16W D	
R3067	NRSA6AD-822W	MG RESISTOR	8.2kΩ/16W D	
R3068	NRSA6AD-911W	MG RESISTOR	910Ω/16W D	
R3069	NRSA6AD-911W	MG RESISTOR	910Ω/16W D	
R3071	NRSA6AD-681W	MG RESISTOR	680Ω/16W D	
R3072	NRSA6AD-822W	MG RESISTOR	8.2kΩ/16W D	
R3073	NRSA6AD-681W	MG RESISTOR	680Ω/16W D	
R3081	NRSA6AJ-0R0W	MG RESISTOR	0Ω/16W J	
R3083	NRSA6AJ-102W	MG RESISTOR	1kΩ/16W J	
R3089	NRSA6AJ-222W	MG RESISTOR	2.2kΩ/16W J	
R3115	NRSA6AJ-101W	MG RESISTOR	100Ω/16W J	
R3121	NRSA6AJ-0R0W	MG RESISTOR	0Ω/16W J	
R3126	NRSA6AJ-0R0W	MG RESISTOR	0Ω/16W J	
R3128	NRSA6AJ-470W	MG RESISTOR	47Ω/16W J	
R3156	NRSA6AJ-0R0W	MG RESISTOR	0Ω/16W J	
R3157	NRSA6AJ-0R0W	MG RESISTOR	0Ω/16W J	
R3158	NRSA6AJ-0R0W	MG RESISTOR	0Ω/16W J	
R3159	NRSA6AJ-101W	MG RESISTOR	100Ω/16W J	
R3160	NRSA6AJ-102W	MG RESISTOR	1kΩ/16W J	
R3161	NRSA6AJ-102W	MG RESISTOR	1kΩ/16W J	
R3162	NRSA6AJ-102W	MG RESISTOR	1kΩ/16W J	
R3163	NRSA6AJ-102W	MG RESISTOR	1kΩ/16W J	
R3164	NRSA6AJ-102W	MG RESISTOR	1kΩ/16W J	
R3165	NRSA6AJ-102W	MG RESISTOR	1kΩ/16W J	

MODEL	MARK	MODEL	MARK	MODEL	MARK
GR-D640EX	A	GR-D645EG	D	GR-D650EZ	G
GR-D640EY	B	GR-D650EX	E		
GR-D640EZ	C	GR-D650EY	F		

△ Symbol No.	Part No.	Part Name	Description	Local	△ Symbol No.	Part No.	Part Name	Description	Local
R3166	NRSA6AJ-102W	MG RESISTOR	1kΩ1/16W J		R5506	NRSA6AJ-100W	MG RESISTOR	10Ω1/16W J	
R3167	NRSA6AJ-102W	MG RESISTOR	1kΩ1/16W J		R5507	NRSA6AJ-100W	MG RESISTOR	10Ω1/16W J	
R3168	NRSA6AJ-681W	MG RESISTOR	680Ω1/16W J		R5508	NRSA6AJ-100W	MG RESISTOR	10Ω1/16W J	
R3169	NRSA6AJ-681W	MG RESISTOR	680Ω1/16W J		R5509	NRSA6AJ-104W	MG RESISTOR	100kΩ1/16W J	
R3172	NRSA6AJ-101W	MG RESISTOR	100Ω1/16W J		R5510	NRSA6AJ-100W	MG RESISTOR	10Ω1/16W J	
R3501	NRSA6AJ-471W	MG RESISTOR	470Ω1/16W J		R5511	NRSA6AJ-100W	MG RESISTOR	10Ω1/16W J	
R3502	NRSA6AJ-104W	MG RESISTOR	100kΩ1/16W J		R5512	NRSA6AJ-100W	MG RESISTOR	10Ω1/16W J	
R3503	NRSA6AJ-102W	MG RESISTOR	1kΩ1/16W J		R5513	NRSA6AJ-0R0W	MG RESISTOR	0Ω1/16W J	
R3504	NRSA6AD-241W	MG RESISTOR	240Ω1/16W D		R5514	NRSA6AJ-0R0W	MG RESISTOR	0Ω1/16W J	
R3505	NRSA6AD-241W	MG RESISTOR	240Ω1/16W D		R5515	NRSA6AJ-0R0W	MG RESISTOR	0Ω1/16W J	
R3506	NRSA6AD-241W	MG RESISTOR	240Ω1/16W D		R6001	NRSA6AJ-102W	MG RESISTOR	1kΩ1/16W J	
R3507	NRSA6AD-241W	MG RESISTOR	240Ω1/16W D		R6005	NRVA6AD-303W	CMF RESISTOR	30kΩ1/16W D	
R3508	NRSA6AJ-223W	MG RESISTOR	22kΩ1/16W J		R6008	NRVA6AD-823W	CMF RESISTOR	82kΩ1/16W D	
R3516	NRSA6AJ-0R0W	MG RESISTOR	0Ω1/16W J		R6009	NRVA6AD-333W	CMF RESISTOR	33kΩ1/16W D	
R3705	NRSA6AD-680W	MG RESISTOR	68Ω1/16W D		△ R6010	NRSA6AJ-102W	MG RESISTOR	1kΩ1/16W J	
R3706	NRSA6AD-680W	MG RESISTOR	68Ω1/16W D		R6103	NRSA6AJ-102W	MG RESISTOR	1kΩ1/16W J	
R3707	NRSA6AD-680W	MG RESISTOR	68Ω1/16W D		R6104	NRSA6AJ-0R0W	MG RESISTOR	0Ω1/16W J	
R3709	NRSA6AJ-105W	MG RESISTOR	1MΩ1/16W J		R6105	NRSA6AJ-123W	MG RESISTOR	12kΩ1/16W J	
R3710	NRSA6AJ-104W	MG RESISTOR	100kΩ1/16W J		R6106	NRSA6AJ-104W	MG RESISTOR	100kΩ1/16W J	
R3711	NRSA6AJ-823W	MG RESISTOR	82kΩ1/16W J		R6107	NRSA6AD-153W	MG RESISTOR	15kΩ1/16W D	
R3712	NRSA6AJ-103W	MG RESISTOR	10kΩ1/16W J		R6108	NRSA6AD-123W	MG RESISTOR	12kΩ1/16W D	
R3713	NRSA6AD-680W	MG RESISTOR	68Ω1/16W D		R6110	NRSA6AJ-332W	MG RESISTOR	3.3kΩ1/16W J	
R3730	NRSA6AJ-472W	MG RESISTOR	4.7kΩ1/16W J		R6201	NRSA6AD-153W	MG RESISTOR	15kΩ1/16W D	
R3731	NRSA6AJ-472W	MG RESISTOR	4.7kΩ1/16W J	E,F,G	R6202	NRSA6AD-753W	MG RESISTOR	75kΩ1/16W D	
R3732	NRSA6AJ-101W	MG RESISTOR	100Ω1/16W J	E,F,G	R6203	NRSA6AJ-0R0W	MG RESISTOR	0Ω1/16W J	
R3733	NRSA6AJ-561W	MG RESISTOR	560Ω1/16W J	E,F,G	R6204	NRSA6AJ-822W	MG RESISTOR	8.2kΩ1/16W J	
R3734	NRSA6AJ-822W	MG RESISTOR	8.2kΩ1/16W J	E,F,G	R6303	NRSA6AJ-104W	MG RESISTOR	100kΩ1/16W J	
R3735	NRSA6AJ-182W	MG RESISTOR	1.8kΩ1/16W J	E,F,G	R6304	NRSA6AJ-123W	MG RESISTOR	12kΩ1/16W J	
R3736	NRSA6AJ-183W	MG RESISTOR	18kΩ1/16W J	E,F,G	R6305	NRSA6AJ-103W	MG RESISTOR	10kΩ1/16W J	
R3737	NRSA6AJ-183W	MG RESISTOR	18kΩ1/16W J	E,F,G	R6403	NRSA6AJ-273W	MG RESISTOR	27kΩ1/16W J	
R3741	NRSA6AJ-102W	MG RESISTOR	1kΩ1/16W J	E,F,G	R6404	NRSA6AJ-473W	MG RESISTOR	47kΩ1/16W J	
R3744	NRSA6AJ-561W	MG RESISTOR	560Ω1/16W J	E,F,G	R6512	NRSA6AJ-392W	MG RESISTOR	3.9kΩ1/16W J	
R3745	NRSA6AJ-152W	MG RESISTOR	1.5kΩ1/16W J	E,F,G	R6513	NRSA6AJ-272W	MG RESISTOR	2.7kΩ1/16W J	
R3750	NRSA6AJ-222W	MG RESISTOR	2.2kΩ1/16W J	E,F,G	R6514	NRSA6AJ-682W	MG RESISTOR	6.8kΩ1/16W J	
R3751	NRSA6AJ-332W	MG RESISTOR	3.3kΩ1/16W J	E,F,G	R6515	NRSA6AJ-102W	MG RESISTOR	1kΩ1/16W J	
R3752	NRSA6AJ-332W	MG RESISTOR	3.3kΩ1/16W J	E,F,G	R6702	NRV142F-R20X	CMF RESISTOR	0.2Ω1/4W F	
R3753	NRSA6AJ-102W	MG RESISTOR	1kΩ1/16W J	E,F,G	R6704	NRSA6AJ-105W	MG RESISTOR	1MΩ1/16W J	
R3754	NRSA6AJ-333W	MG RESISTOR	33kΩ1/16W J	E,F,G	R6705	NRSA6AJ-105W	MG RESISTOR	1MΩ1/16W J	
R3755	NRSA6AJ-223W	MG RESISTOR	22kΩ1/16W J	E,F,G	R6708	NRSA6AJ-153W	MG RESISTOR	15kΩ1/16W J	
R3756	NRSA6AJ-0R0W	MG RESISTOR	0Ω1/16W J	E,F,G	R6709	NRSA6AJ-114W	MG RESISTOR	110kΩ1/16W J	
R3757	NRSA6AJ-101W	MG RESISTOR	100Ω1/16W J	E,F,G	R6710	NRSA6AJ-124W	MG RESISTOR	120kΩ1/16W J	
R3759	NRSA6AJ-153W	MG RESISTOR	15kΩ1/16W J	E,F,G	R6712	NRSA6AJ-561W	MG RESISTOR	560Ω1/16W J	
R3760	NRSA6AJ-103W	MG RESISTOR	10kΩ1/16W J	E,F,G	R6713	NRSA6AJ-104W	MG RESISTOR	100kΩ1/16W J	
R3761	NRSA6AJ-393W	MG RESISTOR	39kΩ1/16W J	E,F,G	R6714	NRSA6AJ-471W	MG RESISTOR	470Ω1/16W J	
R3763	NRSA6AJ-102W	MG RESISTOR	1kΩ1/16W J	E,F,G	R6715	NRSA6AD-472W	MG RESISTOR	4.7kΩ1/16W D	
R4201	NRSA6AJ-333W	MG RESISTOR	33kΩ1/16W J		R6716	NRSA6AJ-822W	MG RESISTOR	8.2kΩ1/16W J	
R4202	NRSA6AJ-0R0W	MG RESISTOR	0Ω1/16W J		R6717	NRSA6AD-183W	MG RESISTOR	18kΩ1/16W D	
R4901	NRSA6AJ-392W	MG RESISTOR	3.9kΩ1/16W J		R6721	NRSA6AJ-0R0W	MG RESISTOR	0Ω1/16W J	
R4903	NRSA6AJ-822W	MG RESISTOR	8.2kΩ1/16W J		R6802	NRSA6AJ-472W	MG RESISTOR	4.7kΩ1/16W J	
R4904	NRSA6AJ-103W	MG RESISTOR	10kΩ1/16W J		R6803	NRSA6AJ-102W	MG RESISTOR	1kΩ1/16W J	
R4905	NRSA6AJ-153W	MG RESISTOR	15kΩ1/16W J		R7701	NRSA6AD-393W	MG RESISTOR	39kΩ1/16W D	
R4906	NRSA6AJ-564W	MG RESISTOR	560kΩ1/16W J		R7702	NRSA6AD-682W	MG RESISTOR	6.8kΩ1/16W D	
R4907	NRSA6AJ-105W	MG RESISTOR	1MΩ1/16W J		R7703	NRSA6AD-123W	MG RESISTOR	12kΩ1/16W D	
R4908	NRSA6AJ-472W	MG RESISTOR	4.7kΩ1/16W J		R7704	NRSA6AD-123W	MG RESISTOR	12kΩ1/16W D	
R4909	NRSA6AJ-105W	MG RESISTOR	1MΩ1/16W J		R7705	NRSA6AD-123W	MG RESISTOR	12kΩ1/16W D	
R4910	NRSA6AJ-101W	MG RESISTOR	100Ω1/16W J		R7706	NRSA6AD-392W	MG RESISTOR	3.9kΩ1/16W D	
R4911	NRSA6AJ-101W	MG RESISTOR	100Ω1/16W J		R7707	NRSA6AD-392W	MG RESISTOR	3.9kΩ1/16W D	
R4916	NRSA6AJ-103W	MG RESISTOR	10kΩ1/16W J		R7708	NRSA6AD-392W	MG RESISTOR	3.9kΩ1/16W D	
R4917	NRSA6AJ-333W	MG RESISTOR	33kΩ1/16W J		R7712	NRSA6AJ-682W	MG RESISTOR	6.8kΩ1/16W J	
R4919	NRSA6AJ-103W	MG RESISTOR	10kΩ1/16W J		R7713	NRSA6AJ-682W	MG RESISTOR	6.8kΩ1/16W J	
R4920	NRSA6AJ-103W	MG RESISTOR	10kΩ1/16W J		R7714	NRSA6AJ-682W	MG RESISTOR	6.8kΩ1/16W J	
R4923	NRSA6AJ-123W	MG RESISTOR	12kΩ1/16W J		R7721	NRSA63J-0R0X	MG RESISTOR	0Ω1/16W J	
R4924	NRSA6AJ-123W	MG RESISTOR	12kΩ1/16W J		R7801	NRSA6AD-393W	MG RESISTOR	39kΩ1/16W D	
R4925	NRSA6AJ-104W	MG RESISTOR	100kΩ1/16W J		R7802	NRSA6AD-682W	MG RESISTOR	6.8kΩ1/16W D	
R4926	NRSA6AJ-123W	MG RESISTOR	12kΩ1/16W J		R7803	NRSA6AD-123W	MG RESISTOR	12kΩ1/16W D	
R4927	NRSA6AJ-123W	MG RESISTOR	12kΩ1/16W J		R7804	NRSA6AD-123W	MG RESISTOR	12kΩ1/16W D	
R4929	NRSA6AJ-0R0W	MG RESISTOR	0Ω1/16W J		R7805	NRSA6AD-123W	MG RESISTOR	12kΩ1/16W D	
R4931	NRSA6AJ-271W	MG RESISTOR	270Ω1/16W J		R7806	NRSA6AD-392W	MG RESISTOR	3.9kΩ1/16W D	
R4932	NRSA6AJ-0R0W	MG RESISTOR	0Ω1/16W J		R7807	NRSA6AD-392W	MG RESISTOR	3.9kΩ1/16W D	
R4934	NRSA6AJ-183W	MG RESISTOR	18kΩ1/16W J		R7808	NRSA6AD-392W	MG RESISTOR	3.9kΩ1/16W D	
R4935	NRSA6AJ-472W	MG RESISTOR	4.7kΩ1/16W J		R7809	NRSA6AJ-682W	MG RESISTOR	6.8kΩ1/16W J	
R4944	NRSA6AJ-0R0W	MG RESISTOR	0Ω1/16W J		R7810	NRSA6AJ-682W	MG RESISTOR	6.8kΩ1/16W J	
R4951	NRSA6AJ-103W	MG RESISTOR	10kΩ1/16W J		R7811	NRSA6AJ-682W	MG RESISTOR	6.8kΩ1/16W J	
R5501	NRSA6AJ-100W	MG RESISTOR	10Ω1/16W J		R7812	NRSA6AD-103W	MG RESISTOR	10kΩ1/16W D	
R5502	NRSA6AJ-100W	MG RESISTOR	10Ω1/16W J		R7813	NRSA6AD-103W	MG RESISTOR	10kΩ1/16W D	
R5503	NRSA6AJ-100W	MG RESISTOR	10Ω1/16W J		R7814	NRSA6AD-103W	MG RESISTOR	10kΩ1/16W D	
R5504	NRSA6AJ-100W	MG RESISTOR	10Ω1/16W J		R7815	NRSA6AD-273W	MG RESISTOR	27kΩ1/16W D	
R5505	NRSA6AJ-100W	MG RESISTOR	10Ω1/16W J		R7816	NRSA6AD-273W	MG RESISTOR	27kΩ1/16W D	

MODEL	MARK	MODEL	MARK	MODEL	MARK
GR-D640EX	A	GR-D645EG	D	GR-D650EZ	G
GR-D640EY	B	GR-D650EX	E		
GR-D640EZ	C	GR-D650EY	F		

△ Symbol No.	Part No.	Part Name	Description	Local
R7817	NRSA6AD-273W	MG RESISTOR	27kΩ1/16W D	
R7824	NRSA6AD-103W	MG RESISTOR	10kΩ1/16W D	
R7825	NRSA6AD-332W	MG RESISTOR	3.3kΩ1/16W D	
R7826	NRSA6AD-273W	MG RESISTOR	27kΩ1/16W D	
R7827	NRSA6AD-103W	MG RESISTOR	10kΩ1/16W D	
R7828	NRSA6AD-273W	MG RESISTOR	27kΩ1/16W D	
R7831	NRSA6AJ-0R0W	MG RESISTOR	0Ω1/16W J	
R7832	NRSA6AJ-0R0W	MG RESISTOR	0Ω1/16W J	
R8002	NRSA6AJ-103W	MG RESISTOR	10kΩ1/16W J	
R8008	NRSA6AJ-561W	MG RESISTOR	560Ω1/16W J	
R8009	NRSA6AJ-105W	MG RESISTOR	1MΩ1/16W J	
R8015	NRSA6AJ-473W	MG RESISTOR	47kΩ1/16W J	
R8016	NRSA6AJ-103W	MG RESISTOR	10kΩ1/16W J	
R8017	NRSA6AJ-103W	MG RESISTOR	10kΩ1/16W J	
R8019	NRSA6AJ-221W	MG RESISTOR	220Ω1/16W J	
R8021	NRSA6AJ-221W	MG RESISTOR	220Ω1/16W J	
R8022	NRSA6AJ-0R0W	MG RESISTOR	0Ω1/16W J	
R8023	NRSA6AJ-472W	MG RESISTOR	4.7kΩ1/16W J	
R8025	NRSA6AJ-472W	MG RESISTOR	4.7kΩ1/16W J	
R8031	NRSA6AJ-100W	MG RESISTOR	10Ω1/16W J	
R8032	NRSA6AJ-0R0W	MG RESISTOR	0Ω1/16W J	
R8041	NRSA6AJ-103W	MG RESISTOR	10kΩ1/16W J	
R8042	NRSA6AJ-103W	MG RESISTOR	10kΩ1/16W J	
R8046	NRSA6AJ-101W	MG RESISTOR	100Ω1/16W J	
R8050	NRSA6AJ-105W	MG RESISTOR	1MΩ1/16W J	
R8051	NRSA6AJ-105W	MG RESISTOR	1MΩ1/16W J	
R8056	NRSA6AJ-152W	MG RESISTOR	1.5kΩ1/16W J	
R8058	NRSA6AJ-0R0W	MG RESISTOR	0Ω1/16W J	
R8059	NRSA6AJ-154W	MG RESISTOR	150kΩ1/16W J	
R8060	NRSA6AJ-0R0W	MG RESISTOR	0Ω1/16W J	
R8061	NRSA6AJ-0R0W	MG RESISTOR	0Ω1/16W J	
R8062	NRSA6AJ-104W	MG RESISTOR	100kΩ1/16W J	
R8801	NRSA6AJ-101W	MG RESISTOR	100Ω1/16W J	
R8802	NRSA6AJ-103W	MG RESISTOR	10kΩ1/16W J	
R8803	NRSA6AJ-103W	MG RESISTOR	10kΩ1/16W J	
R8804	NRSA6AJ-394W	MG RESISTOR	390kΩ1/16W J	
R8805	NRSA6AJ-102W	MG RESISTOR	1kΩ1/16W J	
R8806	NRSA6AD-560W	MG RESISTOR	56Ω1/16W D	
R8807	NRSA6AD-560W	MG RESISTOR	56Ω1/16W D	
R8808	NRSA6AD-560W	MG RESISTOR	56Ω1/16W D	
R8809	NRSA6AD-560W	MG RESISTOR	56Ω1/16W D	
R8810	NRSA6AD-512W	MG RESISTOR	5.1kΩ1/16W D	
R8811	NRSA6AD-751W	MG RESISTOR	750Ω1/16W D	
R8812	NRSA6AD-562W	MG RESISTOR	5.6kΩ1/16W D	
R8821	NRSA6AJ-104W	MG RESISTOR	100kΩ1/16W J	
RA1001	NRZ0034-473W	NET RESISTOR	47kΩ1/32W J x4	
RA1002	NRZ0034-104W	NET RESISTOR	100kΩ1/32W J x4	
RA1003	NRZ0034-104W	NET RESISTOR	100kΩ1/32W J x4	
RA1004	NRZ0034-104W	NET RESISTOR	100kΩ1/32W J x4	
RA1005	NRZ0034-104W	NET RESISTOR	100kΩ1/32W J x4	
RA1006	NRZ0034-102W	NET RESISTOR	1kΩ1/32W J x4	
RA1007	NRZ0034-102W	NET RESISTOR	1kΩ1/32W J x4	
RA3001	NRZ0034-221W	NET RESISTOR	220Ω1/32W J x4	
RA3002	NRZ0034-221W	NET RESISTOR	220Ω1/32W J x4	
RA3003	NRZ0034-221W	NET RESISTOR	220Ω1/32W J x4	
RA3004	NRZ0034-221W	NET RESISTOR	220Ω1/32W J x4	
RA3005	NRZ0034-470W	NET RESISTOR	47Ω1/32W J x4	
RA3006	NRZ0034-470W	NET RESISTOR	47Ω1/32W J x4	
RA8001	NRZ0034-101W	NET RESISTOR	100Ω1/32W J x4	
RA8002	NRZ0034-101W	NET RESISTOR	100Ω1/32W J x4	
RA8003	NRZ0034-101W	NET RESISTOR	100Ω1/32W J x4	
RA8004	NRZ0034-101W	NET RESISTOR	100Ω1/32W J x4	
RA8005	NRZ0034-103W	NET RESISTOR	10kΩ1/32W J x4	
L1001	NQLC32M-100X	COIL	10uH M	
L1002	NQLC32M-100X	COIL	10uH M	
L1601	NQLC32M-100X	COIL	10uH M	
L1602	NQLC32M-100X	COIL	10uH M	
L2401	NQLC32M-100X	COIL	10uH M	
L2402	NQLC32M-100X	COIL	10uH M	
L2403	NQLC32M-100X	COIL	10uH M	
L2601	NQR0602-001X	FERRITE BEADS		
L2602	NQR0602-001X	FERRITE BEADS		
L2603	NQR0602-001X	FERRITE BEADS		
L3001	NQLC32M-100X	COIL	10uH M	
L3002	NQLC32M-100X	COIL	10uH M	
L3004	NQLC32M-100X	COIL	10uH M	
L3005	NQLC32M-100X	COIL	10uH M	

△ Symbol No.	Part No.	Part Name	Description	Local
L3007	NQLC32M-100X	COIL	10uH M	
L3009	NQLC32M-100X	COIL	10uH M	
L3011	NQR0602-001X	FERRITE BEADS		
L3014	NQLD8DJ-2R2X	COIL	2.2uH J	E,F,G
L3015	NQLD8DJ-120X	COIL	12uH J	
L3501	NQR0602-001X	FERRITE BEADS		
L3502	NQLC32M-100X	COIL	10uH M	
L3503	NQR0602-001X	FERRITE BEADS		
L3701	NQLC32M-100X	COIL	10uH M	
L3731	NQLD8DJ-6R8X	COIL	6.8uH J	E,F,G
L3732	NQLD8DJ-6R8X	COIL	6.8uH J	E,F,G
L4201	NQLC32M-100X	COIL	10uH M	
L4202	NQLC32M-100X	COIL	10uH M	
L4203	NQR0129-002X	FERRITE BEADS		
L4901	NQR0129-002X	FERRITE BEADS		
L4902	NQLC32M-100X	COIL	10uH M	
L4903	NQL38DK-100X	P COIL	10uH K	
L4904	NQLC32M-100X	COIL	10uH M	
L5501	NQR0129-002X	FERRITE BEADS		
L5502	NQLC32M-100X	COIL	10uH M	
L5503	NQR0129-002X	FERRITE BEADS		
L5504	NQLC32M-100X	COIL	10uH M	
L5505	NQR0129-001X	FERRITE BEADS		
L5506	NQLC32M-100X	COIL	10uH M	
L5507	NQR0129-001X	FERRITE BEADS		
L6101	NQL87EN-390X	COIL	39uH N	
L6201	NQL87EN-390X	COIL	39uH N	
L6301	NQL62EM-470X	COIL	47uH M	
L6401	NQL62EM-470X	COIL	47uH M	
△ L6501	NQL52EM-221X	COIL	220uH M	
L6502	NQLC32M-100X	COIL	10uH M	
L6701	NQL52EM-390X	COIL	39uH M	
L6801	NQL365K-470X	COIL	47uH K	
L7701	NQLC32M-100X	COIL	10uH M	
L7802	NQR0602-001X	FERRITE BEADS		
L8001	NQR0602-001X	FERRITE BEADS		
L8002	NQR0602-001X	FERRITE BEADS		
L8003	NQR0602-001X	FERRITE BEADS		
L8005	NQR0602-001X	FERRITE BEADS		
L8006	NQR0602-001X	FERRITE BEADS		
L8008	NQLC32M-100X	COIL	10uH M	
L8010	NQR0506-002X	EMI FILTER		
L8801	NQR0602-001X	FERRITE BEADS		
L8802	NQR0602-001X	FERRITE BEADS		
CN101	QGF0508F3-40X	CONNECTOR	REAR FFC/FPC (1-40)	
CN102	QGB0519J1-20X	CONNECTOR	JIG CN B-B (1-20)	
CN103	QGF0549C2-30W	CONNECTOR	OPF FFC/FPC (1-30)	
CN1601	QGF0543F3-08X	CONNECTOR	LM/ENC FFC/FPC (1-8)	
CN1602	QGF0543F3-11X	CONNECTOR	DRUM FFC/FPC (1-11)	
CN1603	QGF0543F3-18X	CONNECTOR	CAPSTAN FFC/FPC (1-18)	
CN1604	QGF0543F3-16X	CONNECTOR	SENSOR FFC/FPC (1-16)	
CN2601	QGA1001F1-04X	CONNECTOR	MIC W-B (1-4)	
CN3501	QGF0543F3-08X	CONNECTOR	HEAD FFC/FPC (1-8)	
CN4201	QGF0549C2-20W	CONNECTOR	CCD FFC/FPC (1-20)	
CN4901	QGF0549C2-22W	CONNECTOR	OP FFC/FPC (1-22)	
CN7801	QGF0549C2-24W	CONNECTOR	VF FFC/FPC (1-24)	
△ F1601	NMFZ007-R20X-K	FUSE	1608 UNREG 0.2A 50V	
△ F1602	NMFZ007-R50X-K	FUSE	1608 REG3V 0.5A 50V	
△ F6001	NMFZ007-2R5X-K	FUSE	2.5A 24V	
J101	QNA0040-001	DC JACK	DCJACK	
J102	QNZ0822-001	D CONNECTOR	DVJACK	
J103	QNZ0617-001	USB CONNECTOR	USB	
TL102	NNZ0084-002X	EARTH TERMINAL		
X1001	NAX0645-001X	CRYSTAL	20.000MHz	
X1002	NAX0564-001X	CRYSTAL	32.768kHz	
X5501	NAX0674-001X	CXO	72M CXO 72.000MHZ	
HD1	LY35153-002A	HOLDER (LED)	LED HOLDER	
OT1	LY30035-013A	SPACER(A)	FOR LED	

CCD BOARD ASSEMBLY <02>

△ Symbol No.	Part No.	Part Name	Description	Local
PW1	LYA20031-01A	CCD BOARD ASSY		

MODEL	MARK	MODEL	MARK	MODEL	MARK
GR-D640EX	A	GR-D645EG	D	GR-D650EZ	G
GR-D640EY	B	GR-D650EX	E		
GR-D640EZ	C	GR-D650EY	F		

Symbol No.	Part No.	Part Name	Description	Local
Q5201	2SC4083/NP/-X	TRANSISTOR		
Q5202	2SC4081/RS/-X	TRANSISTOR		
Q5203	2SC4083/NP/-X	TRANSISTOR		
C5201	NCB31CK-104X	C CAPACITOR	0.1uF 16V K	
C5202	NBZ0018-106X	TA E CAPACITOR	10uF 20V M	
C5203	NCB31EK-104X	C CAPACITOR	0.1uF 25V K	
C5204	NBE21AM-106X	TA E CAPACITOR	10uF 10V M	
C5205	NCB31EK-104X	C CAPACITOR	0.1uF 25V K	
C5206	NCB31EK-104X	C CAPACITOR	0.1uF 25V K	
C5207	NCB31HK-222X	C CAPACITOR	2200pF 50V K	
R5201	NRSA63J-332X	MG RESISTOR	3.3kΩ1/16W J	
R5202	NRSA63J-152X	MG RESISTOR	1.5kΩ1/16W J	
R5203	NRSA63J-103X	MG RESISTOR	10kΩ1/16W J	
R5204	NRSA63J-123X	MG RESISTOR	12kΩ1/16W J	
R5205	NRSA63J-103X	MG RESISTOR	10kΩ1/16W J	
L5201	NQL38DK-100X	P COIL	10uH K	
L5202	NQL38DK-100X	P COIL	10uH K	

REAR BOARD ASSEMBLY <03>

Symbol No.	Part No.	Part Name	Description	Local
PW1	LYA20024-06C	REAR BOARD ASSY		
D501	EMZ6.8N-X	Z DIODE	EMZ6.8N-X	
D504	EMZ6.8N-X	Z DIODE	EMZ6.8N-X	
C503	NCB31CK-103X	C CAPACITOR	0.01uF 16V K	
C504	NCB31CK-103X	C CAPACITOR	0.01uF 16V K	
C505	NCB31CK-103X	C CAPACITOR	0.01uF 16V K	
C506	NBE20JM-106X	TA E CAPACITOR	10uF 6.3V M	
C508	NCB31CK-105X	C CAPACITOR	1uF 16V K	
C510	NDC21HG-151X	C CAPACITOR	150pF 50V G	
C513	NCB31CK-104X	C CAPACITOR	0.1uF 16V K	
R501	NRSA63J-101X	MG RESISTOR	100Ω1/16W J	
R502	NRSA63J-101X	MG RESISTOR	100Ω1/16W J	
R503	NRSA63J-103X	MG RESISTOR	10kΩ1/16W J	
R504	NRSA63J-103X	MG RESISTOR	10kΩ1/16W J	
R505	NRSA63J-103X	MG RESISTOR	10kΩ1/16W J	
R506	NRSA63J-103X	MG RESISTOR	10kΩ1/16W J	
R507	NRSA63J-103X	MG RESISTOR	10kΩ1/16W J	
R508	NRSA63J-103X	MG RESISTOR	10kΩ1/16W J	
R509	NRSA63J-221X	MG RESISTOR	220Ω1/16W J	
R510	NRSA63J-0R0X	MG RESISTOR	0Ω1/16W J	
R511	NRSA63J-0R0X	MG RESISTOR	0Ω1/16W J	
R512	NRSA63J-0R0X	MG RESISTOR	0Ω1/16W J	
R513	NRSA63J-0R0X	MG RESISTOR	0Ω1/16W J	
R514	NRSA63J-0R0X	MG RESISTOR	0Ω1/16W J	
L501	NQR0251-004X	FERRITE BEADS		
L502	NQR0251-004X	FERRITE BEADS		
L503	NQR0006-001X	FERRITE BEADS		
L504	NRSA63J-0R0X	MG RESISTOR	0Ω1/16W J	
L505	NRSA63J-0R0X	MG RESISTOR	0Ω1/16W J	
L506	NRSA63J-0R0X	MG RESISTOR	0Ω1/16W J	
BT501	QAB0025-001	LITHIUM BATTERY	CR2032/1F4 3V 220mAh	
BT502	LY35060-001B	BATT.TERM.UNIT		
CN501	QGF0508F3-40X	CONNECTOR	TO MAIN(S) FFC/FPC (1-40)	
CN502	QGF0534F3-07X	CONNECTOR	TO POWER FFC/FPC (1-7)	
CN503	NNZ0151-001X	SD CARD CONNE	NNZ151(SD)	
J501	QNS0264-001	3.5 JACK	AVJACK	
J502	QND0068-001	S JACK	S JACK	
S501	NSW0162-001X	DETECT SWITCH	EJECT	
OT1	LY30034-038A	SPACER(A)	SD CN	
WR1	QUQK05-40X4BA-E	FFC WIRE	REAR FFC 40pin 4.5cm	

OPE BOARD ASSEMBLY <04>

Symbol No.	Part No.	Part Name	Description	Local
PW1	LYA20026-02C	OPE BOARD ASSY		
R401	NRSA63J-332X	MG RESISTOR	3.3kΩ1/16W J	
R402	NRSA63J-682X	MG RESISTOR	6.8kΩ1/16W J	
R403	NRSA63J-223X	MG RESISTOR	22kΩ1/16W J	
R404	NRSA63J-332X	MG RESISTOR	3.3kΩ1/16W J	
R405	NRSA63J-682X	MG RESISTOR	6.8kΩ1/16W J	
R406	NRSA63J-223X	MG RESISTOR	22kΩ1/16W J	
CN401	QGF0543F3-30X	CONNECTOR	TO MAIN FFC/FPC (1-30)	
CN402	QGF0528F4-18X	CONNECTOR	TO MONITOR FFC/FPC (1-18)	
CN403	QGF0534F3-08X	CONNECTOR	TO ZOOM FFC/FPC (1-8)	
CN404	QGA1001F1-02X	CONNECTOR	TO SPK W-B (1-2)	
S401	NSW0225-001X	DETECT SWITCH	MONI SW	
S402	NSW0198-001X	TACT SWITCH	SET_SW	
S403	NSW0099-001X	SLIDE SWITCH	NSW99X(SD)	
S404	NSW0198-001X	TACT SWITCH	MENU	
S405	NSW0198-001X	TACT SWITCH	WIDE	
S406	NSW0198-001X	TACT SWITCH	LED LIGHT	
S407	NSW0198-001X	TACT SWITCH	STOP	
S408	NSW0198-001X	TACT SWITCH	REW	
S409	NSW0198-001X	TACT SWITCH	FF	
S410	NSW0198-001X	TACT SWITCH	PLAY	
OT1	LY30035-008A	SPACER(A)		
OT2	LY41818-001A	SPACER	(x2)	
WR1	QUQK05-3005AA-E	FFC WIRE	OPE FFC 30pin 5cm	

MONITOR BOARD ASSEMBLY <05>

Symbol No.	Part No.	Part Name	Description	Local
PW1	LYA20023-02A	MONITOR BOARD ASSY		
IC7601	DN8797MS-X	IC		
Q7601	PUMX1-W	PAIR TRANSISTOR		
Q7601	or BC847S-X	PAIR TRANSISTOR		
Q7601	or KTC801U/G/-X	PAIR TRANSISTOR		
Q7601	or RT3CLLM/EF/-X	PAIR TRANSISTOR		
Q7601	or UMX1N-W	PAIR TRANSISTOR		
Q7602	PUMX1-W	PAIR TRANSISTOR		
Q7602	or BC847S-X	PAIR TRANSISTOR		
Q7602	or KTC801U/G/-X	PAIR TRANSISTOR		
Q7602	or RT3CLLM/EF/-X	PAIR TRANSISTOR		
Q7602	or UMX1N-W	PAIR TRANSISTOR		
D7601	RB521S-30-X	SB DIODE		
D7601	or KDR720E-X	SB DIODE		
D7602	RB521S-30-X	SB DIODE		
D7602	or KDR720E-X	SB DIODE		
D7603	RB521S-30-X	SB DIODE		
D7603	or KDR720E-X	SB DIODE		
D7604	RB521S-30-X	SB DIODE		
D7604	or KDR720E-X	SB DIODE		
D7605	NSSW008C/T052-X	LED	LED	
D7605	or HEW1142LS/93/-X	LED	LED	
D7606	NSSW008C/T052-X	LED	LED	
D7606	or HEW1142LS/93/-X	LED	LED	
D7607	NSSW008C/T052-X	LED	LED	
D7607	or HEW1142LS/93/-X	LED	LED	
C7601	NCB31CK-104X	C CAPACITOR	0.1uF 16V K	
C7602	NCB31CK-224X	C CAPACITOR	0.22uF 16V K	
C7603	NCB31EK-153X	C CAPACITOR	0.015uF 25V K	
C7606	NCB21CK-105X	C CAPACITOR	1uF 16V K	
C7607	NCB11EK-105X	C CAPACITOR	1uF 25V K	
C7608	NCB11EK-105X	C CAPACITOR	1uF 25V K	
C7609	NCB21CK-105X	C CAPACITOR	1uF 16V K	
C7610	NCB11EK-105X	C CAPACITOR	1uF 25V K	
C7611	NCB21CK-105X	C CAPACITOR	1uF 16V K	
C7612	NCB21CK-105X	C CAPACITOR	1uF 16V K	
C7613	NCB21CK-105X	C CAPACITOR	1uF 16V K	
C7614	NCB21CK-105X	C CAPACITOR	1uF 16V K	

MODEL	MARK	MODEL	MARK	MODEL	MARK
GR-D640EX	A	GR-D645EG	D	GR-D650EZ	G
GR-D640EY	B	GR-D650EX	E		
GR-D640EZ	C	GR-D650EY	F		

Symbol No.	Part No.	Part Name	Description	Local
C7615	NCB21CK-105X	C CAPACITOR	1uF 16V K	
C7622	NCB21CK-105X	C CAPACITOR	1uF 16V K	
C7623	NCB21CK-105X	C CAPACITOR	1uF 16V K	
C7624	NCB21CK-105X	C CAPACITOR	1uF 16V K	
C7625	NCB31CK-104X	C CAPACITOR	0.1uF 16V K	
R7601	NRSA63J-104X	MG RESISTOR	100kΩ1/16W J	
R7602	NRSA63J-0R0X	MG RESISTOR	0Ω1/16W J	
R7604	NRSA63D-223X	MG RESISTOR	22kΩ1/16W D	
R7605	NRSA63J-0R0X	MG RESISTOR	0Ω1/16W J	
R7606	NRSA63J-106X	MG RESISTOR	10MΩ1/16W J	
R7609	NRSA63J-0R0X	MG RESISTOR	0Ω1/16W J	
R7610	NRSA63D-912X	MG RESISTOR	9.1kΩ1/16W D	
R7611	NRSA63D-912X	MG RESISTOR	9.1kΩ1/16W D	
R7612	NRSA63D-912X	MG RESISTOR	9.1kΩ1/16W D	
R7613	NRSA63D-103X	MG RESISTOR	10kΩ1/16W D	
R7614	NRSA63D-103X	MG RESISTOR	10kΩ1/16W D	
R7615	NRSA63D-103X	MG RESISTOR	10kΩ1/16W D	
R7616	NRSA63J-332X	MG RESISTOR	3.3kΩ1/16W J	
R7617	NRSA63J-682X	MG RESISTOR	6.8kΩ1/16W J	
R7618	NRSA63J-470X	MG RESISTOR	47Ω1/16W J	
R7619	NRSA63J-470X	MG RESISTOR	47Ω1/16W J	
R7620	NRSA63J-470X	MG RESISTOR	47Ω1/16W J	
L7602	NRSA02J-0R0X	MG RESISTOR	0Ω1/10W J	
L7603	NRSA02J-0R0X	MG RESISTOR	0Ω1/10W J	
L7604	NRSA02J-0R0X	MG RESISTOR	0Ω1/10W J	
CN7601	QGF0312F1-21W	CONNECTOR	TO OPE FFC/FPC (1-21)	
CN7602	QGF0528F4-40X	CONNECTOR	FFC/FPC (1-40)	
OT1	QAL0785-001	FPC		

VF BOARD ASSEMBLY <06>

Symbol No.	Part No.	Part Name	Description	Local
PW1	LYA20027-01B	VF BOARD ASSY		
Q7001	PUMX1-W	PAIR TRANSISTOR		
Q7001	or BC847S-X	PAIR TRANSISTOR		
Q7001	or KTC801U/G/-X	PAIR TRANSISTOR		
Q7001	or RT3CLLM/EF/-X	PAIR TRANSISTOR		
Q7001	or UMX1N-W	PAIR TRANSISTOR		
D7001	E1S35AW0C501-X	LED		
D7002	UDZS5.1B-X	Z DIODE		
C7001	NCB21CK-105X	C CAPACITOR	1uF 16V K	
C7002	NCB21CK-474X	C CAPACITOR	0.47uF 16V K	
R7001	NRSA63J-332X	MG RESISTOR	3.3kΩ1/16W J	
R7002	NRSA63J-561X	MG RESISTOR	560Ω1/16W J	
R7003	NRSA63J-470X	MG RESISTOR	47Ω1/16W J	
CN7001	QGF0543F3-23X	CONNECTOR	TO MAIN FFC/FPC (1-23)	
CN7002	QGF0543F3-22X	CONNECTOR	TO VF LCD FFC/FPC (1-22)	
S7001	NSW0271-001X	DETECT SWITCH	VF SW	