



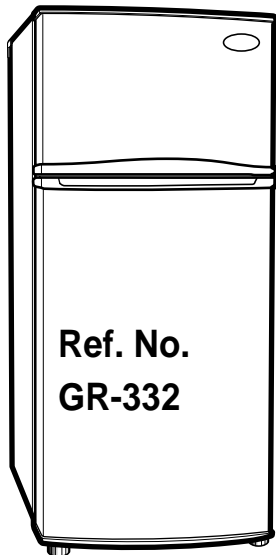
**LG**

<http://biz.lgservice.com>

# REFRIGERATOR

# SERVICE MANUAL

**CAUTION**  
BEFORE SERVICING THE UNIT, READ THE "SAFETY  
PRECAUTIONS" IN THIS MANUAL.



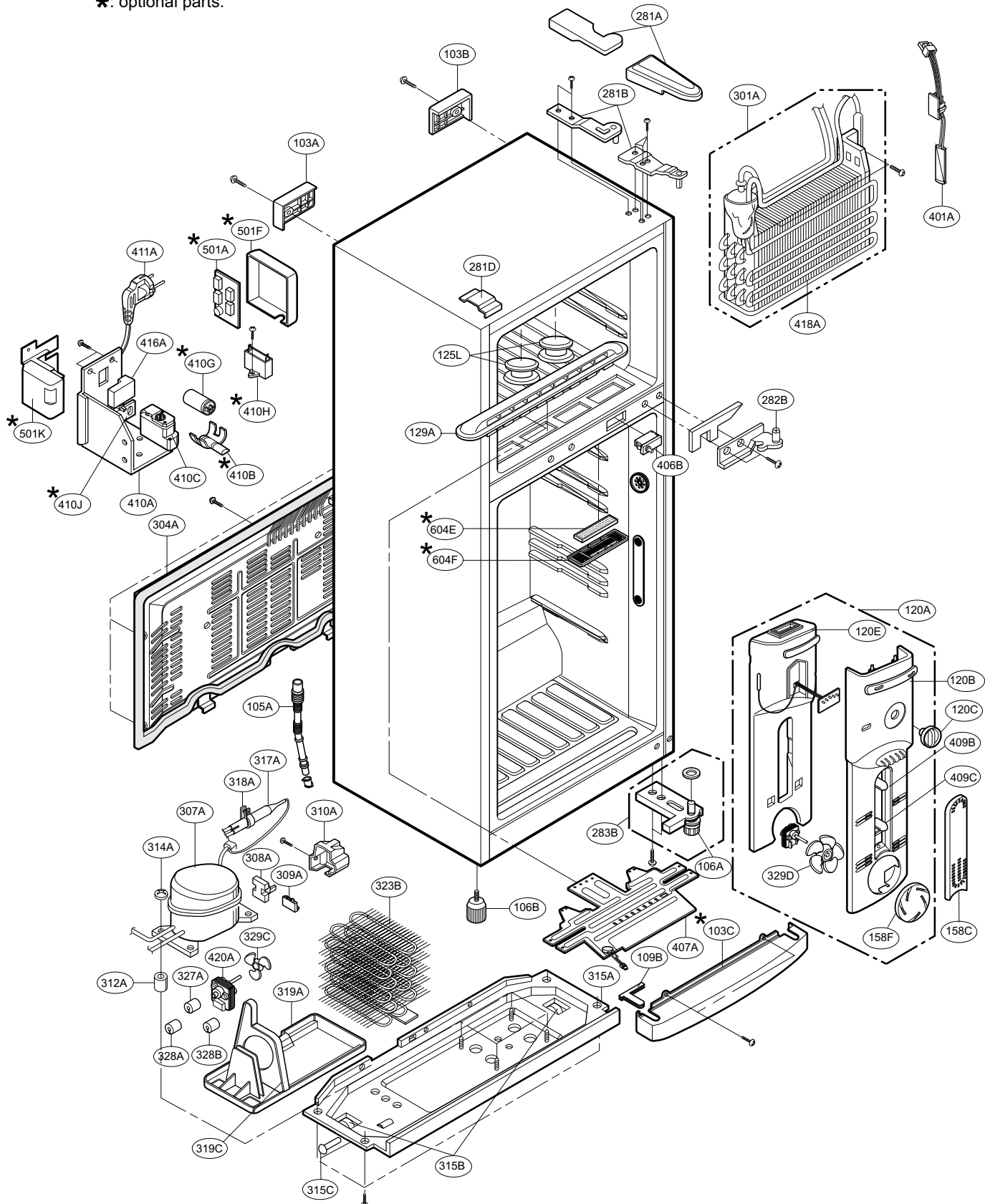
**MODEL: GN-332**

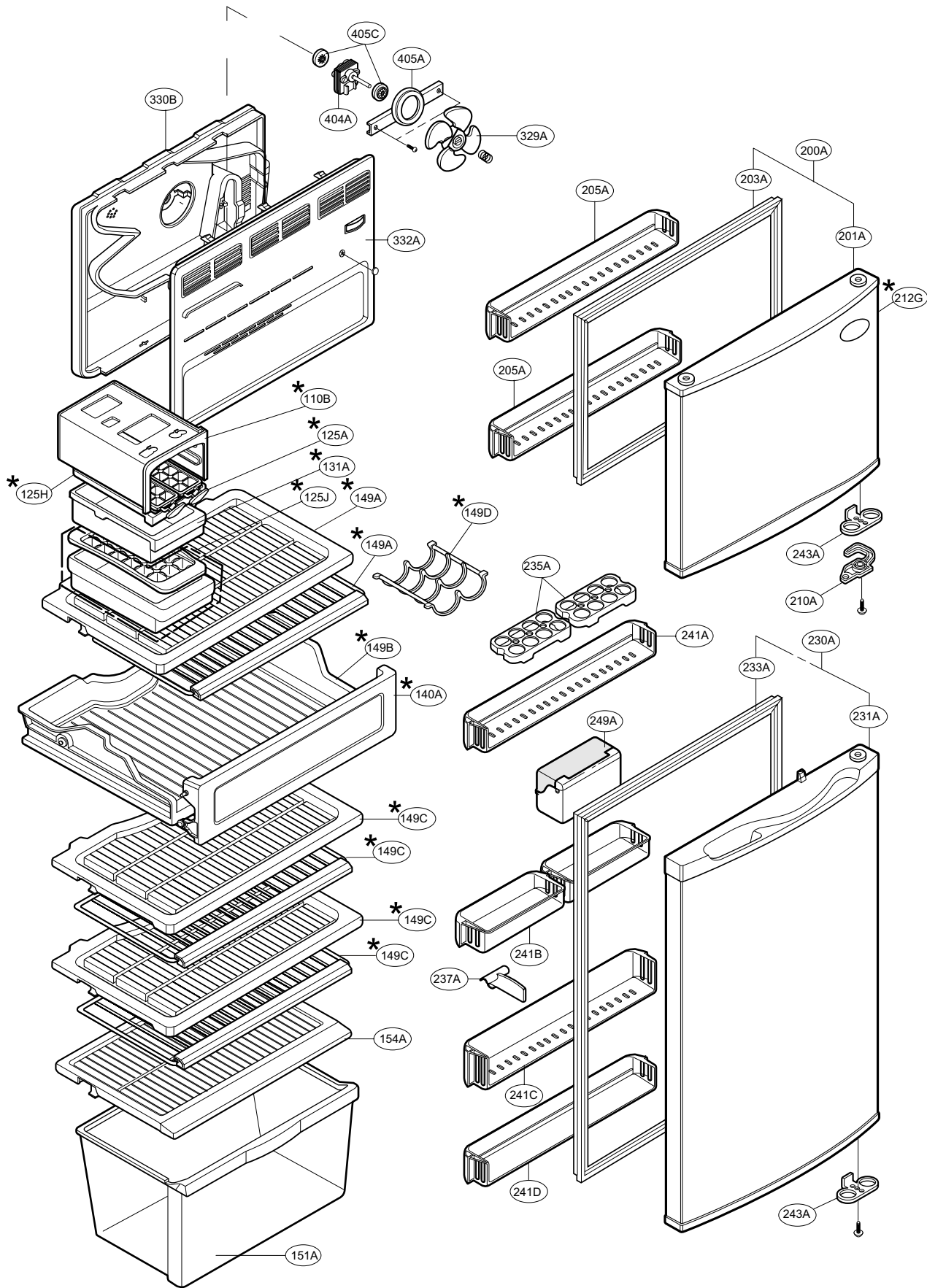
**COLOR: ALL COLOUR**

# 8. EXPLODED VIEW

The parts of refrigerator and the shape of each part are subject to change in different localities.  
Capacitors and fuse are optional parts.

\*: optional parts.





Non	Part No	Description	Specification	Loc No
1	-			106B
2	0CZZJB2003C	CAPACITE	0CZZJB2003C CR:5 -	410J
3	2521C-A5711	COMPRESSOR,SET ASSEMBL	MA57LAEM AR1EOIL	307A
4	3103JA1010D			315A
5	3103JA1010H	Base Assembly,Compressor	332/372/s352/s392_0	315A
6	3103JA1010J			315A
7	3103JA1010K			315A
8	3103JA1010L			315A
9	3103JA1017E			315A
10	3103JA1017F			315A
11	3390JA0005A	FIXATION COMPRESSEUR 31	MOLD PP PP NATUR	319A
12	3390JA1058A	BAC A GLACONS	MOLD PP PP SUPER V	125A
13	3390JA1076C	BAC A OEUFS	MOLD GPPS GPPS CR	235A
14	3390JM1012A	Tray,Vegetable	MOLD GPPS GPPS CR	151A
15	3390JM2004A	Tray,Egg	MOLD GPPS GPPS TR	235A
16	3391JA1015E	CLAYETTE	GR-00 C/ST	149B
17	3391JM1007A	Tray Assembly,Fresh Room	GN-T342,S352,T382,	149B
18	3531JA1017B	CACHE VENTILATEUR	GR-332,T342 C/WH B	332A
19	3550JA0012A			304A
20	3550JA0020T	COVER,LOWER	PP GLOSS SILVER NC	103C
21	3550JA2052C	COVER,DEODORIZER	MOLD MIPS MIPS SK	604F
22	3550JD1010F			158C
23	3550JM2005A	Cover,PTC	MOLD LUPOX NO NO	310A
24	3550JP3003A	Cover,TV	MOLD SAN 82TR SAN	154A
25	3580JD1028B	DOOR,FRESH ROOM	MOLD GPPS GPPS C	140A
26	3581JM8040S	Door Assembly,Freezer	332SL GS RV GR-332	200A
27	3581JM8041F	Door Assembly,Refrigerator	332SL GS RV NK	230A
28	3650JA2061V	HANDLE,BACK	MOLD PP M-540 PP_J	103A
29	3650JA2061X	HANDLE,BACK	MOLD PP M-540 PP_J	103B
30	3J02312A	GUIDE BANDE	MOLD PE PE NATURA	315B
31	3J04686A	BOUTON 106A	PE-H 43MM 38MM R-	106A
32	4620JA2007A	STOP PORTE	MOLD POM POM NAT	210A
33	4620JM3005A	Stopper,Compressor	SUS304 NATURAL TO	314A
34	4680JB1035C	MOTOR(MECH),COOLING	240V 37.5MA 9W 50H	420A
35	4680JB1039F	MOTOR(MECH),FAN	240V 41MA 10W 50H	404A
36	4775JA2020A	CHARNIERE	GR-332 SCP1 3.2	283B
37	4775JA3009E	CHARNIERE	GR-332/372 SCP1 3.2	282B
38	4775JA3015C	CHARNIERE	GR-332-482 SCP1 3.2	281B
39	4778JA2008A	LEG PIED	PE-H 9.8MM -MM GR	106B
40	4810JA2005E	BRACKET,TIMER	PRESS SBHG T0.8 SB	410A
41	4810JA3075A	BRACKET,MOTOR	PRESS SPCC T1.2 SC	405A
42	4826JA2010A	SPACER,INSULATION	MOLD EPS 332-S392	303A
43	4930JM2001A	Holder,Tray Ice	MOLD MIPS MIPS SU	125L
44	4930JM3001A	Holder,Drier	PRESS SBHG1 0.5 FE	318A
45	4940JA2006A	BOUTON THERMOSTAT	MOLD ABS HG-173 A	120C
46	4974JA1017A	BAC A GLACONS 110B	MOLD MIPS MIPS SU	110B
47	4974JA1023A	GUIDE HELICE	MOLD PP PP MU40 N	319C
48	4974JA2013J	GUIDE,BOTTLE	MOLD PP PP SKY BLU	237A
49	4974JA3031A	FIXATION	PRESS SPCC T2.3 SC	243A
50	4974JA3031A	FIXATION	PRESS SPCC T2.3 SC	243A
51	4974JD1001A	GUIDE,DUCT	MOLD MIPS MIPS SK	129A
52	4980JA1010J	SUPPORTER,TRAY-ICE	MOLD PS PS SUPER V	125H
53	4987JM1008C	Gasket Assembly,Door	GN-332/372 GASKET	203A
54	4987JM1008E	Gasket Assembly,Door	GN-332/372 GASKET	233A
55	4994JD1028B			120B

56	4995JA1033E	CONTROL BOX ASSEMBLY,R	D2-332,GR-332,T342	120A
57	4J03020A	CALE/ENTRETOIS	MOLD EPDM RUBBE	328A
58	4J03277A	FREIN	T0.7	314A
59	4J04328A	CALE/ENTRETOIS	MOLD EPDM EPDM B	327A
60	4J04330E	RESTRAINER	COMPLEX 50MM 70M	316A
61	5004JA1056E	BASKET DOOR	MOLD GPPS 25SP BA	241B
62	5004JD1086E	BASKET,DOOR	MOLD GPPS GPPS CR	205A
63	5004JD1087E	BASKET,DOOR	MOLD GPPS GPPS CR	241A
64	5004JD1088E	CASIER A OEUFS	MOLD GPPS GPPS C	241C
65	5004JD1089E	BASKET,DOOR	MOLD GPPS GPPS CR	241D
66	5006JA2020B			109A
67	5006JA3050V	CAP,COVER	MOLD PP PP GLOSS S	109B
68	5026JM1020E	Shelf,Freezer	MOLD GPPS SAN 82T	149A
69	5027JA2044A	SHELF ASSY,R	GR-332,372,T342,T3	149C
70	5040JM3001E	Damper,Compressor	EPDM BLACK HS50 L	312A
71	5074JA1003A	bac a glace-congel	MOLD GPPS GPPS CR	131A
72	5074JD1005E	bac a glace-congel	GPPS CRYSTAL T2.5	131A
73	5075JA2004E	CLAYETTE ET CASIER DE PO	- DAIRY(33,37,43,48	249A
74	5208JA1033A	BOITIER 120E	MOLD EPS EPS WHIT	120E
75	5208JA2012A			120G
76	5251JA3003A	TUBE CONDENSATEUR 105A	R-B28,31,36 258MM	105A
77	5300JB1040E	RESISTANCE DEGIVRAGE	240V 51W 382-34 ( C	407A
78	5300JB1041E	RESIST SUR EVAPORATEUR	GR-332-372 240V 13	418A
79	5403JA1055A	CONDENSER ASSEMBLY,WIR	FE(SWST) NATURAL	323B
80	5421JM2005E	Evaporator Assembly	GN-342,392 240V BA	301A
81	5433JM8020E	Door Foam Assembly,Freezer	332 GS PET RV	201A
82	5433JM8021E	Door Foam Assembly,Refrige	332SL GS PET NK RV	231A
83	5851JA2002E	DRIER ASSEMBLY	XH-7 8*12 10G DANM	317A
84	5901JA1013A	FAN ASSEMBLY	- 110 3BLADE 3.17 P	329C
85	5901JA1016A	FAN ASSEMBLY	- 110 9BLADE 3.17 P	329A
86	6411JN1009E	POWER CORD ASSEMBLY	C-4-1/H05VV-F 3X0.7	411A
87	6600JB1002K	SWITCH PORTE	PS100-12K AC 250VA	406B
88	6615JB2003J	CONTROL ASSY,DEF	MECHANICAL -4/13 7	401A
89	6748C-0004C	Thermistor Assembly,PTC	P330MD P330MD LUC	308A
90	6750C-0004B	O.L.P	4TM158RFBYY 520 4	309A
91	6912JB2001C	LAMPE	6912JB2001C 20W 2	409B
92	6914JB2006E	MINUTERIE 410C	200-240V NON 6H35	410C
93	6914JB2007B			410C
94	6930JB1003E	THERMOSTAT	3C -1C 250V 4A -	110A
95	AFC30571001			106B
96	EAE32501003	Capacitor,Film,DIP	BAP-40H050H2 5uF -	410G
97	EAE32501003	Capacitor,Film,DIP	BAP-40H050H2 5uF -	410J
98	FAC3004230E	Pin,Customized	RW211281 SPECIAL S	315C
99	J580-00023A	CAPACITE	MOLD ABS AF-303 [M	410B
100	J722-00008A			303B
101	J756-00008B	RONDELLE	MOLD RUBBER RUBB	405C
102	MCK4716530	Cover,PTC	MOLD ABS AF-315 AB	310A
103	MEB3106390	Handle,Rear	MOLD PP M-540 PP_J	103A
104	MEB3106390	Handle,Rear	MOLD PP M-540 PP_J	103B
105	MEB31063903			103A
106	MEB31063904			103B
107	MEB3106390	Handle,Rear	MOLD PP M-540 PP_J	103A
108	MEB3106390	Handle,Rear	MOLD PP M-540 PP_J	103B
109	MEB31063907			103A
110	MEB31063908			103B
111	MFA3104930	Leg,Adjust	MOLD PP PP 46 MM C	106B