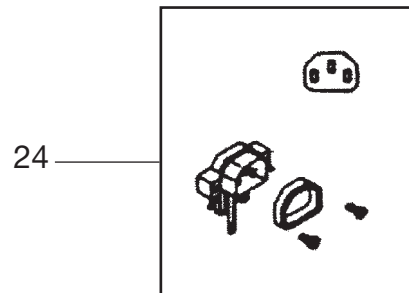
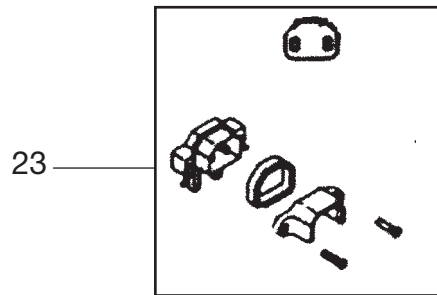
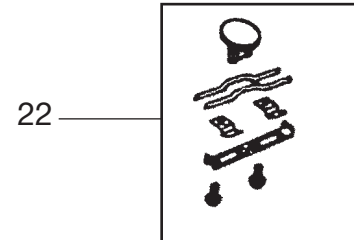
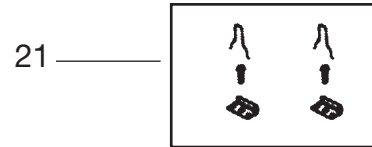
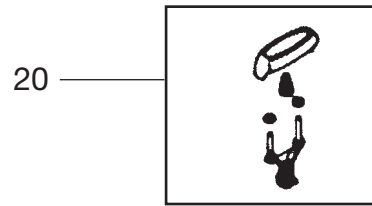
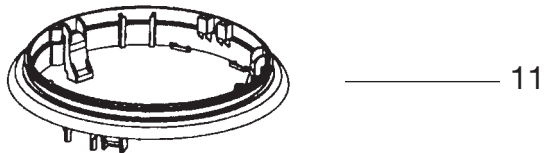
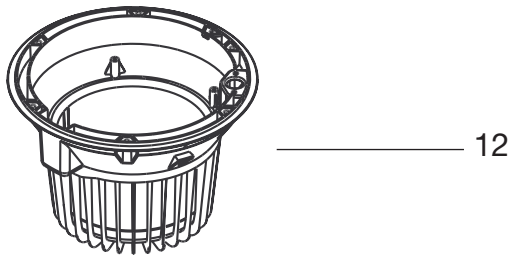
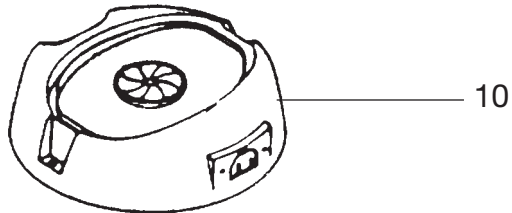
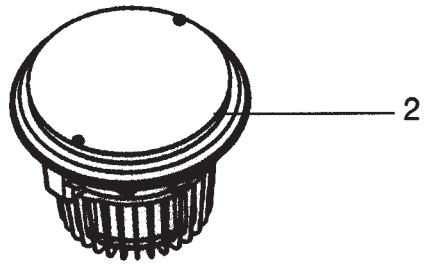
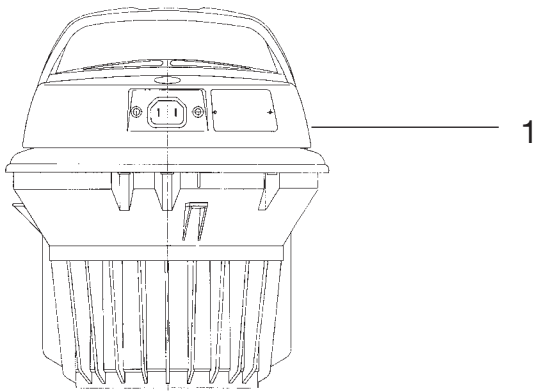


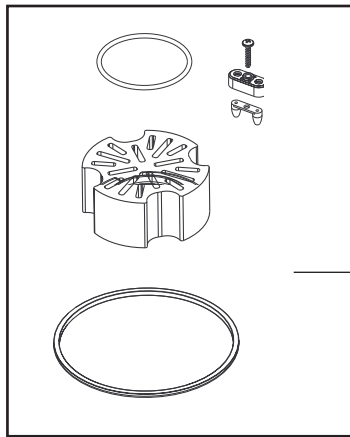
**DESCRIPTION****PLAN**

DESCRIPTION	PLAN
Motor head, all models	A - 0.3.3 - 2
Motor and on/off switch	A - 0.3.3 - 4
Cords	A - 0.3.3 - 6
Dust bag and accessories	A - 0.3.3 - 8
Diffuser, filter	A - 0.3.3 - 10
Upper/lower container with accessories	A - 0.3.3 - 12
Hoses, connections and tubes, 38mm and 32mm	A - 0.3.3 - 14
Nozzles 32mm	A - 0.3.3 - 16

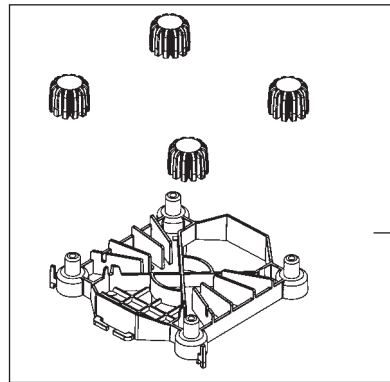


97-08	MOTOR HEADS, CONSUMER, GS/GM 80	BOOK A		
02-10	MOTOR HEADS, ALL MODELS	A	0.3.3	3

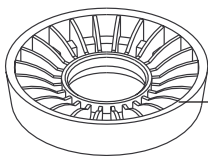
Pos.	Part No.	Qty.	Desc.1	Desc.2,	EAN 005715492+
1	12108127	1	Motor gsp 100v.japan		+004164
1	12108129	1	Motor gsp 110-120v.ul		+004171
1	12108148	1	Motor gsp 200v.japan		+004218
1	12108153	1	Motor gsp 220-240v.eu/aus		+004195
1	12108229	1	Motor gsp w/cord ul		+004188
1	12108253	1	Motor gsp w/cord eu/aus		+004201
1	12108329	1	Motor gspj 110-120v.ul		+004270
1	12108348	1	Motor gspj 200v.japan		+004294
1	12108353	1	Motor gspj 220-240v.aus		+004287
1	12108429	1	Motor gsp 110-120v.ul		+007431
1	12108529	1	Motor gspj 110-120v.ul		
1	12108629	1	Motor gsp w/cord ul		
1	12110127	1	Motor gmp 100v.japan		+004263
1	12110129	1	Motor gmp 110-120v.ul		+004225
1	12110229	1	Motor gmp, fixed cord, ul		+004232
1	12110327	1	Motor gmpj 100v.japan		+004317
1	12110329	1	Motor gmpj 110-120v.ul		+004300
1	12110429	1	Motor gmp 110-120v. ce		
1	12112153	1	Motor gmp 220-240v.eu/aus		+004249
1	12112253	1	Motor gmp m.f.led.220-240		+004256
1	12112353	1	Motor gmpj 220-240v.eu-ud		+004324
10	22232300	1	Top housing for gs/gm	Motors	+007738
11	22232500	1	Support ring for gs/gm	Motors	+007745
12	22231200	1	Bottom housing with valve	For gs/gm motor	+007714
12	22231201	1	Bottom housing with valve	For gs/gm motor ul-appro.	+007721
20	22410500	1	On/off device for gs/gm	Motors	+018055
21	22410400	1	Locking device for handle	Gs/gm motors	+018048
22	20705300	1	Thermo valve compl.w.part	For motor head gs/ gm	+026241
23	20705400	1	Socket standard w.parts	For motor head gs/ gm	+026258
24	20705500	1	Socket earthed w.parts	For motor head gs/ gm	+026265



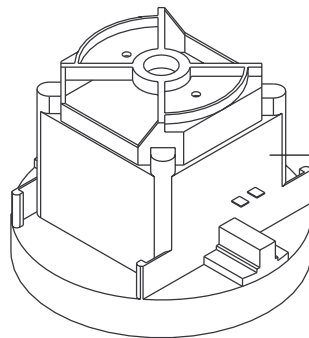
11



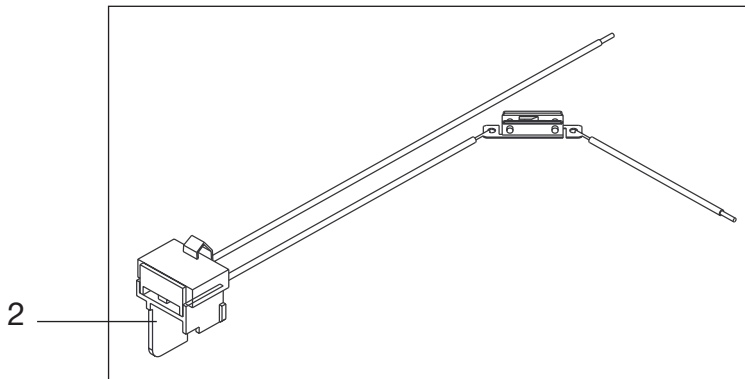
10



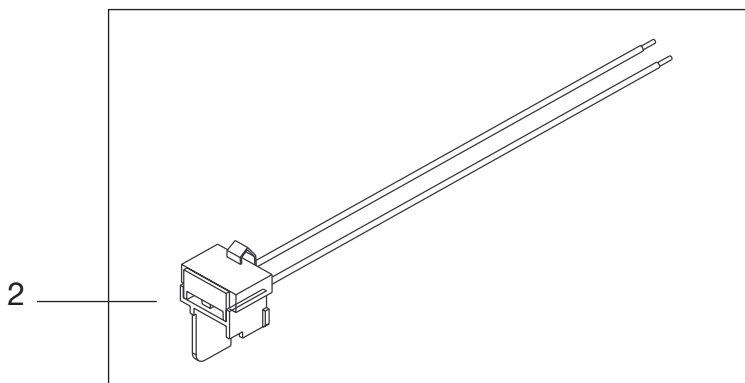
12



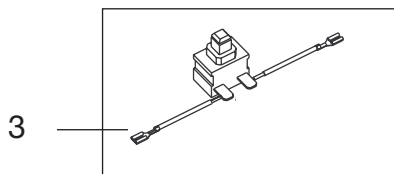
1



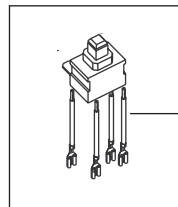
2



2



3



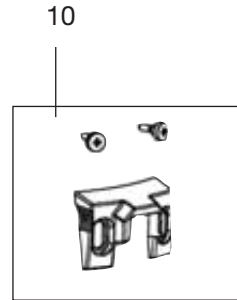
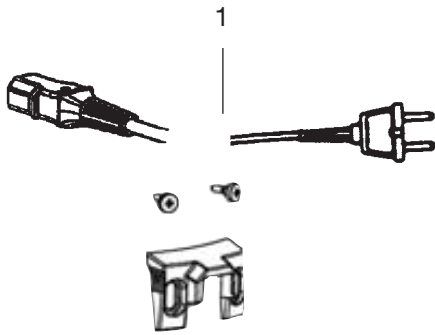
4

01-02	MOTOR SERVICE KIT, CONSUMER, GS/GM 80	BOOK A		
02-10	MOTOR AND MOTOR WIRE	A	0.3.3	5

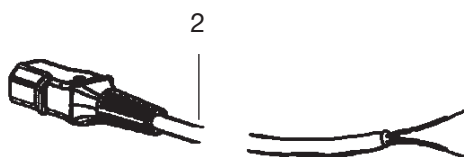
Pos.	Part No.	Qty.	Desc.1	Desc.2	EAN
					<b>005715492</b>
1	12125001	1	Motor gsp 100-120v		+003594
1	12125002	1	Motor gsp 200-240v		+003600
1	12125003	1	Motor 110-120v		+003020
1	12125005	1	Motor 220-240v		+003013
2	22130500	1	Wire kit/thermo switch ul	Only ul approved motor	+003563
2	22130501	1	Internal wire and	Capacitor	+006687
2	22130502	1	Internal wire and	Capacitor	
3	22131100	1	On/off switch 1-pole		+003570
4	22131200	1	On/off switch 2-pole		+003587
10	22231100	1	Motor suspension-phillips	Motors gm400/king/gd1000	+007691
11	22365300	1	Sound absorber and gasket	Gs/gm motor	+011865
12	22399800	1	Gasket for inlet	For phillips motor	+014187

**Note**

>> means: New or changed ref. no.



Cord with plug/socket for bracket, item 10, for GM 80-90 series			
	Voltage	Plug type	
EU	250		
UK	250		
AUS/NZ	250		
CH	250		
USA/CAN	120		



00-08	MOTOR SERVICE KIT, GS/GM 80, CONSUMER	BOOK A		
01-08	CORDS	A	0.3.3	7

	Typical regional use	Type of cord	Part No. for consumer use	EAN code 5715492+
1	EU	2x1.0-7m	21548000	+011476
	UK	2x1.0-7m	21746500	+009626
	US/CAN	2x18AWG-30ft	21952200	+009695
	AUS/NZ	2x1.0-7m	21905400	+009657
	CH	2x1.0-7m	21907900	+009688

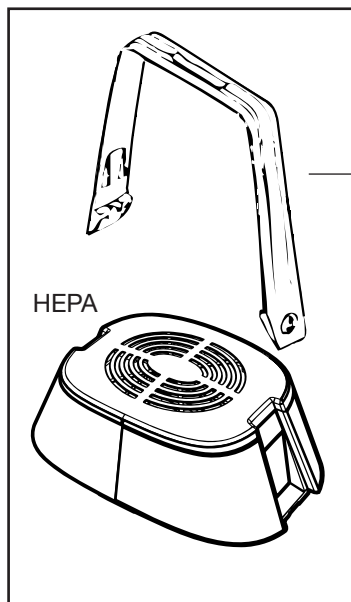
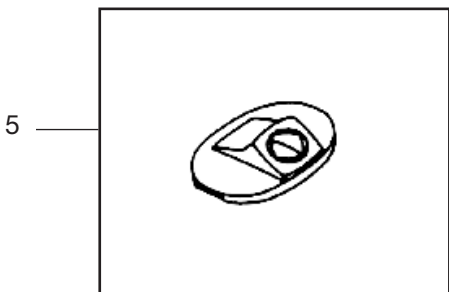
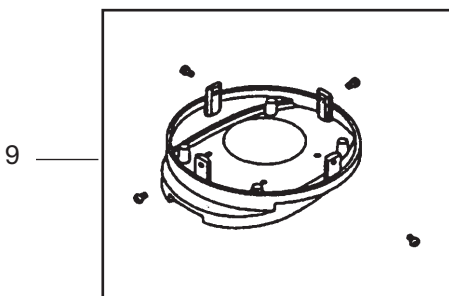
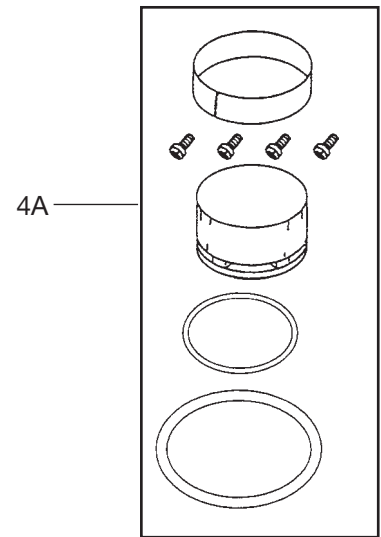
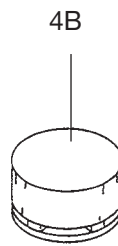
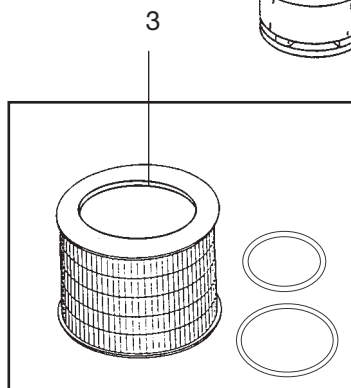
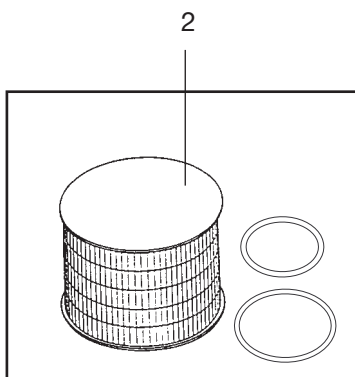
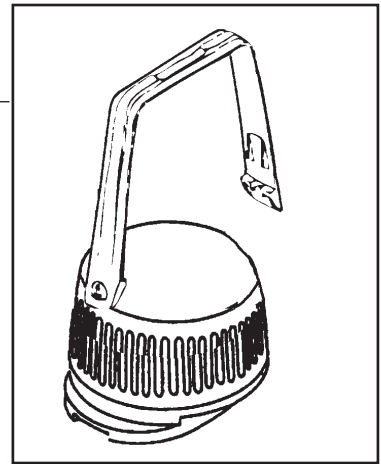
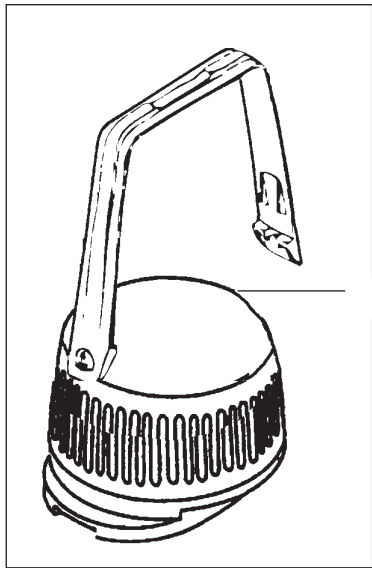
Item	Ref.No.	Description	Note	EAN code (5715492+)
10	22361000	Bracket with screws for detachable mounting of cords		+011469

#### Cord with socket only, no plug

	Type of cord	Part No. for consumer use	Part No. for institutional use	EAN code 5715492+
>> 2	2x1.0-7m	21545400		+009589

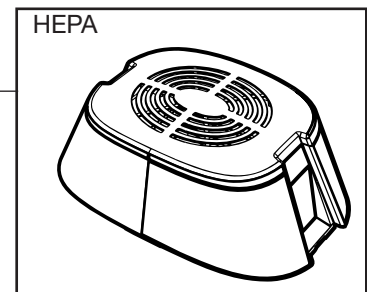
#### Note

>> means: New or changed ref. no.



6

7



HEPA

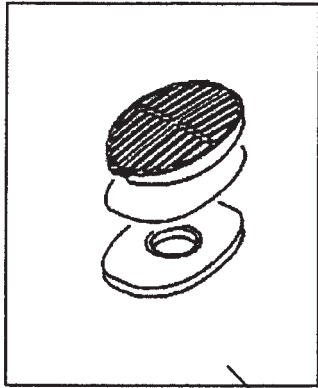


01-05	MOTOR SERVICE KIT, CONSUMER, GS/GM 80	BOOK A		
02-10	EXHAUST FILTER, DUST BAG AND ACCESSORIES	A	0.3.3	9

Item	Ref.No.	Qty	Description	EAN code
				5715492
1	11731003	1	Exhaust filter kit wo.	Filter w handle + base +003730
2	21738000	1	Filter element hepa for	Gs/gm motors +003747
4	11750703	1	Sound suppressor for	Gs/gm motors +003761
5	11562000	1	Blowing coupling gs/gm 80	+003549
6	82146700	1	Hepa starter kit	+005215
7	82147100	1	Hepa replacement filter	+005208
9	22383900	1	Base for filter, kit	+014811
4A	22384100	1	Sound supressor kit for	Gs/gm motors +014835
4B	21750900	1	Sound cartridge compl. f.	Gs/gm motors

**Note**

>> means: New or changed ref. no.



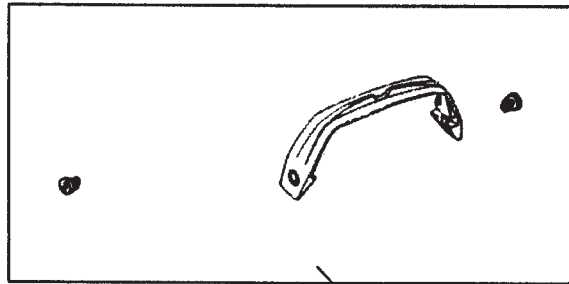
1



2



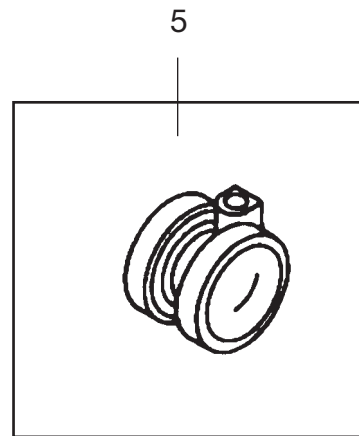
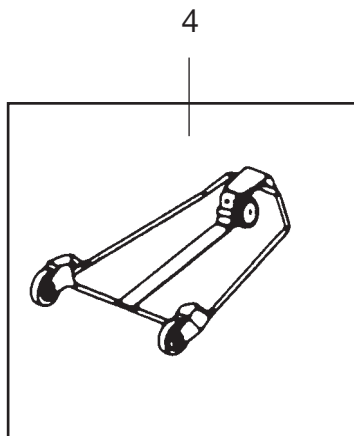
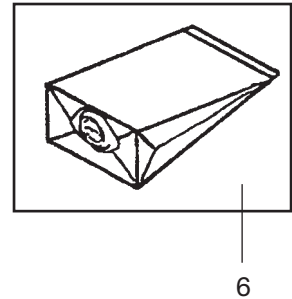
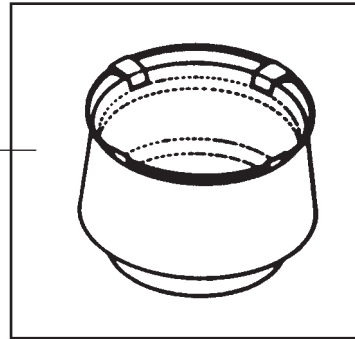
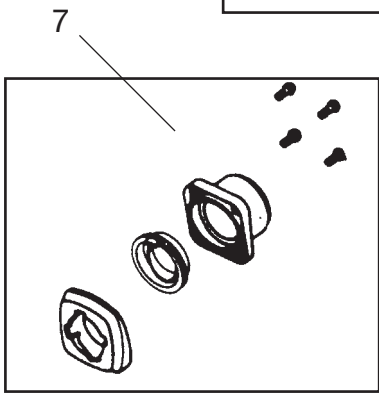
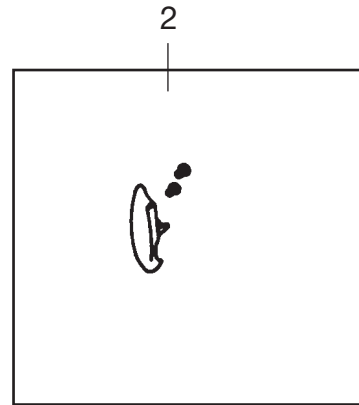
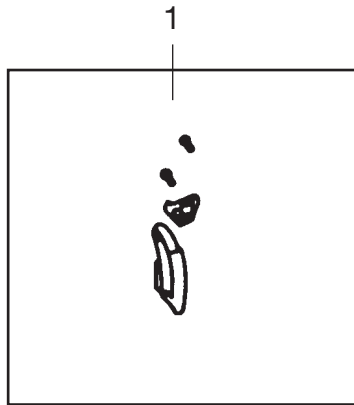
4



5

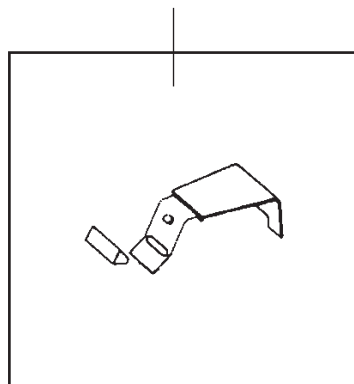
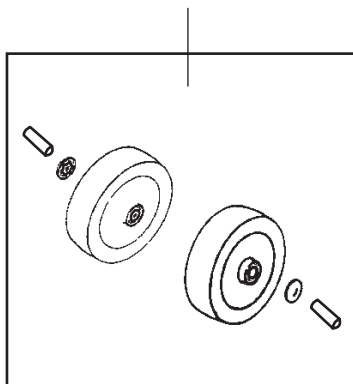
01-10	GS/GM 80	BOOK A		
02-10	DIFFUSER, FILTER	A	0.3.3	11

Item	Ref.No.	Qty	Description	Note	EAN code
1	22394900	1	Exhaust filter with	Micro static	+012800
2	11641000	1	Micro-static filter		+005987
4	11730400	1	Motor protection filter		+173044
5	22132000	1	Handle complete		+003532



4A

4B

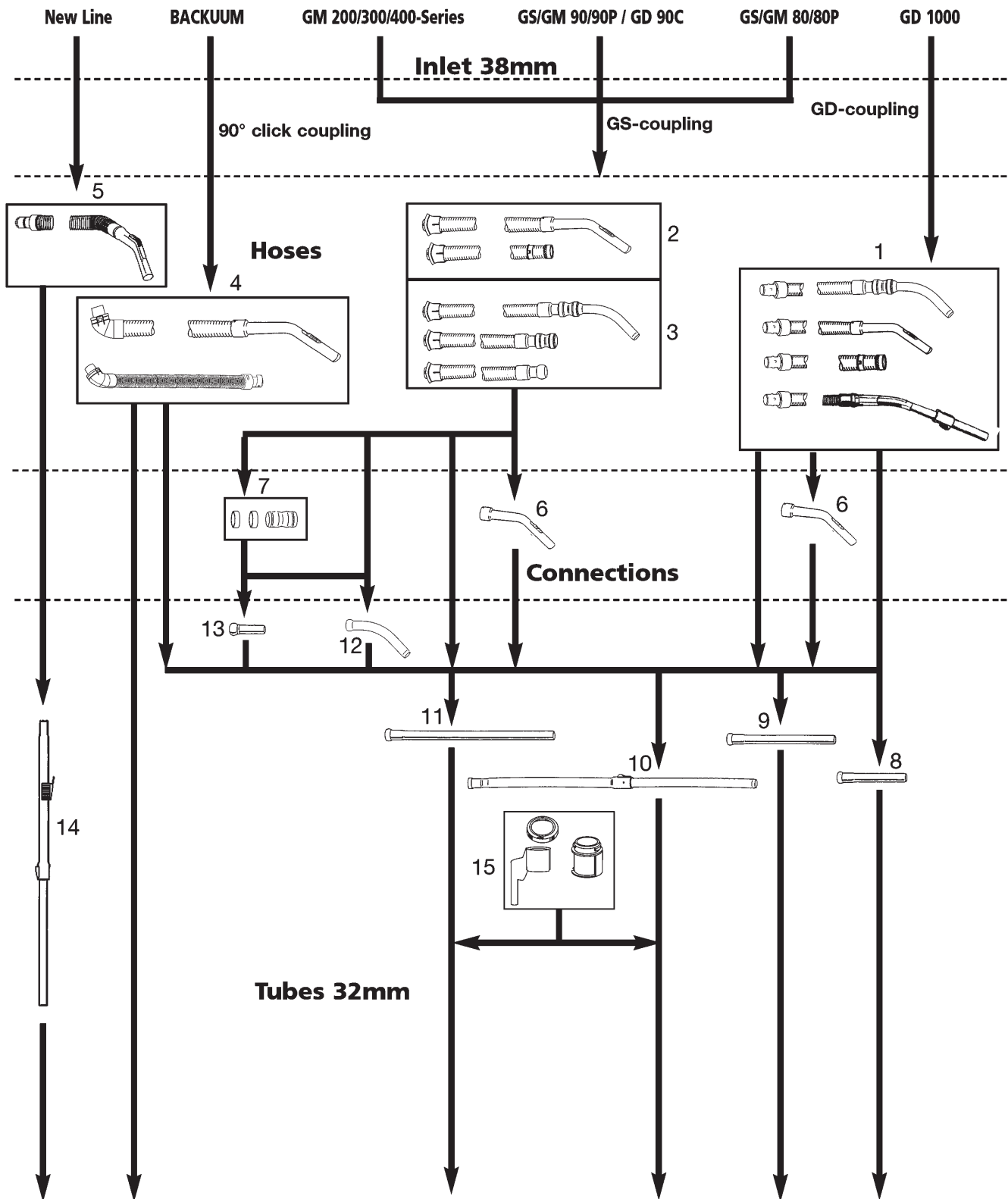


01-10	CONTAINER SERVICE KIT, GS/GM 80, CONSUMER	BOOK A		
02-10	UPPER / LOWER CONTAINER WITH ACCESSORY	A	0.3.3	13

Item	Ref.No.	Qty	Description		EAN code
					5715492
1	22142400	1	Clip 2 pcs complete	For motor head	005715492004041
2	22142500	1	Clip 2 pcs complete	For container	005715492004034
3	61543000	1	Filter cotton gs/gm 80	2100 cm2	005715492004119
4	11547000	1	Trolley consumer gm/gs 80		005715492004140
4A	22384200	1	Rear wheels f. wagon	Gs/m 80	005715492014842
4B	22384400	1	Wagon hitch gs/m 80 kit		005715492014859
5	22410100	1	Kit swivel wheel gm/gs 80	Consumer	571549201801700
6	82095000	1	Dust bag 6,5l	Box with 5 bags	005715492002641
7	22142300	1	Bayonet inlet complete	80-90 series	005715492004058

**Note**

>> means: New or changed ref. no.



See  
New-  
Line  
nozzles

See  
nozzles  
for  
32mm

02-03	GS/GM 80	BOOK A		
02-10	HOSES AND TUBES, 32MM	A	0.3.3	15

Pos.	Part No.	Qty.	Desc.1	Desc.2	EAN
					<b>005715492</b>
2	12041500	1	Hose 38/32mm 2m plastic	Gs + curved plastic tube	+002580
2	22041400	1	Hose 38/32mm/2m plastic	With gs coupling wo.tube	+021147
2	22147600	1	Parking service kit	Grey	+005642
3	11543600	1	Hose 38-32mm/2m rubber	W. gs-coupling + muff	+019724
3	11543700	1	Hose 32/38 mm l=2m rubber	With ball joint	
3	11717000	1	Hose 38/32mm 2m rubber	Gs-coupling + curved tube	+019700
3	12097500	1	Hose 38/32mm 2m plastic	W.curved steel tube gs 38	+020935
3	12097600	1	Hose 38/32mm 2m plastic	With muff + gs coupling	+021062
3	22097400	1	Hose 38/32mm 2m plastic	Gs + ball joint	+021123
6	21640503	1	Curved tube 32mm plast		+003464
7	22344400	1	Muff kit 32mm black+grey	Antistatisk + olieresist	+010745
7	22344600	1	Consumer muff kit 32mm	Standard	+010752
8	11182500	1	Extension tube 32mm	L=0,2m	+012077
9	11112400	1	Extension tube 32m	L = 560mm chromed steel	+005932
9	11112401	1	Tube extension 32mm 560mm	Chromed steel	+003419
10	81906500	1	Tube telescopic 32mm	Max l. 1130mm	+011872
11	11262400	1	Tube 32mm alu l=1.0m		
12	21112600	1	Curved tube 32mm steel		+018598
13	11141900	1	Steel tube 32mm l=0,14m		

**Note**

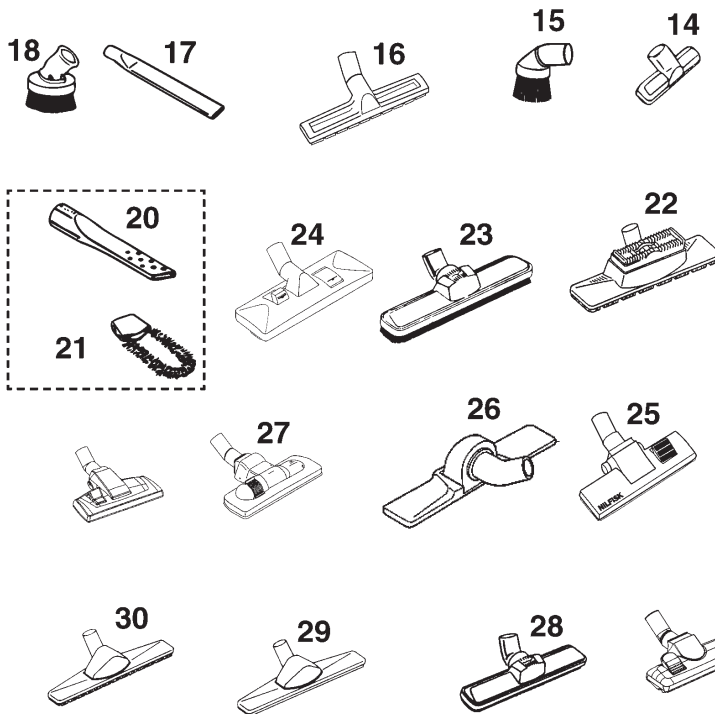
>> means: New or changed ref. no.

See hose connection diagram for 38mm hoses

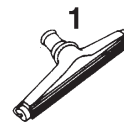


See hose connection diagram for Tapered 38/32mm and 32mm

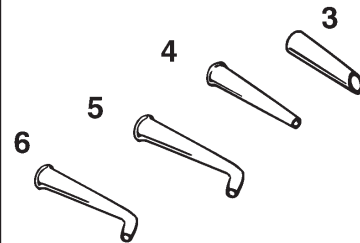
**Brushes & nozzles**



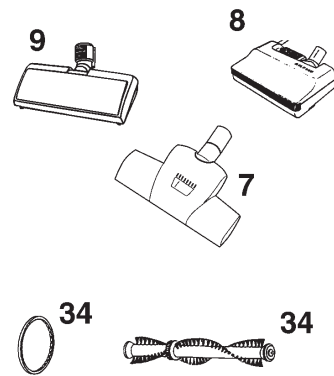
**Aluminium nozzle with adjustable lips**



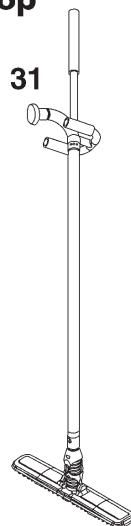
**Flexible nozzles**



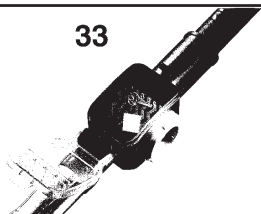
**Special nozzle**



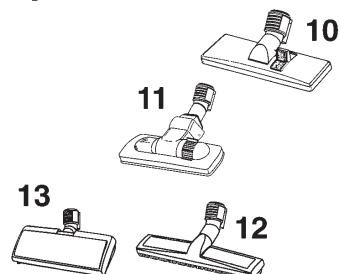
**NilfiskMop**



**Pelican 33**



**Nozzles with parking clip for GD 1000**





01-09	ACCESSORIES 32 MM, GS/GM 80, CONSUMER	BOOK A		
02-10	NOZZLES	A	0.3.3	17

Pos.	Part No.	Qty.	Desc.1	Desc.2	EAN
					<b>0057154922</b>
7	22360000	1	Turbo nozzle black		+010882
16	22351400	1	Hardfloor nozzle black	F/ 32mm tube	+010998
22	11450201	1	Three-in-one nozzle 305mm	Inlet 32mm plastic	
24	11980300	1	Nozzle combi 32mm	270mm	
27	22359800	1	Nozzle combi deluxe	Black f/32mm tube	+010868
33	22424800	1	Pelican for king		+025114
34	81684500	1	Brush f. turbo nozzles 11	685000,21982000,22360000	
34	81684600	1	Drive belt for brush on	Turbo nozzle 11685000	