

Published by:  
Service Department Audio Systems



LINE OF BUSINESS AUDIO SYSTEMS

# SERVICE NEWSLETTER

**09.01** TYPENUMBER(S): **CD713, CD723, CD753**

**INFORMATION** : Correction to the Service Manual, Service Test Program – chapter 5-2  
The buttons for entering the Service Test Program are stated wrong.

The correct procedure is as follows:  
Hold PLAY & STOP depressed while plugging in the mains cord.

**REMARKS** :

**09.02** TYPENUMBER(S): **FW332**

**SYMPTOM** : **IRIS CODE 3 1 3 X**  
The clock runs too fast, approx. 1-2 minutes per month.

**CURE** : Although the above clock accuracy is within the product specification,  
the deviation might not be accepted by all customers.

In order to adjust the clock frequency proceed as follows:

- Add a trimmer 4822 126 10508 in parallel to capacitor 2406 (Front Board)
- Enter Service Test Program, "Quartz Test" (see page 3-5 of Service Manual)
- Align frequency at pin 80 of IC7401 to 2047.9776Hz - 2048.0234Hz (= 488.287µs - 488.276µs)

**REMARKS** : Measurement must be carried out with a high resolution frequency counter, i.e. PM6675 or equivalent.

**09.03** TYPENUMBER(S): **FW72C, FW346C, FW356C, FW358C, FW359C, FW388V, FW530C, FW535C, FW538, FW550C, FW570C, FW575C, FW765P, FW775P, FW795W, FW850C, FW855C, FW860P, FW880P, FW880W**

SYMPTOM : **IRIS CODE 1 6 1 5**

The cassette doors (especially the left door) do not close properly.

CURE : The problem is most probably caused by:

- Tolerance in dimensions of door catches
- Deformation of plastic brackets of catches

In course of production the catch & plastic brackets have been modified. The service codenumbers for the new parts read as follows:

FW72C, FW530C, FW535C, FW538, FW550C, FW570C, FW575C, FW765P, FW775P and FW795W

---

Pos 244 - 4822 402 10621 Push Catch  
Pos 246 - 4822 402 11246 Bracket, Right  
Pos 247 - 4822 402 11245 Bracket, Left

FW346C, FW356C, FW358C, FW359C and FW388V

---

Pos 275 - 4822 402 10621 Push Catch  
Pos 276 - 4822 402 11246 Bracket, Right  
Pos 277 - 4822 402 11245 Bracket, Left

FW850C, FW855C, FW860P, FW880P and FW880W

---

Pos 248 - 4822 402 10621 Push Catch  
Pos 249 - 4822 402 11245 Bracket, Left  
Pos 250 - 4822 402 11246 Bracket, Right

REMARKS : Modified parts have been implemented in production from week 9835 onwards.

**09.04** TYPENUMBER(S): **FW392C, FW395C**

INFORMATION : Correction to the Service Manual, Power Board – chapter 11-2  
The item number for the Mains Transformer should read 5011 instead of 5001.

REMARKS :

**09.05 TYPENUMBER(S): FW538, FW850C, FW855C, FW860P, FW880P, FW880W**

- SYMPTOM** : **IRIS CODE 2 7 2 8**  
During digital optical recordings from the above mentioned Mini Systems to a CD-Recorder (i.e. FW538 to CDR538), "DIG" flashes on the CDR, indicating a communication error.  
The problem usually occurs when recordings are started immediately after switching to an analog source (i.e. Tuner or Tape).
- CURE** : **Customer is advised to follow the instructions for CD-Recordings, given in Service Newsletter AS98.08.04.**
- REMARKS** : When switching to an analog source, the Mini System will reset the CD-part and mute the digital output signal for about 130ms. This mute is interpreted as communication error and causes a stop of the CD-Recording.

**09.06 TYPENUMBER(S): FW670P**

- SYMPTOM** : **IRIS CODE 1 5 5 3**  
In CD-mode the beginning part of each track is muted.  
The time constant for releasing the mute signal is too long.
- CURE** : Replace capacitor 2550 (2,2µF) on the Combi AF-part by a capacitor of 1µF (4822 124 40242).
- REMARKS** :

**09.07 TYPENUMBER(S): FW730C, FW750C, FW770P, FW780P, FW790P**

- INFORMATION** : The set does not read a specific CD:  
"Ready to Go, Women of the 90's" (74321 568712 BMG Ariola).  
  
This happens on versions with the CDC3-DH module only.  
The problem can be solved by changing capacitor 2820 from 180pF to 330pF or adding a capacitor of 150pF in parallel to resistor 2820.
- REMARKS** : The CDC3-DH module can be identified by the printed board codenumber "3104 113 3109", located on both sides of the CDC3-board.

**09.08** TYPENUMBER(S): **MC135**

SYMPTOM : **IRIS CODE 1 5 1 0**

The set does not work at all.

CURE : One possibility of error is that leads of components on the Pre-amp board are too long. When the PCB is bent due to mechanical tensions, the leads might touch the metal bracket and short-circuit certain parts of the electronics.

Take care to cut the leads of replaced components as short as possible.

REMARKS : In course of production the lead cutting machine has been adjusted for minimum lead-length, and a piece of rubber has been added between the Pre-amp board and the metal bracket.

Published by:  
Service Department Portable Audio



LINE OF BUSINESS PORTABLE AUDIO

# SERVICE NEWSLETTER

**07.01** TYPENUMBER(S): **AZ1020**

INFORMATION : In course of production, following modifications have been implemented:

1. Prevent residual images on LCD in tape mode  
Resistor 3863 changed to 470 $\Omega$  (4822 116 83883)
2. Improved muting function in tuner search mode  
Resistor 3400 changed to 4.7k $\Omega$  (4822 116 52283)
3. Improved sound quality  
Capacitors 2301 and 2302 changed to 22nF (4822 121 70619)  
Resistors 3303 and 3304 changed to 820 $\Omega$  (4822 116 52231)

REMARKS :

**07.02** TYPENUMBER(S): **AZ1200, AZ1202**

INFORMATION : In order to reduce the distortion of CD-recordings, following modification has been implemented in production:

1. Resistors 3529 and 3530 changed to 22k $\Omega$  (4822 116 52257)
2. Resistors 3578 and 3579 changed to 22k $\Omega$  (4822 116 52257)

REMARKS :

**07.03** TYPENUMBER(S): **AZ2000**

INFORMATION : Correction to the mechanical partslist (Exploded View diagram):  
The service codenumber of item 444 should read:  
4822 442 01499 Cabinet-Top (not for /17)  
4822 442 01689 Cabinet-Top (for /17 only)

REMARKS :

**07.04** TYPENUMBER(S): **AZ7381, AZ7382, AZ7383, AZ7384, AZ7385, AZ7386, AZ7387, AZ7388, AZ7481, AZ7482, AZ7483**

**INFORMATION** : Due to delivery problems of the 4Mbit DRAM IC, the printed board of the above mentioned sets had to be changed from "PB2" to "PB2+".

The major difference between these two boards is the number and size of the DRAMs used: While PB2 is designed for two DRAMs (2x4Mbit max.), PB2+ can only handle one DRAM (1x16Mbit max.).

As a result the ESA buffer of sets with PB2+ will now store 43.2s of music (technical value). The commercial values of 12s for AZ738x resp. 25s for AZ748x remain untouched.

PB2+ is already known from Mable Platform 5A – AZ7582, AZ7583. For servicing please refer to the following Service Manuals:

Board	12-digit PB-code	DRAM	Service Manual
PB2	3103 303 3394.x	7810 + 7811	4822 725 26021
PB2+	3103 303 3406.x	7811	4822 725 26022

**REMARKS** : The 12-digit PB-code is located on the component side of the board.

**07.05** TYPENUMBER(S): **AZ7381, AZ7382, AZ7383, AZ7384, AZ7385, AZ7386, AZ7387, AZ7388, AZ7481, AZ7482, AZ7483, AZ7582, AZ7583**

**SYMPTOM** : **IRIS CODE 2 1 2 1**  
Ni-Cd battery pack cannot be recharged.

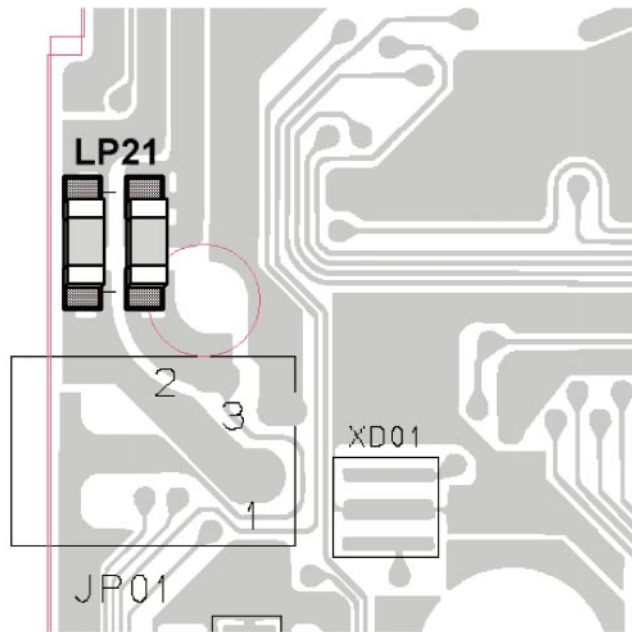
**CURE** : The ACTUATING PIN-CHARGE (item 431) does not connect properly. The pin has to be replaced by a modified one – 4822 535 10522.

**REMARKS** : New part has been used in production from week 9809 onwards.

**07.06** TYPENUMBER(S): **AZ9898**

SYMPTOM : **IRIS CODE D 1 1 7**  
Short battery lifetime (less than 40 min. with some Alkaline batteries).

CURE : Short battery lifetime is caused by high internal impedance of some Alkaline batteries. It can be improved by the following modification:  
1. Replace LD09 by a 10Ω resistor (4822 051 30109)  
2. Replace MPU IC QM03 by the updated version (4822 209 17367)  
3. Remove filter LP21  
4. Add 2 SMD jumpers (4822 051 10008) at position LP21



REMARKS : Above modification is implemented in production with production LOT number "21", production code "MZ01 xxxx21xxxx" onwards.

Published by:  
Service Department Audio Systems



LINE OF BUSINESS AUDIO SYSTEMS

# SERVICE NEWSLETTER

**08.01** TYPENUMBER(S): **AS660C, AS665C, AS760C, AS765C**

**INFORMATION** : The play button of the tape mechanism can be activated even in standby mode. If the button is pressed the tape will move, but no sound is audible via the Loudspeakers.  
This problem can be solved by changing resistor 3510 on Front board from 4,7k $\Omega$  to 1k $\Omega$  (4822 050 11002).

**REMARKS** : Above modification has been implemented in production from week 9832 onwards.

**08.02** TYPENUMBER(S): **CDR538, CDR560, CDR760**

**SYMPTOM** : **IRIS CODE F 5 6 1**  
Stops recording when connected to CD713, CD723 or CD753 via digital in/out.

**CURE** : On manual recordings the digital output signal of the above mentioned CD players is muted for a short time during start-up. The mute causes a stop of the CDR recorder.  
The problem can only be solved by a software upgrade for IC7322. Service codenumber reads 4822 900 11306.

**REMARKS** : The problem does not occur when using the CD-sync function.  
  
New software has been implemented in production from week 9841 onwards. Software program version reads V2.1 (4822 900 11306) and can be applied in CDR538, CDR560 and CDR760 recorders.



**08.03** TYPENUMBER(S): **CDR538, CDR560, CDR760, CDR765, FW538**

- SYMPTOM : **IRIS CODE F 5 5 6**  
Howling occurs during analog recording from FW538 to one of the above mentioned CDRs when the user has accidentally switched the source of FW538 to AUX.
- CURE : The problem is caused by a “closed loop” which is formed via CDR line-out → FW538 AUX-IN → FW538 line out → CDR line-in. When the REC-level is adjusted to above a certain level howling occurs. This is the same phenomenon as known from recordings via microphone.
- There is no other solution available as to advise the customer:  
**Do not select the AUX-mode on the FW538 during analog recording!**
- REMARKS : An addendum sheet will be added to the Instruction For Use.

**08.04** TYPENUMBER(S): **CDR538, CDR560, CDR760, CDR765**

- INFORMATION : Recording from FW538 (CD-Changer)  
Customer is advised to apply the following instructions:

**To duplicate a CD via [CD SYNCRO] or [CD SYNC] function**

Make sure that the digital connection has been completed. Using the CD SYNCRO button on the CD Recorder it will allow to make a duplicate of the desired CD.

- 1 Make sure the CDR- or CDRW-disc is absolutely free of scratches and dust particles.
- 2 Load the blank CD Recordable (Digital Audio) disc into the CD Recorder and the original CD into the mini system FW538.
- 3 Press SOURCE on the CD Recorder to select DIG OPTICAL mode.
- 4 Press CD SYNCRO on the CD Recorder.
  - CD SYNC, SYNC appears on the display.
  - RECORD starts flashing.
  - If now DIG starts flashing, the digital connection is incorrect. If DIG remains flashing check if there is an input signal or STOP the CDR-recorder and press OPEN/CLOSE on the CD-changer and start again at step 3.
- 5 Press PLAY on the mini system to start recording.
  - RECORD stops flashing.

**!! Do not change source on the CD Recorder or mini system during CD Synchro recording.**

**!! Do not press PAUSE, PREVIOUS, NEXT or SEARCH button during CD Synchro recording.**

When recording is completed, the display will show UPDATE.

Customer needs to finalise the recorded disc before he can play it on a regular (no recording) CD player.

## To record CD tracks one by one

Make sure that the digital connection has been completed.

- 1 Make sure the CDR- or CDRW-disc is absolutely free of scratches and dust particles.
- 2 Load a blank CD Recordable (Digital Audio) disc into the CD Recorder and the original CD into the mini system.
- 3 Press SOURCE on the CD Recorder to select DIG OPTICAL mode.
- 4 Press AUTO/MANUAL on the CD Recorder to select AUTO.
  - The track numbers are increased automatically.
- 5 Press PLAY on the mini system FW538.
  - This is to verify whether the disc and track are correct.
- 6 Press PREVIOUS on the mini system FW538.
  - It will jump to the beginning of the current track.
- 7 Press PAUSE on the mini system FW538.
  - Playing of the track is temporary interrupted.
- 8 Press RECORD on the CD Recorder
  - WAIT appears on the display
  - RECORD starts flashing.
- 9 Press PLAY on the CD Recorder and the mini system simultaneously to start recording
  - RECORD stops flashing.
- 10 Press STOP on the CD Recorder and the mini system to stop recording.
  - When recording is completed, the display will show UPDATE.
- 11 Repeat steps 5 to 10 for new tracks.

You need to finalise the recorded disc before you can play it on a regular (no recording) CD player.

**!!** *Customer can program the track sequence he desires from a particular disc. Programming of tracks from more than one disc is not advisable.*

REMARKS :

**08.05 TYPENUMBER(S): CDR538, CDR560, CDR760, CDR765**

**INFORMATION** : When an external CD player or CD changer is in PAUSE function and NEXT or PREVIOUS keys are pressed the CDR recorder can get in a recording function which records many tracks on a disc with a muted signal and all tracks are about 3 or 4 seconds long.

In case of recording from CD-changers:

To avoid long pauses or a full recorded disc with silence the CD-recorders CDR765, CDR760, CDR560 and CDR538 have a 3 seconds auto stop mode built in. As CD changers most often need more than 3 seconds to start or switch over from one disc to another the muted input signal is recorded and automatically stopped.

To prevent this fault condition the recording has to be executed in the following way:

**Recording one disc:**

Start recording with the CD-sync function, digitally connected.

**Recording a program over more than one disc:**

Select the analog input with SOURCE and start recording manually by pushing RECORD & PLAY sequential on the CD-recorder. After that Start playing the CD-changer.

**REMARKS** :

**08.06 TYPENUMBER(S): CDR765**

**SYMPTOM** : **IRIS CODE 7 5 5 3**  
Shocksensitivity CD Player part

**CURE** : Under certain conditions it may occur that the CD-Player module is very sensitive to shocks. This is very annoying in case of recording discs, because this hick-up will be recorded on the new disc. By using several separates composed to a tower it is advised to place the recorder on top of it.  
If this does not solve the problem the damping grommets of the CDM12.4 (items 42, 43, 44, 45 in the exploded view on page 5-3 of the Service Manual) have to be replaced by 4822 404 10987.

**REMARKS** : New damping grommets have been implemented in production from week 9842 onwards.

**08.07** TYPENUMBER(S): **FW306, FW325, FW326, FW52C, FW62C, FW316C, FW318C, FW338C, FW339C, FW346C, FW356C, FW358C, FW359C**

SYMPTOM : **IRIS CODE 2 5 1 X**

When during High Speed Dubbing (HSD) the volume is adjusted to "MIN", the set may become muted permanently.  
In this case the volume control will not operate anymore until the set is unplugged and reconnected to the mains supply.

CURE : The problem can only be solved by a software upgrade of microprocessor 7401.  
The service codenumbers for the new processors are as follows:  
a) 4822 900 11282 for FW52C, FW62C, FW316C, FW318C, FW338C, FW339C  
b) 4822 900 11283 for FW306, FW325 and FW326  
c) 4822 900 11284 for FW346C, FW356C, FW358C, FW359C

REMARKS :

**08.08** TYPENUMBER(S): **FW388V**

INFORMATION : To solve the problem "No Disc" displayed when a disc is loaded, following components on the Servo board have to be changed:  
a) change 3867 from 22k $\Omega$  to 470k $\Omega$  (4822 116 52285)  
b) replace jumper 9022 with resistor 3880 470 $\Omega$  (4822 116 83883)

REMARKS : Above modification has been implemented in production from week 9837 onwards.

**08.09** TYPENUMBER(S): **FW388V**

INFORMATION : To solve the problem "CD interrupted due to mains failure", change elcap 2232 on the Combi board (Power supply part) to 6800 $\mu$ F 20% 25V (4822 124 11581).

REMARKS : Above modification has been implemented in production from week 9838 onwards.

**08.10 TYPENUMBER(S): FW570C, FW775P**

**INFORMATION :** The 2 tweeters at the upper part of the 4-way Loudspeaker Box are dummies and for ornamental reasons only. The piezo tweeters are mounted behind the Front cabinet (see fig. 1) instead of the top part. There is no acoustical difference between mounting piezo tweeters on top or on front.

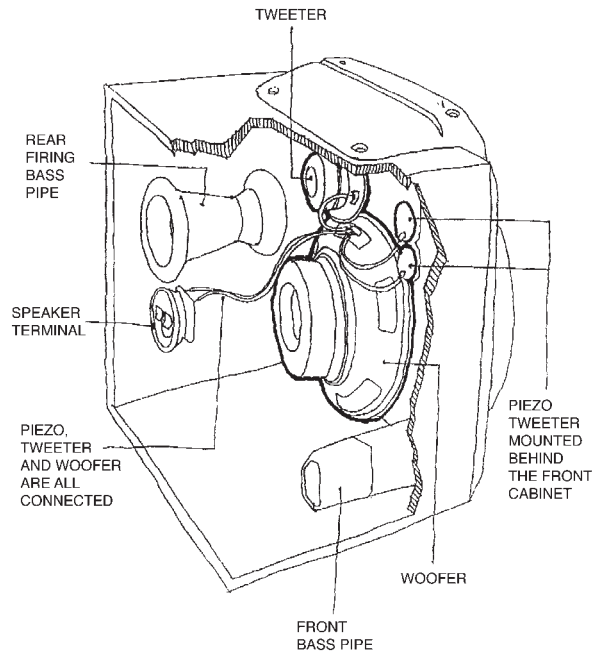


FIG. 1 CUT-OUT VIEW OF SPEAKER BOX-E

**REMARKS :**

**08.11 TYPENUMBER(S): FW754P, FW765P, FW775P, FW795W**

**INFORMATION :** Following modification on the Front Display board will increase the brightness of the DPL LEDs (NORMAL, PHANTOM, 3 STEREO):  
Change 3545 from 390Ω to 220Ω (4822 117 11503)  
Change 3546 from 390Ω to 220Ω (4822 117 11503)  
Change 3591 from 390Ω to 220Ω (4822 117 11503)

**REMARKS :** Above modification has been implemented in production from week 9844 onwards.

Published by:  
Service Department Portable Audio



LINE OF BUSINESS PORTABLE AUDIO

# SERVICE NEWSLETTER

**06.01** TYPENUMBER(S): **AJ3930**

**SYMPTOM** : **IRIS CODE C 5 4 1**  
Noise is audible when microprocessor IC 7400 has been replaced.

**CURE** : When IC 7400 has been replaced by the latest software version (4822 209 32849), the following 2 parts should be added:  
2253 4822 121 51387 10nF/16V 20%  
6251 4822 130 34173 Zener diode 5.6V

**REMARKS** : Above mentioned components are located on the CD board.  
For details see Service Information A93-584 (4822 725 24559).

**06.02** TYPENUMBER(S): **AJ3940**

**SYMPTOM** : **IRIS CODE A 1 6 X**  
Disc clamper is loosen out of CD door.

**CURE** : The latch which fixes the clamper on the CD Door is out of specification.  
Service solution is to add glue onto the latch.

**REMARKS** : Mould of CD Door has been modified and has been implemented in production from week 9838 onwards.

**06.03** TYPENUMBER(S): **AQ6688**

**INFORMATION** : Additional information to Service Manual:  
The Cassette Door Assembly 4822 443 11087 includes the following items: 4, 6, 7, 9, 10, 15, 18, 19, 30, 31, 32, E3

**REMARKS** :

**06.04** TYPENUMBER(S): **AW7720, AW7730, AW7820**

INFORMATION : If the telescopic aerial 4822 303 30423 is not available, it can be replaced by 4822 303 14065.  
Mount the new aerial with an M3 hexagonal nut.

REMARKS :

**06.05** TYPENUMBER(S): **AZ1000, AZ1001, AZ1002**

INFORMATION : Correction to Service Information A98-560 (4822 725 26175):  
The service codenumber of the CD-Mechanism "CD94V5" should read 4822 691 10776.

REMARKS :

**06.06** TYPENUMBER(S): **AZ1200, AZ1202, AZ1205**

SYMPTOM : **IRIS CODE A 1 6 X**  
Tuning cord loose because one pulley is loose from its axle.

CURE : The diameter of the centre hole of pulley is 0.2mm larger than the specification. As a service solution, we suggest to add a fibre washer on the top of pulley and melt the axle with a soldering iron in order to secure the pulley.

REMARKS : The mould of the pulley is modified and implemented in production from week 9839 onwards.

**06.07** TYPENUMBER(S): **AZ1208, AZ1209**

SYMPTOM : **IRIS CODE 2 1 5 4**  
Remote control does not work when battery voltage is low.

CURE : Change resistor 3452 on front board from 220Ω to 33Ω (4822 116 52191).

REMARKS : Modification is implemented in production from week 9836 onwards.

**06.08** TYPENUMBER(S): **AZ2407**

INFORMATION : In course of production, resistor 3452 has been changed from 220Ω to 33Ω (4822 116 52191).  
Reason: Improve sensitivity of remote control at battery low condition.

REMARKS :

**06.09** TYPENUMBER(S): **AZ726x, AZ727x, AZ736x, AZ737x, AZ746x, AZ747x, AZ756x, AZ757x**

**INFORMATION** : A survey of available service codenumbers for “Battery Door” and “Door Hinge” is given below:

BATTERY DOOR	DOOR HINGE	COLOUR	MODELS
assembly 4822 443 10197		DARK GREY SR03	AZ7366, AZ7463, AZ7466, AZ7467
assembly 4822 443 10236		PHILIPS BLACK	AZ7260, AZ7261, AZ7263, AZ7265, AZ7266, AZ7268, AZ7360, AZ7361, AZ7363, AZ7460, AZ7461, AZ7462, AZ7464
4822 443 10195	4822 417 11347	GREY SR02	AZ7362, AZ7365, AZ7465
assembly 4822 443 10307		PHILIPS BROWN 003	AZ7262, AZ7264, AZ7267
4822 443 10579	4822 417 11348	DARK RED GREY	AZ7565
4822 443 10581	4822 417 11347	PEARL BLACK	AZ7271, AZ7272, AZ7274, AZ7275, AZ7278, AZ7333, AZ7337, AZ7368, AZ7372, AZ7453, AZ7474, AZ7562, AZ7566, AZ7576
4822 443 10651	4822 417 11343	DARK BLUE GREY	AZ7376, AZ7457, AZ7476
assembly 4833 443 10508		SILVER	AZ7433, AZ7562/..S, AZ7465/..S
4822 443 10731	4822 417 11356	SILVER (SP570)	CD15
4822 443 10667	4822 417 11354	BLUE	AZ7443, AZ7466/..B
4822 443 10685	4822 443 10689	GREEN	AZ7466/..G
assembly 4822 443 10807		SILVER	AZ7466/..S
4822 443 10691	4822 443 10694	PEARL YELLOW	AZ7466/..L
assembly 4822 443 10892		PEARL WHITE	AZ7331

**REMARKS** :

**06.10** TYPENUMBER(S): **AZ7381, AZ7382, AZ7383, AZ7481, AZ7482, AZ7483**

**INFORMATION** : Two different printed boards have been used in these models.  
 “PB3”: Assembled with combined headphone/RC-socket  
 “PB2”: Assembled with standard headphone-socket  
 As the headphone sockets differ in diameter (6.6mm vs. 6mm),  
 different cabinet/bottom parts are in use.  
 The spare parts are delivered with 6mm hole only.  
 For older sets the hole has to be enlarged manually.

**REMARKS** : PB2 is used in sets with factory change code KT02 onwards.



**06.11** TYPENUMBER(S): **AZ8262, AZ8267**

INFORMATION : Correction to Newsletter PA97.05.06:  
4822 459 04783 is not the Front Cabinet of AZ8262 and AZ8267.  
There is no Front Cabinet available for AZ8262 and AZ8267.

REMARKS:

Published by:  
Service Department Audio Systems



LINE OF BUSINESS AUDIO SYSTEMS

# SERVICE NEWSLETTER

**07.01** TYPENUMBER(S): **GENERAL**

SYMPTOM : **IRIS CODE 2 1 3 X**  
 Various failures disappear when the set is opened or when connectors are reconnected – see Service Newsletter AS97.03.02.

CURE : Replacement of connector wires as given in Service Newsletter AS97.03.02.

REMARKS : Reliability of EH-type connector was bad due to wrong material used in the connector.  
 3 main actions were taken at the production centers from production week 9830 onwards:  
 1. Material Phosphor Bronze is used for the connector  
 2. Split length of the wires has been increased from 20mm to 35mm in order to improve the flexibility of the wire  
 3. Training of operators on proper insertion and removal of connectors

**07.02** TYPENUMBER(S): **AS440/xxG, AS445/xxG, AS540/xxG**

INFORMATION : Correction to Service Manuals 4822 725 24929 and 4822 725 24936. On page 74 the service codenumbers for the button sets of the tape decks are mixed up. Correct is:

pos.	codenumber	description
426	4822 410 62619	Button set deck B
431	4822 410 62621	Button set deck A

REMARKS :

**07.03** TYPENUMBER(S): **AS785C/41**

INFORMATION : From production week 9836 onwards, the Instruction For Use has been changed to 4822 736 16482.

REMARKS :

**07.04 TYPENUMBER(S): CDC751/17B**

**INFORMATION** : From production week 9840 onwards, the mains cord has been changed from 4822 321 10849 to 4822 321 11464.  
Reason: Meet the new UL requirement for USA/Canada, valid from December 1998 onwards.

**REMARKS** :

**07.05 TYPENUMBER(S): FW48/37, FW340C/37, FW315/37, FW345/37, FB209W/17**

**INFORMATION** : From production week 9840 onwards, the mains cord has been changed from 4822 321 10882 to 4822 321 11466.  
Reason: Meet the new UL requirement for USA/Canada, valid from December 1998 onwards.

**REMARKS** :

**07.06 TYPENUMBER(S): FW52C, FW62C, FW72C, FW316C, FW318C, FW338C, FW339C, FW346C, FW356C, FW358C, FW359C, FW510C, FW520C, FW530C, FW535C, FW538, FW550C, FW560C, FW570C, FW575C, FW710C, FW725C, FW730C, FW745C, FW750C, FW754P, FW755P, FW765P, FW770P, FW775P, FW780P, FW790P, FW795W, FW850C, FW855C, FW860P, FW880P, FW880W**

**INFORMATION** : During production (around July 1998), elcap 2891 on the CD main board has been changed from 10µF to 22µF (4822 124 81152).  
Reason: Avoid distorted sound during the initial 200 - 300 milliseconds after starting the disc.

Service Test Program – Service Play Test  
Due to the changed delay time, error codes like E1003 & E1011 might also be displayed on some good sets. This is caused by the test software which checks the status of the inner switch after certain milliseconds.

**REMARKS** : The Service Test Program will be adapted in the next software mask.

**07.07 TYPENUMBER(S): FW355C**

**INFORMATION** : **IRIS CODE 3 5 7 5**  
CD stops playing after some time due to a defective laser diode.  
The failure is most probably caused by ESD damage.

As preventive action additional ESD measures (storage, handling and packaging) have been implemented on the production floor in weeks 9813 to 9827.

**REMARKS** :

**07.08** TYPENUMBER(S): **FW375P/37, FW385P/37**

INFORMATION : Correction to the Service Manual, Power 4 Module  
The service codenumber for the Rucksack for 4 Loudspeaker terminals (Matrix Surround) reads 4822 426 10608.

REMARKS :

**07.09** TYPENUMBER(S): **FW725C, FW730C**

SYMPTOM : **IRIS CODE 1 5 4 1**  
Transformer hum is too high.

CURE : Hum is due to high exciting current of about 95mA.  
Improved mains transformer (item 1008) of less than 85mA exciting current has been introduced from week 9810 onwards. It can be recognized by the week code on the top of the mains transformer body.

REMARKS :

**07.10** TYPENUMBER(S): **FW725C, FW730C**

SYMPTOM : **IRIS CODE 1 1 1 X**  
Mains transformer 38V coil is defective.

CURE : Unintentional bending of pin 9 and 10 causes the wire to break because the wires are wound too tight around the pins.

Process improvement has been introduced by the supplier from week 9810 onwards. Improved transformer can be recognized by the week code on the top of the transformer body.

REMARKS :

**07.11** TYPENUMBER(S): **FW730V**

INFORMATION : Correction to the Mechanical partslist:  
The service codenumber for pos 239 should read 4822 442 00845.

REMARKS :

Published by:  
Service Department Portable Audio



LINE OF BUSINESS PORTABLE AUDIO

# SERVICE NEWSLETTER

**05.01** TYPENUMBER(S): **AJ3940**

INFORMATION : Correction to the Electrical Partslist:  
The Service codenumber of the Voltage Selector for /01 version  
should read 4822 272 10366.

REMARKS :

**05.02** TYPENUMBER(S): **AZ1412, AZ1518**

SYMPTOM : **IRIS CODE 6 5 7 5**  
After switching the set ON, the "POP" indicator is activated, but there  
is no "POP" sound effect.

CURE : The problem is caused by a software bug.  
There are two solutions available:

Short term (service) solution:

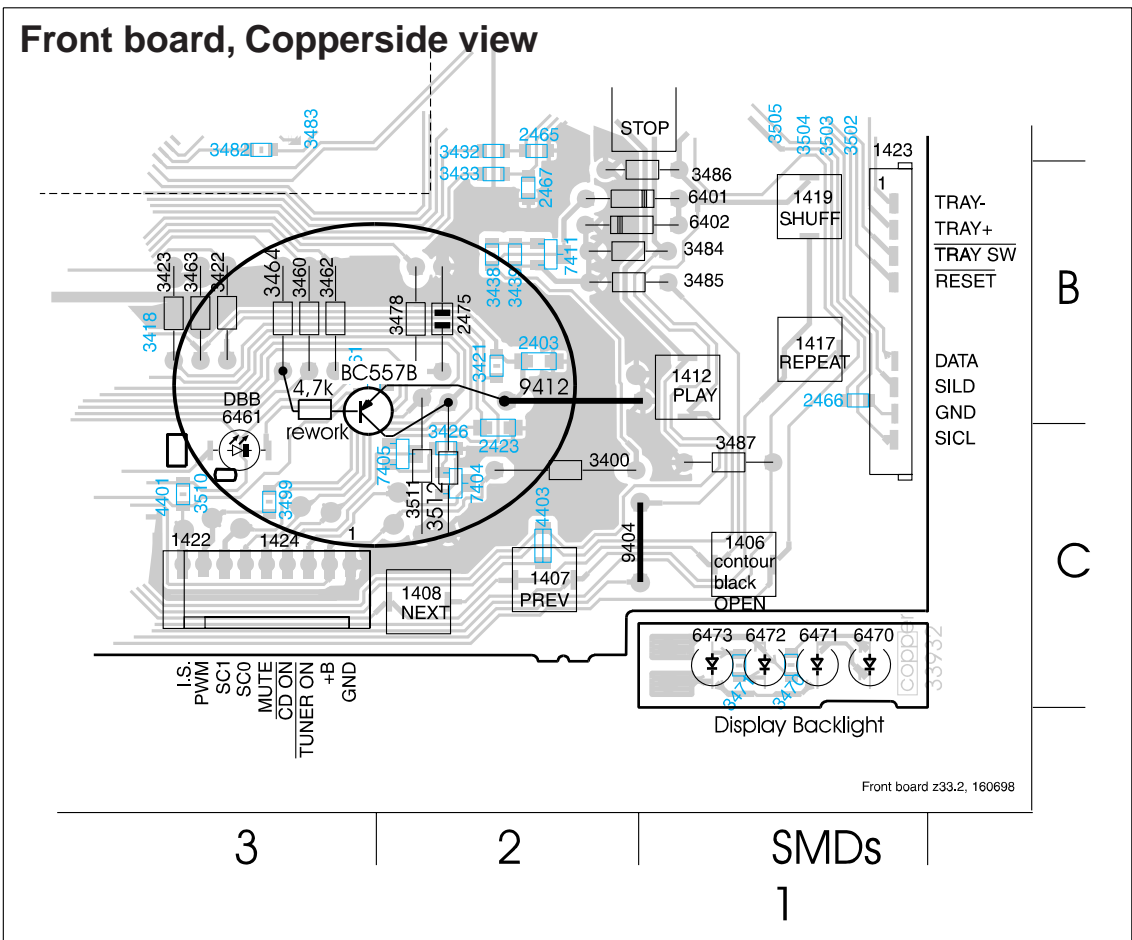
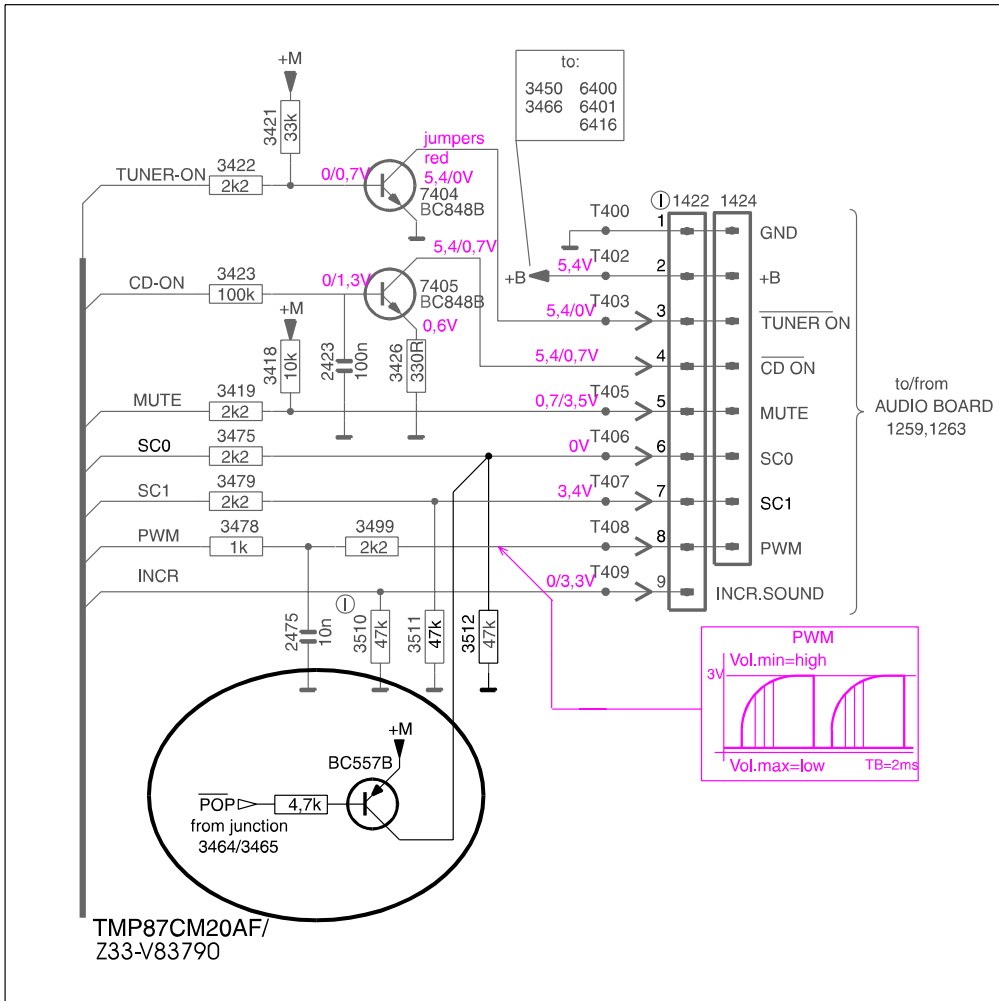
Add a transistor BC557C (4822 130 42231) and a resistor 4.7kΩ  
(4822 116 52283). Connect the collector (C) of BC557B to the  
junction of 3512 and 3475, the emitter (E) to +M and the base (B) via  
a 4.7kΩ resistor to junction of 3464 and 3465.

For details on this rework, see circuit and layout diagram below.

Long term solution:

Replace microprocessor IC 7400 by 4822 209 17228.

REMARKS : Short term solution has been implemented in production from week  
9830 onwards. New microprocessors will be used from week 9842  
onwards.



**05.03** TYPENUMBER(S): **AZ2000**

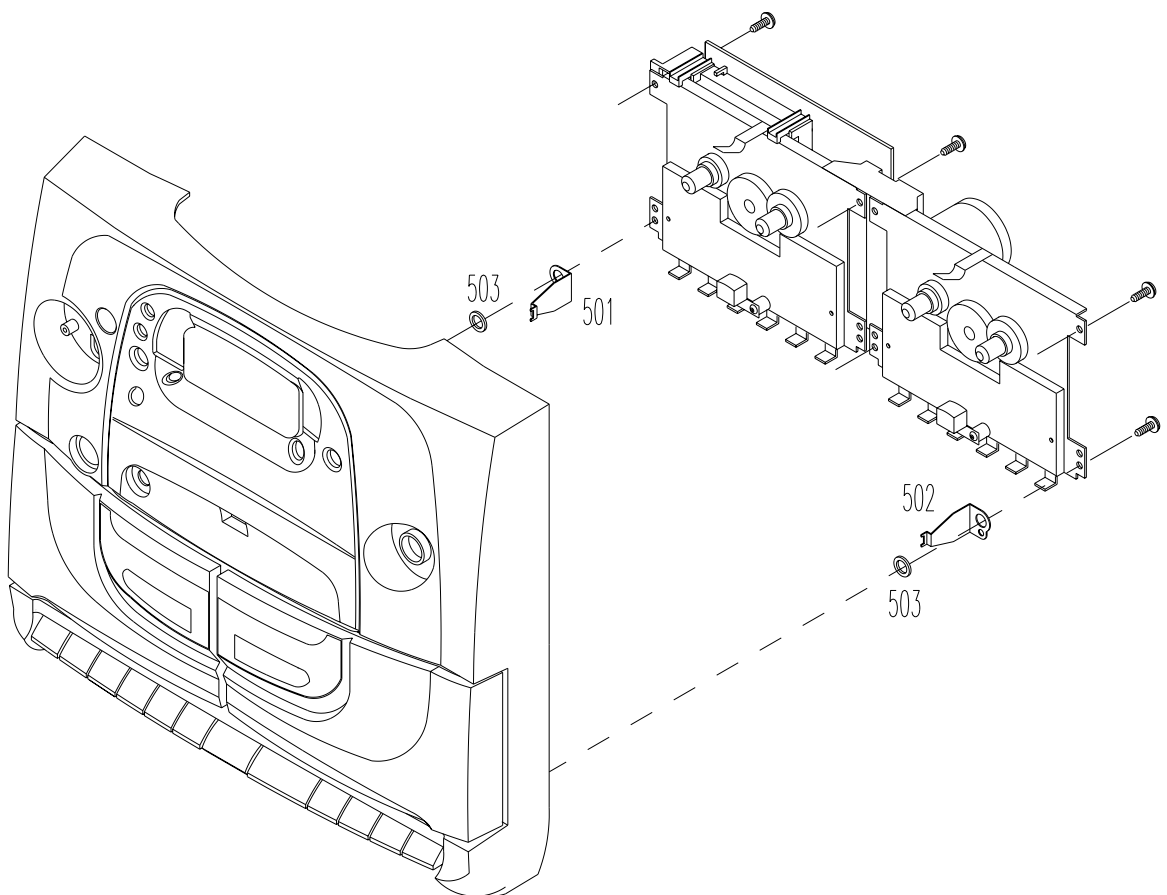
**INFORMATION** : Correction to the Electrical Partslist:  
Item 2304 (22nF) on the Combi Board should be a polyester film capacitor. Service codenumber is 4822 121 70619.

**REMARKS** :

**05.04** TYPENUMBER(S) **AZ2700, AZ2710, AZ2725**

**INFORMATION** : Strong pressure applied on the edges can loosen the Cassette Door.  
To improve this behaviour two metal brackets have been added to protect the hinges. For details see diagram below.

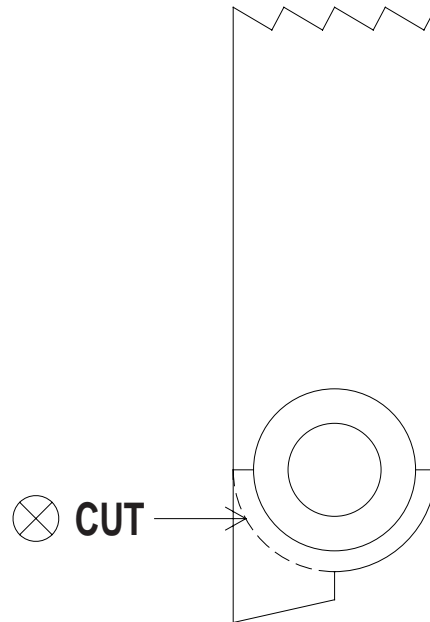
**REMARKS** : The modification has been implemented in production from week 9836 onwards.



**05.05** TYPENUMBER(S): **AZ8310, ND7500, RD7050**

**INFORMATION** : The Handle Bracket Left (pos. 34, 4822 498 10501) is no longer available as service spare part. We suggest to use Handle Bracket Right (pos. 36, 4822 498 10502) as a substitute.  
The stopper end has to be cut as shown in the diagram below.

**REMARKS** :





Published by:  
Service Department Audio Systems



LINE OF BUSINESS AUDIO SYSTEMS

# SERVICE NEWSLETTER

**06.01** TYPENUMBER(S): **70FW2019**

**INFORMATION** : Correction to the Service Manual, Accessories page 4.  
Below mentioned codenumbers refer to the “flat cables for the system connectors” and not to the “connectors” itself, as stated in the manual.

Service code	Description
4822 267 31371	flat cable for system connector 1
4822 267 31372	flat cable for system connector 2
4822 267 31373	flat cable for system connector 3

**REMARKS** :

**06.02** TYPENUMBER(S): **AS660C, AS665C, AS670C, AS675C, AS760C, AS765C, AS780C, AS785C, FW48, FW58, FW315C, FW322C, FW332, FW335, FW340C, FW342C, FW345C, FW352C, FW355C, FW361C, FW365C, FW375P, FW385P, FW391C**

**INFORMATION** : Following spare parts for the tape mechanism have been added:

pos.	Service code	Description
61	4822 528 11275	Flywheel assembly
62	4822 532 13047	Washer

**REMARKS** :

**06.03** TYPENUMBER(S): **AS670C, AS675C, AS780C, AS785C**

**INFORMATION** : In order to deactivate the DBB LED in OFF mode, change resistor 3525 from 33kΩ to 10kΩ 5% 0,5W 4822 116 83864.

**REMARKS** :

**06.04 TYPENUMBER(S): CD887V**

INFORMATION : Correction to the parts list:

Servo Board:

Cap 2843 should be 4822 122 33848 47pF 5% 50V instead of 22pF

Cap 2845 4822 122 33195 100pF 10% 50V is added (missing)

Cap 2856 and 2857 are deleted (not required)

MPEG Board:

The service codenumber for the complete MPEG Board is

4822 214 12851.

REMARKS :

**06.05 TYPENUMBER(S): CDR870**

INFORMATION : Correction to the Service Manual, Service tools page 10.

The service codenumber for the maximum diameter disc (58.0mm) should read 4822 397 60141 instead of 4822 397 30144.

REMARKS :

**06.06 TYPENUMBER(S): FW316C/21/21M**

INFORMATION : The service codenumber for the Instruction For Use should read 4822 736 16179 instead of 3139 116 18140.

REMARKS :

**06.07 TYPENUMBER(S): FW332**

SYMPTOM : **IRIS CODE 1 1 5 2**

When using the remote control, the set sometimes switches to tuner mode (i.e. pressing NEXT in CD mode).

CURE : The problem is caused by the controller inside the remote control and occurs whenever 2 buttons are pressed simultaneously.  
The only solution is to replace the original remote control by another type, i.e. RC07801 (4822 219 10181).

REMARKS :

**06.08 TYPENUMBER(S): FW392C**

**SYMPTOM :** IRIS CODE 2 6 7 X

The CD tray opens at any of the undermentioned conditions:

- switching on the set
- starting the FM radio
- changing of input selection

**CURE :** The problem is caused by a software bug and can be solved by a software upgrade. New microprocessors are available under service codenumber 4822 900 11254.

**REMARKS :**

**06.09 TYPENUMBER(S): FR732, FR752**

**SYMPTOM :** IRIS CODE 1 1 5 2

The set reacts on remote control of other equipment.

**CURE :** The problem is caused by a software bug and can be solved by a software upgrade. New microprocessors (OTP) are available under service codenumber 4822 209 16956.

**REMARKS :** Above service solution will not be implemented in production.

**06.10 TYPENUMBER(S): FW780P, FW783P, FW788P**

**INFORMATION :** Correction to the Service Manual, Specification chapter 1-3.  
The power consumption for above mentioned sets is given as follows:  
< 2W at power off for /22  
< 16W at standby, FTD on (other versions)  
< 80W at 1/8 rated power out

**REMARKS :**



Published by:  
Service Department LOBPA Hong Kong



LINE OF BUSINESS PORTABLE AUDIO

# SERVICE NEWSLETTER

**04.01** TYPENUMBER(S): **AJ3925**

**INFORMATION** : Following parts are changed from production start onwards to improve distortion and amplification reserve:

Capacitor 2210 and 2213 are changed to 4.7nF (4822 126 11714)  
Resistor 3201 and 3204 are changed to 6.8kΩ (4822 116 83961)  
3202 and 3205 are changed to 27kΩ (4822 116 52264)  
3221 and 3222 are changed to 18kΩ (4822 116 52251)

**REMARKS** : Changes are applied to sets of new generation with production code "KT-02" only.

**04.02** TYPENUMBER(S): **AJ3940**

**INFORMATION** : **Correction to the Instruction Fof Use:**

To set **WEEKEND SLEEPER**, only following steps are necessary:

1. Select the alarm you wish to deactivate by pressing the **ALM 1** or **2** button. Within 5 seconds the display shows the set alarm time. Briefly press the **WEEKEND SLEEPER** once.

→ If the weekend sleeper is activated, **zz** will appear in the display for **ALARM 1** or **2**.

2. To cancel the weekend sleeper function, repeat step 1 until **zz** no longer appears in the display.

**REMARKS** : Errata sheet will be inserted from week 9831 onwards.  
The IFU will also be updated.

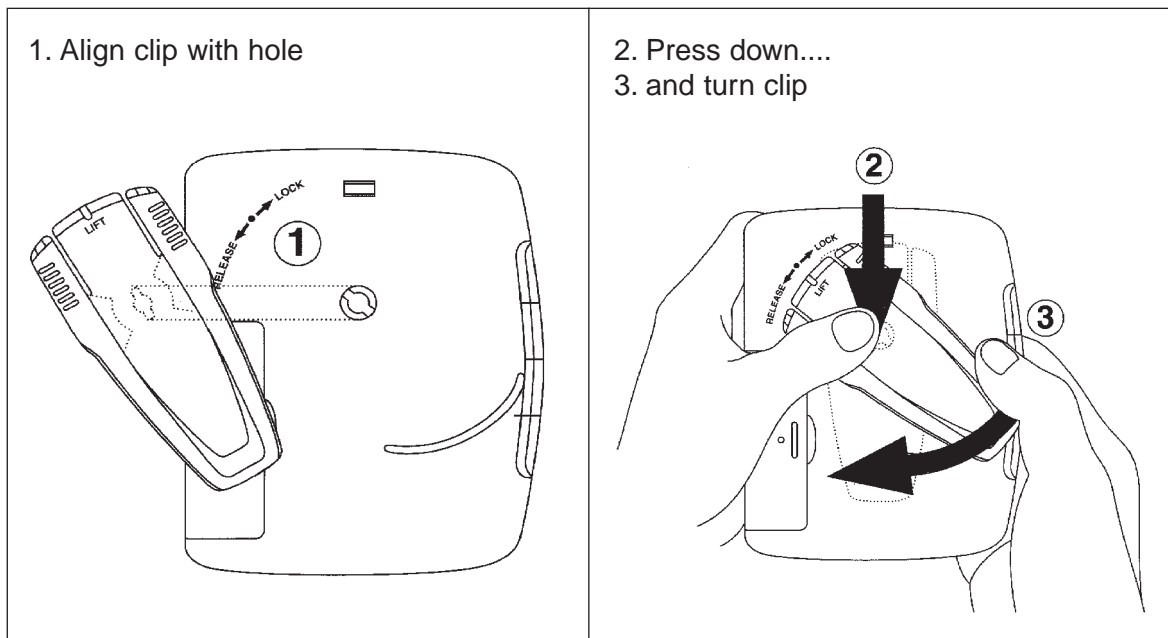
**04.03** TYPENUMBER(S): **AQ6485, AQ6581, AQ6585, AQ6681**

SYMPTOM : **IRIS CODE 2 1 6 X**

The Belt Clip is broken.

CURE : The belt clip will be broken if it is not properly pressed into the mounting hole on the rear cabinet before turning to LOCK position. The Belt Clip is available via service codenumber 4822 401 11734.

REMARKS : An addendum sheet with diagrams showing how to fix the Belt Clip was added to the set from week 9815 onwards. The belt Clip has also been modified (dimple added and letter "PUSH" engraved).



**04.04** TYPENUMBER(S): **AZ2000**

SYMPTOM : **IRIS CODE 2 5 4 4**

Pop noise is audible when Cassette buttons are pressed.

CURE : The problem can be solved by the following modification:  
Change 3302 from 4.7k $\Omega$  to 5.6k $\Omega$  (4822 116 52289)  
Change 3312 from 1k $\Omega$  to 8.2k $\Omega$  (4822 116 52303)  
Add Cap. 100 $\mu$ F/10V (4822 124 42446) connected (+) from base of 7263 and (-) to ground.

REMARKS : Modification is implemented in production from week 9828 onwards.

**04.05** TYPENUMBER(S): **AZ2000**

INFORMATION : Resistor 3575 is replaced by a jumper

REMARKS : Change is implemented from production start onwards.

**04.06** TYPENUMBER(S): **AZ2402, AZ2407**

INFORMATION : The Electrical partslist of ECO5 Tuner board is missing.  
It is given in following Service Informations:  
A98-562 4822 725 26185 for AZ2407  
A98-563 4822 725 26186 for AZ2402

Following service codenumber is also missing in the Electrical partslist: IC 7400 4822 209 16661 TMP87C22-AZ2402

REMARKS :

**04.07** TYPENUMBER(S): **CD6660, D6560**

INFORMATION : Correction to the Mechanical partslist:  
The service codenumber of item 74 (Eject Hook on the Tape Deck) should read 4822 403 30792.

REMARKS :

Published by:  
Service Department LOBPA Hong Kong



LINE OF BUSINESS PORTABLE AUDIO

# SERVICE NEWSLETTER

**03.01** TYPENUMBER(S): **AJ3920, AJ3925**

SYMPTOM : **IRIS CODE H 5 4 0**  
Noise is audible in stand-by mode.

CURE : Additional to newsletter issue PA98.01.01:  
In order to improve the distortion at maximum volume, capacitors  
items 2210 and 2213 are changed to 4.7nF (4822 126 11714).

REMARKS :

**03.02** TYPENUMBER(S): **AJ3925**

INFORMATION : From May 1998 onwards, the new CD board "CD97 MK2" and new  
CD-drive "CD94V5" are used.  
For the new generation a new Service Manual 4822 725 26193 will  
be published.

REMARKS : The production change code of the new generation is "KT02".

**03.03** TYPENUMBER(S): **AZ1111**

INFORMATION : Correction to mechanical partslist:  
The service codenumber of the Tuning Knob (pos. 407) should read  
4822 410 11843.

REMARKS :

**03.04** TYPENUMBER(S): **AZ1202, AZ1207, AZ1209**

SYMPTOM : **IRIS CODE 1 5 1 X**  
CD does not function.

CURE : The copper track at capacitor item 2836 peels off.

REMARKS : Capacitor 2836 is fixed by glue from production week 9819 onwards.



**03.05 TYPENUMBER(S): AZ1203, AZ1208, AZ1209**

**INFORMATION :** Correction to electrical partslist:  
On the Front board, the service codenumber of IC 7400 was changed to 4822 209 16811. 4822 209 15839 can still be used except for /14 versions.

**REMARKS :**

**03.06 TYPENUMBER(S): AZ1205**

**INFORMATION :** Correction to mechanical partslist:  
The service codenumber of the Tray-CD (pos. 437) should read 4822 418 10352.

**REMARKS :**

**03.07 TYPENUMBER(S): AZ1302, AZ1307, AZ1308, AZ1402, AZ1407, AZ1508**

**INFORMATION :** Correction to mechanical partslist:  
In the Exploded view diagram of the tape transport, the service codenumber of the Eject Hook (pos. 74) should read 4822 403 70968.

**REMARKS :**

**03.08 TYPENUMBER(S): AZ2415**

**INFORMATION :** Correction to mechanical partslist:  
The service codenumber of the Battery Spring (pos. 443) should read 4822 492 11566.

**REMARKS :**

**03.09 TYPENUMBER(S): AZ8051**

**INFORMATION :** Correction to mechanical partslist:  
The service codenumber of the Ornamental Foils of blue versions are wrongly stated. They should read:  
4822 466 10744 FOIL ORNAMENTAL, LEFT  
4822 466 10743 FOIL ORNAMENTAL, RIGHT

**REMARKS :**

**03.10 TYPENUMBER(S): AZ8055, AZ8056, AZ8057, AZ8068, AZ8075**

**INFORMATION :** The following mechanical part is now available.  
pos. 522 4822 410 11912 Volume Up/Down Button

**REMARKS :**

**03.11 TYPENUMBER(S): AZ8262, AZ8267, AZ8289**

INFORMATION : The following mechanical parts are now available.  
pos. 522 4822 410 11912 Volume Up/Down Button  
pos. 523 4822 410 11913 Tuning Up/Down Button

REMARKS :

Published by:  
Service Department LOBPA Hong Kong



LINE OF BUSINESS PORTABLE AUDIO

# SERVICE NEWSLETTER

In this special edition of the Service Newsletter Audio, instructions for lens cleaning and lubrication of various CD-drives are given. The drives have been spitted-up into two groups:

GROUP A : 4822 691 30278 CDM12.1  
          4822 691 30359 CDM12.3BL  
          4822 691 10487 CDM12.3BLC  
          4822 691 10615 VAM1201  
          4822 691 10665 VAM2103

GROUP B : 4822 691 30319 CD90V1Q  
          4822 691 10535 CD93V4  
          4822 691 10654 CD94V5T1

## WARNING !

### PRINCIPLE: AVOID CLEANING THE LENS !

Cleaning the lens is not completely harmless. Only if the lens is obviously polluted with fingerprints or soiled, it can be cleaned with a cleaning solvent.

The objective lens of the CD-mechanism is an optical component that is exposed to the environment. It is clear that the environment of a Juke-Box application is not comparable with normal home use. Permanent dust, steam or nicotine from cigarette smoke will (sooner or later) soil the lens and influence the playability of the system – Cleaning of the lens becomes necessary.

Analysis of exchanged CD-drives has shown, that in a considerable quantity of drives the malfunctions were caused by dirty lens. Before replacing a CD-drive it is therefore recommended to clean the lens and check the functionality of the system again.

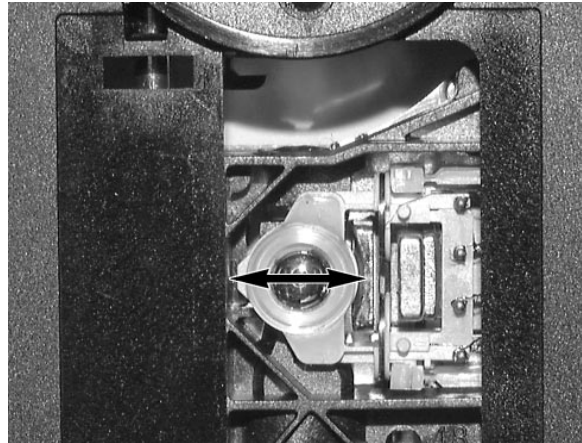
**02.01** TYPENUMBER(S): **GROUP A**

**INFORMATION : Cleaning the objective lens**

Before touching the lens it is advised to clean the surface of the lens by blowing clean air over it in order to avoid that little particles make scratches on the lens.

Because the material of the lens is synthetic and coated with a special anti-reflectivity layer, cleaning must be done with a non-aggressive cleaning fluid. It is advised to use lens cleaner "**KODAK LENS CLEANER CAT 176 71 36**", available in normal photo shops.

The actuator is a very precise mechanical component and may not be damaged in order to guarantee its full function. It is advised to clean the lens gently (don't press too hard) with a soft and clean cotton swab moistened with the special lens cleaner. The direction of cleaning must be in the way as indicated in the picture below.



**REMARKS : See also newsletter issues 58.01 and 96.09.01.**

**02.02** TYPENUMBER(S): **GROUP B**

**INFORMATION : Cleaning the Objective lens**

Cover a padstick with a piece of lens cleaning paper, i.e. "**KODAK CAT 154 2067**" or "**DUSTER TK-3**".

Put 2 to 3 drops of alcohol (99% or above) to the padstick.

Rotate it slowly and gently on the surface of the lens. The solvent will dissolve fingerprints, grease etc...

Finally the lens will be filled with the dirty cleaning solvent. Suck up the solvent with the edge of a piece of absorbing paper until the fluid has been removed. The remnants of the solvent will evaporate.

**REMARKS : Never use cleaning solvents containing isopropanol!**

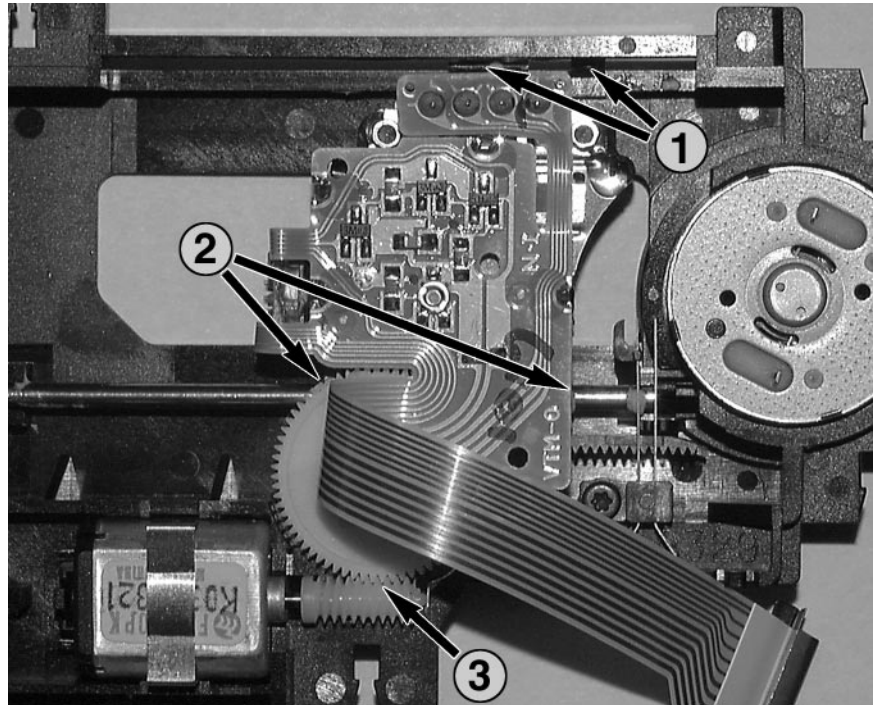
## 02.03 TYPENUMBER(S): GROUP A

### INFORMATION : Cleaning and lubricating instructions

Lubrication of the CD-drive is needed in case of symptom "skipping tracks". The reason can be dirt which sticks to the grease or the grease is getting aged.

Use grease "**Tribol 9890-2**" or equivalent.

Before greasing the mechanism first remove the old grease from the mechanism. Use a cotton swab dipped in alcohol to clean the mechanism.



#### **Cleaning the mechanism**

1. Clean the lower and upper sledge guidance plane (optical pick-up).
2. Clean the spindle shaft.
3. Clean the area between the worm gear, idler wheel and clamping spring.

#### **Lubricating the mechanism**

1. Put onto the upper sledge guidance plane one dot of grease on each side of the sledge. Move the sledge to the inner and outer position to spread the grease.  
Put onto the lower sledge guidance plane one dot of grease on each side of the sledge. Move the sledge to the inner and outer position to spread the grease.
2. Put onto the spindle shaft one dot of grease on both sides of the sledge. Move the sledge to the inner and outer position to spread the grease.
3. Put one dot of grease between the worm gear and the clamping spring.

REMARKS :

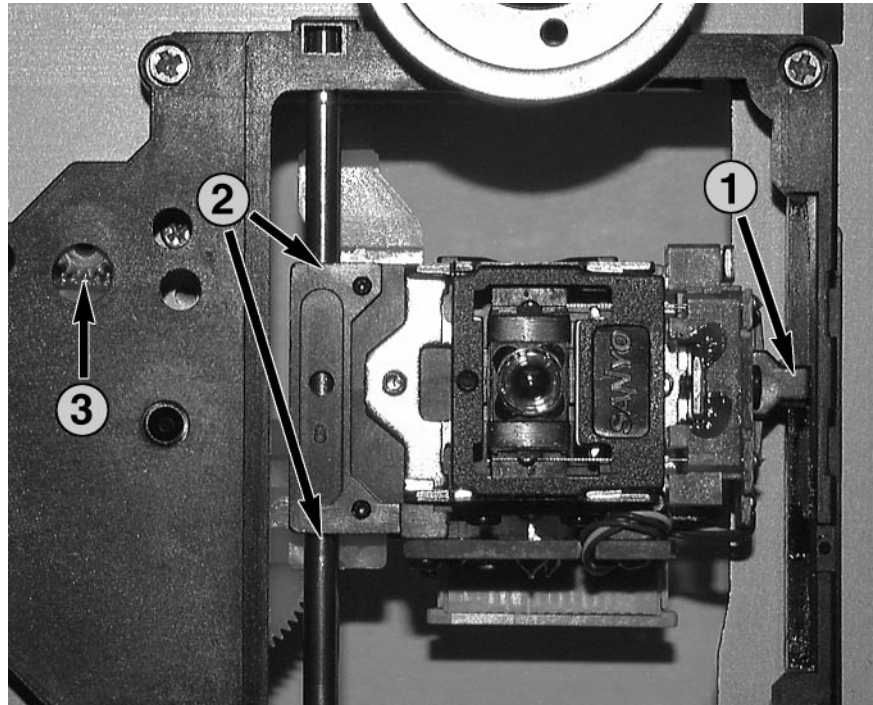
## 02.04 TYPENUMBER(S): **GROUP B**

### INFORMATION : **Cleaning and lubricating instructions**

Lubrication of the CD-drive is needed in case of symptom “skipping tracks”. The reason can be the dirt which sticks to the grease or the grease is getting aged.

Use grease “**Dow Corning PG-671**” or equivalent.

Before greasing the mechanism first remove the old grease from the mechanism. Use a cotton swab dipped in alcohol to clean the mechanism.



#### **Cleaning the mechanism**

1. Clean the lower and upper sledge (optical pick-up) guidance plane.
2. Clean the spindle shaft.
3. Clean the area between the toothed bar and idler wheels.

#### **Lubricating the mechanism**

1. Put onto the upper sledge guidance plane one dot of grease on each side of the sledge. Move the sledge to the inner and outer position to spread the grease.  
Put onto the lower sledge guidance plane one dot of grease on each side of the sledge. Move the sledge to the inner and outer position to spread the grease.
2. Put onto the spindle shaft one dot of grease on both sides of the sledge. Move the sledge to the inner and outer position to spread the grease.
3. Put one dot of grease between the toothed bar and the idler wheels.

REMARKS :

Published by:  
Service Department Audio Systems



LINE OF BUSINESS AUDIO SYSTEMS

# SERVICE NEWSLETTER

**05.01** TYPENUMBER(S): **AS785C, FW610, FW620C, FW630, FW650C, FW680V, FW750C**

SYMPTOM : **IRIS CODE 1 1 6 H**

Tweeter in Loudspeaker Box blown.

CURE : The paper coil former cannot withstand the heat generated by the voice coil and get burnt and torn.  
Replace the tweeter with an aluminium coil former tweeter, service codenumber 4822 240 10257.

REMARKS :

**05.02** TYPENUMBER(S): **CDR870, CDR880**

INFORMATION : Analogue input sensitivity has been changed to 500mV.  
The following parts have been changed on the level board:  
R3350 changed from 15kΩ into 10kΩ (4822 117 10833)  
R3351 changed from 15kΩ into 10kΩ (4822 117 10833)  
R3352 changed from 5,6kΩ into 10kΩ (4822 117 10833)  
R3353 changed from 5,6kΩ into 10kΩ (4822 117 10833)

REMARKS :

**05.03** TYPENUMBER(S): **CS1600, SC1060**

INFORMATION : Correction to Electrical partslist:  
The service codenumber of the Volume Control VR204 is 4822 101 11905.

REMARKS :

**05.04 TYPENUMBER(S): FW18**

**SYMPTOM :** IRIS CODE C 5 3 2

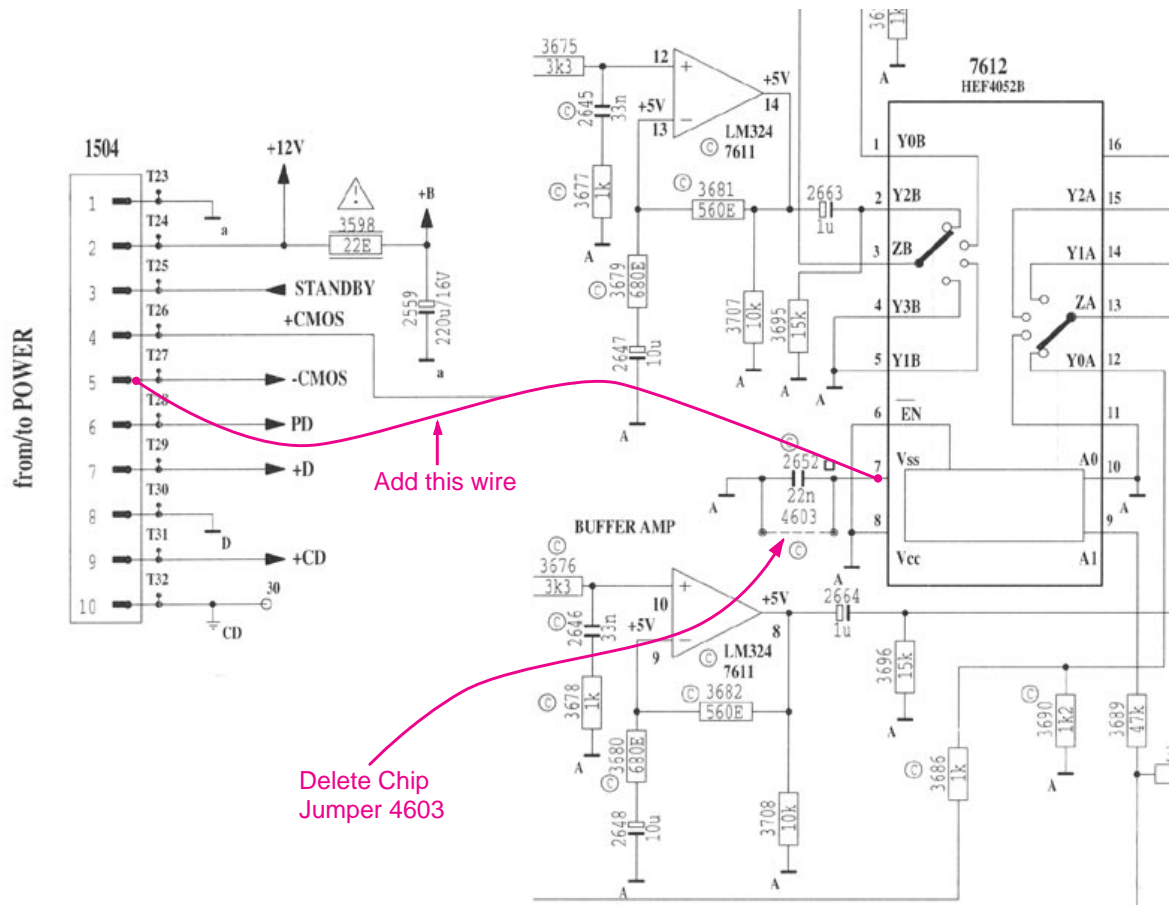
1. Distortion is audible during playback of certain pre-recorded cassettes.
2. Continuous crackling (or clipping) sound is audible during playback of certain CDs (i.e. CDV – Spice Girls/Spiceworld, no. CDV 2850 7243 8 45111 2 8, track 10).

**CURE :** The pre-recorded cassettes or CDs contain over-modulated signals, which are too large to be handled by the multiplex IC 7612, HEF4052B.

The problem can be solved by the following hardware modification on the Combi board:

1. Remove chip jumper 4603.
2. Connect VSS of IC 7612 to -5V DC by wire from pin 7 of IC7612 to pin 5 of connector 1504.

For details on this rework, see circuit diagram below.



**05.05 TYPENUMBER(S): FW315C/22**

**INFORMATION :** Correction to Electrical partslist:  
The service codenumber for microprocessor IC 7401 should read 4822 209 15959 with printing mark "322S51471" instead of 4822 209 15436.

**REMARKS :**



**05.06 TYPENUMBER(S): FW316C/21/21M**

**INFORMATION** : Correction to Service Manual:  
In the Version Variation Table on page 1-2, FW316C/21/21M should be stated without Karaoke feature.

**05.07 TYPENUMBER(S): FW316C/37**

**INFORMATION** : Correction to Mechanical partslist:  
On commercial request the color (and thus the codenumbers) of below mentioned parts have been changed:

205	4822 442 01358	Cover Tray CDC1
209	4822 459 04973	Cabinet Front
211	4822 410 11796	Button Set DSC/DBB
217	4822 410 11797	Button Set HSD/Power
221	4822 410 11798	Knob Volume
225	4822 410 11799	Button Set Controls
245	4822 442 01355	Cover Door Cassette Left
246	4822 442 01356	Cover Door Cassette Right

**REMARKS** : New parts are used from production start onwards.

**05.08 TYPENUMBER(S): FW372C, FW395C**

**SYMPTOM** : **IRIS CODE 2 6 7 X**  
The CD tray opens at any of the undermentioned conditions:

- switching on the set
- starting the FM radio
- changing of input selection

**CURE** : The problem is caused by a software bug and can only be solved by a software upgrade. New microprocessors are available under service codenumber 4822 900 11235.

**REMARKS** :

**05.09 TYPENUMBER(S): FW730V, FW780V**

**INFORMATION** : Missing in partslist of Power Board:  
The service code for the Cinch Socket - Audio/Video is 4822 267 11342.

**REMARKS** :

**05.10 TYPENUMBER(S): FW850C**

SYMPTOM : **IRIS CODE C 2 8 5**  
Wrong RDS message is displayed for 1-2 seconds  
(i.e. "RADIELL IMMEO AKTUR" iso. "RADIO-N IMMER AKTUELL").

CURE : There is no solution available, the phenomenon has been  
commercially accepted.

REMARKS : This problem is not always present when the set is tuned from  
another station to the problem station via the presets.

**05.11 TYPENUMBER(S): FW850C/34**

INFORMATION : Correction to Service Manual:  
In the Version Variation Table on page 1-2, FW850C/34 should refer  
to "ECO5 Sys" tuner instead of "Tuner 95".

REMARKS :

**05.12 TYPENUMBER(S): FW860P**

INFORMATION : Correction to Mechanical partslist:

Pos	Service code	Description
349	4822 445 10768	Center Loudspeaker Box
349	4822 445 10769	Surround Loudspeaker Box
386	4822 736 15978	Portuguese IFU (for /21 only)

REMARKS :

**05.13 TYPENUMBER(S): MC135, MC155**

INFORMATION : Correction to Electrical partslist:  
Correct type number of IC200 and IC501 is BA4558N.  
Service codenumber is 4822 209 16265.

REMARKS :

Published by:  
Service Department LOBPA Hong Kong



LINE OF BUSINESS PORTABLE AUDIO

# SERVICE NEWSLETTER

**01.01** TYPENUMBER(S): **AJ3920, AJ3925**

- SYMPTOM : **IRIS CODE H 5 4 0**  
Noise is audible in stand-by mode.
- CURE : The noise level can be reduced by following modification:  
1. Change 3214 and 3216 from 10kΩ to 1kΩ (4822 050 21002)  
2. Change 2209 and 2212 from 1μF to 10μF (4822 124 40248)  
3. Relocate 3217. Solder it to the -ve pole of 2214 and the ground pin of 3215.
- REMARKS : Above mentioned modification will be implemented in production from week 9818 onwards.

**01.02** TYPENUMBER(S): **AZ1000, AZ1001, AZ1002**

- INFORMATION : From April 1998 onwards, with factory code starting from KZ019814..., CD-drive CD94V5 (4822 691 10654) is used in production to supersede the original CD90V1Q. For servicing please refer to Service Information A98-560 (4822 725 26175).
- REMARKS :

**01.03** TYPENUMBER(S): **AZ1100, AZ1101, AZ1102, AZ1103, AZ1104**

- INFORMATION : During production, the motor on the tape deck has been changed. The type of the new motor is EG-530AD-2B with service codenumber 4822 361 21599.
- REMARKS : Both motors EG-530AD-2B and M9T12U24-1 are interchangeable.

**01.04** TYPENUMBER(S): **AZ1202, AZ1207, AZ1209, AZ1602**

- INFORMATION : The flex foil cable (15-pins), connecting the CD light-pen to CD97 board, is now available via following service codenumber:  
pos 1800 4822 320 12178 FFC/15P/65mm
- REMARKS :

**01.05** TYPENUMBER(S): **AZ1207, AZ1209**

INFORMATION : Correction to electrical partslist, Audio Board:

2264	4822	126	13581	0.22 $\mu$ F	20%	50V
2265	4822	126	13581	0.22 $\mu$ F	20%	50V
2596	4822	121	51387	10nF	20%	50V
3666	4822	116	52175	100 $\Omega$	5%	0.5W
3667	4822	116	52175	100 $\Omega$	5%	0.5W

REMARKS :

Published by:  
Service Department Audio Systems



LINE OF BUSINESS AUDIO SYSTEMS

# SERVICE NEWSLETTER

**04.01 TYPENUMBER(S): AS660C, AS665C, AS670C, AS675C, AS760C, AS765C, AS785C, FW315C, FW340C, FW352C, FW355C, FW365C, FW372C, FW373C, FW375P, FW392C, FW395C, FW710C, FW725C, FW730C, FW745C, FW750C, FW770P, Fw780P, FW790P**

**INFORMATION :** In above mentioned sets the 3CD Carousel Changer module "3CDC DH" has been replaced by the "3CDC MG" module. This has been published with following Service Informations:  
A97-164 for FW725C, FW730C  
A97-165 for FW745C, FW750C  
A97-166 for FW770P  
A97-167 for FW780P  
A97-168 for FW790P  
A97-169 for FW710C  
A97-170 for FW365C  
A97-172 for FW355C  
A97-173 for FW375P  
A97-174 for AS660C, AS665C  
A97-175 for AS760C, AS765C  
A97-180 for FW352C  
A97-182 for FW372C  
A97-183 for FW392C  
A97-184 for FW395C  
A97-185 for FW373C  
A97-187 for AS670C, AS675C  
A97-188 for AS785C  
A97-189 for FW315C  
A97-190 for FW340C

In all Service Informations the service codenumber for the flex-foil, pos. 8002, is missing:  
8002 4822 320 11974 flex-foil 15pole (length=190mm)

Attention: Above mentioned flex-foil is not compatible to the flex-foil used in the old 3CDC DH module!

**REMARKS :**

**04.02 TYPENUMBER(S): CDR870**

**INFORMATION** : The Recording Test disc  
Problems concerning the recording facilities of the CDR870 can be checked by using a blank Digital Audio CD-ReWritable disc. This disc can be re-used afterwards and the CD-RW recording strategy does not deviate strong from the CD-R writing process. To define whether the set is working proper this disc can be read after recording and even after finalising.  
To ERASE complete disc use the service test program and actuate simultaneously <ERASE> and <RECORD> keys together with <POWER ON>. This will take about 37 minutes because erasing is done at double disc speed.

**REMARKS** :

**04.03 TYPENUMBER(S): CDR870**

**INFORMATION** : CDR870 is not able to play CD R/W discs, recorded and finalised via a computer. The CDR870 display shows "No Audio".

Explanation:

The audio bit, standing in the ATIP pregroove, is checked before starting up. In case of a final finalised CDR disc, the ATIP (Engine) is switched off. So the application can not reach this information anymore.

In case of CD R/W, ATIP must always be active (to allow Erase DISC). So the audio bit will be detected by the application when starting up this disc.

Because the audio bit is not detected in this case, the display shows the message "NO AUDIO".

This is not an error but a too strong implementation of the law. In fact you may not record audio on a general purpose disc with a CDR870.

**REMARKS** : In the future reading audio from a general purpose disc will be allowed. (CDR760 ....)

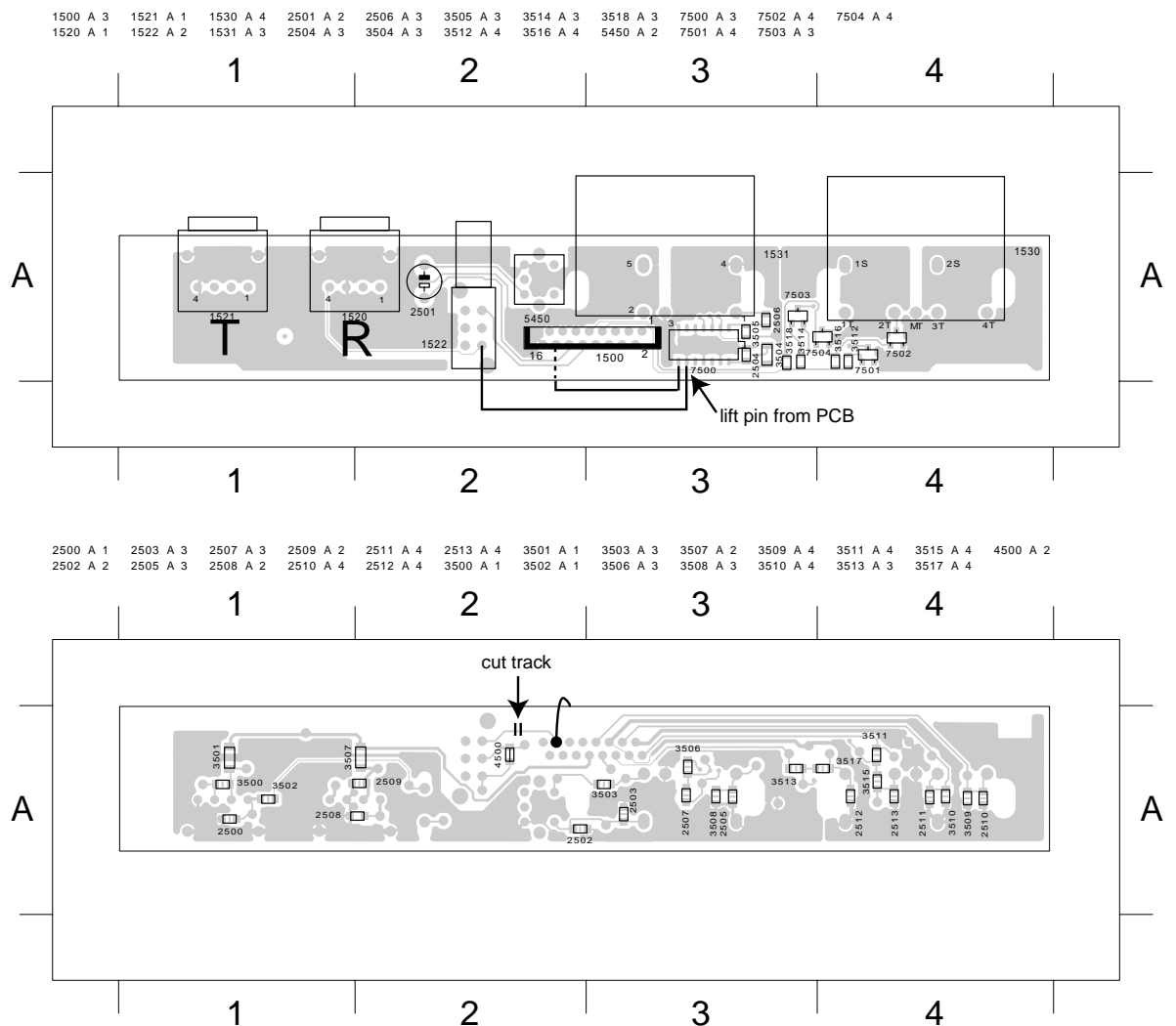
**04.04 TYPENUMBER(S): CDR870**

**SYMPTOM :** IRIS CODE 2 5 6 6  
Bad recording when using optical input of set

**CURE :** This problem is caused by the optical input device PLR102 (item 1520 on the connector PCB). In case the risetime specification is worse than 50ns, the optical input signal may result in a bad recording. There are 2 solutions possible:

1. Replace PLR102 by TORX174 (Toshiba) with service codenumber 4822 130 91224. C2508 has to be replaced by a short circuit to ground. The risetime specifications of this device are <30ns.
2. Use one of the free inverter ports of device 74HCU04N (item 7500) to improve the optical in signal. This can be done as follows:
  - Connect output 4 of optical device to pin 9 of IC7500.
  - This pin must be lifted from the PCB.
  - Connect pin 8 of IC7500 to pin 14 of connector 1500.
  - Interrupt copper track between pin 14 of connector 1500 to pin 4 of switch 1522 (not mounted).

With this solution, steep flanks will be created on the signal.  
Note that inverting is no problem for a biphase signal.  
See also picture of the modified PCB below.



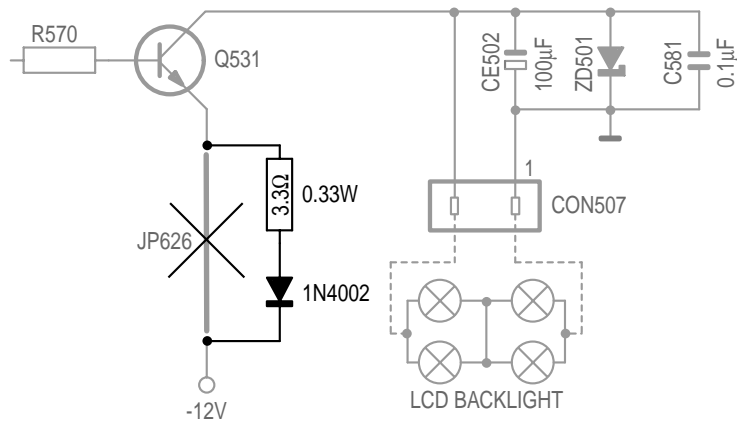
**REMARKS :** An improved connector PCB will be introduced in course of production. See Service Information A98-250 (4822 725 25244).

**04.05** TYPENUMBER(S): **MC135, MC155**

SYMPTOM : **IRIS CODE 1 1 3 B**  
Display backlight lamps are defective.

CURE : The problem is caused by overvoltage.

Following modification on the MAIN BOARD limit the supply voltage:  
Replace jumper JP626 by a diode 1N4002 (5322 130 30684) in series with a resistor 3,3Ω 5% 0,33W (4822 052 10338).



**IMPORTANT INFORMATION**

**As preventive action above modification must be implemented in all sets brought in for repair!!**

REMARKS :

**04.06** TYPENUMBER(S): **MC135, MC155**

SYMPTOM : **IRIS CODE C 2 8 5**  
RDS information is displayed in fragments of letters and words.

CURE : Solution is to shift the VCO frequency of IC505 by changing the value of the following capacitors:  
C527 : changed from 82pF to 33pF (5322 122 32072)  
C528 : changed from 47pF to 22pF (5322 122 32143)  
Measure the frequency at pin 14 of IC505 to be within 4.33204MHz ±200Hz.

REMARKS : This is a correction to Service Newsletter AS98.02.02 (symptom description and tolerance of frequency changed).  
Modification has been implemented in production from week 9749 onwards.



Published by:  
Service Department Audio Systems



LINE OF BUSINESS AUDIO SYSTEMS

# EACEM IRIS CODING

**EACEM IRIS** is an **INTERNATIONAL REPAIR INFORMATION SYSTEM** of the **EUROPEAN ASSOCIATION OF CONSUMER ELECTRONICS MANUFACTURERS**.

The system was developed by several companies and had been evolving for many years in different countries in different variations before it was finally standardized by the EACEM IRIS committee in May 1995. EACEM IRIS is kept up to date and reviewed periodically. New innovations and new product categories lead to the current revision 02, finalized in September 1997.

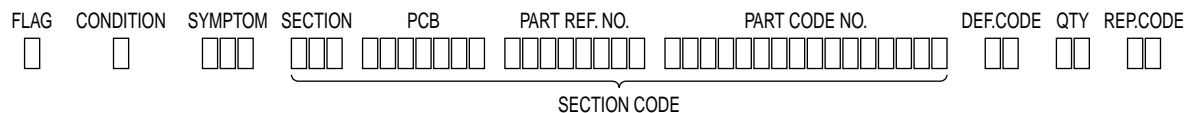
## EACEM IRIS CODING

The “heart” of EACEM IRIS is a standardized coding structure.

The full IRIS coding system consists of a set of five codes:

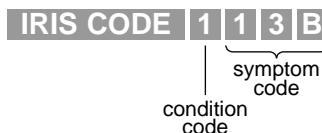
- The **CONDITION CODE** (under which condition does the defect occur)
- The **SYMPTOM CODE** (what was the symptom perceived by the user)
- The **SECTION CODE** (where was the defect located)
- The **DEFECT CODE** (which part and type of defect).
- The **REPAIR CODE** (what action was taken to correct the problem).

Example of use:



Tables on next pages give a survey of available codes in EACEM IRIS.

**Note that IRIS codes, published in Service Newsletters, are only related to the Condition/Symptom codeset.**





# EACEM - IRIS REPAIR CODING SYSTEM

# SYMPTOM CODE TABLE



## 'BROWN' GOODS

CONDITION CODE	MAIN SYMPTOM CODE	1	NO ACTION	2	LEVEL	3	QUALITY	4	NOISE	5	UNSTABLE	6	RECORDING & PHYSICAL PROBLEMS	7	SPECIAL FUNCTIONS	8	OTHER CONDITIONS
1	GENERAL	110	<b>POWER PROBLEM</b>	120	<b>CHARGING PROBLEM</b>	130	<b>DISPLAY FUNCTION PROBLEM</b>	140	<b>ABNORMAL NOISE</b>	150	<b>REMOTE CONTROL PROBLEM</b>	160	<b>PHYSICAL DAMAGE</b>	170	<b>GENERAL FUNCTION PROBLEM</b>	180	<b>SPECIAL REQUIREMENTS</b>
		111	NO POWER ON AC	121	NO BATTERY CHARGING	131	FAULTY TIMER/COUNTER DISPLAY	141	CRT DISCHARGING NOISE	151	NO REMOTE CONTROL OPERATION	161	DAMAGED CABINET	171	FAULTY CLOCK FUNCTION	181	TEST AND CHECK
		112	NO POWER WHEN USING AC-ADAPTER	122	INCOMPLETE BATTERY CHARGE	132	FAULTY LAMP/LED OPERATION	142	EHT DISCHARGING NOISE	152	INCORRECT REMOTE CONTROL OPERATION	162	DAMAGED HANDLE/CLIP	172	FAULTY SLEEP FUNCTION	182	GENERAL OVERHAUL
		113	NO POWER WHEN USING DRY BATTERIES	123	CHARGING TIME TOO LONG	133	FAULTY LEVEL METER OPERATION	143	NOISY CABINET	153	REMOTE CONTROL PROGRAMMING/LEARNING MODE PROBLEM	163	DAMAGED CONTROL KNOB(S)/BUTTON(S)	173	FAULTY TIMER PROGRAMMING	183	SYSTEM/FREQUENCY CONVERSION
		114	NO POWER WHEN USING RECHARGEABLE BATTERIES	124	OTHER 'CHARGING' PROBLEM	134	FAULTY ON-SCREEN DISPLAY OPERATION	144	NOISY TRANSFORMER	154	POOR REMOTE CONTROL SENSITIVITY	164	DAMAGED DOOR/COVER	174	FAULTY TIMER RECORDING	184	INITIAL SETUP REQUESTED
		115	NO POWER FROM SOLAR CELL	125		135	ELECTRONIC TUNING DISPLAY FAULT	145	NOISY COMPONENT(S)	155	OTHER 'REMOTE CONTROL' PROBLEM	165	DAMAGED SEAL	175	SOFTWARE PROGRAMMING/USER ADJUSTMENT PROBLEM	185	MODIFICATION/CIRCUIT CHANGE
		116	NO POWER WHEN USING A CAR BATTERY	126		136	MECHANICAL TUNING DISPLAY FAULT	146	RATTLE	156		166	DAMAGED PLUG/SOCKET/TERMINAL	176	FAULTY RECORD MUTE OPERATION	186	WRONG SET IN CARTON
		117	SHORT OPERATION TIME/SHORT BATTERY LIFE	127		137	FAULTY TIME CODE DISPLAY	147	OTHER 'ABNORMAL' NOISE	157		167	DAMAGED LENS	177	FAULTY PROGRAMMED PLAYBACK OPERATION	187	ACCESSORY MISSING
2	COMMUNICATION	210	<b>NO RECEPTION</b>	220	<b>POOR RECEPTION</b>	230	<b>TRANSMISSION PROBLEM</b>	240	<b>NOISY RECEPTION/TRANSMISSION</b>	250	<b>UNSTABLE RECEPTION/TRANSMISSION</b>	260	<b>TUNING PROBLEM</b>	270	<b>SPECIAL COMMUNICATION PROBLEM</b>	280	<b>SPECIAL RECEPTION PROBLEM</b>
		211	NO AM RECEPTION	221	POOR AM RECEPTION	231	NO TRANSMISSION	241	LINE NOISE	251	TUNING DRIFT	261	MANUAL TUNING PROBLEM	271	FAULTY DIALLING	281	FAULTY STEREO RECEPTION
		212	NO FM RECEPTION	222	POOR FM RECEPTION	232	POOR TRANSMISSION	242	OSCILLATION	252	FADING	262	AUTOMATIC TUNING PROBLEM	272	FAULTY CHANNEL SELECTION	282	FAULTY MAIN CHANNEL (A) FUNCTION
		213	NO SW RECEPTION	223	POOR SW RECEPTION	233	TRANSMISSION LEVEL TOO HIGH	243	INTERSTATION INTERFERENCE	253	INTERMITTENT LINE	263	INCORRECT TUNING	273	FAULTY AUTO-ANSWER OPERATION	283	FAULTY SUB-CHANNEL (B) FUNCTION
		214	NO VHF RECEPTION	224	POOR VHF RECEPTION	234	NO TRANSMISSION BETWEEN BASE UNIT (OR NETWORK) AND HANDSET	244	OTHER 'NOISY RECEPTION/TRANSMISSION' PROBLEM	254	OTHER 'UNSTABLE RECEPTION/TRANSMISSION' PROBLEM	264	TUNING MEMORY PROBLEM	274	FAULTY MESSAGE READ-OUT FUNCTION	284	FAULTY SSB RECEPTION
		215	NO UHF RECEPTION	225	POOR UHF RECEPTION	235	POOR TRANSMISSION BETWEEN BASE UNIT (OR NETWORK) AND HANDSET	245		255		265	OTHER 'TUNING' PROBLEM	275	FAULTY AUTODIAL/REDIAL MEMORY	285	FAULTY RDS/VPS/PSDC OPERATION
		216	NO BS RECEPTION	226	POOR BS RECEPTION	236	POOR TRANSMISSION BETWEEN BASE UNIT (OR NETWORK) AND HANDSET	246		256		266		276	FAULTY SPEECH PROCESSING	286	FAULTY TELETEXT RECEPTION
		217	NO CS RECEPTION	227	POOR CS RECEPTION	237	OTHER 'TRANSMISSION' PROBLEM	247		257		267		277	NO RINGING TONE	287	FAULTY SATELLITE/RTTY RECEPTION
3	PICTURE	310	<b>NO PICTURE</b>	320	<b>PICTURE LEVEL PROBLEM</b>	330	<b>PICTURE QUALITY PROBLEM</b>	340	<b>PICTURE NOISE</b>	350	<b>UNSTABLE PICTURE</b>	360	<b>POOR PICTURE RECORDING</b>	370	<b>SPECIAL PICTURE FUNCTION PROBLEM</b>	380	<b>PICTURE DISPLAY/PICKUP PROBLEM</b>
		311	NO PICTURE IN E TO E MODE	321	PICTURE TOO DARK	331	POOR PICTURE RESOLUTION	341	SNOWY PICTURE	351	SYNC PROBLEM	361	NO PICTURE RECORDING	371	EDITING PROBLEM	381	BURN MARK ON DISPLAY/PICKUP
		312	NO PICTURE IN PLAYBACK MODE	322	PICTURE TOO BRIGHT	332	POOR FOCUS	342	DOT NOISE OR DROPOUT ON PICTURE	352	PICTURE PUMPING	362	NO ERASURE PROTECTION FOR VIDEO	372	FAULTY FADING/WIPER OPERATION	382	SCRATCH ON DISPLAY/PICKUP
		313	NO PICTURE IN VIEWFINDER	323	CONTRAST TOO LOW	333	RINGING ON PICTURE	343	NOISE BARS ON PICTURE	353	PICTURE JITTER	363	PREVIOUS VIDEO RECORDING NOT BEING ERASED	373	FAULTY NEGATIVE/POSITIVE SWITCHING FUNCTION	383	DUST/DIRT ON DISPLAY/PICKUP
		314	NO PICTURE, ONLY RASTER	324	CONTRAST TOO HIGH	334	EXCESSIVE SMEAR/LAG	344	BLANKING LINES ON PICTURE	354	PICTURE SHAKING (HORIZONTAL OR VERTICAL)	364	UNWANTED ERASURE OF PICTURE	374	FAULTY SUPERIMPOSE/TELOP OPERATION	384	PHOSPHOR/PIXEL MISSING ON DISPLAY/PICKUP
		315	NO RASTER, BLACK PICTURE	325	SATURATED WHITE OR BLACK LEVEL	335	POOR LINEARITY OR GEOMETRY	345	BEATING ON PICTURE	355	FLICKERING PICTURE	365	NO CAMERA RECORDING	375	FAULTY PICTURE IN PICTURE/DIGITAL PICTURE OPERATION	385	BRIGHT POINT(S) IN PHOSPHOR/PIXEL LINES ACROSS/DOWN IMAGE
		316	ONLY HORIZONTAL LINE	326	SHADING ON PICTURE	336	PICTURE SIZE INCORRECT	346	GHOSTING ON PICTURE	356	FLASHING PICTURE	366	ONLY ONE FIELD PER FRAME BEING RECORDED	376	FAULTY PICTURE TRANSMISSION	386	OTHER 'PICTURE DISPLAY/PICKUP' PROBLEM
		317	ONLY VERTICAL LINE	327	ONLY PARTIAL PICTURE	337	INCORRECT CENTRING OF PICTURE	347	VCR HEAD SWITCHING NOISE ON PICTURE	357	CYCLIC PICTURE MUTING	367	OTHER 'PICTURE RECORDING' PROBLEM	377	FAULTY DIGITAL SHUTTER FUNCTION	387	
4	COLOUR	410	<b>NO COLOUR</b>	420	<b>COLOUR LEVEL PROBLEM</b>	430	<b>POOR COLOUR QUALITY</b>	440	<b>NOISY COLOUR</b>	450	<b>UNSTABLE COLOUR</b>	460	<b>POOR COLOUR RECORDING</b>	470	<b>SPECIAL COLOUR FUNCTION PROBLEM</b>	480	
		411	NO COLOUR IN E TO E MODE	421	WEAK COLOUR	431	SOME OR ALL COLOURS MISSING	441	COLOUR NOISE ON A BLACK & WHITE PICTURE	451	COLOUR FLASHING	461	NO COLOUR RECORDING	471	FAULTY AUTOMATIC WHITE BALANCE	481	NO STEREO OPERATION
		412	NO COLOUR IN PLAYBACK MODE	422	EXCESSIVE COLOUR	432	POOR WHITE BALANCE	442	COLOUR STREAKING	452	HUE CONSTANTLY CHANGING	462	NOISY COLOUR RECORDING	472	FAULTY COLOUR EFFECTS FUNCTION	482	POOR CHANNEL SEPARATION
		413	NO COLOUR IN VIEWFINDER	423	OTHER 'COLOUR LEVEL' PROBLEM	433	HUE PROBLEM	443	COLOUR 'STREAKING' PROBLEM	453	FLICKERING COLOUR	463	OTHER 'COLOUR RECORDING' PROBLEM	473	OTHER 'SPECIAL COLOUR FUNCTION' PROBLEM	483	DIFFERENCE IN PHASE BETWEEN CHANNELS
		414	NO COLOUR IN PART OF PICTURE	424		434	PURITY ERROR	444	OTHER 'COLOUR NOISE' PROBLEM	454	COLOUR NOT LOCKED	464		474		484	PROBLEM WITH SURROUND SOUND MODE
		415	OTHER 'NO COLOUR' PROBLEM	425		435	LANDING ERROR/WHITE UNIFORMITY CONVERGENCE ERROR	445		455	OTHER 'UNSTABLE COLOUR' PROBLEM	465		475		485	PROBLEM WITH PCM AUDIO MODE
		416		426		436	REGISTRATION ERROR	446		456		466		476		486	OTHER 'STEREO/MULTI MODE' PROBLEM
		417		427		437	PITCH MOIRE	447		457		467		477		487	
5	AUDIO	510	<b>NO AUDIO</b>	520	<b>AUDIO LEVEL PROBLEM</b>	530	<b>AUDIO QUALITY</b>	540	<b>NOISY AUDIO</b>	550	<b>UNSTABLE AUDIO</b>	560	<b>POOR AUDIO RECORDING</b>	570	<b>POOR SPECIAL AUDIO FUNCTION</b>	580	<b>STEREO/MULTI MODE OPERATION PROBLEM</b>
		511	NO SOUND IN E TO E MODE	521	LOW AUDIO LEVEL	531	POOR FREQUENCY RESPONSE	541	HUM	551	JUMPING OR REPEATING AUDIO	561	AUDIO NOT BEING RECORDED	571	FAULTY FADE OPERATION	581	NO STEREO OPERATION
		512	NO PLAYBACK OF OUTGOING MESSAGE(S)	522	EXCESSIVE AUDIO LEVEL	532	DISTORTED AUDIO	542	HISS	552	AUDIO PUMPING OR BREATHING	562	NO ERASURE PROTECTION FOR AUDIO	572	FAULTY ECHO OPERATION	582	POOR CHANNEL SEPARATION
		513	NO PLAYBACK OF INCOMING MESSAGE(S)	523	BALANCE PROBLEM	533	NO OR POOR TREBLE	543	CROSSTALK	553	AUDIO DROPOUTS	563	PREVIOUS AUDIO RECORDING NOT BEING ERASED	573	FAULTY MIXING OPERATION	583	DIFFERENCE IN PHASE BETWEEN CHANNELS
		514	NO AUDIO FROM HANDSET	524	FADER PROBLEM	534	NO OR POOR BASS	544	STATIC, POP OR CLICK NOISE	554	CYCLIC AUDIO MUTING	564	UNWANTED ERASURE OF AUDIO MESSAGE NOT BEING RECORDED	574	FAULTY REPEAT MODE OPERATION	584	PROBLEM WITH SURROUND SOUND MODE
		515	NO SOUND FROM SPEAKER	525	AUDIO LEVEL REMAINING	535	EARPHONE/HEADPHONE AUDIO POOR	545	BUZZ	555	WOW AND FLUTTER	565	MESSAGE NOT BEING RECORDED	575	FAULTY AUDIO PROCESSING	585	PROBLEM WITH PCM AUDIO MODE
		516	NO SOUND FROM SPEAKER	526	OTHER 'AUDIO LEVEL' PROBLEM	536	OTHER 'AUDIO QUALITY' PROBLEM	546	SCRATCHING NOISE	556	HOWLING/ACOUSTIC FEEDBACK	566	OTHER 'UNSTABLE AUDIO' PROBLEM	576	FAULTY SYNC RECORDING OPERATION	586	OTHER 'STEREO/MULTI MODE' PROBLEM
		517	NO SOUND FROM EARPHONE/HEADPHONE	527		537		547	IGNITION NOISE	557	OTHER 'UNSTABLE AUDIO' PROBLEM	567		577	FAULTY DBB/DOL OPERATION	587	
6	MECHANISM	610	<b>NO MECHANICAL OPERATION</b>	620	<b>IRREGULAR MECHANICAL OPERATION</b>	630	<b>SPEED PROBLEM</b>	640	<b>MECHANICAL NOISE</b>	650	<b>MECHANICALLY UNSTABLE</b>	660	<b>DAMAGE TO SOFTWARE</b>	670	<b>MECHANICAL OPERATION PROBLEM</b>	680	<b>LENS PROBLEM</b>
		611	NO DISC ROTATION	621	IRREGULAR ROTATION	631	SPEED TOO FAST	641	ROTATION NOISE	651	UNEVEN FEET	661	TAPE GETS SCRATCHED	671	FAULTY START/STOP OPERATION	681	FOCUS PROBLEM
		612	NO FORWARD OPERATION	622	IRREGULAR FORWARD MODE	632	SPEED TOO SLOW	642	MOTOR NOISE	652	FAULTY HINGE	662	DISC GETS SCRATCHED	672	FAULTY PAUSE OPERATION	682	ZOOM PROBLEM
		613	NO REVERSE OPERATION	623	IRREGULAR REVERSE OPERATION	633	OTHER 'SPEED' PROBLEM	643	WIND NOISE	653	OTHER 'MECHANICAL INSTABILITY' PROBLEM	663	TAPE GETS CHEWED/WRINKLED	673	FAULTY AUTOMATIC PROGRAM SEARCH	683	IRIS PROBLEM
		614	NO FAST FORWARD OR REWIND FUNCTION	624	IRREGULAR FAST FORWARD OR REWIND FUNCTION	634		644	TAPE SQUEALING	654		664	TAPE JAMMED OR BROKEN	674	FAULTY CUE/REVIEW MODE	684	MACRO PROBLEM
		615	NO LOADING	625	IRREGULAR LOADING	635		645	FAN NOISE	655		665	TAPE GETS CURLED	675	FAULTY SLOW MOTION OPERATION	685	OTHER 'LENS' PROBLEM
		616	NO UNLOADING OR EJECTING OF TAPE	626	IRREGULAR UNLOADING OR EJECTING OF TAPE	636		646	DISC SCRAPING	656		666	SLACK TAPE	676	FAULTY HIGH-SPEED SCANNING MODE	686	
		617	NO AUTO SHUT-OFF OPERATION	627	IRREGULAR AUTO SHUT-OFF OPERATION	637		647	NOISY TAPE LOADING	657		667	TAPE STICKING	677	FAULTY SPEED COPY FUNCTION	687	
7	DATA PROCESSING	710	<b>NO DATA PROCESSING OPERATION</b>	720	<b>FAULTY DATA PROCESSING OPERATION</b>	730	<b>DATA DISPLAY PROBLEM</b>	740		750		760	<b>DATA READ/WRITE PROBLEM</b>	770	<b>SPECIAL DATA PROCESSING FUNCTION PROBLEM</b>	780	
		711	NO INITIAL SCREEN	721	INCORRECT DATA	731	INCORRECT CHARACTER DISPLAY	741		751		761	FORMATTING PROBLEM	771	FAULTY SELF-DIAGNOSTIC MODE	781	
		712	SYSTEM DOES NOT RESET	722	SYSTEM RESET WHILE BEING USED	732	MISSING DISPLAY CHARACTERS	742		752		762	DATA ON STORAGE MEDIUM BEING LOST	772	FAULTY WORD PROCESSING FUNCTION	782	
		713	SYSTEM DOES NOT BOOT UP	723	SYSTEM LOCKS OUT/CRASHES	733	FAULTY GRAPHIC DISPLAY	743		753		763	FRAME MEMORY PROBLEM	773	FAULTY GRAPHIC EDIT FUNCTION	783	
		714	NO OPERATION FROM PLUG-IN MODULE	724	FAULTY OPERATION OF PLUG-IN MODULE	734	FAULTY SWITCHING BETWEEN GRAPHIC/CHARACTER MODE	744		754		764	OTHER 'DATA READ/WRITE' PROBLEM	774	OTHER 'SPECIAL DATA FUNCTION' PROBLEM	784	
		715	NO KEYBOARD OPERATION	725	FAULTY KEYBOARD OPERATION	735	FAULTY PROMPT/CURSOR OPERATION	745		755		765		775		785	
		716	NO OPERATION FROM OTHER INPUT/OUTPUT DEVICE	726	FAULTY OPERATION OF OTHER INPUT/OUTPUT DEVICE	736	DATA DISPLAY COLOUR INCORRECT	746		756		766		776		786	
		717	NO DATA STORAGE OPERATION	727	FAULTY DATA STORAGE OPERATION	737	NO PAGING OR SCROLL MODE	747		757		767		777		787	
718	NO DATA COMMUNICATION	728	FAULTY DATA COMMUNICATION	738	OTHER 'DATA DISPLAY' PROBLEM	748		758		768		778		788			
8	PRINTING	810	<b>NO PRINTER OPERATION</b>	820	<b>ERRONEOUS PRINTER OPERATION</b>	830	<b>POOR PRINT QUALITY</b>	840	<b>NOISY PRINTING</b>	850	<b>UNSTABLE PRINTER OPERATION</b>	860	<b>RIBBON/PAPER PROBLEMS</b>	870		880	<b>FAULTY FONT/CHARACTER FUNCTIONS</b>
		811	NOT PRINTING	821	PRINT IMAGE REVERSED (NEGATIVE/POSITIVE)	831	INCORRECT PRINTING POSITION	841	PRINTING NOISE LINES	851	UNSTABLE PAPER LOADING	861	RIBBON BROKEN	871		881	INCORRECT CHARACTERS OR IMAGE
		812	NO COMMUNICATION WITH PRINTER	822	IRREGULAR PAPER FEED	832	LOW PRINT CONTRAST	842	DIRTY PRINTING	852	RIBBON MULTY-PAPER LOADING	862	RIBBON STUCK/STICKING	872		882	INCORRECT CHARACTER SIZE
		813	PAPER NOT LOADING	823	ERRONEOUS PRINT MODE SWITCHING	833	EXCESSIVE PRINT CONTRAST	843	OTHER 'NOISY PRINTING' PROBLEM	853	INCORRECT LINE-UP OF CHARACTERS	863	RIBBON DERIVED	873		883	FONT LOADING PROBLEM
		814	NO PAPER FEED	824	OTHER 'PRINTER OPERATION' PROBLEM	834	BLURRED PRINT IMAGE	844		854	OTHER 'UNSTABLE PRINTER OPERATION' PROBLEM	864	PAPER STUCK/STICKING TO MECHANISM	874		884	OTHER 'FAULTY FONT/CHARACTER FUNCTION' PROBLEM
		815	NO IMAGE FIXATION	825		835	PRINT IMAGE NOT SHARP	845		855		865	PAPER JAM	875		885	
		816	OTHER 'NO PRINTER OPERATION' PROBLEM	826		836	DOTS MISSING IN PRINT IMAGE	846		856		866	OTHER 'RIBBON/PAPER' PROBLEM	876		886	
		817		827		837	OTHER 'PRINT QUALITY' PROBLEM	847		857		867		877		887	

(\*1)  
CAUTION  
THE 'X' EXTENDED SYMPTOM CODES (\*-\*\*X) SHOULD ONLY BE USED TO INDICATE THAT A SUITABLE SYMPTOM DESCRIPTION IS NOT AVAILABLE IN THE CONCERNED SYMPTOM GROUP

## EACEM - SECTION CODES

<b>ANT</b> ANTENNA SECTION	<b>HDD</b> HARD DISC DRIVE	<b>RFU</b> BOOSTER,RF UNIT
<b>APA</b> AUDIO PROCESSING/ANALOG	<b>HFS</b> HIGH FREQUENCY SECTION (RF)	<b>RHD</b> ROTARY HEAD(S)
<b>APD</b> AUDIO PROCESSING/DIGITAL	<b>HOL</b> CASSETTE HOLDER	<b>SFT</b> SOFTWARE (TAPE, DISC, ETC.)
<b>APR</b> SIGNAL PROCESSING (ANALOG)	<b>IDS</b> INFORMATION DISPLAY SECTION	<b>SHD</b> STATIONARY HEAD(S)
<b>ARM</b> ARM MECHANISM	<b>IFC</b> IF-CIRCUIT	<b>SLD</b> SLED MECHANISM
<b>BCH</b> BATTERY CHARGE	<b>IMG</b> IMAGE DISPLAY UNIT	<b>SNS</b> SENSOR UNIT
<b>BZL</b> BEZEL	<b>INC</b> INTERNAL CONNECTOR	<b>SPK</b> SPEAKER
<b>CBT</b> CABINET	<b>INP</b> SIGNAL INPUT SECTION	<b>SRS</b> SUPPLY REEL SECTION
<b>CHA</b> CHASSIS	<b>KBD</b> KEYBOARD (SEPARATE)	<b>STA</b> STATIC BLOCK
<b>CLK</b> CLOCK/TIMER SECTION	<b>LDG</b> LOADING MECHANISM	<b>SVO</b> SERVO SECTION
<b>CPA</b> COLOUR PROCESSING/ANALOG	<b>LNM</b> LENS MECHANISM	<b>SYS</b> SYSTEM CONTROL SECTION
<b>CPD</b> COLOUR PROCESSING/DIGITAL	<b>MEM</b> MEMORY CIRCUIT	<b>TDM</b> TAPE DRIVE MECHANISM
<b>CRT</b> PICTURE TUBE	<b>MIC</b> MICROPHONE SECTION	<b>THR</b> THREADING MECHANISM
<b>CTR</b> CONTROL PANEL	<b>OUT</b> SIGNAL OUTPUT SECTION	<b>TNR</b> TENSION REGULATOR
<b>DDM</b> DISC DRIVE MECHANISM	<b>PFM</b> PAPER FEED MECHANISM	<b>TPT</b> TAPE PATH
<b>DFL</b> DEFLECTION CIRCUIT	<b>PIN</b> PINCH ROLLER/LEVER	<b>TRS</b> TAKE-UP REEL SECTION
<b>DPR</b> SIGNAL PROCESSING (DIGITAL)	<b>PRG</b> PROGRAMMING SECTION	<b>TUN</b> TUNING SECTION
<b>ERA</b> ERASE CIRCUIT	<b>PRI</b> PRINT BLOCK	<b>TXT</b> TEXT PROCESSING
<b>EXC</b> EXTERNAL CONNECTOR	<b>PRT</b> PROTECTION CIRCUIT	<b>VPA</b> VIDEO PROCESSING/ANALOG
<b>FDD</b> FLOPPY DISC DRIVE	<b>PSU</b> POWER SUPPLY	<b>VPD</b> VIDEO PROCESSING/DIGITAL
<b>FLX</b> FLEXIBLE PRINTED CIRCUIT BOARD	<b>PUD</b> PICK-UP DEVICE	<b>VWF</b> VIEWFINDER
<b>FMW</b> FIRMWARE	<b>PWA</b> POWER AMP SECTION	<b>WIR</b> LEAD WIRE
<b>FPK</b> FOCUS PACK	<b>REM</b> REMOTE CONTROL SECTION	<b>XXX</b> CABINET/COSMETIC PARTS
<b>HCM</b> HEAD CARRIAGE MECHANISM	<b>RFM</b> RIBBON FEED MECHANISM	

## DEFECT CODES

MECHANICAL		ELECTRICAL	
<b>A</b>	WORN OUT	<b>N</b>	DEFECTIVE ELECTRICAL COMPONENT/MODULE
<b>B</b>	DIRTY, CLOGGED	<b>O</b>	BURNT, ARCING, MISSING PIXELS
<b>C</b>	MISALIGNED	<b>P</b>	MISALIGNED
<b>D</b>	CUT, BROKEN	<b>Q</b>	SHORT
<b>E</b>	DEFORMED	<b>R</b>	OPEN
<b>F</b>	SNAPPED	<b>S</b>	LEAKING
<b>G</b>	SCRATCHED	<b>T</b>	BAD CONTACT, CONNECTION
<b>H</b>	CRACKED, PEELED, CORRODED	<b>U</b>	OPEN PATTERN
<b>I</b>	LOOSE	<b>V</b>	CRACKED PRINTED CIRCUIT BOARD
<b>J</b>	SHAKY, UNSTABLE	<b>W</b>	COLD OR NO SOLDERING
<b>K</b>	LEAKING	<b>X</b>	BRIDGED SOLDERING
<b>L</b>	DRY (NO LUBRICANT)	<b>Y</b>	WRONG COMPONENT
<b>M</b>	FOREIGN OBJECT	<b>Z</b>	MISSING COMPONENT
		<b>1</b>	SOFTWARE PROBLEM
		<b>2</b>	EXHAUSTED, LOW EMISSION
		<b>3</b>	NO PROBLEM FOUND (SET WITHIN SPEC)
		<b>4</b>	NO PROBLEM FOUND - CUSTOMER MISUNDERSTANDING
		<b>5</b>	NO PROBLEM FOUND - LOCAL CONDITIONS

## REPAIR CODES

<b>A</b>	REPLACEMENT	<b>N</b>	MAINTENANCE
<b>B</b>	MECHANICAL ALIGNMENT	<b>O</b>	REFURBISHING
<b>C</b>	ELECTRICAL ALIGNMENT	<b>P</b>	PREVENTIVE PARTS REPLACEMENT
<b>D</b>	RESOLDERING	<b>Q</b>	PREVENTIVE ACTION WITHOUT PARTS REPLACEMENT
<b>E</b>	CLEANING	<b>U</b>	EXPLANATION FOR CUSTOMER
<b>F</b>	LUBRICATION	<b>V</b>	ESTIMATION REFUSED
<b>G</b>	REPAIRED ELECTRICAL PARTS	<b>W</b>	ESTIMATION WITH PARTS
<b>H</b>	REPAIRED MECHANICAL PARTS	<b>X</b>	ESTIMATION WITHOUT PARTS
<b>I</b>	S/B MODIFICATION	<b>Y</b>	RETURN WITHOUT REPAIR
<b>J</b>	REMOVED COMPONENT(S)	<b>Z</b>	SET EXCHANGE
<b>K</b>	ADDED COMPONENTS	<b>1</b>	SOFTWARE CORRECTION
<b>L</b>	FUNCTIONAL CHECK	<b>2</b>	SOFTWARE UPGRADE
<b>M</b>	SPECIFICATION MEASUREMENT	<b>3</b>	PRODUCT UPGRADE (ON REQUEST)

EXAMPLE OF USE:

FLAG	SYMPTOM CODE	PART NO.	REF. NO.	SECTION/PCB	DEFECT CODE	REPAIR CODE	QTY
1	1 4 1 2 3 6 4 1	1 1 1 1 1 1 1 1 1 3 4 5 6 7 8 9 X X	R 1 2 3 . 1 1 1 . .	Y A 2 2 . T D M . .	R C	A B	1 0

FLAG: INDICATES THE ONE MAJOR SYMPTOM/PART COMBINATION BY '1'

Published by:  
Service Department Audio Systems

LINE OF BUSINESS AUDIO SYSTEMS

# SERVICE NEWSLETTER

**03.01 TYPENUMBER(S): ALL TYPENUMBERS**

- SYMPTOM** : POS stickers on cassette doors & loudspeaker boxes cannot be removed.
- CURE** : The stain-mark left behind from POS stickers can be removed by any cleaning fluid that does not attack plastic surfaces.  
One effective remover is the "Contact Cleaner Spray", available in most service workshops. The spray can be ordered with service codenumber 4822 389 50091.
- REMARKS** :

**03.02 TYPENUMBER(S): AS660C, AS665C, FW332, FW335, FW340C, FW342C, FW345C, FW352C, FW362, FW363, FW372C, FW373C, FW710C, MC130, MC150**

- INFORMATION** : **Correction Service Manual, partslist:**  
The service codenumber for the loudspeaker socket (pos. 1290) on the Power Board is missing. The socket can be ordered with 4822 265 10967.
- REMARKS** :

**03.03 TYPENUMBER(S): FW36, FW56, FW360C, FW650C**

- SYMPTOM** : The 7-disc changer is jamming.
- CURE** : The problem is caused by poor engagement between the worm gear of motor (pos. 30) and gear H (pos. 33) due to alignment between the 2 parts. The alignment is improved by modifying the metal bracket (pos. 31) for the motor.  
The improved metal bracket is now available with service codenumber 4822 466 11893.
- REMARKS** : See also Service Newsletter AS98.01.04.

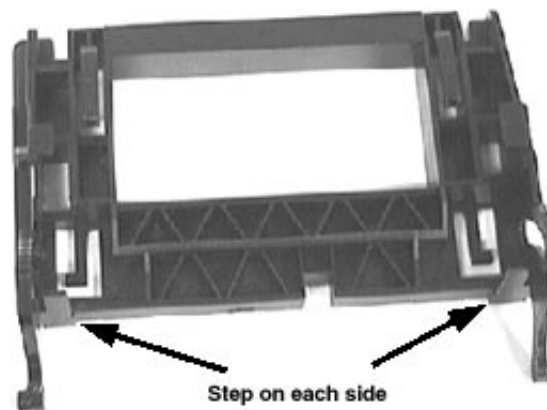
**03.04 TYPENUMBER(S): FW332**

**SYMPTOM** : Cassette door jams with cassette inside during eject

**CURE** : The problem is caused by deformation of the cassette door's plastic springs.

For repair the cassette door must be replaced by an improved cassette door. Improved cassette doors can be recognized by a step at the bottom edge of the door (see picture).

**REMARKS** : Improved cassette doors have been implemented in production from week 9802 onwards (sets with serial no. MA....). See also Service Newsletter AS97.01.17.



**03.05 TYPENUMBER(S): FW332/25**

**SYMPTOM** : The CD is still spinning when the CD door is opened and thus the CD gets damaged.

**CURE** : The problem is caused by software design. Repair on the old CD module is not feasible because of complicated re-work (exchange of CD board). New improved CD modules (with new CD board) have been implemented in production from week 9729 onwards.

**REMARKS** : Improved CD module information is published in Service Information A97-179.

**03.06** TYPENUMBER(S): **FW362, FW363, FW372C, FW373C, FW382V, FW383V, FW395C, FW710C, FW725C, FW730C, FW745C, FW750C, FW770P, FW780P, FW790P, M7C, M17C, M18C, M27C, M28C, M37DC, M38C, M48DC, MX545, MX555**

SYMPTOM : Cassette door jams because the R/P-head is fully retracted after "STOP".

CURE : The likely cause is that the cam gear screw-hole is cracked. The problem can only be solved by replacing the complete deck. Improved tape mechanisms have been implemented in production from week 9743 onwards.

REMARKS : See also Service Newsletters AS97.03.08 and AS97.04.07.

**03.07** TYPENUMBER(S): **FW372C**

INFORMATION : High failure rate of power amplifier AN7164 when used continuously on high volume setting.  
For service repair AN7164N (4822 209 16327) should be used because of its higher supply voltage working range (Vcc=8.3V to 30.0V).

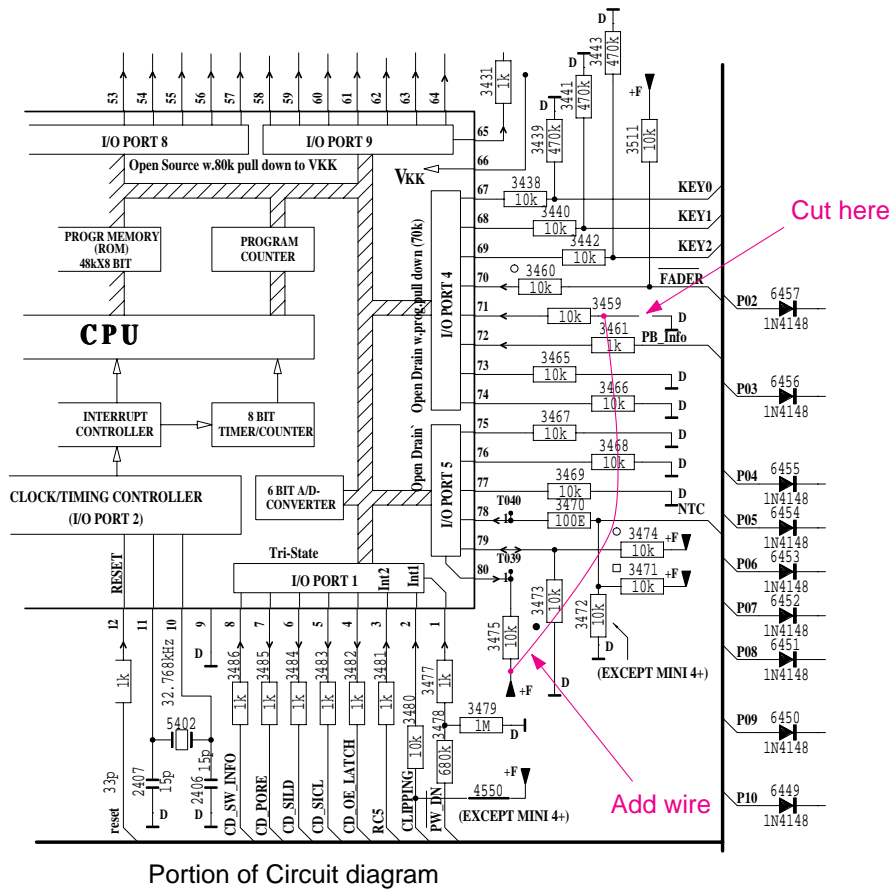
REMARKS :

**03.08** TYPENUMBER(S): **FW391C**

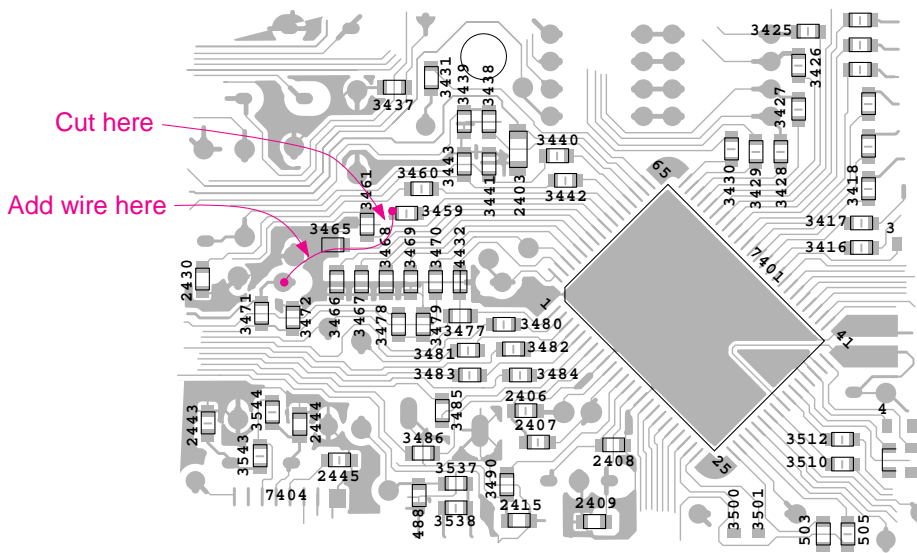
SYMPTOM : When the set is tuned to an FM-station and power is switched off and on again after 3 seconds, the display shows the last tuned FM-frequency, but actually an AM-station is audible.

CURE : The phenomenon is caused by mismatch of software and hardware timing. The problem can be solved by the following hardware modification on the front board:  
1. Cut a copper track between resistor 3459 (10kΩ) and ground D.  
2. Connect a short wire between resistor 3459 to +F supply (+5V).  
For details on this rework, see circuit and layout diagram below.

REMARKS :



Portion of Circuit diagram



Portion of Layout diagram

**03.09 TYPENUMBER(S): FW750C**

**SYMPTOM** : Set switches automatically to DEMO mode, and the clock is reset to 00.00hr

**CURE** : The problem occurs most likely due to a bad connection between connectors CN1401 to CN1501 (contaminated contact pins).  
**Solution:** Remove and plug back the connectors.

**REMARKS** :

**03.10 TYPENUMBER(S): FW780P**

**SYMPTOM** : Set does not read the particular CD "Indian Sound – ANUBHAVAM PUDUMAI".

**CURE** : The 3-CDC module in the set was unable to read the CD because it does not fulfil the generic CD standards according to the Optical Recording Lab at Philips Eindhoven. However, sets with the 3-CDC MG module can read the CD. 3-CDC MG modules have been introduced in production from week 9738 onwards (see Service Information A97-167).

**REMARKS** :

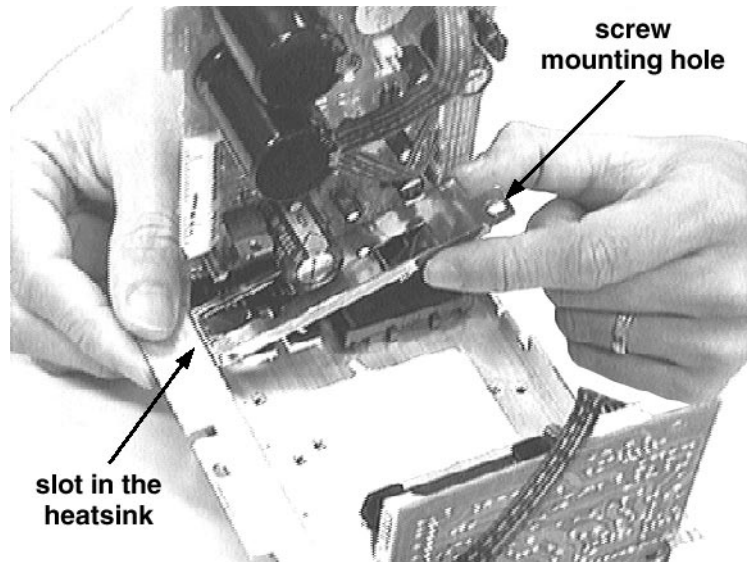
**03.11 TYPENUMBER(S): FW790P**

**SYMPTOM** : Power transistor 7302 (BD242BF1) and Dolby Pro-logic decoder 7501 (M69032) are defective.

**CURE** : The metal bracket, clamping transistor 7302 onto the heatsink for proper heat dissipation, is missing. This causes the C-E-line of the transistor to short circuit. As a result the supply voltage of the Dolby Pro-logic decoder becomes 18V, which damages the device.

Working procedure for mounting of metal bracket:

1. Dismantle the set and take out the Power 1 Module.
2. Insert one end of the metal bracket (4822 402 10969) into the slot provided in the heatsink (see picture below).  
Use a self-tapping screw D2.9x13 to mount the other end of the bracket onto the heatsink. The bracket will press transistor and bridge rectifier onto the heatsink for max. heat dissipation.



Note: In the picture one pc board and the fan/bracket is removed for photographing purpose only. This is not necessary for mounting of metal bracket.

**IMPORTANT INFORMATION**

**All sets brought in for repair must be checked if the metal bracket is assembled !!**

**REMARKS** :



Published by:  
Service Department Audio Systems

LINE OF BUSINESS AUDIO SYSTEMS

# SERVICE NEWSLETTER

**02.01** TYPENUMBER(S): **MC135**

- SYMPTOM** : Hum is audible in standby mode
- CURE** : In Addition to Service Newsletter AS98.01.09, mechanical noise from power transformer might also be audible. To solve this problem, following actions have been taken in production:
- 1) The construction of the power transformer has been modified. The code number of the improved transformer remains unchanged. It can be recognized by the metal band which is grey in colour.
  - 2) 4 fibre washers between the power transformer and the bottom chassis have been added. The size (id x od x t) of the fibre washer is 4 x 8 x 1mm. It is also available from PCS via service code 4822 532 12975
- REMARKS** : Modification has been implemented in production from week 9801 onwards.

**02.02** TYPENUMBER(S): **MC135, MC155**

- SYMPTOM** : RDS information cannot be displayed in area with crowded stations.
- CURE** : Solution is to shift the VCO frequency of IC505 by changing the value of the following capacitors:  
C527 : changed from 82pF to 33pF (5322 122 32072)  
C528 : changed from 47pF to 22pF (5322 122 32143)  
Measure the frequency at pin 14 of IC505 to be within 4.33204MHz ±200kHz.
- REMARKS** : Modification has been implemented in production from week 9749 onwards.

**02.03** TYPENUMBER(S): **FR732, FR752**

SYMPTOM : Sound is too loud at first volume step.

CURE : Problem occurs only when Dolby Prologic Surround is activated.  
It cannot be solved by an ordinary repair procedure. We suggest to advise customer to switch the Dolby Prologic Surround OFF when enjoying quiet programmes. Dolby Prologic Surround is intended to be used for home theatre entertainment.

REMARKS :

Published by:  
Service Department Audio Systems

LINE OF BUSINESS AUDIO SYSTEMS

# SERVICE NEWSLETTER

**01.01** TYPENUMBER(S): **AS670C, AS675C, AS785C, FW315C, FW340C, FW355C, FW365C, FW373C, FW375P, FW385P, FW710C, FW725C, FW730C, FW745C, FW750C, FW770P, FW780P, FW790P**

**INFORMATION** : **Error in parts list for (old) CDC-3 changer module**  
On page 10-12 of the Service Manual the service codenumber for flexfoil 17p is published. This cable is not used in the module. The correct flexfoil (15 pins instead of 17 pins) is published on page 10-14 as item 8002, service codenumber 4822 320 11313.

**REMARKS** : This correction is only valid for old CDC-3 changer modules with pc board printing 3104 113 3109.

**01.02** TYPENUMBER(S): **AS670C, FW355C, FW375P, FW385P, FW725C, FW730C, FW780P**

**INFORMATION** : **Power4 module**  
Following changes have been introduced in course of production:

1. Capacitor 2251 has been changed from 470µF to 100µF (4822 124 40225). The capacitor has been rotated by 90° from layout change stage .5 to .6.
2. To reduce risk of destroying power amplifier in worst case, diodes 6301 and 6351 (4-channel set only) have been changed from 24V type to 22V (4822 130 34441).
3. Layout stage has been changed from .6 to .7 to include possibility to stuff a fuse instead of resistor 3204 (3,3Ω NFR).
4. Elcaps 2205 and 2214 for 4-channel set have been deleted because they are no longer required.

**REMARKS** :

**01.03 TYPENUMBER(S): FR931**

SYMPTOM : Fluorescent display blinks at 75% power output level.  
The problem arises when the set is loaded with 2 loudspeaker boxes FB850 but it does not happen when loaded with 4 same loudspeaker boxes. No fault is found on the set.

CURE : The problem can be resolved by changing Zener diode D305 from 39V to 30V (4822 130 34328).

REMARKS :

**01.04 TYPENUMBER(S): FW36, FW56, FW360C, FW650C**

SYMPTOM : The 7-disc changer is jamming.

CURE : The cause of jamming is unclear but the changer works again when the mechanism is re-adjusted.  
When the problem re-occurs it is recommended to replace the entire mechanism. The service codenumber for the mechanism is 4822 691 10684.

REMARKS :

**01.05 TYPENUMBER(S): FW315, FW340C**

INFORMATION : **Missing service codenumber in Mechanical partslist**  
pos 216 4822 462 40683 Plate (Foot)

REMARKS :

**01.06 TYPENUMBER(S): FW352C**

INFORMATION : The following service codenumbers for the mains transformer are missing in the Service Manual.

Service code	Description
4822 146 10443	Mains transformer /21/30
4822 146 10712	Mains transformer /37
4822 146 10465	Mains transformer /22/25

REMARKS :

**01.07 TYPENUMBER(S): FW383V**

INFORMATION : **Correction to the parts list**  
Pos 224 should be  
4822 492 11086 Spring Compression instead of  
4822 492 11046 Cassette door spring.

REMARKS :

**01.08 TYPENUMBER(S): FW670P**

SYMPTOM : Distortion when playing back a recording made on this set.

CURE : ALC feedback capacitors 2737 and 2738 on combi board are missing.  
2737 4822 126 10002 100nF 20% 25V  
2738 4822 126 10002 100nF 20% 25V

REMARKS :

**01.09 TYPENUMBER(S): MC135**

SYMPTOM : Hum is audible in standby mode.

CURE : Cut the copper track which passes through the pins of CE556.  
Connect the grounding point of C523 to JP560 with a wire.  
For details see Service Information A97-588 (4822 725 25646).

REMARKS : Modification has been implemented in production from week 9742 onwards.

**01.10 TYPENUMBER(S): MC172/30**

INFORMATION : **Correction to the partslist**  
The service codenumber for the microprocessor should be  
4822 209 15766 with marking "170S51551" instead of  
4822 209 15767 published on page 6-6 in the Service Manual.

REMARKS :

Published by:  
Service Department Audio Systems

LINE OF BUSINESS AUDIO SYSTEMS

**DCC**

**01.11** TYPENUMBER(S): **DCC730, DCC951**

INFORMATION : A small quantity of complete Digital Deck Units is available with service codenumber 4822 691 10666.

REMARKS :