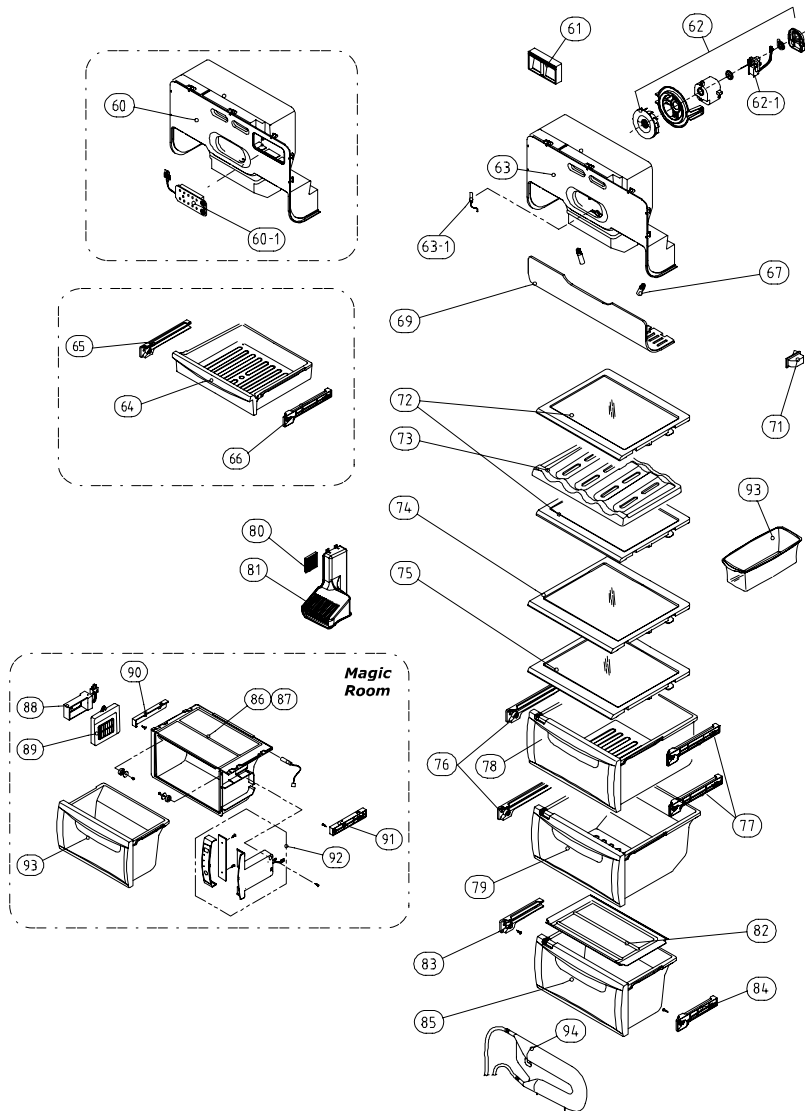


NO	PART-CODE	PART NAME	SPEC.	Q'ty				
				20IA	20DA	20EA	20FA	20GA
29	3010340400	BASE COMP AS	FRU-571I	1	1	1	1	1
31		CORD POWER AS		1	1	1	1	1
34		CAPACITOR RUN	Model dependent	1	1	1	1	1
35		COMP	Model dependent	1	1	1	1	1
36	3016002500	SPECIAL WASHER	SK-5, T0.8	4	4	4	4	4
37	3010101600	RUBBER ABSORBER COMP	NBR (R-134a)	4	4	4	4	4
	3010101480	ABSORBER COMP AS	FRU-541D (R-600a)					
39		SWITCH P RELAY AS	Model dependent	1	1	1	1	1
40		COVER RELAY	Model dependent	1	1	1	1	1
41	3011181300	CASE VAPORI AS	PP	1	1	1	1	1
42	3013201710	HOSE DRN B	PE FRB-5350NT	1	1	1	1	1
43	3015402800	VALVE WATER AS	110~127V 60Hz	x	1	1	1	1
	3015402300		220~240V 50,60Hz					
44	3014461510	PIPE WICON AS	TSW OD4.76XT0.7	1	1	1	1	1
45	3012021700	FIXTURE MOTR	PP	1	1	1	1	1
46	3015916100	MOTOR C FAN AS	DC-2213DWCA-3	1	1	1	1	1
47	3018500300	M/BELL B	PP	1	1	1	1	1
48	3018500200	M/BELL A	PP	1	1	1	1	1
49	3011834700	FAN	ABS OD3.17XD150	1	1	1	1	1
50	3011200500	CLAMP FAN	SUS 304	1	1	1	1	1
51	3016808100	DRYER AS	C1220T	1	1	1	1	1
52	3011497000	COVER MACH ROOM AS	SBHG T0.35	1	1	1	1	1
95	3017053500	EVA AS	FRU-571I	1	1	1	1	1
95-1	3012818300	HEATER SHEATH AS	AC220V/ 192W	1	1	1	1	1
	3012818400		AC115V/ 192W					
95-2	3014806900	SENSOR D AS	PBN-43	1	1	1	1	1
95-3	3012023600	FIXTURE D SENS	PP	1	1	1	1	1
95-4	301720210	FUSE TEMP AS	AC250V 10A 77C	1	1	1	1	1

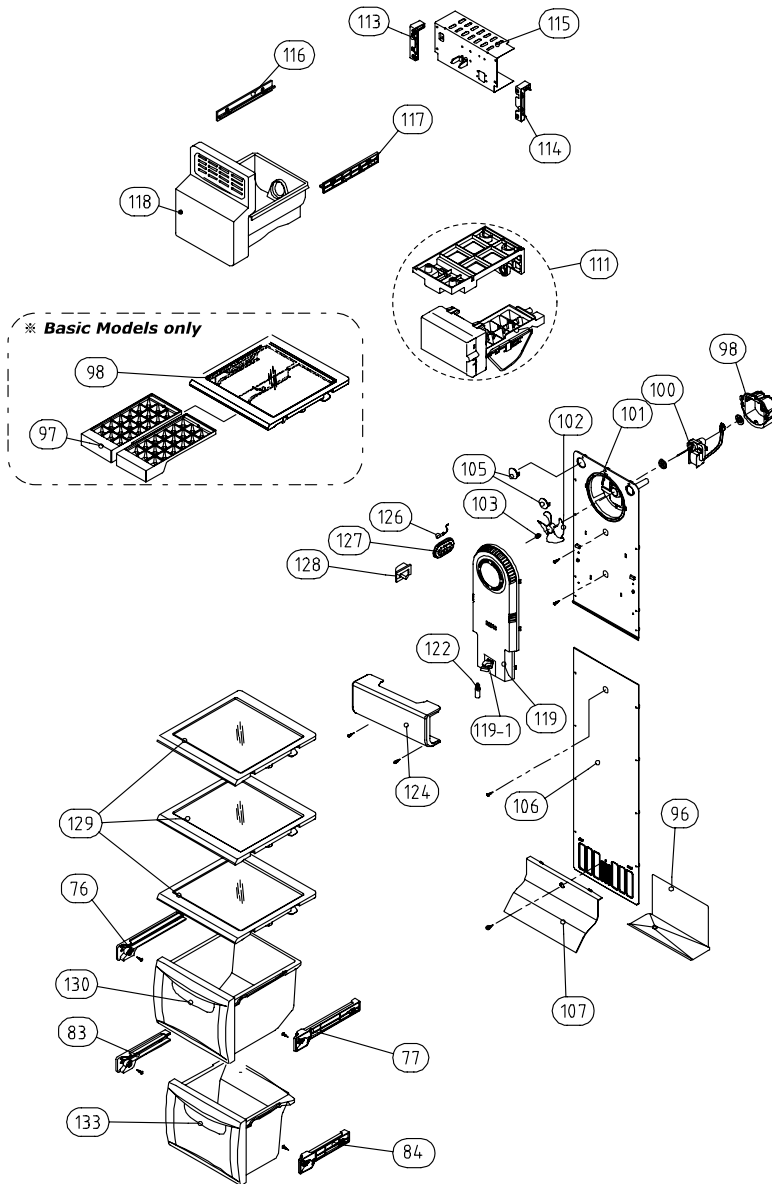
- Some parts can be chaged for improving their performace without notice.
- Above parts number doesn't describe your own colour & printing. Please remind!

Date	A mendment Note
07. 4. 5	No. 37 Q'ty change, 95-4 code change.
	Screw code delete, No. 95-5 'Fixture fuse temp' code delete.



NO	PART-CODE	PART NAME	SPEC.	Q'ty				
				20IA	20DA	20EA	20FA	20GA
60	<b>3011492810</b>	COVER DAMP AS	FRU-571I	1				
60-1	<b>3014235200</b>	PANEL CONTL *I AS		1				X
61	<b>3012214100</b>	FRAME CHECK VALVE AS	FRU-571I	1	1	1	1	1
62	<b>3012024200</b>	FIXTURE MOTR AS		1	1	1	1	1
62-1	<b>3015916000</b>	MOTOR R FAN	D4612AAA20	1	1	1	1	1
63	<b>3011495100</b>	COVER DAMP AS	FRU-541D	-	1	1	1	1
63-1	<b>3014807100</b>	SENSOR R AS	PBN-43B	1	1	1	1	1
64	<b>3011185710</b>	CASE CHILD	GPPS	1				
	<b>3011185740</b>		FRU-571I(NANO)					X
65	<b>3012514511</b>	GUIDE CASE A *L AS	HIPS	1				
66	<b>3012514611</b>	GUDIE CASE A *R AS	HIPS	1				
67	<b>3013602500</b>	LAMP F/R	AC 240V 25W(S)	2	2	2	2	2
	<b>3013602800</b>		AC 125V 25W					
69	<b>3015510800</b>	WINDOW R LAMP	MIPS	1	1	1	1	1
71	<b>3018124000</b>	SWITCH DR	SP201R-7DR (R-134a)	1	1	1	1	1
	<b>3018128500</b>		SPF101B-2D(R-600a)					
72	<b>3017842820</b>	SHELF INMOLDING R A AS	FRAME+PRINTED GLASS	2	2	2	2	2
73	<b>3017842500</b>	SHELF WINE	GPPS	x				Option
74	<b>3017843320</b>	SHELF INMOLDING R C AS	FRAME+PRINTED GLASS	1				X
75	<b>3017842920</b>	SHELF INMOLDING R B AS	FRAME+PRINTED GLASS	1	1	1	1	1
76	<b>3012514511</b>	GUIDE CASE A *L AS	HIPS	1	2	2	2	2
77	<b>3012514611</b>	GUDIE CASE A *R AS	HIPS	1	2	2	2	2
78	<b>3011109200</b>	CASE VEGETB A AS	CASE+FRAME	x	1	1	1	1
	<b>3011109230</b>		CASE(NANO)+FRAME					
79	<b>3011114600</b>	CASE VEGETB B AS	CASE+FRAME	1	1	1	1	1
	<b>3011114630</b>		CASE(NANO)+FRAME					
80	<b>3018701800</b>	DEO ANTI AS	W40XT5XL40	1	1	1	1	1
81	<b>3011445900</b>	COVER RETURN DUCT	PP	1	1	1	1	1
82	<b>3011446700</b>	COVER VEGETB CASE B	GPPS	1	1		1	
83	<b>3012529711</b>	GUIDE CASE C *L AS	HIPS	1	1		1	
84	<b>3012529811</b>	GUIDE CASE C *R AS	HIPS	1	1	x	1	x
85	<b>3011114700</b>	CASE VEGETB C AS	CASE+FRAME	1	1		1	
	<b>3011114730</b>		CASE(NANO)+FRAME					
86	<b>3011446800</b>	COVER CHANGE RM	GPPS			1		1
87	<b>3010548200</b>	BOX CHANGE RM	HIPS			1		1
88	<b>3016767100</b>	DAMPER AS	DU24-012			1		1
89	<b>3011450901</b>	COVER DUCT CH RM AS	PP+SEAL			1		1
90	<b>3012529500</b>	GUDIE CHANGE RM *L	ABS	x	x	1	x	1
91	<b>3012529600</b>	GUDIE CHANGE RM *R	ABS			1		1
92	<b>3010551000</b>	BOX CONTL CH RM AS				1		1
93	<b>3011115000</b>	CASE CHANGE RM AS	CASE+FRAME+GASKET			1		1
	<b>3011115020</b>		CASE(NANO)+FRAME+GASKET					
93	<b>3011171310</b>	CASE EGG AS	CASE+VINYL	1	1	1	1	1
94	<b>3018201000</b>	TANK WATER AS	FRU-541D	x	1	1	1	1

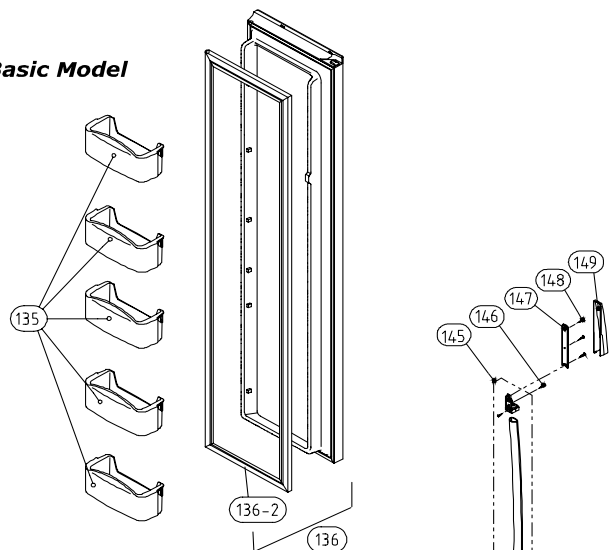
- **Some parts can be chaged for improving their perfomance without notice.**
- **Above parts number doesn't describe your own colour & printing. Please remind!**



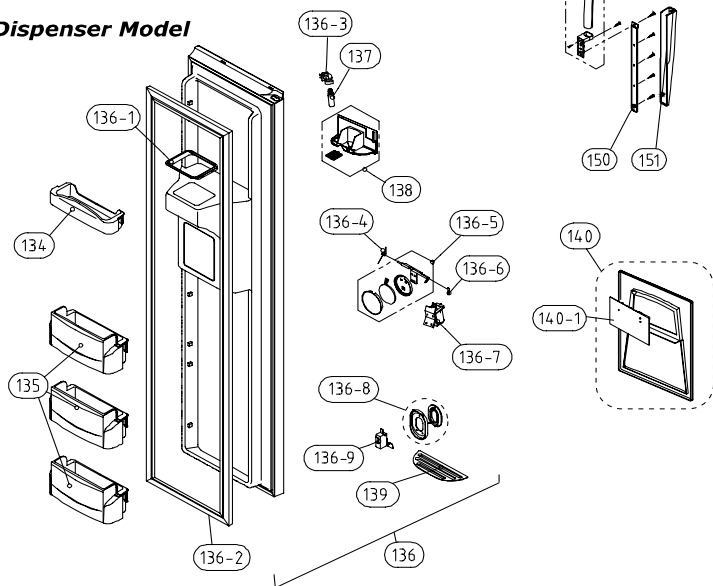
NO	PART-CODE	PART NAME	SPEC.	Q'ty				
				201A	20DA	20EA	20FA	20GA
76	<b>30125145 11</b>	GUIDE CASE A *L AS	HIPS	1	1	1	1	1
77	<b>30125146 11</b>	GUIDE CASE A *R AS	HIPS	1	1	1	1	1
83	<b>30125297 11</b>	GUIDE CASE C *L AS	HIPS	1	1	1	1	1
84	<b>30125298 11</b>	GUIDE CASE C *R AS	HIPS	1	1	1	1	1
96	<b>3012529000</b>	GUIDE DRN	GA	1	1	1	1	1
97	<b>3011186300</b>	CASE ICE	PP	2	x			
98	<b>3017842710</b>	SHELF F ICE AS	FRAME+PRINTED GLASS+FIXTURE	1				
100	<b>3015915900</b>	MOTOR F FAN	D4612AAA21	1	1	1	1	1
101	<b>3018921300</b>	LOUVER F A	ABS	1	1	1	1	1
102	<b>3011834500</b>	FAN	ABS OD3.17XD130	1	1	1	1	1
103	<b>3011200510</b>	CLAMP FAN	SUS 304	1	1	1	1	1
105	<b>3010968600</b>	CAP F LOUVER B	HIPS	2	2	2	2	2
106	<b>3018921501</b>	LOUVER F B AS	HIPS	1	1	1	1	1
107	<b>3011443200</b>	COVER F RETURN	HIPS	1	1	1	1	1
111	<b>3012205810</b>	FRAME ICE MAKER AS	FRU-541D(R-134a)	x	1	1	1	1
	<b>3012205820</b>		FRU-541D(R-600a)		1	1	1	1
113	<b>3012517800</b>	GUIDE G/MOTR BRKT *L	ABS		1	1	1	1
114	<b>3012517900</b>	GUIDE G/MOTR BRKT *R	ABS		1	1	1	1
115	<b>3010658220</b>	BRACKET GEARED MOTR AS	(MOLD/DY) 110~127V/60Hz		1	1	1	1
	<b>3010658150</b>		(MOLD/DY) 220V/60Hz		1	1	1	1
	<b>3010658110</b>		(MOLD/DY) 220~240V/50Hz		1	1	1	1
116	<b>3012520510</b>	GUIDE ICE CRUSHER *L	ABS		1	1	1	1
117	<b>3012517710</b>	GUIDE ICE CRUSHER *R	ABS		1	1	1	1
118	<b>3011115202</b>	CASE I/CRUSHER AS	FRU-541D		1	1	1	1
119	<b>30014017 50</b>	COVER F FAN AS	FRU-571I	1	x			
	<b>3001401760</b>		FRU-541/547/549/54B	x	1	1	1	1
119-1	<b>3017906610</b>	SOCKET F LAMP AS	FR-S570FRB	1	1	1	1	1
122	<b>3013602500</b>	LAMP F	AC 240V 25W(S)	1	1	1	1	1
	<b>3013602800</b>		AC 125V 25W	1	1	1	1	1
124	<b>3015510700</b>	WINDOW F LAMP	MIPS	1	1	1	1	1
126	<b>3014807000</b>	SENSOR F AS	PT-38	1	1	1	1	1
127	<b>3011442600</b>	COVER F SENS	ABS	1	1	1	1	1
128	<b>3018124010</b>	SWITCH DR	SP201R-7DR (R-134a)	1	1	1	1	1
	<b>3018128500</b>		SPF101B-1D (R-600a)	1	1	1	1	1
129	<b>3017842600</b>	SHELF F AS	PRINTED GLASS	3	3	3	3	3
130	<b>3011114800</b>	CASE F A AS	CASE+FRAME	1	1	1	1	1
	<b>3011114830</b>		CASE(NANO)+FRAME	1	1	1	1	1
133	<b>3011114900</b>	CASE F B AS	CASE+FRAME	1	1	1	1	1
	<b>3011114930</b>		CASE(NANO)+FRAME	1	1	1	1	1

Date	Amendment Note
07. 4. 5.	No.76,77,83,84,119(ECM) code change.

※ Basic Model



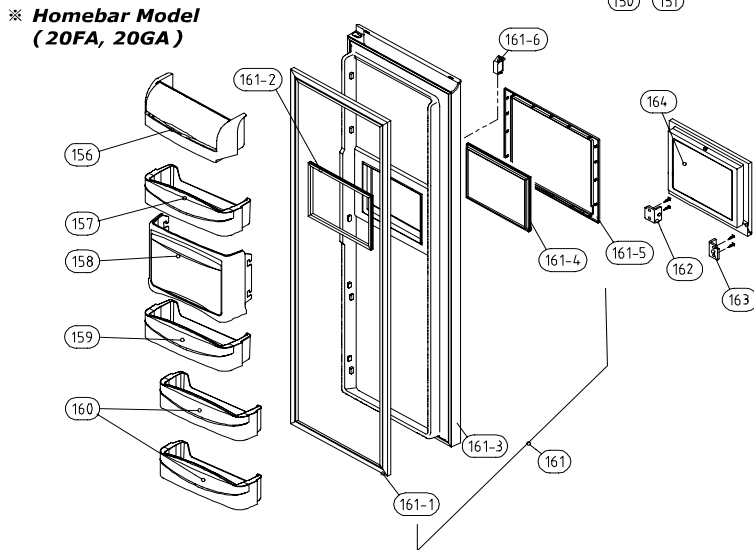
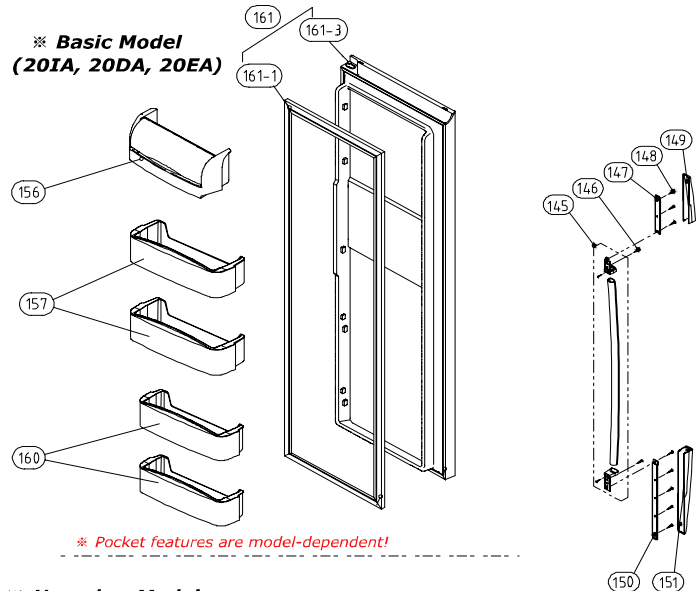
※ Dispenser Model



NO	PART-CODE	PART NAME	SPEC.	Q'ty				
				201A	20DA	20EA	20FA	20GA
134	<b>3019026700</b>	POCKET F *T	HIPS	X	1	1	1	1
135	<b>3019026600</b>	POCKET F	HIPS	5	3	3	3	3
136	<b>3000060410</b>	ASSY F DR	FRU-541D	1	X	X	X	X
	<b>3000060400</b>		FRU-571I	X	1	1	1	1
136-1	<b>3010964601</b>	CAP ICE PATH FRAME	PP(FRS-551F)	X	1	1	1	1
136-2	<b>3012318810</b>	GASKET F DR AS	PVC+MAGNET	1	1	1	1	1
136-3	<b>3017903702</b>	SOCKET LAMP AS	220V 15W	X	1	1	1	1
136-4	<b>3015102200</b>	SPRING ICE D LEVR	SUS	X	1	1	1	1
136-5	<b>3011495300</b>	COVER I/FLAP AS	FRU-541D	X	1	1	1	1
136-6	<b>3012019700</b>	FIXTURE I/SHUT LUVR	FR-5650CD	X	1	1	1	1
	<b>3015402100</b>		220V 60HZ	X	1	1	1	1
	<b>30154031 20</b>		110~127V/60z					
	<b>301540 3000</b>		220~240V/50Hz					
136-8	<b>3016304900</b>	BUTTON DISPNS AS	FRU-541D	X	1	1	1	1
136-9	<b>3018125800</b>	SWITCH MICRO	VP333A-2D	X	1	1	1	1
137	<b>3013600020</b>	LAMP AS	240V/15W	X	1	1	1	1
	<b>3013600050</b>		110V/15W					
138	<b>3010544000</b>	BOX DISPNS I/SHUT AS	FRU-541D	X	1	1	1	1
139	<b>3012406900</b>	GRILLE DISPNS	ABS	X	1	1	1	1
140	<b>3011494700</b>	COVER DISPNS BOX AS	FRU-541D	X	1	1	1	1
140-1	<b>30143D5160</b>	PCB FRONT AS	FRU-541F	X	1	1	1	1
145	<b>3012641500</b>	HANDLE AS	FRU-571I	1	1	1	1	1
146	<b>3016002700</b>	SPECIAL SCREW	WASR+TR55X16MFZN	2	2	2	2	2
147	<b>3010339500</b>	BASE HANDLE *T	HIPS	1	1	1	1	1
148	<b>7112401211</b>	SCREW TAPPING	T1 TRS 4*12 MFZN	8	8	8	8	8
149	<b>3011446400</b>	COVER HNDLDECO *T	ABS+SPRAY	1	1	1	1	1
150	<b>3010339600</b>	BASE HANDLE *U	HIPS	1	1	1	1	1
151	<b>3011446500</b>	COVER HNDLDECO *U	ABS+SPRAY	1	1	1	1	1

- Some parts can be changed for improving their performance without notice.  
 - Above parts number doesn't describe your own colour & printing. Please remind!

Date	Amendment Note
07. 4. 6.	No.136-7 code change, No. 136 Renumbering.



NO	PART-CODE	PART NAME	SPEC.	Q'ty				
				20IA	20DA	20EA	20FA	20GA
145	3012641500	HANDLE AS	FRU-571I	1	1	1	1	1
146	3016002700	SPECIAL SCREW	WASR+TRSS5X16MFZN	2	2	2	2	2
147	3010339500	BASE HANDLE *T	HIPS	1	1	1	1	1
148	7112401211	SCREW TAPPING	T1 TRS 4*12 MFZN	8	8	8	8	8
149	3011446400	COVER HNDLDECO *T	ABS+SPRAY	1	1	1	1	1
150	3010339600	BASE HANDLE *U	HIPS	1	1	1	1	1
151	3011446500	COVER HNDLDECO *U	ABS+SPRAY	1	1	1	1	1
156	3019027500	POCKET DAIRY AS	FRU-571I	1	1	1	1	1
157	3019027200	POCKET R *M AS	FRU-541D	x	2	2	1	1
	3019026800	POCKET R	FRU-571I	2	x			
158	3011187000	CASE H/BAR AS	FRU-541F	x			1	1
159	3019027700	POCKET R H/BAR AS	FRU-541F	x			1	1
160	3019027300	POCKET R *S AS	FRU-541D	x	2	2	2	2
	3019026900	POCKET R *S	FRU-571I	2	x			
161	3000060510	ASSY R DR	FRU-541F	x			1	1
	3000060500	ASSY R DR	FRU-571I	1	1	1	-	
161-1	3012318900	GASKET R DR AS	PVC	1	1	1	1	1
161-2	3012319300	GASKET H/BAR B AS	PVC	x			1	1
161-3	3000058000	ASSY R DR URT	FRU-541F	x			1	1
	3000058010	ASSY R DR URT	FRU-571I	1	1	1	x	
161-4	3012319400	GASKET H/BAR A AS	PVC	x			1	1
161-5	3011497200	COVER FRAME H/BAR	ABS	x			1	1
161-6	3018125600	SWITCH H/BAR DR AS	SP101B-2D1(T)	x			1	1
162	3015204500	STOPPER H/BAR DR *R	PO T4.0	x			1	1
163	3015204400	STOPPER H/BAR DR *L	PO T4.0	x			1	1
164	3011765000	DOOR H/BAR URT AS	FRU-541F	x			1	1

- Some parts can be changed for improving their performance without notice.
- Above parts number doesn't describe your own colour & printing. Please remind!

Date	Amendment Note
07. 4. 6.	No. 161 Renumbering.