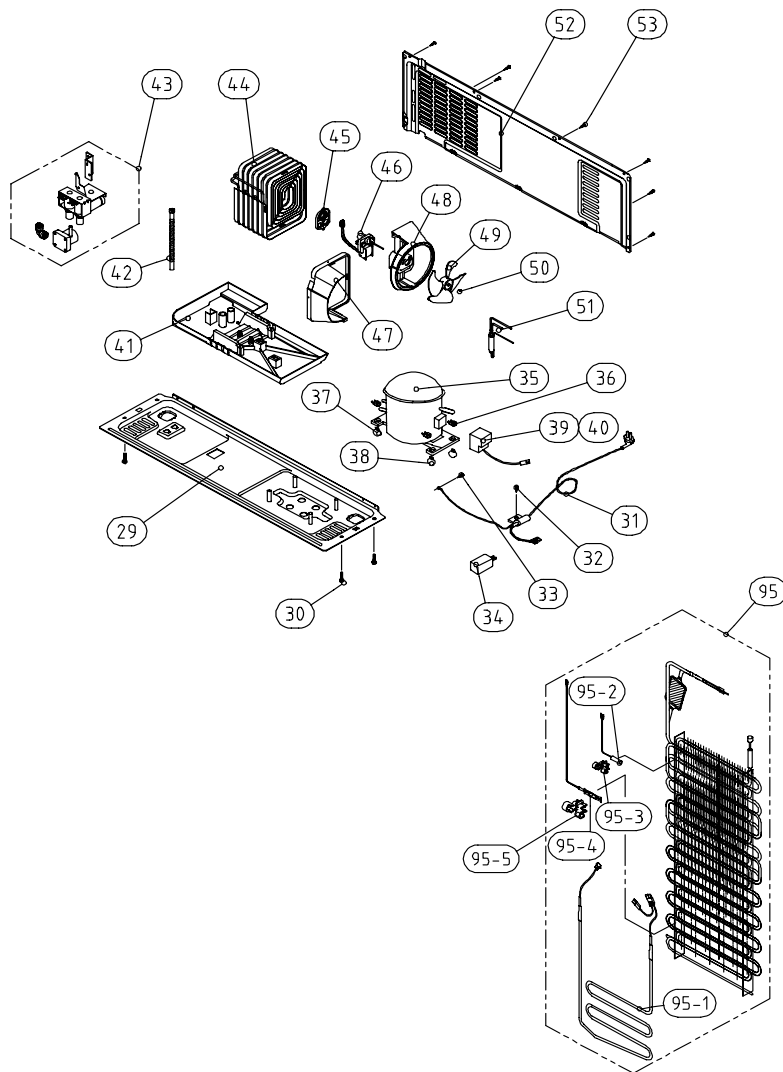


NO	PART-CODE	PART NAME	SPEC.	Q'ty				
				20IB	20DB	20EB	20FB	20GB
1		ASSY CAB URT		1	1	1	1	1
2	3012924400	HINGE *T *R AS	PO T3.0+PAINT	1	1	1	1	1
3	3012924300	HINGE *T *L AS	PO T3.0+PAINT	1	1	1	1	1
4	3016042300	SPECIAL *T HI BOLT	6X13 SWCH18A	2	2	2	2	2
5	7051401065	SCREW MACHINE	PAN 4X10 SW BSNI	1	1	1	1	1
6	3011446200	COVER *T HI *R	PP	1	1	1	1	1
7	3011446100	COVER *T HI *L	PP	1	1	1	1	1
8	7112401211	SCREW TAPPING	T1 TRS 4X12 MFZN	2	2	2	2	2
9	3010968400	CAP CAB COVER	PP	2	2	2	2	2
10	7112401211	SCREW TAPPING	T1 TRS 4X12 MFZN	2	2	2	2	2
11	30143D6061	PCB MAIN AS	FRU-571I (R-134a)	1				
	30143D5072	PCB MAIN AS	FRU-541F (R-134a)	-	1	1	1	1
12	3011446000	COVER MAIN PCB BOX	PP(V-235)	1	1	1	1	1
13	7112401211	SCREW TAPPING	T1 TRS 4X12 MFZN	4	4	4	4	4
14	3013224800	HOSE ICE MAKER TUBE AS	FRU-541D	-	1	1	1	1
15	3012530200	GUIDE CAB W/TUBE A AS	FRU-541D		1	1	1	1
16	3011444100	COVER GUIDE CAB W/T A	HIPS		1	1	1	1
17	3011202000	CLAMP WATER TUBE A	PA-66, 5N		2	2	2	2
18	3019974800	S/PAER FILTER WATER AS	FR-S660CW		1	1	1	1
19	3012924000	HINGE *U *R AS	P/O T5.0 + PAINT	1	1	1	1	1
20	3012923900	HINGE *U *L AS	P/O T5.0 + PAINT	1	1	1	1	1
21	3016001240	SPECIAL BOLT *T	6X22 SWCH22A(YL)	6	6	6	6	6
22	3010657200	BRACKET ADJ FOOT	SPCC T3.0	2	2	2	2	2
23	3012105100	FOOT ADJ AS	PP	2	2	2	2	2
24	3016001240	SPECIAL BOLT *T	6X22 SWCH22A(YL)	2	2	2	2	2
25	3013064200	HOLDER TUBE A	ACETAL	1	1	1	1	1
26	3012019500	FIXTURE TUBE FIT B	PP	2	2	2	2	2
27	3011447200	COVER CAB BRKT	PP	1	1	1	1	1
28	7142401511	SCREW TAPPING	T2 TRS 4X16 MFZN	3	3	3	3	3

- Some parts can be chaged for improving their performace without notice.

- Above parts number doesn't describe your own colour & printing. Please remind!

Date	A mendment Note

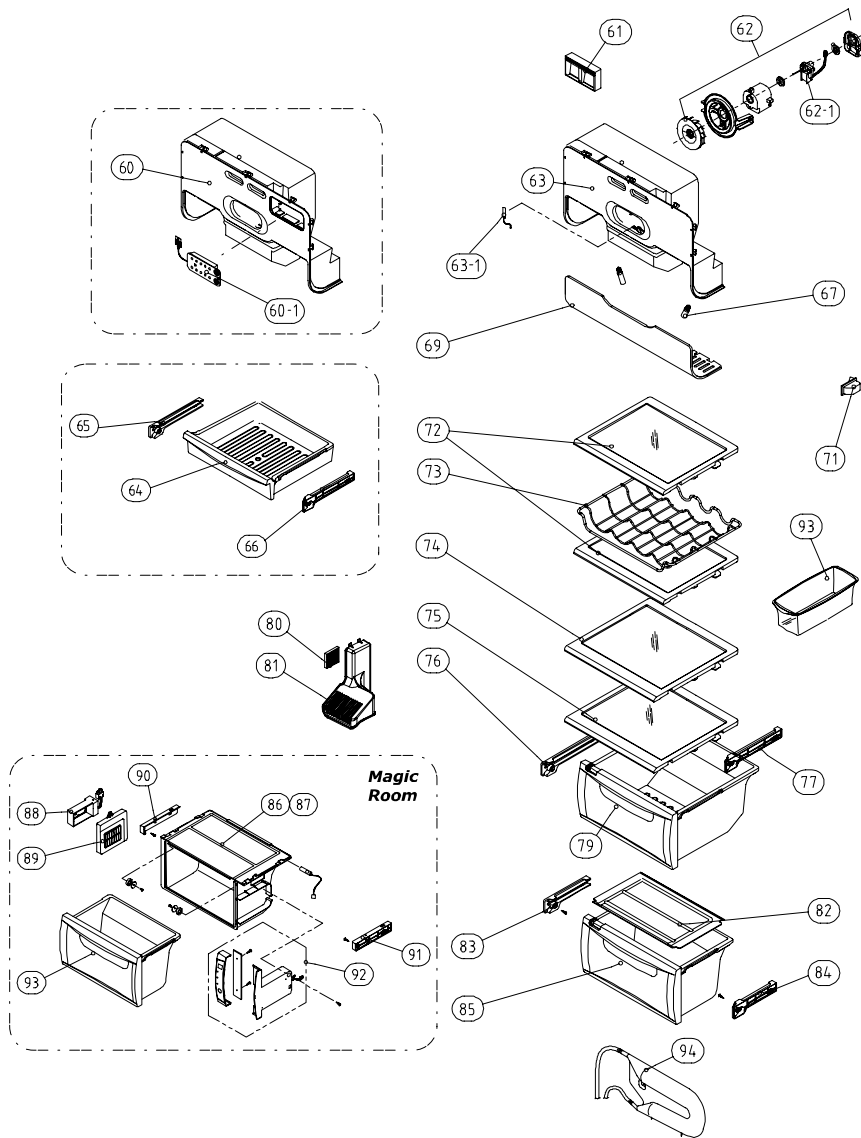


NO	PART-CODE	PART NAME	SPEC.	Q'ty				
				20IB	20DB	20EB	20FB	20GB
29	3010340400	BASE COMP AS	FRU-571I	1	1	1	1	1
30	3016003300	SPEICAL BOLT	T2 M6.5X20	4	4	4	4	4
31		CORD POWER AS		1	1	1	1	1
32	7112401211	SCREW TAPPING	T1 TRS 4X12 MFZN	1	1	1	1	1
33	7051401065	SCREW MACHINE	PAN 4X10 SW BSNI	1	1	1	1	1
34		CAPACITOR RUN	Model dependent	1	1	1	1	1
35		COMP	Model dependent	1	1	1	1	1
36	3016002500	SPECIAL WASHER	SK-5, T0.8	4	4	4	4	4
37	3010101600	RUBBER ABSORBER COMP	NBR	2	2	2	2	2
38	3010101480	ABSORBER COMP AS	FRU-541D	2	2	2	2	2
39		SWITCH P RELAY AS	Model dependent	1	1	1	1	1
40		COVER RELAY	Model dependent	1	1	1	1	1
41	3011181300	CASE VAPORI AS	PP	1	1	1	1	1
42	3013201710	HOSE DRN B	PE FRB-5350NT	1	1	1	1	1
43	3015402800	VALVE WATER AS	110~127V 60Hz	-	1	1	1	1
	3015402300		220~240V 50,60Hz					
44	3014461510	PIPE WICON AS	TSW OD4.76XT0.7	1	1	1	1	1
45	3012021700	FIXTURE MOTR	PP	1	1	1	1	1
46	3015916100	MOTOR C FAN AS	DC-2213DWCA-3	1	1	1	1	1
47	3018500300	M/BELL B	PP	1	1	1	1	1
48	3018500200	M/BELL A	PP	1	1	1	1	1
49	3011834700	FAN	ABS OD3.17XD150	1	1	1	1	1
50	3011200500	CLAMP FAN	SUS 304	1	1	1	1	1
51	3016808100	DRYER AS	C1220T	1	1	1	1	1
52	3011497000	COVER MACH ROOM AS	SBHG T0.35	1	1	1	1	1
53	7112401211	SCREW TAPPING	T1 TRS 4X12 MFZN	7	7	7	7	7
95	3017053500	EVA AS	FRU-571I	1	1	1	1	1
95-1	3012818300	HEATER SHEATH AS	AC220V/ 192W	1	1	1	1	1
	3012818400		AC115V/ 192W					
95-2	3014806900	SENSOR D AS	PBN-43	1	1	1	1	1
95-3	3012023600	FIXTURE D SENS	PP	1	1	1	1	1
95-4	301720200	FUSE TEMP AS	AC250V 10A 77C	1	1	1	1	1
95-5	4017Z90590	FIXTURE FUSE TEMP	PP	1	1	1	1	1

- Some parts can be chaged for improving their perfomance without notice.
- Above parts number doesn't describe your own colour & printing. Please remind!

Date	A mendment Note

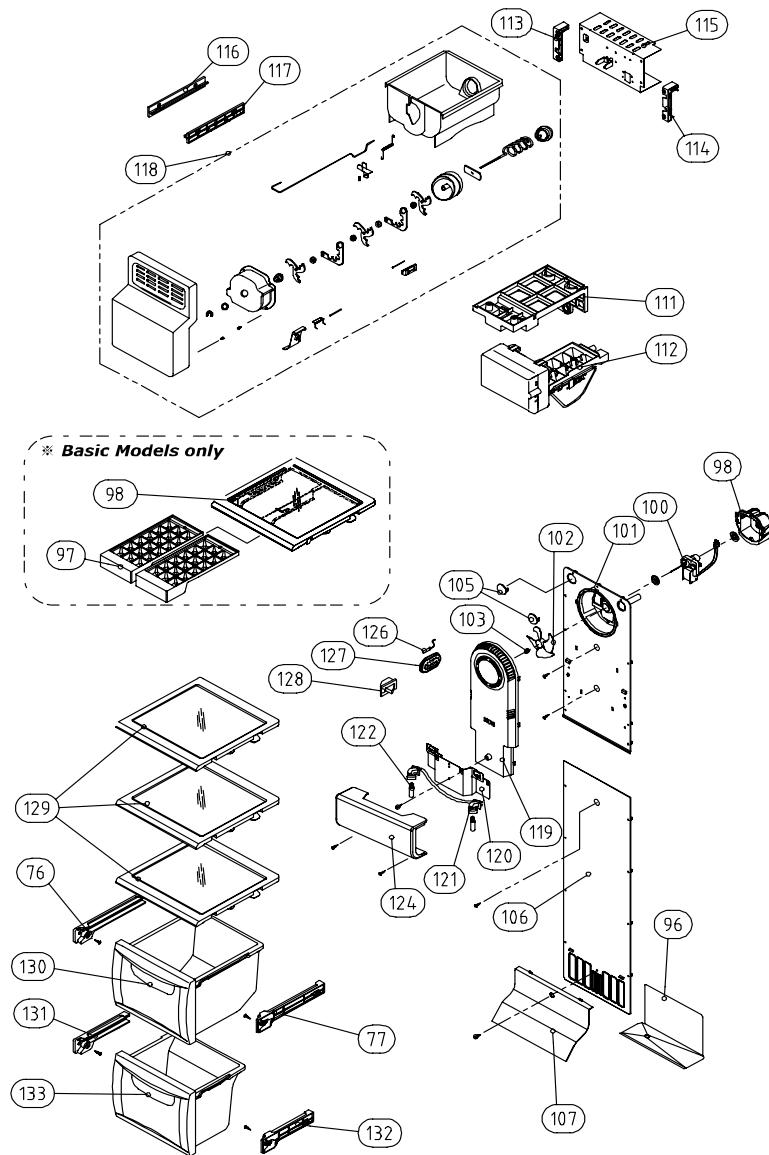
Refrigerator Room



NO	PART-CODE	PART NAME	SPEC.	Q'ty					
				20IB	20DB	20EB	20FB	20GB	
60	3011492810	COVER DAMP AS	FRU-571I	1					
60-1	3014235200	PANEL CONTL *I AS		1					
61	3012214100	FRAME CHECK VALVE AS	FRU-571I	1	1	1	1	1	
62	3012024200	FIXTURE MOTR AS		1	1	1	1	1	
62-1	3015916000	MOTOR R FAN	D4612AAA20	1	1	1	1	1	
63	3011495100	COVER DAMP AS	FRU-541D	-	1	1	1	1	
63-1	3014807100	SENSOR R AS	PBN-43B	1	1	1	1	1	
64	3012514500	GUIDE CASE A *L AS	ABS	1					
65	3011185740	CASE CHILD	GPPS(CRYSTAL)	1					
66	3012514600	GUDIE CASE A *R AS	ABS	1					
67	3013602500	LAMP F/R	AC 240V 25W(S)	2	2	2	2	2	
	3013602800	LAMP F/R	AC 125V 25W						
69	3015510800	WINDOW R LAMP	MIPS	1	1	1	1	1	
71	3018124000	SWITCH DR	SP201R-7DR (R-134a)	1	1	1	1	1	
72	3017842810	SHELF R A AS	NUDE GLASS	2					
	3017842800	SHELF R A AS	PRINTED GLASS	-	2	2	2	2	
73	3017844220	SHELF WINE	FRU-54,57 SUS304						Option
74	3017843300	SHELF R C AS	NUDE GLASS	1					
	3017843310	SHELF R C AS	PRINTED GLASS	-	1	1	1	1	
75	3017842910	SHELF R B AS	NUDE GLASS	1					
	3017842900	SHELF R B AS	PRINTED GLASS	-	1	1	1	1	
76	3012514500	GUIDE CASE A *L AS	ABS	1	1	1	1	1	
77	3012514600	GUDIE CASE A *R AS	ABS	1	1	1	1	1	
79	3011114630	CASE VEGETB B AS	NANO	1	1	1	1	1	
80	3018701800	DEO ANTI AS	W40XT5XL40	1	1	1	1	1	
81	3011445900	COVER RETURN DUCT	PP	1	1	1	1	1	
82	3011446700	COVER VEGETB CASE B	GPPS	1	1			1	
83	3012529700	GUIDE CASE C *L AS	ABS	1	1			1	
84	3012529800	GUIDE CASE C *R AS	ABS	1	1			1	
85	3011114730	CASE VEGETB C AS	NANO	1	1			1	
86	3011446800	COVER CHANGE RM	GPPS					1	
87	3010548200	BOX CHANGE RM	HIPS					1	
88	3016767100	DAMPER AS	DU24-012					1	
89	3011450901	COVER DUCT CH RM AS	PP+SEAL					1	
90	3012529500	GUDIE CHANGE RM *L	ABS					1	
91	3012529600	GUDIE CHANGE RM *R	ABS					1	
92	3010551000	BOX CONTL CH RM AS						1	
93	3011115040	CASE CHANGE RM AS	FRU-547E, CASE+FRAME					1	
93	3011170050	CASE EGG AS	CASE+TRAY+VINYL	1	1	1	1	1	
94	3018201000	TANK WATER AS	FRU-541D	-	1	1	1	1	

- **Some parts can be changed for improving their performance without notice.**

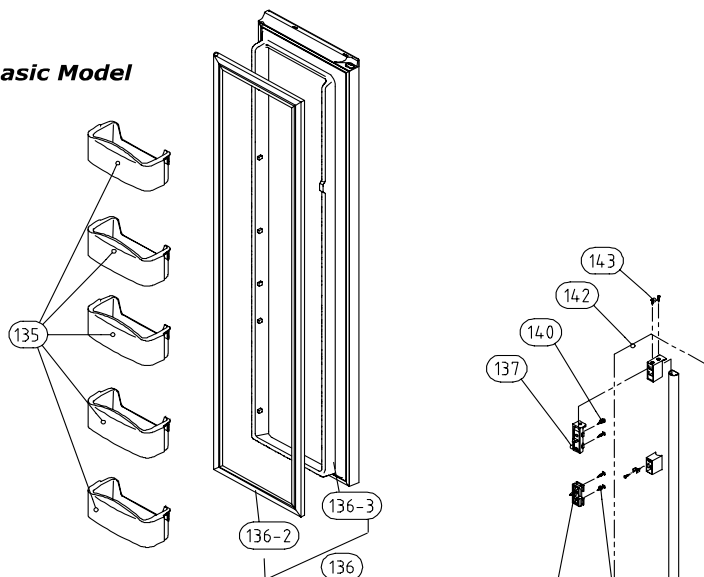
- **Above parts number doesn't describe your own colour & printing. Please remind!**



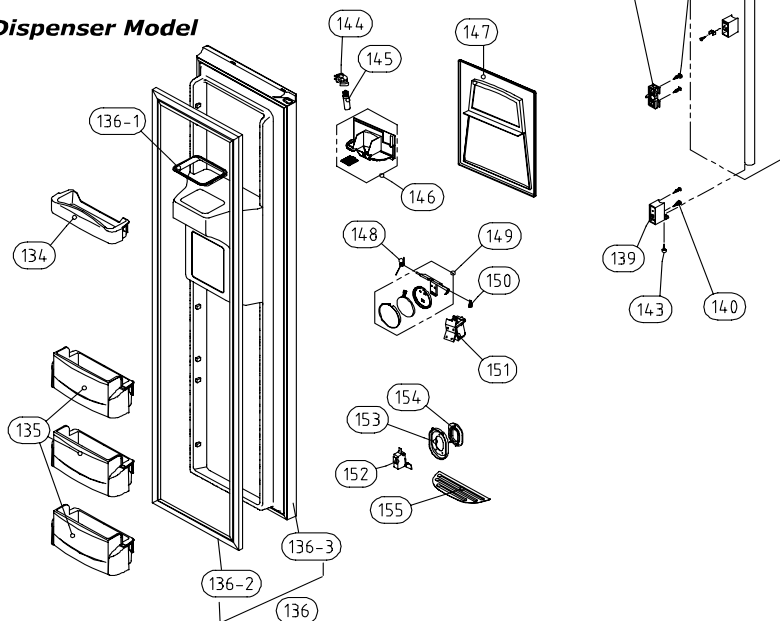
NO	PART-CODE	PART NAME	SPEC.	Q'ty				
				20IB	20DB	20EB	20FB	20GB
76	3012514500	GUIDE CASE A *L AS	ABS	1	1	1	1	1
77	3012514600	GUIDE CASE A *R AS	ABS	1	1	1	1	1
96	3012529000	GUIDE DRN	GA	1	1	1	1	1
97	3017842700	SHELF F ICE AS	NUDE GLASS	1				
98	3011186300	CASE ICE	PP	1				
100	3015915900	MOTOR F FAN	D4612AAA21	1	1	1	1	1
101	3018921300	LOUVER F A	ABS	1	1	1	1	1
102	3011834500	FAN	ABS OD3.17XD130	1	1	1	1	1
103	3011200510	CLAMP FAN	SUS 304	1	1	1	1	1
105	3010968600	CAP F LOUVER B	HIPS	2	2	2	2	2
106	3018921500	LOUVER F B AS	HIPS	1	1	1	1	1
107	3011443200	COVER F RETURN	HIPS	1	1	1	1	1
111	3012205600	FRAME ICE MAKER	HIPS		1	1	1	1
112	3000025910	CASE I/MAKER AS	FRU-541D		1	1	1	1
113	3012517800	GUIDE G/MOTR BRKT *L	ABS		1	1	1	1
114	3012517900	GUIDE G/MOTR BRKT *R	ABS		1	1	1	1
115	3010656500	BRACKET GEARED MOTR AS	120V/60Hz		1	1	1	1
	3010658110		220~240/50Hz					
116	3012520510	GUIDE ICE CRUSHER *L	ABS		1	1	1	1
117	3012517710	GUIDE ICE CRUSHER *R	ABS		1	1	1	1
118	3011115202	CASE I/CRUSHER AS	FRU-541D		1	1	1	1
119	3001401701	COVER F FAN AS	FRU-571I	1				
	3001401711	COVER F FAN AS	FRU-541D	-	1	1	1	1
120	3014531900	PLATE F LAMP	SGCC T0.8	1	1	1	1	1
121	3017906600	SOCKET F LAMP AS	FRU-571I	1	1	1	1	1
122	3013602500	LAMP F/R	AC 240V 25W(S)	2	2	2	2	2
	3013602800		AC 125V 25W					
124	3015510700	WINDOW F LAMP	MIPS	1	1	1	1	1
126	3014807000	SENSOR F AS	PT-38	1	1	1	1	1
127	3011442600	COVER F SENS	ABS	1	1	1	1	1
128	3018124010	SWITCH DR	SP201R-7DL (R-134a)	1	1	1	1	1
129	3017842610	SHELF F AS	NUDE GLASS	3				
	3017842600	SHELF F AS	PRINTED GLASS	-	3	3	3	3
130	3011114800	CASE F A AS	NANO	1	1	1	1	1
131	3012529700	GUIDE CASE C *L AS	ABS	1	1	1	1	1
132	3012529800	GUIDE CASE C *R AS	ABS	1	1	1	1	1
133	3011114900	CASE F B AS	NANO	1	1	1	1	1

- Some parts can be changed for improving their performance without notice.
 - Above parts number doesn't describe your own colour & printing. Please remind!

※ Basic Model



※ Dispenser Model



NO	PART-CODE	PART NAME	SPEC.	Q'ty				
				20IB	20DB	20EB	20FB	20GB
134	3019026700	POCKET F *T	HIPS	1	1	1	1	1
135	3019027401	POCKET F AS	FRU-541D	-	3	3	3	3
	3019026600	POCKET F	FRU-571I	5	-	-	-	-
136	3000067600	ASSY F DR	FRU-547E, SUS	-	1	1	1	1
	3000067610	ASSY F DR	FRU-577I, SUS	1	-	-	-	-
136-1	3010964600	CAP ICE PATH FRAME	HIPS	-	1	1	1	1
136-2	3012318800	GASKET F DR AS	PVC	1	1	1	1	1
136-3	3000057940	ASSY F DR URT	FRU-547F	-	1	1	1	1
	3000057930	ASSY F DR URT	FRU-577I	1	-	-	-	-
137	3012027200	FIXTURE HNDL SUPORT *T	HIPS	1	1	1	1	1
138	3012018700	FIXTURE HNDL SUPORT *M	HIPS	2	2	2	2	2
139	3015311500	SUPPORTER HNDL *U	ABS+SPRAY	1	1	1	1	1
140	7002401011	SCREW MACHINE	TRS 4X10 MFZN	4	4	4	4	4
141	3016040100	SPECIAL SCREW HNDL	M5X20	4	4	4	4	4
142	3012645300	HANDLE BAR AS	FRU-577/547	1	1	1	1	1
143	3016040200	SPECIAL SCREW FRAME	4X14, S18C	2	2	2	2	2
144	3017903702	SOCKET DISP LAMP AS	250V 1A 14BASE	-	1	1	1	1
145	3013600020	LAMP AS	240V/15W	-	1	1	1	1
	3013600050	LAMP AS	110V/15W	-	1	1	1	1
146	3010544000	BOX DISPNS ICE SHUT AS	FRU-541D	-	1	1	1	1
147	3011494700	COVER DISPNS BOX AS	FRU-541D	-	1	1	1	1
148	3015102200	SPRING ICE D/LEVER	SUS	-	1	1	1	1
149	3011495300	COVER ICE FLAP AS	FRU-541D	-	1	1	1	1
150	3012019700	FIXTURE ICE SHUT LVR	SUS	-	1	1	1	1
151	3015404100	VALVE SOL DISP	110~115V/60Hz	-	1	1	1	1
	3015403200	VALVE SOL DISP	230V/50Hz	-	1	1	1	1
152	3018125800	SWITCH MICRO	VP333A-2D	-	1	1	1	1
153	3012213200	FRAME DISPNS BUTTON	ABS	-	1	1	1	1
154	3016304600	BUTTON DISPNS	SILICON	-	1	1	1	1
155	3012406900	GRILL DISPENSER	ABS	-	1	1	1	1

- Some parts can be chaged for improving their performance without notice.

- Above parts number doesn't describe your own colour & printing. Please remind!

Date	A mendment Note

