

8-2 Main Parts List

(SNA : SERVICE NOT AVAILABLE)

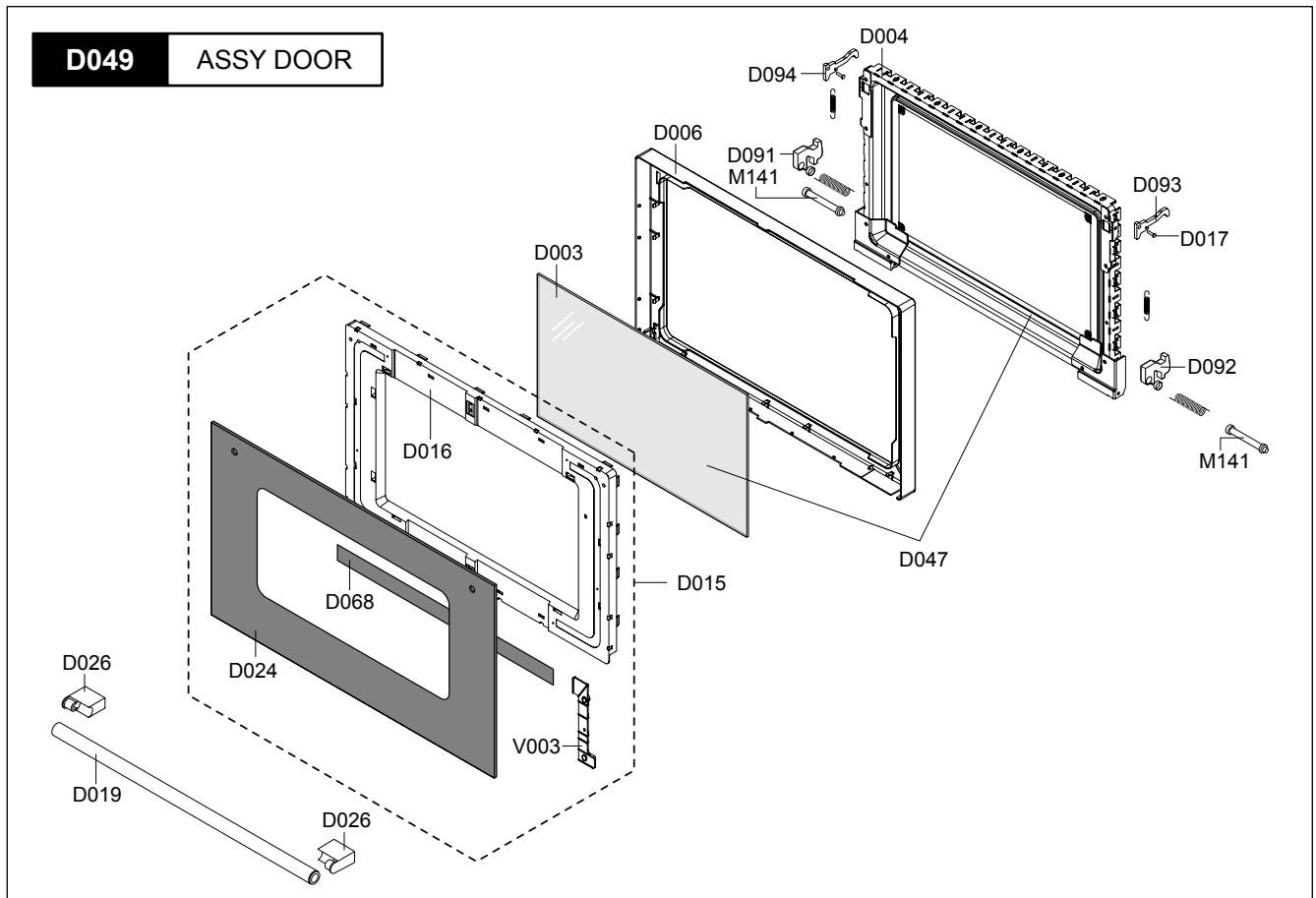
LEVEL	No.	Code No.	Description	Specification	Q'ty	SA/SNA	Remark
1-1	M038	DE26-00093A	TRANS H.V	SHV-EURO3,230/ 240V,50HZ,2360V/	1	SA	
1-1	M049	DE31-10173B	MOTOR DRIVE	M2LJ29A709,FQ159ST,-,FREE,-,	1	SA	
1-1	M054	DE32-10013A	SENSOR THERMISTOR	PT-312-K2,-,-,-,-,-,-	1	SA	
1-1	M007	DE47-00038A	HEATER-GRILL	SHG-M159E,FQ159ST,SUS309,27	1	SA	
1-1	U013	DE47-00040A	LAMP-HALOGEN	-,FQ159ST,-,-,-,-,-,40W,230	1	SA	
1-1	H013	DE47-20009A	THERMOSTAT	PW2N-520PB,160/60,250V/7.5A,H	1	SA	
1-1	H024	DE60-30015A	NUT-FLANGE	M5,P0.8,MSWR10,FEFZY,-,-,-,-,-	4	SA	MGT
1-1	H024	DE60-30016A	NUT-FLANGE	M4,MSWR10,-,-,-,-,-,-,-	3	SA	GRILL,PH- SENSOR
1-1	M048	DE61-00759A	BASE-PLATE	1.5 CONV,SGCC,T0.6,-,-,-,-,-	1	SA	
1-1	U007	DE61-00812A	BASE-BOTTOM	1.5 CONV,SGCC,T0.6,-,-,-,-,-	1	SA	
1-1	M233	DE61-00849A	BRACKET-GASKET HEATER	1.5 CONV,SECC,T2.0	1	SNA	
1-1	M113	DE61-00853A	SUPPORT-HEATER	1.5 CONV,ALUMINA,-,-,-,-,-	2	SA	
1-1	M005	DE61-70060A	SPRING-PLATE	-,SK-5,T0.5,-,-,-,-,-,-,-,-	2	SA	
1-1	M028	DE62-00057A	ADIABATIC-UPPER	1.5CONV,F/GLASS,T5.0,-,-	1	SNA	
1-1	P186	DE63-00341A	COVER-BACK	1.5CONV,SGCC,T0.6,-,-,-,-,-,-	1	SA	
1-1	M154	DE64-00844B	HANDLE-SET	FQ159ST,PP(TB53),-,-,-,-,-,BLK,	2	SA	OUTER PANEL
1-1	M001	DE64-01473A	PANEL-OUTER	1.5CONV,SECC,T0.6,-,-,-,-,-	1	SA	
1-1	P140	DE64-01543A	TRIM-L	1.5 CONV,SCP,-,1.0,-,BLK COATI	1	SA	
1-1	P139	DE64-01544A	TRIM-R	1.5 CONV,SCP,-,1.0,-,BLK COATI	1	SA	
1-1	M163	DE81-01463A	GLASS-LAMP	1.5 CONV,TEMP GLASS,T 2.0,-,-	1	SA	
1-1	M008	DE81-01464A	GASKET-HEATER	1.5 CONV,KSD 5103,C2700W,-	1	SA	
1-1	Z789	DE90-00808A	ASSY PACKING-RACK(SUB)	1.5 CONV SPP T0.6	1	SA	
1-2	T021	DE63-00339A	TRAY-CONVECTION	1.5 CONV,-,-,-,-,-,-,ENA	2	SA	
1-2	T075	DE66-00187A	WIRE-RACK(B)	1.5 CONV,MSWR 10,-,-,-,W413 D	1	SA	
1-1	B023	DE96-00184B	ASSY BODY LATCH-L	MT1044WB/XAA,TBMO/LEFT	1	SA	
1-2	B001	3405-001034	SWITCH-MICRO	125/250VAC,16A,200GF,SPST-N	1	SA	PRI-S/W
1-2	B016	DE61-00348A	BRACKET-BODY LATCH-L	TBMO,SGCC ,T0.8,-,-	1	SA	
1-2	B007	DE66-00115A	LATCH-BODY(L)	TBMO,PBT,-,-,-,-,BLK,TOAST/B	1	SA	
1-1	M015	DE96-00385A	ASSY POWER CORD	EU(ST),EURO,230V/50HZ,TL	1	SA	
1-1	W002	DE96-00512A	ASSY-WIRE HARNESS A	FQ159ST/XEG,230V50Hz	1	SA	
1-1	W003	DE96-00513A	ASSY-WIRE HARNESS B	FQ159ST/XEG,230V50Hz	1	SA	
1-1	B022	DE96-00518A	ASSY BODY LATCH-R	FQ159ST,1.5 CU.FT CONV	1	SA	
1-2	B002	3405-001032	SWITCH-MICRO	125/250VAC,16A,200GF,SPDT	1	SA	
1-2	B001	3405-001034	SWITCH-MICRO	125/250VAC,16A,200GF,SPST-N	1	SA	
1-2	B024	DE96-00519A	ASSY BODY LATCH-SUB	FQ159ST,1.5CU.FT,NYL	1	SA	
1-3	B006	DE66-00172A	LATCH-BODY	1.5 CONV,NYLON#66,GF15%,-,-,-,-	1	SNA	
1-3	B013	DE66-00173A	LEVER-SWITCH LOWER	1.5 CONV,NYLON#66,GF1	1	SNA	
1-1	C164	DE96-00524A	ASSY-HOLDER PCB	FQ159ST,1.5 CU.FT SPEED	1	SA	
1-2	C003	RCS-M1-00	ASSY PCB PARTS	FQ195ST/XEG,230V50HZ	1	SA	
1-1	M223	DE96-00525A	ASSY-BOTTOM HEATER	FQ159ST,230V50HZ1200W	1	SA	
1-2	M224	DE47-00039A	HEATER-BOTTOM	SHB-M159E,FQ159ST,SUS309,1	1	SA	
1-1	M225	DE96-00540A	ASSY-HOLDER-RACK	1.5 CONV,STSS+TEFRON	1	SA	
1-2	M097	DE61-00851A	HOLDER-SUPPORT	1.5 CONV,TEFRON,-,-,-,-,-	2	SNA	
1-2	M059	DE61-00852A	HOLDER-RACK	1.5 CONV,STSS304,-,-,-,-,-	2	SNA	
1-1	M053	DE96-00542A	ASSY-GUIDE-AIR	1.5 CONV,BRACKET+SPONGE	1	SA	
1-1	M172	DE96-00543A	ASSY-COVER-STIRRER	1.5 CONV,MAICA+PPS	1	SA	

8-2 Main Parts List (continued)

(SNA : SERVICE NOT AVAILABLE)

LEVEL	No.	Code No.	Description	Specification	Q'ty	SA/SNA	Remark
1-1	M227	DE96-00545A	ASSY-BRACKET-HVT	1.5 CONV,BRACKET	1	SA	
1-1	W004	DE96-00552A	ASSY-WIRE HARNESS C	FQ159ST/XEG,230V50Hz	1	SA	
1-1	P214	DE97-00612A	ASSY-BRACKET UPPER	FQ159ST,1.5 CU.FT SPE	1	SA	
1-2	M039	2501-001012	C-OIL	1.13uF,2100V,BK,35x54x90,20mm	1	SA	
1-2	M024	DE31-00028E	MOTOR VENTILATION	SMV-370EA,FQ159ST,-,50	1	SA	
1-2	M040	DE61-50106A	BRACKET-HVC	-,SECC,T0.8,W31,L125.8,-,-	1	SNA	
1-2	M042	DE91-70061H	ASSY-H.V.FUSE	THV060T-0900-H,5KV0.90A,WH	1	SA	
1-2	M228	DE97-00621A	ASSY-BKT UPPER(SUB)	FQ159ST,1.5 CU.FT SP	1	SA	
1-2	P030	DE59-00007A	CAPACITOR-MOTOR	RE-OTR50,DAEDONG 3UF,-,-	1	SA	
1-2	M231	DE97-00650A	ASSY-BKT VENT MOTOR(A)	FQ159ST,1.5 CU.FT	1	SA	BKT-UPPER
1-2	M229	DE97-00649A	ASSY-HOLDER NOISE FILTER	FQ159ST,1.5 CU.	1	SA	
1-3	M230	DE61-00826A	HOLDER-NOISEFILTER	1.5CONV,PP,-,-,-,-,-	1	SA	
1-3	M017	DE96-00011A	ASSY NOISE FILTER	SN-3WUA,250V15A,3W 15A	1	SA	
1-4	M019	3601-001197	FUSE-CARTRIDGE	250V,15A,SLOW-BLOW,CERAMI	1	SA	
1-2	M041	0402-001554	DIODE-RECTIFIER	HV03-12T01,12000V,0.4A,D	1	SA	
1-1	T050	DE97-00613A	ASSY-DAMPER	FQ159ST,21V-VI/TSE ASSY,-,-	1	SA	
1-2	B001	3405-001034	SWITCH-MICRO	125/250VAC,16A,200GF,SPST-N	1	SA	
1-2	M049	DE31-10098A	MOTOR SYNCHRONOUS	M2LB24ZR92,220/240V,50	1	SA	
1-2	M075	DE66-00176A	CAM-MOTOR	1.5CONV,POM(K300NTR),-,-,-,-,-	1	SNA	
1-1	P185	DE97-00614A	ASSY-BRACKET MGT	FQ159ST,1.5 CU.FT SPEED	1	SA	
1-2	H013	DE47-20009A	THERMOSTAT	PW2N-520PB,160/60,250V/7.5A,H	1	SA	
1-2	P170	DE61-00774A	GUIDE-AIR(MGT)	1.5CONV,SECC,T0.5,-,-,-,-,-	1	SNA	MGT
1-1	M215	DE97-00615A	ASSY-ADIABATIC	FQ159ST,F/GLASS (T5.0),1.	2	SA	
1-2	M025	DE63-00342A	COVER-ADIABATIC	1.5CONV,SGCC,T0.8,-,-,-,-	2	SNA	
1-1	C064	DE97-00617A	ASSY-DECORATION	FQ159ST,PC,1.5 CU.FT SPE	1	SA	
1-1	P001	DE97-00618A	ASSY-STIRRER	FQ159ST,PPS,1.5 CU.FT SPEED	1	SA	
1-2	T037	DE61-00766A	HOLDER-STIRRER	1.5 CONV,TEFRON,-,-,-,-,-	1	SNA	
1-2	T036	DE66-00171A	BLADE-STIRRER	1.5 CONV,AL,T0.6,-,-,-,-	1	SNA	
1-1	T076	DE97-00619A	ASSY-WIRE RACK(SUPPORT-R)	FQ159ST,1.5 CU	1	SA	
1-2	T026	DE61-00858A	FOOT-RACK	1.5 CONV,TEFRON,-,-,-,-,-	4	SNA	
1-1	T077	DE97-00620A	ASSY-WIRE RACK(SUPPORT-L)	FQ159ST,1.5 CU	1	SA	
1-2	T026	DE61-00858A	FOOT-RACK	1.5 CONV,TEFRON,-,-,-,-,-	4	SNA	
1-2	T002	DE63-00344A	TRAY-CERAMIC	1.5 CONV,ceramic,-,-,-,-,-	1	SA	
1-2	T078	DE66-00186A	WIRE-RACK(S)	1.5 CONV,MSWR 10,-,-,H 15	1	SA	
1-1	M035	OM75P(20)MTMN	ASSY-MGT		1	SA	

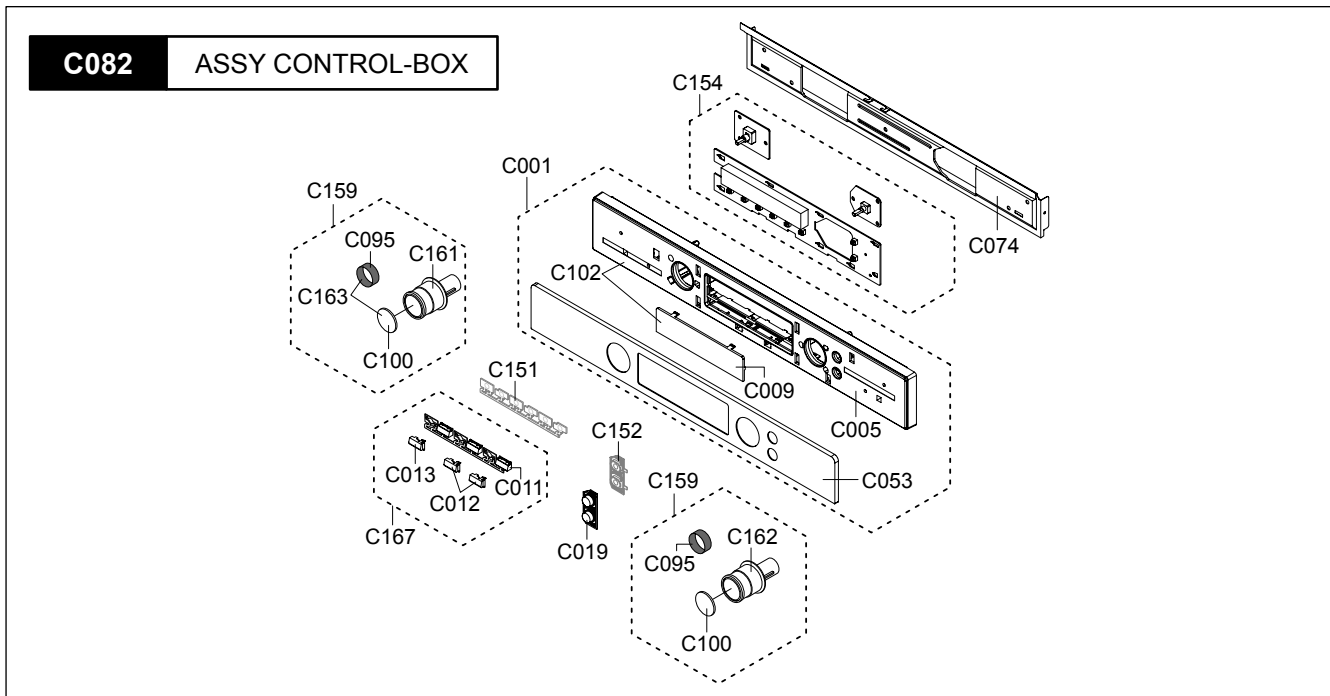
8-3 Door Parts List



(SNA : SERVICE NOT AVAILABLE)

LEVEL	No.	Code No.	Description	Specification	Q'ty	SA/SNA	Remark
1-1	D049	DE94-01370A	ASSY DOOR	FQ159ST,NATURAL STS(A),1.5 CU.	1	SA	
1-2	D017	DE60-60008A	PIN-HINGE	PI4,L17,MSWR10,M301TBC,-,-,-,-	2	SA	
1-2	M141	DE61-00835A	BUSH	1.5 CONV,SUM24L,-,-,-,-,-	2	SNA	
1-2	D091	DE61-00837A	HINGE-L	1.5 CONV,SCP T5.0,-,-,-,-,-	1	SNA	
1-2	D092	DE61-00838A	HINGE-R	1.5 CONV,SCP T5.0,-,-,-,-,-	1	SNA	
1-2	D026	DE63-00369A	COVER-HANDLE	1.5 CONV,PC,-,-,-,-,-,BLK S	2	SNA	
1-2	D019	DE64-01469A	HANDLE	1.5 CONV,AL,T1.0,-,-,-,-,-	1	SNA	
1-2	D006	DE64-01474A	DOOR-C	1.5 CONV,PBT(GF15%,153g),-,-,-	1	SNA	
1-2	D093	DE64-01595A	KEY-DOOR(R)	1.5 CONV,DIE CASTING,-,-,-,-	1	SNA	
1-2	D094	DE64-01596A	KEY-DOOR(L)	1.5 CONV,DIE CASTING,-,-,-,-	1	SNA	
1-2	D047	DE94-01371A	ASSY DOOR-E(SEALANT)	FQ159ST,BLK,1.5 CU.	1	SNA	
1-3	D003	DE64-01463A	SCREEN-DOOR(A)	1.5 CONV,GLASS,T2.0,-,-,-	1	SNA	
1-3	D004	DE94-01374A	ASSY DOOR-E(COATING)	FQ159ST,BLK,1.5 CU.	1	SNA	
1-2	D015	DE94-01376A	ASSY DOOR-SUB	FQ159ST,BLK,1.5 CU.FT SPEE	1	SNA	
1-3	V003	DE61-00833A	HOLDER-GLASS	1.5CONV,PC,-,-,-,-,-	1	SNA	
1-3	D016	DE64-01465A	DOOR-SUB	1.5CONV,PC,-,-,-,-,-,BLK,-	1	SNA	
1-3	D068	DE64-01478A	CHASSIS-DOOR	1.5CONV,STSS430,T0.5,-,-,-,-	1	SNA	
1-3	D024	DE64-01559A	SCREEN-DOOR(B)	1.5 CONV,temp glass,T3.2,	1	SNA	

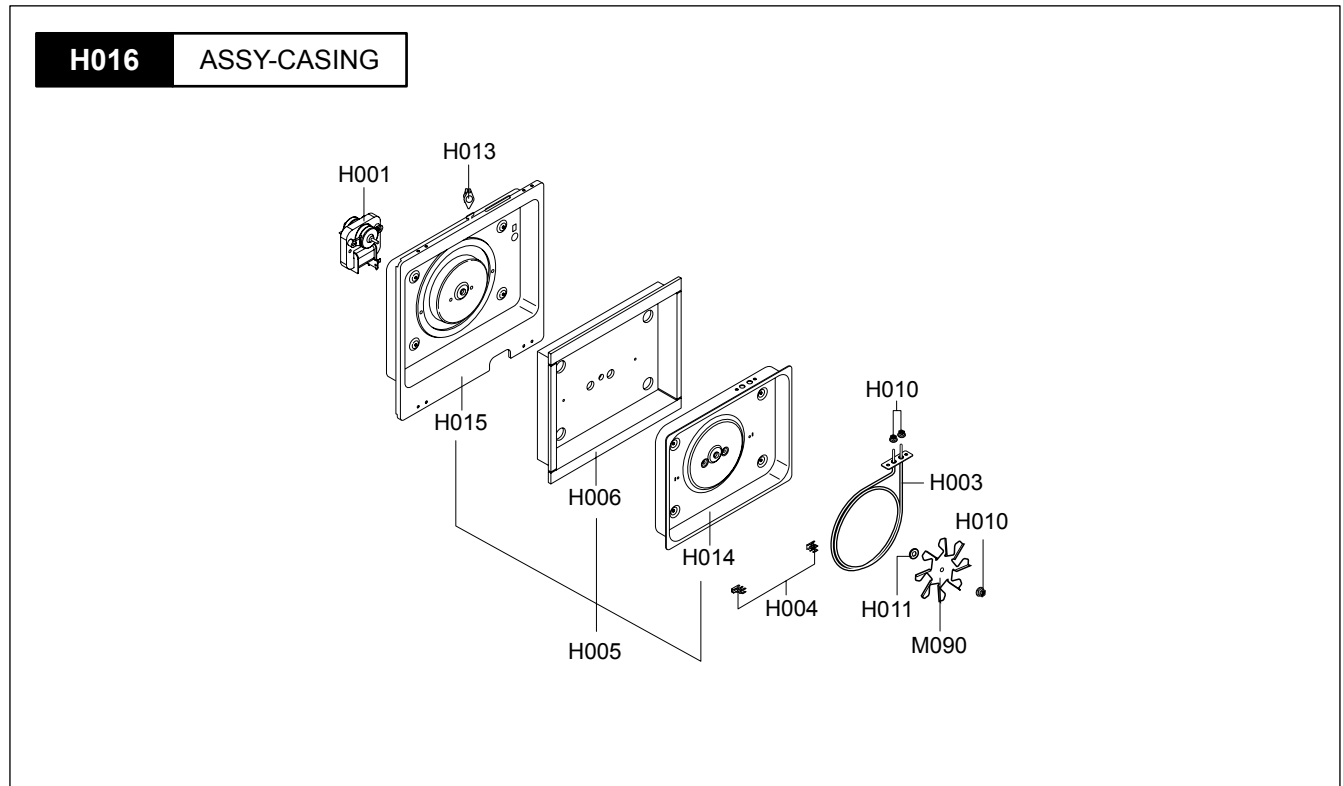
8-4 Control Parts List



(SNA : SERVICE NOT AVAILABLE)

LEVEL	No.	Code No.	Description	Specification	Q'ty	SA/SNA	Remark
1-1	C082	DE94-01368C	ASSY CONTROL-BOX	-,FQ159UST,NATURAL STS(1	SA	
1-2	C074	DE61-00819A	BRACKET-PANEL	1.5 CONV,SECC,T0.6,-,-,-	1	SA	
1-2	C151	DE63-00361A	COVER-BUTTON(A)	1.5 CONV,PC CLEAR,-,-,-	1	SA	
1-2	C152	DE63-00362A	COVER-BUTTON(B)	1.5 CONV,PC CLEAR,-,-,-	1	SA	
1-2	C019	DE64-01521A	BUTTON-START	1.5 CONV,PC CLEAR,-,-,NUTUR	1	SA	
1-2	C001	DE94-01369A	ASSY CONTROL-PANEL	-,FQ159ST,NATURAL STS	1	SA	
1-3	C053	DE64-01479A	CHASSIS-C/PANEL	1.5CONV,STS430,T0.5,-,-	1	SNA	
1-3	C102	DE94-01408A	ASSY CONTROL-PANEL(SUB)	-,FQ159ST,-,1.5	1	SNA	
1-4	C005	DE64-01470A	CONTROL-PANEL	1.5 CONV,PC NUTURAL STS(A)	1	SNA	
1-4	C009	DE64-01476A	WINDOW-DISPLAY	1.5CONV,SAN,-,-,-,-,-	1	SNA	
1-2	C154	DE96-00554B	ASSY-DISPLAY	DAM-M1_EURO_B,FQ159UST	1	SA	
1-2	C159	DE97-00622A	ASSY-KNOB SELECT	FQ159ST,1.5 CU.FT SPEED	1	SA	
1-3	C163	DE96-00561A	ASSY-KNOB SELECT(SUB)	1.5 CONV,1.5 CU.FT	1	SA	
1-4	C100	DE64-01572A	DECORATION-KNOB	M-PROJECT,STS 430,T0.5,-	1	SNA	
1-4	C095	DG72-00001A	BAND-DIAL	BT63BSST,MBR RUBBER,-,-,-,BLA	1	SNA	
1-5	C161	DE64-01593A	KNOB-DIAL(L)	FQ159ST,PC(LEXAN141R),,-,-	1	SNA	
1-2	C059	DE97-00623A	ASSY-KNOB TIMER	FQ159ST,1.5 CU.FT SPEED	1	SA	
1-4	C100	DE64-01572A	DECORATION-KNOB	M-PROJECT,STS 430,T0.5,-	1	SNA	
1-4	C095	DG72-00001A	BAND-DIAL	BT63BSST,MBR RUBBER,-,-,-,BLA	1	SNA	
1-5	C162	DE64-01594A	KNOB-DIAL(R)	FQ159ST,PC(LEXAN141R),,-,-	1	SNA	
1-2	C167	DE97-00658A	ASSY-BUTTON	FQ159ST,-,BLACK,-	1	SA	
1-3	C011	DE64-01471A	BUTTON-SELECT(A)	1.5 CONV,PC MILKY,-,-,B	1	SA	
1-3	C012	DE64-01472A	BUTTON-SELECT(B)	1.5 CONV,PC MILKY,-,-,B	1	SA	
1-3	C012	DE64-01472B	BUTTON-SELECT(B)	1.5 CONV,PC MILKY,-,-,-	1	SNA	
1-3	C013	DE64-01525A	BUTTON-SELECT(C)	1.5 CONV,PC MILKY,-,-,B	1	SA	

8-5 Casing Parts List



(SNA : SERVICE NOT AVAILABLE)

LEVEL	No.	Code No.	Description	Specification	Q'ty	SA/SNA	Remark
1-1	H016	DE97-00610A	ASSY-CASING	FQ159ST,230V50HZ1500W,-,-	1	SA	
1-2	H010	6021-001149	NUT-HEXAGON FLANGE	-,M4,NI,SWRCH10A,LEFT	3	SA	
1-2	H001	DE31-00038A	MOTOR CONVECTION	SMC-159E,FQ159ST,-,50~6	1	SNA	
1-2	H003	DE47-00037A	HEATER-CONVECTION	SHC-M159E,FQ159ST,SUS3	1	SNA	
1-2	H013	DE47-20009A	THERMOSTAT	PW2N-520PB,160/60,250V/7.5A,H	1	SA	
1-2	H011	DE60-40014B	WASHER-C MOTOR	M16,T1.0,SECC,ZNC3,-,-,-	1	SA	
1-2	H004	DE61-00831A	BRACKET-HEATER	1.5 CONV,STSS #430,T0.8,-	2	SNA	
1-2	M090	DE67-00205A	FAN-CONVECTION	1.5 CONV,ALSTAR,-,-,T0.6,	1	SNA	
1-2	H005	DE97-00611A	ASSY-COVER CASING	FQ159ST,230V50HZ1500W,	1	SA	
1-3	H014	DE61-00767A	BRACKET-CASING	1.5 CONV,ALSTAR,T0.6,W314	1	SNA	
1-3	H006	DE62-00053A	ADIABATIC-CASING	1.5CONV,F/GLASS,T5.0,W2	1	SNA	
1-3	H015	DE63-00340A	COVER-CASING	1.5CONV,SECC,T0.6,W350,L415	1	SNA	

8-6 Standard Parts List

(SNA : SERVICE NOT AVAILABLE)

LEVEL	Code No.	Description	Specification	Q'ty	SA/SNA	Remark
1-1	6001-000033	SCREW-MACHINE	TH,+,-,M4,L10,PASS,STS304,-,-	1	SNA	PH-SENSOR
1-2	6002-000170	SCREW-TAPPING	PH,+ ,2S,M3,L6,ZPC(YEL),SWRCH 1	4	SNA	DOOR-E
1-2	6002-000171	SCREW-TAPPING	PH,+ ,2S,M4,L10,ZPC(YEL),SWRCH1	2	SNA	MOTOR-DAMPER
1-2	6002-000214	SCREW-TAPPING	TH,+,-,1,M4.0,L16,ZPC(BLK),SWRCH18A,-	4	SNA	in pack
1-1	6002-000234	SCREW-TAPPING	TH,+,-,2S,M4,L16,ZPC(YEL),SWRCH18A,-	2	SNA	HOLDER SUP-PORTER
1-2	6002-000234	SCREW-TAPPING	TH,+,-,2S,M4,L16,ZPC(YEL),SWRCH18A,-	2	SNA	
1-2	6002-000488	SCREW-TAPPING	PH,+,-,2S,M3,L16,ZPC(YEL),SWRCH18A,-	2	SNA	D-MOTOR
1-1	6002-000630	SCREW-TAPPING	PH,+,-,2S,M3,L8,ZPC(YEL),SWRCH18A,-	1	SNA	ASSY BKT MGT
1-1	6002-000630	SCREW-TAPPING	PH,+,-,2S,M3,L8,ZPC(YEL),SWRCH18A,-	1	SNA	COVER-LAMP
1-2	6002-000630	SCREW-TAPPING	PH,+,-,2S,M3,L8,ZPC(YEL),SWRCH18A,-	9	SNA	KEY MOUDLE
1-2	6002-000630	SCREW-TAPPING	PH,+,-,2S,M3,L8,ZPC(YEL),SWRCH18A,-	2	SNA	
1-1	6002-001174	SCREW-TAPPING	FH,+,-,2S,M4,L12,NI PLT,SWRCH18A,-	8	SA	OUTER-PANEL
1-2	6002-001320	SCREW-TAPPING	TH,+ ,2S,M4,L8,PASS,STS304,-	2	SNA	BKT-HEATER
1-3	6002-001320	SCREW-TAPPING	TH,+ ,2S,M4,L8,PASS,STS304,-	4	SNA	
1-1	6002-001321	SCREW-TAPPING	PWH,+ ,2S,M5,L10,ZPC(YEL)	4	SNA	HVT
1-1	6006-001170	SCREW-TAPPING	TH,+ ,WT,TC,M4,L10,ZPC(YEL),SWRCH18A,-	1	SNA	N/F-EARTH
1-1	6006-001170	SCREW-TAPPING	TH,+ ,WT,TC,M4,L10,ZPC(YEL),SWRCH18A,-	1	SNA	P/CORD-EARTH
1-2	6006-001170	SCREW-TAPPING	TH,+ ,WT,TC,M4,L10,ZPC(YEL),SWRCH18A,-	1	SNA	HEATER-BOTTOM
1-2	6006-001170	SCREW-TAPPING	TH,+ ,WT,TC,M4,L10,ZPC(YEL),SWRCH18A,-	2	SNA	C-HEATER
1-2	6006-001171	SCREW-MACHINE	WS,PH,+ ,M4,L8,NI PLT	2	SNA	C/SAFT
1-1	6006-001174	SCREW-TAPPING	WE,TH,+ ,M4,L12,ZPC(YEL)	4	SNA	ASSY BOTTOM HEATER
1-1	6006-001174	SCREW-TAPPING	WE,TH,+ ,M4,L12,ZPC(YEL)	2	SNA	ASSY GUIDE AIR
1-1	6006-001174	SCREW-TAPPING	WE,TH,+ ,M4,L12,ZPC(YEL)	6	SNA	BASE-PLATE
1-1	6006-001174	SCREW-TAPPING	WE,TH,+ ,M4,L12,ZPC(YEL)	3	SNA	BKT HVT
1-1	6006-001174	SCREW-TAPPING	WE,TH,+ ,M4,L12,ZPC(YEL)	2	SNA	BKT-VENT(A)+BACK
1-1	6006-001174	SCREW-TAPPING	WE,TH,+ ,M4,L12,ZPC(YEL)	4	SNA	BODY LATCH(L,R)
1-1	6006-001174	SCREW-TAPPING	WE,TH,+ ,M4,L12,ZPC(YEL)	6	SNA	BOTTOM
1-1	6006-001174	SCREW-TAPPING	WE,TH,+ ,M4,L12,ZPC(YEL)	3	SNA	C/BOX
1-1	6006-001174	SCREW-TAPPING	WE,TH,+ ,M4,L12,ZPC(YEL)	8	SNA	CASING
1-1	6006-001174	SCREW-TAPPING	WE,TH,+ ,M4,L12,ZPC(YEL)	2	SNA	COVER BACK
1-1	6006-001174	SCREW-TAPPING	WE,TH,+ ,M4,L12,ZPC(YEL)	2	SNA	COVER=ADIA L,R
1-1	6006-001174	SCREW-TAPPING	WE,TH,+ ,M4,L12,ZPC(YEL)	2	SNA	DAMPER
1-1	6006-001174	SCREW-TAPPING	WE,TH,+ ,M4,L12,ZPC(YEL)	2	SNA	HANDLE-SET
1-1	6006-001174	SCREW-TAPPING	WE,TH,+ ,M4,L12,ZPC(YEL)	1	SNA	MAIN PCB
1-1	6006-001174	SCREW-TAPPING	WE,TH,+ ,M4,L12,ZPC(YEL)	9	SNA	P/OUTER
1-1	6006-001174	SCREW-TAPPING	WE,TH,+ ,M4,L12,ZPC(YEL)	1	SNA	V/MOTOR(B)
1-2	6006-001174	SCREW-TAPPING	WE,TH,+ ,M4,L12,ZPC(YEL)	4	SNA	BKT-PANEL
1-2	6006-001174	SCREW-TAPPING	WE,TH,+ ,M4,L12,ZPC(YEL)	1	SNA	BODY-LATCH
1-3	6006-001174	SCREW-TAPPING	WE,TH,+ ,M4,L12,ZPC(YEL)	1	SNA	BKT+COVER

8-6 Standard Parts List (continued)

(SNA : SERVICE NOT AVAILABLE)

LEVEL	Code No.	Description	Specification	Q'ty	SA/SNA	Remark
1-2	6006-001174	SCREW-TAPPING	WE,TH,+,M4,L12,ZPC(YEL)	4	SNA	BKT VENT(D)+VENT
1-1	6006-001176	SCREW-TAPTITE	WT,PH,+,M4,L8,ZPC(YEL)	2	SNA	SRIRRER MOTOR
1-2	6006-001176	SCREW-TAPTITE	WT,PH,+,M4,L8,ZPC(YEL)	1	SNA	BKT-HVC
1-2	6009-001486	SCREW-SPECIAL	TH,+, -,M3,L24(5),ZPC(YEL),SWRCH18A,MAC HINE,SPCIAL	1	SA	COVER-LAMP
1-2	6021-001149	NUT-HEXAGON FLANGE	-,M4,NI,SWRCH10A,LEFT TURN,P0.7	3	SA	
1-1	DE60-30015A	NUT-FLANGE	M5,P0.8,MSWR10,FEFZY,-,-,-,-,-	4	SA	MGT
1-1	DE60-30016A	NUT-FLANGE	M4,MSWR10,-,-,-,-,-,-	3	SA	GRILL
1-1	DE60-30016A	NUT-FLANGE	M4,MSWR10,-,-,-,-,-,-	1	SA	PH-SENSOR