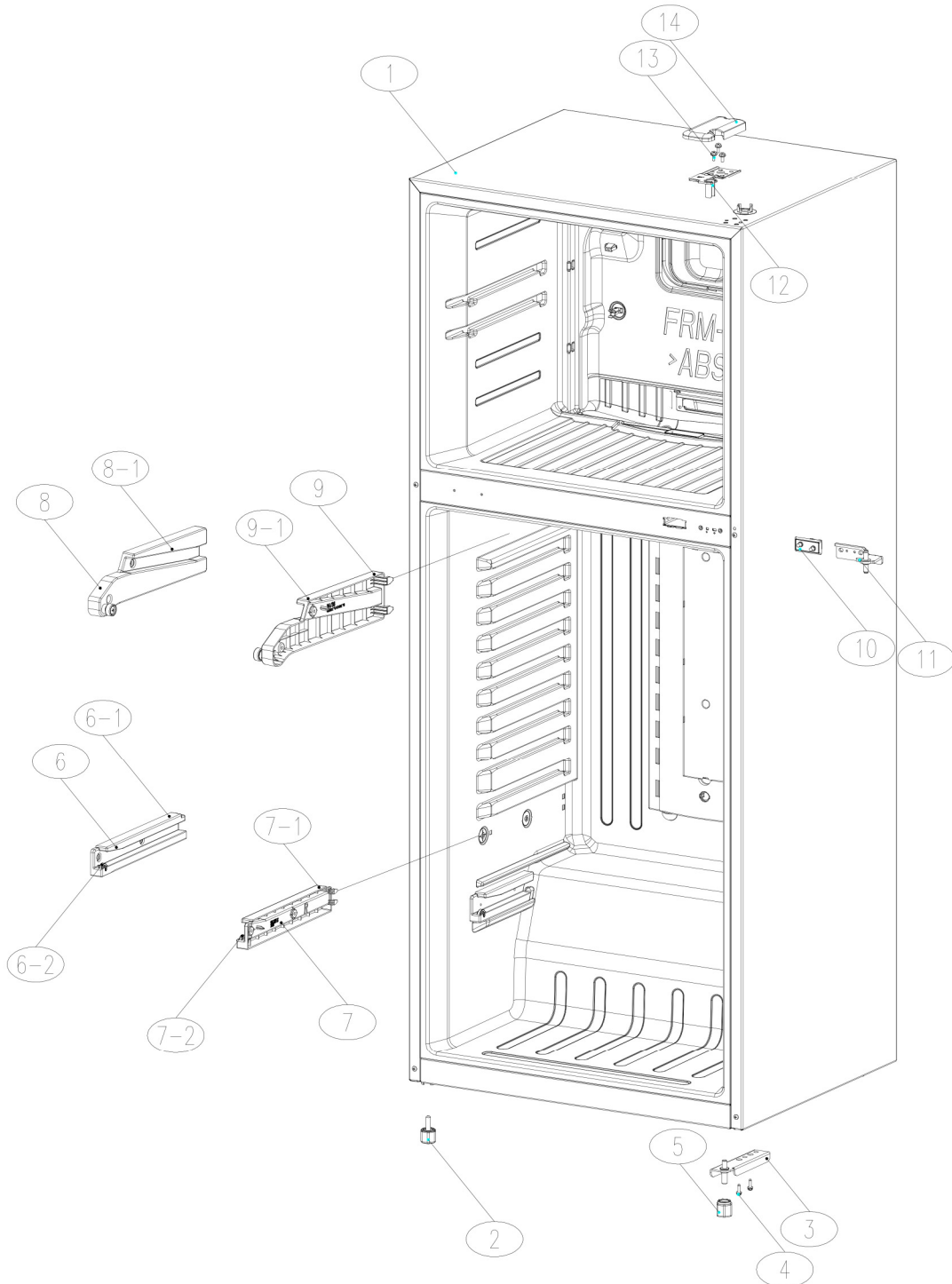


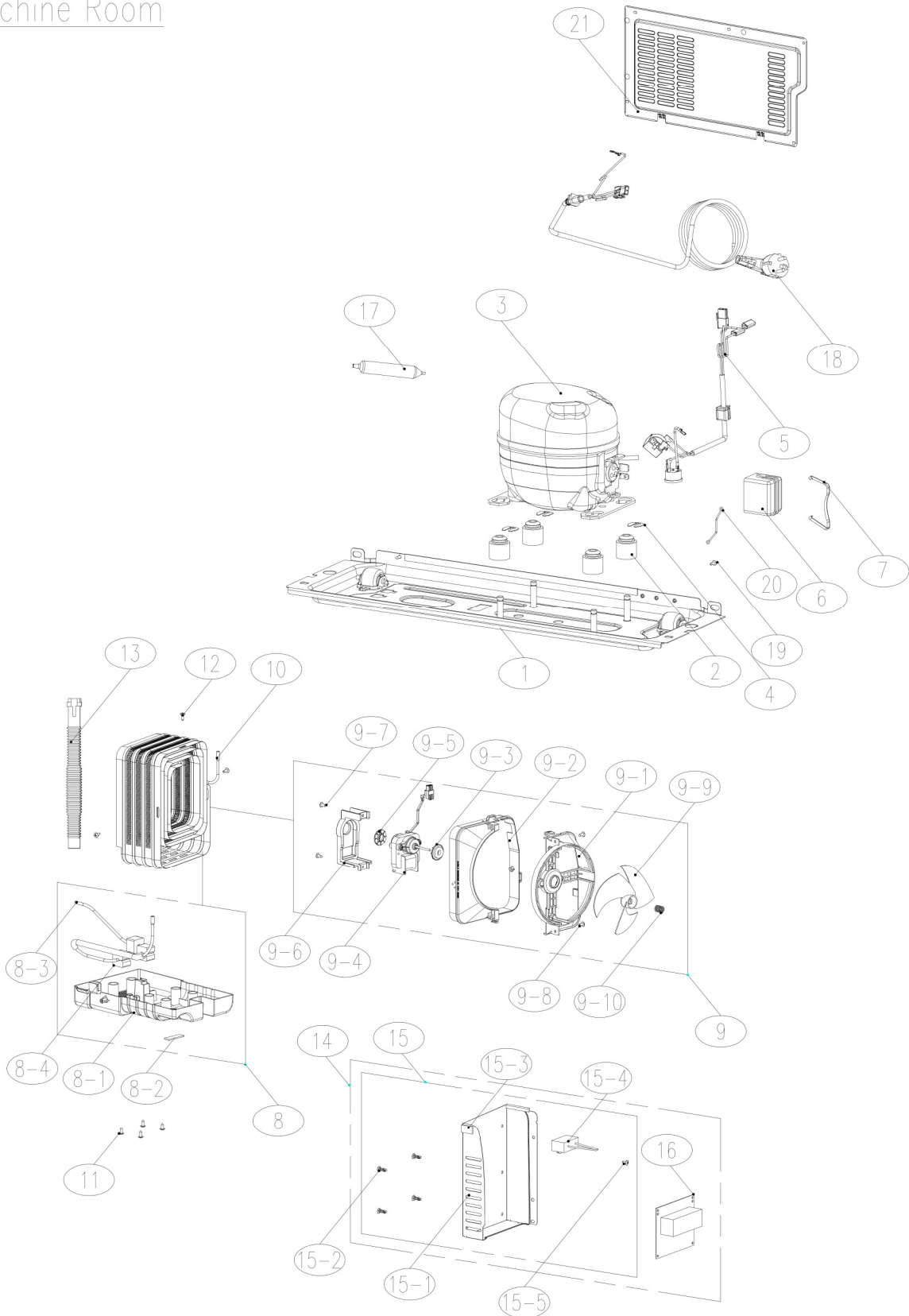
11. EXPLODED VIEW AND PART LIST

RGE34/36/40

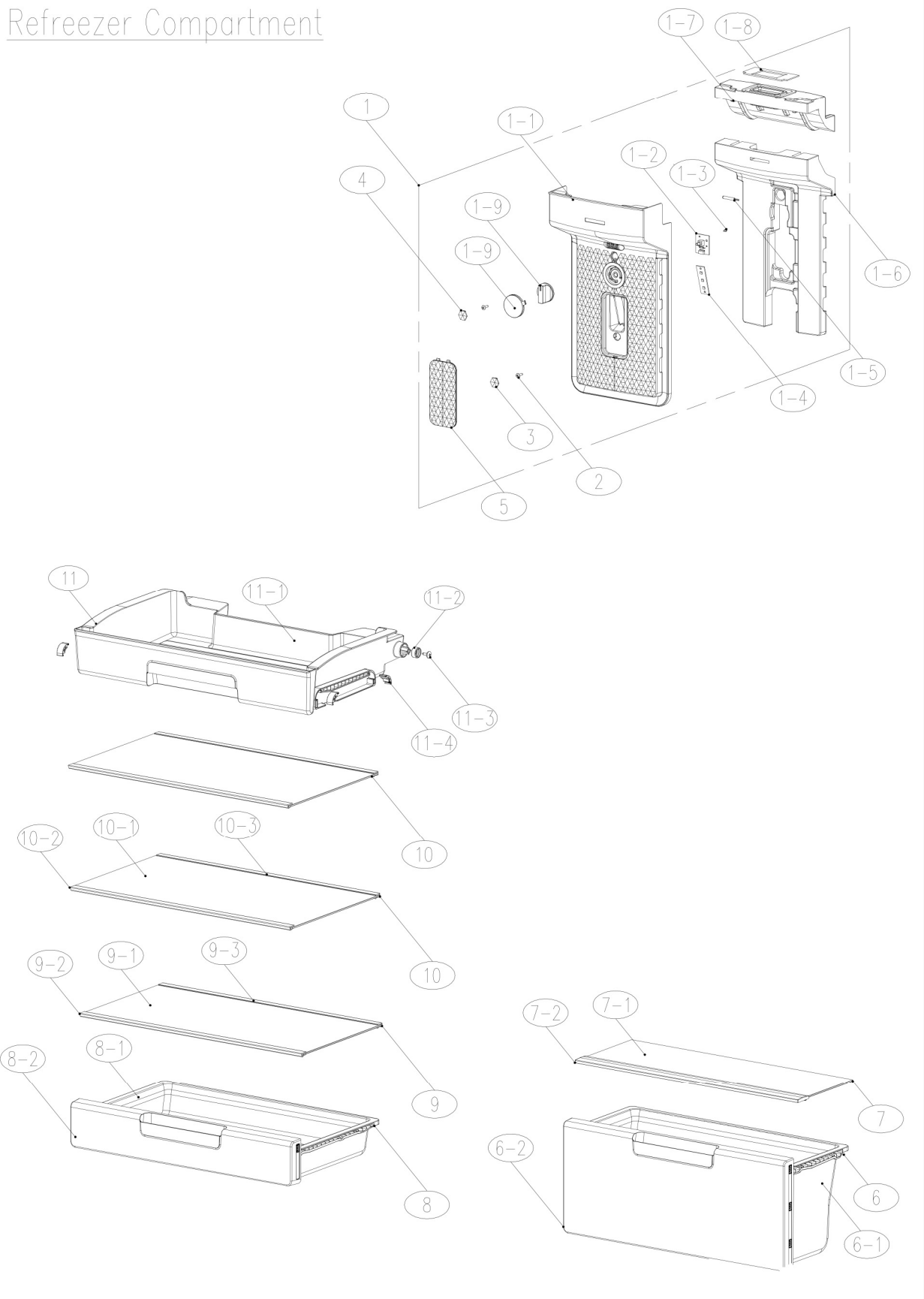
CABINET



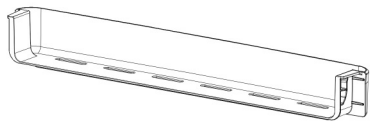
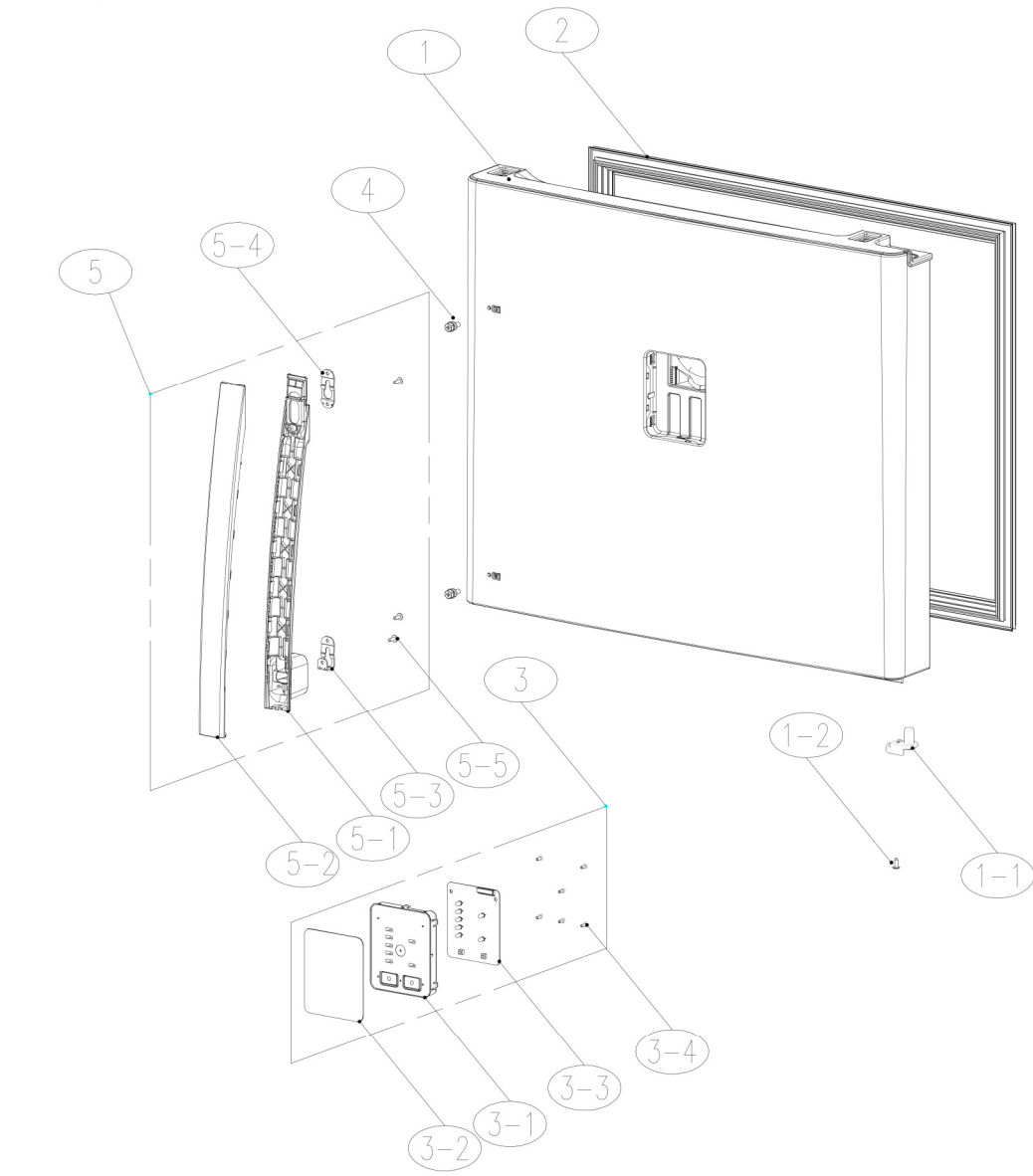
Machine Room



Refreezer Compartment

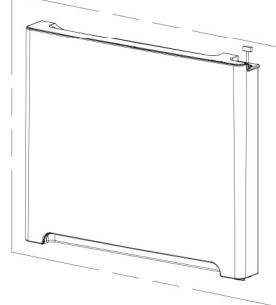


F DOOR

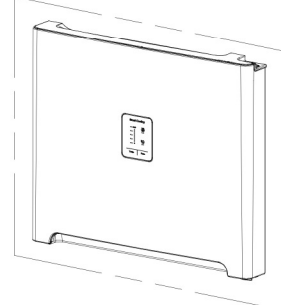


6

Non FCP+HIDDEN HANDLE TYPE

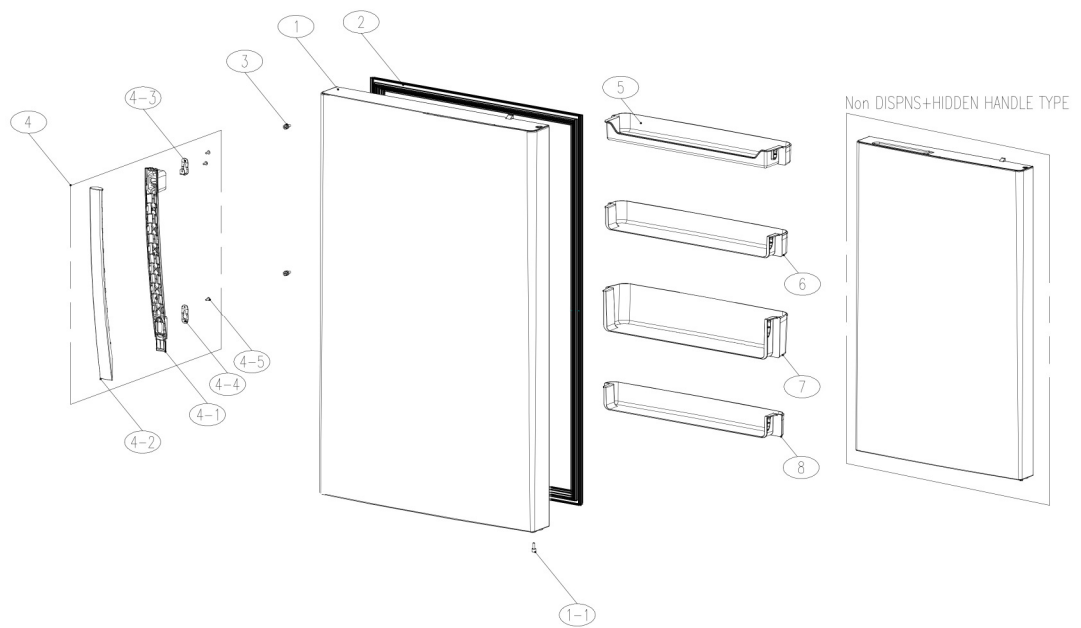


FCP+HIDDEN HANDLE TYPE



R DOOR

Non DISPNS TYPE



DISPNS TYPE

