

Service  
Service  
Service



Philips Consumer Lifestyle

# Service Manual

## PRODUCT INFORMATION

- This product meets the requirements regarding interference suppression on radio and TV.
- After the product has been repaired, it should function properly and has to meet the safety requirements as officially laid down at this moment.

## TECHNICAL INFORMATION

- Colour : Magic purple
- Input power : 750 W
- Suction Power : 190 W
- Noise level : 84 dB
- Dustcapacity : 3 L
- Filtration system : Micro filter  
S-bag

### Usability

- Action Radius : 8 m
- Cord length : 5 m
- Handgrip : Extra long ergonomic grip
- Accessory storage : Accessory holder on telescopic tube

## Weight and dimensions (L x W x H):

- Dimensions of product : 406 x 282 x 220 mm
- Dimensions packaging : 520 x 300 x 290 mm
- Weight : 4.2 kg

## ACCESSORIES

- Standard nozzle : Parquet nozzle
- Additional nozzle : Mini Turbo brush and Alma HF nozzle
- Tubes : Aluminium 2-P telescopic tube
- Accessories : Crevice nozzle, Small nozzle and Easy reach tool

## REPAIR INSTRUCTION

- No specific issues

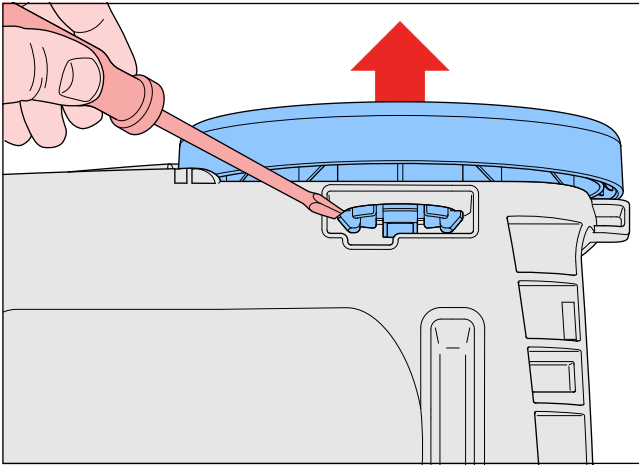
## OPTIONAL (accessories)

- FC8021/03 : Philips Disposable S-bag

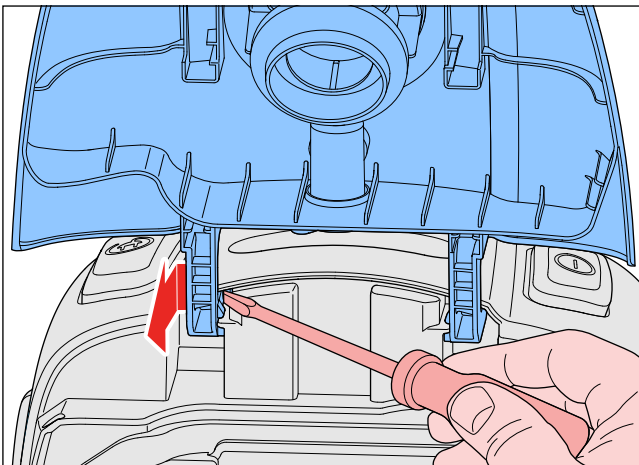
## DISASSEMBLY - AND RE-ASSEMBLY ADVISE

# FC8323/09

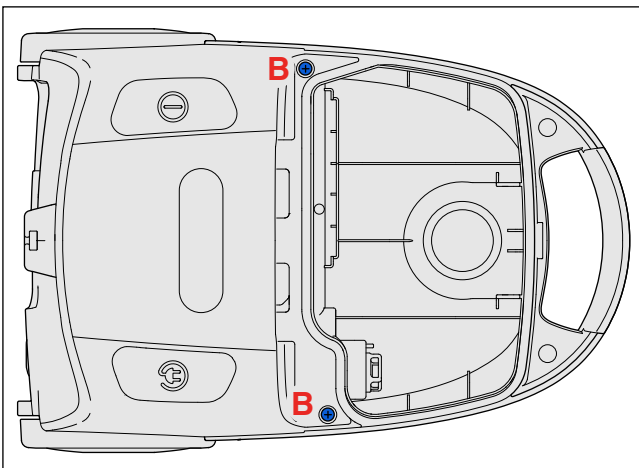
- First remove the dust bag.
- To replace the wheels (**10**), first turn the appliance upside down. To remove the wheel on the left side (seen from the backside), push with a screwdriver the nocks from the inside out, and pull the wheel out (see picture).



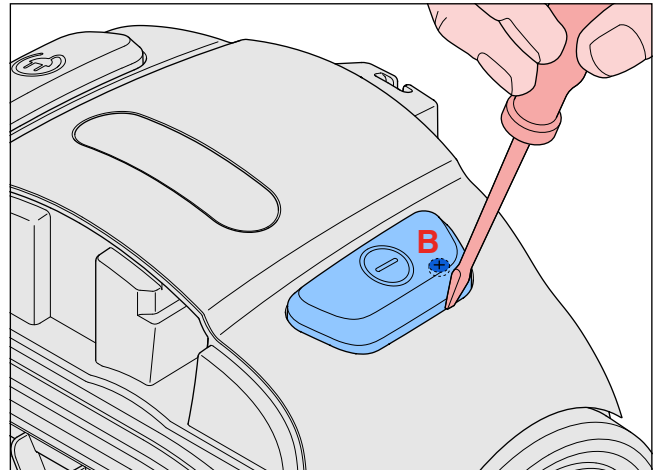
- To remove the wheel on the cordwinder side, pull the wheel with great force from the lower housing.
- To place a wheel, click the wheel into the lower housing.
- To reach te inner parts for repair, the top housing (**15**) has to be removed.
- Remove the dustcover assy (**1**) using a screwdriver (see picture).



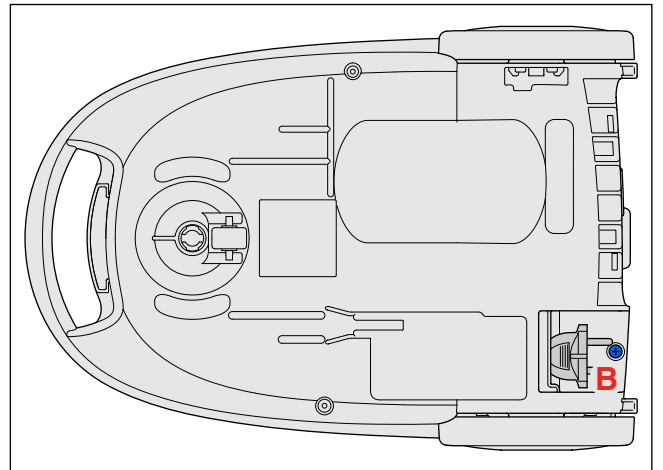
- When the dustcover has been removed, 2 of the 4 screws **B** that need to be unscrewed to disassemble the tophousing (**15**) are accessible (see picture).



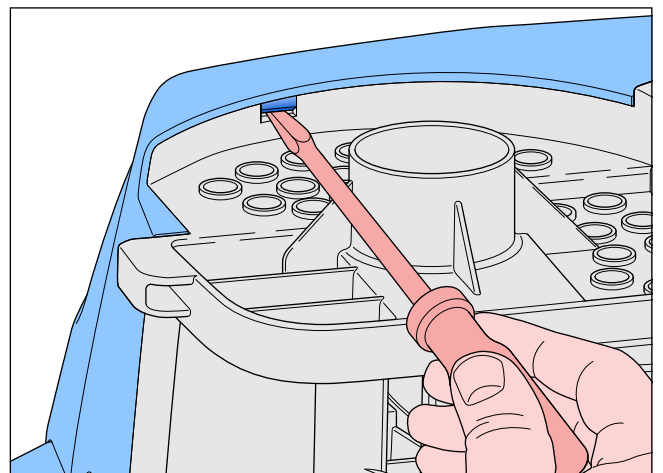
- The 3<sup>th</sup> screw **B** is hidden under the On/Off pedal (**12**), to remove the pedal use a screwdriver (see picture).



- Finally the last screw **B** that need to be removed is situated at the bottom side of the appliance (see picture).



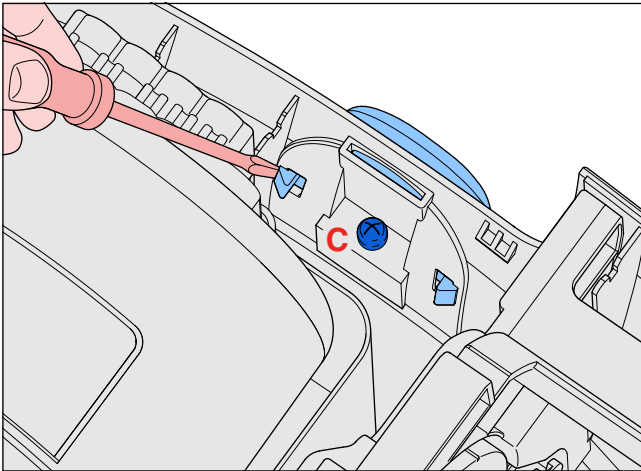
- To separate the top housing from the bottom housing release the snap connection behind the wheel at the cordwinder side (see picture).



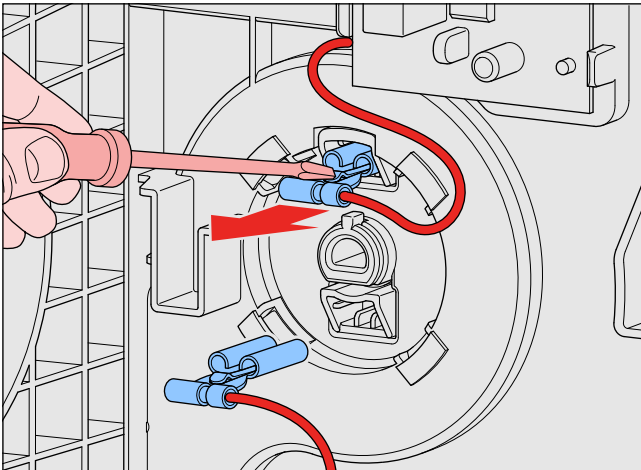
## DISASSEMBLY - AND RE-ASSEMBLY ADVISE

# FC8323/09

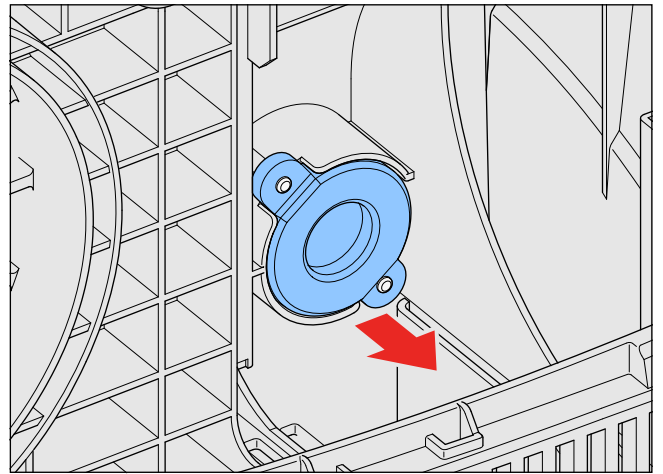
- To replace the parkhook (13), first remove Screw C, then by pushing the two lips with a screwdriver the parkhook can be removed (see picture).



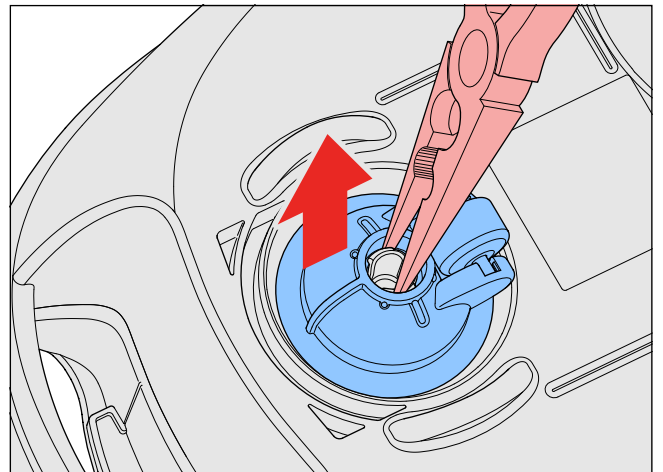
- To replace the cordwinder (20), first remove the wires, the locks can be unlocked with a screw driver (see picture).



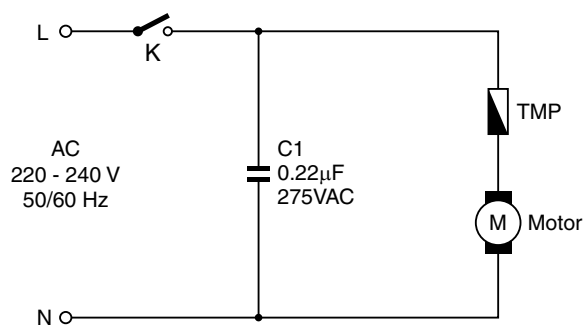
- The safety valve assy (21) can be clogged with dust, it can be easily taken out and replaced after the tophousing has been removed, it must be done from inside the bottom housing where the cordwinder is situated (see picture).



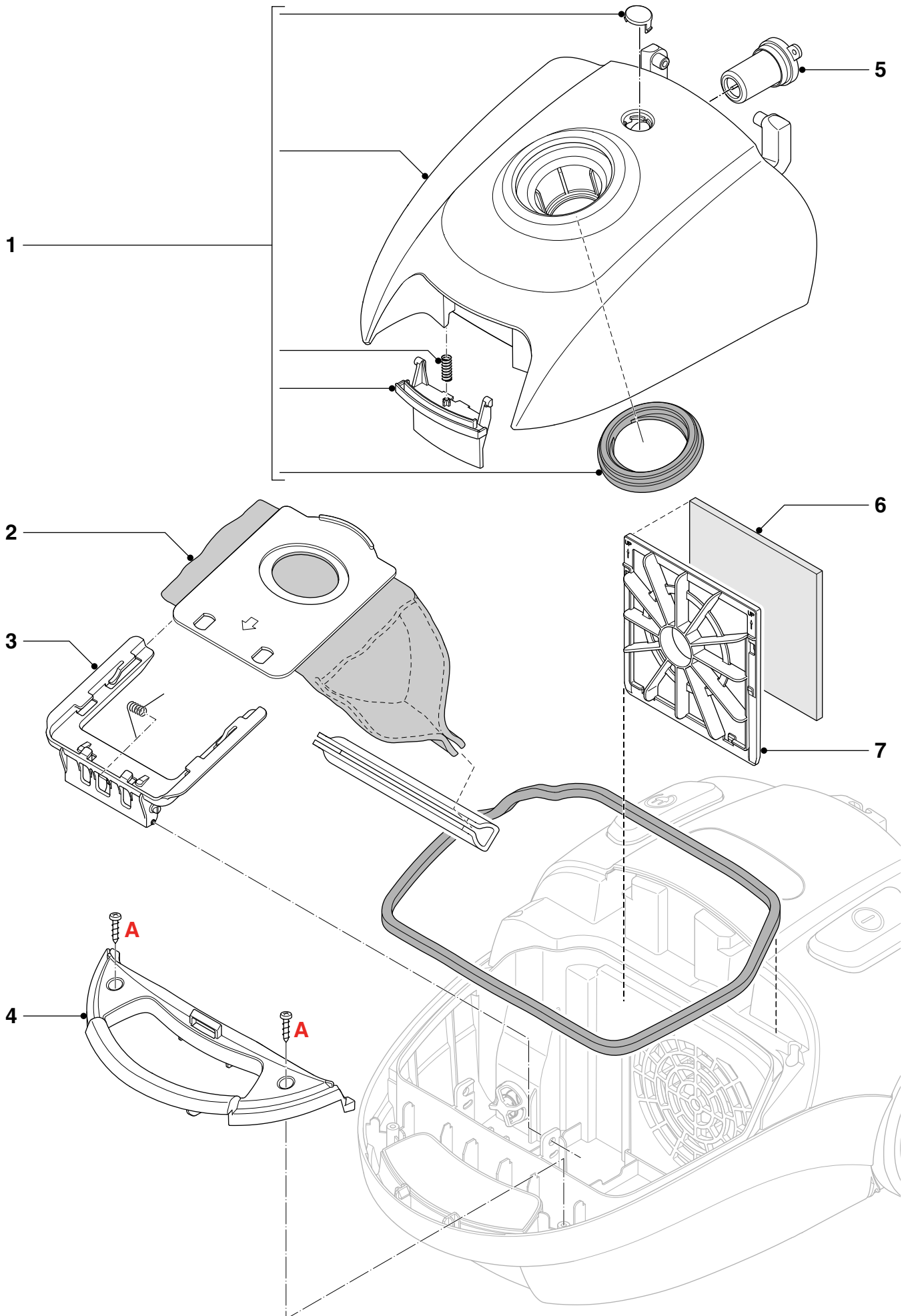
- When replacing the motor, make sure that the two red wires are placed underneath the motor.
- To replace the caster assy (11), squeeze the 2 dividers in the middle of the hole of the caster arm together with pliers, at the same time pull the caster assy off (see picture). The new caster assy can be snapped on in one single move.



## ELECTRICAL DIAGRAM

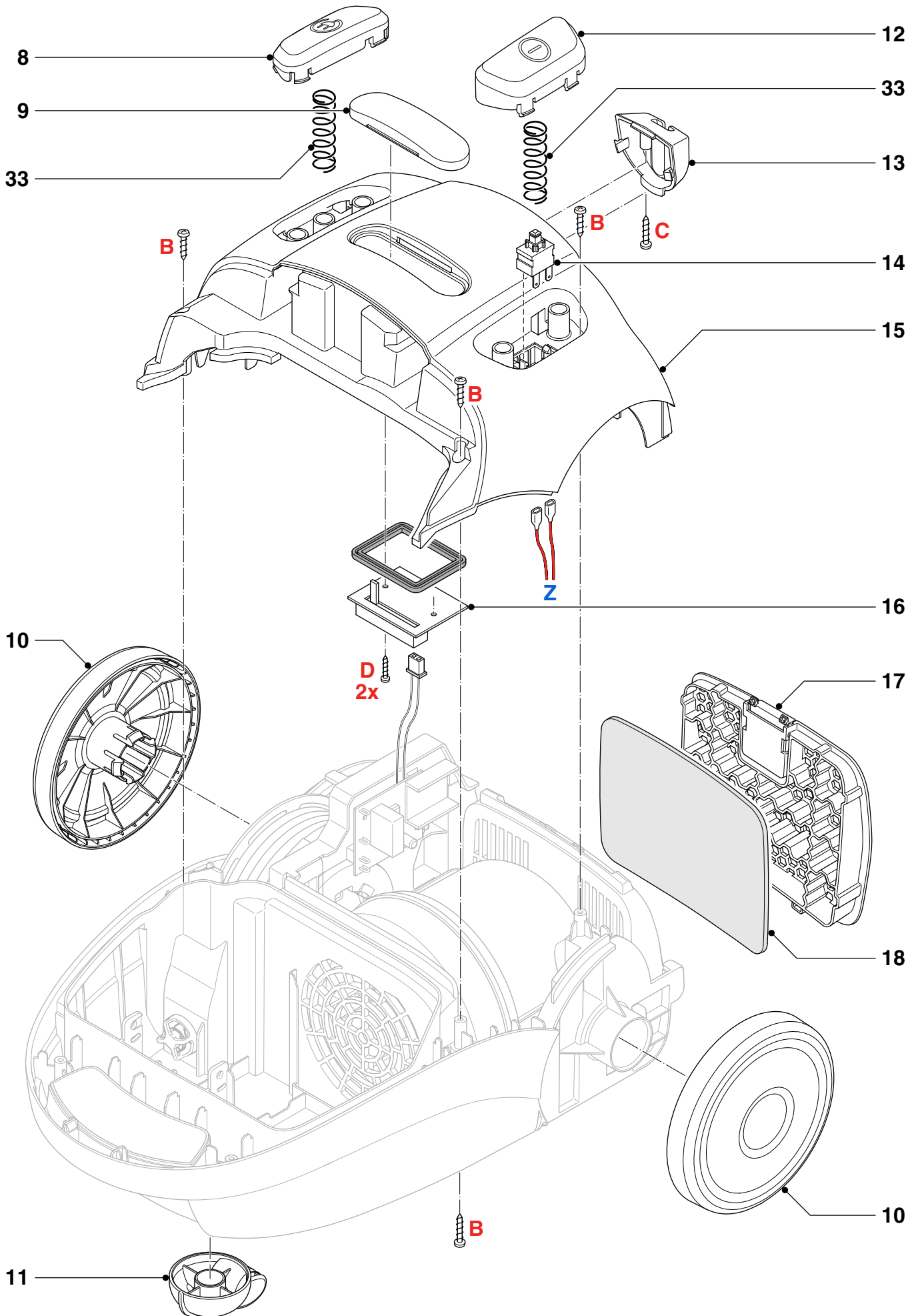


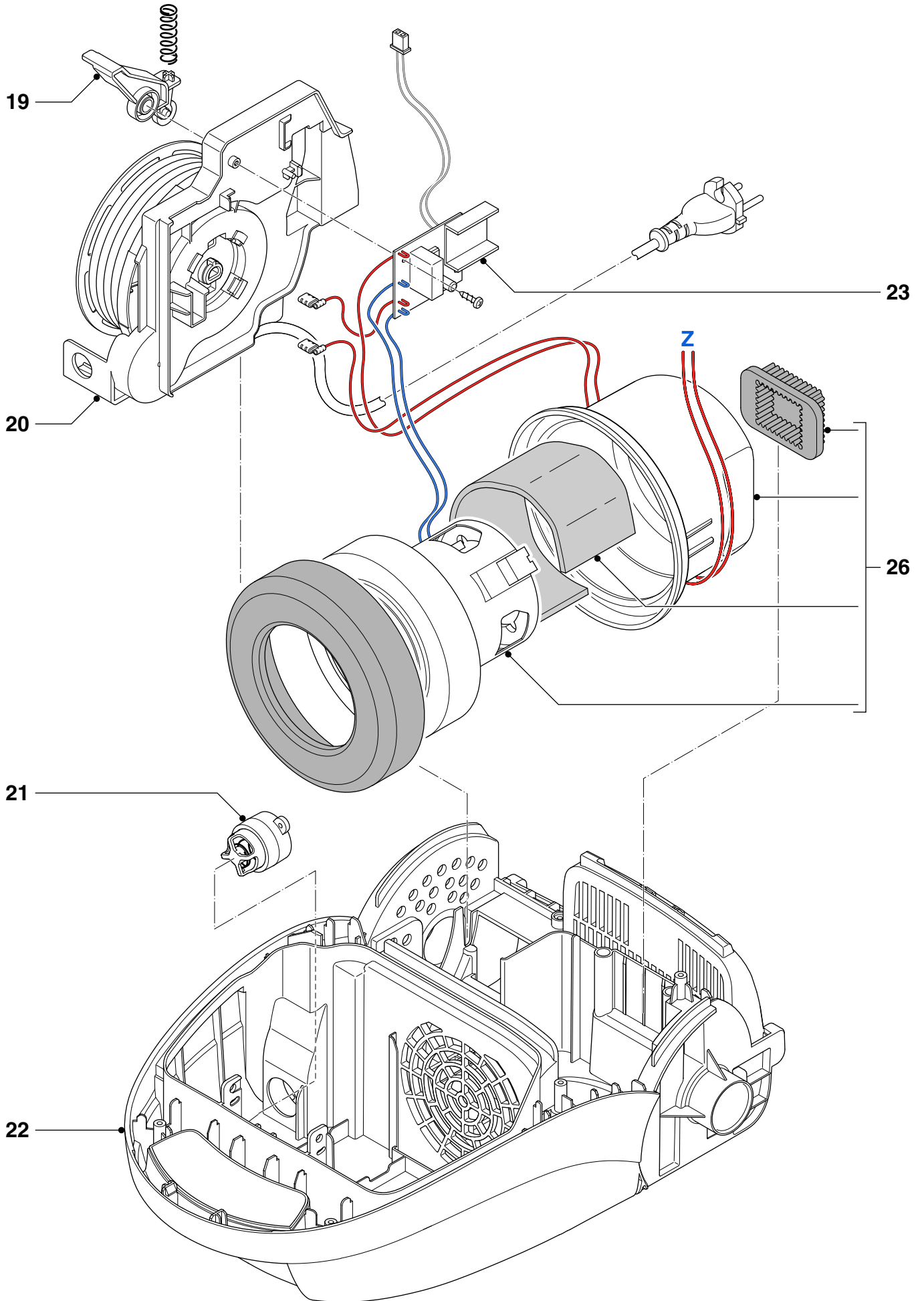
| Pos | Service code   | Description                        | Remark                    |
|-----|----------------|------------------------------------|---------------------------|
| 1   | 9965 100 71392 | Dustcover assy                     | Magic purple              |
| 2   | 4322 004 93701 | Reusable dustbag                   |                           |
| 3   | 9965 100 52011 | Dustbag holder                     |                           |
| 4   | 9965 100 71394 | Cover for handle                   | Magic purple              |
| 5   | 4322 005 28221 | Dustbag full indicator (Red)       | Hare low power            |
| 6   | 4322 004 93671 | Motor protector filter             | Hare                      |
| 7   | 9965 100 52003 | Inlet filter frame                 |                           |
| 8   | 9965 100 51985 | Cordwinder pedal                   | Deep black                |
| 9   | 9965 100 71395 | Top housing insert                 | Magic purple              |
| 10  | 9965 100 52004 | Wheel assy                         | Deep black                |
| 11  | 9965 100 52008 | Caster assy                        | Deep black                |
| 12  | 9965 100 51981 | On/Off pedal                       | Deep black                |
| 13  | 9965 100 71382 | Park hook                          |                           |
| 14  | 9965 100 69356 | Switch                             |                           |
| 15  | 9965 100 71393 | Top housing                        | Magic purple              |
| 16  | 9965 100 52001 | Potmeter PCBA                      |                           |
| 17  | 9965 100 52005 | Outlet grille                      |                           |
| 18  | 4322 004 93681 | Exhaust micro filter               | Hare                      |
| 19  | 9965 100 52014 | Cordwinder lever                   |                           |
| 20  | 4322 005 36251 | Cordwinder PowerLife               | 0.75 / 5 m / Euro / Black |
| 21  | 9965 100 52929 | Safety valve                       |                           |
| 22  | 9965 100 54028 | Bottom housing                     | Deep black                |
| 23  | 4322 006 24691 | PCBA 220 - 230 V                   | Hare                      |
| 26  | 4322 006 99611 | Kingclean motor 230 V / 50 - 60 Hz | MH2-G 800 W IEC           |
| 27  | 4322 004 25071 | 2-P telescopic tube Conical 35 mm  | Aluminum                  |
| 28  | 4322 004 25181 | Hose assy PowerLive                | Deep black 80231          |
| 29  | 4322 004 25121 | Small nozzle Conical 35 mm         | Deep black 80231          |
| 30  | 4322 004 25111 | Crevice nozzle Conical 35 mm       | Deep black 80231          |
| 31  | 4322 004 25141 | Parquet nozzle Conical 35 mm       | Deep black 80231          |
| 32  | 4322 004 24501 | Mini Turbo brush                   | Dark raven 80236          |
| 33  | 9965 100 62293 | Spring for buttons                 |                           |
| 34  | 4322 004 25531 | Easy Reach tool                    | Deep black 80231          |
| 35  | 4322 004 25571 | Connector                          | Deep black 80231          |
| 36  | 4322 004 25201 | Accessorie holder Easylive         | Deep black 80231          |
| 37  | 4322 004 26061 | Alma HF nozzle Conical 35 mm KC    | Deep black                |

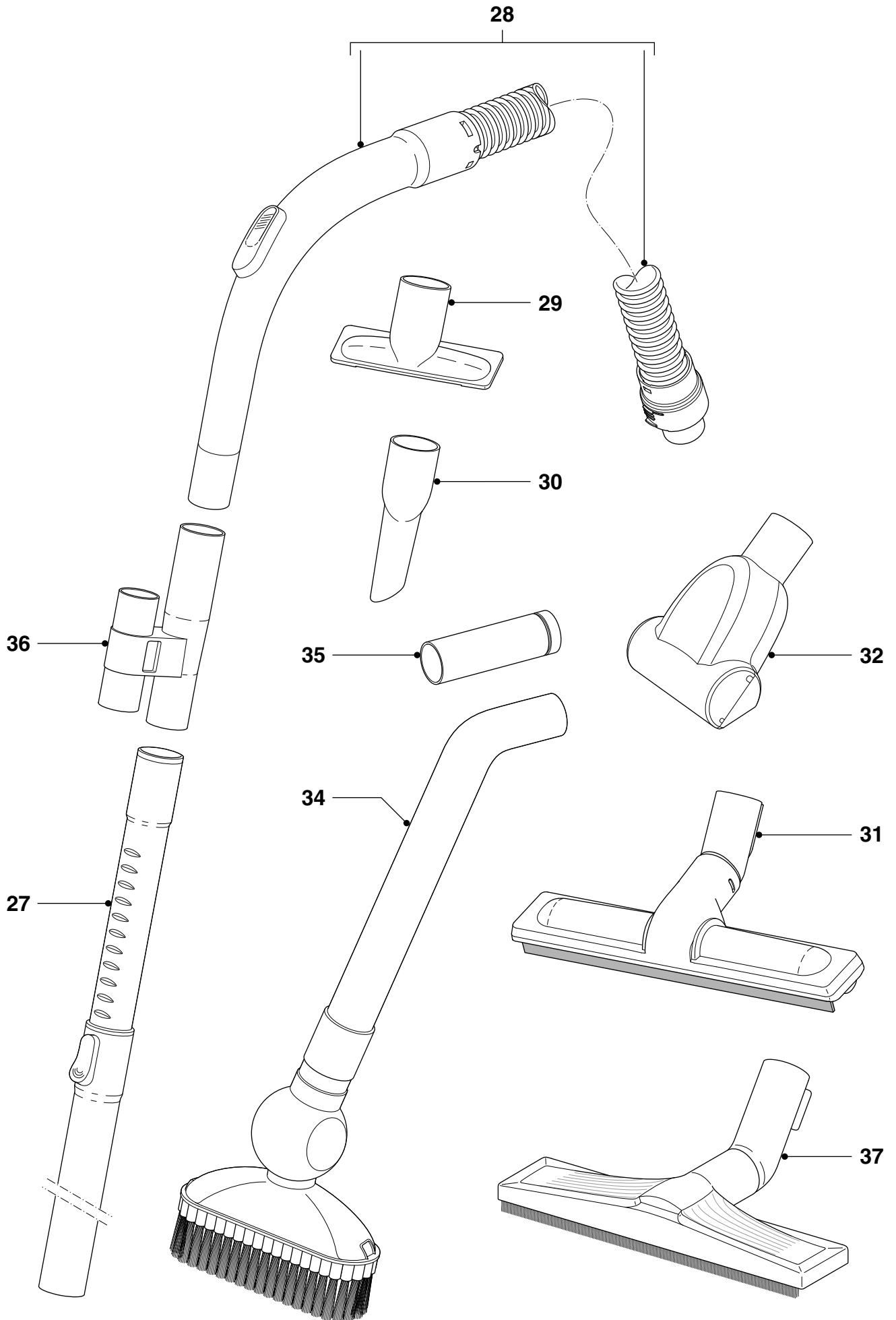


EXPLODED VIEW

FC8323/09









## Version history

Version 1.1 : FC8323/09 initial release.

Version 1.2 : On page 1 under Accessories Added Alma HF nozzle.

In Parts List and Exploded view: Added Pos. 37:

4322 004 26061 Alma HF nozzle Conical 35 mm KC Deep black.