

Service Manual

No-Frost

Combi-Refrigerator

DAEWOO
ELECTRONICS



Models:

ERF-366MNL / ERF-396MNL

ERF-386MNL / ERF-416MNL



DAEWOO ELECTRONICS
MANUFACTURING ESPAÑA, S.A.

. CONTENTS

- 1. SPECIFICATIONS**
- 2. EXTERNAL DRAWINGS**
- 3. REAL VIEW**
- 4. MACHINE ROOM VIEW**
- 5. REFRIGERANT CYCLE**
- 6. WIRING DIAGRAM**
- 7. COMPONENTS DISASSEMBLY PICTURES**
- 8. DOOR POSITION CHANGE PROCESS**
- 9. EXPLODE DRAWING**
- 10. PARTS LIST**

1. SPECIFICATIONS

Model name	366MNL	386MNL	396MNL	416MNL	
Division	MECHANIC TYPE				
Refrigerant type	R-134A				
Refrigerant Q'ty	100 grs				
Blowing agent	C-PENTANE				
Cooling system	Fan cooling system				
Defrost system	Automatic start & Automatic stop system				
Compressor	KPC CBE-140L5Z				
Rated voltage	AC220~240V / 50Hz				
Rated input (W)	180				
Lamp rated input (W)	15				
Gross capacity (liter)	Freezer	94	109	94	109
	Refrigerator	218	218	252	252
	Total	312	327	346	361
External dimension (mm)	Height	1765	1854	1896	1985
	Width	600	600	600	600
	Depth *	642	642	642	642
Energy class	A				
Freezing capacity(kg/24h)	5				
Star rating	* ***	* ***	* ***	* ***	
Climate class	N	N	N	N	
Net weight (kg)	69	71	71	74	

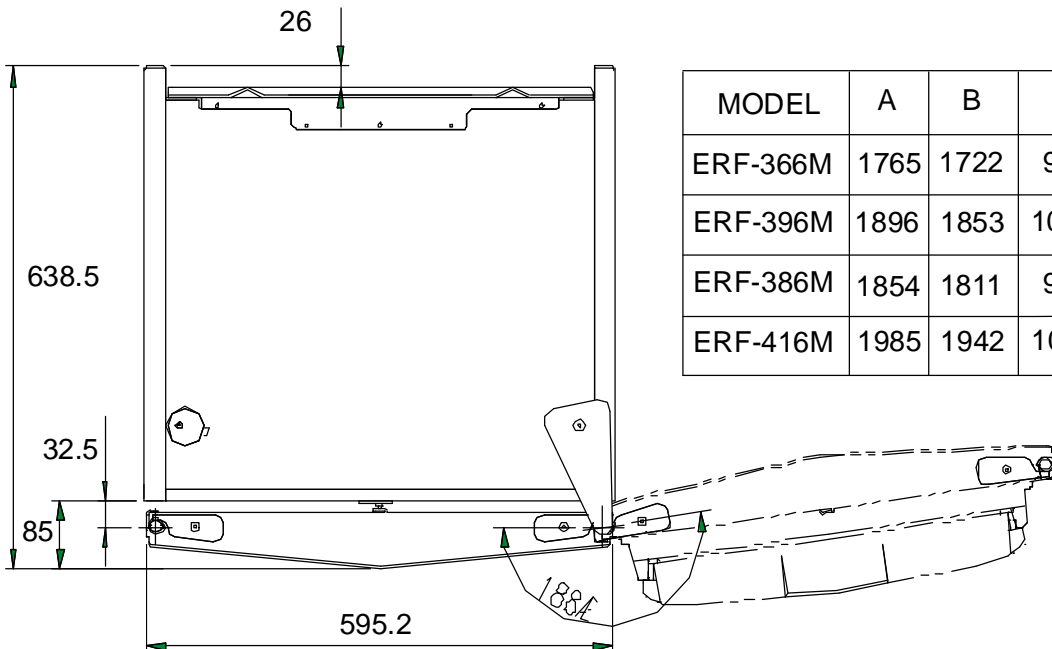
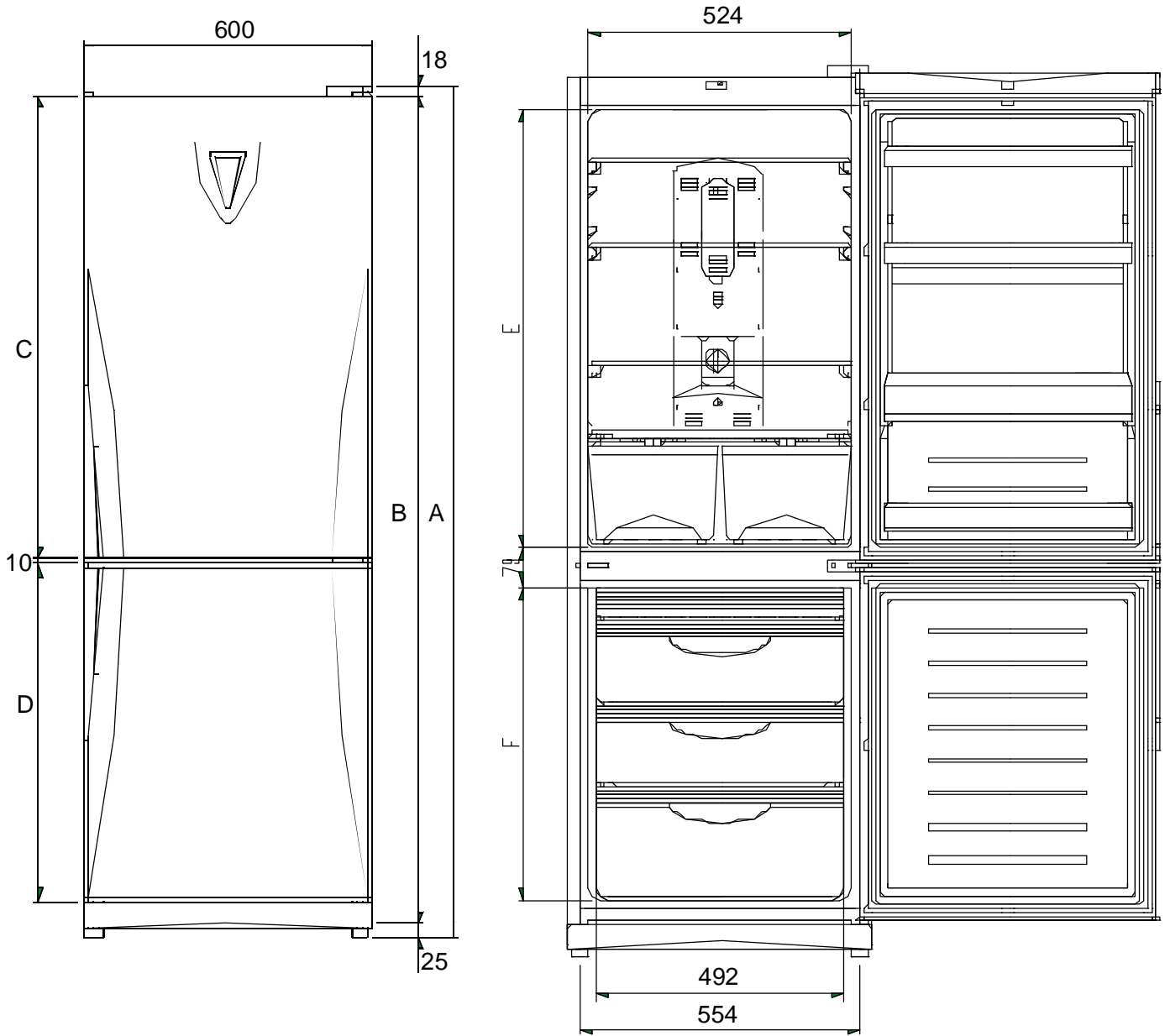
REMARKS:

* Dept exception handle

1.2. Types of the approved safety standars



2. EXTERNAL DRAWINGS

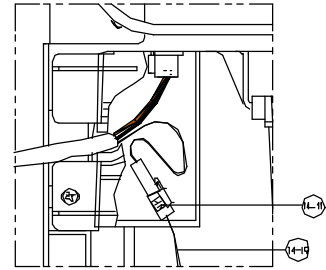


MODEL	A	B	C	D	E	F
ERF-366M	1765	1722	967	698	862.5	621.5
ERF-396M	1896	1853	1098	698	993.5	621.5
ERF-386M	1854	1811	967	787	862.5	710.5
ERF-416M	1985	1942	1098	787	993.5	710.5

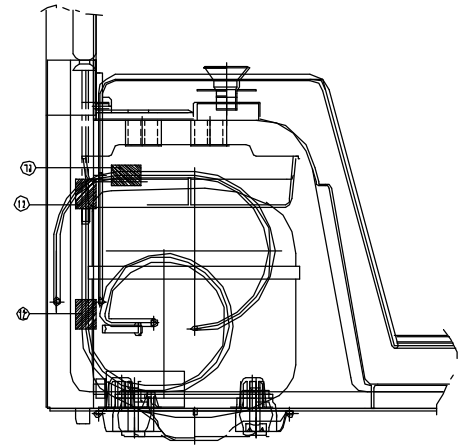
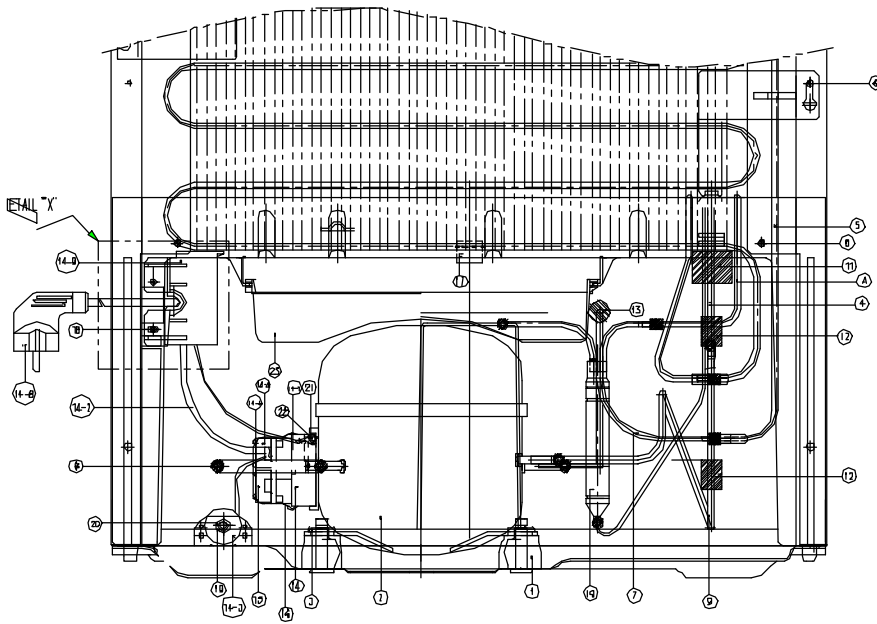
3. REAL VIEW



4. MACHINE ROOM VIEW

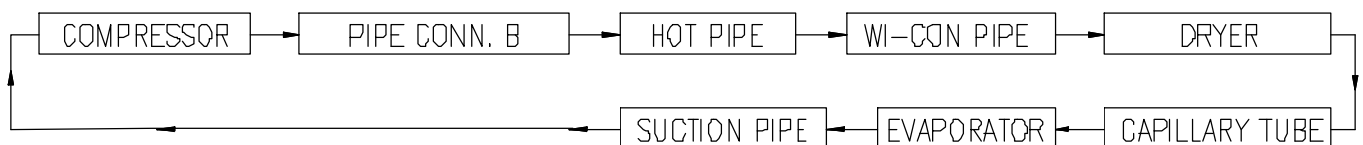
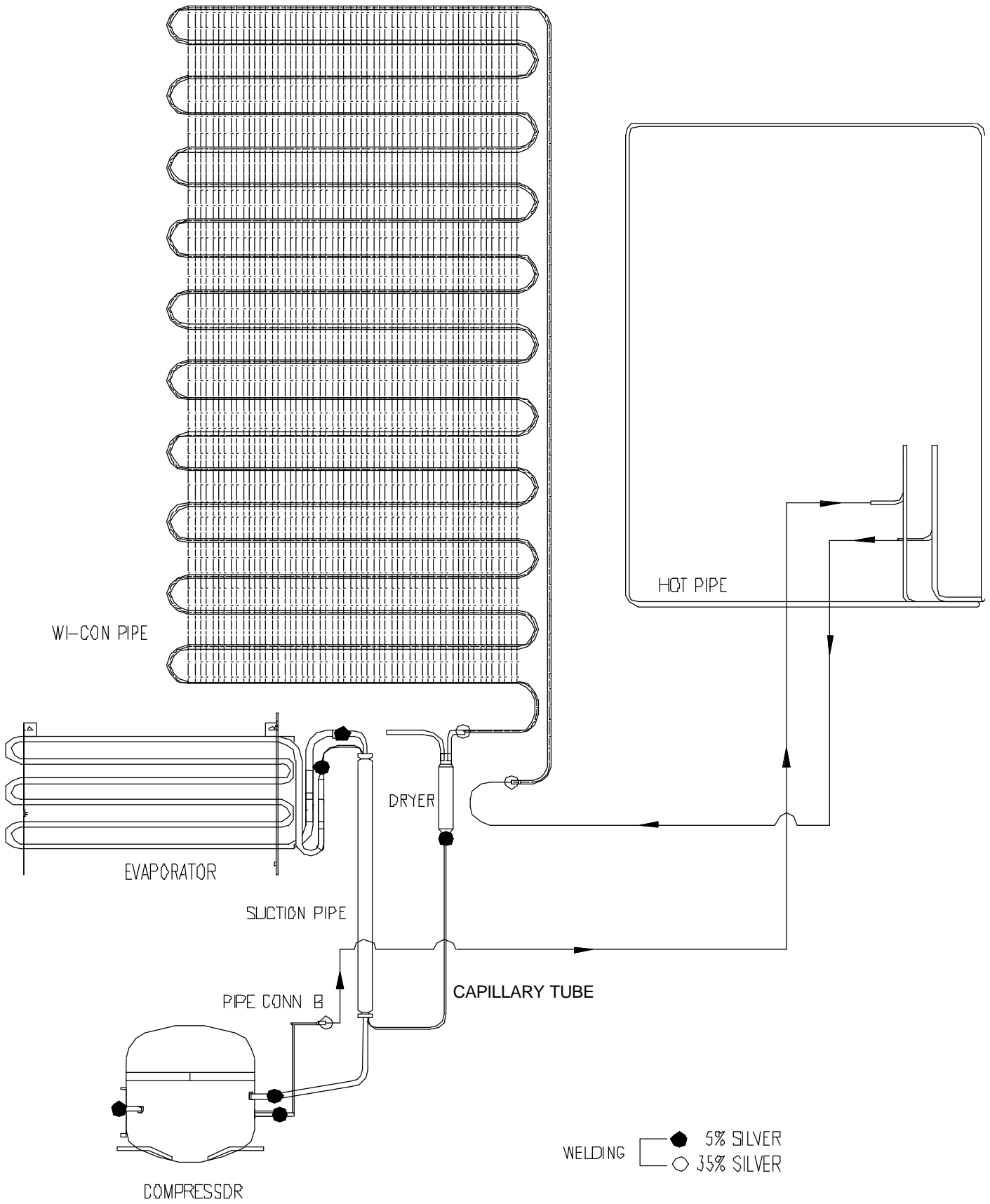


DETAIL 3X

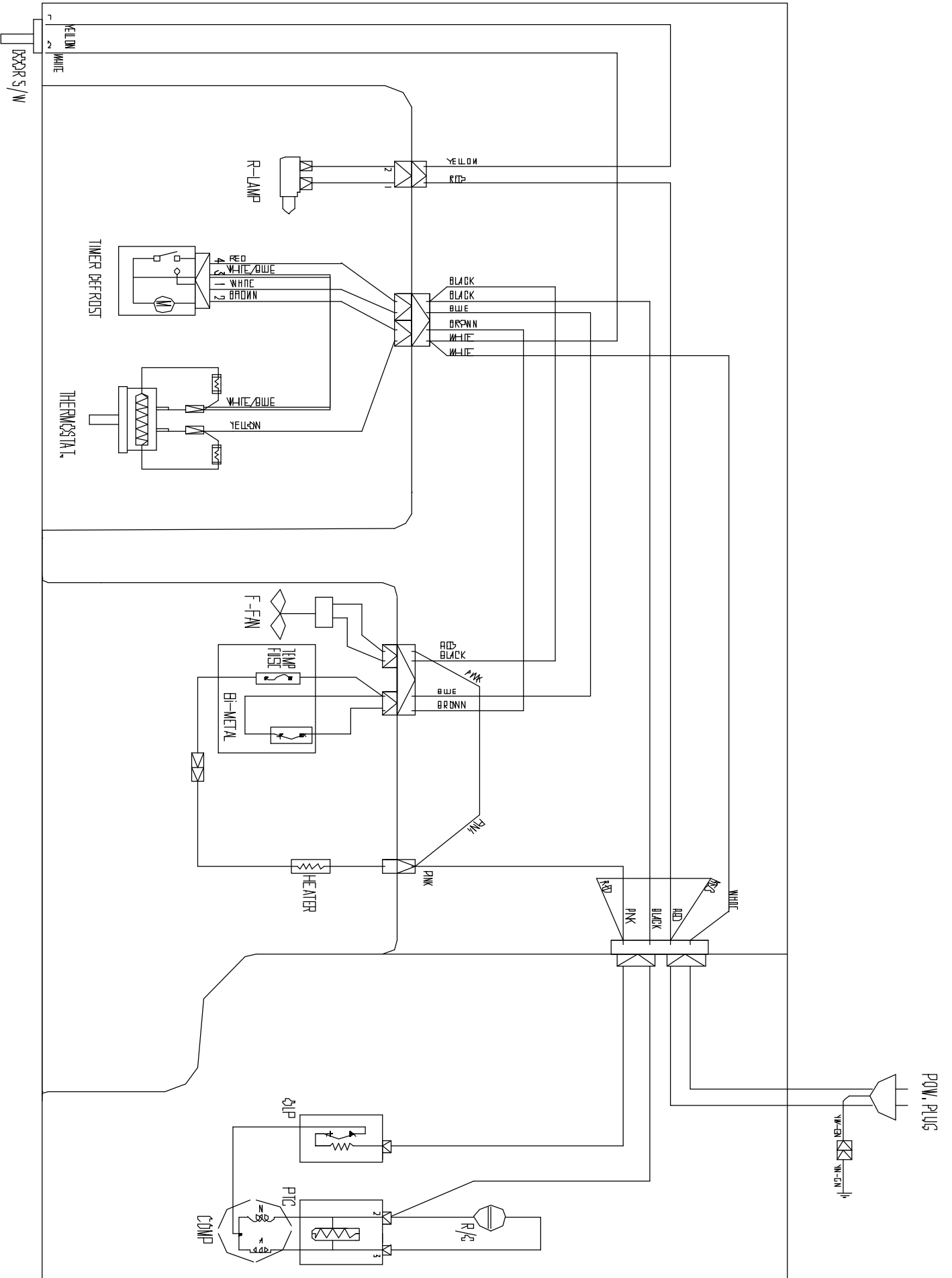


No.	PART NAME	No.	PART NAME	No.	PART NAME
A	PIPE HOT	14	BOX RELAY AS	17	CAP DRAINER
1	ABSORBER COMP	14-1	BOX RELAY	18	SCREW TAPPING
2	COMPRESSOR	14-2	HARNESS RELAY	19	SPECIAL WASHER R/C
3	FIXTURE COMP	14-3	CAPACITQR RUN AS	20	SPECIAL NUT R/C
4	EVAPORATOR AS	14-4	CABLE CLAMP	21	SPECIAL WASHER
5	PIPE WI-COON AS	14-5	SCREW TAPPING	22	SCREW MACHINE
6	SPECIAL SCREW E	14-6	SWITCH P RELAY PTC	23	CASE VAPORI
7	PIPE COON B	14-7	SWITCH P RELAY OL		
8	PIPE CHARGE	14-8	CODE POWER AS		
9	PIPE SUC. COON	14-9	COVER ME HOUSING		
10	DRYER AS	14-10	HARNESS EARTH		
11	ABSORBER PIPE B (GUM)	14-11	LABEL EARTH		
12	ABSORBER PIPE C (40g)	15	RELAY COVER		
13	ABSORBER PIPE C (38g)	16	BAND RELAY		

5. REFRIGERANT CYCLE



6. WIRING DIAGRAM

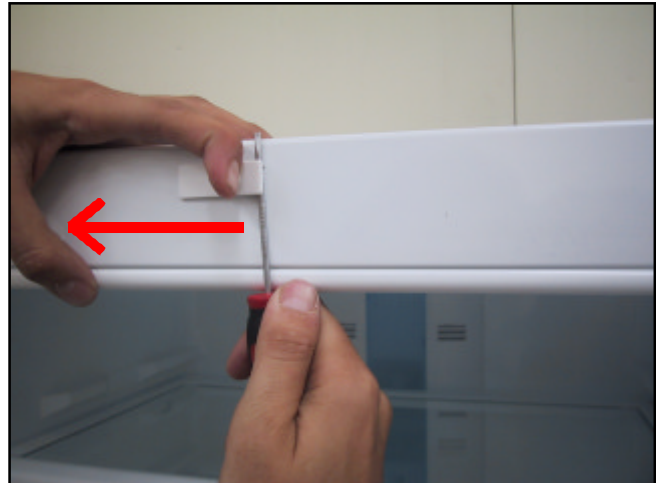


7. COMPONENTS DISASSEMBLY PICTURES

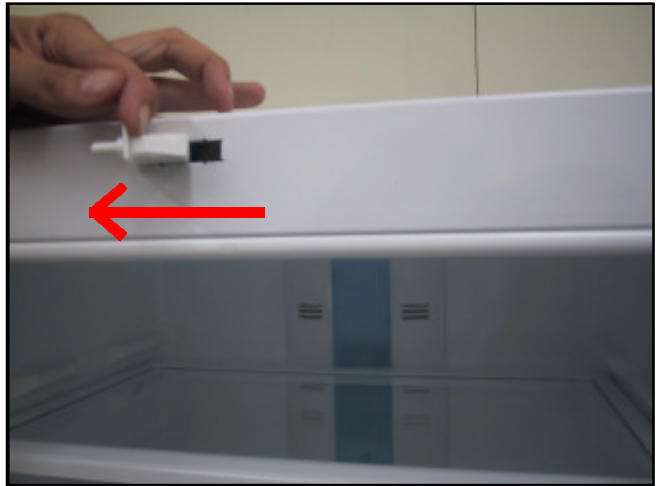
- SWITCH DOOR

- Force switch door to the left side and input a thin driver in the right part as picture shows. After this operation, lift switch up.

* Remark: Input driver carefully in order to lift up easily and avoid paint damages and scratches.



- move switch to left side.



- Take out switch and disconnect housing.

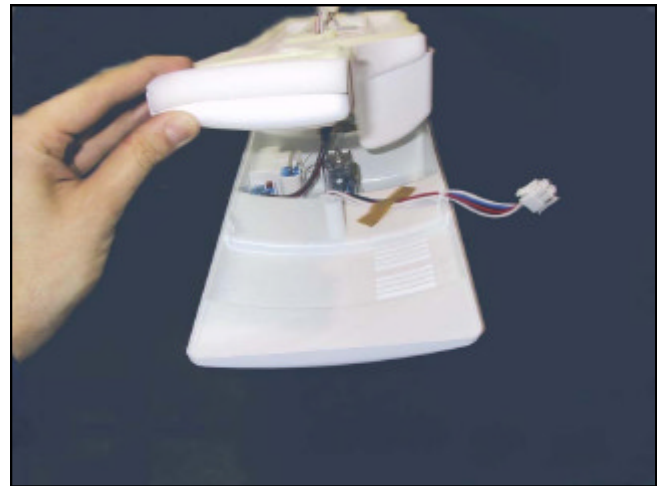


- MULTI DUCT

- Unscrew all fixed screws.



- Remove insulator multi-duct.



- Unscrew defrost timer and thermostat.



- Take out temperature control knob by a minus driver carefully.



- LOUVERS:

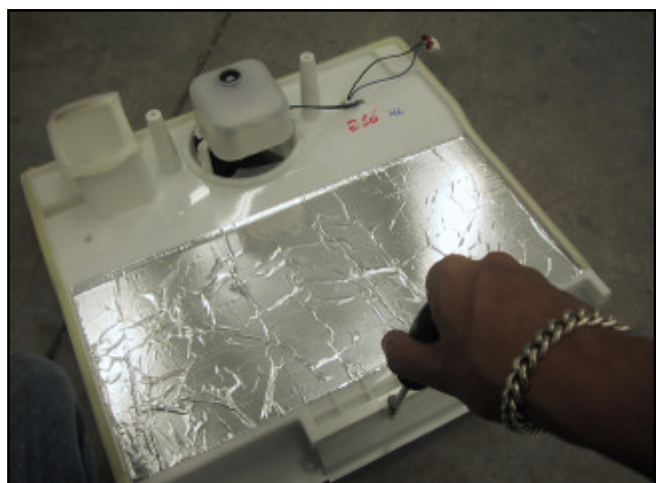
- Unscrew the two fixing screw for diassembly louver A and B



- Disconnect fan motor housing

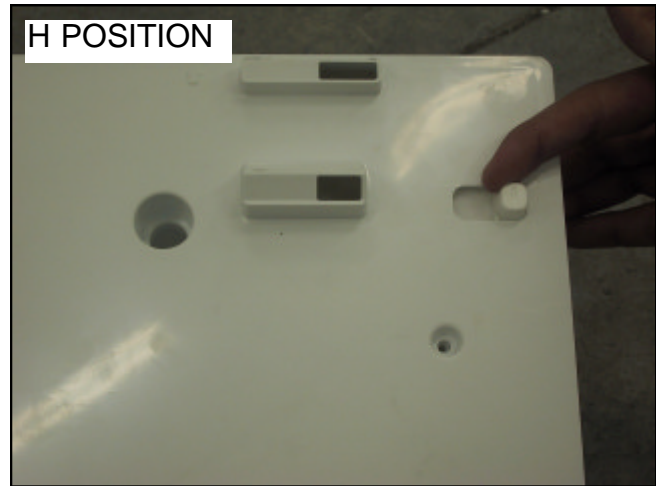
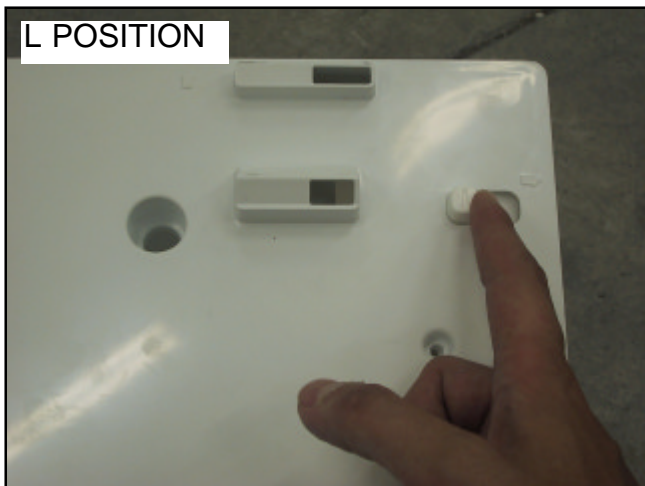
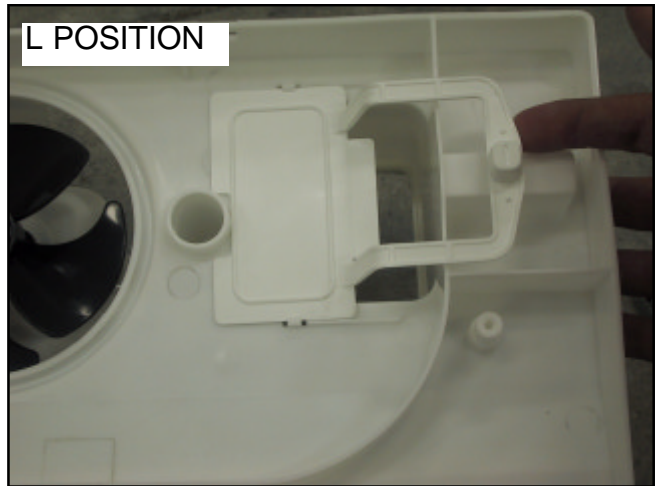


- Unscrew the fixing screw in order to disassemble Louver A.



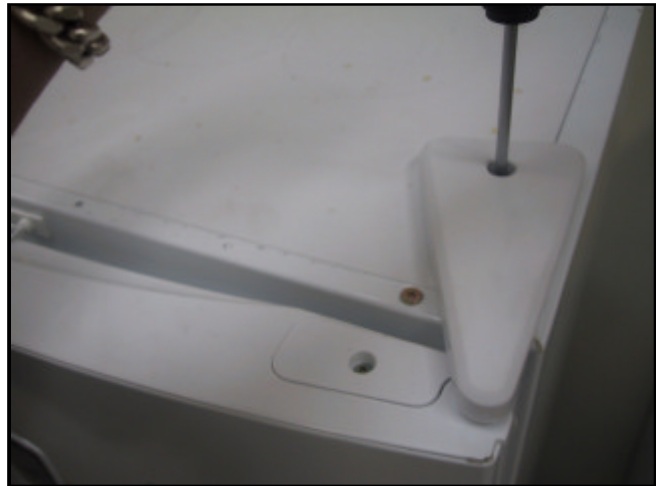
- When louvers are disassembled is very important check Knob F louver position.

Default position is M



-CHANGE DOOR OPEN SIDE

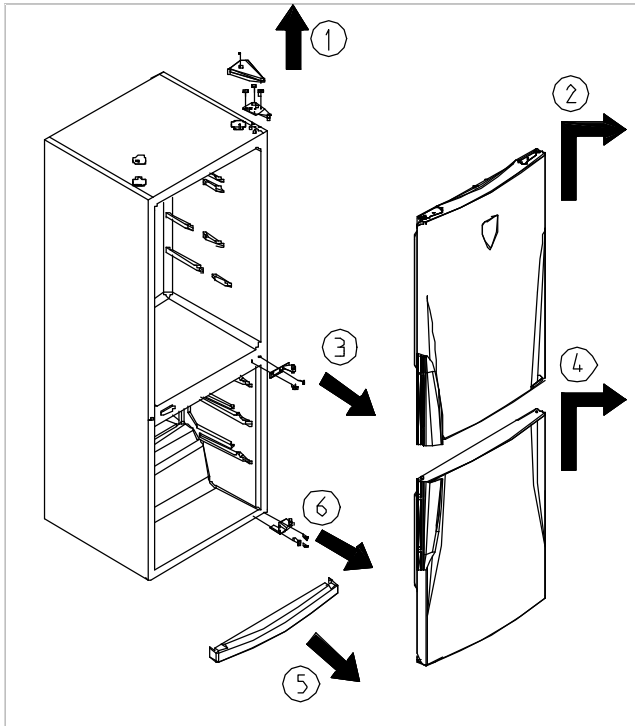
- Unscrew cover T hinge



Follow next sheets instructions to change door open side

8. DOOR POSITION CHANGE PROCESS

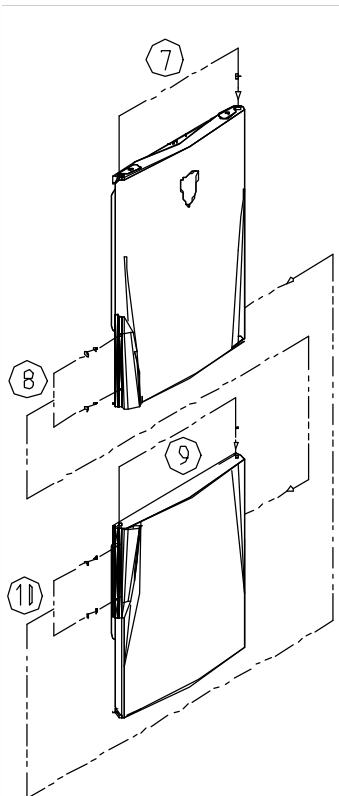
STEP 1 : Remove door



Follow to remove

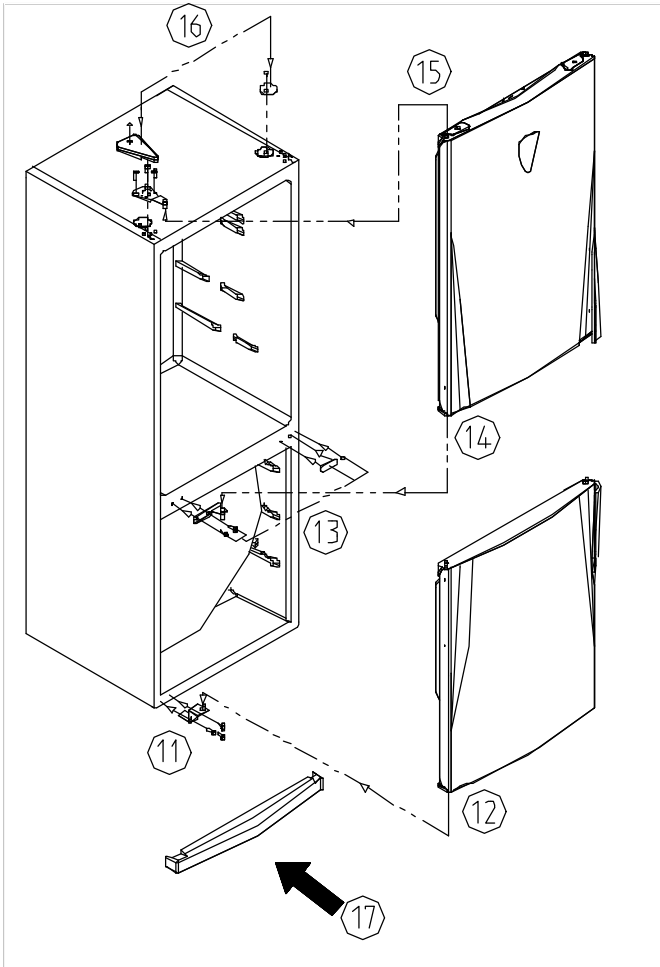
1. Remove “COVER HINGE” and “HINGE T”
2. Remove “R” door.
3. Remove “HINGE M”
4. Remove “F” door
5. Remove “COVER BRACKET”
6. Remove “HINGE U”

STEP 2 : Change door handle



7. Reverse the position of “COVER BUSHING”
8. Move “R DOOR HANDLE” to “F DOOR”
9. Reverse the position of “CAP DR BUSHING”
10. Move “F DOOR HANDLE” to “R DOOR”

STEP 3 : Change door open side



11. Attach the “HINGE U” on the left.

12. Attach the “F DOOR”

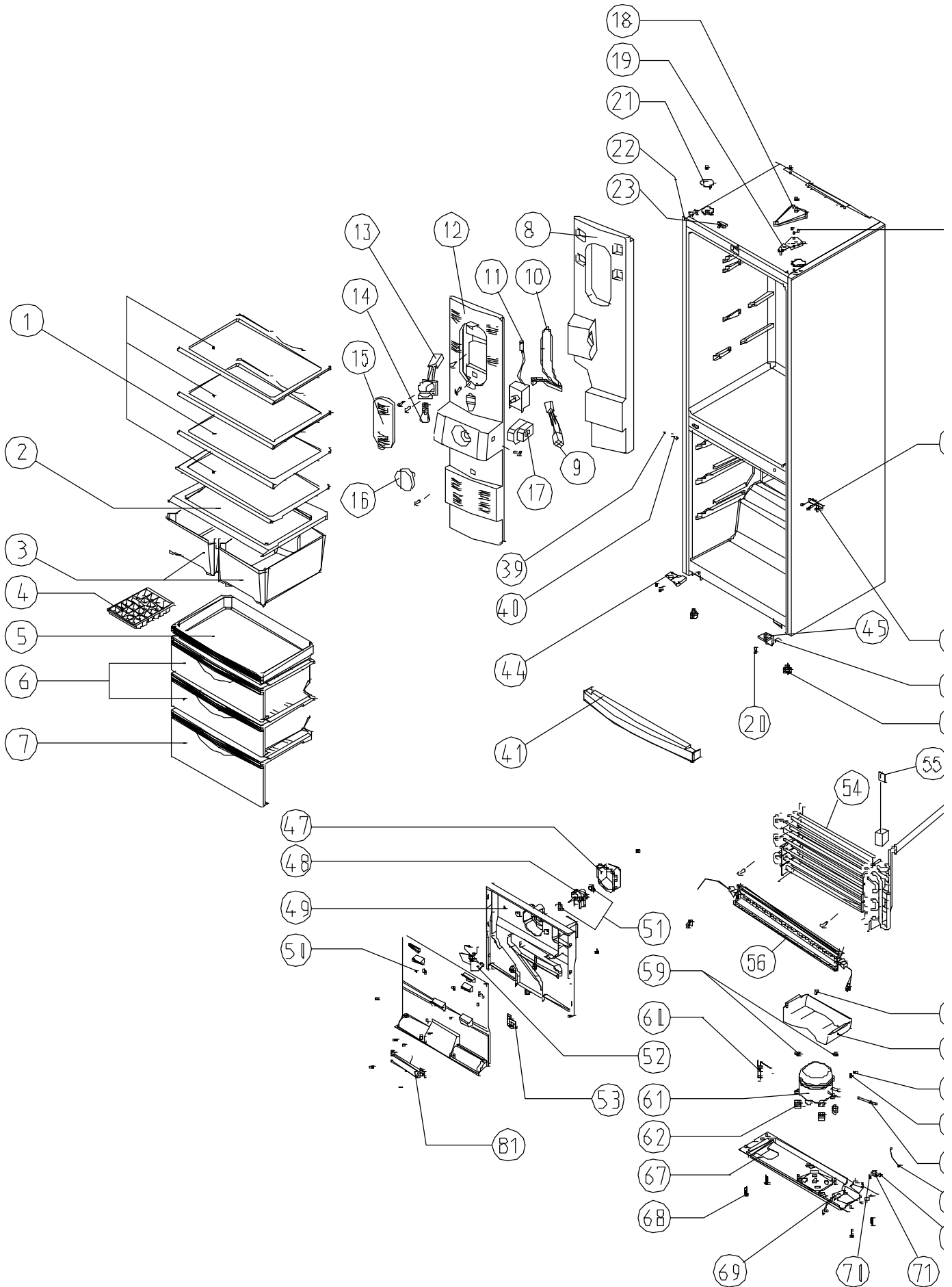
13. Reverse the position of “HINGE M” and
“CAP SCREW HOLE”

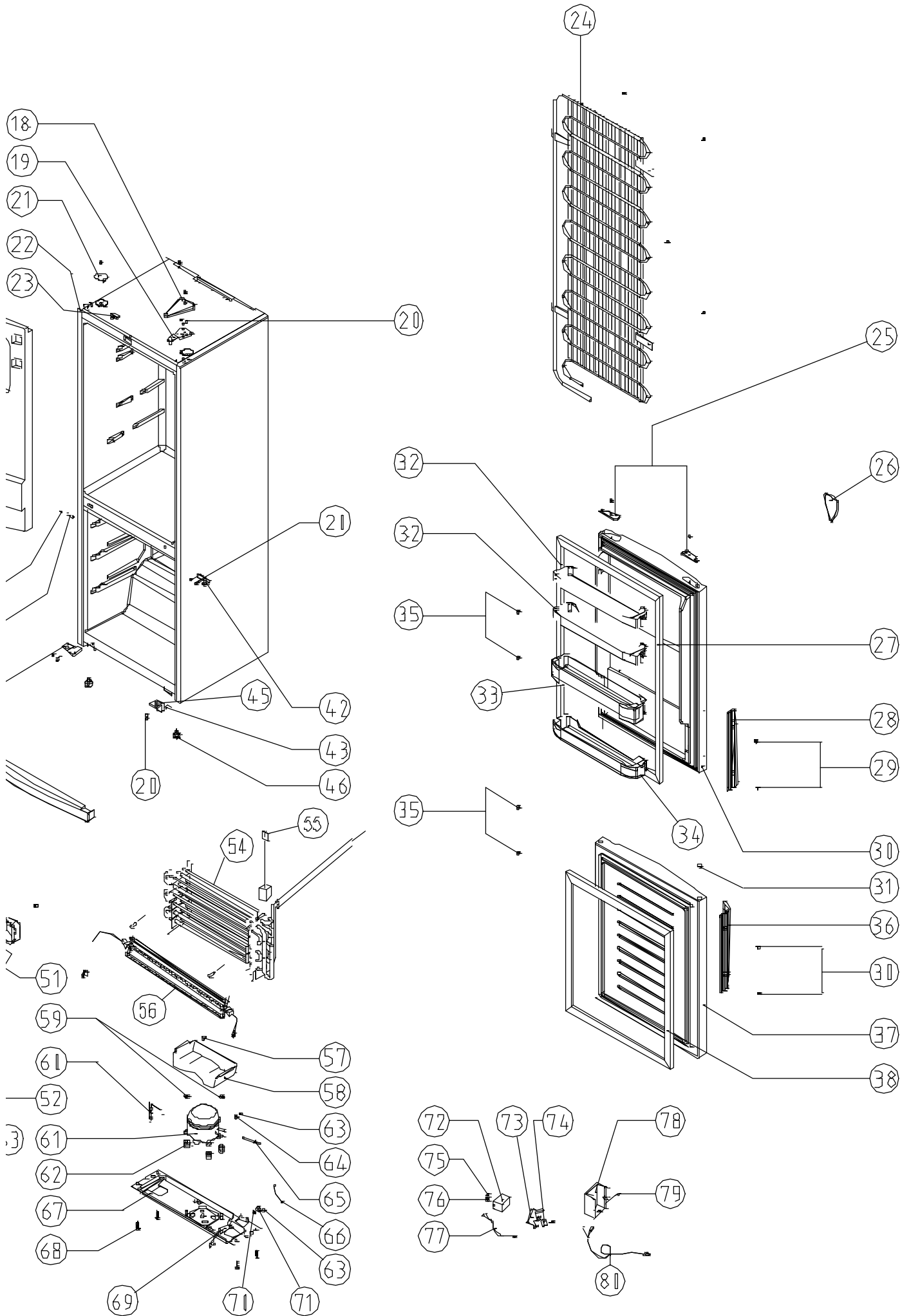
1. Attach the “R DOOR”

15. Attach the “HINGE T” on the left
of cabinet
after assembling to “R DOOR”

16. Reverse the position of “COVER
HINGE”
and “COVER CAB HARNESS”

9. EXPLODE DRAWING





10. PARTS LIST

NO	PART CODE	PART NAME	MODEL				REMARK
			366M	386M	396M	416M	
1	3017839400	GLASS SHELF (INSERT TYPE) '04	3	3	4	4	
2	3001402200	COVER GLASS V/CASE (INSERT TYPE) ERF**4	1	1	1	1	
3	DMS1181910	CASE VEGETABLE *L '04 BLUE MILKY 2006	1	1	1	1	BLUE MILKY
	DMS1182010	CASE VEGETABLE *R '04 BLUE MILKY 2006	1	1	1	1	BLUE MILKY
4	3011163200	CASE ICING	1	1	1	1	
5	3011181800	CASE F D	1	1	1	1	
6	DMS1184910	CASE F B AS	2	-	2	-	BLUE MILKY NO PRIN
	DMS1185010	CASE F C AS	-	2	-	2	BLUE MILKY NO PRIN
7	3011184800	CASE F A AS	1	1	1	1	BLUE MILKY
8	3013337100	INSULATOR MULTI DUCT M 36../ 38../ / 40	1	1	-	-	
	3013337300	INSULATOR MULTI DUCT M 39../ /41..	-	-	1	1	
9	3012756600	HARNESS THERMO-TIMER A	1	1	1	1	
10	3012756610	HARNESS THERMO-TIMER B	1	1	1	1	
11	3018120910	THERMOSTAT GN-176DB (OFF POSITION)	1	1	1	1	
12	DMS1452040	COVER MULTI DUCT 36../ 38../ / 40.. (OFF POSITION)	1	1	-	-	
	DMS1452340	COVER MULTI DUCT 39../ / 41.. (OFF POSITION)	-	-	1	1	
13	3017903900	SOCKET R LAMP AS	1	1	1	1	
14	3013600700	LAMP	1	1	1	1	
15	3015503300	WINDOW LAMP	1	1	1	1	
16	3013401410	KNOB R	1	1	1	1	
17	3018128310	SWITCH D TIMER (INVENSYS) CF-3001-21	1	1	1	1	
18	DMS1494310	COVER *T HINGE SNOW WHITE	1	1	1	1	SNOW WHITE
	DMS1494320	COVER *T HINGE SILVER	1	1	1	1	03 SILVER
19	3012922600	HINGE *T AS	1	1	1	1	
20	3016004900	SPECIAL BOLT C	9	9	9	9	
21	DMS1477510	COVER CAB HARNESS SNOW WHITE	1	1	1	1	SNOW WHITE
	DMS1477520	COVER CAB HARNESS SILVER	1	1	1	1	03 SILVER
22	-	ASSY CAB URT	1	-	-	-	
	-		-	1	-	-	
	-		-	-	1	-	
	-		-	-	-	1	
23	3011755200	SWITCH DOOR SNOW WHITE	1	1	1	1	WHITE
	3011762900	SWITCH DOOR SILVER	1	1	1	1	03 SILVER
24	3014434501	PIPE WI-CON AS	1	1	1	1	
25	3011477100	COVER HRNS*R SILVER	1	1	1	1	03 SILVER
	DMS1477110	COVER HRNS*R SNOW WHITE	1	1	1	1	SNOW WHITE
	DMS1477120	COVER HRNS*R (NG)	1	1	1	1	NOBLE GREY
	3011477200	COVER HRNS*L SILVER	1	1	1	1	03 SILVER
	DMS1477210	COVER HRNS*L SNOW WHITE	1	1	1	1	SNOW WHITE
	DMS1477220	COVER HRNS*L (NG)	1	1	1	1	NOBLE GREY
26		EMBLEM DAEWOO ERF**6M SILVER 2005	1	1	1	1	SILVER
		EMBLEM DAEWOO ERF**6M WHITE 2005	1	1	1	1	WHITE
27	3012306600	GASKET R DR 36./38. WHITE	1	1	-	-	
	3012306800	GASKET R DR-39./41. WHITE	-	-	1	1	
28	DMS2640020	HANDLE R SILVER	1	1	1	1	SILVER PAINT
	DMS2640010	HANDLE R SNOW WHITE	1	1	1	1	SNOW WHITE
29	3016033600	SPECIAL SCREW	4	4	4	4	
30	DMS0060140	ASSY R DR A/S 366 386N GRIP SW NEW DESIGN	1	1	-	-	SNOW WHITE
	DMS0060170	ASSY R DR A/S 366 386N GRIP SV 04 "IS" NEW DESIGN	1	1	-	-	SILVER 04
	DMS0060160	ASSY R DR A/S 366 386N GRIP IN "IV" NEW DESIGN	1	1	-	-	INOX
	DMS0061140	ASSY R DR A/S 396N 416N GRIP SW NEW DESIGN	-	-	1	1	SNOW WHITE
	DMS0061170	ASSY R DR A/S 396N 416N GRIP SV 04 "IS" NEW DESIGN	-	-	1	1	SILVER 04
	DMS0061160	ASSY R DR A/S 396N 416N GRIP IN "IV" NEW DESIGN	-	-	1	1	INOX

NO	PART CODE	PART NAME	MODEL				REMARK
			366M	386M	396M	416M	
31	3010967400	CAP DOOR BUSHING (SNOW WHITE)	1	1	1	1	SNOW WHITE
	DMS0967420	CAP DR BUSHING SILVER	1	1	1	1	03 SILVER
	DMS0967410	CAP DOOR BUSHING (DARK GRAY)	1	1	1	1	DARK GREY
32	3019025200	POCKET R	2	2	2	2	
33	DMS9026110	POCKET BOTL AS	1	1	1	1	BLUE MILKY
34	3019026200	POCKET MULTI AS	1	1	1	1	BLUE MILKY
35	3010910000	CAP HANDLE (SNOW WHITE)	4	4	4	4	SNOW WHITE
	DMS0910030	CAP HANDLE SILVER	4	4	4	4	03 SILVER
36	DMS2639820	HANDLE F SILVER	1	1	1	1	SILVER PAINT
	DMS2639810	HANDLE F SNOW WHITE	1	1	1	1	SNOW WHITE
37	DMS0062000	ASSY F DR A/S 366 396 SW	1	-	1	-	SNOW WHITE
	DMS0062030	ASSY F DR A/S 366 396 SV 04 "IS"	1	-	1	-	SILVER 04
	DMS0062020	ASSY F DR A/S 366 396 IN "IV"	1	-	1	-	INOX
	DMS0062120	ASSY F DR A/S 386 SW	-	1	-	-	SNOW WHITE
	DMS0062150	ASSY F DR A/S 386 SV 04 "IS"	-	1	-	-	SILVER 04
	DMS0062140	ASSY F DR A/S 386 IN "IV"	-	1	-	-	INOX
	DMS0062100	ASSY F DR A/S 416 SW	-	-	-	1	SNOW WHITE
	DMS0062080	ASSY F DR A/S 416 SV 04 "IS"	-	-	-	1	SILVER 04
DMS0062090	ASSY F DR A/S 416 IN "IV"	-	-	-	1	INOX	
38	3012306500	GASKET F DR 36./39. WHITE	1	-	1	-	
	3012306700	GASKET F DR 38./41. WHITE	-	1	-	1	
39	3010920200	CAP SCREW (SNOW WHITE)	1	1	1	1	WHITE
	DMS0920220	CAP SCREW SILVER	1	1	1	1	03 SILVER
40	3010920300	CAP SCREW HOLE	1	1	1	1	WHITE
41	DMS1494910	COVER CAB BRACKET SNOW WHITE	1	1	1	1	SNOW WHITE
	3011494900	COVER CAB BRACKET SILVER	1	1	1	1	03 SILVER
	DMS1494920	COVER CAB BRACKET N/G	1	1	1	1	NOBLE GREY
42	3012924800	HINGE*M COMMON 2005	1	1	1	1	
43	3012925510	HINGE UNDER R 36/34/38/39/41/40 2005	1	1	1	1	
44	3012925500	HINGE UNDER L 36/34/38/39/41/40 2005	1	1	1	1	
45	3014909100	SHAFT HI *U KOREA 2005	1	1	1	1	DMS1494910
46	3012104600	FOOT ADJUSTING AS	2	2	2	2	
47	3010615600	BRACKET FAN MOTOR	1	1	1	1	
48	3011804710	MOTOR FAN AS SHAFT 3,17 A GRADE 230V/50HZ	1	1	1	1	
49	3018918900	LOUVER F B 366/396	1	-	1	-	
	3018919000	LOUVER F B 416	-	1	-	1	
50	3018918700	LOUVER F A 366/396	1	-	1	-	
	3018918800	LOUVER F A 416	-	1	-	1	
51	3010107100	ABSORBER FAN MOTOR (BUSHING)	2	2	2	2	
52	3011801410	FAN GRADO A	1	1	1	1	
53	3013410700	KNOB F LOUVER	1	1	1	1	
54	3017045600	EVAPORATOR AS	1	1	1	1	
55	3012702400	SWITCH BI-METAL-FUSE	1	1	1	1	
56	3012806752	HEATER D AS MECH	1	1	1	1	
57	3010919700	CAP DRAIN HOSE	1	1	1	1	
58	3011162700	CASE VAPORY	1	1	1	1	
59	3012005300	FIXTURE COMP	2	2	2	2	
60	3016802210	DRYER AS 2005	1	1	1	1	
61	DMS0A00100	COMPRESSOR C-BE 140L5Z (SANYO)	1	1	1	1	
62	3010103400	ABSORBER COMP (SANYO COMPRESSOR)	4	4	4	4	
63	DMS1B00100	SCREW MACHINE	1	1	1	1	
64	DMS1B00200	SPECIAL WASHER	1	1	1	1	
65	3014418210	PIPE CHARGE (SANYO)	1	1	1	1	
66	3012735220	HARNESS EARTH (SANYO)	1	1	1	1	
67	DMS0001600	BASE COMP (SANYO COMPRESSOR)	1	1	1	1	

NO	PART CODE	PART NAME	MODEL				REMARK
			366M	386M	396M	416M	
68	3016004300	SPECIAL SCREW A	4	4	4	4	
69	DMS6402129	CAPACITOR RUNNIING FINISH 4uF	1	1	1	1	
70	DMS6006510	SPECIAL WASHER R/C	1	1	1	1	
71	DMS6006410	SPECIAL NUT R/C	1	1	1	1	
72	DMS0527900	RELAY BOX	1	1	1	1	
73	DMS1200100	CLAMP CORD A	1	1	1	1	
74	DMS1200200	CLAMP CORD B	1	1	1	1	
75	DMS1A00100	SWITCH OL 4TM232RHBYY-53 (SANYO)	1	1	1	1	
76	DMS1C00100	SWITCH PTC PTH7M330MD2 (SANYO)	1	1	1	1	
77	3012731902	HARNESS RELAY COMMON	1	1	1	1	
78	3011454100	COVER MECH HOUSING	1	1	1	1	
79	7112401011	SCREW TAPPING 4*10	1	1	1	1	
80	3011343340	CORD POWER AS SCHUK 2 PIN	1	1	1	1	COMMON
81	3018920700	LOUVER F C	1	1	1	1	



DAEWOO ELECTRONICS MANUFACTURING ESPAÑA S.A
Polígono industrial de Jándiz
C/Zurrupitieta 27, 01015 Vitoria, Spain

Tel: 00 34 945292292
Fax:00 34 945290965