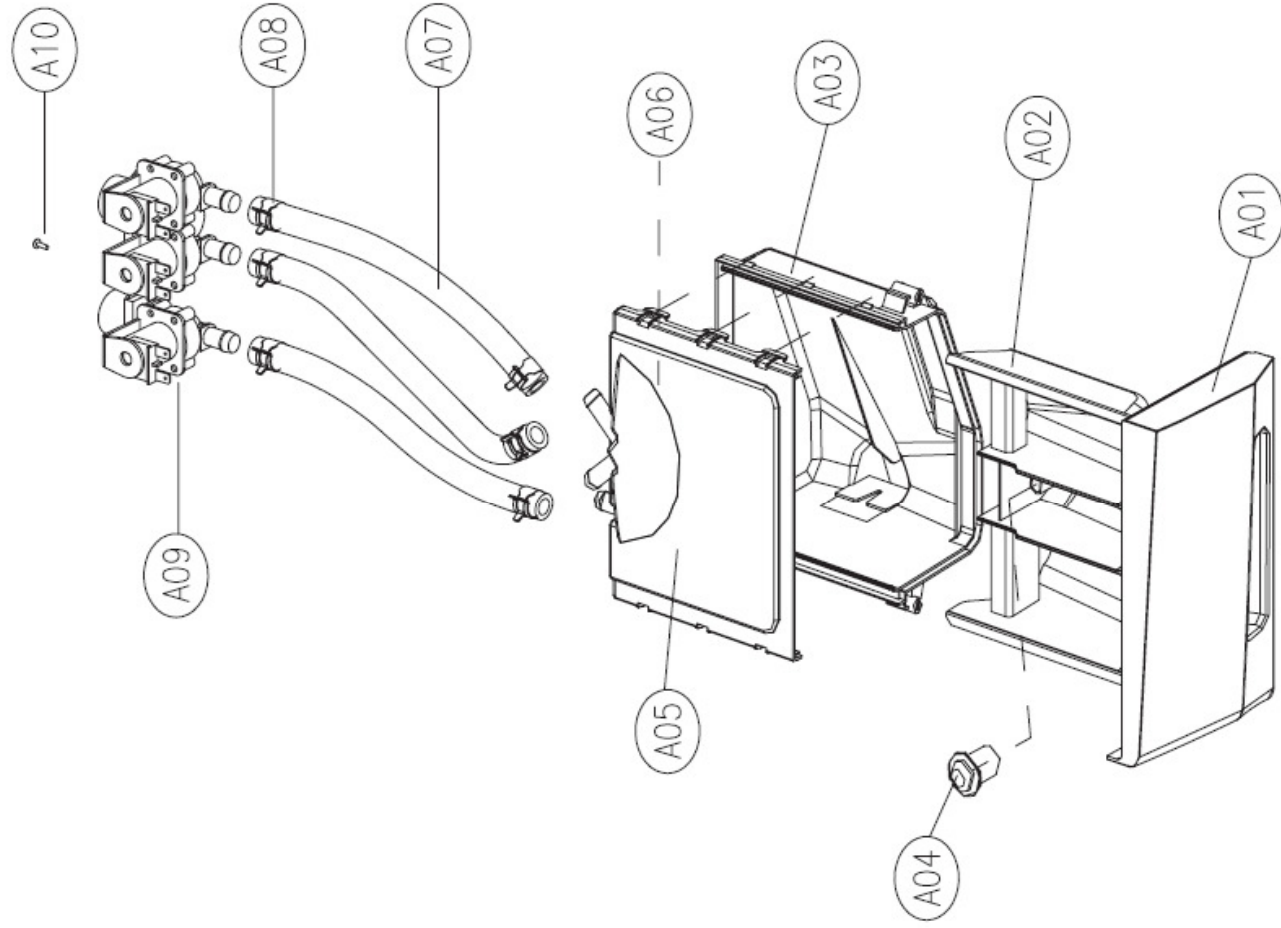
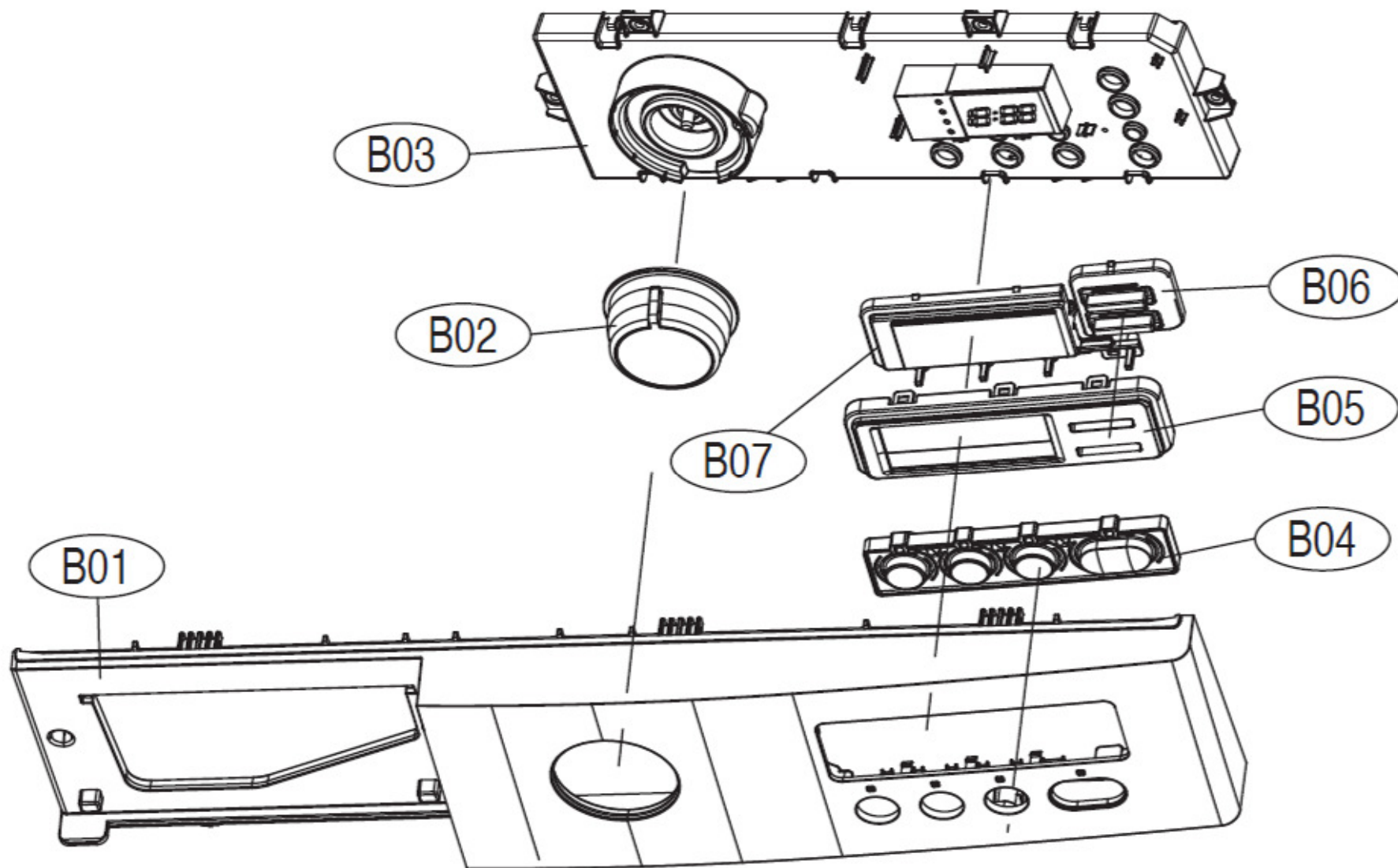


# 5. EXPLODE VIEW AND PARTS LIST

## ■ BOX INLET AS



## ■ PANEL FRONT AS



# ■ CABINET FRONT AS

