

Service Manual

Washing Machine

Model: DWD-FD1411/1412/1413

DWD-FD1421/1422/1423

DWD-FD1431/1432/1433

DWD-FD1441/1442/1443

DWD-FD1451/1452/1453

DWD-FD1461/1462/1463

DWD-FD1471/1472/1473

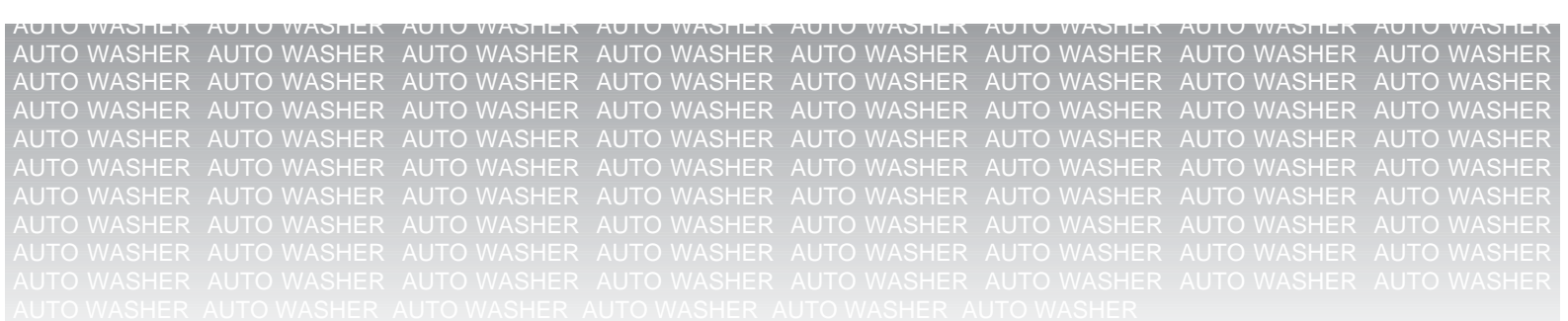
✓ **Caution**

: In this Manual, some parts can be changed for improving, their performance without notice in the parts list. So, if you need the latest parts information, please refer to PPL(Parts Price List) in Service Information Center (<http://svc.dwe.co.kr>).

DAEWOO ELECTRONICS CORP.

<http://svc.dwe.co.kr>

Sep. 2010

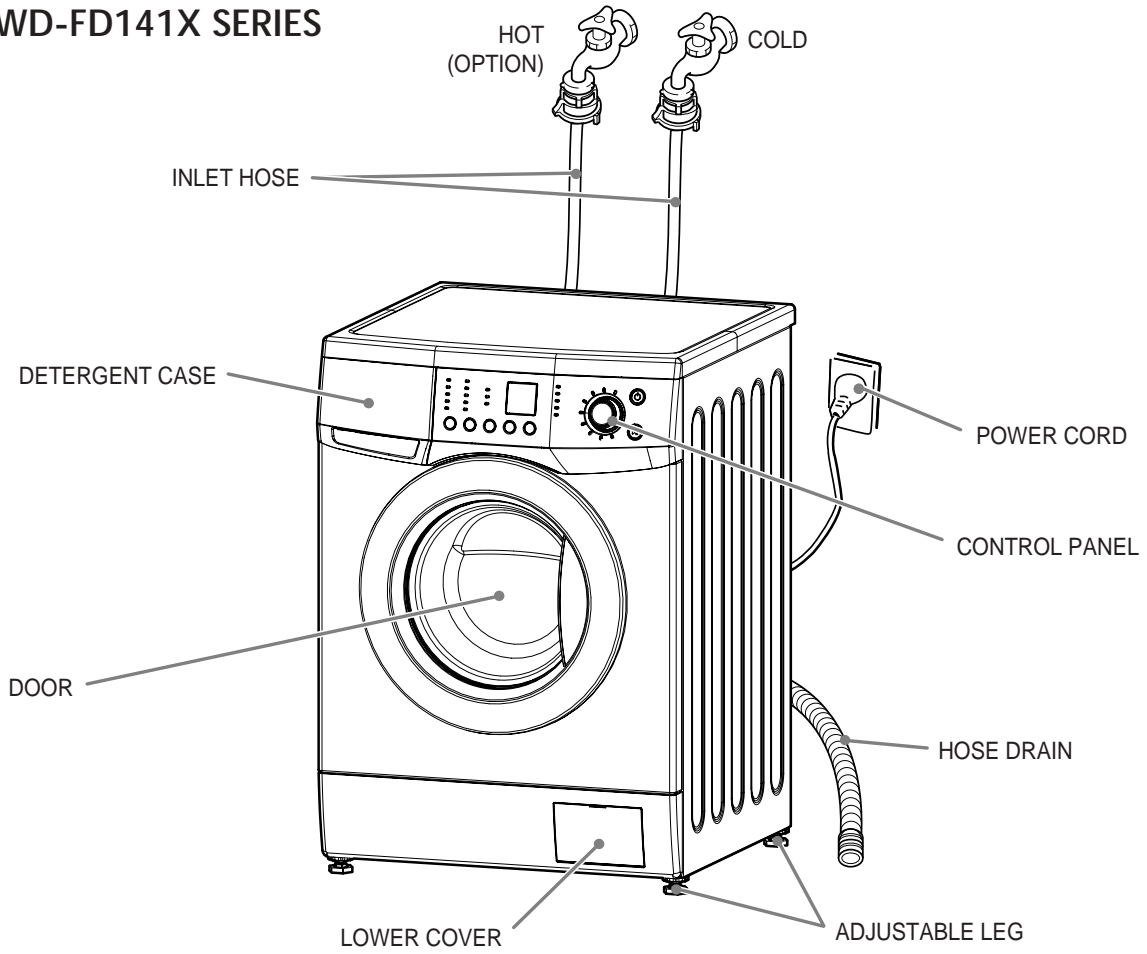


WASHING MACHINE

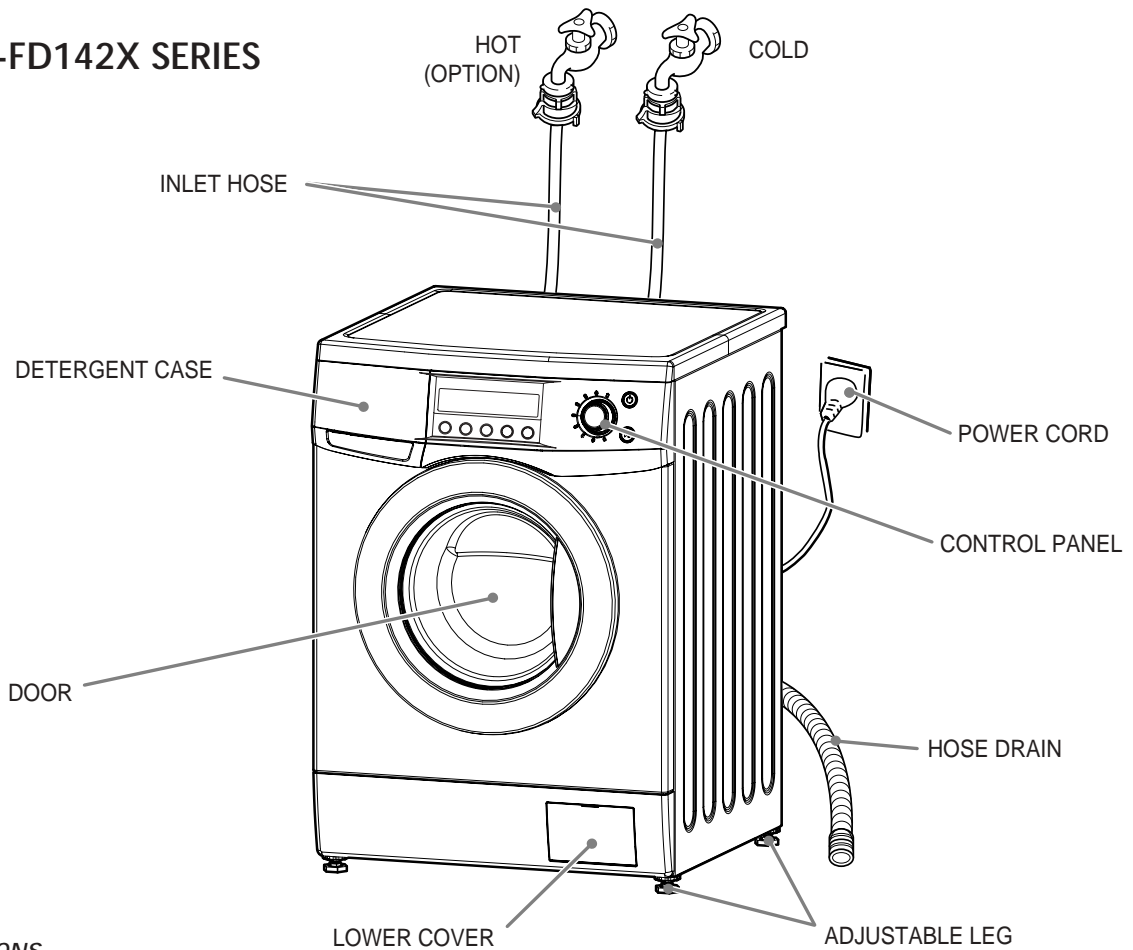
Contents

- 1. SPECIFICATIONS.....2**
- 2. INSTALLATION8**
 - Removing transit bolts.....8
 - Installation place requirement.....9
 - BS Plug Safety Details (For U.K. User).....9
 - Connecting inlet hose10
 - Installation of drain hose11
 - Level adjustment12
- 3. MAINTENANCE13**
 - Cleaning your washer13
 - Cold condition.....13
 - Cleaning the water inlet filter14
 - Cleaning the drain pump filter.....14
 - Cleaning the detergent case.....15
 - Cleaning the washing drum.....15
- 4. DIRECTION FOR DISASSEMBLY16**
- 5. EXPLODE VIEW AND PARTS LIST19**
- 6. FUNCTIONS OF THE CONTROL PANEL.....42**
- 7. FUNCTIONS OF THE CONTROLLER.....56**
- 8. FUNCTION OF THE CONVENIENT SERVICE.....58**
- 9. TROUBLESHOOTING GUIDE61**
- 10. WIRING DIAGRAM65**

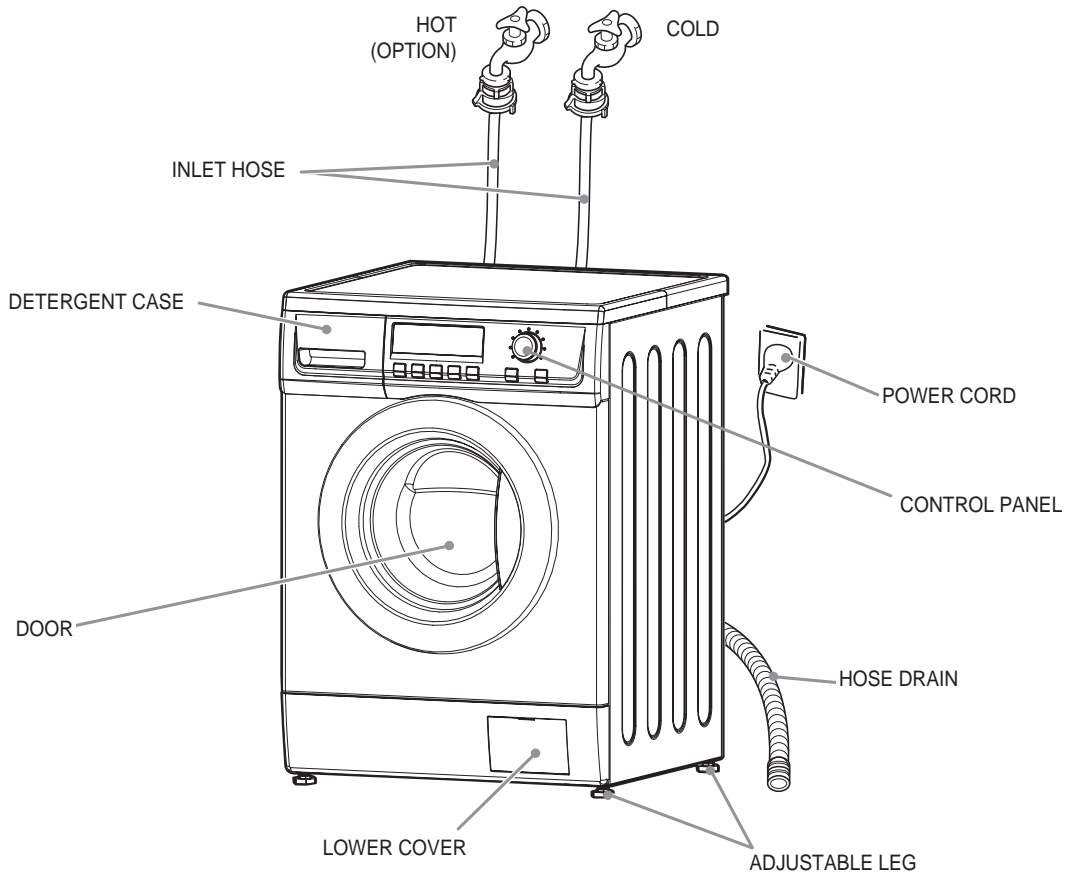
■ DWD-FD141X SERIES



■ DWD-FD142X SERIES

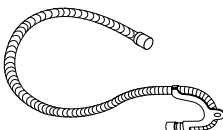
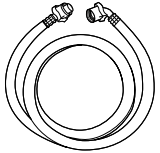




■ DWD-FD143X SERIES

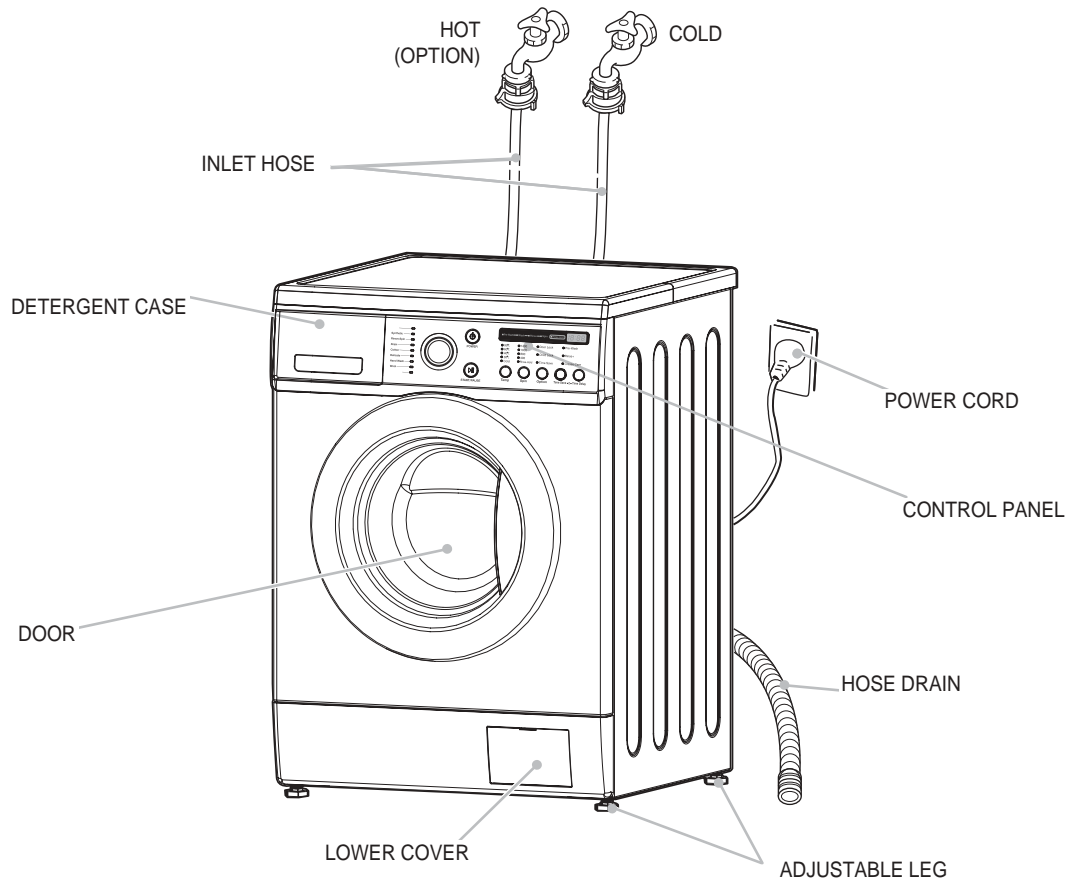


MODEL		DWD-FD1411/1412/1413, DWD-FD1421/1422/1423, DWD-FD1431/1432/1433
POWER SOURCE		220-240V, 50/60Hz
DiMENSION (WXDXH)		595mm x 540mm x 850mm
WEIGHT		58 kg
WATER CONSUMPTION		56.1 ℓ
POWER CONSUMPTION		2200W
MAXIMUM MASS OF TEXTILE	WASH	7 kg
	SPIN	7 kg
WASHER TYPE		DRUM TYPE (FRONT LOADING WASHING MACHINE)
OPERATING WATER PRESSURE		0.3 ~ 8kgf/cm ² (29.4 ~ 784kPa)

■ Accessories

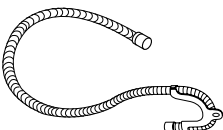
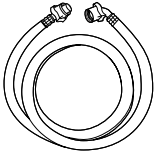


Hose drain	Inlet hose	Manual	Cap holder(3EA)
			

■ DWD-FD144X SERIES

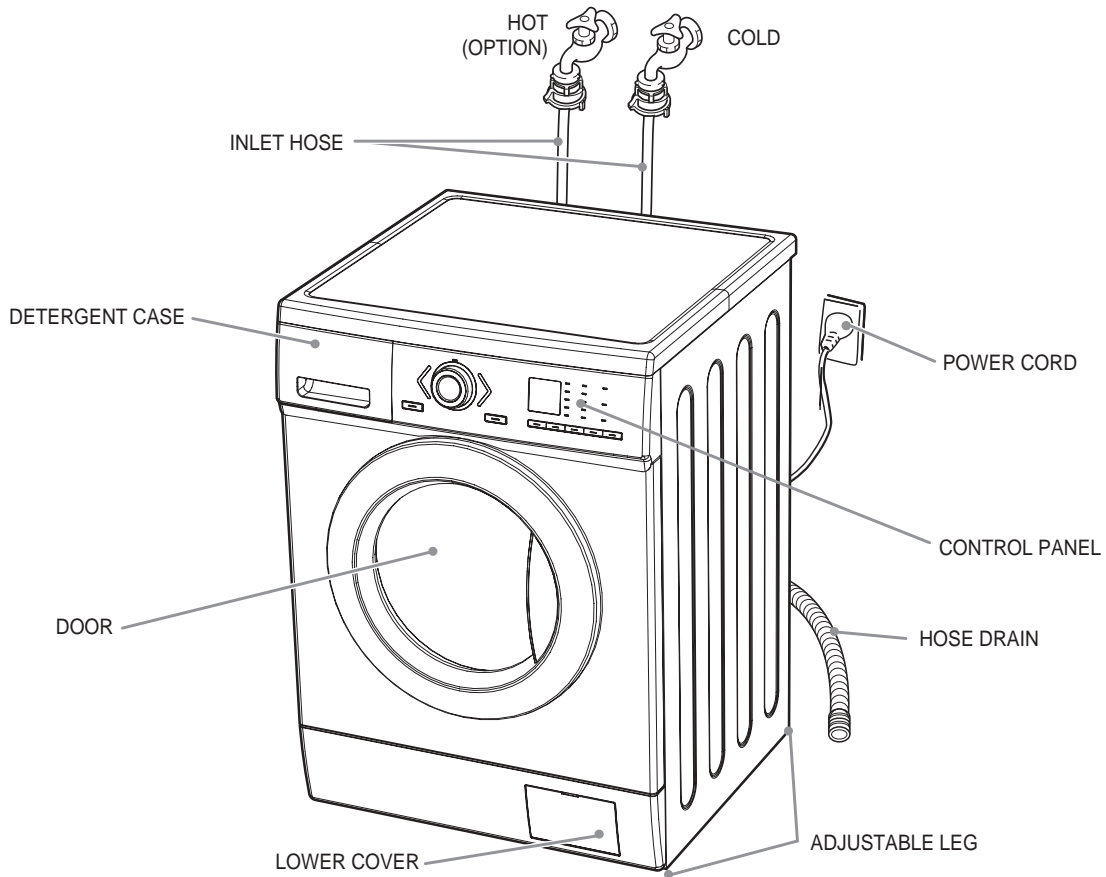


MODEL		DWD-FD1441/1442/1443/1444/1445	
POWER SOURCE		127V/60Hz , 220-240V/50-60Hz	
DiMENSION (WXDXH)		595mm x 540mm x 850mm	
WEIGHT		58 kg	
WATER CONSUMPTION		56.1 ℓ	
POWER CONSUMPTION		2200W	
MAXIMUM MASS OF TEXTILE	WASH	7 kg	
	SPIN	7 kg	
WASHER TYPE		DRUM TYPE (FRONT LOADING WASHING MACHINE)	
OPERATING WATER PRESSURE		0.3 ~ 8kgf/cm ² (29.4 ~ 784kPa)	

■ Accessories

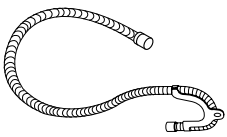
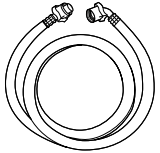


Hose drain	Inlet hose	Manual	Cap holder(3EA)
			

■ DWD-FD145X SERIES

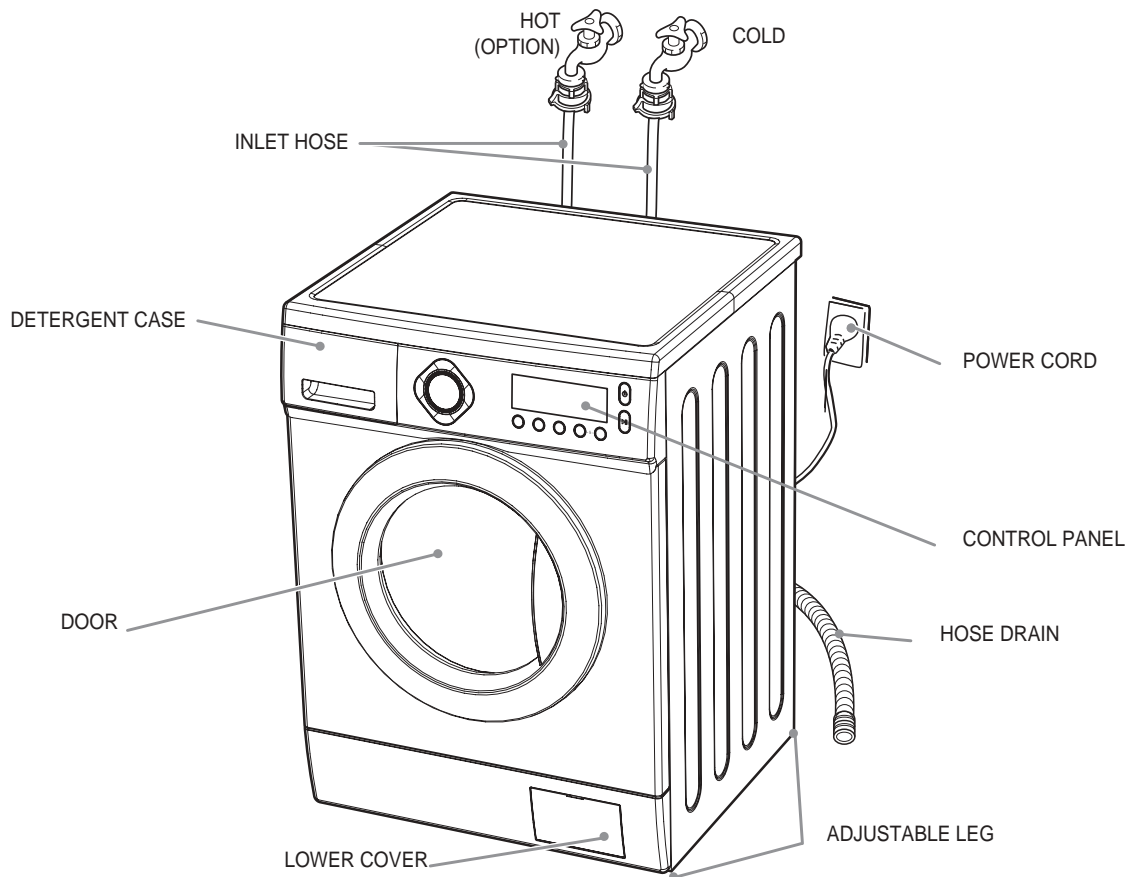


MODEL		DWD-FD1451/1452/1453/1454/1455	
POWER SOURCE		220-240V/50-60Hz	
DIMENSION (WXDXH)		595mm x 540mm x 850mm	
WEIGHT		58 kg	
WATER CONSUMPTION		56.1 ℓ	
POWER CONSUMPTION		2200W	
MAXIMUM MASS OF TEXTILE	WASH	7 kg	
	SPIN	7 kg	
WASHER TYPE		DRUM TYPE (FRONT LOADING WASHING MACHINE)	
OPERATING WATER PRESSURE		0.3 ~ 8kgf/cm ² (29.4 ~ 784kPa)	

■ Accessories

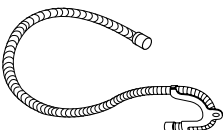
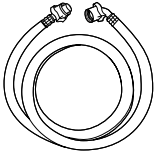


Hose drain	Inlet hose	Manual	Cap holder(3EA)
			

■ DWD-FD146X SERIES

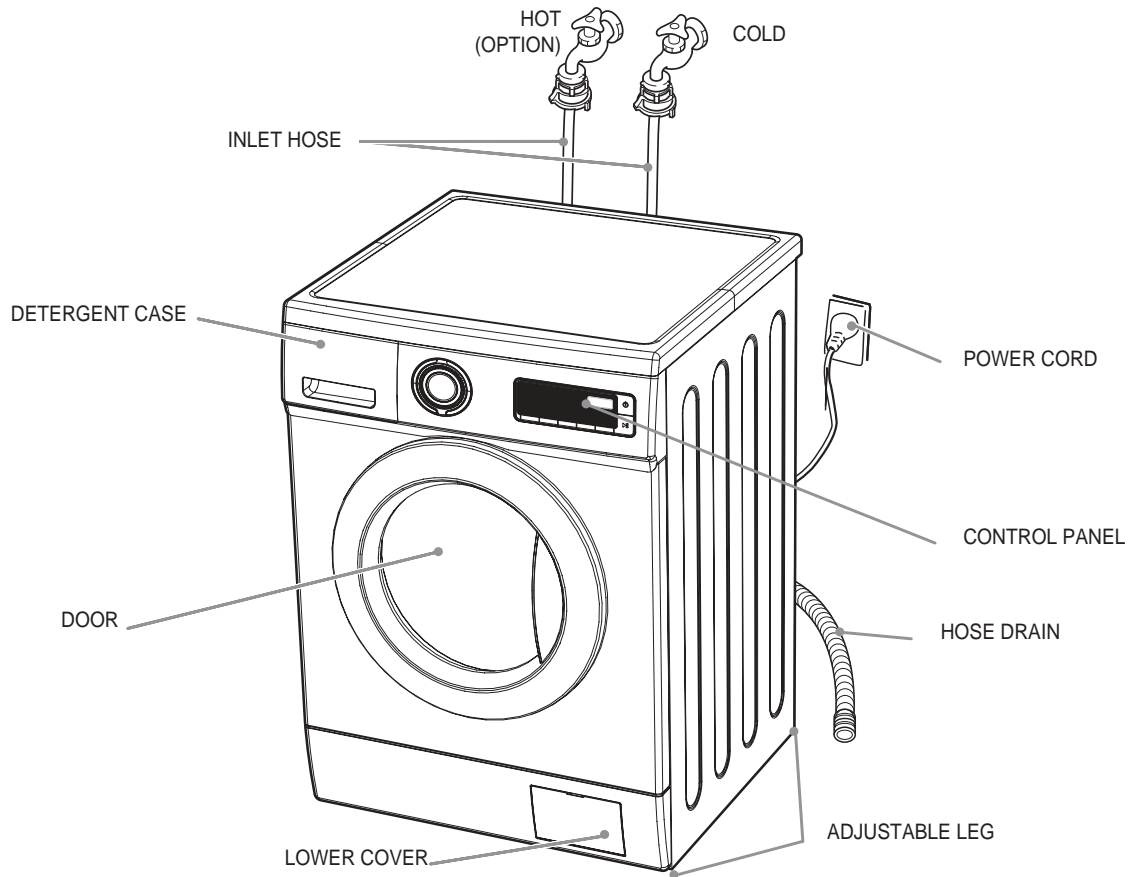


MODEL		DWD-FD1461/1462/1463/1464/1465	
POWER SOURCE		220-240V, 50/60Hz	
DIMENSION (WXDXH)		595mm x 540mm x 850mm	
WEIGHT		58 kg	
WATER CONSUMPTION		56.1 ℓ	
POWER CONSUMPTION		2200W	
MAXIMUM MASS OF TEXTILE	WASH	7 kg	
	SPIN	7 kg	
WASHER TYPE		DRUM TYPE (FRONT LOADING WASHING MACHINE)	
OPERATING WATER PRESSURE		0.3 ~ 8kgf/cm ² (29.4 ~ 784kPa)	

■ Accessories

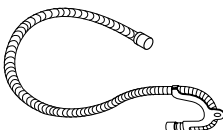
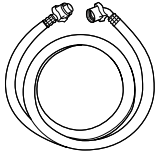


Hose drain	Inlet hose	Manual	Cap holder(3EA)
			

■ DWD-FD147X SERIES



MODEL		DWD-FD1471/1472/1473/1474/1475	
POWER SOURCE		220-240V/50-60Hz	
DIMENSION (WXDXH)		595mm x 540mm x 850mm	
WEIGHT		58 kg	
WATER CONSUMPTION		56.1 ℓ	
POWER CONSUMPTION		2200W	
MAXIMUM MASS OF TEXTILE	WASH	8 kg	
	SPIN	8 kg	
WASHER TYPE		DRUM TYPE (FRONT LOADING WASHING MACHINE)	
OPERATING WATER PRESSURE		0.3 ~ 8kgf/cm ² (29.4 ~ 784kPa)	

■ Accessories

Hose drain	Inlet hose	Manual	Cap holder(3EA)
			

2. INSTALLATION

■ Transit bolts

The appliance is fitted with transit bolts to prevent internal damage during transport.

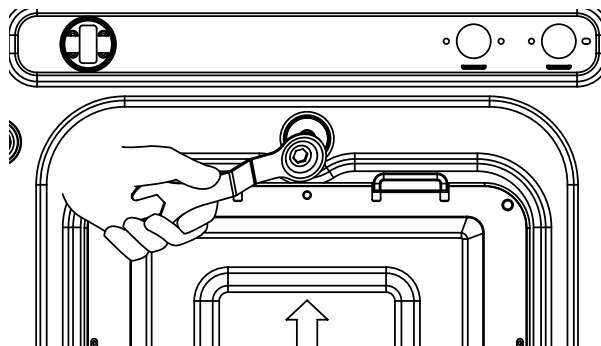
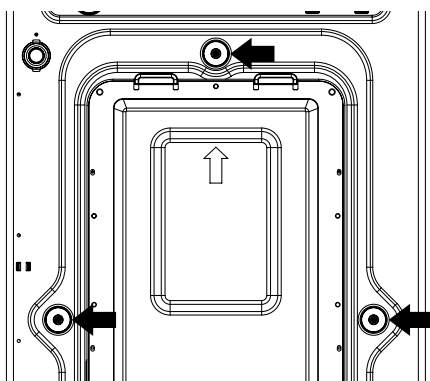
■ Removing transit bolts

1. To prevent internal damage during transport, the special 3 bolts are locked. Before operating the washer, remove the bolts along with the rubber bungs.

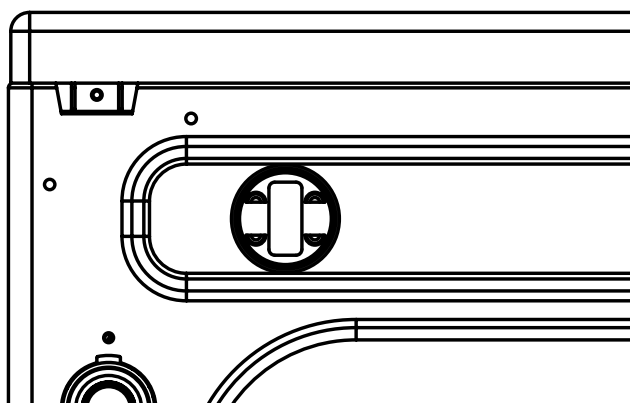
- If they are not removed, it may cause heavy vibration, noise and malfunction.

2. Unscrew the 3 bolts with the 10mm hex wrench or spanner or cross-tip screwdriver. Keep the 3 bolts for a later time.

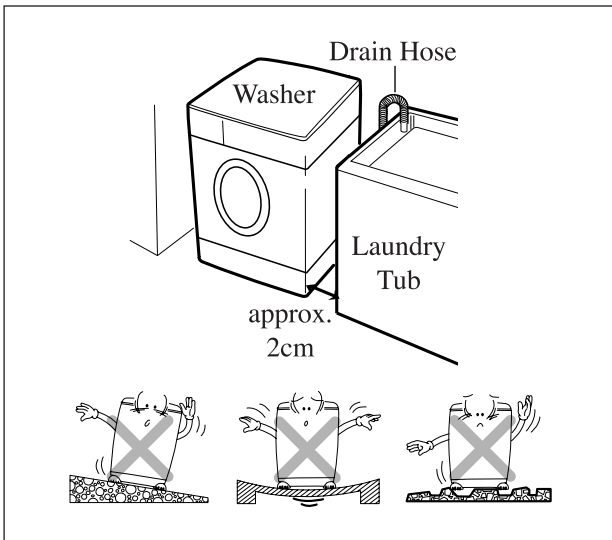
- When the appliance is transported, transit bolts will be re-used.



3. Close the holes with the caps supplied.



■ Installation place requirement



Level floor :

Allowable slope under entire washer is 1°.

Power outlet :

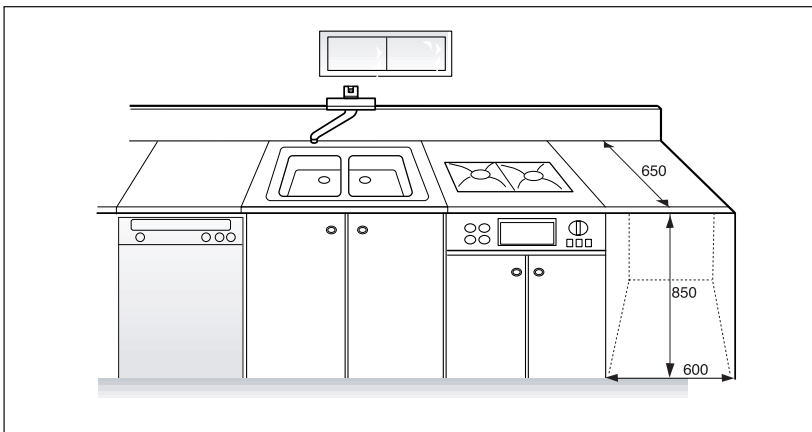
Must be with 1.5 meters of entire side of location of washer. Do not overload the outlet with more than one appliance.

Additional Clearance :

For wall, door and floor modeling is required. (10cm : rear / 2cm : right & left side)

Do not place or store laundry products on top of washer at any times.

They can damage the finish or controls.



■ BS Plug Safety Details (For U.K. User)

IMPORTANT

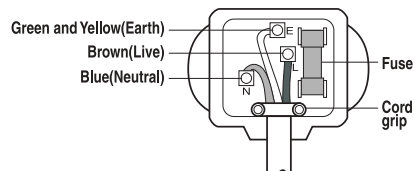
THE WIRES IN THIS MAINS LEAD ARE COLOURED IN ACCORDANCE WITH THE FOLLOWING CODE:

GREEN AND YELLOW : EARTH

BLUE : NEUTRAL

BROWN : LIVE

This appliance must be earthed



As the colours of the wires in the mains lead of this apparatus may not correspond with the coloured markings identifying the terminals in your plug, proceed as follows:

The wire which is coloured Green and Yellow must be connected to the terminal in the plug which is marked with the letter E or by the earth symbol \oplus or coloured Green or Green and Yellow.

The wire which is coloured Blue must be connected to the terminal which is marked with the letter N or coloured Black.

The wire which is coloured Brown must be connected to the terminal which is marked with the letter L or coloured Red.

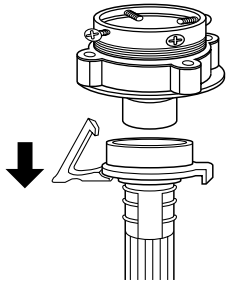
If a 13 amp (BS 1363) plug is used, fit a 13amp BS 1362 fuse.

■ Connecting inlet hose

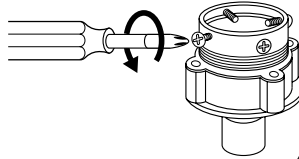
In using only one water tap or in case of only one water inlet valve, connect the inlet hose to the cold water inlet valve.
Option : Be careful not to confuse hot water inlet and cold water inlet.

•••• FOR ORDINARY TAP

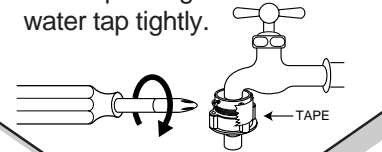
- ① Pull down the collar of the inlet hose to separate it from the water tap adapter.



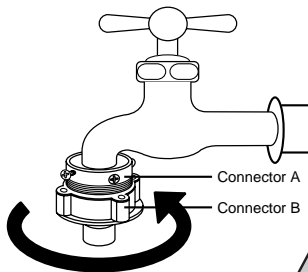
- ② Loosen the four screws properly in order to fit into water tap.



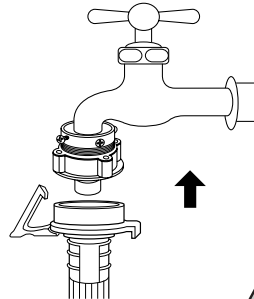
- ③ Fit the water tap adapter into the water tap and tighten the four screws evenly while pushing up the adapter so that the rubber packing can stick to the water tap tightly.



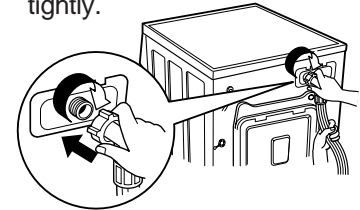
- ④ Remove the tape, and screw connector B into connector A tightly.



- ⑤ Connect the inlet hose to the water tap adapter by pulling down the collar of the hose end.



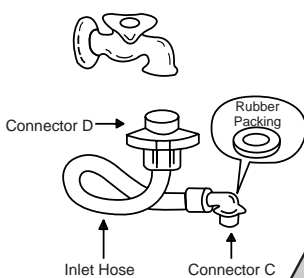
- ⑥ Connect the inlet hose adapter of the hose to the water inlet of the washer by turning it clockwise to be fixed tightly.



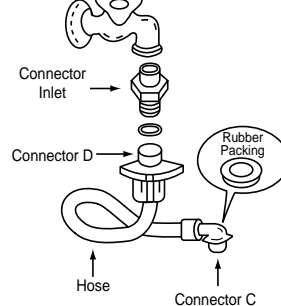
- Please check the rubber packing present inside the inlet hose adapter of the hose.

•••• FOR SCREW-SHAPED TAP

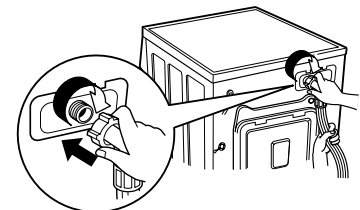
- ① Connect the inlet hose to the water tap adapter by pulling down the collar of the hose end.



- ② Connect the connector-inlet supplied if necessary.

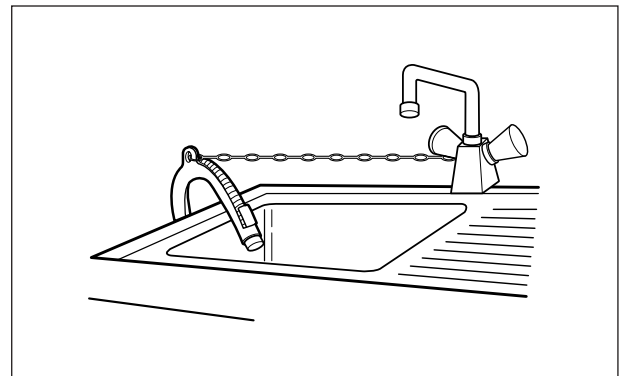
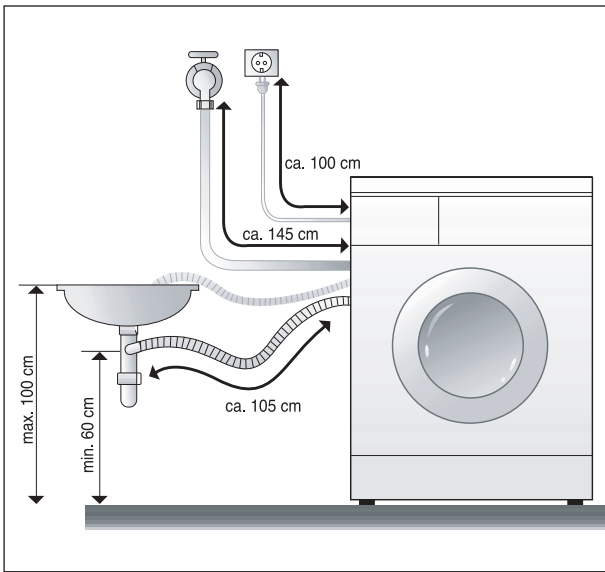


- ③ Connect the inlet hose adapter to the water inlet of the washer and turn it to be fixed.

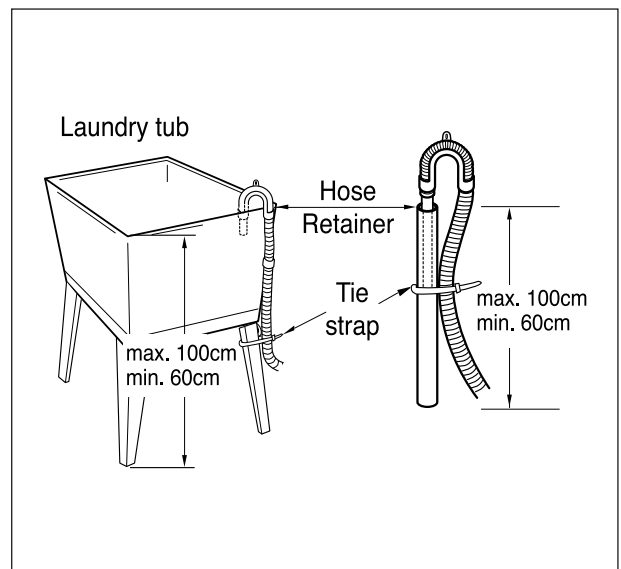
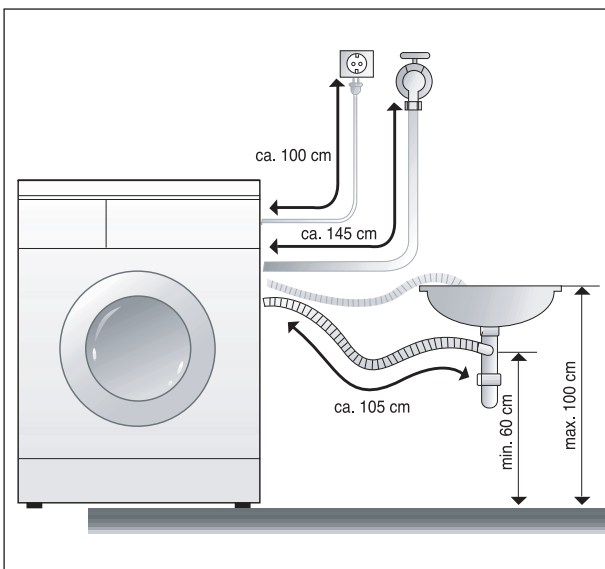


- Check the packing in the inlet.

■ Installation of drain hose



- When installing the drain hose in sink, secure it tightly with a string.
- Proper securing of the drain hose will **protect the floor from damage due to water leakage.**



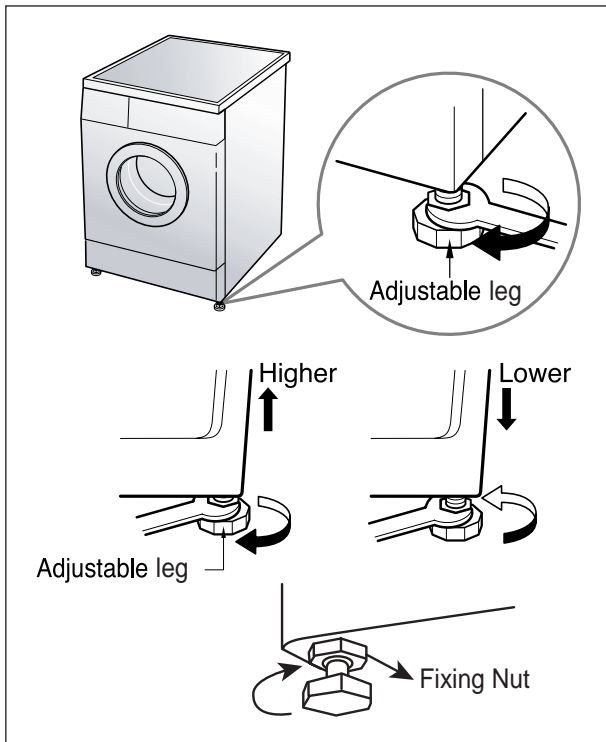
- The drain hose should not be placed **higher than 100cm above the floor.**
- Proper securing of the drain hose will **protect the floor from damage due to water leakage.**
- When the drain hose is too long, do **not force back in to the washer. This will cause abnormal noise.**

■ Level adjustment

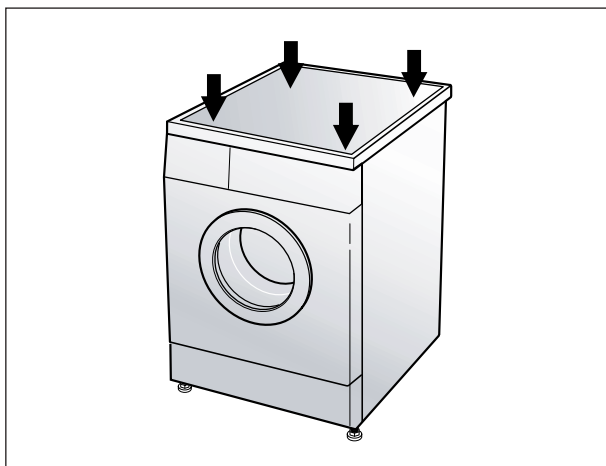


1. The level adjustment of the washing machine prevents excessive noise and vibration. Install the washing machine on a solid and even floor surface, if possible, in a corner of the room.

Note: The wooden floor may cause excessive vibration.



2. If the floor is uneven, adjust the adjustable leg as the following.
(Do not insert pieces of wood etc. under legs.)
 - Please check whether there is any gap between four adjustable legs and the floor.
 - Turn adjustable legs by the enclosed spanner in order to adjust the level of the washing machine.
 - Make it sure that there is no swaying of the washing machine and check that the washing machine is even completely. (use a spirit level)
 - After the level adjustment is finished, turn fixing nuts up tightly so that the washing machine maintains the adjustment.



- ※ Diagonal Check
When pushing down the edges of the washing machine top plate diagonally, the machine should not move up and down at all.
(Please, check both of two directions)
If machine rocks when pushing the machine top plate diagonally, adjust legs again.

✿ Before cleaning the washer interior, unplug the electrical power cord avoid electrical shock hazards.

■ Cleaning your washer

1. Exterior

Proper care of your washer can extend its life.

The outside of the machine can be cleaned with warm water and a neutral non abrasive household detergent.

Immediately wipe off any spills. Wipe with damp cloth.

Try not to hit surface with sharp objects.

- Do not use methylated spirits, diluents or similar products.

2. Interior

Dry around the washer door opening, flexible gasket and door glass.

Run washer through a complete cycle using hot water.

Repeat process if necessary.

- Remove hard water deposits using only cleaners labeled as washer safe.

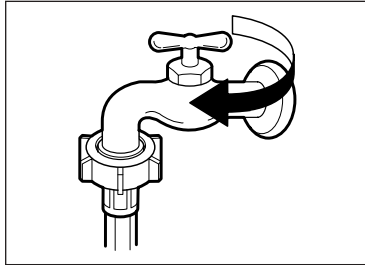
■ Cold condition

If the washer is stored in an area where freezing may occur or moved in freezing temperature, follow these instructions to prevent damage to the washer.

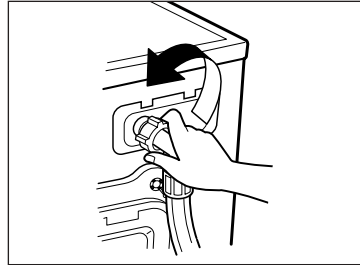
1. Turn off water supply tap.
2. Disconnect hoses from water supply and drain water from hoses.
3. Plug electrical cord into a properly grounded electrical outlet.
4. Add 1 gallon(3.8L) of nontoxic recreational vehicle(RV) antifreeze into empty wash drum.
Close the door.
5. Set spin cycle and let washer spin for 1 minute to drain out all water.
6. Unplug electrical power cord, dry the drum interior, and close the door.
7. Remove detergent case and dry excessive water from the compartments.
8. Store washer in an upright position.
9. To remove antifreeze from washer after storage, run empty washer through a complete cycle using detergent.
Do not add wash load.

■ Cleaning the water inlet filter

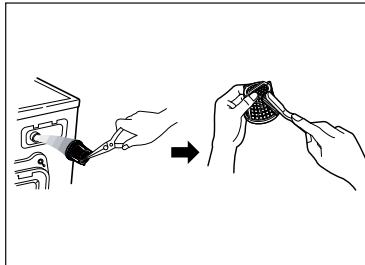
- "IE" error message will blink on the control panel when water does not enter the detergent drawer.
- If your water is very hard or contains traces of lime deposit, the water inlet filter may become clogged.
- It is therefore a good idea to clean it from time to time.



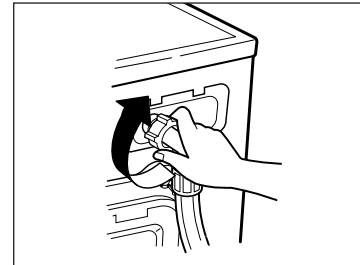
1. Turn off the water tap.



2. Unscrew the water inlet hose.



3. Clean the filter using a had bristle brush.



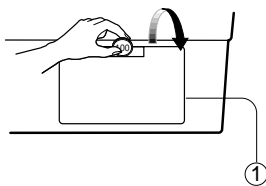
4. Tighten up the inlet hose.

■ Cleaning the drain pump filter

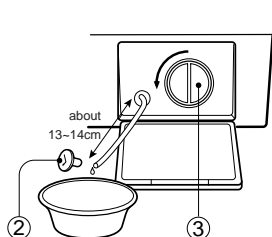
- The drain filter collects threads and small objects left in the laundry.
- Check regularly that the filter is clean to ensure smooth running of your machine.

CAUTION Be careful when draining if the water is hot.

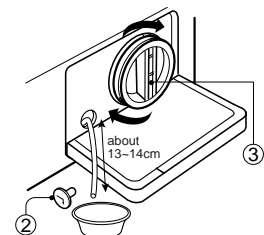
1. Open the lower cover(①) by using a coin. Turn the cap hose(②) to pull out the hose. Pull out the hose maximally. (About 13~14cm.)



2. Unplug the cap hose(②), allowing the water to flow out. At this time use a vessel to prevent water flowing on to the floor. When water does not flow any more, turn the pump filter(③) open to the left.

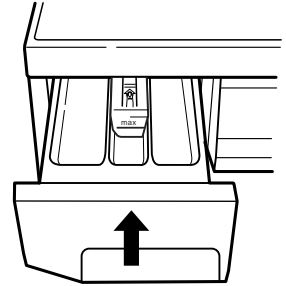
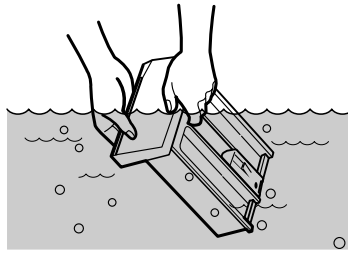
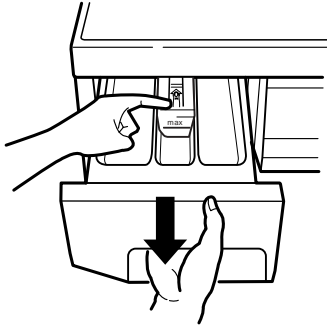


3. Remove any foreign material from the pump filter(③). After cleaning, turn the pump filter clockwise and insert the cap hose(②) to the original place. Close the lower cover.



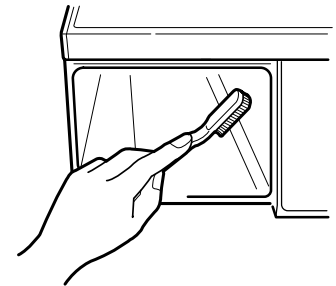
■ Cleaning the detergent case

- ✳ After a while detergents and fabric softeners leave a deposit in the detergent case.
- It should be cleaned from time to time with a jet of running water.
- If necessary it can be removed completely from the machine by pressing the catch downwards and by pulling it out.
- To facilitate cleaning, the upper part of the fabric softener compartment can be removed.



Inlet box recess

- ✳ Detergent can also accumulate inside the recess which should be cleaned occasionally with an old toothbrush.
- Once you have finished cleaning, replace the detergent case and run a rinse cycle without laundry.



■ Cleaning the washing drum

- If you live in a hard water area, limescale may continuously build up in places where it cannot be seen and thus not easily removed.
- Over time the build up of scale clogs appliances, and if it is not kept in check these may have to be replaced.
- Although the washing drum is made of stainless steel, specks of rust can be caused by small metal articles (paper clips, safety pins) which have been left in the drum.
- The washing drum should be cleaned from time to time.
- If you use descaling agents, dyes or bleaches, make sure they are suitable for washing machine use.
- ✳ Descaler may contain chemicals that may damage part of your washing machine.
- ✳ Remove any spots with a stainless steel cleaning agent.
- ✳ Never use steel wool.

4. DIRECTION FOR DISASSEMBLY

DOOR LOCK SWITCH

1) Open the door and remove the gasket clamp.



2) Remove the gasket from the front cabinet.



3) Remove two screws, and remove the door lock switch.



HEATER AND THERMISTOR

1) Remove five screws on the COVER B and separate the COVER B from washing machine.



2) Remove the connectors of the HEATER.



3) Remove the nut using the 10mm hex wrench and remove the earth terminal from the HEATER.



4) Loosen the nut of the HEATER and pull out the HEATER.



BLDC MOTOR

1) Remove the nut using the 17mm hex wrench.



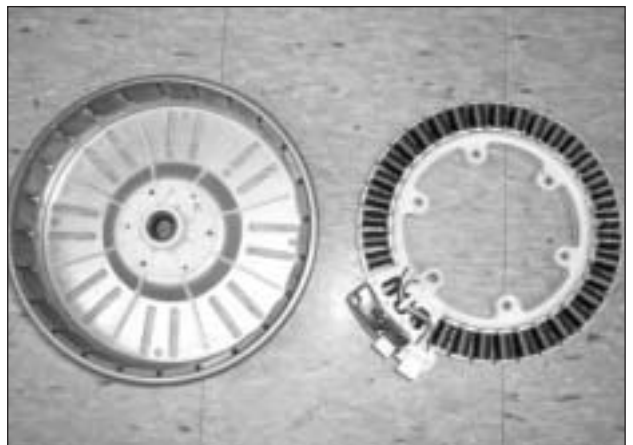
2) Pull out the ROTOR.



3) Remove six screws using the 10mm hex wrench and connectors from the STATOR.



4) Separate the STATOR from the TUB.



DRAIN PUMP

1) Lay the right side of the washer on the floor, and remove the lower panel by pressing six sanp fits.



2) Remove connectors.



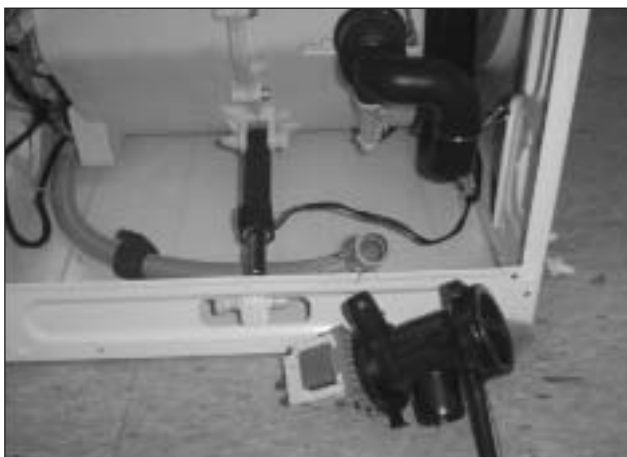
3) Remove the screw, and remove the drain pump from the lower frame.



4) Remove the drain hose.

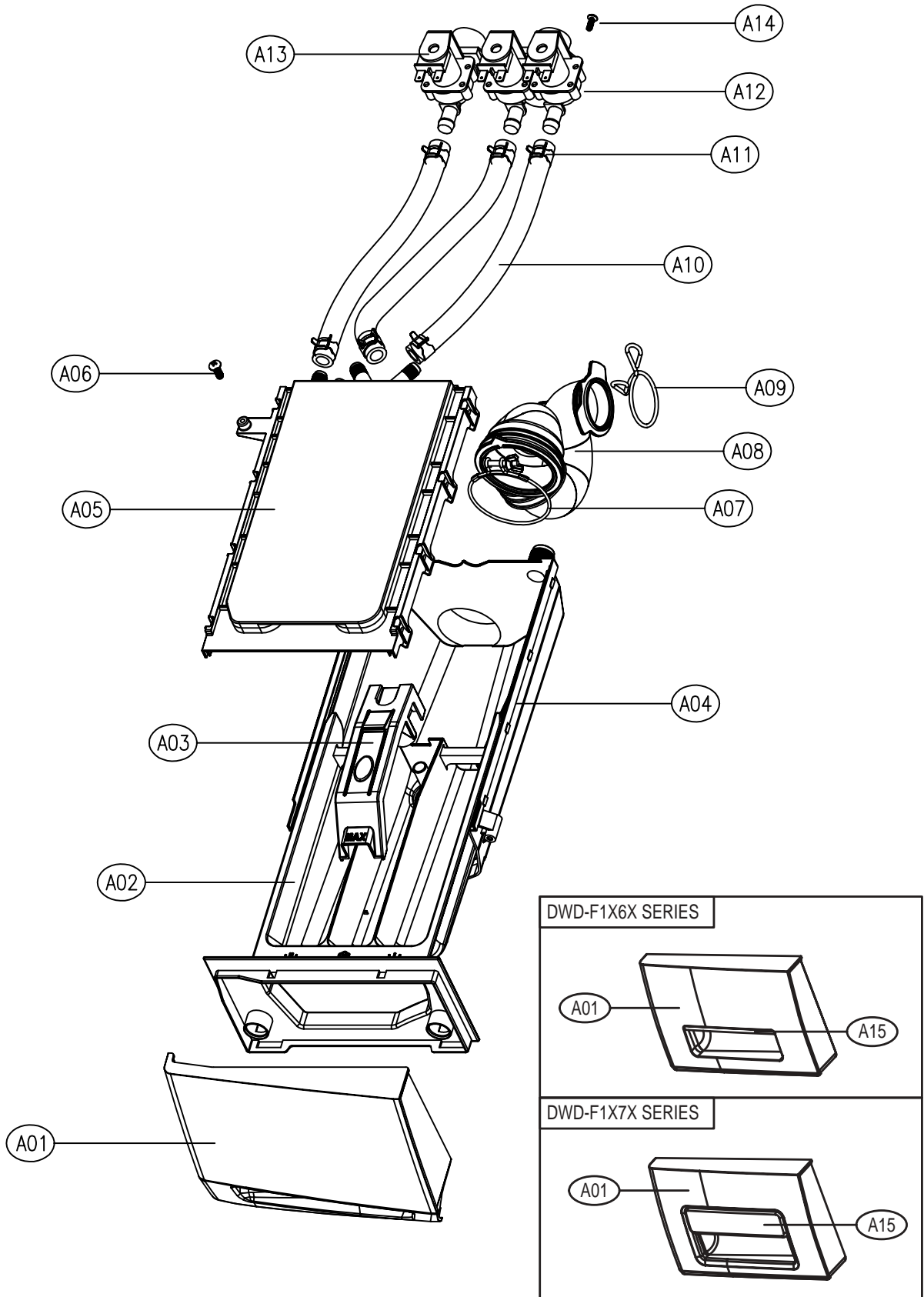


5) Remove the inner drain hose, and remove the drain pump.



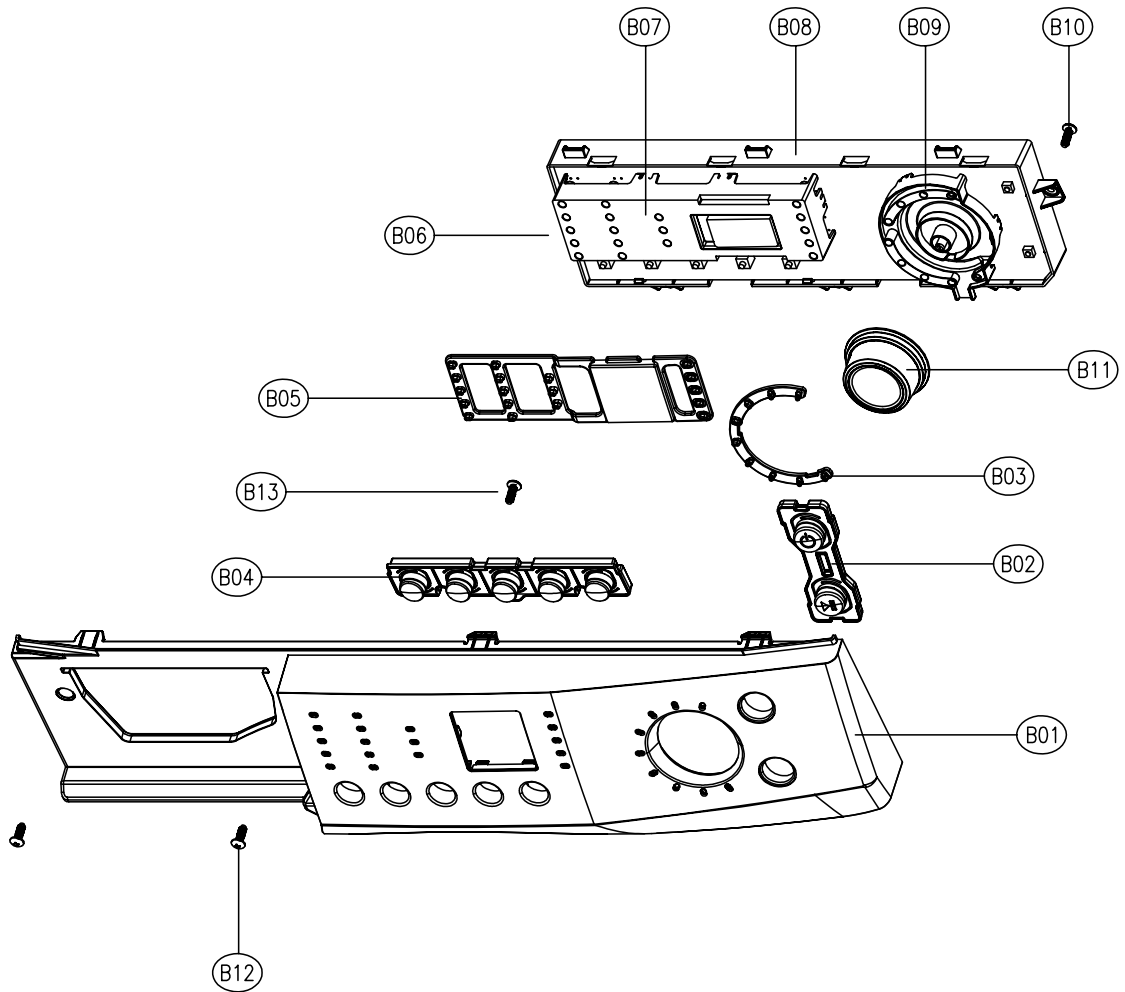
5. EXPLODE VIEW AND PARTS LIST

■ BOX INLET AS



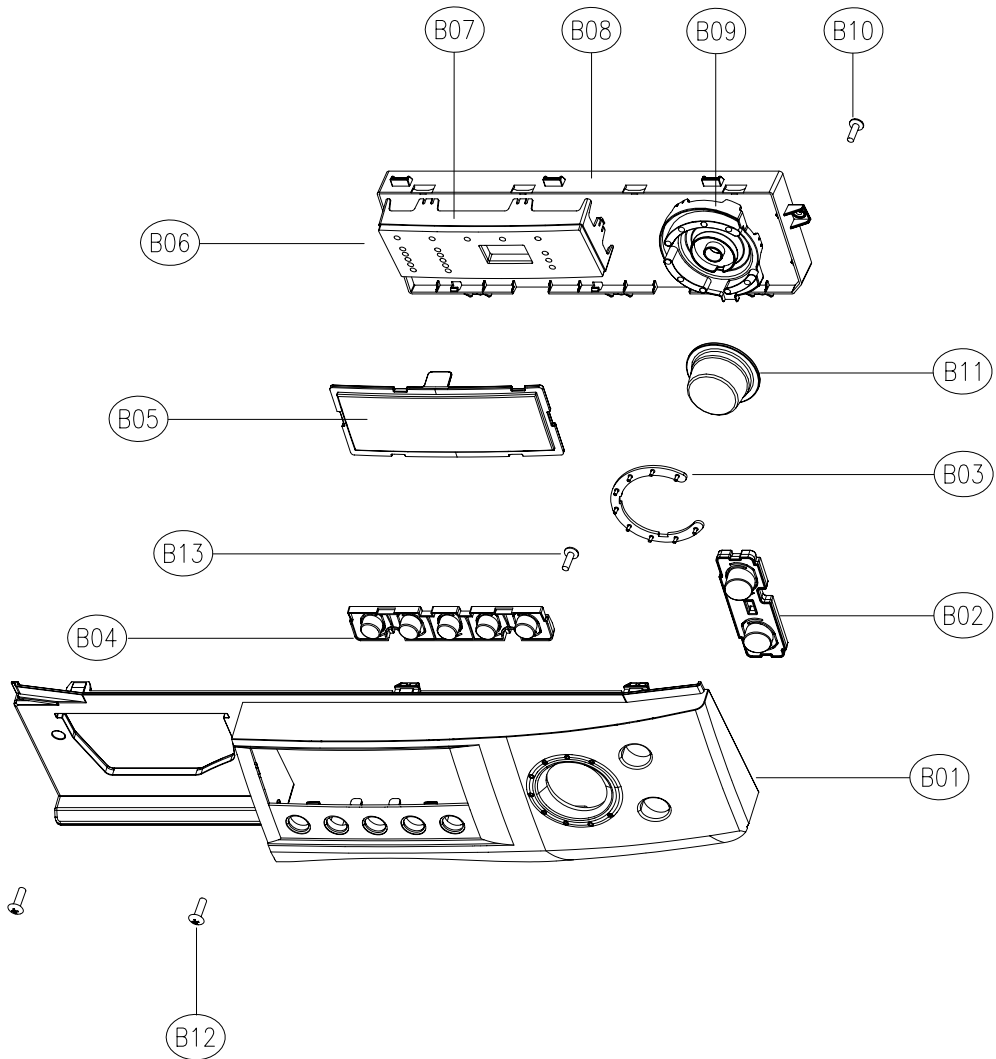
No.	PART NAME	PART CODE	SPECIFICATION	Q'TY	REMARK
A01	HANDLE CASE (CASE HANDLE)	3612608700	ABS	1	DWD-F1X11(2)
		3612608710	ABS + SPRAY		DWD-F1X13
		3612608900	ABS		DWD-F1X21(2)
		3612608910	ABS + SPRAY		DWD-F1X23
		3612609700	ABS		DWD-F1X31(2)
		3612609710	ABS + SPRAY		DWD-F1X33
		3611148000	HIPS, D-FU124'S		DWD-F1X41(2)
					DWD-F1X51(2)
		3611148001	ABS + SPRAY		DWD-F1X43
					DWD-F1X53
		3611149500	D-F'SERIES 6TH, ABS		DWD-F1X61(2)
		3611149510	ABS + SPRAY		DWD-F1X63
		3611149600	D-F'SERIES 7TH , ABS		DWD-F1X71(2)
3611149610	ABS + SPRAY	DWD-F1X73			
A02	CASE DETERGENT	3611140300	PP	1	
A03	CAP SOFTENER	3610916600	PP	1	
A04	BOX INLET	3610526500	PP	1	
A05	NOZZLE AS	3618103510	NOZZLE TOP + NOZZLE UNDER	1	COLD
		3618103500			COLD+HOT
A06	SCREW TAPPING	7122402011	T2S TRS 4x20 MFZN	1	
A07	CLAMP AS	3611203200	ID=60,WIRE+GUIDE+BOLT+NUT	1	
A08	HOSE INLET	3613267200	EPDM U-TRAP	1	
A09	CLAMP HOSE I	3611201400	HSW3, D2.6, MFZN, ID=38	1	
A10	HOSE WATER SUPPLY	3613270900	EPDM, ID9.5, OD14.5, L=225	2(3)	COLD(+HOT)
A11	CLAMP HOSE	3611205800	100H, ID=13.8 W=10.0 0.9T	4(6)	COLD(+HOT)
A12	VALVE INET	3615414900	220-240V 2-WAY PP/BRACKET	1	COLD VALVE
		3615414910	220-240V 2WAY NYLON VDE		
		3615416821	220-240V.VDE.BITRON.2WAY + DR TECH		COLD VALVE(EU)
A13	VALVE INLET	3615414800	220-240V,50/60Hz,1WAY	1	HOT VALVE
		3615416720	220-240 50/60-1WAY,HOT,BITRON,VDE		HOT VALVE(EU)
A14	SCREW TAPTITE	7272400811	TT3 TRS 4X8 MFZN	2(4)	COLD(+HOT)
A15	DECO CASE HANDLE	3611698000	D-F'SERIES 6TH ,ABS	1	DWD-F1X6X
		3611698400	D-F'SERIES 7TH , ABS		DWD-F1X7X

■ PANEL FRONT AS (DWD-FD141X SERIES)



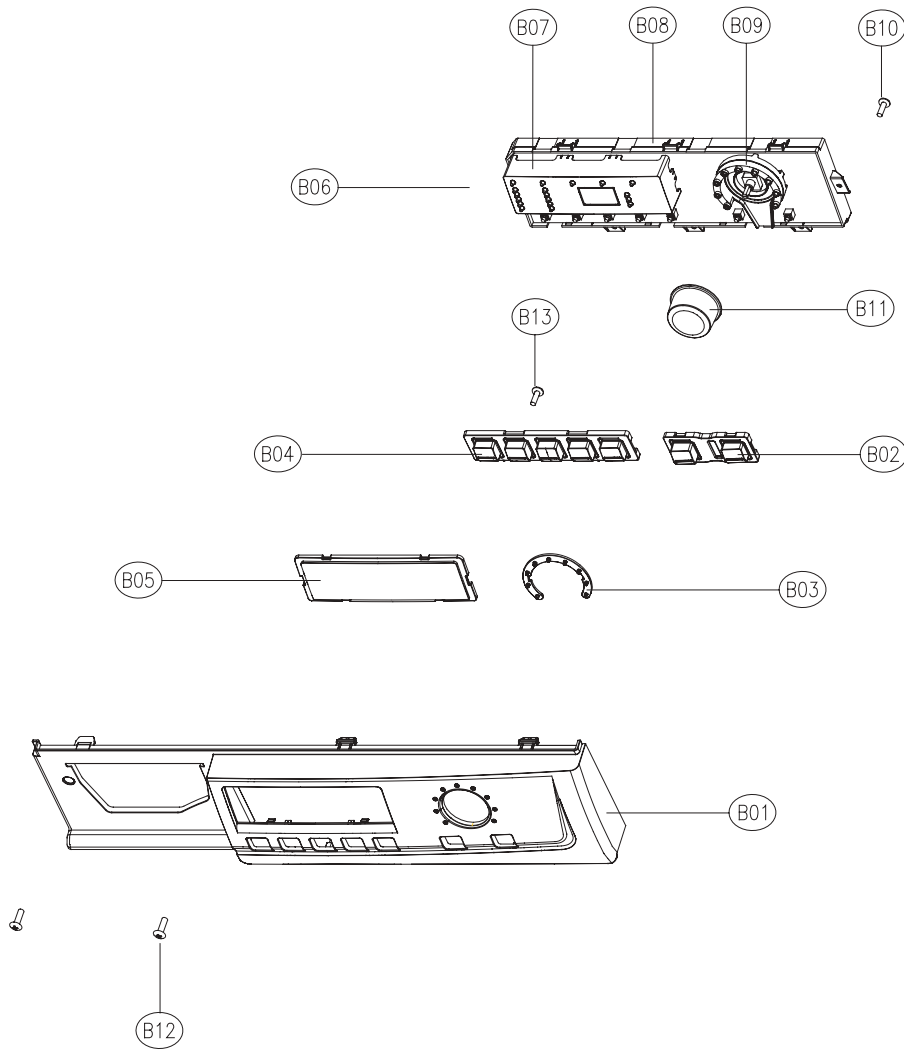
No.	PART NAME	PART CODE	SPECIFICATION	Q'TY	REMARK
B01	PANEL *F	3814282702	HIPS	1	DWD-FD1411(2)
		3814282710	SILVER SPRAY		DWD-FD1413
B02	BUTTON POWER	3616603600	ABS	1	DWD-FD1411
		3616603620	ABS + AL COATING		DWD-FD1412(3)
B03	WINDOW DIAL	3615503100	ABS-TR	1	
B04	BUTTON SELECT	3616603500	ABS	1	DWD-FD1411
		3616603520	ABS + AL COATING		DWD-FD1412(3)
B05	WINDOW DISPLAY AS	3615503020	ABS-TR + STICKER	1	
B06	PCB AS	PRPSSWFJ--	DWD-FD14'S, DONGSUH MOTOR	1	Refer to Detailed Part Code of PCB AS
		PRPSSWFL--	DWD-FD14'S, NEWMOTECH MOTOR	1	
B07	HOLDER LED	3613049600	ABS	1	
B08	CASE PCB	3611143100	HIPS	1	
B09	HOLDER DIAL	3613049700	ABS	1	
B10	SCREW TAPPING	7122401611	T2S TRS 4x16 MFZN	4	
B11	KNOB DIAL AS	3613405000	ABS	1	DWD-FD1411(2)
		3613405010	SPRAY		DWD-FD1413
B12	SCREW TAPPING	7122401608	T2S TRS 4x16 SUS	2	
B13	SCREW TAPPING	7122401211	T2S TRS 4x12 MFZN	2	

■ PANEL FRONT AS (DWD-FD142X SERIES)



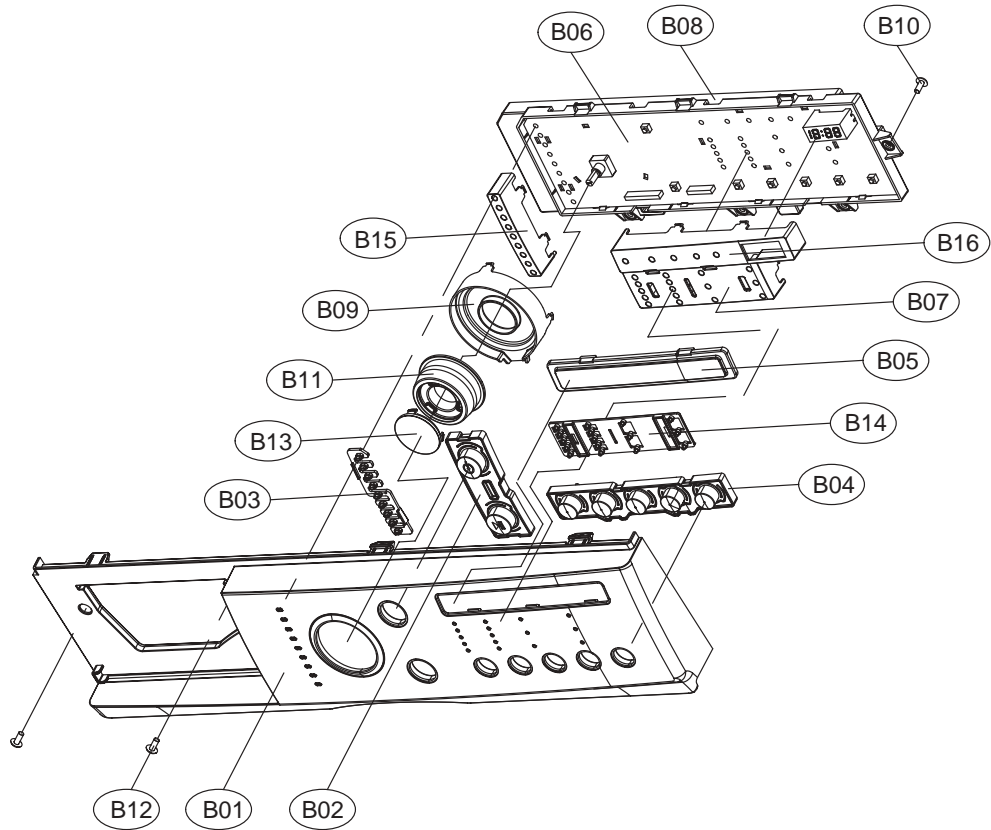
No.	PART NAME	PART CODE	SPECIFICATION	Q'TY	REMARK
B01	PANEL *F	3614284502	HIPS	1	DWD-FD1421(2)
		3614284510	SILVER SPRAY		DWD-FD1423
B02	BUTTON POWER	3616604200	ABS	1	DWD-FD1421
		3616604210	ABS+AL COATING		DWD-FD1422(3)
B03	WINDOW DIAL	3615503400	ABS	1	
B04	BUTTON SELECT	3616604100	ABS	1	DWD-FD1421
		3616604110	ABS+AL COATING	1	DWD-FD1422(3)
B05	WINDOW LED	3615503300	ABS	1	
B06	PCB AS	PRPSSWFJ--	DWD-FD14'S, DONGSUH MOTOR	1	Refer to Detailed Part
		PRPSSWFL--	DWD-FD14'S, NEWMOTECH MOTOR	1	Code of PCB AS
B07	HOLDER LED	3613050500	ABS	1	
B08	CASE PCB	3611140200	HIPS	1	
B09	HOLDER DIAL	3613050600	ABS	1	
B10	SCREW TAPPING	7122401611	T2S TRS 4x16 MFZN	4	
B11	KNOB DIAL	3613405110	ABS+SPRAY	1	
B12	SCREW TAPPING	7122401608	T2S TRS 4x16 SUS	2	
B13	SCREW TAPPING	7122401211	T2S TRS 4x12 MFZN	2	

■ PANEL FRONT AS (DWD-FD143X SERIES)



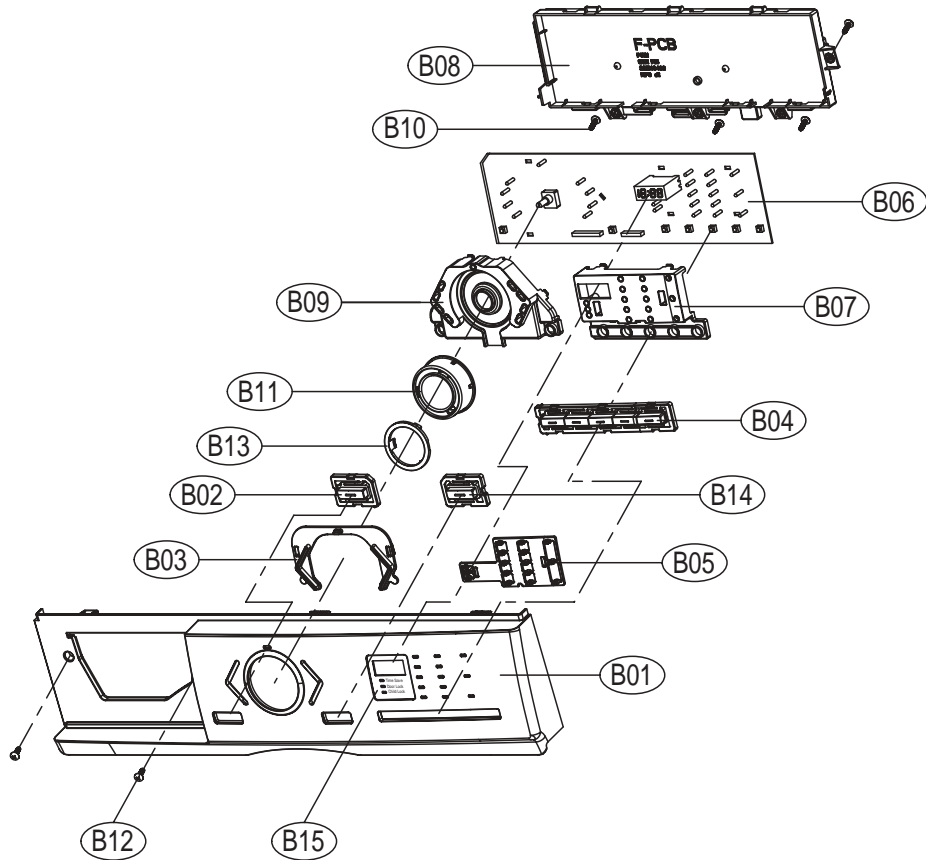
No.	PART NAME	PART CODE	SPECIFICATION	Q'TY	REMARK
B01	PANEL *F	3614285802	HIPS	1	DWD-FD1431(2)
		3614285810	ABS + SPRAY		DWD-FD1433
B02	BUTTON POWER	3616635300	ABS	1	DWD-FD1431
		3616635310	ABS + SPRAY		DWD-FD1432(3)
B03	WINDOW DIAL	3615504200	ABS-TR	1	
B04	BUTTON SELECT	3616635400	ABS	1	DWD-FD1431
		3616635410	ABS + SPRAY		DWD-FD1432(3)
B05	WINDOW DISPLAY	3615504300	ABS-TR	1	
B06	PCB AS	PRPSSWFJ--	DWD-FD14'S, DONGSUH MOTOR	1	Refer to Detailed Part Code of PCB AS
		PRPSSWFL--	DWD-FD14'S, NEWMOTECH MOTOR	1	
B07	HOLDER DISPLAY	3613051700	HIPS	1	
B08	CASE PCB	3611143200	HIPS	1	
B09	HOLDER DIAL	3613051500	HIPS	1	
B10	SCREW TAPPING	7122401611	T2S TRS 4x16 MFZN	4	
B11	KNOB DIAL	3613405210	ABS+SPRAY	1	
B12	SCREW TAPPING	7122401608	T2S TRS 4x16 SUS	2	
B13	SCREW TAPPING	7122401211	T2S TRS 4x12 MFZN	2	

■ PANEL FRONT AS (DWD-FD144X SERIES)



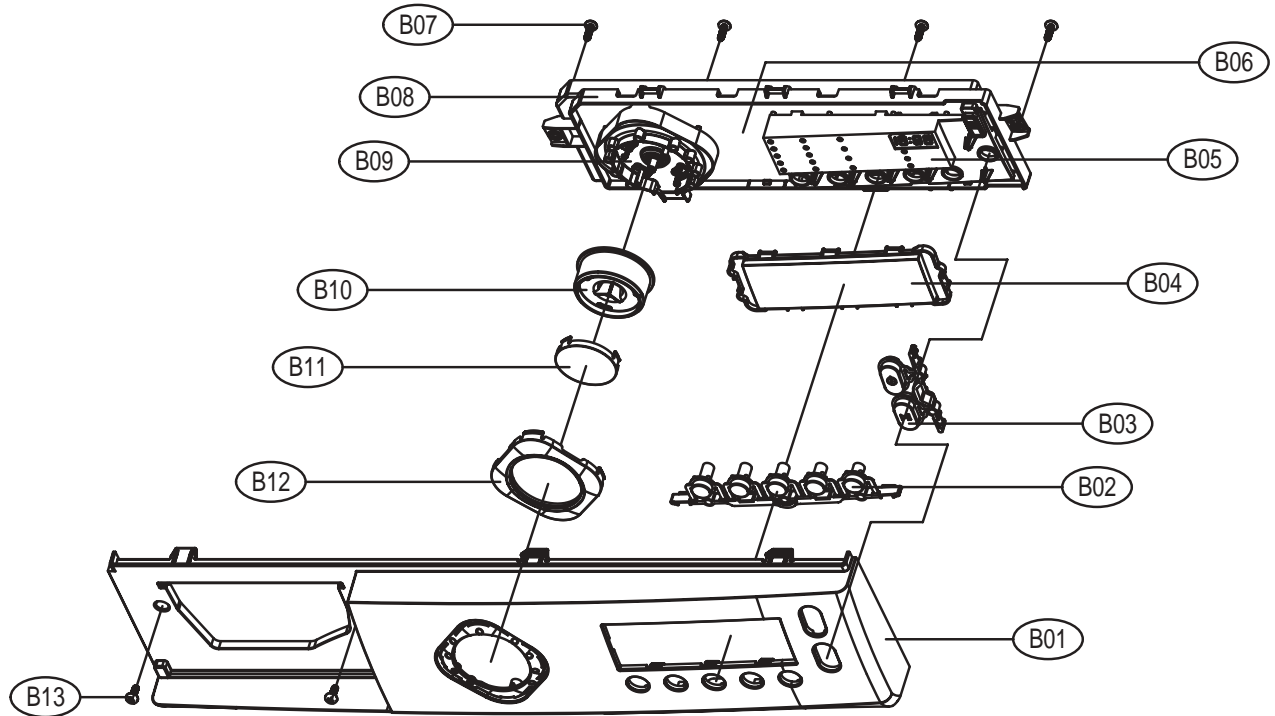
No.	PART NAME	PART CODE	SPECIFICATION	Q'TY	REMARK
B01	PANEL *F	36142T1500	HIPS	1	DWD-FD1441(2)
		36142T1501	ABS + SPRAY		DWD-FD1443
B02	BUTTON POWER	3616639100	ABS	1	DWD-FD1441
		3616639110	ABS + SPRAY		DWD-FD1442(3)
B03	WINDOW COURSE	3615507000	ABS-TR	1	
B04	BUTTON SELECTION	3616639000	ABS	1	DWD-FD1441
		3616639010	ABS + SPRAY		DWD-FD1442(3)
B05	WINDOW DISPLAY	3615506800	ABS-TR	1	
B06	PCB AS	PRPSSWFJ--	DWD-FD14'S, DONGSUH MOTOR	1	Refer to Detailed Part Code of PCB AS
		PRPSSWFL--	DWD-FD14'S, NEWMOTECH MOTOR	1	
B07	HOLDER LED SELECTION	3613055300	HIPS	1	
B08	CASE PCB	36111T1500	HIPS	1	
B09	HOLDER DIAL	3613055500	HIPS	1	
B10	SCREW TAPPING	7122401611	T2S TRS 4x16 MFZN	4	
B11	KNOB DIAL OUTER	3613406600	ABS	1	DWD-FD1441
		3613406610	ABS + SPRAY		DWD-FD1442(3)
B12	SCREW TAPPING	7122401608	T2S TRS 4x16 SUS	2	
B13	KNOB DIAL *INNER	3613406700	ABS	1	DWD-FD1441
B14	WINDOW SELECTION	3615506900	ABS-TR	1	
B15	HOLDER LED COURSE	3613055400	HIPS	1	
B16	DECORATOR WINDOW	3611689900	PC FILM	1	

■ PANEL FRONT AS (DWD-FD145X SERIES)



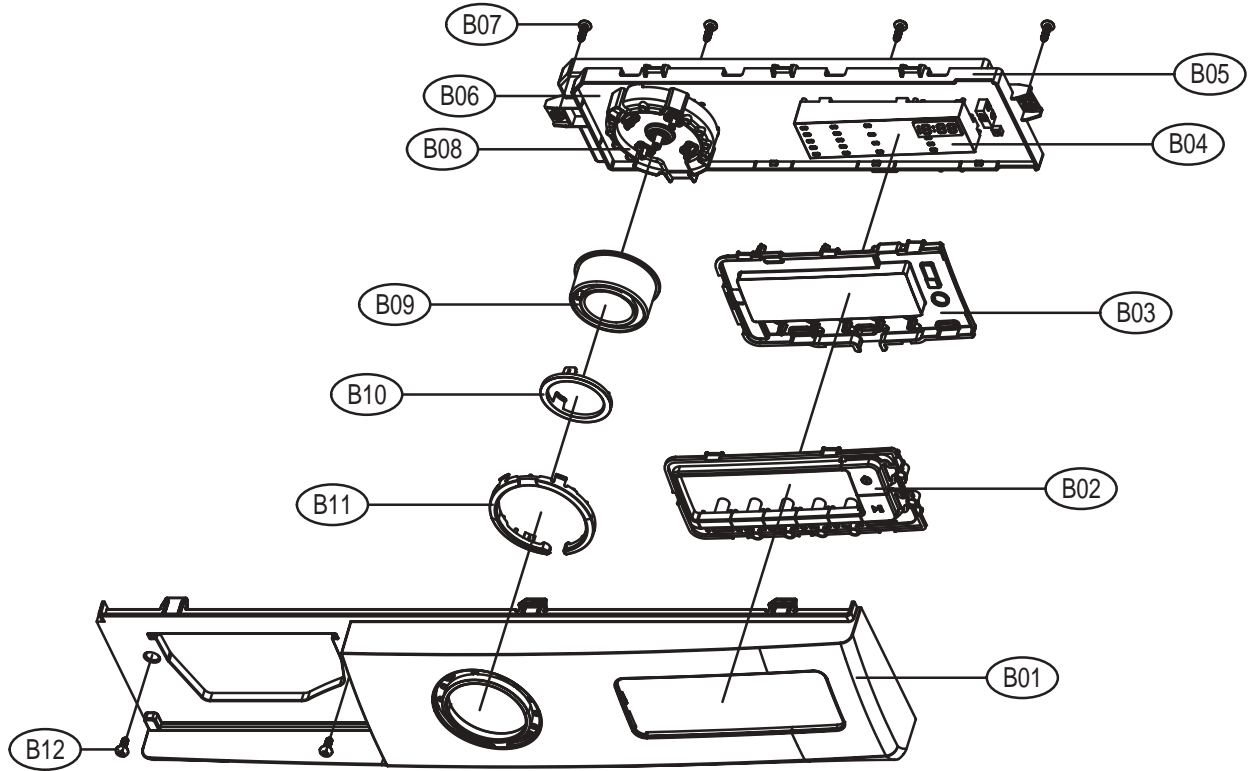
No.	PART NAME	PART CODE	SPECIFICATION	Q'TY	REMARK
B01	PANEL F	3614290100	HIPS, D-FU125'S	1	DWD-FD1451(2)
		3614290110	ABS D-FU1253'S		DWD-FD1453
B02	BUTTON POWER	3616644900	ABS	1	DWD-FD1451(2)
		3616644910	ABS + SPRAY		DWD-FD1453
B03	WINDOW COURSE	3615509500	ABS-TR	1	DWD-FD145X
B04	BUTTON FUNCTION	3616645100	ABS	1	DWD-FD1451(2)
		3616645110	ABS + SPRAY		DWD-FD1453
B05	WINDOW SELECTION	3615509600	ABS-TR	1	DWD-FD145X
B06	PCB AS	PRPSSWFJ--	DWD-FD14'S, DONGSUH MOTOR	1	Refer to Detailed Part Code of PCB AS
		PRPSSWFL--	DWD-FD14'S, NEWMOTECH MOTOR	1	
B07	HOLDER LED FUNCTION	3613058800	HIPS	1	DWD-FD145X
B08	CASE PCB	3611149400	HIPS	1	DWD-FD145X
B09	HOLDER LED COURSE	3613058700	HIPS	1	DWD-FD145X
B10	SCREW TAPPING	7122401611	T2S TRS 4x16 MFZN	4	
B11	BUTTON DIAL	3616644800	ABS	1	DWD-FD1451(2)
		3616644810	ABS + SPRAY		DWD-FD1453
B12	SCREW TAPPING	7122401608	T2S TRS 4x16 SUS	2	
B13	DECORATOR BUTTON DIAL	3611696400	ABS, GILDING	1	DWD-FD145X
B14	BUTTON START	3616645000	ABS	1	DWD-FD1451(2)
		3616645010	ABS + SPRAY		DWD-FD1453
B15	DECORATOR FILM	3611689900	P.C FILM	1	DWD-FD145X

■ PANEL FRONT AS (DWD-F146X SERIES)



No.	PART NAME	PART CODE	SPECIFICATION	Q'TY	REMARK
B01	PANEL F	36142T3000	D-F'SERIES 6TH , ABS	1	DWD-FD1461(2)
		36142T3010	D-F'SERIES 6TH , ABS+ SPRAY		DWD-FD1463
B02	BUTTON SELECT	3616645800	D-F'SERIES 6TH , ABS	1	DWD-FD1461(2)
		3616645810	D-F'SERIES 6TH , ABS+ SPRAY		DWD-FD1463
B03	BUTTON POWER	3616645900	D-F'SERIES 6TH , ABS	1	DWD-FD1461(2)
		3616645910	D-F'SERIES 6TH , ABS+ SPRAY		DWD-FD1463
B04	WINDOW DISPLAY	3615510300	D-F'SERIES 6TH , TR ABS	1	DWD-FD146X
B05	HOLDER LED	3613061900	D-F'SERIES 6TH , HIPS	1	DWD-FD146X
B06	PCB AS	PRPSSWFK--	DWD-FD146X SERIES	1	Refer to Detailed Part Code of PCB AS
B07	SCREW TAPPING	7122401611	T2S TRS 4x16 MFZN	4	
B08	CASE PCB	3611149700	D-F'SERIES 6TH / 7TH , HIPS	1	DWD-FD146(7)X
B09	HOLDER LED COURSE	3613061800	D-F'SERIES 6TH , HIPS	1	DWD-FD146X
B10	BUTTON DIAL	3616645700	D-F'SERIES 6TH , ABS	1	DWD-FD1461(2)
		3616645710	D-F'SERIES 6TH , ABS+ SPRAY		DWD-FD1463
B11	DECO BUTTON DIAL	3611698100	D-F'SERIES 6TH , ABS	1	DWD-FD146X
B12	WINDOW COURSE	3615510400	D-F'SERIES 6TH , TR ABS	1	DWD-FD146X
B13	SCREW TAPPING	7122401608	T2S TRS 4x16 SUS	2	

■ PANEL FRONT AS (DWD-F147X SERIES)



No.	PART NAME	PART CODE	SPECIFICATION	Q'TY	REMARK
B01	PANEL F	36142T3100	D-F'SERIES 7TH , ABS	1	DWD-FD1471(2)
		36142T3110	D-F'SERIES 7TH , ABS+ SPRAY		DWD-FD1473
B02	BUTTON SELECT	3616646100	D-F'SERIES 7TH , ABS(SPRAY)	1	DWD-FD147X
B03	WINDOW DISPLAY	3615510500	D-F'SERIES 7TH , TR ABS	1	DWD-FD147X
B04	HOLDER LED(FUNCTION)	3613062200	D-F'SERIES 7TH ,HIPS	1	DWD-FD147X
B05	CASE PCB	3611149700	D-F'SERIES 6TH / 7TH, HIPS	1	DWD-FD146(7)X
B06	PCB AS	PRPSSWFK--	DWD-FD147X SERIES	1	Refer to Detailed Part Code of PCB AS
B07	SCREW TAPPING	7122401611	T2S TRS 4x16 MFZN	4	
B08	HOLDER LED COURSE	3613062100	D-F'SERIES 7TH , HIPS	1	DWD-FD147X
B09	BUTTON DIAL	3616646000	D-F'SERIES 7TH . ABS	1	DWD-FD1471(2)
		3616646010	D-F'SERIES 7TH . ABS+ SPRAY		DWD-FD1473
B10	DECO KNOB DIAL	3611696400	L-SERIES 2ND,ABS,SPIN	1	DWD-FD147X
B11	WINDOW COURSE	3615510600	D-F'SERIES 7TH , TR ABS	1	DWD-FD147X
B12	SCREW TAPPING	7122401608	T2S TRS 4x16 SUS	2	

■ Detailed Part Code of PCB AS (DONGSUH)

PART CODE	SPECIFICATION	Q'TY	REMARK
PRPSSWFJA1	RENE, INFI, NON-EC, HOT,COLD, BUBBLE, 1W, D/M	1	1st PANEL (DWD- FD141X SERIES)
PRPSSWFJA2	RENE, INFI, NON-EC, HOT,COLD, NON-BUBBLE, 1W, D/M		
PRPSSWFJA3	RENE, INFI, NON-EC, COLD, BUBBLE, 1W, D/M		
PRPSSWFJA4	RENE, INFI, NON-EC, COLD, NON-BUBBLE, 1W, D/M		
PRPSSWFJA5	RENE, INFI, EC, HOT,COLD, BUBBLE, 1W, D/M		
PRPSSWFJA6	RENE, INFI, EC, HOT,COLD, NON-BUBBLE, 1W, D/M		
PRPSSWFJA7	RENE, INFI, EC, COLD, BUBBLE, 1W, D/M		
PRPSSWFJA8	RENE, INFI, EC, COLD, NON-BUBBLE, 1W, D/M		
PRPSSWFJAA	RENE, INFI, NON-EC, HOT,COLD, BUBBLE, NON-1W		
PRPSSWFJAB	RENE, INFI, NON-EC, HOT,COLD, NON-BUBBLE, NON-1W		
PRPSSWFJAC	RENE, INFI, NON-EC, COLD, BUBBLE, NON-1W, D/M		
PRPSSWFJAD	RENE, INFI, NON-EC, COLD, NON-BUBBLE, NON-1W, D/M		
PRPSSWFJAE	RENE, INFI, EC, HOT,COLD, BUBBLE, NON-1W, D/M		
PRPSSWFJAF	RENE, INFI, EC, HOT,COLD, NON-BUBBLE, NON-1W, D/M		
PRPSSWFJAG	RENE, INFI, EC, COLD, BUBBLE, NON-1W, D/M		
PRPSSWFJAH	RENE, INFI, EC, COLD, NON-BUBBLE, NON-1W, D/M		
PRPSSWFJB1	RENE, INFI, NON-EC, HOT,COLD, BUBBLE, 1W, D/M		2nd PANEL (DWD- FD142X SERIES)
PRPSSWFJB2	RENE, INFI, NON-EC, HOT,COLD, NON-BUBBLE, 1W, D/M		
PRPSSWFJB3	RENE, INFI, NON-EC OPTION, COLD OPTION, BUBBLE OPTION, 1W, D/M		
PRPSSWFJB4	RENE, INFI, NON-EC, COLD, NON-BUBBLE, 1W, D/M		
PRPSSWFJB5	RENE, INFI, EC, HOT,COLD, BUBBLE, 1W, D/M		
PRPSSWFJB6	RENE, INFI, EC, HOT,COLD, NON-BUBBLE, 1W, D/M		
PRPSSWFJB7	RENE, INFI, EC, COLD, BUBBLE, 1W, D/M		
PRPSSWFJB8	RENE, INFI, EC, COLD, NON-BUBBLE, 1W, D/M		
PRPSSWFJBA	RENE, INFI, NON-EC, HOT,COLD, BUBBLE, NON-1W, D/M		
PRPSSWFJBB	RENE, INFI, NON-EC, HOT,COLD, NON-BUBBLE, NON-1W, D/M		
PRPSSWFJBC	RENE, INFI, NON-EC OPTION, COLD OPTION, BUBBLE OPTION, NON-1W, D/M		
PRPSSWFJBD	RENE, INFI, NON-EC, COLD, NON-BUBBLE, NON-1W, D/M		
PRPSSWFJBE	RENE, INFI, EC, HOT,COLD, BUBBLE, NON-1W, D/M		
PRPSSWFJBF	RENE, INFI, EC, HOT,COLD, NON-BUBBLE, NON-1W, D/M		
PRPSSWFJBG	RENE, INFI, EC, COLD, BUBBLE, NON-1W, D/M		
PRPSSWFJBH	RENE, INFI, EC, COLD, NON-BUBBLE, NON-1W, D/M		
PRPSSWFJC1	RENE, INFI, NON-EC, HOT,COLD, BUBBLE, 1W, D/M		3rd PANEL (DWD- FD143X SERIES)
PRPSSWFJC2	RENE, INFI, NON-EC, HOT,COLD, NON-BUBBLE, 1W, D/M		
PRPSSWFJC3	RENE, INFI, NON-EC OPTION, COLD OPTION, BUBBLE OPTION, 1W, D/M		
PRPSSWFJC4	RENE, INFI, NON-EC, COLD, NON-BUBBLE, 1W, D/M		
PRPSSWFJC5	RENE, INFI, EC, HOT,COLD, BUBBLE, 1W, D/M		
PRPSSWFJC6	RENE, INFI, EC, HOT,COLD, NON-BUBBLE, 1W, D/M		
PRPSSWFJC7	RENE, INFI, EC, COLD, BUBBLE, 1W, D/M		
PRPSSWFJC8	RENE, INFI, EC, COLD, NON-BUBBLE, 1W, D/M		
PRPSSWFJCA	RENE, INFI, NON-EC, HOT,COLD, BUBBLE, NON-1W, D/M		
PRPSSWFJCB	RENE, INFI, NON-EC, HOT,COLD, NON-BUBBLE, NON-1W, D/M		
PRPSSWFJCC	RENE, INFI, NON-EC OPTION, COLD OPTION, BUBBLE OPTION, NON-1W, D/M		
PRPSSWFJCD	RENE, INFI, NON-EC, COLD, NON-BUBBLE, NON-1W, D/M		
PRPSSWFJCE	RENE, INFI, EC, HOT,COLD, BUBBLE, NON-1W, D/M		
PRPSSWFJCF	RENE, INFI, EC, HOT,COLD, NON-BUBBLE, NON-1W, D/M		
PRPSSWFJCG	RENE, INFI, EC, COLD, BUBBLE, NON-1W, D/M		
PRPSSWFJCH	RENE, INFI, EC, COLD, NON-BUBBLE, NON-1W, D/M		

PART CODE	SPECIFICATION	Q'TY	REMARK	
PRPSSWFJD1	RENE, INFI, NON-EC, HOT,COLD, BUBBLE, 1W, D/M	1	4th PANEL (DWD- FD144X SERIES)	
PRPSSWFJD2	RENE, INFI, NON-EC, HOT,COLD, NON-BUBBLE, 1W, D/M			
PRPSSWFJD3	RENE, INFI, NON-EC OPTION, COLD OPTION, BUBBLE OPTION, 1W, D/M			
PRPSSWFJD4	RENE, INFI, NON-EC, COLD, NON-BUBBLE, 1W, D/M			
PRPSSWFJD5	RENE, INFI, EC, HOT,COLD, BUBBLE, 1W, D/M			
PRPSSWFJD6	RENE, INFI, EC, HOT,COLD, NON-BUBBLE, 1W, D/M			
PRPSSWFJD7	RENE, INFI, EC, COLD, BUBBLE, 1W, D/M			
PRPSSWFJD8	RENE, INFI, EC, COLD, NON-BUBBLE, 1W, D/M			
PRPSSWFJDA	RENE, INFI, NON-EC, HOT,COLD, BUBBLE, NON-1W, D/M			
PRPSSWFJDB	RENE, INFI, NON-EC, HOT,COLD, NON-BUBBLE, NON-1W, D/M			
PRPSSWFJDC	RENE, INFI, NON-EC OPTION, COLD OPTION, BUBBLE OPTION, NON-1W, D/M			
PRPSSWFJDD	RENE, INFI, NON-EC, COLD, NON-BUBBLE, NON-1W, D/M			
PRPSSWFJDE	RENE, INFI, EC, HOT,COLD, BUBBLE, NON-1W, D/M			
PRPSSWFJDF	RENE, INFI, EC, HOT,COLD, NON-BUBBLE, NON-1W, D/M			
PRPSSWFJDG	RENE, INFI, EC, COLD, BUBBLE, NON-1W, D/M			
PRPSSWFJDH	RENE, INFI, EC, COLD, NON-BUBBLE, NON-1W, D/M			
PRPSSWFJF1	RENE, INFI, NON-EC OPTION, HOT,COLD OPTION, BUBBLE OPTION, 1W, D/M			5th PANEL (DWD- FD145X SERIES)
PRPSSWFJF2	RENE, INFI, NON-EC OPTION, HOT,COLD OPTION, NON-BUBBLE OPTION, 1W, D/M			
PRPSSWFJF3	RENE, INFI, NON-EC OPTION, COLD OPTION, BUBBLE OPTION, 1W, D/M			
PRPSSWFJF4	RENE, INFI, NON-EC OPTION, COLD OPTION, NON-BUBBLE OPTION, 1W, D/M			
PRPSSWFJF5	RENE, INFI, EC OPTION, HOT,COLD OPTION, BUBBLE OPTION, 1W, D/M			
PRPSSWFJF6	RENE, INFI, EC OPTION, HOT,COLD OPTION, NON-BUBBLE OPTION, 1W, D/M			
PRPSSWFJF7	RENE, INFI, EC OPTION, COLD OPTION, BUBBLE OPTION, 1W, D/M			
PRPSSWFJF8	RENE, INFI, EC OPTION, COLD OPTION, NON-BUBBLE OPTION, 1W, D/M			
PRPSSWFJFA	RENE, INFI, NON-EC OPTION, HOT,COLD OPTION, BUBBLE OPTION, NON-1W, D/M			
PRPSSWFJFB	RENE, INFI, NON-EC OPTION, HOT,COLD OPTION, NON-BUBBLE OPTION, NON-1W, D/M			
PRPSSWFJFC	RENE, INFI, NON-EC OPTION, COLD OPTION, BUBBLE OPTION, NON-1W, D/M			
PRPSSWFJFD	RENE, INFI, NON-EC OPTION, COLD OPTION, NON-BUBBLE OPTION, NON-1W, D/M			
PRPSSWFJFE	RENE, INFI, EC OPTION, HOT,COLD OPTION, BUBBLE OPTION, 1W, NON-D/M			
PRPSSWFJFF	RENE, INFI, EC OPTION, HOT,COLD OPTION, NON-BUBBLE OPTION, NON-1W, D/M			
PRPSSWFJFG	RENE, INFI, EC OPTION, COLD OPTION, BUBBLE OPTION, NON-1W, D/M			
PRPSSWFJFH	RENE, INFI, EC OPTION, COLD OPTION, NON-BUBBLE OPTION, NON-1W, D/M			
PRPSSWFKG1	RENE, INFI, NON-EC, HOT,COLD, BUBBLE, 1W, D/M, ISLAMIC RINSE		6th PANEL (DWD- FD146X SERIES)	
PRPSSWFKG2	RENE, INFI, NON-EC, HOT,COLD, BUBBLE, 1W, D/M			
PRPSSWFKG3	RENE, INFI, NON-EC, HOT,COLD, NON-BUBBLE, 1W, D/M, ISLAMIC RINSE			
PRPSSWFKG4	RENE, INFI, NON-EC, HOT,COLD, NON-BUBBLE, 1W, D/M			
PRPSSWFKG5	RENE, INFI, NON-EC OPTION, COLD OPTION, BUBBLE OPTION, 1W, D/M, ISLAMIC RINSE			
PRPSSWFKG6	RENE, INFI, NON-EC OPTION, COLD OPTION, BUBBLE OPTION, 1W, D/M			
PRPSSWFKG7	RENE, INFI, NON-EC, COLD, NON-BUBBLE, 1W, D/M, ISLAMIC RINSE			
PRPSSWFKG8	RENE, INFI, NON-EC, COLD, NON-BUBBLE, 1W, D/M			
PRPSSWFKG9	RENE, INFI, EC, HOT,COLD, BUBBLE, 1W, D/M, ISLAMIC RINSE			
PRPSSWFKH0	RENE, INFI, EC, HOT,COLD, BUBBLE, 1W, D/M			
PRPSSWFKH1	RENE, INFI, EC, HOT,COLD, NON-BUBBLE, 1W, D/M, ISLAMIC RINSE			
PRPSSWFKH2	RENE, INFI, EC, HOT,COLD, NON-BUBBLE, 1W, D/M			
PRPSSWFKH3	RENE, INFI, EC, COLD, BUBBLE, 1W, D/M, ISLAMIC RINSE			
PRPSSWFKH4	RENE, INFI, EC, COLD, BUBBLE, 1W, D/M			
PRPSSWFKH5	RENE, INFI, EC, COLD, NON-BUBBLE, 1W, D/M, ISLAMIC RINSE			
PRPSSWFKH6	RENE, INFI, EC, COLD, NON-BUBBLE, 1W, D/M			
PRPSSWFKGA	RENE, INFI, NON-EC, HOT,COLD, BUBBLE, NON-1W, D/M, ISLAMIC RINSE			

PART CODE	SPECIFICATION	Q'TY	REMARK
PRPSSWFKGB	RENE, INFI, NON-EC, HOT,COLD, BUBBLE, NON-1W, D/M	1	6th PANEL (DWD- FD146X SERIES)
PRPSSWFKGC	RENE, INFI, NON-EC, HOT,COLD, NON-BUBBLE, NON-1W, D/M, ISLAMIC RINSE		
PRPSSWFKGD	RENE, INFI, NON-EC, HOT,COLD, NON-BUBBLE, NON-1W, D/M		
PRPSSWFKGE	RENE, INFI, NON-EC OPTION, COLD OPTION, BUBBLE OPTION, NON-1W, D/M, ISLAMIC RINSE		
PRPSSWFKGF	RENE, INFI, NON-EC OPTION, COLD OPTION, BUBBLE OPTION, NON-1W, D/M		
PRPSSWFKGG	RENE, INFI, NON-EC, COLD, NON-BUBBLE, NON-1W, D/M, ISLAMIC RINSE		
PRPSSWFKGH	RENE, INFI, NON-EC, COLD, NON-BUBBLE, NON-1W, D/M		
PRPSSWFKGJ	RENE, INFI, EC, HOT,COLD, BUBBLE, NON-1W, D/M, ISLAMIC RINSE		
PRPSSWFKGK	RENE, INFI, EC, HOT,COLD, BUBBLE, NON-1W, D/M		
PRPSSWFKGL	RENE, INFI, EC, HOT,COLD, NON-BUBBLE, NON-1W, D/M, ISLAMIC RINSE		
PRPSSWFKGM	RENE, INFI, EC, HOT,COLD, NON-BUBBLE, NON-1W, D/M		
PRPSSWFKGN	RENE, INFI, EC, COLD, BUBBLE, NON-1W, D/M, ISLAMIC RINSE		
PRPSSWFKGP	RENE, INFI, EC, COLD, BUBBLE, NON-1W, D/M		
PRPSSWFKGQ	RENE, INFI, EC, COLD, NON-BUBBLE, NON-1W, D/M, ISLAMIC RINSE		
PRPSSWFKGR	RENE, INFI, EC, COLD, NON-BUBBLE, NON-1W, D/M		
PRPSSWFKJ1	RENE, INFI, NON-EC, HOT,COLD, BUBBLE, 1W, D/M, ISLAMIC RINSE		7th PANEL (DWD- FD147X SERIES)
PRPSSWFKJ2	RENE, INFI, NON-EC, HOT,COLD, BUBBLE, 1W, D/M		
PRPSSWFKJ3	RENE, INFI, NON-EC, HOT,COLD, NON-BUBBLE, 1W, D/M, ISLAMIC RINSE		
PRPSSWFKJ4	RENE, INFI, NON-EC, HOT,COLD, NON-BUBBLE, 1W, D/M		
PRPSSWFKJ5	RENE, INFI, NON-EC OPTION, COLD OPTION, BUBBLE OPTION, 1W, D/M, ISLAMIC RINSE		
PRPSSWFKJ6	RENE, INFI, NON-EC OPTION, COLD OPTION, BUBBLE OPTION, 1W, D/M		
PRPSSWFKJ7	RENE, INFI, NON-EC, COLD, NON-BUBBLE, 1W, D/M, ISLAMIC RINSE		
PRPSSWFKJ8	RENE, INFI, NON-EC, COLD, NON-BUBBLE, 1W, D/M		
PRPSSWFKJ9	RENE, INFI, EC, HOT,COLD, BUBBLE, 1W, D/M, ISLAMIC RINSE		
PRPSSWFKK0	RENE, INFI, EC, HOT,COLD, BUBBLE, 1W, D/M		
PRPSSWFKK1	RENE, INFI, EC, HOT,COLD, NON-BUBBLE, 1W, D/M, ISLAMIC RINSE		
PRPSSWFKK2	RENE, INFI, EC, HOT,COLD, NON-BUBBLE, 1W, D/M		
PRPSSWFKK3	RENE, INFI, EC, COLD, BUBBLE, 1W, D/M, ISLAMIC RINSE		
PRPSSWFKK4	RENE, INFI, EC, COLD, BUBBLE, 1W, D/M		
PRPSSWFKK5	RENE, INFI, EC, COLD, NON-BUBBLE, 1W, D/M, ISLAMIC RINSE		
PRPSSWFKK6	RENE, INFI, EC, COLD, NON-BUBBLE, 1W, D/M		
PRPSSWFKHA	RENE, INFI, NON-EC, HOT,COLD, BUBBLE, NON-1W, D/M, ISLAMIC RINSE		
PRPSSWFKHB	RENE, INFI, NON-EC, HOT,COLD, BUBBLE, NON-1W, D/M		
PRPSSWFKHC	RENE, INFI, NON-EC, HOT,COLD, NON-BUBBLE, NON-1W, D/M, ISLAMIC RINSE		
PRPSSWFKHD	RENE, INFI, NON-EC, HOT,COLD, NON-BUBBLE, NON-1W, D/M		
PRPSSWFKHE	RENE, INFI, NON-EC OPTION, COLD OPTION, BUBBLE OPTION, NON-1W, D/M, ISLAMIC RINSE		
PRPSSWFKHF	RENE, INFI, NON-EC OPTION, COLD OPTION, BUBBLE OPTION, NON-1W, D/M		
PRPSSWFKHG	RENE, INFI, NON-EC, COLD, NON-BUBBLE, NON-1W, D/M, ISLAMIC RINSE		
PRPSSWFKHH	RENE, INFI, NON-EC, COLD, NON-BUBBLE, NON-1W, D/M		
PRPSSWFKHJ	RENE, INFI, EC, HOT,COLD, BUBBLE, NON-1W, D/M, ISLAMIC RINSE		
PRPSSWFKHK	RENE, INFI, EC, HOT,COLD, BUBBLE, NON-1W, D/M		
PRPSSWFKHL	RENE, INFI, EC, HOT,COLD, NON-BUBBLE, NON-1W, D/M, ISLAMIC RINSE		
PRPSSWFKHM	RENE, INFI, EC, HOT,COLD, NON-BUBBLE, NON-1W, D/M		
PRPSSWFKHN	RENE, INFI, EC, COLD, BUBBLE, NON-1W, D/M, ISLAMIC RINSE		
PRPSSWFKHP	RENE, INFI, EC, COLD, BUBBLE, NON-1W, D/M		
PRPSSWFKHQ	RENE, INFI, EC, COLD, NON-BUBBLE, NON-1W, D/M, ISLAMIC RINSE		
PRPSSWFKHR	RENE, INFI, EC, COLD, NON-BUBBLE, NON-1W, D/M		

PART CODE	SPECIFICATION	Q'TY	REMARK
PRPSSWFJE1	RENE, INFI, NON-EC, HOT,COLD, BUBBLE, 1W, D/M	1	ABUDABI (DWD- AFD143X SERIES)
PRPSSWFJE2	RENE, INFI, NON-EC, HOT,COLD, NON-BUBBLE, 1W, D/M		
PRPSSWFJE3	RENE, INFI, NON-EC OPTION, COLD OPTION, BUBBLE OPTION, 1W, D/M		
PRPSSWFJE4	RENE, INFI, NON-EC, COLD, NON-BUBBLE, 1W, D/M		
PRPSSWFJE5	RENE, INFI, EC, HOT,COLD, BUBBLE, 1W, D/M		
PRPSSWFJE6	RENE, INFI, EC, HOT,COLD, NON-BUBBLE, 1W, D/M		
PRPSSWFJE7	RENE, INFI, EC, COLD, BUBBLE, 1W, D/M		
PRPSSWFJE8	RENE, INFI, EC, COLD, NON-BUBBLE, 1W, D/M		
PRPSSWFJEA	RENE, INFI, NON-EC, HOT,COLD, BUBBLE, NON-1W, D/M		
PRPSSWFJEB	RENE, INFI, NON-EC, HOT,COLD, NON-BUBBLE, NON-1W, D/M		
PRPSSWFJEC	RENE, INFI, NON-EC OPTION, COLD OPTION, BUBBLE OPTION, NON-1W, D/M		
PRPSSWFJED	RENE, INFI, NON-EC, COLD, NON-BUBBLE, NON-1W, D/M		
PRPSSWFJEE	RENE, INFI, EC, HOT,COLD, BUBBLE, NON-1W, D/M		
PRPSSWFJEF	RENE, INFI, EC, HOT,COLD, NON-BUBBLE, NON-1W, D/M		
PRPSSWFJEG	RENE, INFI, EC, COLD, BUBBLE, NON-1W, D/M		
PRPSSWFJEH	RENE, INFI, EC, COLD, NON-BUBBLE, NON-1W, D/M		

NOTE : PCB AS OPTIONS

1. EC(Electricity failure Compensation) Option : EC(Apply EC option), NON-EC(Do not apply EC option).
2. Water Inlet Valve Option : HOT(Apply cold Inlet valve and hot inlet valve), COLD(Apply cold inlet valve only).
3. Bubble Pump Option : BB(Apply bubble pump), NON-BB(Do not apply bubble pump).
4. 1W Standby Power Option : 1W(Apply 1W standby power option), NON-1W(Do not apply 1W standby power option).
5. Motor Maker Option : D/M(Apply 'Dongsuh' motor), N/M(Apply 'Newmotech' motor).
6. Function Button Option : ISLAMIC RINSE(Apply 'Islamic Rinse' function), Others(Apply 'Water+' function).

■ Detailed Part Code of PCB AS (NEWMOTECH)

PART CODE	SPECIFICATION	Q'TY	REMARK
PRPSSWFLA1	RENE, INFI, NON-EC, HOT,COLD, BUBBLE, 1W, N/M	1	1st PANEL (DWD- FD141X SERIES)
PRPSSWFLA2	RENE, INFI, NON-EC, HOT,COLD, NON-BUBBLE, 1W, N/M		
PRPSSWFLA3	RENE, INFI, NON-EC, COLD, BUBBLE, 1W, N/M		
PRPSSWFLA4	RENE, INFI, NON-EC, COLD, NON-BUBBLE, 1W, N/M		
PRPSSWFLA5	RENE, INFI, EC, HOT,COLD, BUBBLE, 1W, N/M		
PRPSSWFLA6	RENE, INFI, EC, HOT,COLD, NON-BUBBLE, 1W, N/M		
PRPSSWFLA7	RENE, INFI, EC, COLD, BUBBLE, 1W, N/M		
PRPSSWFLA8	RENE, INFI, EC, COLD, NON-BUBBLE, 1W, N/M		
PRPSSWFLAA	RENE, INFI, NON-EC, HOT,COLD, BUBBLE, NON-1W, N/M		
PRPSSWFLAB	RENE, INFI, NON-EC, HOT,COLD, NON-BUBBLE, NON-1W, N/M		
PRPSSWFLAC	RENE, INFI, NON-EC, COLD, BUBBLE, NON-1W, N/M		
PRPSSWFLAD	RENE, INFI, NON-EC, COLD, NON-BUBBLE, NON-1W, N/M		
PRPSSWFLAE	RENE, INFI, EC, HOT,COLD, BUBBLE, NON-1W, N/M		
PRPSSWFLAF	RENE, INFI, EC, HOT,COLD, NON-BUBBLE, NON-1W, N/M		
PRPSSWFLAG	RENE, INFI, EC, COLD, BUBBLE, NON-1W, N/M		
PRPSSWFLAH	RENE, INFI, EC, COLD, NON-BUBBLE, NON-1W, N/M		
PRPSSWFLB1	RENE, INFI, NON-EC, HOT,COLD, BUBBLE, 1W, N/M		2nd PANEL (DWD- FD142X SERIES)
PRPSSWFLB2	RENE, INFI, NON-EC, HOT,COLD, NON-BUBBLE, 1W, N/M		
PRPSSWFLB3	RENE, INFI, NON-EC OPTION, COLD OPTION, BUBBLE OPTION, 1W, N/M		
PRPSSWFLB4	RENE, INFI, NON-EC, COLD, NON-BUBBLE, 1W, N/M		
PRPSSWFLB5	RENE, INFI, EC, HOT,COLD, BUBBLE, 1W, N/M		
PRPSSWFLB6	RENE, INFI, EC, HOT,COLD, NON-BUBBLE, 1W, N/M		
PRPSSWFLB7	RENE, INFI, EC, COLD, BUBBLE, 1W, N/M		
PRPSSWFLB8	RENE, INFI, EC, COLD, NON-BUBBLE, 1W, N/M		
PRPSSWFLBA	RENE, INFI, NON-EC, HOT,COLD, BUBBLE, NON-1W, N/M		
PRPSSWFLBB	RENE, INFI, NON-EC, HOT,COLD, NON-BUBBLE, NON-1W, N/M		
PRPSSWFLBC	RENE, INFI, NON-EC OPTION, COLD OPTION, BUBBLE OPTION, NON-1W, N/M		
PRPSSWFLBD	RENE, INFI, NON-EC, COLD, NON-BUBBLE, NON-1W, N/M		
PRPSSWFLBE	RENE, INFI, EC, HOT,COLD, BUBBLE, NON-1W, N/M		
PRPSSWFLBF	RENE, INFI, EC, HOT,COLD, NON-BUBBLE, NON-1W, N/M		
PRPSSWFLBG	RENE, INFI, EC, COLD, BUBBLE, NON-1W, N/M		
PRPSSWFLBH	RENE, INFI, EC, COLD, NON-BUBBLE, NON-1W, N/M		3rd PANEL (DWD- FD143X SERIES)
PRPSSWFLC1	RENE, INFI, NON-EC, HOT,COLD, BUBBLE, 1W, N/M		
PRPSSWFLC2	RENE, INFI, NON-EC, HOT,COLD, NON-BUBBLE, 1W, N/M		
PRPSSWFLC3	RENE, INFI, NON-EC OPTION, COLD OPTION, BUBBLE OPTION, 1W, N/M		
PRPSSWFLC4	RENE, INFI, NON-EC, COLD, NON-BUBBLE, 1W, N/M		
PRPSSWFLC5	RENE, INFI, EC, HOT,COLD, BUBBLE, 1W, N/M		
PRPSSWFLC6	RENE, INFI, EC, HOT,COLD, NON-BUBBLE, 1W, N/M		
PRPSSWFLC7	RENE, INFI, EC, COLD, BUBBLE, 1W, N/M		
PRPSSWFLC8	RENE, INFI, EC, COLD, NON-BUBBLE, 1W, N/M		
PRPSSWFLCA	RENE, INFI, NON-EC, HOT,COLD, BUBBLE, NON-1W, N/M		
PRPSSWFLCB	RENE, INFI, NON-EC, HOT,COLD, NON-BUBBLE, NON-1W, N/M		
PRPSSWFLCC	RENE, INFI, NON-EC OPTION, COLD OPTION, BUBBLE OPTION, NON-1W, N/M		
PRPSSWFLCD	RENE, INFI, NON-EC, COLD, NON-BUBBLE, NON-1W, N/M		
PRPSSWFLCE	RENE, INFI, EC, HOT,COLD, BUBBLE, NON-1W, N/M		
PRPSSWFLCF	RENE, INFI, EC, HOT,COLD, NON-BUBBLE, NON-1W, N/M		
PRPSSWFLCG	RENE, INFI, EC, COLD, BUBBLE, NON-1W, N/M		
PRPSSWFLCH	RENE, INFI, EC, COLD, NON-BUBBLE, NON-1W, N/M		

PART CODE	SPECIFICATION	Q'TY	REMARK
PRPSSWFLD1	RENE, INFI, NON-EC, HOT,COLD, BUBBLE, 1W, N/M	1	4th PANEL (DWD- FD144X SERIES)
PRPSSWFLD2	RENE, INFI, NON-EC, HOT,COLD, NON-BUBBLE, 1W, N/M		
PRPSSWFLD3	RENE, INFI, NON-EC OPTION, COLD OPTION, BUBBLE OPTION, 1W, N/M		
PRPSSWFLD4	RENE, INFI, NON-EC, COLD, NON-BUBBLE, 1W, N/M		
PRPSSWFLD5	RENE, INFI, EC, HOT,COLD, BUBBLE, 1W, N/M		
PRPSSWFLD6	RENE, INFI, EC, HOT,COLD, NON-BUBBLE, 1W, N/M		
PRPSSWFLD7	RENE, INFI, EC, COLD, BUBBLE, 1W, N/M		
PRPSSWFLD8	RENE, INFI, EC, COLD, NON-BUBBLE, 1W, N/M		
PRPSSWFLDA	RENE, INFI, NON-EC, HOT,COLD, BUBBLE, NON-1W, N/M		
PRPSSWFLDB	RENE, INFI, NON-EC, HOT,COLD, NON-BUBBLE, NON-1W, N/M		
PRPSSWFLDC	RENE, INFI, NON-EC OPTION, COLD OPTION, BUBBLE OPTION, NON-1W, N/M		
PRPSSWFLDD	RENE, INFI, NON-EC, COLD, NON-BUBBLE, NON-1W, N/M		
PRPSSWFLDE	RENE, INFI, EC, HOT,COLD, BUBBLE, NON-1W, N/M		
PRPSSWFLDF	RENE, INFI, EC, HOT,COLD, NON-BUBBLE, NON-1W, N/M		
PRPSSWFLDG	RENE, INFI, EC, COLD, BUBBLE, NON-1W, N/M		
PRPSSWFLDH	RENE, INFI, EC, COLD, NON-BUBBLE, NON-1W, N/M		
PRPSSWFLF1	RENE, INFI, NON-EC OPTION, HOT,COLD OPTION, BUBBLE OPTION, 1W, N/M		5th PANEL (DWD- FD145X SERIES)
PRPSSWFLF2	RENE, INFI, NON-EC OPTION, HOT,COLD OPTION, NON-BUBBLE OPTION, 1W, N/M		
PRPSSWFLF3	RENE, INFI, NON-EC OPTION, COLD OPTION, BUBBLE OPTION, 1W, N/M		
PRPSSWFLF4	RENE, INFI, NON-EC OPTION, COLD OPTION, NON-BUBBLE OPTION, 1W, N/M		
PRPSSWFLF5	RENE, INFI, EC OPTION, HOT,COLD OPTION, BUBBLE OPTION, 1W, N/M		
PRPSSWFLF6	RENE, INFI, EC OPTION, HOT,COLD OPTION, NON-BUBBLE OPTION, 1W, N/M		
PRPSSWFLF7	RENE, INFI, EC OPTION, COLD OPTION, BUBBLE OPTION, 1W, N/M		
PRPSSWFLF8	RENE, INFI, EC OPTION, COLD OPTION, NON-BUBBLE OPTION, 1W, N/M		
PRPSSWFLFA	RENE, INFI, NON-EC OPTION, HOT,COLD OPTION, BUBBLE OPTION, NON-1W, N/M		
PRPSSWFLFB	RENE, INFI, NON-EC OPTION, HOT,COLD OPTION, NON-BUBBLE OPTION, NON-1W, N/M		
PRPSSWFLFC	RENE, INFI, NON-EC OPTION, COLD OPTION, BUBBLE OPTION, NON-1W, N/M		
PRPSSWFLFD	RENE, INFI, NON-EC OPTION, COLD OPTION, NON-BUBBLE OPTION, NON-1W, N/M		
PRPSSWFLFE	RENE, INFI, EC OPTION, HOT,COLD OPTION, BUBBLE OPTION, 1W, NON-1W, N/M		
PRPSSWFLFF	RENE, INFI, EC OPTION, HOT,COLD OPTION, NON-BUBBLE OPTION, NON-1W, N/M		
PRPSSWFLFG	RENE, INFI, EC OPTION, COLD OPTION, BUBBLE OPTION, NON-1W, N/M		
PRPSSWFLFH	RENE, INFI, EC OPTION, COLD OPTION, NON-BUBBLE OPTION, NON-1W, N/M		
PRPSSWFKL1	RENE, INFI, NON-EC, HOT,COLD, BUBBLE, 1W, N/M, ISLAMIC RINSE		6th PANEL (DWD- FD146X SERIES)
PRPSSWFKL2	RENE, INFI, NON-EC, HOT,COLD, BUBBLE, 1W, N/M		
PRPSSWFKL3	RENE, INFI, NON-EC, HOT,COLD, NON-BUBBLE, 1W, N/M, ISLAMIC RINSE		
PRPSSWFKL4	RENE, INFI, NON-EC, HOT,COLD, NON-BUBBLE, 1W, N/M		
PRPSSWFKL5	RENE, INFI, NON-EC OPTION, COLD OPTION, BUBBLE OPTION, 1W, N/M, ISLAMIC RINSE		
PRPSSWFKL6	RENE, INFI, NON-EC OPTION, COLD OPTION, BUBBLE OPTION, 1W, N/M		
PRPSSWFKL7	RENE, INFI, NON-EC, COLD, NON-BUBBLE, 1W, N/M, ISLAMIC RINSE		
PRPSSWFKL8	RENE, INFI, NON-EC, COLD, NON-BUBBLE, 1W, N/M		
PRPSSWFKL9	RENE, INFI, EC, HOT,COLD, BUBBLE, 1W, N/M, ISLAMIC RINSE		
PRPSSWFKM0	RENE, INFI, EC, HOT,COLD, BUBBLE, 1W, N/M		
PRPSSWFKM1	RENE, INFI, EC, HOT,COLD, NON-BUBBLE, 1W, N/M, ISLAMIC RINSE		
PRPSSWFKM2	RENE, INFI, EC, HOT,COLD, NON-BUBBLE, 1W, N/M		
PRPSSWFKM3	RENE, INFI, EC, COLD, BUBBLE, 1W, N/M, ISLAMIC RINSE		
PRPSSWFKM4	RENE, INFI, EC, COLD, BUBBLE, 1W, N/M		
PRPSSWFKM5	RENE, INFI, EC, COLD, NON-BUBBLE, 1W, N/M, ISLAMIC RINSE		
PRPSSWFKM6	RENE, INFI, EC, COLD, NON-BUBBLE, 1W, N/M		
PRPSSWFKJA	RENE, INFI, NON-EC, HOT,COLD, BUBBLE, NON-1W, N/M, ISLAMIC RINSE		

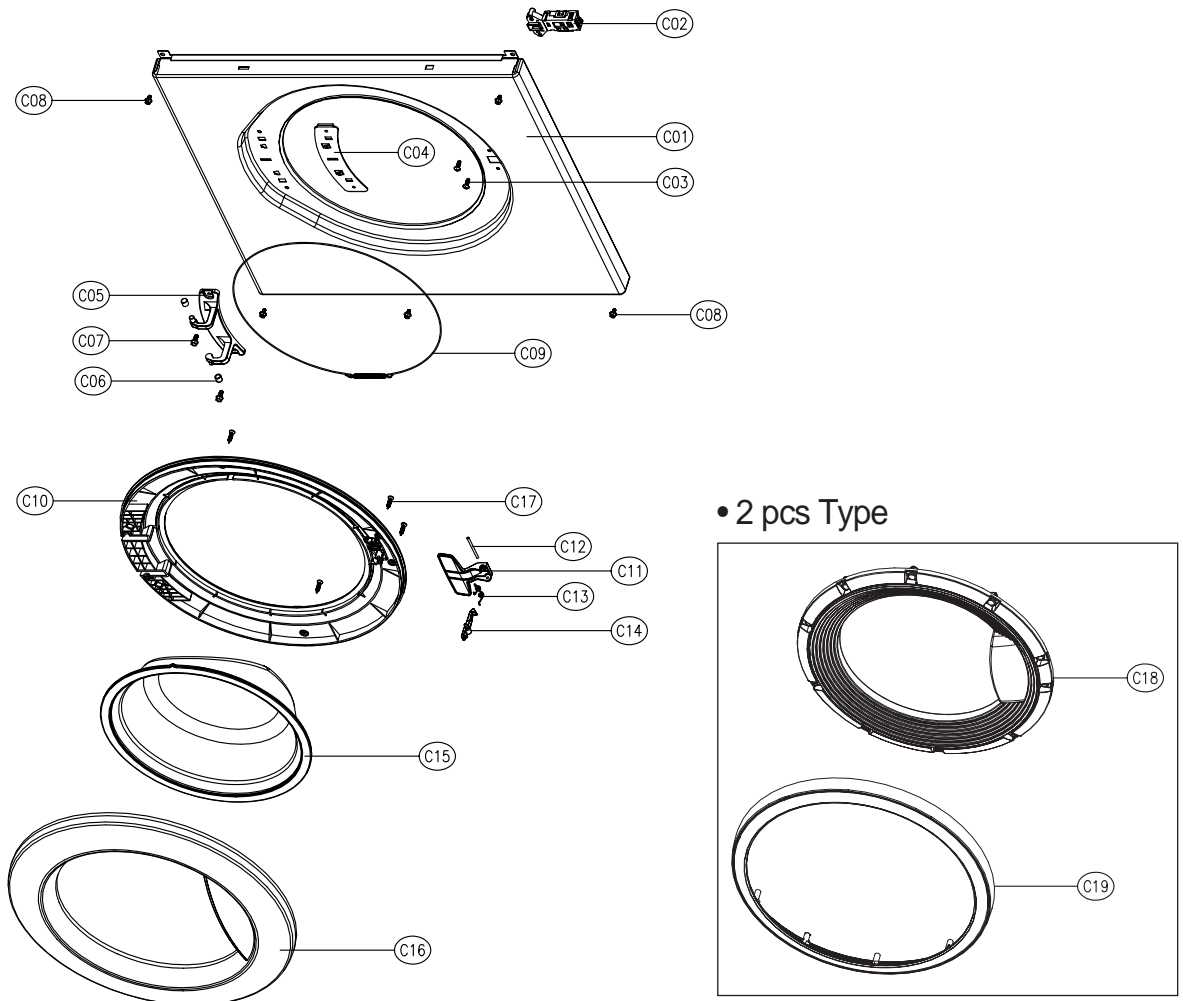
PART CODE	SPECIFICATION	Q'TY	REMARK
PRPSSWFKJB	RENE, INFI, NON-EC, HOT,COLD, BUBBLE, NON-1W, N/M	1	6th PANEL (DWD- FD146X SERIES)
PRPSSWFKJC	RENE, INFI, NON-EC, HOT,COLD, NON-BUBBLE, NON-1W, N/M, ISLAMIC RINSE		
PRPSSWFKJD	RENE, INFI, NON-EC, HOT,COLD, NON-BUBBLE, NON-1W, N/M		
PRPSSWFKJE	RENE, INFI, NON-EC OPTION, COLD OPTION, BUBBLE OPTION, NON-1W, N/M, ISLAMIC RINSE		
PRPSSWFKJF	RENE, INFI, NON-EC OPTION, COLD OPTION, BUBBLE OPTION, NON-1W, N/M		
PRPSSWFKJG	RENE, INFI, NON-EC, COLD, NON-BUBBLE, NON-1W, N/M, ISLAMIC RINSE		
PRPSSWFKJH	RENE, INFI, NON-EC, COLD, NON-BUBBLE, NON-1W, N/M		
PRPSSWFKJJ	RENE, INFI, EC, HOT,COLD, BUBBLE, NON-1W, N/M, ISLAMIC RINSE		
PRPSSWFKJK	RENE, INFI, EC, HOT,COLD, BUBBLE, NON-1W, N/M		
PRPSSWFKJL	RENE, INFI, EC, HOT,COLD, NON-BUBBLE, NON-1W, N/M, ISLAMIC RINSE		
PRPSSWFKJM	RENE, INFI, EC, HOT,COLD, NON-BUBBLE, NON-1W, N/M		
PRPSSWFKJN	RENE, INFI, EC, COLD, BUBBLE, NON-1W, N/M, ISLAMIC RINSE		
PRPSSWFKJP	RENE, INFI, EC, COLD, BUBBLE, NON-1W, N/M		
PRPSSWFKJQ	RENE, INFI, EC, COLD, NON-BUBBLE, NON-1W, N/M, ISLAMIC RINSE		
PRPSSWFKJR	RENE, INFI, EC, COLD, NON-BUBBLE, NON-1W, N/M		
PRPSSWFKN1	RENE, INFI, NON-EC, HOT,COLD, BUBBLE, 1W, N/M, ISLAMIC RINSE		
PRPSSWFKN2	RENE, INFI, NON-EC, HOT,COLD, BUBBLE, 1W, N/M		
PRPSSWFKN3	RENE, INFI, NON-EC, HOT,COLD, NON-BUBBLE, 1W, N/M, ISLAMIC RINSE		
PRPSSWFKN4	RENE, INFI, NON-EC, HOT,COLD, NON-BUBBLE, 1W, N/M		
PRPSSWFKN5	RENE, INFI, NON-EC OPTION, COLD OPTION, BUBBLE OPTION, 1W, N/M, ISLAMIC RINSE		
PRPSSWFKN6	RENE, INFI, NON-EC OPTION, COLD OPTION, BUBBLE OPTION, 1W, N/M		
PRPSSWFKN7	RENE, INFI, NON-EC, COLD, NON-BUBBLE, 1W, N/M, ISLAMIC RINSE		
PRPSSWFKN8	RENE, INFI, NON-EC, COLD, NON-BUBBLE, 1W, N/M		
PRPSSWFKN9	RENE, INFI, EC, HOT,COLD, BUBBLE, 1W, N/M, ISLAMIC RINSE		
PRPSSWFKP0	RENE, INFI, EC, HOT,COLD, BUBBLE, 1W, N/M		
PRPSSWFKP1	RENE, INFI, EC, HOT,COLD, NON-BUBBLE, 1W, N/M, ISLAMIC RINSE		
PRPSSWFKP2	RENE, INFI, EC, HOT,COLD, NON-BUBBLE, 1W, N/M		
PRPSSWFKP3	RENE, INFI, EC, COLD, BUBBLE, 1W, N/M, ISLAMIC RINSE		
PRPSSWFKP4	RENE, INFI, EC, COLD, BUBBLE, 1W, N/M		
PRPSSWFKP5	RENE, INFI, EC, COLD, NON-BUBBLE, 1W, N/M, ISLAMIC RINSE		
PRPSSWFKP6	RENE, INFI, EC, COLD, NON-BUBBLE, 1W, N/M		
PRPSSWFKKA	RENE, INFI, NON-EC, HOT,COLD, BUBBLE, NON-1W, N/M, ISLAMIC RINSE		7th PANEL (DWD- FD147X SERIES)
PRPSSWFKKB	RENE, INFI, NON-EC, HOT,COLD, BUBBLE, NON-1W, N/M		
PRPSSWFKKC	RENE, INFI, NON-EC, HOT,COLD, NON-BUBBLE, NON-1W, N/M, ISLAMIC RINSE		
PRPSSWFKKD	RENE, INFI, NON-EC, HOT,COLD, NON-BUBBLE, NON-1W, N/M		
PRPSSWFKKE	RENE, INFI, NON-EC OPTION, COLD OPTION, BUBBLE OPTION, NON-1W, N/M, ISLAMIC RINSE		
PRPSSWFKKF	RENE, INFI, NON-EC OPTION, COLD OPTION, BUBBLE OPTION, NON-1W, N/M		
PRPSSWFKKG	RENE, INFI, NON-EC, COLD, NON-BUBBLE, NON-1W, N/M, ISLAMIC RINSE		
PRPSSWFKKH	RENE, INFI, NON-EC, COLD, NON-BUBBLE, NON-1W, N/M		
PRPSSWFKKJ	RENE, INFI, EC, HOT,COLD, BUBBLE, NON-1W, N/M, ISLAMIC RINSE		
PRPSSWFKKK	RENE, INFI, EC, HOT,COLD, BUBBLE, NON-1W, N/M		
PRPSSWFKKL	RENE, INFI, EC, HOT,COLD, NON-BUBBLE, NON-1W, N/M, ISLAMIC RINSE		
PRPSSWFKKM	RENE, INFI, EC, HOT,COLD, NON-BUBBLE, NON-1W, N/M		
PRPSSWFKKN	RENE, INFI, EC, COLD, BUBBLE, NON-1W, N/M, ISLAMIC RINSE		
PRPSSWFKKP	RENE, INFI, EC, COLD, BUBBLE, NON-1W, N/M		
PRPSSWFKKQ	RENE, INFI, EC, COLD, NON-BUBBLE, NON-1W, N/M, ISLAMIC RINSE		
PRPSSWFKKR	RENE, INFI, EC, COLD, NON-BUBBLE, NON-1W, N/M		

PART CODE	SPECIFICATION	Q'TY	REMARK
PRPSSWFLE1	RENE, INFI, NON-EC, HOT,COLD, BUBBLE, 1W, N/M	1	ABUDABI (DWD- AFD143X SERIES)
PRPSSWFLE2	RENE, INFI, NON-EC, HOT,COLD, NON-BUBBLE, 1W, N/M		
PRPSSWFLE3	RENE, INFI, NON-EC OPTION, COLD OPTION, BUBBLE OPTION, 1W, N/M		
PRPSSWFLE4	RENE, INFI, NON-EC, COLD, NON-BUBBLE, 1W, N/M		
PRPSSWFLE5	RENE, INFI, EC, HOT,COLD, BUBBLE, 1W, N/M		
PRPSSWFLE6	RENE, INFI, EC, HOT,COLD, NON-BUBBLE, 1W, N/M		
PRPSSWFLE7	RENE, INFI, EC, COLD, BUBBLE, 1W, N/M		
PRPSSWFLE8	RENE, INFI, EC, COLD, NON-BUBBLE, 1W, N/M		
PRPSSWFLEA	RENE, INFI, NON-EC, HOT,COLD, BUBBLE, NON-1W, N/M		
PRPSSWFLEB	RENE, INFI, NON-EC, HOT,COLD, NON-BUBBLE, NON-1W, N/M		
PRPSSWFLEC	RENE, INFI, NON-EC OPTION, COLD OPTION, BUBBLE OPTION, NON-1W, N/M		
PRPSSWFLED	RENE, INFI, NON-EC, COLD, NON-BUBBLE, NON-1W, N/M		
PRPSSWFLEE	RENE, INFI, EC, HOT,COLD, BUBBLE, NON-1W, N/M		
PRPSSWFLEF	RENE, INFI, EC, HOT,COLD, NON-BUBBLE, NON-1W, N/M		
PRPSSWFLEG	RENE, INFI, EC, COLD, BUBBLE, NON-1W, N/M		
PRPSSWFLEH	RENE, INFI, EC, COLD, NON-BUBBLE, NON-1W, N/M		

NOTE : PCB AS OPTIONS

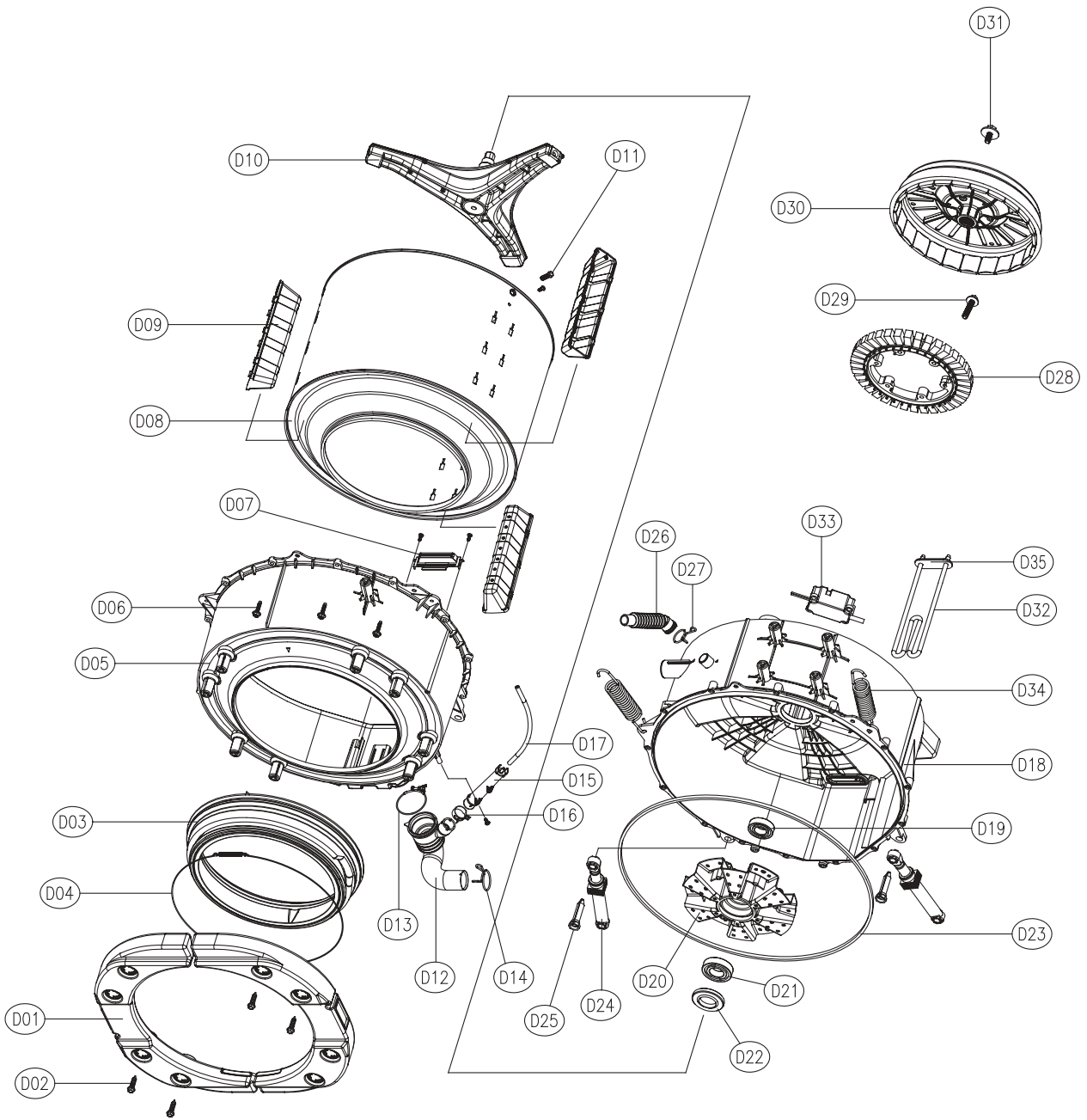
1. EC(Electricity failure Compensation) Option : EC(Apply EC option), NON-EC(Do not apply EC option).
2. Water Inlet Valve Option : HOT(Apply cold Inlet valve and hot inlet valve), COLD(Apply cold inlet valve only).
3. Bubble Pump Option : BB(Apply bubble pump), NON-BB(Do not apply bubble pump).
4. 1W Standby Power Option : 1W(Apply 1W standby power option), NON-1W(Do not apply 1W standby power option).
5. Motor Maker Option : D/M(Apply 'Dongsuh' motor), N/M(Apply 'Newmotech' motor).
6. Function Button Option : ISLAMIC RINSE(Apply 'Islamic Rinse' function), Others(Apply 'Water+' function).

■ CABINET FRONT AS



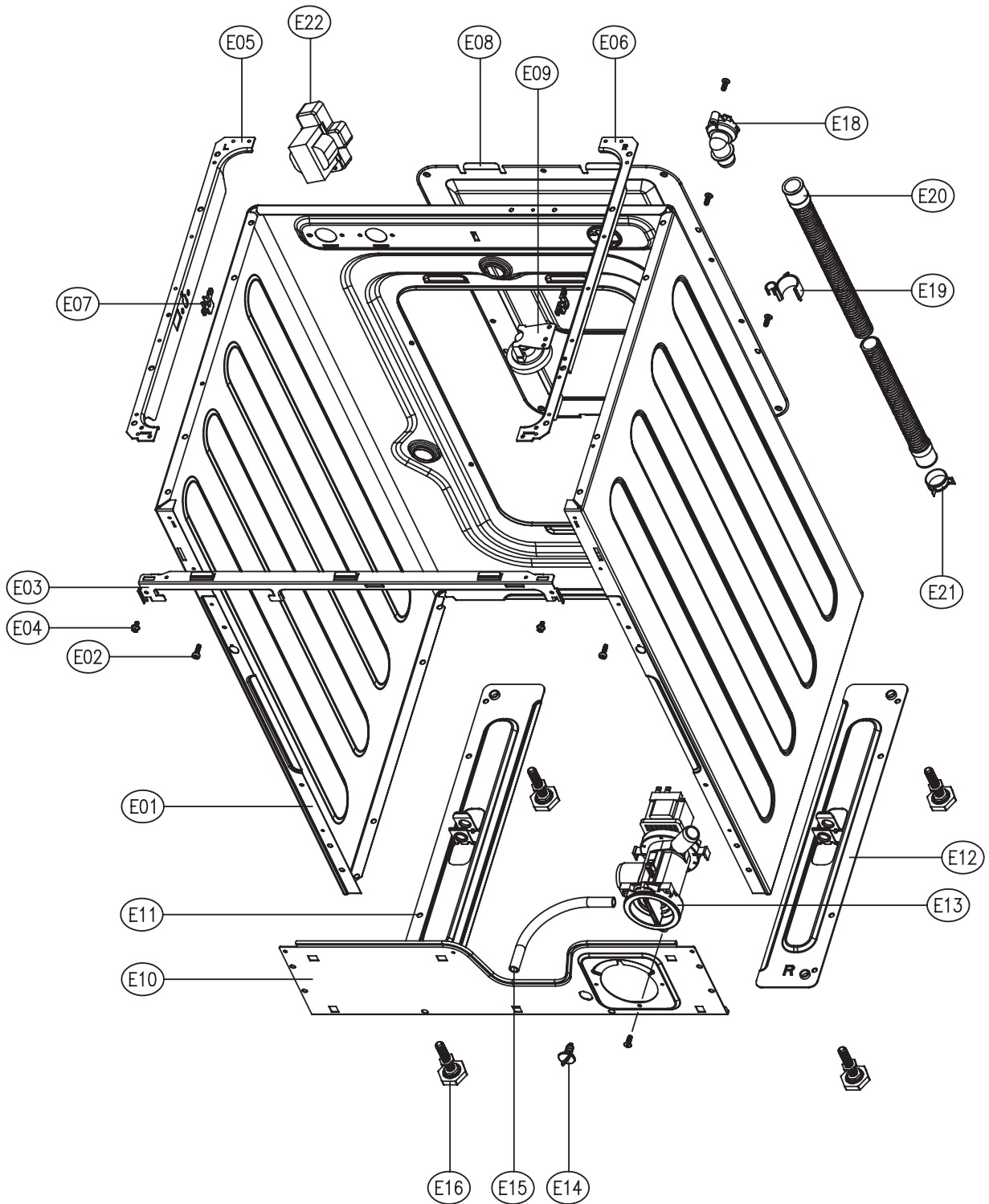
No.	PART NAME	PART CODE	SPECIFICATION	Q'TY	REMARK
C01	CABINET *F	3610811220	SECD 0.7T	1	DWD-FD14X1(2) DWD-FD14X3
		3610811210	PCM, SGCC 0.8T, SILVER		
C02	SWITCH DOOR LOCK	3619047100	DL-LC BITRON_3P 250V 16A BI-METAL	1	
C03	SCREW TAPPING	7122401208	T2S TRS 4X12 SUS	2	
C04	PLATE HINGE SUPPORT	3614531900	SGCC T1.6	0	No use
C05	HINGE DOOR	3612902800	ALDC	1	
C06	CAP HINGE DOOR	3610916500	POM	2	
C07	SCREW TAPPING	3616051229	F/L BOLT(SE) 5*12 SUS	2	
C08	SCREW TAPPING	3616029950	TTS"S" HEX F/L 4*8	6	
C09	CLAMP DOOR AS	3611204810	HSW3, D=1.4 GS	1	
C10	FRAME DOOR *I	3612205200	PP	1	
C11	HANDLE DOOR	3612608600	ABS	1	
C12	PIN HANDLE	3618200200	SUS304, D3, L48	1	
C13	SPRING HOOK	3615114600	SUS D1.4	1	
C14	HOOK DOOR	3613100700	ZNDC	1	
C15	DOOR GLASS	361A110700	GLASS PI300	1	
C16	FRAME DOOR *O	3612205102	HIPS D-F'S	1	DWD-FD14X1 DWD-FD14X2(3)
		3612205120	CR3		
C17	SCREW TAPPING	7115402029	T1S FLT 4*20 SUS	6	
C18	FRAME DOOR O	3612211900	D-F'S, 2 PCS TYPE, ABS, BLACK	1	2 pcs type(option)
		3612211910	D-F'S, 2 PCS TYPE, HIPS, WHITE		
C19	DECO DOOR O	3612212000	D-F'SERIES 6&7TH , ABS	1	

■ TUB ASS'Y



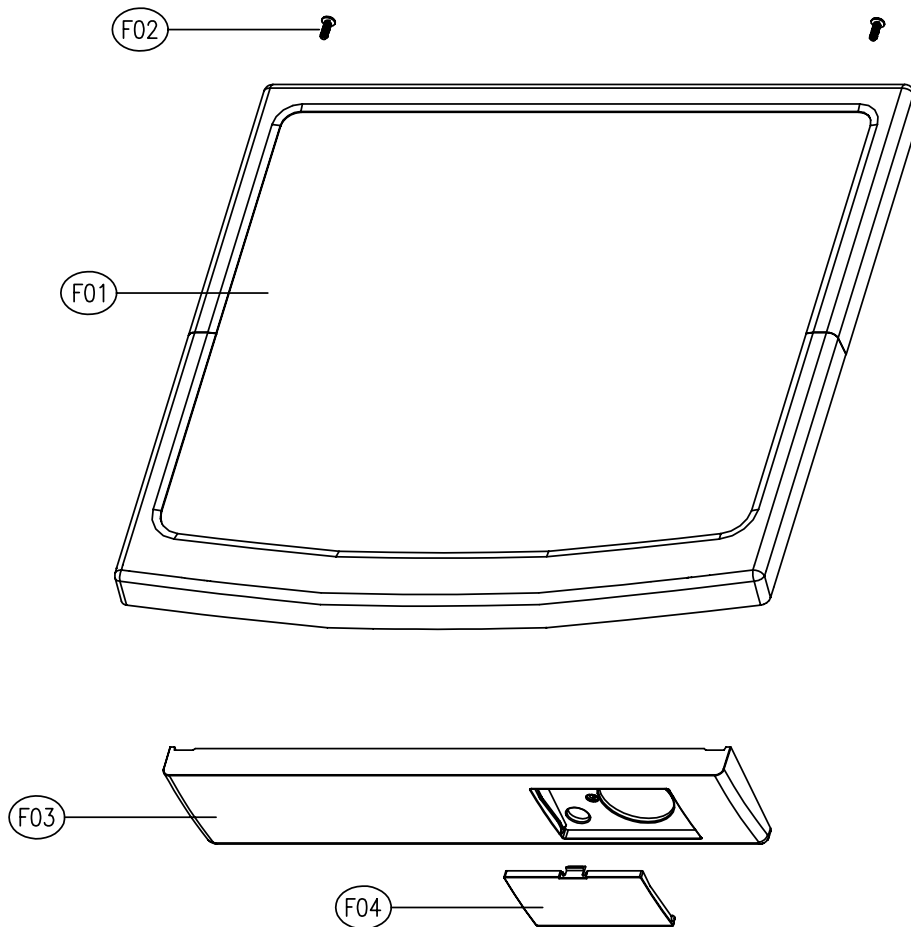
No.	PART NAME	PART CODE	SPECIFICATION	Q'TY	REMARK
D01	BALANCER WEIGHT F L/R	3616106320	FRONT, 5.5kg	2	
D02	SPECIAL SCREW(BALANCER)	3616029400	SWCH 8.5X30	8	
D03	GASKET	3612321400	EPDM	1	
D04	CLAMP GASKET AS	3611204520	HSW3,GS	1	
D05	TUB *F	3618821010	FRPP FH7304GM	1	
D06	SPECIAL SCREW(TUB)	3616029800	SWCH 6.5X30	14	
D07	FIXTURE HEATER	3612007300	SUS 0.7T 440°ø45	1	
D08	DRUM SUB AS	3617004002	SUS 0.5T	1	
D09	LIFTER WASH	361A400400	PP	3	OPTION
		361A400410	NANO		
D10	SPIDER AS	361A300510	ALDC+SM45C	1	
D11	SPECIAL SCREW(SPIDER)	3616029500	SUS430 8x25	3	
D12	HOSE DRAIN	3613267300	EPDM	1	
D13	CLAMP AS	3611203210	ID=60,WIRE+GUIDE+BOLT+NUT	1	
D14	CLAMP HOSE I	3611201401	HSW3, D2.6, MFZN, D=38	1	
D15	AIR TRAP	361A500101	PP	1	
D16	CLAMP HOSE	3611204700	D26	1	
D17	HOSE AIR	3613268600	ID=4, OD=8, L=700	1	
D18	TUB REAR AS	36100E2U10	D-FD14	1	
D18-1	TUB REAR	3618821110	FRPP FH7304GM 1	1	
D18-2	BEARING HOUSING	3616303321	ALDC M8 TAP D-FD'S DOMESTIC	1	
D19	BEARING OUTER	3616303200	6205Z FAG	1	
D20	BEARING HOUSING	3616303321	ALDC M8 TAP D-FD'S DOMESTIC	1	
D21	BEARING INNER	3616303100	6206Z FAG	1	
D22	WATER SEAL	361A600100	NBR	1	
D23	GASKET TUB (SEALING TUB)	3612321601	EPDM L=1600(-0,+10)	1	
D24	DAMPER FRICTION	361A700120	120N, AKS, ST=170-160, DL=197.5	2	
D25	DAMPER PIN	361A700200	AKS, D=14.5	2	
D26	HOSE VENT	3613267100	EPDM	1	
D27	CLAMP HOSE	3611204700	D26, wire-type	1	
D28	UNIT STATOR BLDC	36189L4820	AL-16T 36SLOT 2SNESOR	1	DONGSU
		36189L621A	AL,DON1000W 18T 36POLE,NMT,PBT	1	NEWMOTECH
		36189L621E	AL,DON1000W 18T 36POLE,ENTEK,NMT,PBT	1	NEWMOTECH
D29	SPECIAL BOLT AS	3616029920	SWCH M8+SILOCK, 35MM	6	DONGSU
		3616029910	SWCH M8+SILOCK,49MM	6	NEWMOTECH
D30	UNIT ROTOR BLDC	36189L4910	MAGENT24 SERRATION	1	DONGSU
		36189I6310	DON1000W SR-FERRITE12, 18T, NMT	1	NEWMOTECH
D32	HEATER WASH	3612802400	220V 2KW.1R0A721001.RW8TF.IRCA	1	DWD-FD'S(220V)
		3612802410	230V 2KW.1R0A721002.RW8TF.IRCA	1	DWD-FD'S(230V)
		3612802420	240V 2KW.1R0A721003.RW8TF.IRCA 1	1	DWD-FD'S(240V)
		3612802430	110V 1KW.1R0A721004.RW8TF.IRCA	1	DWD-F'S(110V)
		3612802440	120V 1KW.1R0A721005.RW8TF1PE.IRCA	1	DWD-FD'S(120-127V)
		3612803700	230V 2000W.1R5A721002.IRCA FUSE 2EA	1	DWD-F'S(230V), VDE
D33	UNIT BUBBLE PUMP AS	36189L4120	220-240V DBK-240DB RP CHSHION	1	OPTION(220-240)
		36189L4G10	100-130 DBK-115DB RP-CUSH		OPTION(100-130)
D34	SPRING SUSPENSION	3615115310	D3.2, L164	2	
D35	THERMISTOR WASH	361AAAAB10	R25=1.704kΩ R80=11.981kΩ	1	

■ CABINET AS



No.	PART NAME	PART CODE	SPECIFICATION	Q'TY	REMARK
E01	CABINET	3610811101	SGCC(GI), 0.7TX825.7X1630.8	1	DWD-FD'S
E02	SPECIAL SCREW	3616029100	M4x12.5, MACHINE	2	
E03	FRAME UPPER	3612205801	SGCC T1.0 55X580	1	
E04	SCREW TAPPING	3616029950	TTS"S" HEX F/L 4X8	4	
E05	FRAME TOP *L	3612205601	SGCC T1.4 52x500	1	
E06	FRAME TOP *R	3612205701	SGCC T1.4 52x500	1	
E07	STOPPER SPRING	3615202200	POM	2	
E08	COVER *B	3611427100	PP	1	
E09	SENSOR PRESSURE	3614825300	5V DRUM DL-DW11 INLET 90	1	
E10	FRAME LOWER	3612205501	SGCC T1.0 160X580	1	
E11	BASE U-L	3610392201	SGCC T1.4 100x500	1	
E12	BASE U-R	3610392301	SGCC T1.4 100x500	1	
E13	UNIT DRAIN PUMP AS	36189L5700	40W 110-127V/60HZ B20-3 DRUM(6KG.FILTER) CU	1	DWD-FD'S(110-127/60)
		36189L5K20	AL.220-240/50 B20-6 30W 6KG		DWD-FD'S(220-240/50)
		36189L5J20	AL.220/60 B20-5 35W 6KG		DWD-FD'S(220/60)
E14	CAP WATER REMAIN	3610916800	PP	1	
E15	HOSE WATER REMAIN	3613268700	EPDM, ID8.5, L200	1	
E16	LEG ADJUST AS	3617703811	FOOT + NUT	4	
E17	EMI FILTER	3611909320	K25,MIN7MH,X0.47U.Y222.VAR471K.NON FUSE	1	DWD-FD'S(EU)
E18	CUFF DRAIN HOSE	3616802500	PP	1	
E19	GUIDE DRAIN HOSE	3612510400	PP	1	
E20	HOSE DRAIN INNER AS	3613268401	L=870(changed)	1	
E21	CLAMP HOSE	3611204701	D26	1	
E22	REACTOR AS	3615800100	DWD-800W RT--046B	1	OPTION

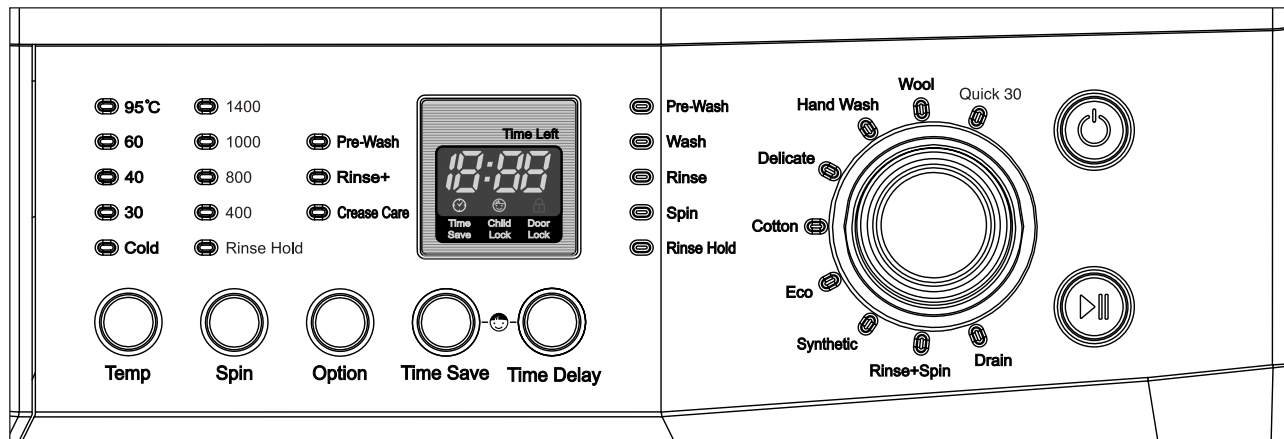
■ PLATE T AS + PANEL LOWER AS










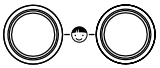
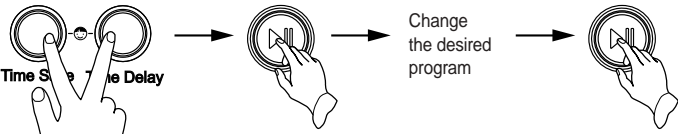
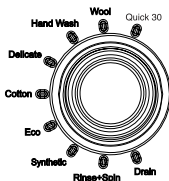
No.	PART NAME	PART CODE	SPECIFICATION	Q'TY	REMARK
F01	PLATE TOP AS	3614532900	DWD-800W(HIPS, MFC, WH)	1	DWD-F1411(2)
		3614532910	ABS+UV SPRAY, MFC, SILVER		DWD-F1413
		3614532920	DWD-F142X(HIPS, MFC, WH)		DWD-F1421(2)
		3614532930	ABS+UV SPRAY, MFC, SILVER		DWD-F1423
		3614533300	FX1X31~2, 41~2(HIPS, MFC, WH)		DWD-F1431(2) DWD-F1441(2) DWD-F1451(2) DWD-F1461(2) DWD-F1471(2)
		3614533310	F3~F4'S, SPRAY(ABS, MFC, SILVER)		DWD-F1433 DWD-F1443 DWD-F1453 DWD-F1463 DWD-F1473
F02	SCREW TAPPING	7122401411	T2S TRS 4x14 MFZN	2	
F03	PANEL LOWER	3614282801	HIPS	1	
F04	COVER PUMP FILTER	3611425801	HIPS	1	

6. FUNCTIONS OF THE CONTROL PANEL

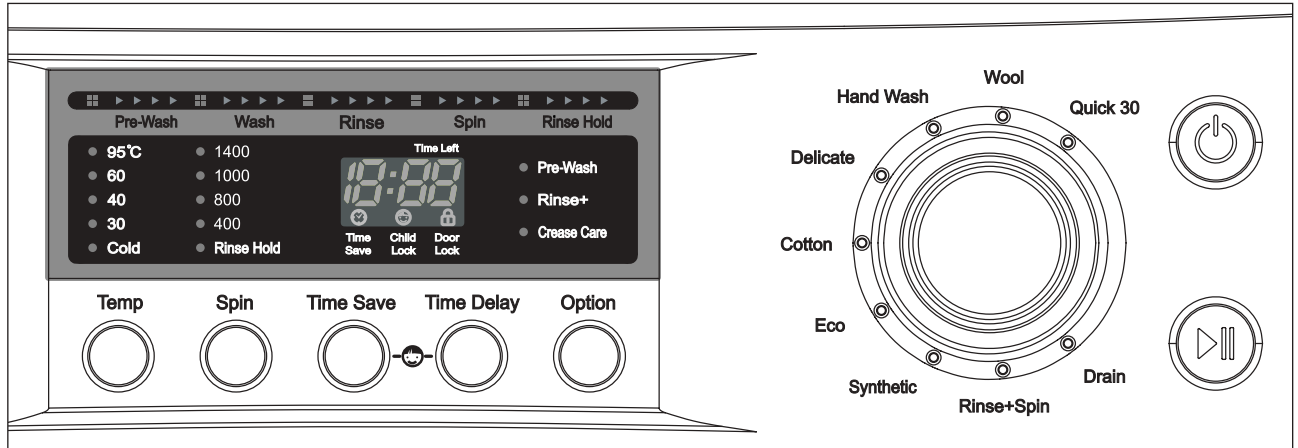
■ DWD-FD141X SERIES










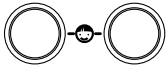
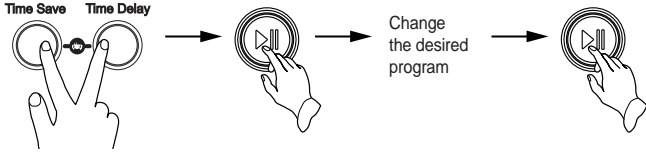
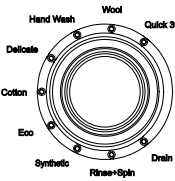
	<p>Power Button Press this button to turn the power ON or OFF.</p>
	<p>Start/Hold Button This button is use to start wash cycle or stop temporarily. When you want to change program in operating, press this button.</p>
 Temp	<p>Temperature Button This button can be used to adjust temperature of water according to types of the load to be washed.</p>
 Spin	<p>Spin Speed Button By pressing this button, the spin speed can be chosen.</p> <p>Rinse Hold This function leaves clothes in the machine suspended in the water after a rinse without entering into spin.</p> <p>Spin only If you want only spin, you can operate spin only.</p>
 Option	<p>Option Button By pressing this button, all option functions may be selected.</p> <p>Pre-Wash If the laundry is heavily soiled, Pre-Wash course is effective. Pre-Wash is available in Cotton and Synthetic.</p> <p>Rinse+ By selecting Rinse+ function, the rinse time and the rinse water are increased.</p> <p>Crease Care If you want to prevent crease, select this button with spin speed.</p>

 <p>Time Save</p>	<p>Time Save Button</p> <p>By pressing this button, you can decrease pre-set washing time to 10 minutes. Time save is available in Cotton, Eco and Synthetic.</p>
 <p>Time Delay</p>	<p>Time Delay Button</p> <p>If you want to reserve the finishing time of washing, use this button. If the Time Delay button is pressed, "2:00" is displayed. The maximum delayed time is 12:00 hours and the minimum time is 2:00 hours. Each pressing of the button advances on time delay by one hour.</p>
 <p>Time Save Time Delay</p>	<p>Child Lock Button</p> <p>If you want to protect any accident occurring from handling of washer by a child, use this function.</p> <p>Child Lock can be set by pressing "Time Save" and "Time Delay" buttons simultaneously during 2~3seconds.</p> <p><i>*When Child Lock is set, no button functions except Power button.</i></p> <p>To cancel Child Lock, press "Time Save" and "Time Delay" buttons simultaneously again.</p> <p>To change to the desired program, while in child lock mode.</p> <ol style="list-style-type: none"> 1. Press both "Time Save" and "Time Delay" buttons together once again. 2. Press the Start/Hold button. 3. Select the desired program and press the Start/Hold button again. 
	<p>Program Dial</p> <p>When Start/Hold button is pressed, the Cotton program is automatically selected. By turning the Program Dial, the program is selected in order of "Cotton↔Delicate ↔Hand Wash↔Wool↔Quick 30↔Drain↔Rinse+Spin↔Synthetic↔Eco"</p>

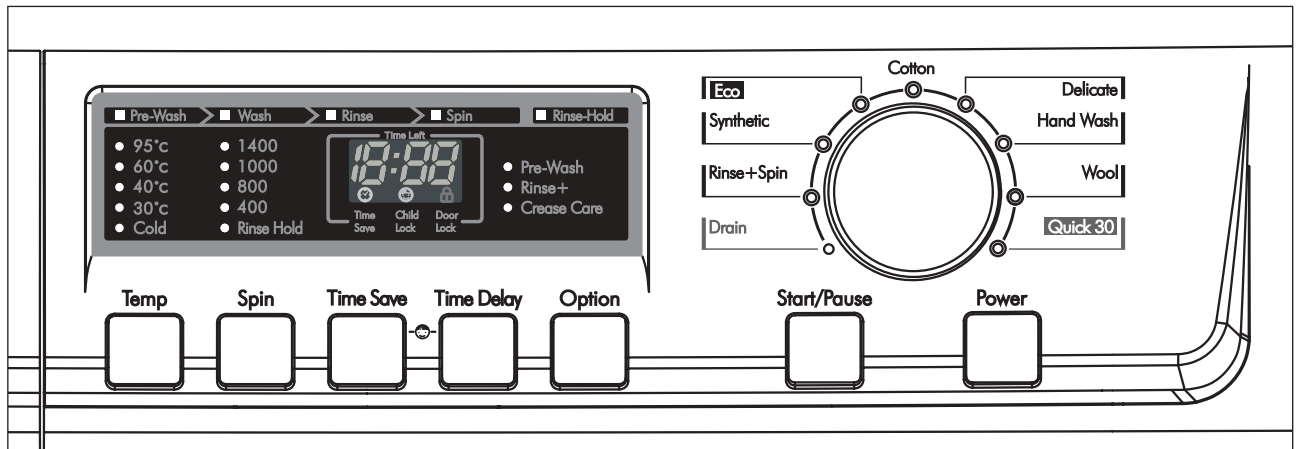
■ DWD-FD142X SERIES










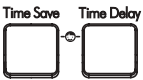
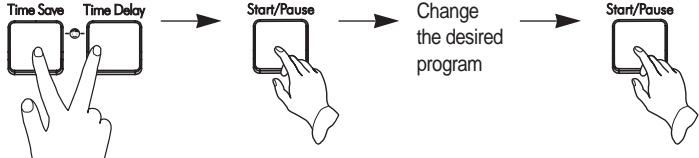
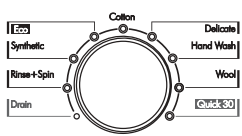
	<p>Power Button Press this button to turn the power ON or OFF.</p>
	<p>Start/Hold Button This button is use to start wash cycle or stop temporarily. When you want to change program in operating, press this button.</p>
<p>Temp</p> 	<p>Temperature Button This button can be used to adjust temperature of water according to types of the load to be washed.</p>
<p>Spin</p> 	<p>Spin Speed Button By pressing this button, the spin speed can be chosen.</p> <p>Rinse Hold This function leaves clothes in the machine suspended in the water after a rinse without entering into spin.</p> <p>Spin only If you want only spin, you can operate spin only.</p>
<p>Option</p> 	<p>Option Button By pressing this button, all option functions may be selected.</p> <p>Pre-Wash If the laundry is heavily soiled, Pre-Wash course is effective. Pre-Wash is available in Cotton and Synthetic.</p> <p>Rinse+ By selecting Rinse+ function, the rinse time and the rinse water are increased.</p> <p>Crease Care If you want to prevent crease, select this button with spin speed.</p>

<p>Time Save</p> 	<p>Time Save Button</p> <p>By pressing this button, you can decrease pre-set washing time to 10 minutes. Time save is available in Cotton, Eco and Synthetic.</p>
<p>Time Delay</p> 	<p>Time Delay Button</p> <p>If you want to reserve the finishing time of washing, use this button. If the Time Delay button is pressed, "2:00" is displayed. The maximum delayed time is 12:00 hours and the minimum time is 2:00 hours. Each pressing of the button advances on time delay by one hour.</p>
<p>Time Save Time Delay</p> 	<p>Child Lock Button</p> <p>If you want to protect any accident occurring from handling of washer by a child, use this function.</p> <p>Child Lock can be set by pressing "Time Save" and "Time Delay" buttons simultaneously during 2~3seconds.</p> <p><i>*When Child Lock is set, no button functions except Power button.</i></p> <p>To cancel Child Lock, press "Time Save" and "Time Delay" buttons simultaneously again.</p> <p>To change to the desired program, while in child lock mode.</p> <ol style="list-style-type: none"> 1. Press both "Time Save" and "Time Delay" buttons together once again. 2. Press the Start/Hold button. 3. Select the desired program and press the Start/Hold button again. 
	<p>Program Dial</p> <p>When Start/Hold button is pressed, the Cotton program is automatically selected. By turning the Program Dial, the program is selected in order of "Cotton↔Delicate ↔Hand Wash↔Wool↔Quick 30↔Drain↔Rinse+Spin↔Synthetic↔Eco"</p>

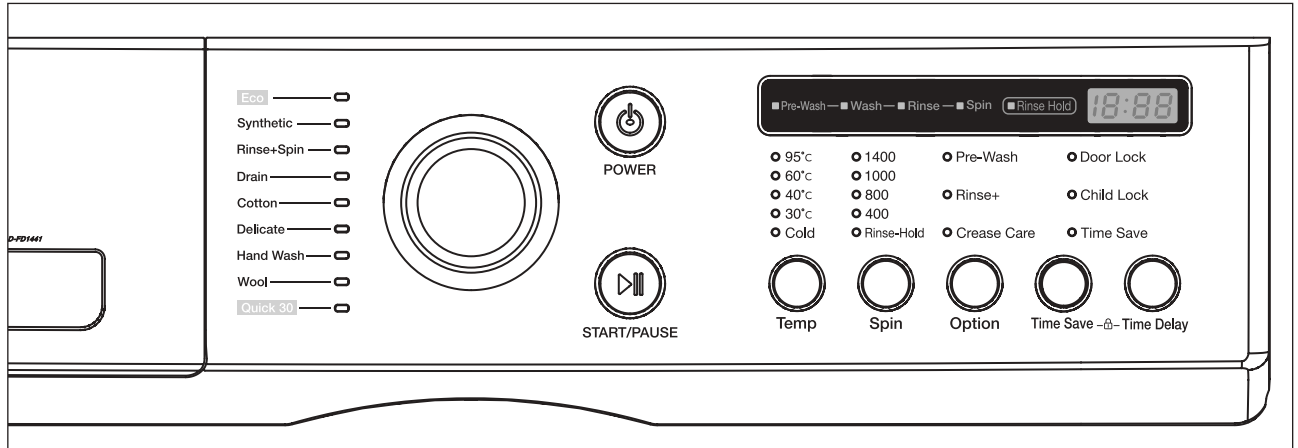
■ DWD-FD143X SERIES











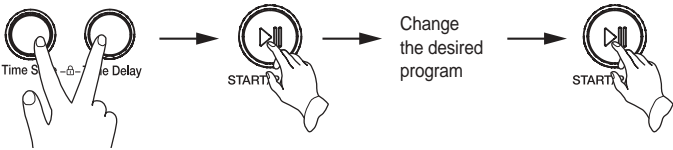
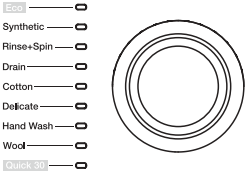
	<p>Power Button Press this button to turn the power ON or OFF.</p>
	<p>Start/Pause Button This button is use to start wash cycle or stop temporarily. When you want to change program in operating, press this button.</p>
	<p>Temperature Button This button can be used to adjust temperature of water according to types of the load to be washed.</p>
	<p>Spin Speed Button By pressing this button, the spin speed can be chosen.</p> <p>Rinse Hold This function leaves clothes in the machine suspended in the water after a rinse without entering into spin.</p> <p>Spin only If you want only spin, you can operate spin only.</p>
	<p>Option Button By pressing this button, all option functions may be selected.</p> <p>Pre-Wash If the laundry is heavily soiled, Pre-Wash course is effective. Pre-Wash is available in Cotton and Synthetic.</p> <p>Rinse+ By selecting Rinse+ function, the rinse time and the rinse water are increased.</p> <p>Crease Care If you want to prevent crease, select this button with spin speed.</p>

	<p>Time Save Button</p> <p>By pressing this button, you can decrease pre-set washing time to 10 minutes. Time save is available in Cotton, Eco and Synthetic.</p>
	<p>Time Delay Button</p> <p>If you want to reserve the finishing time of washing, use this button. If the Time Delay button is pressed, "2:00" is displayed. The maximum delayed time is 12:00 hours and the minimum time is 2:00 hours. Each pressing of the button advances on time delay by one hour.</p>
	<p>Child Lock Button</p> <p>If you want to protect any accident occurring from handling of washer by a child, use this function.</p> <p>Child Lock can be set by pressing "Time Save" and "Time Delay" buttons simultaneously during 2~3seconds.</p> <p><i>*When Child Lock is set, no button functions except Power button.</i></p> <p>To cancel Child Lock, press "Time Save" and "Time Delay" buttons simultaneously again.</p> <p>To change to the desired program, while in child lock mode.</p> <ol style="list-style-type: none"> 1. Press both "Time Save" and "Time Delay" buttons together once again. 2. Press the Start/Pause button. 3. Select the desired program and press the Start/Pause button again. 
	<p>Program Dial</p> <p>When Start/Pause button is pressed, the Cotton program is automatically selected. By turning the Program Dial, the program is selected in order of "Cotton↔Delicate ↔Hand Wash↔Wool↔Quick 30↔Drain↔Rinse+Spin↔Synthetic↔Eco"</p>

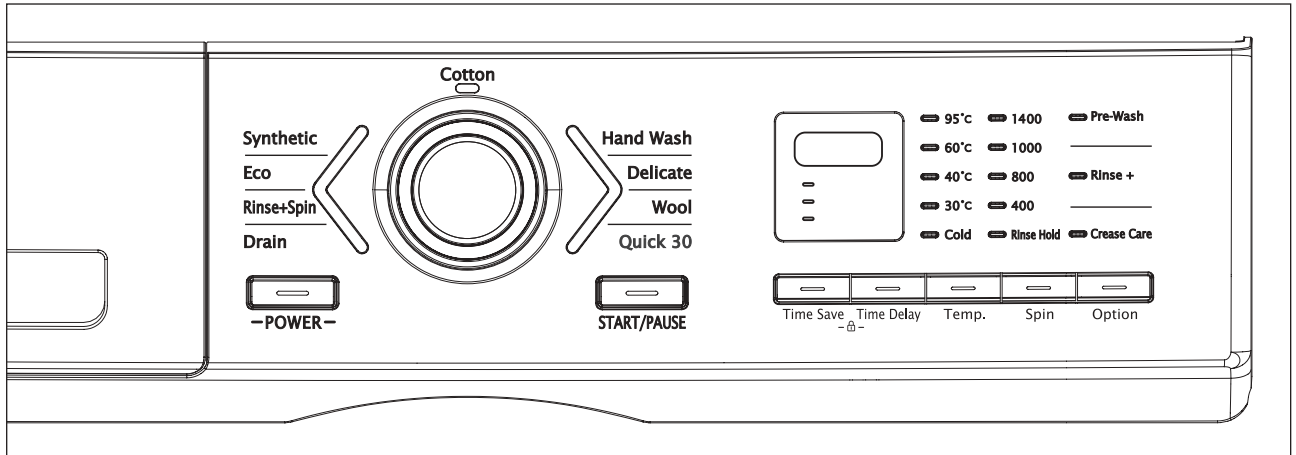
■ DWD-FD144X SERIES



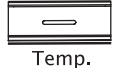
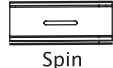





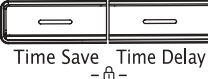
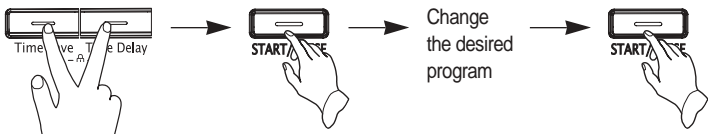
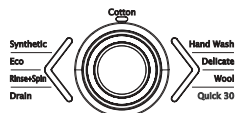
 <p>POWER</p>	<p>Power Button Press this button to turn the power ON or OFF.</p>
 <p>START/PAUSE</p>	<p>Start/Pause Button This button is use to start wash cycle or stop temporarily. When you want to change program in operating, press this button.</p>
 <p>Temp</p>	<p>Temperature Button This button can be used to adjust temperature of water according to types of the load to be washed.</p>
 <p>Spin</p>	<p>Spin Speed Button By pressing this button, the spin speed can be chosen.</p> <p>Rinse Hold This function leaves clothes in the machine suspended in the water after a rinse without entering into spin.</p> <p>Spin only If you want only spin, you can operate spin only.</p>
 <p>Option</p>	<p>Option Button By pressing this button, all option functions may be selected.</p> <p>Pre-Wash If the laundry is heavily soiled, Pre-Wash course is effective. Pre-Wash is available in Cotton and Synthetic.</p> <p>Rinse+ By selecting Rinse+ function, the rinse time and the rinse water are increased.</p> <p>Crease Care If you want to prevent crease, select this button with spin speed.</p>

 <p>Time Save</p>	<p>Time Save Button</p> <p>By pressing this button, you can decrease pre-set washing time to 10 minutes. Time save is available in Cotton, Eco and Synthetic.</p>
 <p>Time Delay</p>	<p>Time Delay Button</p> <p>If you want to reserve the finishing time of washing, use this button. If the Time Delay button is pressed, '2:00' is displayed. The maximum delayed time is 12:00 hours and the minimum time is 2:00 hours. Each pressing of the button advances on time delay by one hour.</p>
 <p>Time Save -> Time Delay</p>	<p>Child Lock Button</p> <p>If you want to protect any accident occurring from handling of washer by a child, use this function.</p> <p>Child Lock can be set by pressing 'Time Save' and 'Time Delay' buttons simultaneously during 2~3seconds.</p> <p><i>*When Child Lock is set, no button functions except Power button.</i></p> <p>To cancel Child Lock, press 'Time Save' and 'Time Delay' buttons simultaneously again.</p> <p>To change to the desired program, while in child lock mode.</p> <ol style="list-style-type: none"> 1. Press both 'Time Save' and 'Time Delay' buttons together once again. 2. Press the Start/Pause button. 3. Select the desired program and press the Start/Pause button again. 
 <p>Eco Synthetic Rinse+Spin Drain Cotton Delicate Hand Wash Wool Quick 30</p>	<p>Program Dial</p> <p>When Start/Pause button is pressed, the Cotton program is automatically selected. By turning right the Program Dial, the program is selected in order of 'Cotton ↔ Drain ↔ Rinse+Spin ↔ Synthetic ↔ Eco ↔ Quick 30 ↔ Wool ↔ Hand Wash ↔ Delicate'</p>

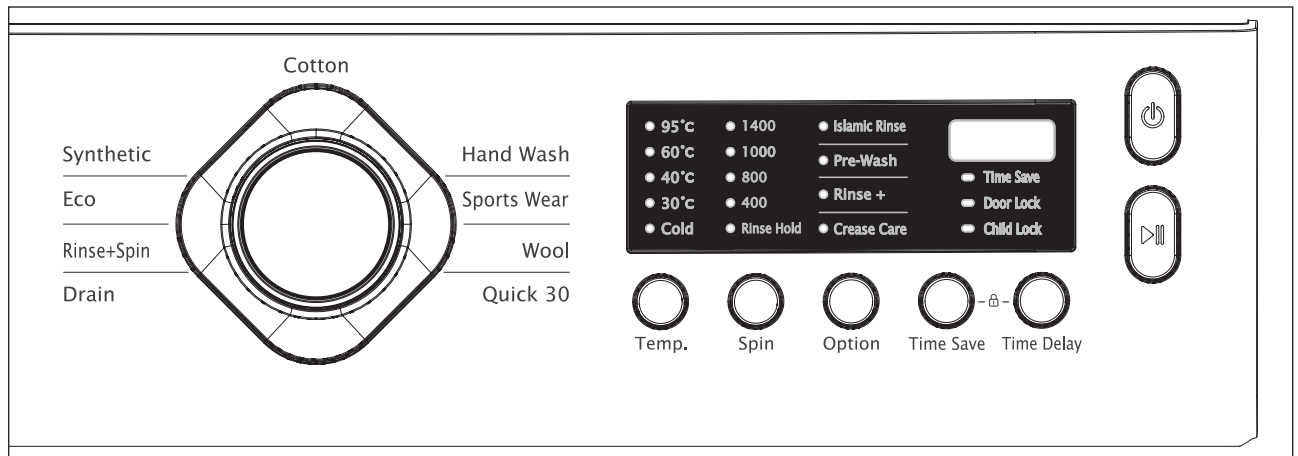
■ DWD-FD145X SERIES











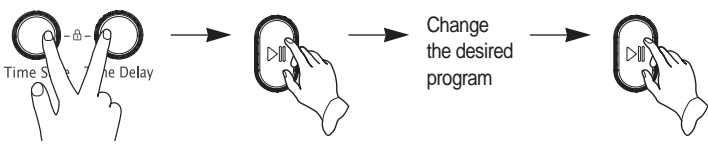
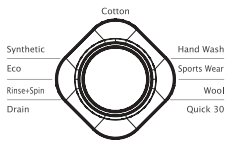
	<p>Power Button Press this button to turn the power ON or OFF.</p>
	<p>Start/Pause Button This button is use to start wash cycle or stop temporarily. When you want to change program in operating, press this button.</p>
	<p>Temperature Button This button can be used to adjust temperature of water according to types of the load to be washed.</p>
	<p>Spin Speed Button By pressing this button, the spin speed can be chosen.</p> <p>Rinse Hold This function leaves clothes in the machine suspended in the water after a rinse without entering into spin.</p> <p>Spin only If you want only spin, you can operate spin only.</p>
	<p>Option Button By pressing this button, all option functions may be selected.</p> <p>Pre-Wash If the laundry is heavily soiled, Pre-Wash course is effective. Pre-Wash is available in Cotton and Synthetic.</p> <p>Rinse+ By selecting Rinse+ function, the rinse time and the rinse water are increased.</p> <p>Crease Care If you want to prevent crease, select this button with spin speed.</p>

 <p>Time Save</p>	<p>Time Save Button</p> <p>By pressing this button, you can decrease pre-set washing time to 10 minutes. Time save is available in Cotton, Eco and Synthetic.</p>
 <p>Time Delay</p>	<p>Time Delay Button</p> <p>If you want to reserve the finishing time of washing, use this button. If the Time Delay button is pressed, '2:00' is displayed. The maximum delayed time is 12:00 hours and the minimum time is 2:00 hours. Each pressing of the button advances on time delay by one hour.</p>
 <p>Time Save Time Delay</p>	<p>Child Lock Button</p> <p>If you want to protect any accident occurring from handling of washer by a child, use this function. Child Lock can be set by pressing 'Time Save' and 'Time Delay' buttons simultaneously during 2~3seconds.</p> <p><i>* When Child Lock is set, no button functions except Power button.</i></p> <p>To cancel Child Lock, press 'Time Save' and 'Time Delay' buttons simultaneously again.</p> <p>To change to the desired program, while in child lock mode.</p> <ol style="list-style-type: none"> 1. Press both 'Time Save' and 'Time Delay' buttons together once again. 2. Press the Start/Pause button. 3. Select the desired program and press the Start/Pause button again. 
	<p>Program Dial</p> <p>When Start/Pause button is pressed, the Cotton program is automatically selected. By turning right the Program Dial, the program is selected in order of 'Cotton ↔ Hand Wash ↔ Delicate ↔ Wool ↔ Quick 30 ↔ Drain ↔ Rinse+Spin ↔ Eco ↔ Synthetic'.</p>

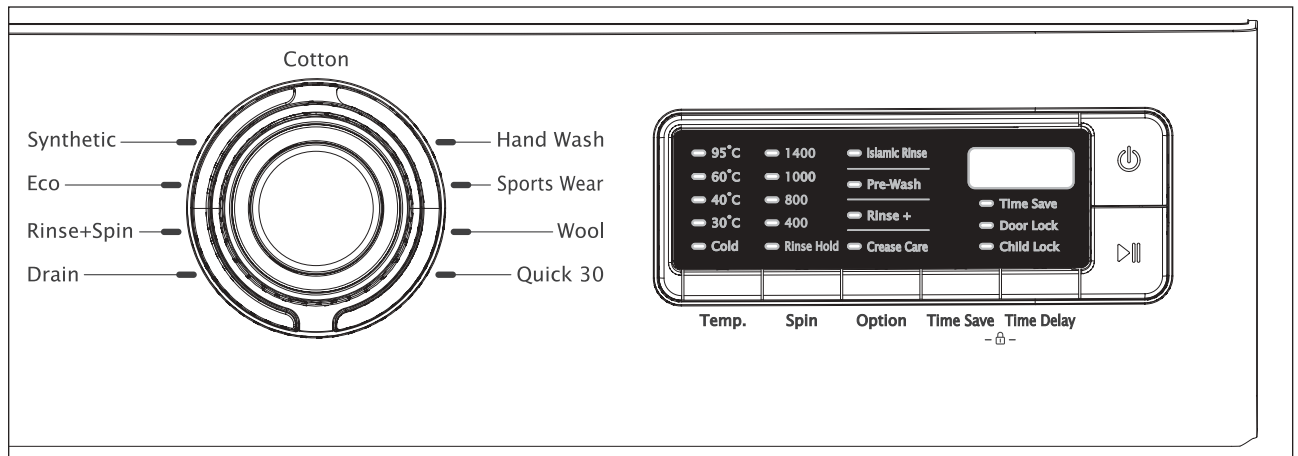
■ DWD-F146X SERIES



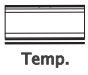
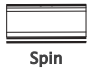
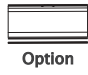






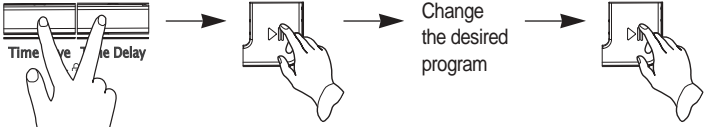
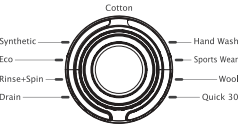
	<p>Power Button Press this button to turn the power ON or OFF.</p>
	<p>Start/Pause Button This button is use to start wash cycle or stop temporarily. When you want to change program in operating, press this button.</p>
 <p>Temp.</p>	<p>Temperature Button This button can be used to adjust temperature of water according to types of the load to be washed.</p>
 <p>Spin</p>	<p>Spin Speed Button By pressing this button, the spin speed can be chosen.</p> <p>Rinse Hold This function leaves clothes in the machine suspended in the water after a rinse without entering into spin.</p> <p>Spin only If you want only spin, you can operate spin only.</p>
 <p>Option</p>	<p>Option Button By pressing this button, all option functions may be selected.</p> <p>Pre-Wash If the laundry is heavily soiled, Pre-Wash course is effective. Pre-Wash is available in Cotton and Synthetic programs.</p> <p>Rinse+ By selecting Rinse+ function, the rinse time and the rinse water are increased.</p> <p>Crease Care If you want to prevent crease, select this button with spin speed.</p> <p>Islamic Rinse (Option) By selecting Islamic Rinse function, the washer operates two additional rinse times (Islamic Rinse process) after the basic rinse process. If the laundry is foamy fabric(muslim clothes, etc.), Islamic Rinse function is effective.</p> <p>Water+ (Option) If you want to use more water, press this button . By selecting Water+ option, the water add more than setting water level on rinse process.</p>

 <p>Time Save</p>	<p>Time Save Button</p> <p>By pressing this button, you can decrease pre-set washing time to 10 minutes. Time save is available in Cotton, Eco and Synthetic.</p>
 <p>Time Delay</p>	<p>Time Delay Button</p> <p>If you want to reserve the finishing time of washing, use this button. If the Time Delay button is pressed, '2:00' is displayed. The maximum delayed time is 12:00 hours and the minimum time is 2:00 hours. Each pressing of the button advances on time delay by one hour.</p>
 <p>Time Save Time Delay</p>	<p>Child Lock Button</p> <p>If you want to protect any accident occurring from handling of washer by a child, use this function.</p> <p>Child Lock can be set by pressing 'Time Save' and 'Time Delay' buttons simultaneously during 2~3seconds.</p> <p><i>* When Child Lock is set, no button functions except Power button.</i></p> <p>To cancel Child Lock, press 'Time Save' and 'Time Delay' buttons simultaneously again.</p> <p>To change to the desired program, while in child lock mode.</p> <ol style="list-style-type: none"> 1. Press both 'Time Save' and 'Time Delay' buttons together once again. 2. Press the Start/Pause button. 3. Select the desired program and press the Start/Pause button again. 
	<p>Program Dial</p> <p>When Start/Pause button is pressed, the Cotton program is automatically selected. By turning right the Program Dial, the program is selected in order of 'Cotton ↔ Hand Wash ↔ Sports Wear ↔ Wool ↔ Quick 30 ↔ Drain ↔ Rinse+Spin ↔ Eco ↔ Synthetic'.</p>

■ DWD-F147X SERIES



	<p>Power Button Press this button to turn the power ON or OFF.</p>
	<p>Start/Pause Button This button is use to start wash cycle or stop temporarily. When you want to change program in operating, press this button.</p>
 <p>Temp.</p>	<p>Temperature Button This button can be used to adjust temperature of water according to types of the load to be washed.</p>
 <p>Spin</p>	<p>Spin Speed Button By pressing this button, the spin speed can be chosen.</p> <p>Rinse Hold This function leaves clothes in the machine suspended in the water after a rinse without entering into spin.</p> <p>Spin only If you want only spin, you can operate spin only.</p>
 <p>Option</p>	<p>Option Button By pressing this button, all option functions may be selected.</p> <p>Pre-Wash If the laundry is heavily soiled, Pre-Wash course is effective. Pre-Wash is available in Cotton and Synthetic programs.</p> <p>Rinse+ By selecting Rinse+ function, the rinse time and the rinse water are increased.</p> <p>Crease Care If you want to prevent crease, select this button with spin speed.</p> <p>Islamic Rinse (Option) By selecting Islamic Rinse function, the washer operates two additional rinse times (Islamic Rinse process) after the basic rinse process. If the laundry is foamy fabric(muslim clothes, etc.), Islamic Rinse function is effective.</p> <p>Water+ (Option) If you want to use more water, press this button . By selecting Water+ option, the water add more than setting water level on rinse process.</p>

 <p>Time Save</p>	<p>Time Save Button</p> <p>By pressing this button, you can decrease pre-set washing time to 10 minutes. Time save is available in Cotton, Eco and Synthetic.</p>
 <p>Time Delay</p>	<p>Time Delay Button</p> <p>If you want to reserve the finishing time of washing, use this button. If the Time Delay button is pressed, '2:00' is displayed. The maximum delayed time is 12:00 hours and the minimum time is 2:00 hours. Each pressing of the button advances on time delay by one hour.</p>
 <p>Time Save Time Delay -  -</p>	<p>Child Lock Button</p> <p>If you want to protect any accident occurring from handling of washer by a child, use this function.</p> <p>Child Lock can be set by pressing 'Time Save' and 'Time Delay' buttons simultaneously during 2~3seconds.</p> <p><i>* When Child Lock is set, no button functions except Power button.</i></p> <p>To cancel Child Lock, press 'Time Save' and 'Time Delay' buttons simultaneously again.</p> <p>To change to the desired program, while in child lock mode.</p> <ol style="list-style-type: none"> 1. Press both 'Time Save' and 'Time Delay' buttons together once again. 2. Press the Start/Pause button. 3. Select the desired program and press the Start/Pause button again. 
	<p>Program Dial</p> <p>When Start/Pause button is pressed, the Cotton program is automatically selected. By turning right the Program Dial, the program is selected in order of 'Cotton ↔ Hand Wash ↔ Sports Wear ↔ Wool ↔ Quick 30 ↔ Drain ↔ Rinse+Spin ↔ Eco ↔ Synthetic'.</p>

7. FUNCTIONS OF THE CONTROLLER

Sequence Chart

Division		Progress Time	Cotton		Sythetic		Eco	
			Small	Low	Small	Low	Small	Low
PRE WASH	Sensing	20sec.						
	Water Supply	2min.						
	Pre Wash	10min.						
		8min.						
	Drain	1min.						
	B-Spin	1min.						
Middle Spin	3min.							
MAIN WASH	Sensing	20sec.	■	■	■	■	■	■
	Water Supply	2min.	■	■	■	■	■	■
	Wash 1 (Heating)	90min.						
		35min.						
		30min.						
		20min.						
Wash 2	15min.	■	■	■	■	■	■	
	63min.							
	23min.	■	■	■	■	■	■	
	13min.	■	■	■	■	■	■	
RINSE	Drain	1min.	■	■	■	■	■	■
	B-Spin	1min.	■	■	■	■	■	■
	Middle Spin	4min.	■	■	■	■	■	■
	Water Supply	2min.	■	■	■	■	■	■
	Rinse 1	3min.	■	■	■	■	■	■
	Drain	1min.	■	■	■	■	■	■
	B-Spin	1min.	■	■	■	■	■	■
	Middle Spin	4min.	■	■	■	■	■	■
	Water Supply	2min.	■	■	■	■	■	■
	Rinse 2	3min.	■	■	■	■	■	■
	Drain	1min.	■	■	■	■	■	■
	B-Spin	1min.	■	■	■	■	■	■
	Middle Spin	4min.	■	■	■	■	■	■
	Water Supply	2min.	■	■	■	■	■	■
Rinse 3	3min.	■	■	■	■	■	■	
SPIN	Drain	1min.	■	■	■	■	■	■
	B-Spin	1min.	■	■	■	■	■	■
	Main Spin	7min.	■	■	■	■	■	■
		5min.	■	■	■	■	■	■
	3min.	■	■	■	■	■	■	
END	Untangle	2min.	■	■	■	■	■	■
	End	10sec.	■	■	■	■	■	■
Remained Time Display			1:25	1:30	1:25	1:30	1:40	1:45

NOTE

- The washing time may vary by the amount of laundry, water pressure, water temperature and other washing conditions. If an unbalanced load is detected or if suds removing program operates, the washing time maybe extended. (Maximum increasing time is about 1 hour.)
- Spin speed 825 rpm is selected automatically with Cotton, Synthetic and Eco courses.

Division	Progress Time	Wool	Delicate	Sports wear	Hand wash	Quick 30	Rinse + Spin	
		Small	1X~5X Small	6X,7X Small	Small	Small	Low	
M A I N W A S H	Soak	30min.						
	Water Supply	2min.	■	■	■	■ (1min.)		
	Wash 1 (Heating)	60min.						
		50min.						
		35min.						
		30min.						
	5min.					■		
Wash 2	20min.	■	■	(13min.)	■			
	10min.	■	■	■	■			
	5min.	■	■	■	■	■		
R I N S E	Drain	1min.	■	■	■	■	■	
	B-Spin	1min.	■	■	■	■	■	
	Middle Spin	4min.	■	■	■	■	■	
	Water Supply	2min.	■	■	■	■ (1min.)	■	
	Rinse 1	3min.	■	■	■	■	■	
	Drain	1min.	■	■	■	■		
	B-Spin	1min.	■	■	■	■		
	Middle Spin	4min.	■	■	■	■		
	Water Supply	2min.	■	■	■	■ (1min.)		
	Rinse 2	3min.	■	■	■	■		
	Drain	1min.				■		
	B-Spin	1min.				■		
	Middle Spin	4min.				■		
	Water Supply	2min.				■		
	Rinse 3	3min.				■		
S P I N	Drain	1min.	■	■	■	■	■	
	B-Spin	1min.	■	■	■	■	■	
	Main Spin	7min.	■	■	■	■	■	
		5min.	■	■	■	■	■	
3min.	■	■	■	■	■	■		
END	Untangle	2min.	■	■	■	■	■	
	End	10sec.	■	■	■	■	■	
Remained Time Display			56	56	49	57	33	23

NOTE

- The washing time may vary by the amount of laundry, water pressure, water temperature and other washing conditions. If an unbalanced load is detected or if suds removing program operates, the washing time may be extended. (Maximum increasing time is about 1 hour.)
- After the rinse progress in Quick30 course, the washer operating drain progress only without middle spin progress.
- Spin speed 450 rpm is selected automatically with Wool, Delicate(Sports Wear) and Hand Wash courses.
- Apply 'Delicate' course : DWD-FD141X ~ DWD-FD145X models.
Apply 'Sports Wear' course : DWD-FD146X, DWD-FD147X models.

Sequence Chart (for apply 'Islamic Rinse' option)

Example) Apply 'Islamic Rinse' option with Cotton/Normal course.

Division		Progress Time	Cotton/Normal		Islamic Rinse Option					
			S (A)	L (B)	S (a)	L (b)				
MAIN WASH	Sensing	20sec.	■	■	Same as 'A'	Same as 'B'				
	Water Supply	2min.	■	■						
	Wash 1 (Heating)	30min.	15min.				■			
			10min.	■			■			
			63min.							
	Wash 2	23min.	13min.	■			■			
RINSE	Drain	1min.	■	■	Same as 'A'	Same as 'B'				
	B-Spin	1min.	■	■						
	Middle Spin	4min.	■	■						
	Water Supply	2min.	■	■						
	Rinse 1	3min.	■	■						
	Drain	1min.		■	■	Same as 'A'	Same as 'B'			
			B-Spin	1min.	■			■		
			Middle Spin	4min.	■			■		
			Water Supply	2min.	■			■		
			Rinse 2	3min.	■			■		
	Drain	1min.		■	■	Same as 'A'	Same as 'B'			
			B-Spin	1min.	■			■		
			Middle Spin	4min.	■			■		
			Water Supply	2min.	■			■		
			Rinse 3	3min.	■			■		
Islamic Rinse 1	Drain	1min.			■	■				
	Water Supply	2min.			■	■				
	Rinse (with Water Supply and Drain)	3min.			■	■				
	B-Spin	1min.			■	■				
	Middle Spin	4min.			■	■				
Islamic Rinse 2	Water Supply	2min.			■	■				
	Rinse (with Water Supply and Drain)	3min.			■	■				
SPIN	Drain	1min.	■	■	Same as 'A'	Same as 'B'				
	B-Spin	1min.	■	■						
	Main Spin	7min.	5min.	■			■			
			3min.	■			■			
END	Untangle	2min.	■	■						
	End	10sec.	■	■						
Remained Time Display			1:25	1:30	1:41	1:46				

NOTE

- Islamic Rinse is available in Cotton, Synthetic, Hand Wash and Sports Wear programs.
- By selecting Islamic Rinse function, the washer operates two additional rinse times (Islamic Rinse process 1 and 2) after the basic rinse process. And then the washing time will be extended about 16 minutes.

8. FUNCTION OF THE CONVENIENT SERVICE

■ The test mode of the operation

You can check the PCB AS and the operation of the washing machine simply.

• The method to test and operate

- ① Press the Power button.
- ② Press the Option button 3 times while press the Temp button.
At this time, the version is displayed on the Custom LED
- ③ Whenever the Time Delay button is pressed, the washing machine is operated as following.
L_C (Lock Switch Close) → run/OO (The number of running times)
→ E5/OO → E6/OO → E7/OO → E8/OO (The number of the error occurrence)
→ H (Hot Valve) → C (Cold Valve) → P (Pre-Wash Valve)
→ bb (Bubble) → dr (Drain Pump)
→ C:H or C:-- (Cold & Hot Option)
→ nPC or PC or etc. (PCB Option) → L_O (Lock Switch Open)
→ L_C → ... (repetition)

■ The check mode of the water level frequency

You can check the water level frequency of the current state and the frequency by the variation of the water level.

• The method to test and operate

- ① Press the Power button.
- ② Press the Time Delay button 3 times while press the Temp button and the Spin button.
- ③ The water level frequency of the current state displays on "18:88 LED".

ex) **5 6 2** = 25.62kHz

: It display three number except the first number of 25.62kHz

- ④ Whenever the Temp button is pressed, the washing machine is operated as following.
Cold Valve Off (Initial state)
→ Cold Valve On
→ Hot Valve On
→ Pre-Wash Valve On
→ Bubble Pump On
→ Drain Pump On
→ ... (repetition)

■ The spinning test mode

You can continually spin the washing machine with constant speed.

• The method to test and operate

- ① Press the Power button.
- ② Press the Time Save button 3 times while press Temp button.
- ③ '400' displays on '18:88 LED'. 400 means the spinning rpm.
You can adjust the spinning rpm by pressing Spin button.
And this value increases by 20 up to 1520.
- ④ When press Start button, the washing machine continually operates with given spinning rpm.

■ The durability test mode

You can repetitively operate the washing machine with one course.

• The method to test and operate

- ① Press the Power button.
- ② Press the Time Delay button 3 times while press Temp button.
- ③ 'd3' displays on '18:88 LED'. You can select the course by using Program Dial, Temp button, Spin button, Option and Time Save button.
- ④ When press Start button, the washing machine repetitively operates with selected course.

9. TROUBLESHOOTING GUIDE

This washing machine is equipped with automatic safety function which detect and diagnose faults at an early stage and react appropriately.

When the machine does not function properly or does not function at all, check the following points.

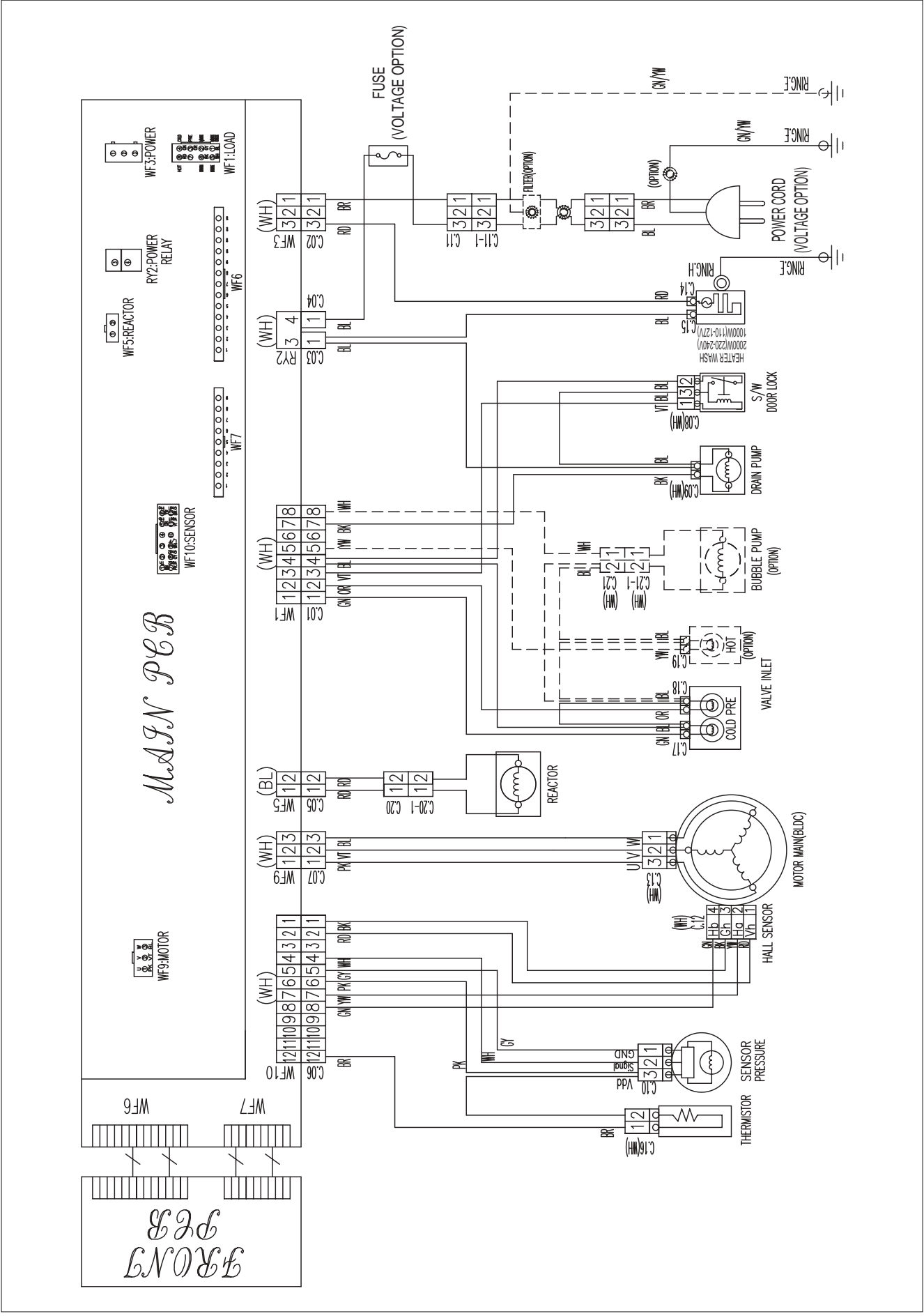
SYMPTOM	CAUSE	SOLUTION
Rattling and clanking noise.	Foreign objects such as coins or safety pins maybe in the drum or pump.	Stop washer and check drum and filter.
Thumping sound.	Heavy wash loads may produce a thumping sound. This is usually normal.	If sound continues, washer is probably out of balance. Stop and redistribute wash load.
Vibrating noise.	Have all the transit bolts and packing been removed?	If not removed during installation, refer to installation guide for removing transit bolts.
	Are all the feet resting firmly on the ground?	Wash load may be unevenly distributed in drum. Stop washer and rearrange wash load.
Water leaks.	Inlet hoses or drain hose are loose at tap or washer.	Check and tighten hose connections.
	House drain pipes are clogged.	Unclog drain pipe. Contact plumber if necessary.
Oversudsing.		Too much detergent or unsuitable detergent may cause excessive foaming which may result in water leaks.
Water does not enter washer or it enters slowly.	Water supply is not adequate in area.	Check another tap in the inlet house.
	Water supply tap is not completely open.	Fully open tap.
	Water inlet hose is kinked.	Straighten hose.
	The filter of the water inlet is clogged.	Check the filter of the water inlet.
Water in the washer does not drain or drains slowly.	Drain hose is kinked or clogged.	Clean and straighten drain hose.
	The drain filter is clogged.	Clean the drain filter.

SYMPTOM	CAUSE	SOLUTION
Washer does not start.	Electronical power cord may not be plugged in or connection may be loose.	Make sure plug fits tightly in wall outlet.
	House fuse blown, circuit breaker tripped, or a power outage has occurred.	Reset circuit breaker or replace fuse. Do not increase fuse capacity. If problem is a circuit overload, have it corrected by a qualified electrician.
	Water supply tap is not turned on.	Turn on water supply tap.
Washer will not spin.	Check that the door is firmly shut.	Close the door and press the Start/Pause button. After pressing the Start/Pause button, it may take a few moments before the clothes washer begins to spin. The door must lock before spin can be achieved.
Door does not open.		Once started, the door can not be opened for safety reasons. Wait two minutes before opening the door to give the electric locking mechanism time to release.
Wash cycle time delayed.		The washing time may vary by the amount of laundry, water pressure, water temperature and other usage conditions. If the imbalance is detected, the wash time shall be increased.
The washer will stop during spinning . Spinning is insufficient.	PFE error due to much detergent and unsuitable detergent.	If PFE error mode was displayed on the control part, in order to solve this problem, first turn off the power of the washing machine, second turn on the power pressing Power button, third press SPIN button and last press Start/Pause button.

MESSAGE	ERROR	CAUSE	SOLUTION
IE	WATER INLET ERROR	The water tap is closed.	Open the water tap.
		The filter of the valve inlet is clogged.	Clean the filter of the valve inlet.
		The valve inlet is an inferior product or broke down.	Change the valve inlet.
		The water level sensor (sensor pressure) is an inferior product or broke down.	Change the water level sensor (sensor pressure).
		The drain motor works during water supply.	Change the drain motor.
		The PCB ASS'Y does not check the water level.	Change the PCB ASS'Y.
OE	DRAIN ERROR	The drain hose is kinked or clogged.	Clean and straighten the drain hose.
		The drain motor is an inferior product.	Change the drain motor.
		The valve inlet works during drain.	Change the valve inlet.
		The water level sensor is an inferior product.	Change the water level sensor.
		The PCB ASS'Y does not check the water level.	Change the PCB ASS'Y.
UE	UNBALANCE ERROR	The laundry is concentrated to one side of the drum during spin.	Rearrange the laundry.
LE	DOOR OPEN ERROR	The Start/Pause button is pressed while the door is opened.	Close the door.
		The switch door lock is an inferior product.	Change the switch door lock.
		The PCB ASS'Y does not check the door lock.	Change the PCB ASS'Y.
E2	OVERFLOW ERROR	The water is supplied continuously due to an inferior valve inlet.	Change the valve inlet.
		The valve inlet is normal, but the water level sensor (sensor pressure) is inferior.	Change the water level sensor (sensor pressure).
		The drain motor does not work. (The drain motor is an inferior product or broke down.)	Change the drain motor.
E4	LEAKAGE ERROR	Water leaks from the tub or the hose drain.	Check the leak of the tub or the hose drain. Then change the tub or the hose drain.
E5	HIGH VOLTAGE ERROR	The laundry is jammed between the gasket and the drum.	Rearrange the laundry.
		The PCB ASS'Y is an inferior product.	Change the PCB ASS'Y.
E6	EMG ERROR	The laundry is jammed between the gasket and the drum.	Rearrange the laundry.
		The motor is an inferior product.	Change the motor.
		The PCB ASS'Y is an inferior product.	Change the PCB ASS'Y.
E8	MOTOR ERROR	The motor is not normally connected.	Check the connector of the motor.
		The motor does not work. (The motor is an inferior product or broke down.)	Change the motor.
E9	SENSOR PRESSURE ERROR	The water level sensor is an inferior product.	Change the water level sensor.
H2	THERMISTOR WASH ERROR	The thermistor wash is an inferior product or broke down.	Change the thermistor wash.
		The thermistor wash is not connected normally.	Check the connector of the thermistor wash.
H4	THERMISTOR WASH OVERHEATING ERROR	The heater worked without the water in the tub.	Check the water level.
		The thermistor wash is an inferior product or broke down.	Change the thermistor wash.

MESSAGE	ERROR	CAUSE	SOLUTION
H5	WATER TEMP. ERROR	The water temp. is over 45°C in delicate & wool course. (The thermistor wash is an inferior product or broke down.)	Change the thermistor wash.
H6	HEATER WASH ERROR	The heater wash dose not work. (The water temp. doesn't rise over 2°C during 15min.)	Change the heater wash.
H8	HEATER WASH OVERHEATING ERROR	The heater worked without the water in the tub.	Check the water level and the heater wash.
lb	IGBT ERROR	The PCB ASS'Y is an inferior product.	Change the PCB ASS'Y.
PFE	PUMP FILTER ERROR	The drain pump filter is clogged.	Clean the drain pump filter.
		The drain pump does not work during spin.	Change the drain pump.
		The large amount of detergent was used.	Use the proper amount of detergent.
		The drain hose is placed higher than 1m above the floor.	Place the drain hose 1m below the floor.

10. WIRING DIAGRAM





DAEWOO ELECTRONICS CORP.

1-2, Jeo-dong 1(ii)-ga, Jung-gu, Seoul, Korea

C.P.O. BOX 8003 SEOUL, KOREA

TELEX: DWELEC K28177-8

CABLE: "DAEWOOELEC"

PRINTED DATE: Sep. 2010

S/M NO. :

ABOUT THIS MANUAL

VISION CREATIVE, INC.

서울 종로구 통의동
6번지 이룸빌딩 4층

담 당	황의근 님
BUYER	세탁기 S/M (6Kg,7Kg 드럼세탁기)
MODEL	DWD-FD1411/1412/1413
	DWD-FD1421/1422/1423
	DWD-FD1431/1432/1433
	DWD-FD1441/1442/1443
	DWD-FD1451/1452/1453
	DWD-FD1461/1462/1463
	DWD-FD1471/1472/1473 (S/M)
접 수	2008.10.29
<p>MEMO 총 67p</p> <p>10.09.15-전체수정 (페이지 추가)_ 신규 68p</p> <p>10.09.17-7p, 20p, 22p, 24p, 26p, 27p, 28p, 29p, 30p, 31p, 32p, 34p, 35p, 42p, 47p, 48p, 52p, 53p, 54p, 56p, 57p, 58p, 59p, 64p, 65p 수정_ 신규 25p</p> <p>10.09.20-20p, 22p, 27p, 31p, 54p, 56p, 58p 수정_ 신규 7p</p> <p>10.09.30-36p, 37p 수정_ 신규 2p</p> <p>10.10.04-36p (페이지 수정, 삭제) 37p~65p 수정_ 신규 30p</p> <p>11.01.13-1p, 28p, 29p, 30p, 31p, 32p, 33p, 34p, 35p, 36p, 37p (페이지 수정, 추가) 수정_ 신규 11p</p> <p>11.01.13-1p, 21p, 22p, 23p, 24p, 25p, 26p, 27p, 28p, 29p, 30p, 31p, 32p, 33p, 34p, 35p (페이지 수정, 삭제) 수정_ 신규 16p</p>	

연락처

VISION 담당 방문수

TEL: 730-0660 FAX: 730-3788