

S/M No. : WDF1011001

# Service Manual

## Washing Machine

**Model: DWD-F1011/1012/1013/1014**

**DWD-F1211/1212/1213/1214**

**NFL-1065/1265**

**DWD-F1021/1022/1023**

**DWD-F1221/1222/1223**

**DAEWOO**

### ✓ **Caution**

: In this Manual, some parts can be changed for improving, their performance without notice in the parts list. So, if you need the latest parts information, please refer to PPL(Parts Price List) in Service Information Center

**DAEWOO ELECTRONICS CORP.**

Mar. 2005

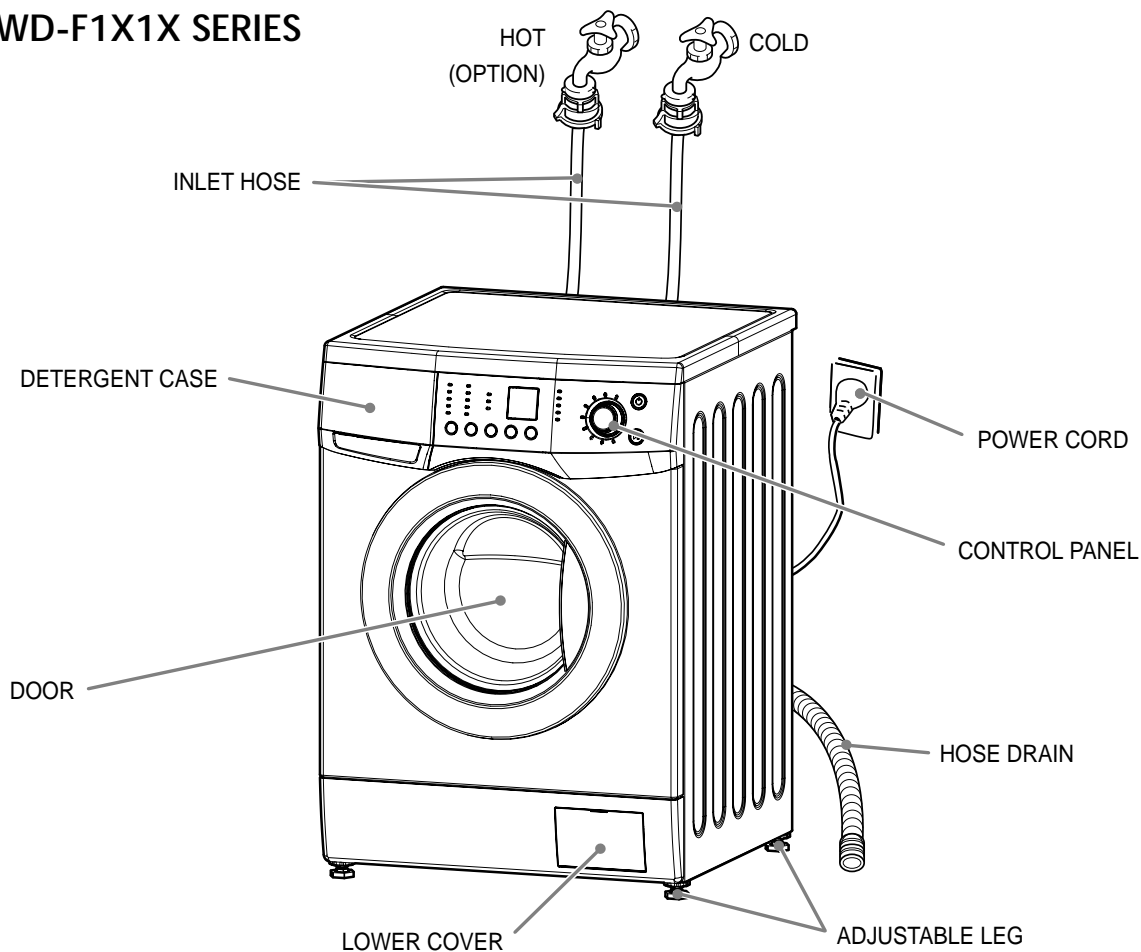
# Contents

# WASHING MACHINE

- 1. SPECIFICATIONS.....2**
- 2. INSTALLATION .....4**
  - Removing transit bolts .....4
  - Installation place requirement.....5
  - BS Plug Safety Details (For U.K. User).....5
  - Connecting inlet hose .....6
  - Installation of drain hose.....7
  - Level adjustment.....8
- 3. MAINTENANCE .....9**
  - Cleaning your washer .....9
  - Cold condition .....9
  - Cleaning the water inlet filter .....10
  - Cleaning the drain pump filter.....10
  - Cleaning the detergent case.....11
  - Cleaning the washing drum .....11
- 4. DIRECTION FOR DISASSEMBLY .....12**
- 5. EXPLODE VIEW AND PARTS LIST .....15**
- 6. FUNCTIONS OF THE CONTROL PANEL.....26**
- 7. FUNCTIONS OF THE CONTROLLER.....28**
- 8. FUNCTION OF THE CONVENIENT SERVICE.....30**
- 9. TROUBLESHOOTING GUIDE .....31**
- 10. WIRING DIAGRAM.....35**

# 1. SPECIFICATIONS

## ■ DWD-F1X1X SERIES

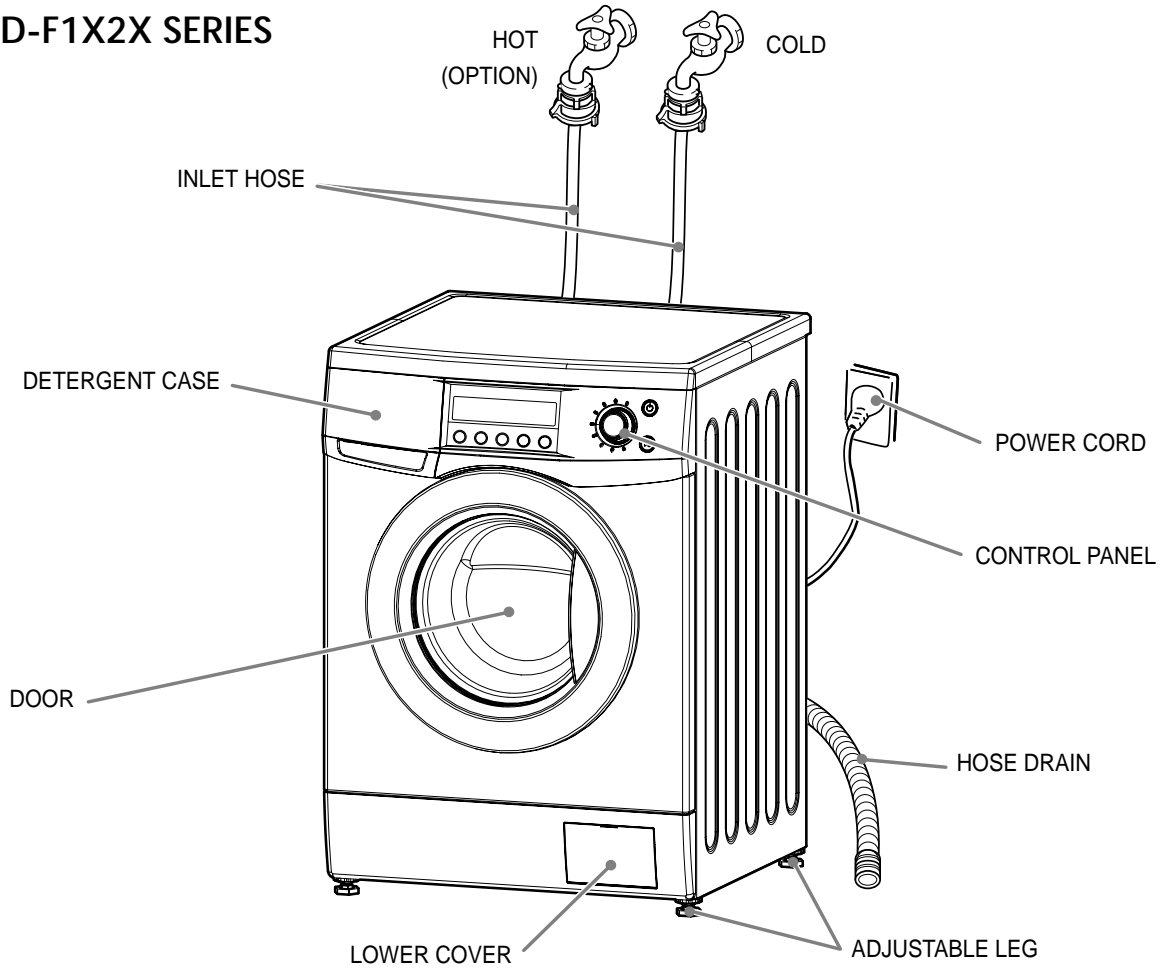


MODEL		DWD-F1011(S) / 1012(S) / 1013(S) / 1014(S) DWD-F1211(S) / 1212(S) / 1213(S) / 1214(S) NFL-1065 / NFL-1265
POWER SOURCE		220-240V, 50Hz
DIMENSION (WXDXH)		595mm x 540mm x 850mm
WEIGHT		64kg
WATER CONSUMPTION		47~59ℓ
POWER CONSUMPTION		2200W
MAXIMUM MASS OF TEXTILE	WASH	6 / 6.5 / 7 kg
	SPIN	6 / 6.5 / 7 kg
WASHER TYPE		DRUM TYPE (FRONT LOADING WASHING MACHINE)
OPERATING WATER PRESSURE		0.3 ~ 8kgf/cm <sup>2</sup> (29.4 ~ 784kPa)

## ■ Accessories

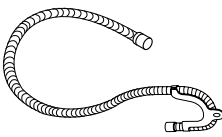
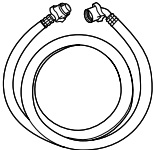
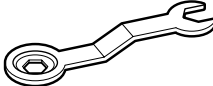


Hose drain	Inlet hose	Spanner	Manual	Cap holder(3EA)

## ■ DWD-F1X2X SERIES



MODEL		DWD-F1021(S) / F1021(S) / F1023(S) DWD-F1221(S) / F1221(S) / F1223(S)
POWER SOURCE		220-240V, 50Hz
DIMENSION (WXDXH)		595mm x 540mm x 850mm
WEIGHT		64kg
WATER CONSUMPTION		47~59ℓ
POWER CONSUMPTION		2200W
MAXIMUM MASS OF TEXTILE	WASH	6 / 6.5 / 7 kg
	SPIN	6 / 6.5 / 7 kg
WASHER TYPE		DRUM TYPE (FRONT LOADING WASHING MACHINE)
OPERATING WATER PRESSURE		0.3 ~ 8kgf/cm <sup>2</sup> (29.4 ~ 784kPa)

## ■ Accessories

Hose drain	Inlet hose	Spanner	Manual	Cap holder(3EA)
				

## 2. INSTALLATION

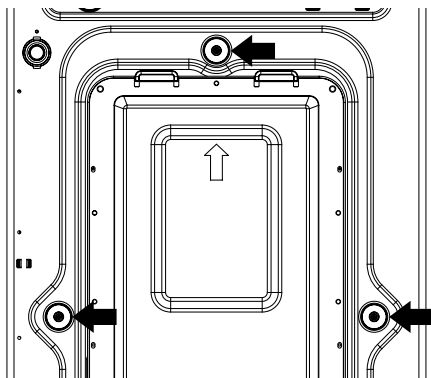
### ■ Transit bolts

The appliance is fitted with transit bolts to prevent internal damage during transport.

### ■ Removing transit bolts

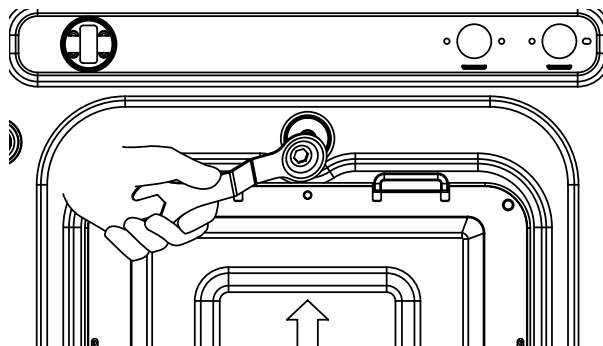
1. To prevent internal damage during transport, the special 3 bolts are locked. Before operating the washer, remove the bolts along with the rubber bungs.

- If they are not removed, it may cause heavy vibration, noise and malfunction.

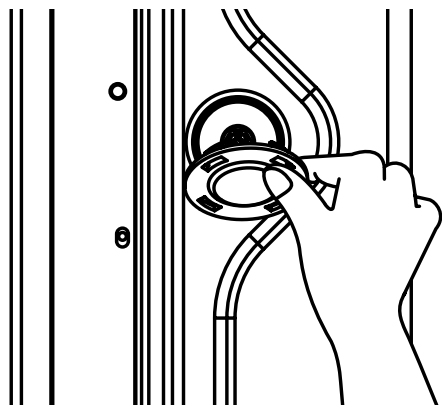


2. Unscrew the 3 bolts with the spanner supplied, and take out the 3 bolts with the rubber bongs. Keep the 3 bolts and the spanner for future use.

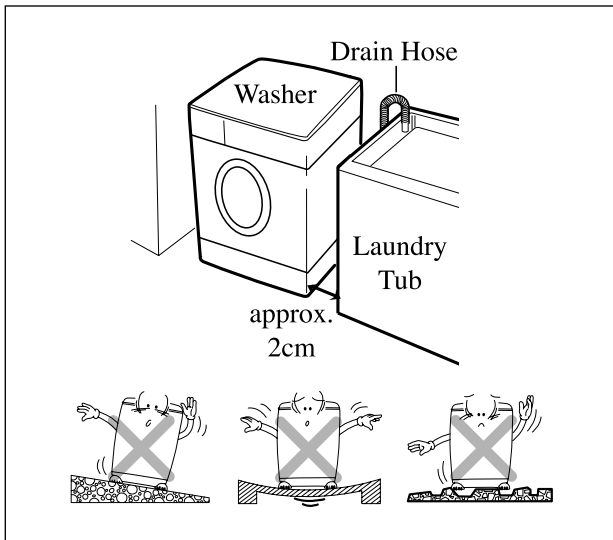
- Whenever the appliance is transported, the transit bolts must be refitted.



3. Close the holes with the caps supplied.



## ■ Installation place requirement



### Level floor :

Allowable slope under entire washer is 1°

### Power outlet :

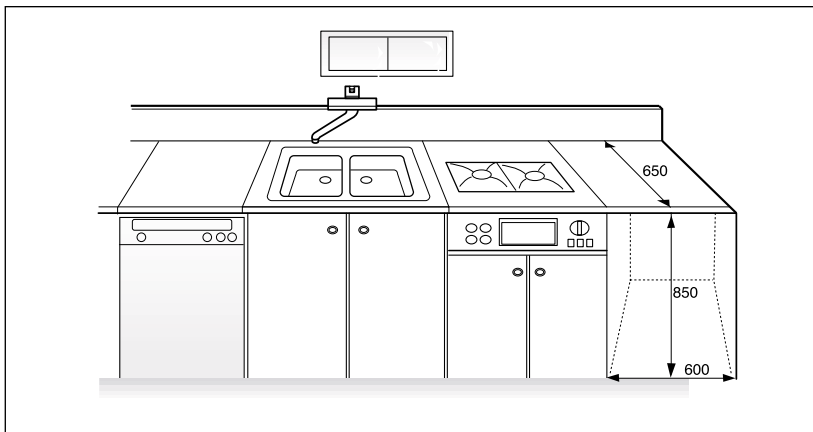
Must be with 1,5 meters of entire side of location of washer. Do not overload the outlet with more than one appliance.

### Additional Clearance :

For wall, door and floor modeling is required.  
(10cm : rear / 2cm : right & left side)

Do not place or store laundry products on top of washer at any times.

They can damage the finish or controls.



## ■ BS Plug Safety Details (For U.K. User)

### IMPORTANT

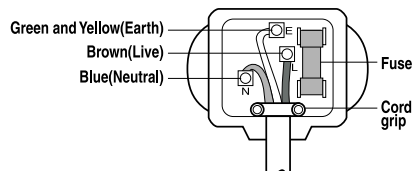
THE WIRES IN THIS MAINS LEAD ARE COLOURED IN ACCORDANCE WITH THE FOLLOWING CODE:

**GREEN AND YELLOW : EARTH**

**BLUE : NEUTRAL**

**BROWN : LIVE**

This appliance must be earthed



As the colours of the wires in the mains lead of this apparatus may not correspond with the coloured markings identifying the terminals in your plug, proceed as follows:

The wire which is coloured Green and Yellow must be connected to the terminal in the plug which is marked with the letter E or by the earth symbol  $\oplus$  or coloured Green or Green and Yellow.

The wire which is coloured Blue must be connected to the terminal which is marked with the letter N or coloured Black.

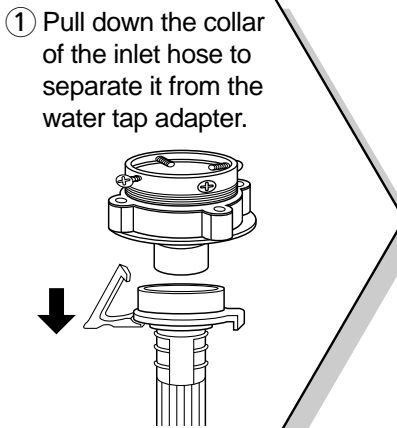
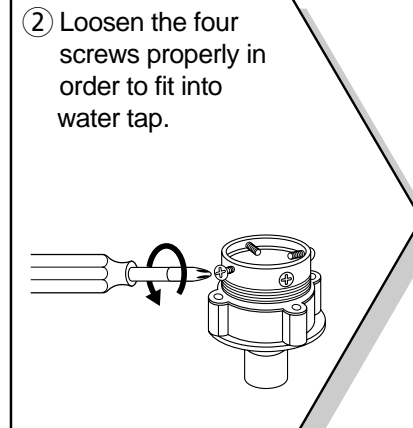
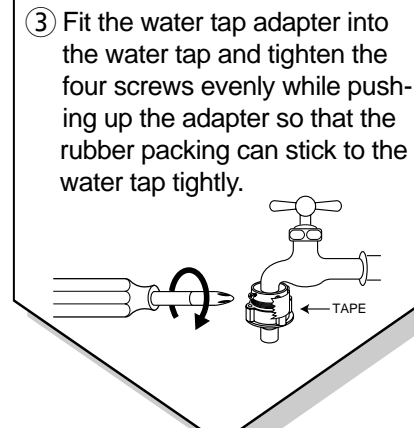
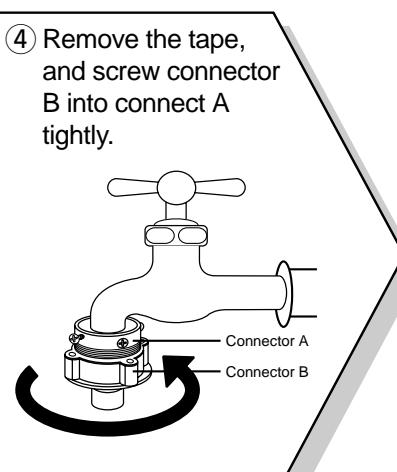
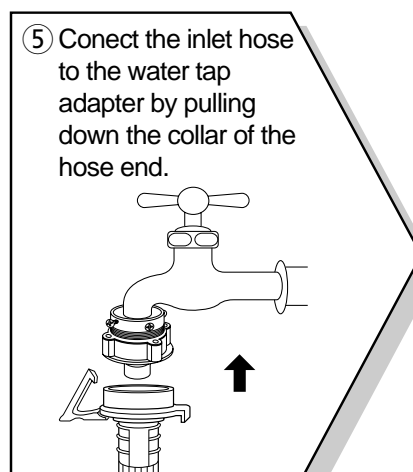
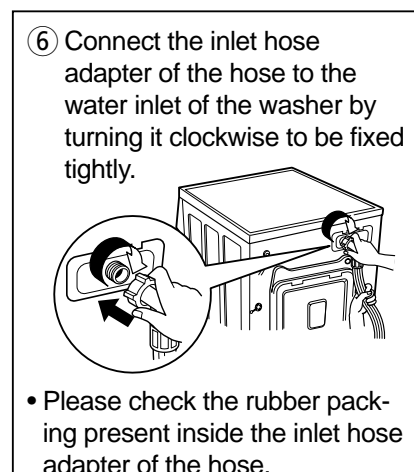
The wire which is coloured Brown must be connected to the terminal which is marked with the letter L or coloured Red.

If a 13 amp (BS 1363) plug is used, fit a 13amp BS 1362 fuse.

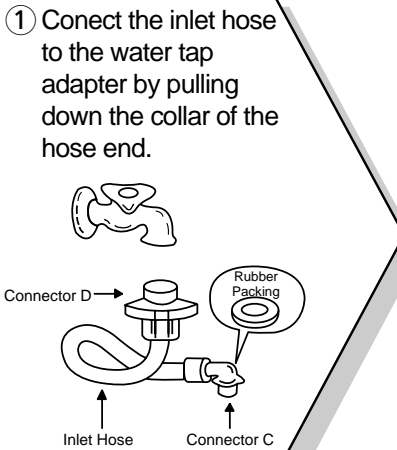
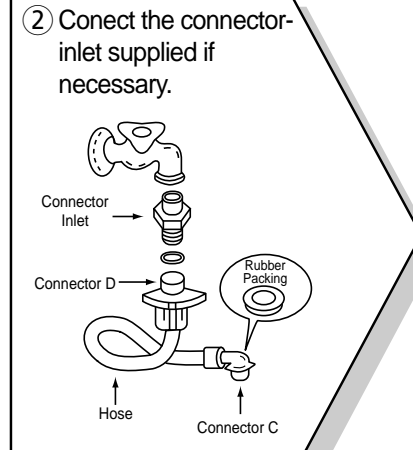
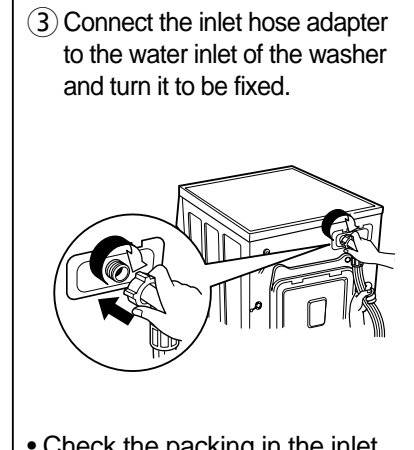
## ■ Connecting inlet hose

In using only one water tap or in case of only one water inlet valve, connect the inlet hose to the cold water inlet valve.  
Option : Be careful not to confuse hot water inlet and cold water inlet.

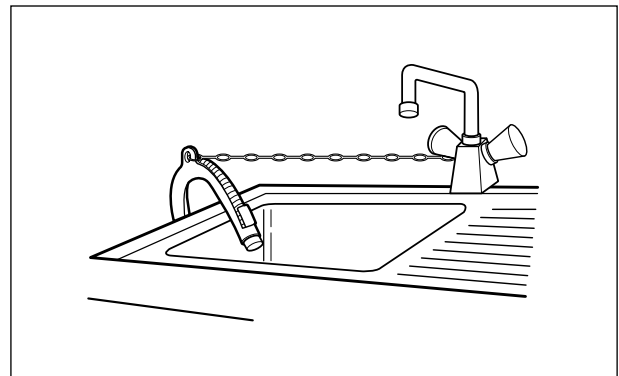
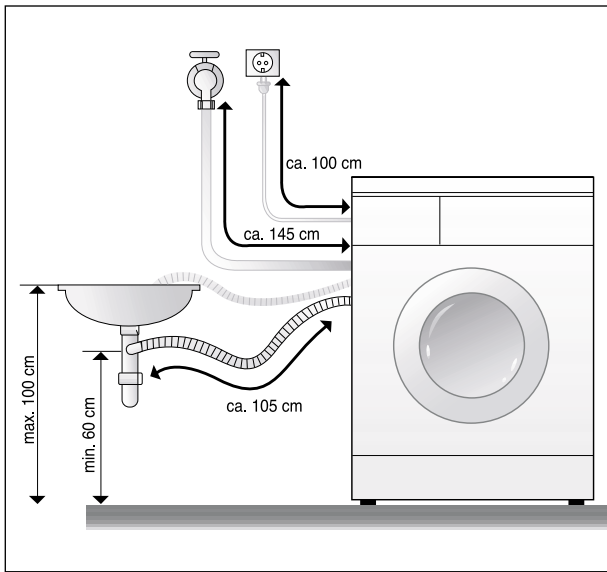
### •••• FOR ORDINARY TAP

- ① Pull down the collar of the inlet hose to separate it from the water tap adapter.
 
- ② Loosen the four screws properly in order to fit into water tap.
 
- ③ Fit the water tap adapter into the water tap and tighten the four screws evenly while pushing up the adapter so that the rubber packing can stick to the water tap tightly.
 
- ④ Remove the tape, and screw connector B into connector A tightly.
 
- ⑤ Connect the inlet hose to the water tap adapter by pulling down the collar of the hose end.
 
- ⑥ Connect the inlet hose adapter of the hose to the water inlet of the washer by turning it clockwise to be fixed tightly.
 
  - Please check the rubber packing present inside the inlet hose adapter of the hose.

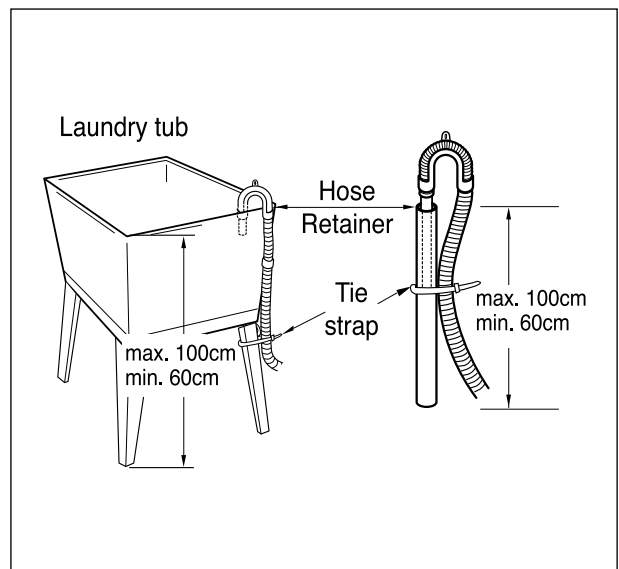
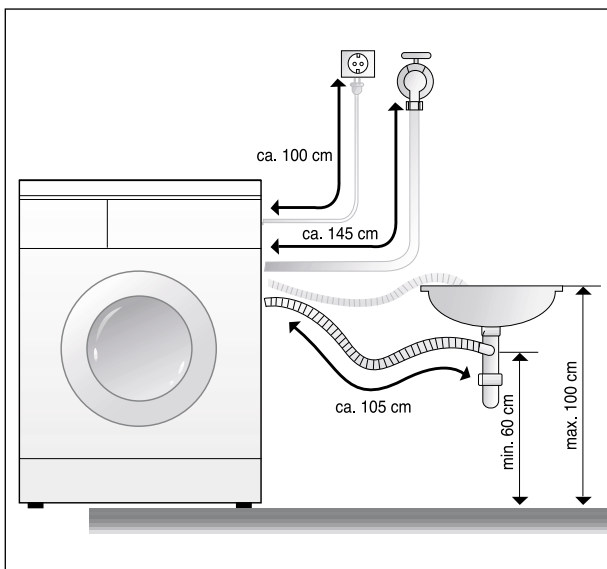
### •••• FOR SCREW-SHAPED TAP

- ① Connect the inlet hose to the water tap adapter by pulling down the collar of the hose end.
 
- ② Connect the connector-inlet supplied if necessary.
 
- ③ Connect the inlet hose adapter to the water inlet of the washer and turn it to be fixed.
 
  - Check the packing in the inlet.

## ■ Installation of drain hose



- When installing the drain hose in sink, secure it tightly with a string.
- Proper securing of the drain hose will **protect the floor from damage due to water leakage.**



- The drain hose should not be placed **higher than 100cm above the floor.**
- Proper securing of the drain hose will **protect the floor from damage due to water leakage.**
- When the drain hose is too long, do **not force back in to the washer. This will cause abnormal noise.**

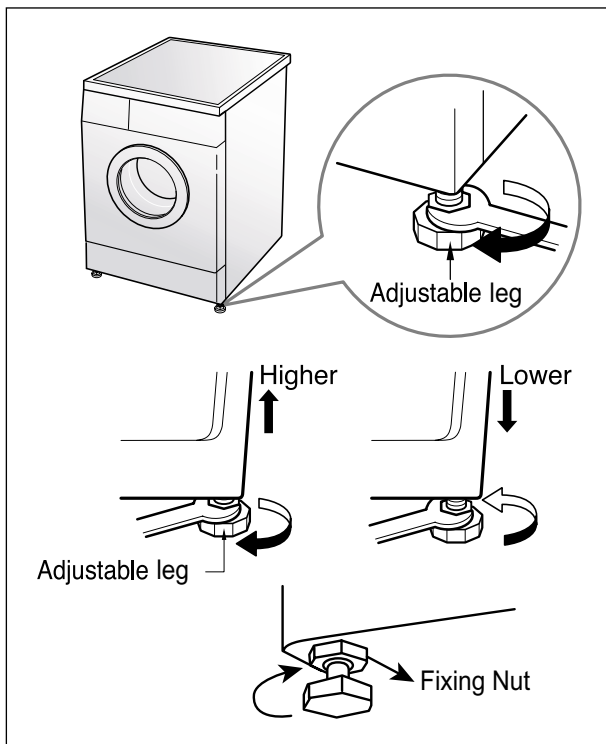


## ■ Level adjustment

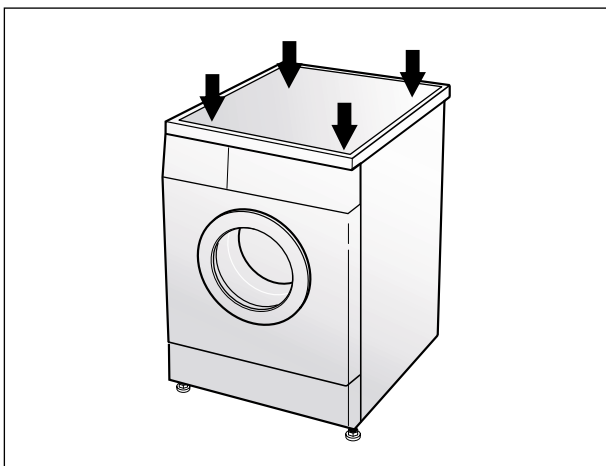


1. The level adjustment of the washing machine prevents excessive noise and vibration. Install the washing machine on a solid and even floor surface, if possible, in a corner of the room.

**Note:** the wooden floor may cause excessive vibration.



2. If the floor is uneven, adjust the adjustable leg as the following.  
(Do not insert pieces of wood etc. under legs.)
  - Please check whether there is any gap between four adjustable legs and the floor.
  - Turn adjustable legs by the enclosed spanner in order to adjust the level of the washing machine.
  - Make it sure that there is no swaying of the washing machine and check that the washing machine is even completely. (use a spirit level)
  - After the level adjustment is finished, turn fixing nuts up tightly so that the washing machine maintains the adjustment.



### ※ Diagonal Check

When pushing down the edges of the washing machine top plate diagonally, the machine should not move up and down at all.

(Please, check both of two directions)

If machine rocks when pushing the machine top plate diagonally, adjust legs again.

## 3. MAINTENANCE

✿ Before cleaning the washer interior, unplug the electrical power cord avoid electrical shock hazards.

### ■ Cleaning your washer

#### 1. Exterior

Proper care of your washer can extend its life.

The outside of the machine can be cleaned with warm water and a neutral non abrasive household detergent.

Immediately wipe off any spills. Wipe with damp cloth.

Try not to hit surface with sharp objects.

- Do not use methylated spirits, diluents or similar products.

#### 2. Interior

Dry around the washer door opening, flexible gasket and door glass.

Run washer through a complete cycle using hot water.

Repeat process if necessary.

- Remove hard water deposits using only cleaners labeled as washer safe.

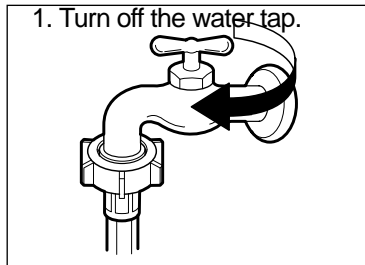
### ■ Cold condition

If the washer is stored in an area where freezing may occur or moved in freezing temperature, follow these instructions to prevent damage to the washer.

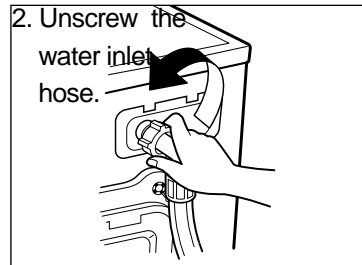
1. Turn off water supply tap.
2. Disconnect hoses from water supply and drain water from hoses.
3. Plug electrical cord into a properly grounded electrical outlet.
4. Add 1gallon(3.8L) of nontoxic recreational vehicle(RV) antifreeze into empty wash drum.  
Close the door.
5. Set spin cycle and let washer spin for 1minute to drain out all water.
6. Unplug electrical power cord, dry the drum interior, and close the door.
7. Remove detergent case and dry excessive water from the compartments.
8. Store washer in an upright position.
9. To remove antifreeze from washer after storage, run empty washer through a complete cycle using detergent. Do not add wash load.

## ■ Cleaning the water inlet filter

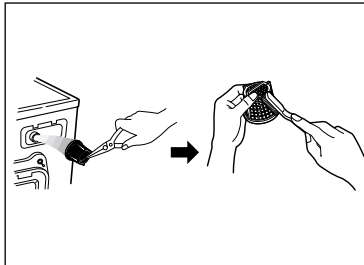
- "IE" error message will blink on the control panel when water does not enter the detergent drawer.
- If your water is very hard or contains traces of lime deposit, the water inlet filter may become clogged.
- It is therefore a good idea to clean it from time to time.



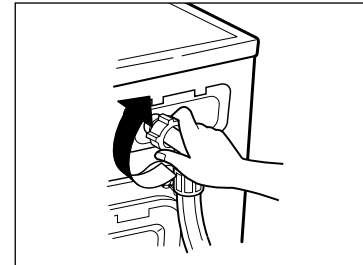
1. Turn off the water tap.



2. Unscrew the water inlet hose.



3. Clean the filter using a had bristle brush.



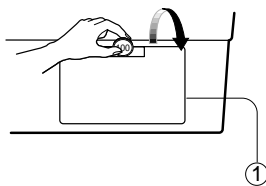
4. Tighten up the inlet hose.

## ■ Cleaning the drain pump filter

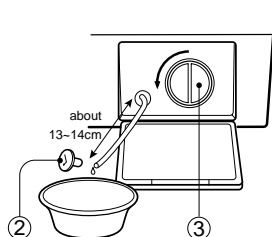
- The drain filter collects threads and small objects left in the laundry.
- Check regularly that the filter is clean to ensure smooth running of your machine.

**CAUTION** Be careful when draining if the water is hot.

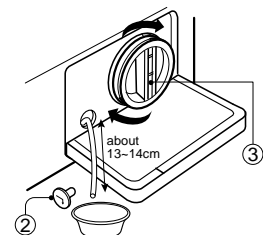
1. Open the lower cover(①) by using a coin. Turn the cap hose(②) to pull out the hose. Pull out the hose maximally. (About 13~14cm.)



2. Unplug the cap hose(②), allowing the water to flow out. At this time use a vessel to prevent water flowing on to the floor. When water does not flow any more, turn the pump filter(③) open to the left.



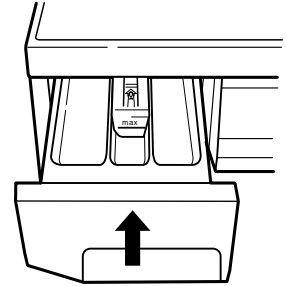
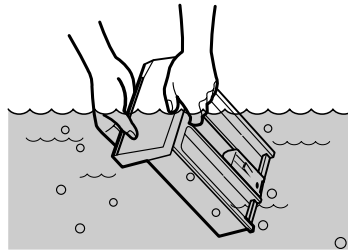
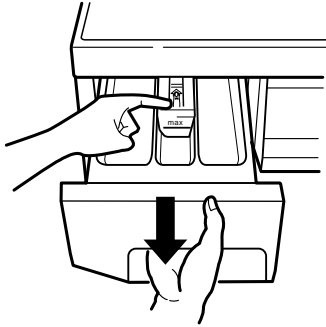
3. Remove any foreign material from the pump filter(③). After cleaning, turn the pump filter clockwise and insert the cap hose(②) to the original place. Close the lower cover.



## ■ Cleaning the detergent case

✳ After a while detergents and fabric softeners leave a deposit in the detergent case.

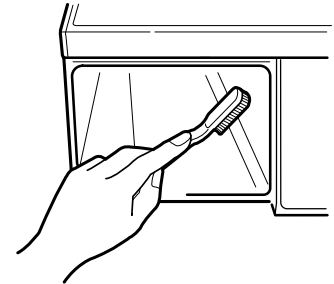
- It should be cleaned from time to time with a jet of running water.
- If necessary it can be removed completely from the machine by pressing the catch downwards and by pulling it out.
- To facilitate cleaning, the upper part of the fabric softener compartment can be removed.



### Inlet box recess

✳ Detergent can also accumulate inside the recess which should be cleaned occasionally with an old toothbrush.

- Once you have finished cleaning, replace the detergent case and run a rinse cycle without laundry.



## ■ Cleaning the washing drum

- If you live in a hard water area, limescale may continuously build up in places where it cannot be seen and thus not easily removed.
- Over time the build up of scale clogs appliances, and if it is not kept in check these may have to be replaced.
- Although the washing drum is made of stainless steel, specks of rust can be caused by small metal articles (paper clips, safety pins) which have been left in the drum.
- The washing drum should be cleaned from time to time.
- If you use descaling agents, dyes or bleaches, make sure they are suitable for washing machine use.
  - ✳ Descaler may contain chemicals that may damage part of your washing machine.
  - ✳ Remove any spots with a stainless steel cleaning agent.
  - ✳ Never use steel wool.

## 4. DIRECTION FOR DISASSEMBLY

### DOOR LOCK SWITCH

1) Open the door and remove the gaske clamp.



2) Remove the gasket from the front cabinet.



3) Remove two screws, and remove the door lock switch.



### HEATER AND THERMISTOR

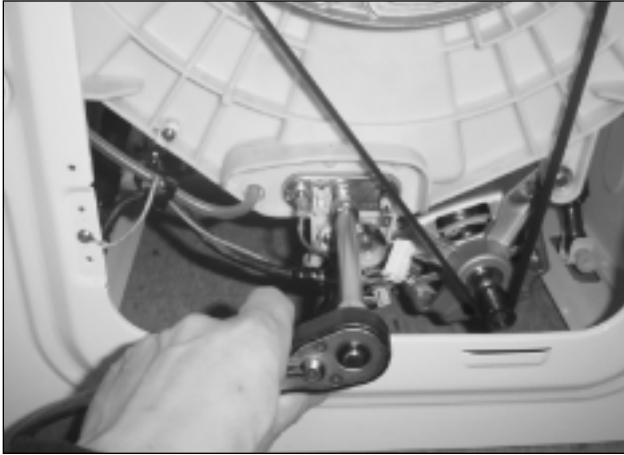
1) Remove four screws on the back cover, and remove the back cover.



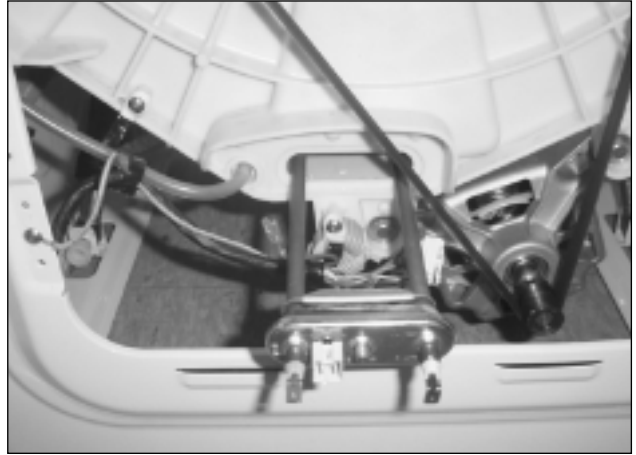
2) Remove connectors and the earth terminal.



3) Remove the nut by using a box wrench, and remove the earth terminal.



4) Loosen the nut by using a box wrench, and pull out the heater.

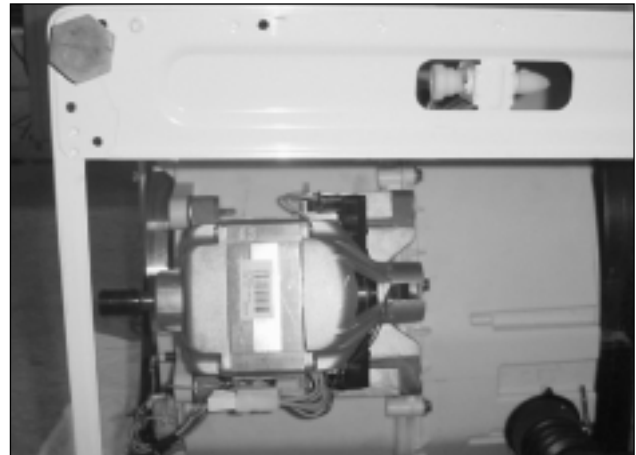


## UNIVERSAL MOTOR

1) remove the belt from the pulley.



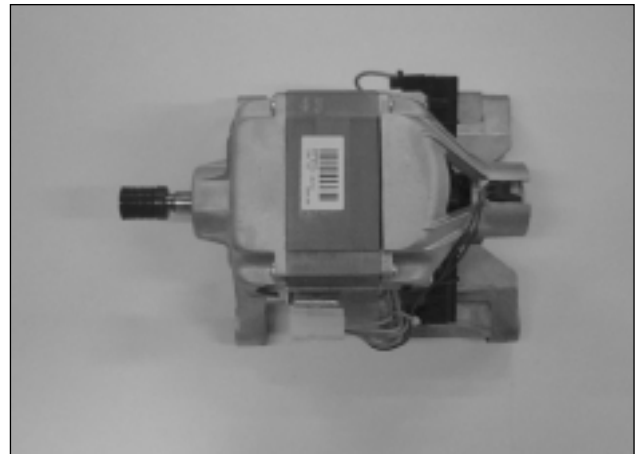
2) Lay the right side of the washer on the floor, and remove the connector.



3) Remove two bolts and two nuts mounting the motor by using a box wrench.



4) Remove the motor from the tub.



## DRAIN PUMP

1) Lay the right side of the washer on the floor, and remove the lower panel by pressing six snap fits.



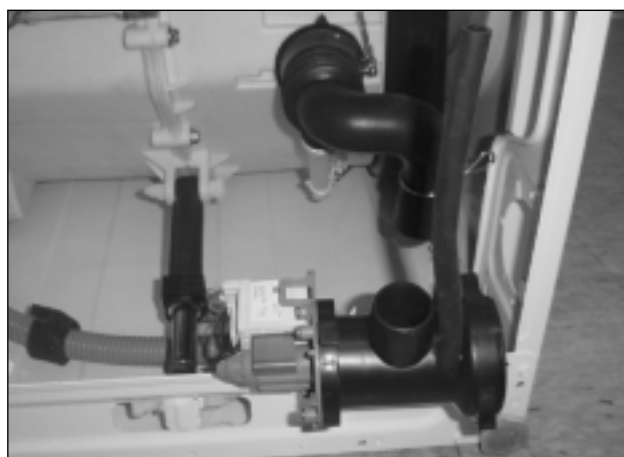
2) Remove connectors.



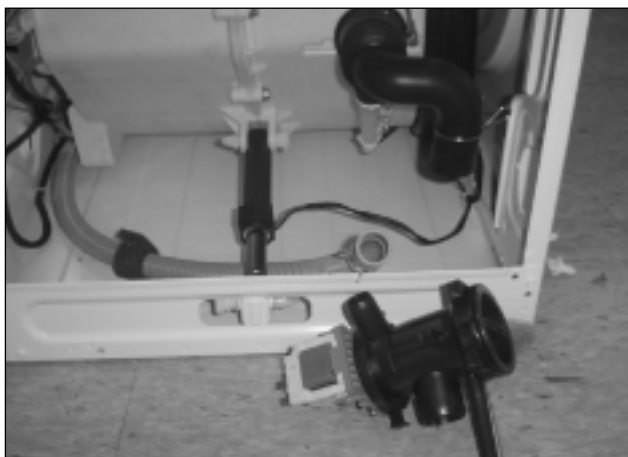
3) Remove the screw, and remove the drain pump from the lower frame.



4) Remove the drain hose.

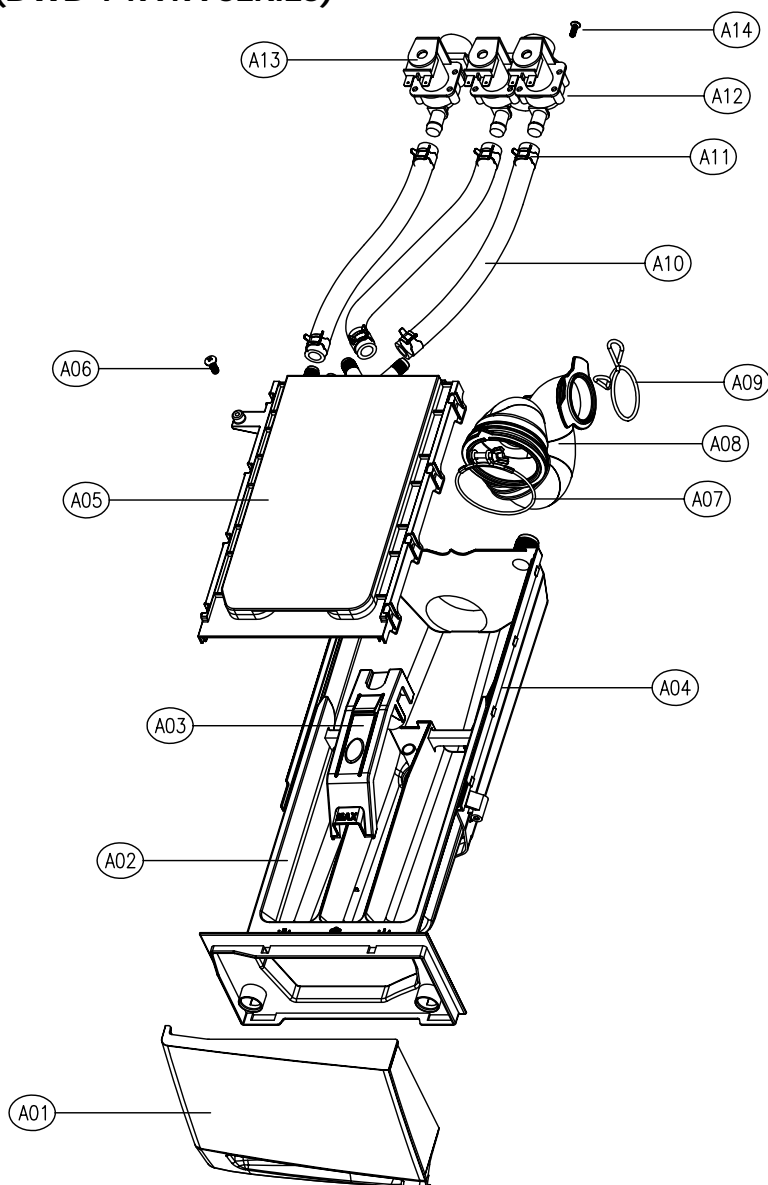


5) Remove the inner drain hose, and remove the drain pump.



## 5. EXPLODE VIEW AND PARTS LIST

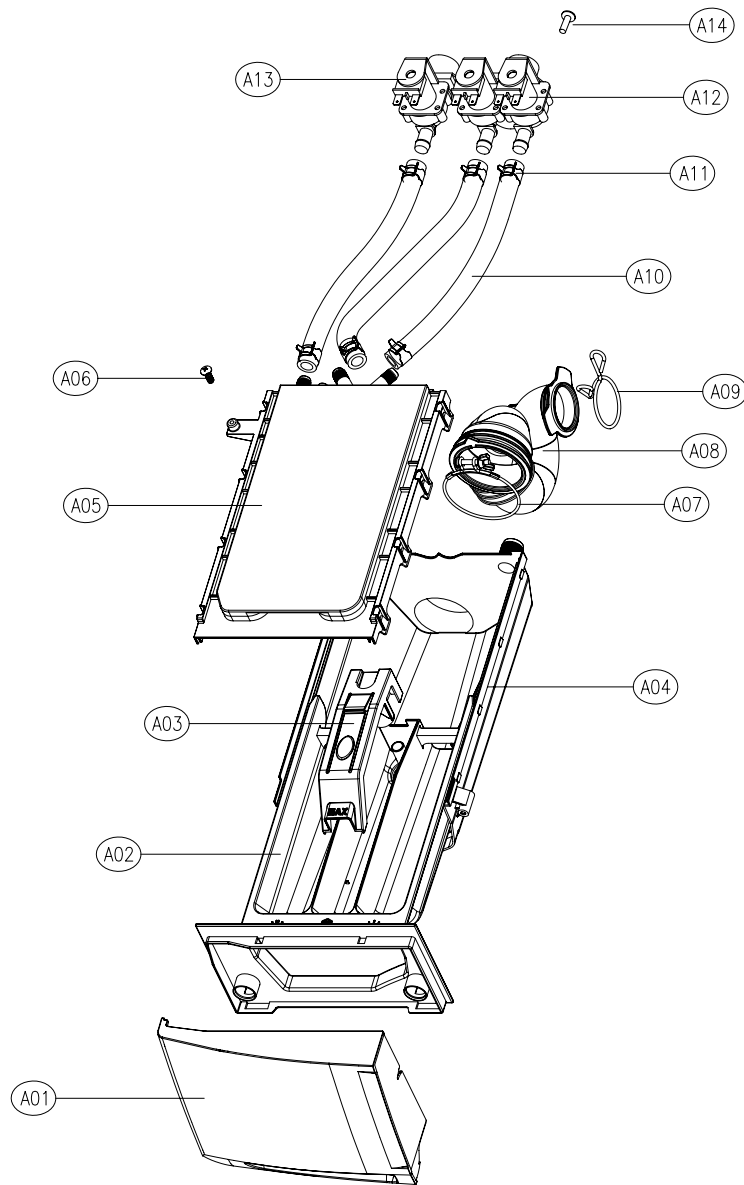
### ■ BOX INLET AS (DWD-F1X1X SERIES)



No.	PART NAME	PART CODE	SPECIFICATION	Q'TY	REMARK
A01	HANDLE CASE	3612608700	ABS	1	DWD-F1X13
		3612608710	SILVER SPRAY		
A02	CASE DETERGENT	3611140300	PP	1	
A03	CAP SOFTENER	3610916600	PP	1	
A04	BOX INLET	3610526500	PP	1	
A05	NOZZLE AS	3618103500	NOZZLE TOP + NOZZLE UNDER	1	COLD+HOT
		3618103510			COLD ONLY
A06	SCREW TAPPING	7122402011	T2S TRS 4X20 MFZN	1	
A07	CLAMP AS	3611203200	ID=60,WIRE+GUIDE+BOLT+NUT	1	
A08	HOSE INLET	3613267200	EPDM U-TRAP	1	
A09	CLAMP HOSE I	3611201400	HSW3, D2.6, MFZN, ID=38	1	
A10	HOSE WATER SUPPLY	3613270900	EPDM,ID=9.5,OD=14.5,L=225	2(1)	COLD(HOT)
A11	CLAMP HOSE	3611205800	ID=13.8, W=10.0, T=0.9	4(2)	COLD(HOT)
A12	VALVE INLET	3615414900	220~240V 2WAY PP VDE	1	COLD
		3615414910	220~240V 2WAY NYLON VDE		
A13	VALVE INLET	3615414800	220~240V,50/60Hz,1WAY	1	HOT
A14	SCREW TAPTITE	7272400811	TT3 TRS 4X8 MFZN	2(2)	COLD(HOT)

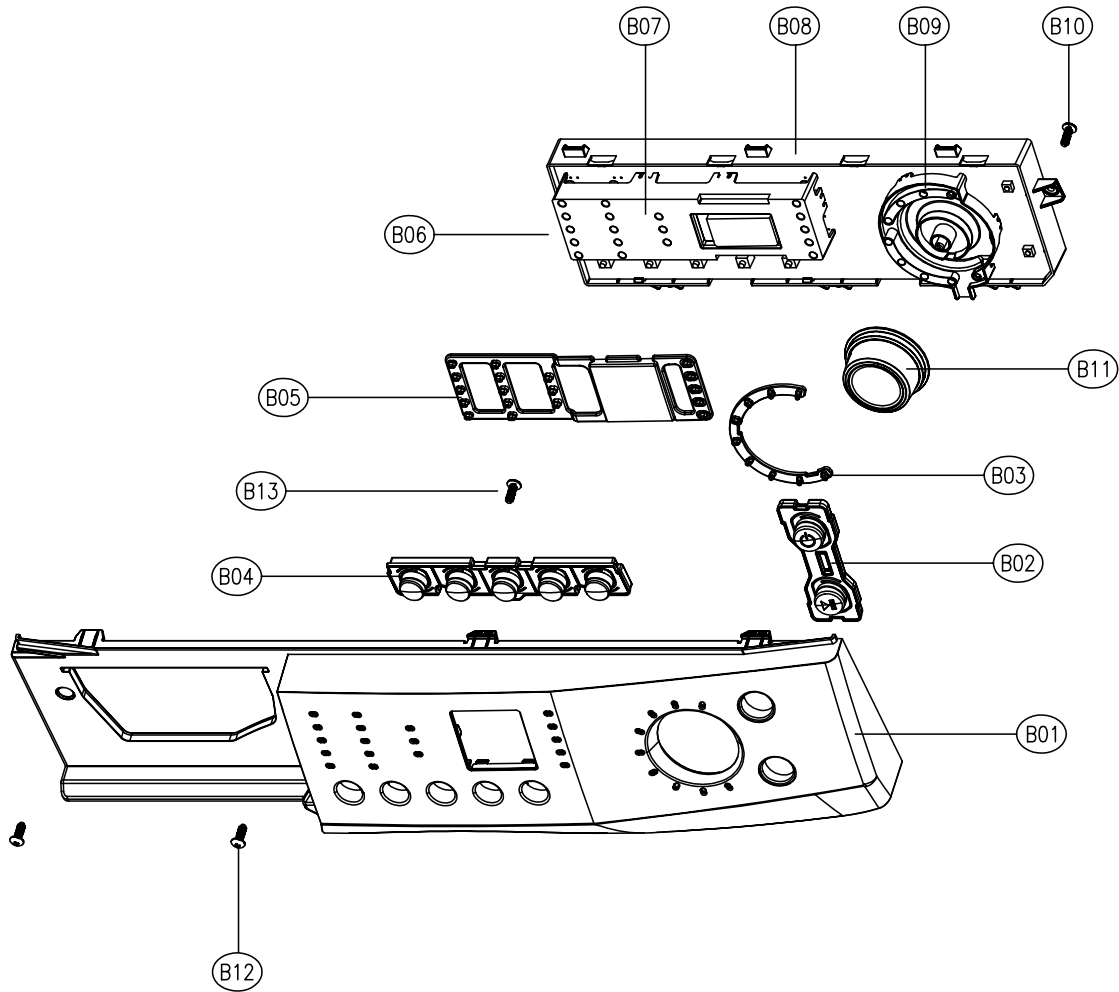


## ■ BOX INLET AS (DWD-F1X2X SERIES)



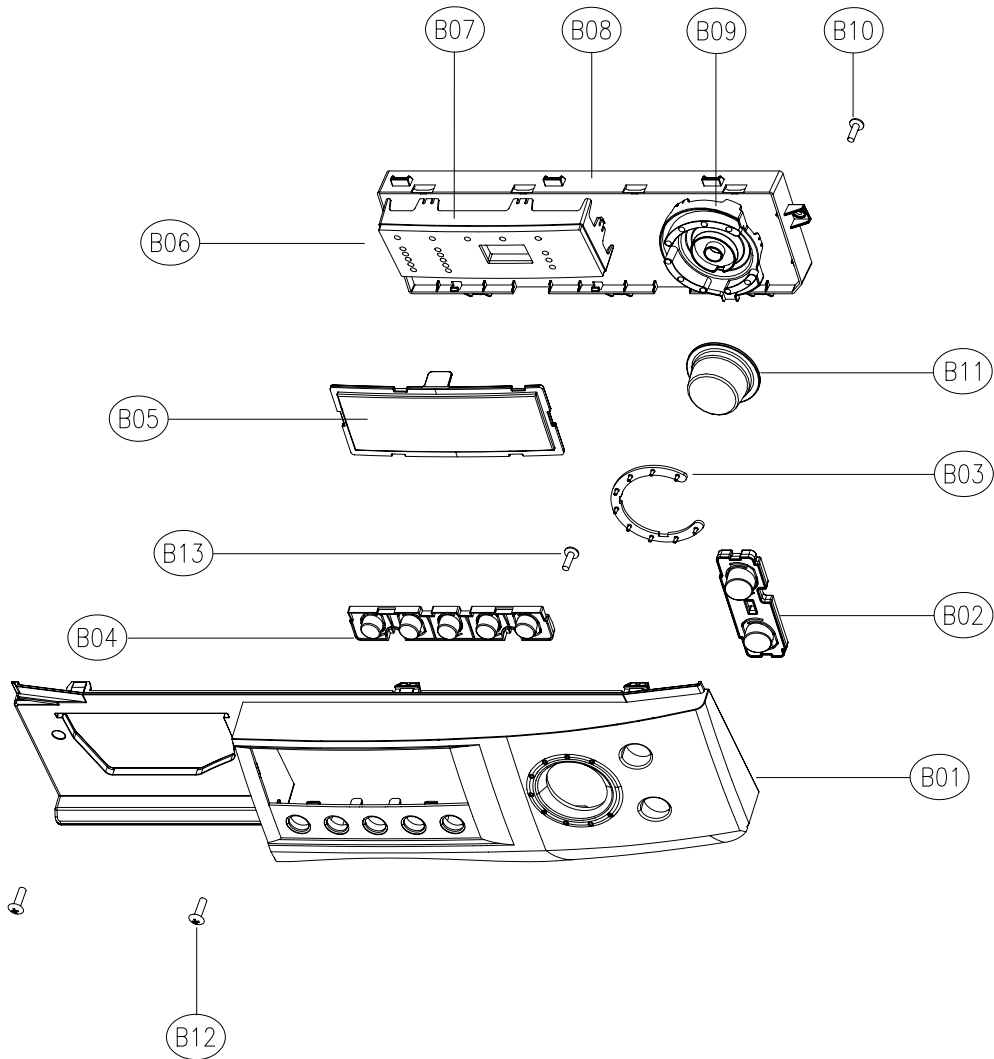
No.	PART NAME	PART CODE	SPECIFICATION	Q'TY	REMARK
A01	HANDLE CASE	3612608900	ABS	1	DWD-F1X23
		3612608910	SILVER SPRAY		
A02	CASE DETERGENT	3611140300	PP	1	
A03	CAP SOFTENER	3610916600	PP	1	
A04	BOX INLET	3610526500	PP	1	
A05	NOZZLE AS	3618103500	NOZZLE TOP + UNDER	1	COLD+HOT
		3618103510			COLD ONLY
A06	SCREW TAPPING	7122402011	T2S TRS 4X20 MFZN	1	
A07	CLAMP AS	3611203200	ID=60,WIRE+GUIDE+BOLT+NUT	1	
A08	HOSE INLET	3613267200	EPDM U-TRAP	1	
A09	CLAMP HOSE I	3611201400	HSW3, D2.6, MFZN, ID=38	1	
A10	HOSE WATER SUPPLY	3613270900	EPDM,ID=9.5,OD=14.5,L=225	2(1)	COLD(HOT)
A11	CLAMP HOSE	3611205800	ID=13.8, W=10.0, T=0.9	4(2)	COLD(HOT)
A12	VALVE INLET	3615414900	220~240V 2WAY PP VDE	1	COLD
		3615414910	220~240V 2WAY NYLON VDE		
A13	VALVE INLET	3615414800	220~240V,50/60Hz,1WAY	1	HOT
A14	SCREW TAPTITE	7272400811	TT3 TRS 4X8 SE MFZN	2(2)	COLD(HOT)

## ■ PANEL FRONT AS (DWD-F1X1X SERIES)



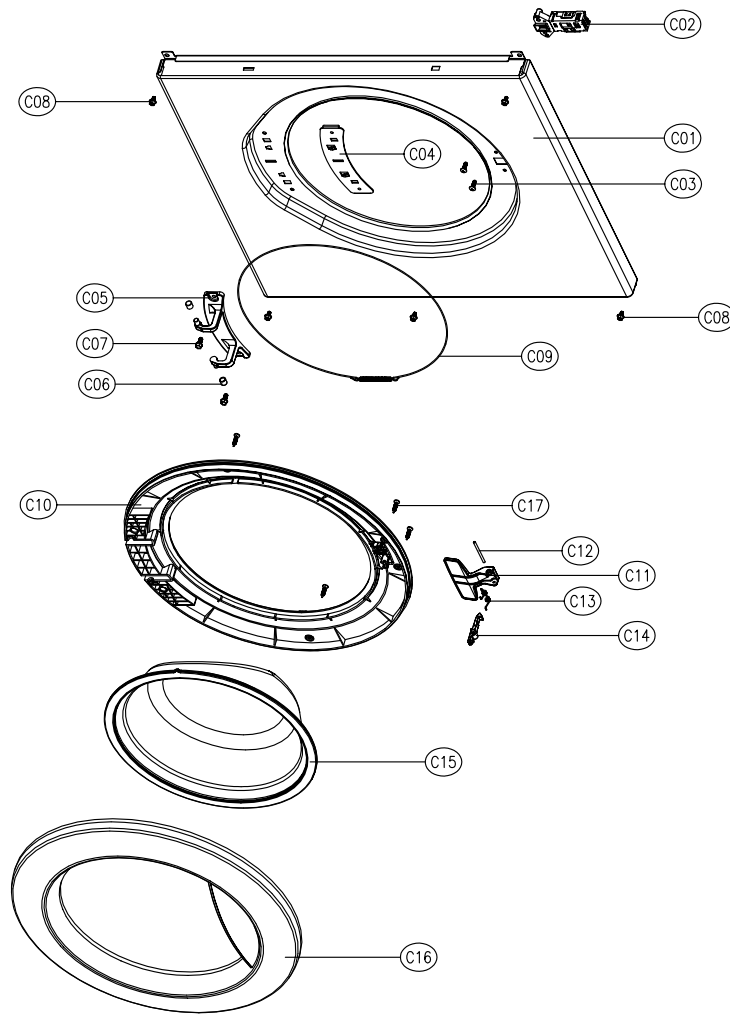
No.	PART NAME	PART CODE	SPECIFICATION	Q'TY	REMARK
B01	PANEL F	3614282700	ABS	1	DWD-F1X13
		3614282710	SILVER SPRAY		
B02	BUTTON POWER	3616603600	ABS	1	DWD-F1X11/DWD-F1X14
		3616603620	ABS+AL COATING		
B03	WINDOW DIAL	3615503100	ABS	1	
B04	BUTTON SELECT	3616603500	ABS	1	DWD-F1X11/DWD-F1X14
		3616605320	ABS+AL COATING	1	
B05	WINDOW LED	3615503000	ABS		
B06	PCB ASS'Y	PRPSSW5D50	DWD-F101's, TRIAC, EC	1	1000rpm
		PRPSSW5D60	DWD-F121's, TRIAC, EC		1200rpm
		PRPSSW5D70	DWD-F101's, TRIAC		1000rpm
		PRPSSW5D80	DWD-F121's, TRIAC		1200rpm
		PRPSSW5D81	NFL-1265, AUSTRALIA, TRIAC		1200rpm
B07	HOLDER LED	3613049600	ABS	1	
B08	CASE PCB	3611140200	HIPS	1	
B09	HOLDER DIAL	3613049700	ABS	1	
B10	SCREW TAPPING	7122401611	T2S TRS 4x16 MFZN	4	
B11	KNOB DIAL AS	3613405000	ABS, AL COATING	1	DWD-F1X13
		3613405010	ABS+SILVER SPRAY, UV COATING		
B12	SCREW TAPPING	7122401608	T2S TRS 4x16 SUS	2	
B13	SCREW TAPPING	7122401211	T2S TRS 4x12 MFZN	2	

## ■ PANEL FRONT AS (DWD-F1X2X SERIES)



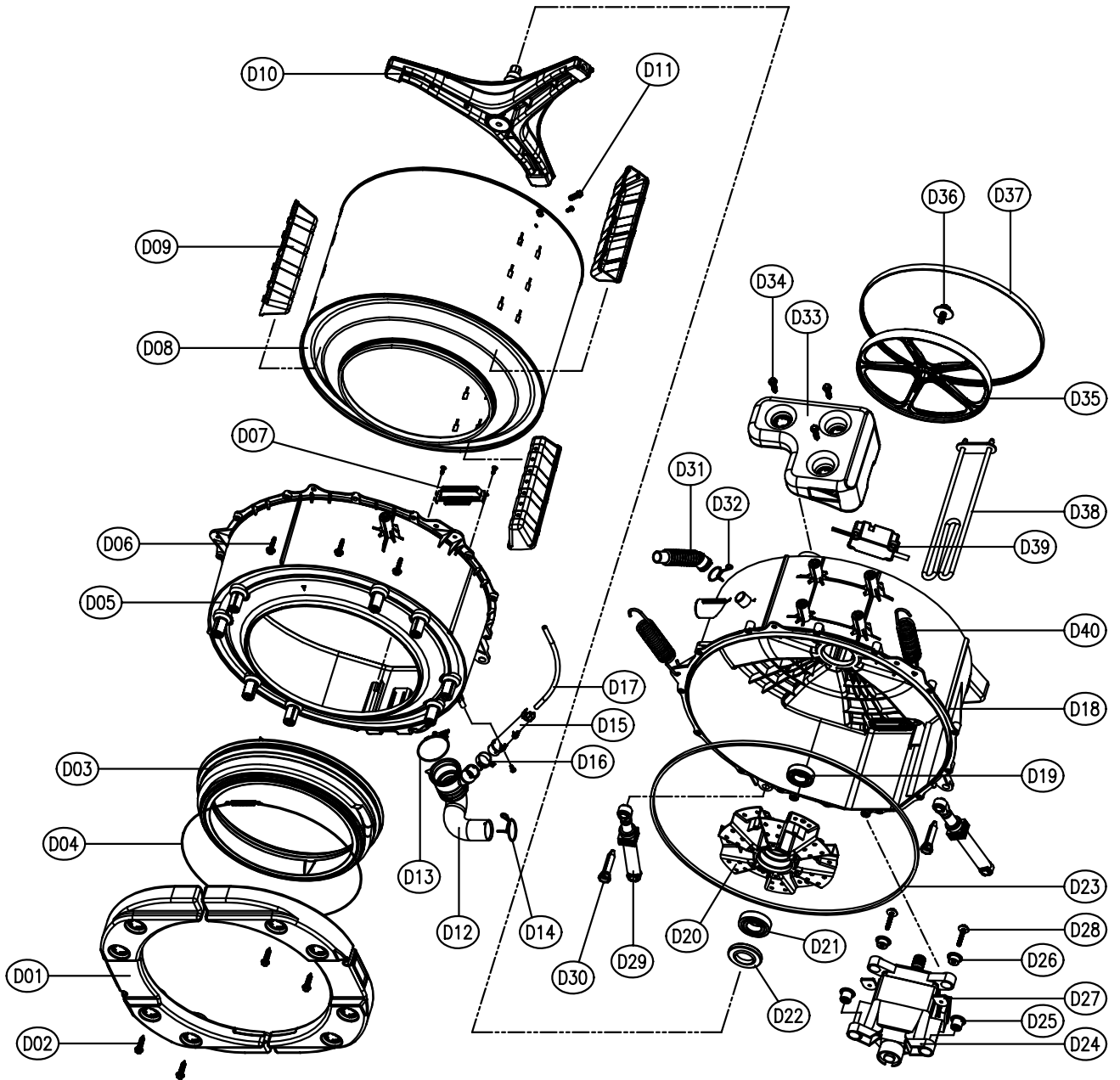
No.	PART NAME	PART CODE	SPECIFICATION	Q'TY	REMARK
B01	PANEL F	3614284500	ABS	1	DWD-F1X23
		3614284510	SILVER SPRAY		
B02	BUTTON POWER	3616604200	ABS	1	DWD-F1X21
		3616604210	ABS+AL COATING		
B03	WINDOW DIAL	3615503400	ABS	1	
B04	BUTTON SELECT	3616604100	ABS	1	DWD-F1X21
		3616604110	ABS+AL COATING	1	
B05	WINDOW LED	3615503300	ABS		
B06	PCB ASS'Y	PRPSSW6D50	DWD-F102's, TRIAC, EC	1	1000rpm
		PRPSSW6D60	DWD-F122's, TRIAC, EC		1200rpm
		PRPSSW6D70	DWD-F102's, TRIAC		1000rpm
		PRPSSW6D80	DWD-F122's, TRIAC		1200rpm
B07	HOLDER LED	3613050500	ABS	1	
B08	CASE PCB	3611140200	HIPS	1	
B09	HOLDER DIAL	3613050600	ABS	1	
B10	SCREW TAPPING	7122401611	T2S TRS 4x16 MFZN	4	
B11	KNOB DIAL	3613405110	ABS+SPRAY	1	
B12	SCREW TAPPING	7122401608	T2S TRS 4x16 SUS	2	
B13	SCREW TAPPING	7122401211	T2S TRS 4x12 MFZN	2	

## ■ CABINET FRONT AS



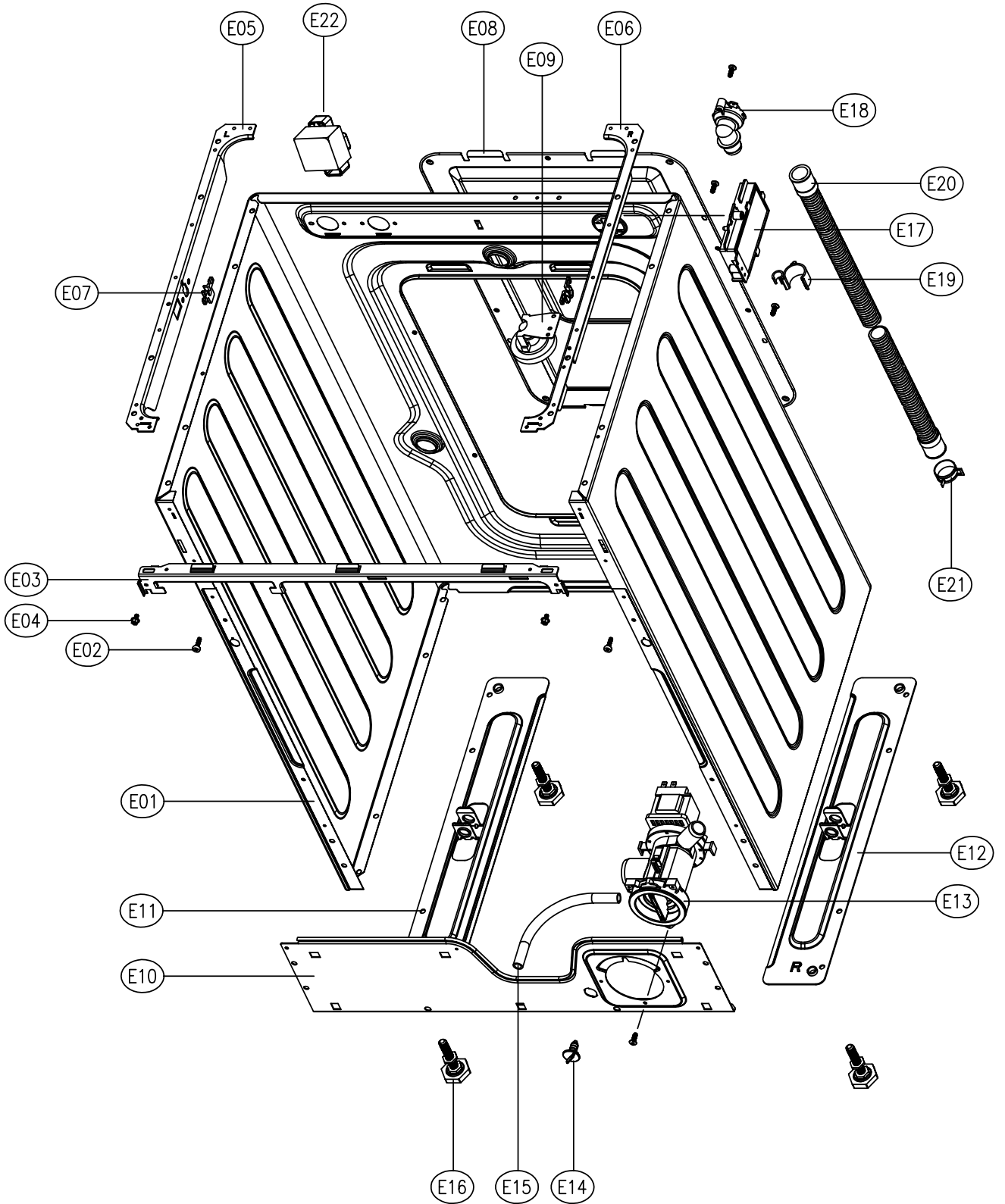
No.	PART NAME	PART CODE	SPECIFICATION	Q'TY	REMARK
C01	CABINET FRONT	3610811210	PCM, SGCC 0.8T, SILVER	1	DWD-F1XX3
		3610811220	SECD 0.7T		
C02	SWITCH DOOR LOCK	3619046800	250V16A, ROLD, BI-METAL	1	
C03	SCREW TAPPING	7122401208	T2S TRS 4X12 SUS	2	
C04	PLATE HINGE SUPPORT	3614531900	SGCC T1.6	1	
C05	HINGE DOOR	3612902800	ZNDC	1	
C06	CAP HINGE DOOR	3610916500	POM	2	
C07	SCREW TAPPING	3616030000	F/L BOLT(SE) 5*12 SUS	2	
C08	SCREW TAPPING	3616029950	TTS"S" HEX F/L 4*8	6	
C09	CLAMP DOOR AS	3611204800	HSWR D=1.4	1	
C10	FRAME DOOR I	3612205200	PP	1	
C11	HANDLE DOOR	3612608600	ABS	1	
C12	PIN HANDLE	3618200200	SUS304, D3, L48	1	
C13	SPRING HOOK	3615114600	SUS D1.4	1	
C14	HOOK DOOR	3613100700	ZNDC	1	
C15	DOOR GLASS	361A110700	GLASS PI300	1	
C16	FRAME DOOR O	3612205100	ABS	1	DWD-F1XX1
		3612205120	CR3		
		3612205130	ABS+UV SPRAY		DWD-F1X14
C17	SCREW TAPPING	7115402008	T1S FLT 4*20 SUS	6	

■ TUB ASS'Y



No.	PART NAME	PART CODE	SPECIFICATION	Q'TY	REMARK
D01	BALANCER WEIGHT F L/R	3616106300	FRONT, 6.0kg	2	
D02	SPECIAL SCREW(BALANCER)	3616029400	SWCH 8.5X30	8	
D03	GASKET	3612321400	EPDM	1	
D04	CLAMP GASKET AS	3611204500	HSWR D=1.8	1	
D05	TUB FRONT	3618821001	FRPP FH7300GM	1	
D06	SPECIAL SCREW(TUB)	3616029800	SWCH 6.5X30	14	
D07	FIXTURE HEATER	3612007300	SUS 0.7T 440x45	1	
D08	DRUM SUB AS	3617004001	SUS 0.5T	1	
D09	LIFTER WASH	361A400400	PP	3	OPTION
		361A400410	NANO		
D10	SPIDER AS	361A300500	ALDC+SM45C	1	
D11	SPECIAL SCREW(SPIDER)	3616029500	SUS430 8x25	3	
D12	HOSE DRAIN	3613267300	EPDM	1	
D13	CLAMP AS	3611203200	ID=60,WIRE+GUIDE+BOLT+NUT	1	
D14	CLAMP HOSE I	3611201400	HSW3, D2.6, MFZN, D=38	1	
D15	AIR TRAP	361A500101	PP	1	
D16	CLAMP HOSE	3611204700	D27	1	
D17	HOSE AIR	3613268600	ID=4, OD=8, L=700	1	
D18	TUB REAR	3618821101	FRPP FH7300GM	1	
D19	BEARING OUTER	3616303200	6205Z FAG	1	
D20	BEARING HOUSING	3616303300	ALDC	1	
D21	BEARING INNER	3616303100	6206Z FAG	1	
D22	WATER SEAL	361A600100	NBR	1	
D23	GASKET TUB	3612321600	EPDM L=1675	1	
D24	UNIT MOTOR UNIVERSAL	36189L4H00	220VDC50HZ 2POLES PI340	1	
D25	CUSHION MOTOR FIX(A)	3611563900	BUTYLE	2	
D26	CUSHION MOTOR FIX(B)	3611564000	BUTYLE	2	
D27	SPECIAL WASHER	3616030400	T=4.0 M6	2	
D28	SPECIAL BOLT	3616030900	M6x43, SPRING+PLATE WASER	2	
D29	DAMPER FRICTION	361A700120	120N, AKS, ST=170-160, DL=197.5	2	
D30	DAMPER PIN	361A700200	AKS, D=14.5	2	
D31	HOSE VENT	3613267100	EPDM	1	
D32	CLAMP HOSE	3611204700	D27	1	
D33	BALANCER WEIGHT T	3616106500	TOP, 6.0kg	1	
D34	SPECIAL SCREW(BALANCER)	3616029400	SWCH 8.5x30	3	
D35	PULLEY	3618433200	ALDC	1	
		3618433500	PA6+GF30%, KEP 1330GF		
D36	SPECIAL BOLT AS	3616029600	SWCH M10xL30, F/L BOLT	1	
D37	BELT V	3616591100	MEGADTNE 5RIB, POLYURETHANE	1	
D38	HEATER WASH	3612800800	220V 2KW 24.2Ω 8.6W/SQ	1	
		3612801200	230V 2KW 26.45Ω 8.6W/SQ		
		3612801500	240V 2KW 28.8Ω 8.6W/SQ		
D39	UNIT BUBBLE PUMP	36189L4120	220-240V DBK-204DB	1	OPTION
D40	SPRING SUSPENSION	3615114500	D3.2, L158	2	

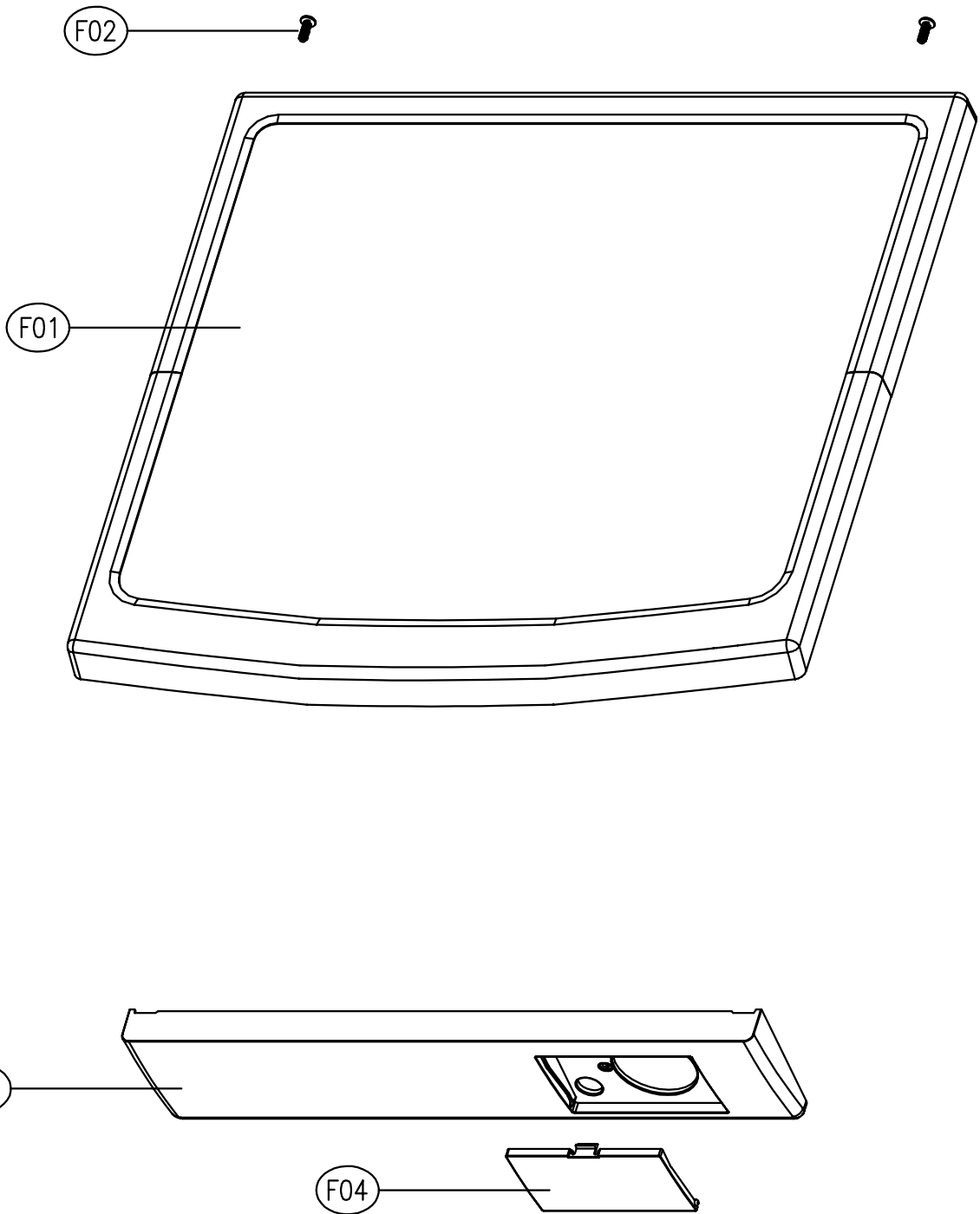
■ CABINET AS



No.	PART NAME	PART CODE	SPECIFICATION	Q'TY	REMARK
E01	CABINET	3610811100	SGCC, T0.8, PAINTING	1	
E02	SPECIAL SCREW	3616029100	M4x12.5, MACHINE	2	
E03	FRAME UPPER	3612205800	SGCC T1.2 55X580	1	
E04	SCREW TAPPING	3616029950	TTS"S" HEX F/L 4X8	4	
E05	FRAME TOP-L	3612205600	SGCC T1.6 52x500	1	
E06	FRAME TOP-R	3612205700	SGCC T1.6 52x500	1	
E07	STOPPER SPRING	3615202200	POM	2	
E08	COVER BACK AS	3611425510	SGCC 0.35T + EPDM 2T	1	
E09	SENSOR PRESSURE	3614825300	5V DRUM DL-DW11 INLET 90	1	
E10	FRAME LOWER	3612205500	SGCC T1.2 160X580	1	
E11	BASE U-L	3610392200	SGCC T1.6 100x500	1	
E12	BASE U-R	3610392300	SGCC T1.6 100x500	1	
E13	UNIT DRAIN PUMP AS	36189L4F10	220-240V/50Hz B20-6 DRUM	1	
		36189L4E10	220V/60Hz B20-5 DRUM		
E14	CAP WATER REMAIN	3610916800	PP	1	
E15	HOSE WATER REMAIN	3613267800	EPDM, ID8.5, L200	1	
E16	LEG ADJUST AS	3617703810	MFZN M10x1.25 + BUTYLE	4	
E17	EMI FILTER	3611908600	NOISE FILTER(TRIAC TYPE)	1	
E18	CUFF DRAIN HOSE	3616802500	PP	1	
E19	GUIDE DRAIN HOSE	3612510400	PP	1	
E20	HOSE DRAIN I AS	3613268400	L=870	1	
E21	CLAMP HOSE	3611204700	D27	1	
E22	REACTOR AS	3615800100		1	OPTION

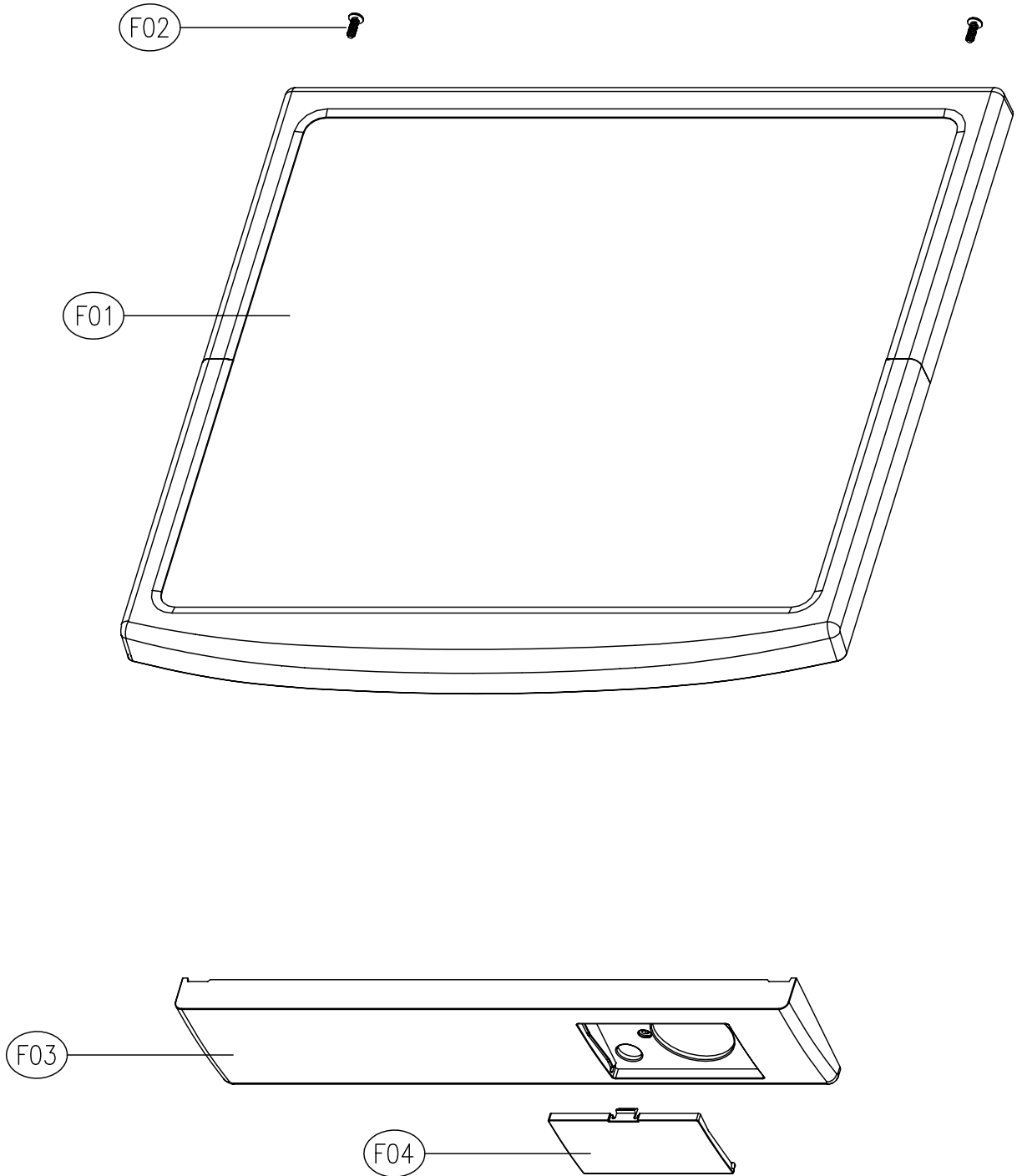


■ PLATE T AS + PANEL LOWER AS (DWD-F1X1X SERIES)



No.	PART NAME	PART CODE	SPECIFICATION	Q'TY	REMARK
F01	PLATE T AS	3614532900	HIPS, MFC, WH	1	DWD-F1X13
		3614532910	ABS+UV SPRAY, MFC, SILVER		
F02	SCREW TAPPING	7122401411	T2S TRS 4X14 MFZN	2	
F03	PANEL LOWER	3614282801	HIPS	1	
F04	COVER PUMP FILTER	3611425801	HIPS	1	

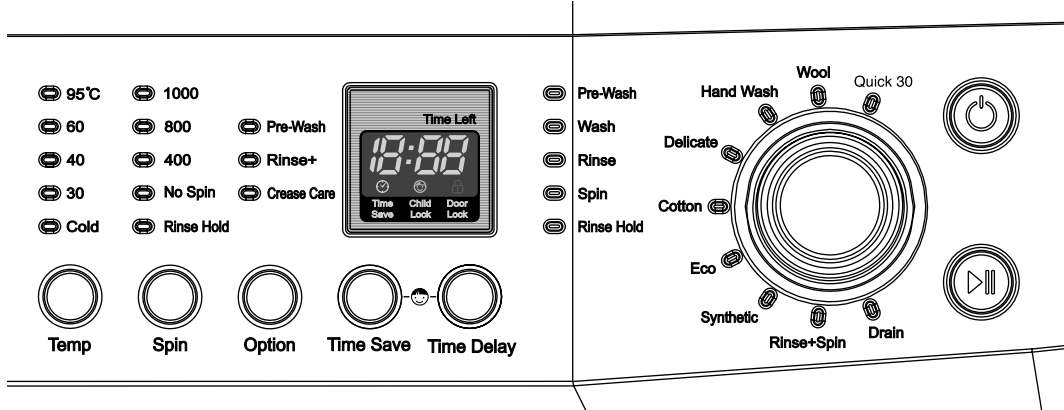
■ PLATE T AS + PANEL LOWER AS (DWD-F1X2X SERIES)



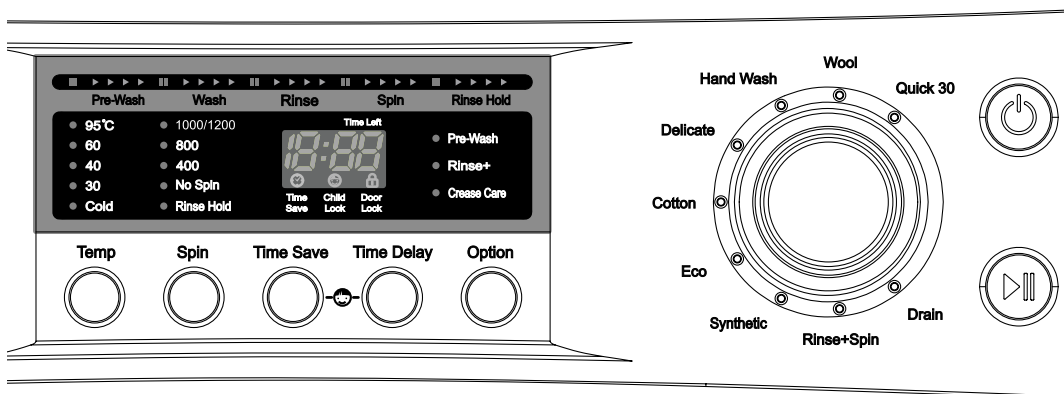
No.	PART NAME	PART CODE	SPECIFICATION	Q'TY	REMARK
F01	PLATE T AS	3614532920	HIPS, MFC, WH	1	DWD-F1X23
		3614532930	ABS+UV SPRAY, MFC, SILVER		
F02	SCREW TAPPING	7122401411	T2S TRS 4X14 MFZN	2	
F03	PANEL LOWER	3614282801	HIPS	1	
F04	COVER PUMP FILTER	3611425801	HIPS	1	






# 6. FUNCTIONS OF THE CONTROL PANEL



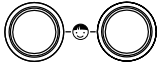
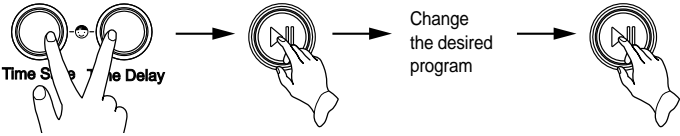
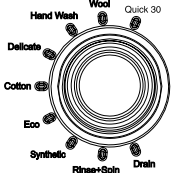
## ■ DWD-F1X1X SERIES



## ■ DWD-F1X2X SERIES



 Power	<p><b>Power Switch</b> Press this button to turn the power ON or OFF.</p>
 Start/Hold	<p><b>Start/Hold</b> This button is used to start wash cycle or stop temporarily. When you want to change program in operating, press this button.</p>
 Temp	<p><b>Temperature Button</b> This button can be used to adjust temperature of water according to types of the load to be washed.</p>
 Spin	<p><b>Spin Speed Button</b> By pressing this button, the spin speed can be chosen. <b>No Spin</b> If no spin is selected, the washer stops after draining water. <b>Rinse Hold</b> This function leaves clothes in the machine suspended in the water after a rinse without entering into spin.</p>
 Option	<p><b>Option Button</b> By pressing this button, all option functions may be selected. <b>Pre-Wash</b> If the laundry is heavily soiled, Pre-Wash course is effective. Pre-Wash is available in Cotton and Synthetic. <b>Rinse+</b> By selecting Rise+ function, the rinse time and the rinse water are increased. <b>Crease Care</b> If you want to prevent crease, select this button with spin speed.</p>

 <p>Time Save</p>	<p><b>Time Save Button</b></p> <p>By pressing this button, you can decrease pre-set washing time to 10 minutes. Time save is available in Cotton, Eco and Synthetic.</p>
 <p>Time Delay</p>	<p><b>Time Delay Button</b></p> <p>If you want to reserve the finishing time of washing, use this button. If the Time Delay button is pressed, "2:00" is displayed. The maximum delayed time is 12:00 hours and the minimum time is 2:00 hours. Each pressing of the button advances on time delay by one hour.</p>
 <p>Time Save Time Delay</p>	<p><b>Child Lock Button</b></p> <p>If you want to protect any accident occurring from handling of washer by a child, use this function. Child Lock can be set by pressing "Time Save" and "Time Delay" buttons simultaneously.</p> <p><i>*When Child Lock is set, no button functions except Power button.</i></p> <p>To cancel Child Lock, press "Time Save" and "Time Delay" buttons simultaneously again.</p> <p>To change to the desired program, while in child lock mode.</p> <ol style="list-style-type: none"> <li>1. Press both "Time Save" and "Time Delay" buttons together once again.</li> <li>2. Press the Start/Hold button.</li> <li>3. Select the desired program and press the Start/Hold button again.</li> </ol> 
	<p><b>Program Dial</b></p> <p>When Start/Hold button is pressed, the Cotton program is automatically selected. By turning the Program Dial, the program is selected in order of "Cotton↔Delicate ↔Hand Wash↔Wool↔Quick 30↔Drain↔Rinse+Spin↔Synthetic↔Eco"</p>

# 7. FUNCTIONS OF THE CONTROLLER

## ■ SEQUENCE CHART

Division		Progress Time	Cotton		Synthetic		Eco	
			S	L	S	L	S	L
PRE WASH	Sensing	20sec.						
	Water Supply	2min.						
	Pre Wash	10min.						
		8min.						
	Drain	1min.						
	B-Spin	1min.						
Middle Spin	3min.							
MAIN WASH	Sensing	20sec.	■	■	■	■	■	■
	Water Supply	2min.	■	■	■	■	■	■
	Wash 1 (Heating)	70min.						
		60min.						
		35min.						
		30min.						
		20min.						
		15min.						
10min.								
Wash 2	83min.							
	63min.							
	23min.							
RINSE	Drain	1min.	■	■	■	■	■	■
	B-Spin	1min.	■	■	■	■	■	■
	Middle Spin	4min.	■	■	■	■	■	■
	Water Supply	2min.	■	■	■	■	■	■
	Rinse 1	3min.	■	■	■	■	■	■
	Drain	1min.	■	■	■	■	■	■
	B-Spin	1min.	■	■	■	■	■	■
	Middle Spin	4min.	■	■	■	■	■	■
	Water Supply	2min.	■	■	■	■	■	■
	Rinse 2	3min.	■	■	■	■	■	■
	Drain	1min.	■	■	■	■	■	■
	B-Spin	1min.	■	■	■	■	■	■
	Middle Spin	4min.	■	■	■	■	■	■
	Water Supply	2min.	■	■	■	■	■	■
	Rinse 3	3min.	■	■	■	■	■	■
SPIN	Drain	1min.	■	■	■	■	■	■
	B-Spin	1min.	■	■	■	■	■	■
	Main Spin	8min.	■	■	■	■	■	■
END	Untangle	2min.	■	■	■	■	■	■
	End	10sec.	■	■	■	■	■	■
<b>Remained Time Display</b>			1:25	1:30	1:25	1:30	1:40	1:45
NOTE		<ul style="list-style-type: none"> <li>The washing time may vary by the amount of laundry, water pressure, water temperature and other washing conditions. If an unbalanced load is detected or if suds removing program operates, the washing time maybe extended. (Maximum increasing time is about 1hour.)</li> </ul>						

Division		Progress Time	Wool	Delicate	Hand Wash	Quick 30	Rinse+Spin
			S	S	S	S	S
PRE WASH	Soak	30min.					
	Water Supply	2min.	■	■	■		
		1min.				■	
	Wash 1 (Heating)	15min.					
		10min.					
		5min.				■	
	Wash 2	20min.		■	■		
10min.			■	■			
5min.			■	■	■		
RINSE	Drain	1min.	■	■	■	■	■
	B-Spin	1min.	■	■	■		■
	Middle Spin	4min.	■	■	■		■
	Water Supply	2min.	■	■	■		■
		1min.				■	
	Rinse 1	3min.	■	■	■	■	■
	Drain	1min.	■	■	■	■	
	B-Spin	1min.	■	■	■		
	Middle Spin	4min.	■	■	■		
	Water Supply	2min.	■	■	■		
		1min.				■	
	Rinse 2	3min.	■	■	■	■	
	Drain	1min.			■		
	B-Spin	1min.			■		
	Middle Spin	4min.			■		
Water Supply	2min.			■			
	1min.						
Rinse 3	3min.			■			
SPIN	Drain	1min.	■	■	■	■	■
	B-Spin	1min.	■	■	■	■	■
	Main Spin	8min.	■	■	■	■	■
END	Untangle	2min.	■	■	■	■	■
	End	10sec.	■	■	■	■	■
<b>Remained Time Display</b>			56	56	57	33	23
NOTE		<ul style="list-style-type: none"> <li>The washing time may vary by the amount of laundry, water pressure, water temperature and other washing conditions. If an unbalanced load is detected or if suds removing program operates, the washing time maybe extended. (Maximum increasing time is about 1hour.)</li> </ul>					

## 8. FUNCTION OF THE CONVENIENT SERVICE

### ■ The test mode of the load movement

You can check the PCB ASS'Y and the condition of each load movement simply.

#### • The method to enter

- ① Press the Power switch button.
- ② Press the Option button 3 times while press the Temp button.  
At this time, the version is displayed on the Custom LED
- ③ Each load makes a movement as follows, whenever the Time Delay button is pressed a time.  
1200(RPM) → C:H (Cold/Hot option)  
→ L C (Lock Close) → H (Hot valve)  
→ C (Cold valve) → P (Pre-Wash valve) → bb (bubble)  
→ dr (drain pump) → L O (Lock switch Open)

### ■ The check mode of the water level frequency

You can check the beginning frequency and the frequency by the variation of the water level.

#### • The method to enter and operate

- ① Press the Power switch button.
- ② Press the Time Delay button 3 times while press the Temp button and the Spin button.
- ③ the beginning display on "18:88 LED" is the current frequency of the water level.

ex) **5 6 2** = 25.62kHz

: It display three number except the first number of 25.62kHz

- ④ When you press the Temp button a time → Cold valve On  
2 times → Cold valve Off  
3 times → Drain pump On

## 9. TROUBLESHOOTING GUIDE

This washing machine is equipped with automatic safety function which detect and diagnose faults at an early stage and react appropriately.

When the machine does not function properly or does not function at all, check the following points.

SYMPTOM	CAUSE	SOLUTION
Rattling and clanking noise	Foreign objects such as coins or safety pins maybe in the drum or pump	Stop washer and check drum and filter.
Thumping sound	Heavy wash loads may produce a thumping sound. This is usually normal.	If sound continues, washer is probably out of balance. Stop and redistribute wash load.
Vibrating noise	Have all the transit bolts and packing been removed?	If not removed during installation. Refer to Installation guide for removing transit bolts.
	Are all the feet resting firmly on the ground?	Wash load may be unevenly distributed in drum. Stop washer and rearrange wash load.
Water leaks.	Inlet hoses or drain hose are loose at tap or washer.	Check and tighten hose connections.
	House drain pipes are clogged.	Unclog drain pipe. Contact plumber if necessary.
Oversudsing		Too much detergent or unsuitable detergent may cause excessive foaming which may result in water leaks.
Water does not enter washer or it enters slowly.	Water supply is not adequate in area.	Check another tap in the inlet house.
	Water supply tap is not completely open.	Fully open tap.
	Water inlet hose is kinked.	Straighten hose.
	The filter of the water inlet is clogged.	Check the filter of the water inlet.
Water in the washer does not drain or drains slowly.	Drain hose is kinked or clogged.	Clean and straighten drain hose.
	The drain filter is clogged.	Clean the drain filter.



SYMPTOM	CAUSE	SOLUTION
Washer does not start.	Electronical power cord may not be plugged in or connection may be loose.	Make sure plug fits tightly in wall outlet.
	House fuse blown, circuit breker tripped, or a power outage has occurred.	Reset circuit breaker or replace fuse. Do not increase fuse capacity. If problem is a circuit overload, have it corrected by a qualified electrician.
	Water supply tap is not turned on.	Turn on water supply tap.
Washer will not spin.	Check that the door is firmly shut.	Close the door and press the Start/Pause button. After pressing the Start/Pause button, it may take a few moments before the clothes washer begins to spin. The door must lock before spin can be achieved. "
Door does not open.		Once started, the door can not be opened for safety reasons. Wait two minutes before opening the door to give the electric locking mechanism time to release.
Wash cycle time delayed		The washing time may vary by the amount of launtry, water pressure, water temperature and other usage conditions. If the imbalance is detected, the wash time shall be increased.
The washer will stop during spinning . Spinning is insufficient.	PFE error due to much detergent and unsuitable detergent	If PFE error mode was displayed on the control part, in order to solve this problem, first turn off the power of the washing machine, second turn on the power pressing Power button, third press SPIN button and last press Start/Hold button.

MESSAGE	ERROR	CAUSE	SOLUTION
IE	WATER INLET ERROR	The water tap is closed.	Open the water tap.
		The filter of the valve inlet is clogged.	Clean the filter of the valve inlet.
		The valve inlet is an inferior product or broke down.	Change the valve inlet.
		The water level sensor (sensor pressure) is an inferior product or broke down.	Change the water level sensor (sensor pressure).
		The drain motor works during water supply.	Change the drain motor.
		The PCB ASS'Y does not check the water level.	Change the PCB ASS'Y.
OE	DRAIN ERROR	The drain hose is kinked or clogged.	Clean and straighten the drain hose.
		The drain motor is an inferior product.	Change the drain motor.
		The valve inlet works during drain.	Change the valve inlet
		The water level sensor is an inferior product.	Change the water level sensor.
		The PCB ASS'Y does not check the water level.	Change the PCB ASS'Y.
UE	UNBALANCE ERROR	The laundry is concentrated to one side of the drum during spin.	Rearrange the laundry.
LE	DOOR OPEN ERROR	The Start/Hold button is pressed while the door is opened.	Close the door.
		The switch door lock is an inferior product.	Change the switch door lock.
		The PCB ASS'Y does not check the door lock.	Change the PCB ASS'Y.
E2	OVERFLOW ERROR	The water is supplied continuously due to an inferior valve inlet.	Change the valve inlet.
		The valve inlet is normal, but the water level sensor (sensor pressure) is inferior.	Change the water level sensor (sensor pressure).
		The drain motor dose not work. (The drain motor is an inferior product or broke down.)	Change the drain motor.
E4	LEAKAGE ERROR	Water leaks from the tub or the hose drain.	Check the leak of the tub or the hose drain. Then change the tub or the hose drain.
E5	HIGH VOLTAGE ERROR	The laundry is jammed between the gasket and the drum.	Rearrange the laundry.
		The PCB ASS'Y is an inferior product.	Change the PCB ASS'Y.
E6	EMG ERROR	The laundry is jammed between the gasket and the drum.	Rearrange the laundry.
		The motor is an inferior product.	Change the motor.
		The PCB ASS'Y is an inferior product.	Change the PCB ASS'Y.
E8	MOTOR ERROR	The motor is not normally connected.	Check the connector of the motor.
		The motor does not work. (The motor is an inferior product or broke down.)	Change the motor.
E9	SENSOR PRES-SURE ERROR	The water level sensor is an inferior product.	Change the water level sensor.
H2	THERMISTOR WASH ERROR	The thermistor wash is an inferior product or broke down.	Change the thermistor wash.
		The thermistor wash is not connected normally.	Check the connector of the thermistor wash.
H4	THERMISTOR WASH OVERHEATING ERROR	The heater worked without the water in the tub.	Check the water level.
		The thermistor wash is an inferior product or broke down.	Change the thermistor wash.

MESSAGE	ERROR	CAUSE	SOLUTION
H5	WATER TEMP. ERROR	The water temp. is over 45°C in delicate & wool course. (The thermistor wash is an inferior product or broke down.)	Change the thermistor wash.
H6	HEATER WASH ERROR	The heater wash dose not work. (The water temp. doesn't rise over 2°C during 15min.)	Change the heater wash.
H8	HEATER WASH OVERHEATING ERROR	The heater worked without the water in the tub.	Check the water level and the heater wash.
lb	IGBT ERROR	The PCB ASS'Y is an inferior product.	Change the PCB ASS'Y.
PFE	PUMP FILTER ERROR	The drain pump filter is clogged.	Clean the drain pump filter.
		The drain pump does not work during spin.	Change the drain pump.
		The large amount of detergent was used.	Use the proper amount of detergent.
		The drain hose is placed higher than 1m above the floor.	Place the drain hose 1m below the floor



**DAEWOO**

**DAEWOO ELECTRONICS CORP.**  
686, AHYEON-DONG MAPO-GU SEOUL, KOREA  
C.P.O. BOX 8003 SEOUL, KOREA  
TELEX: DWELEC K28177-8  
CABLE: "DAEWOOELEC"

PRINTED DATE: Mar. 2005

S/M No. : WDF1011001