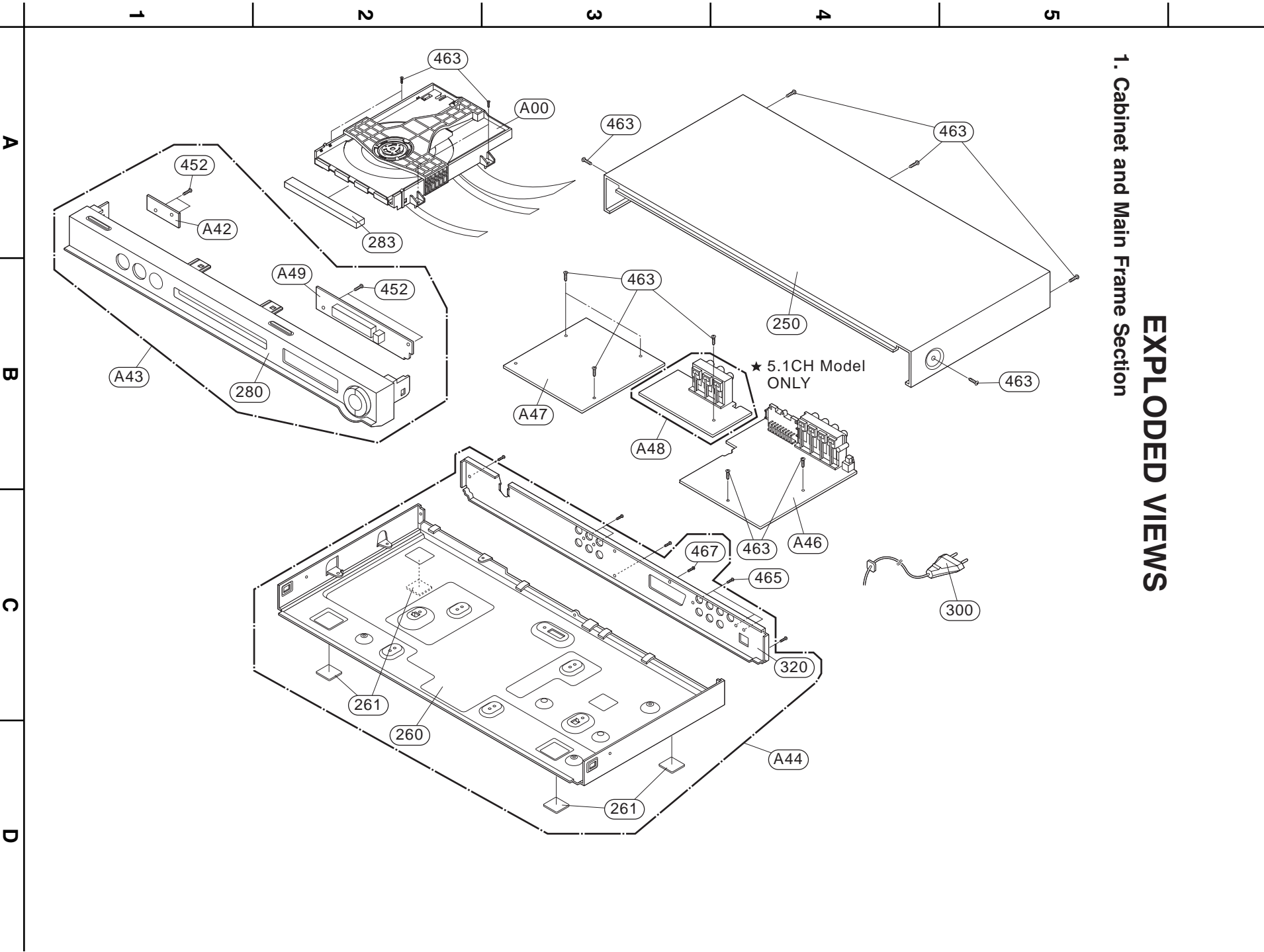
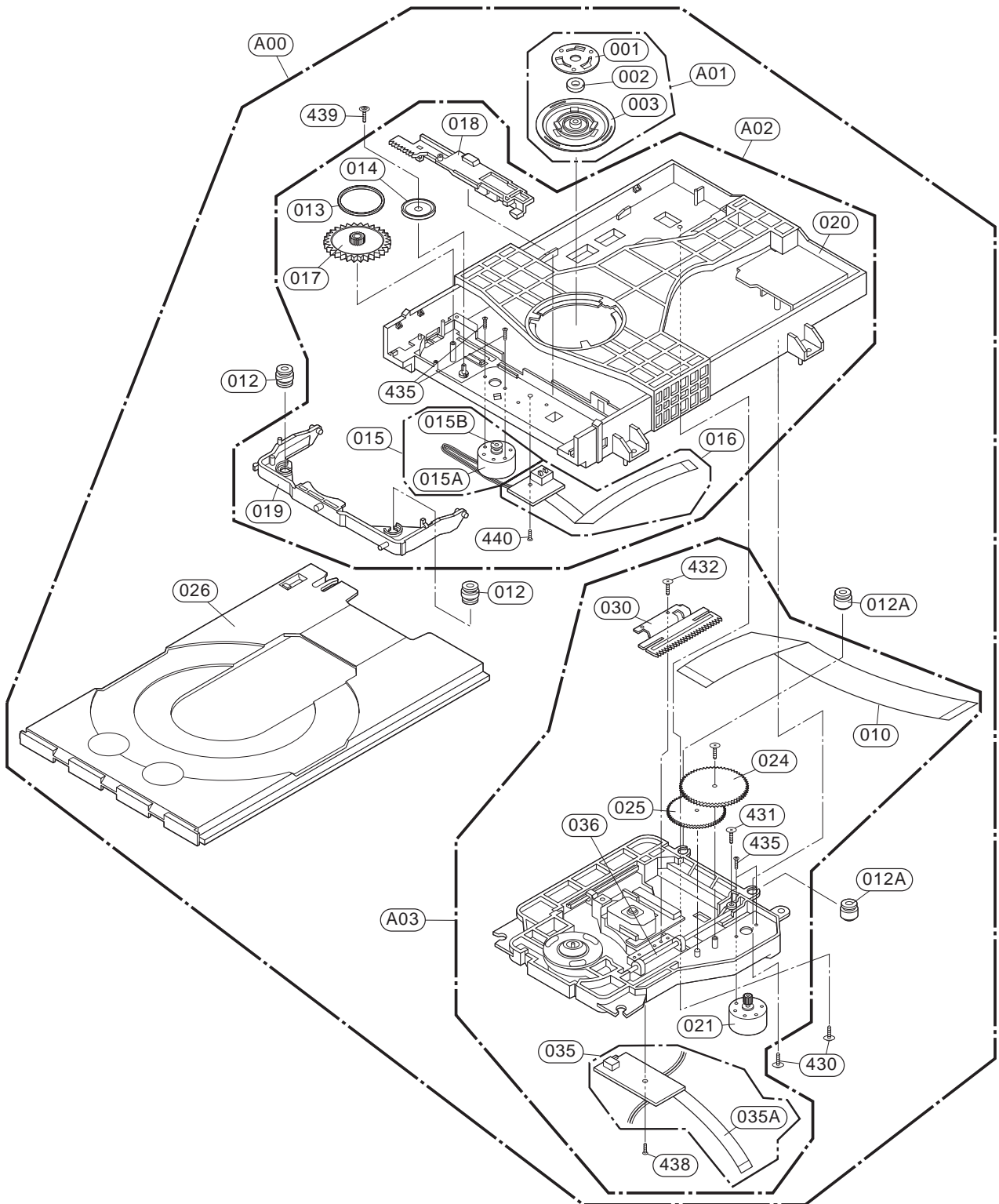


EXPLODED VIEWS

1. Cabinet and Main Frame Section



2. Deck Mechanism Section(DP-9)



3. Packing Accessory Section

