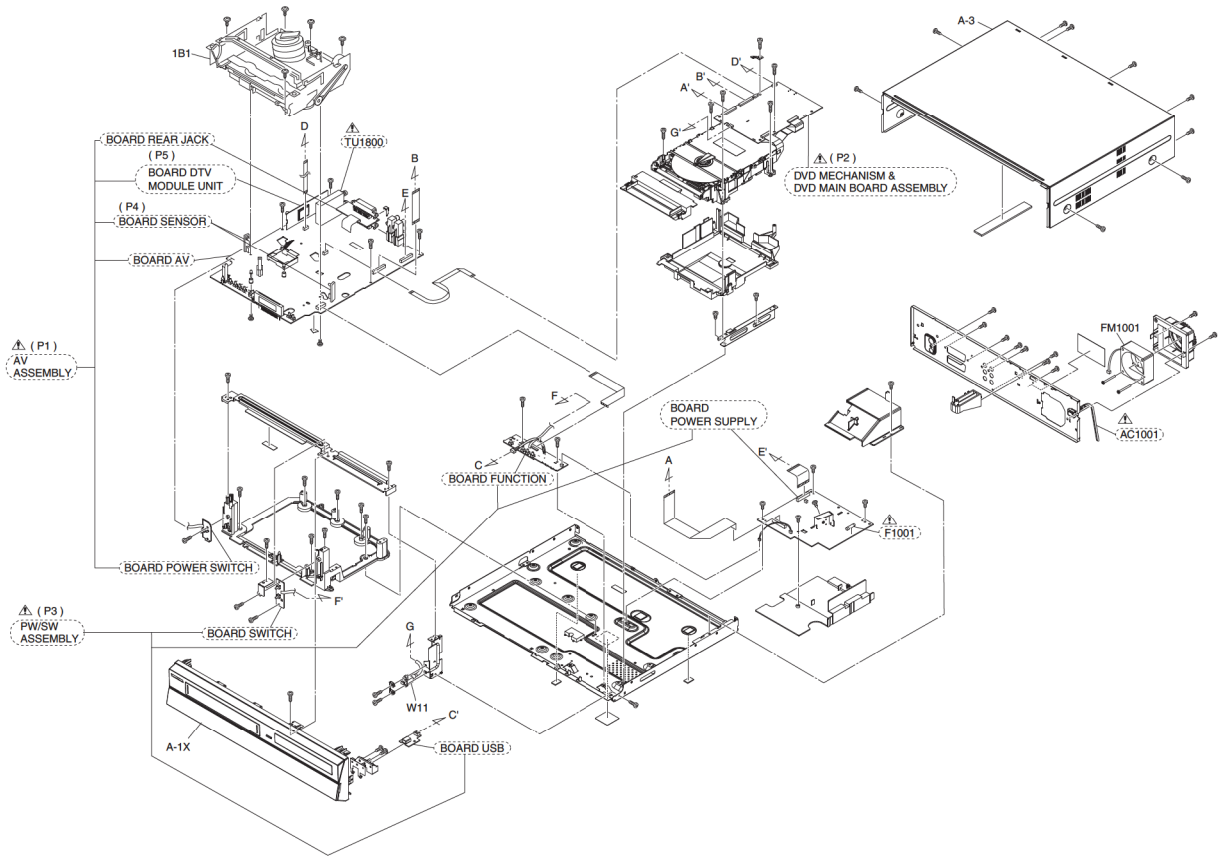


EXPLODED VIEWS

NOTE: BOARD MEANS PRINTED CIRCUIT BOARD.

Cabinet

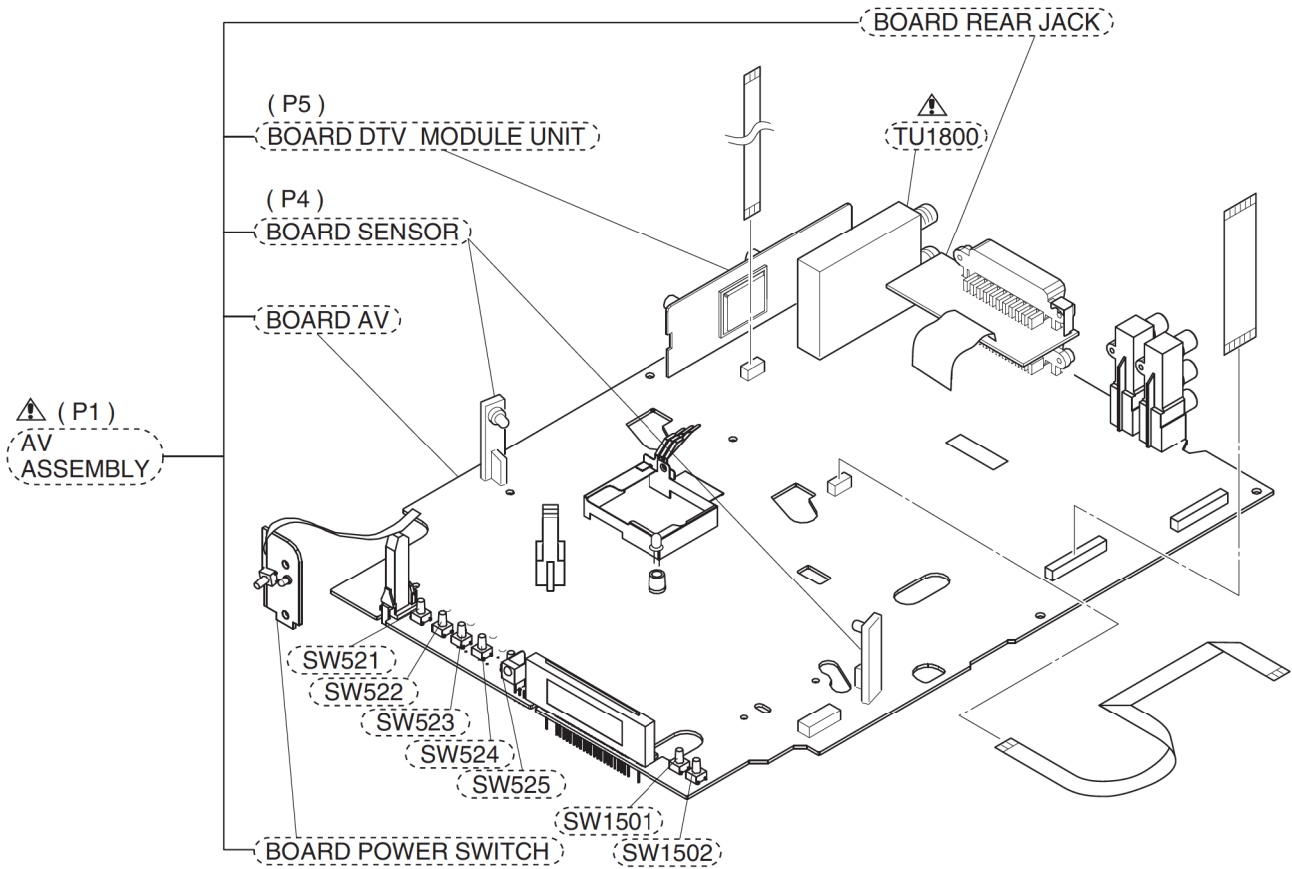
See Electrical Parts List for parts with this mark.



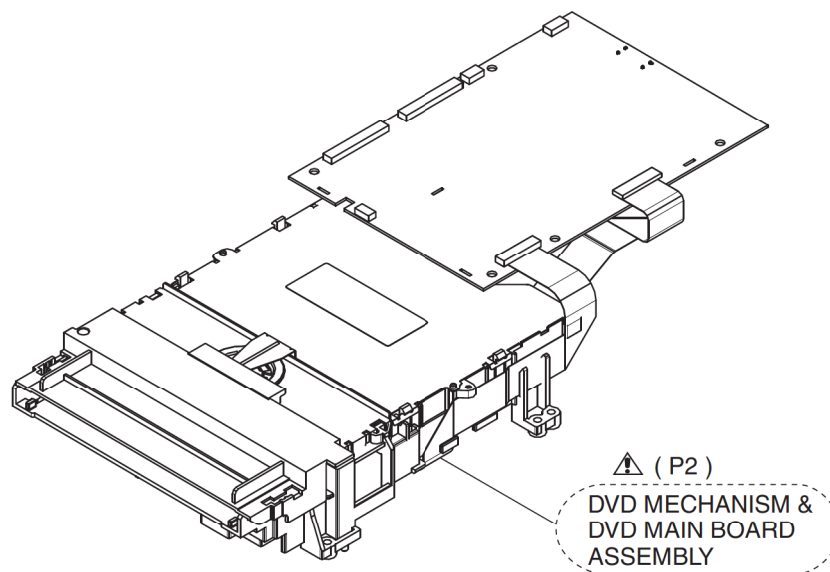
(P1) AV ASSEMBLY

(P4) BOARD SENSOR

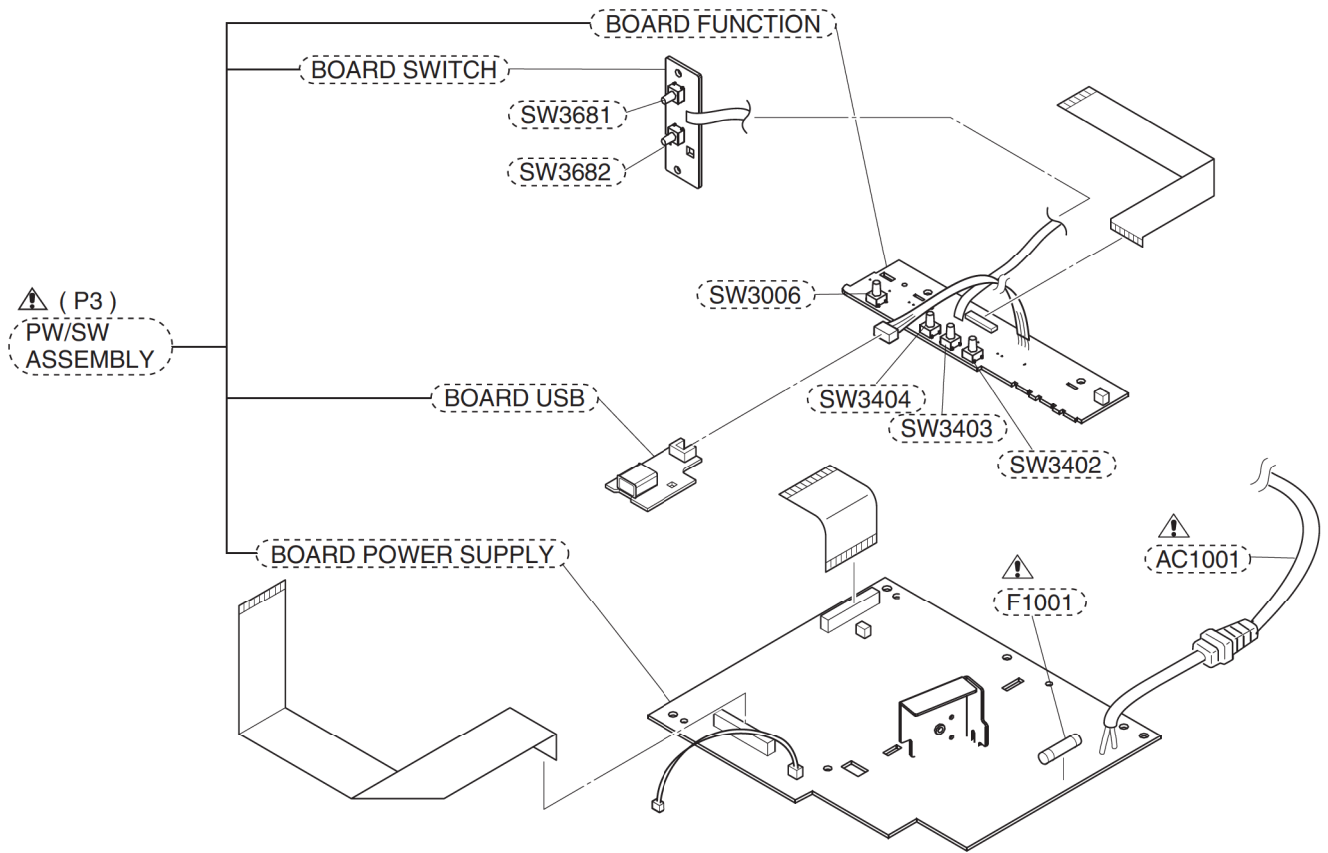
(P5) BOARD DTV MODULE UNIT



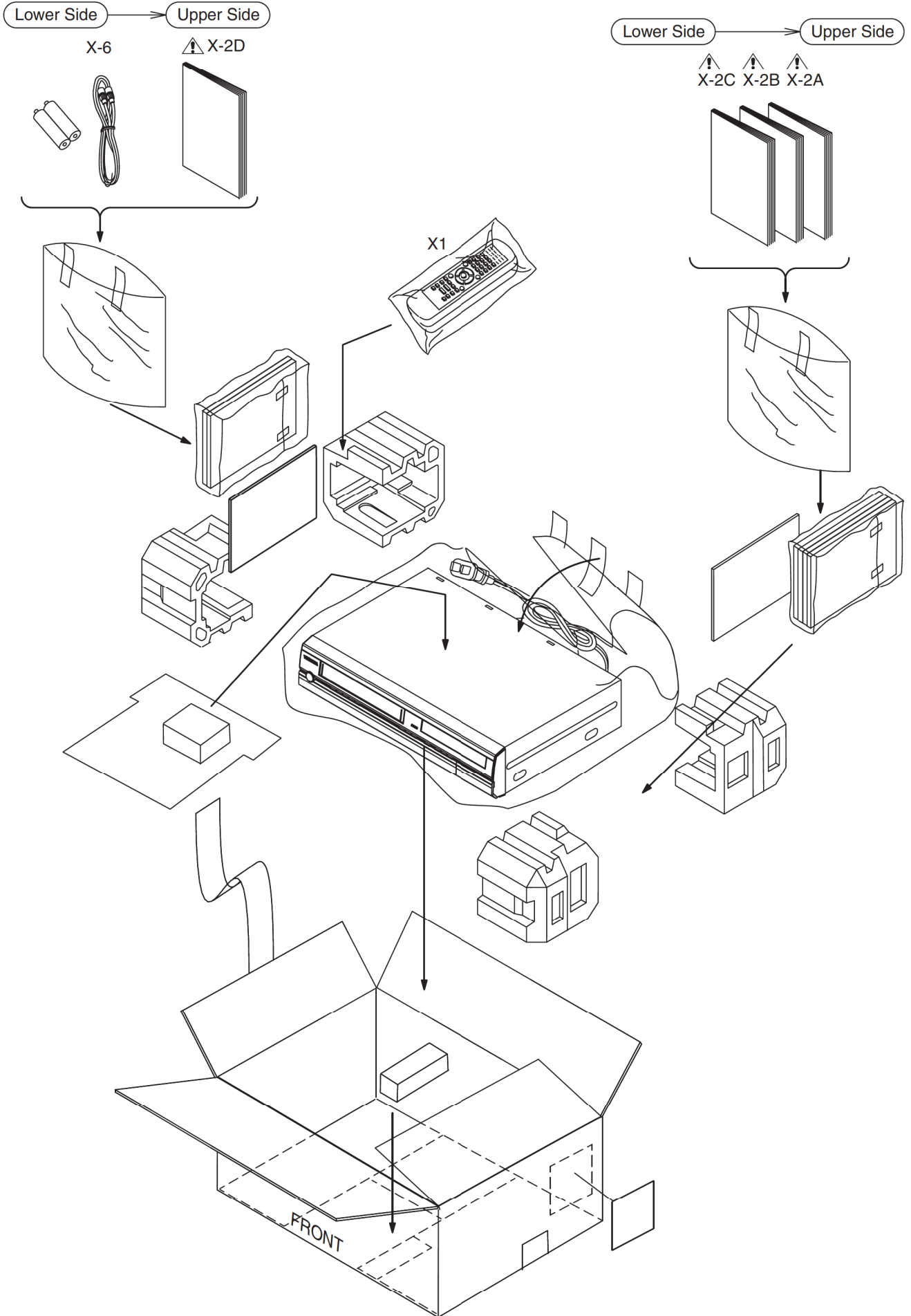
(P2) DVD MECHANISM & DVD MAIN BOARD ASSEMBLY



(P3) PW/SW ASSEMBLY



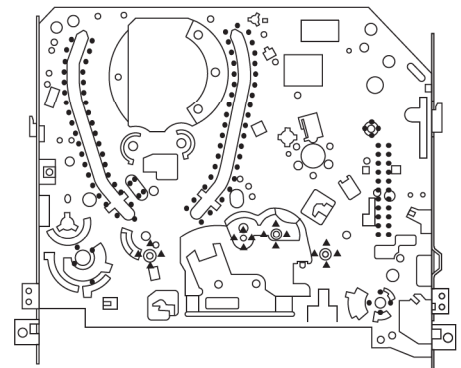
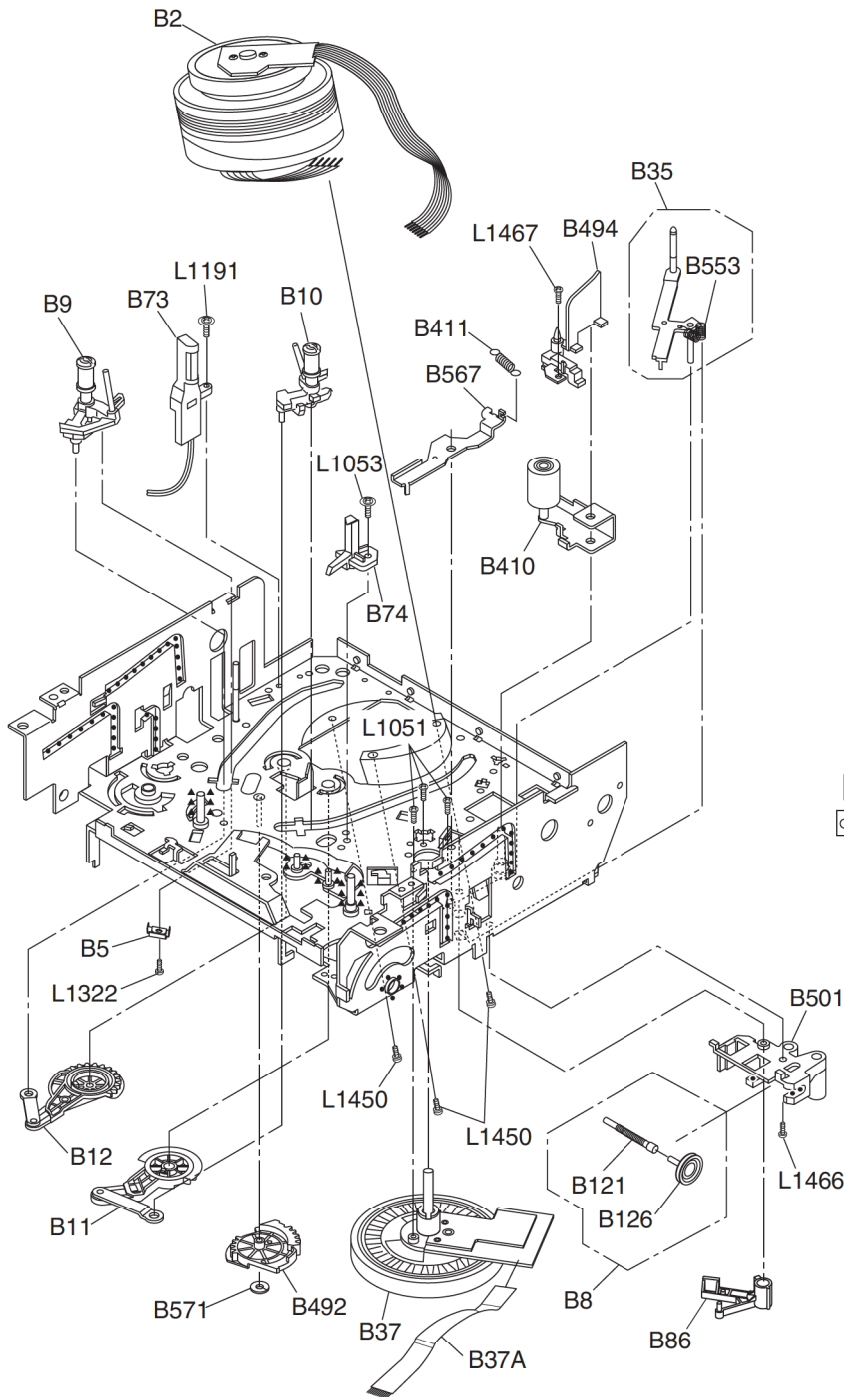
Packing



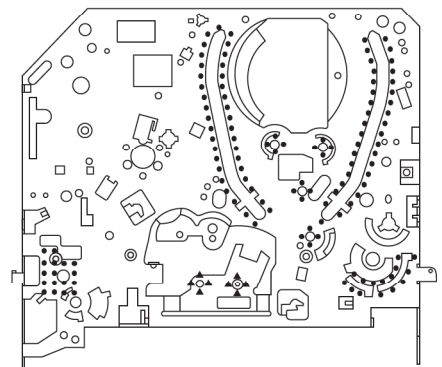
DECK EXPLODED VIEWS

Deck Mechanism View 1

Mark	Description
•••••	Floil G-684G or Multemp MH-D (Blue grease)
▲▲▲▲▲	SLIDUS OIL #150



Chassis Assembly
Top View (Lubricating Point)

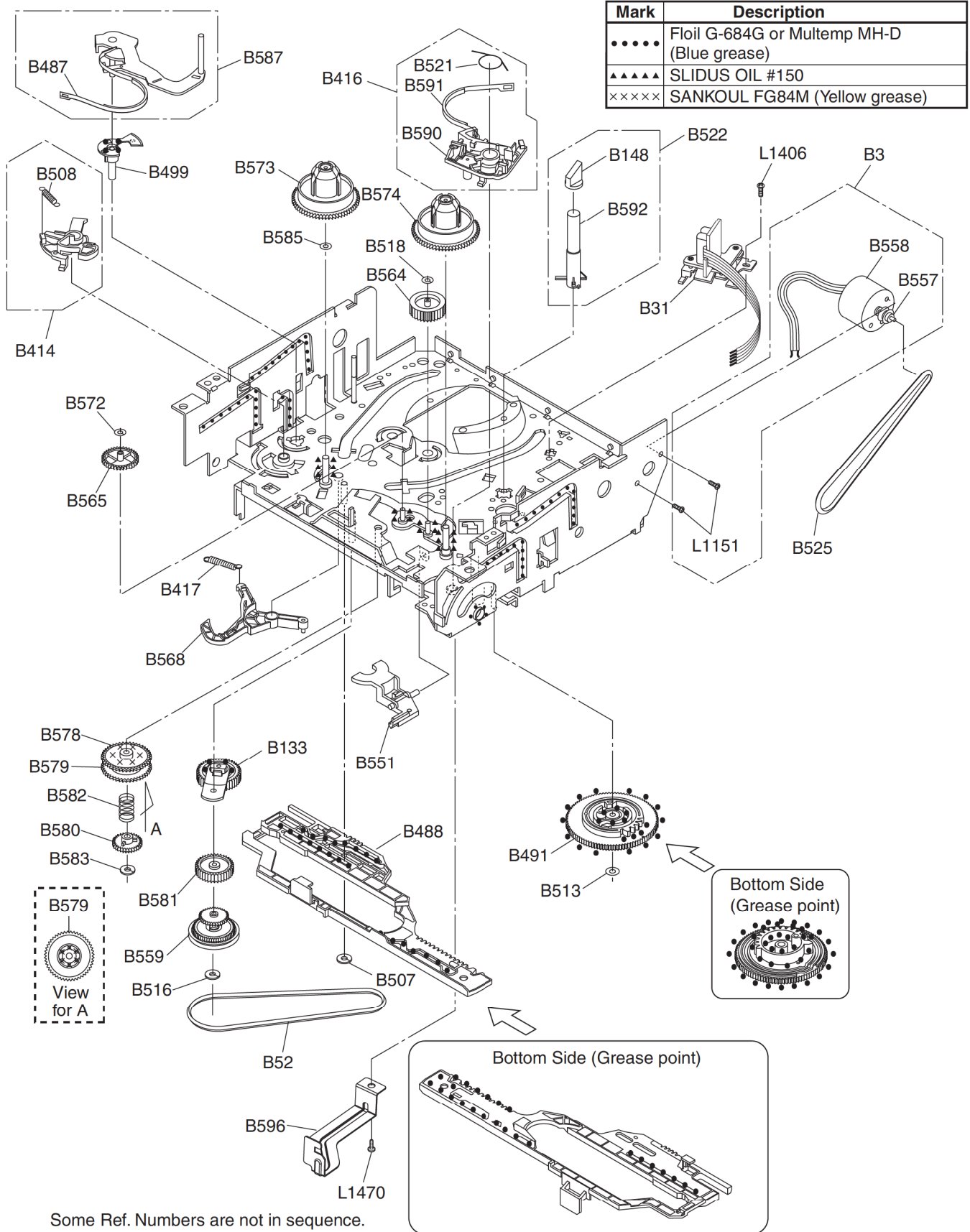


Chassis Assembly
Bottom View (Lubricating Point)

Some Ref. Numbers are not in sequence.

Note: When removing FFC(B37A) of Capstan Motor from BOARD AV, be sure to replace the new FFC(B37A). (Don't solder FFC which removed once again)

Deck Mechanism View 2



Deck Mechanism View 3

Mark	Description
•••••	Floid G-684G or Multemp MH-D (Blue grease)
▲▲▲▲▲	SLIDUS OIL #150

