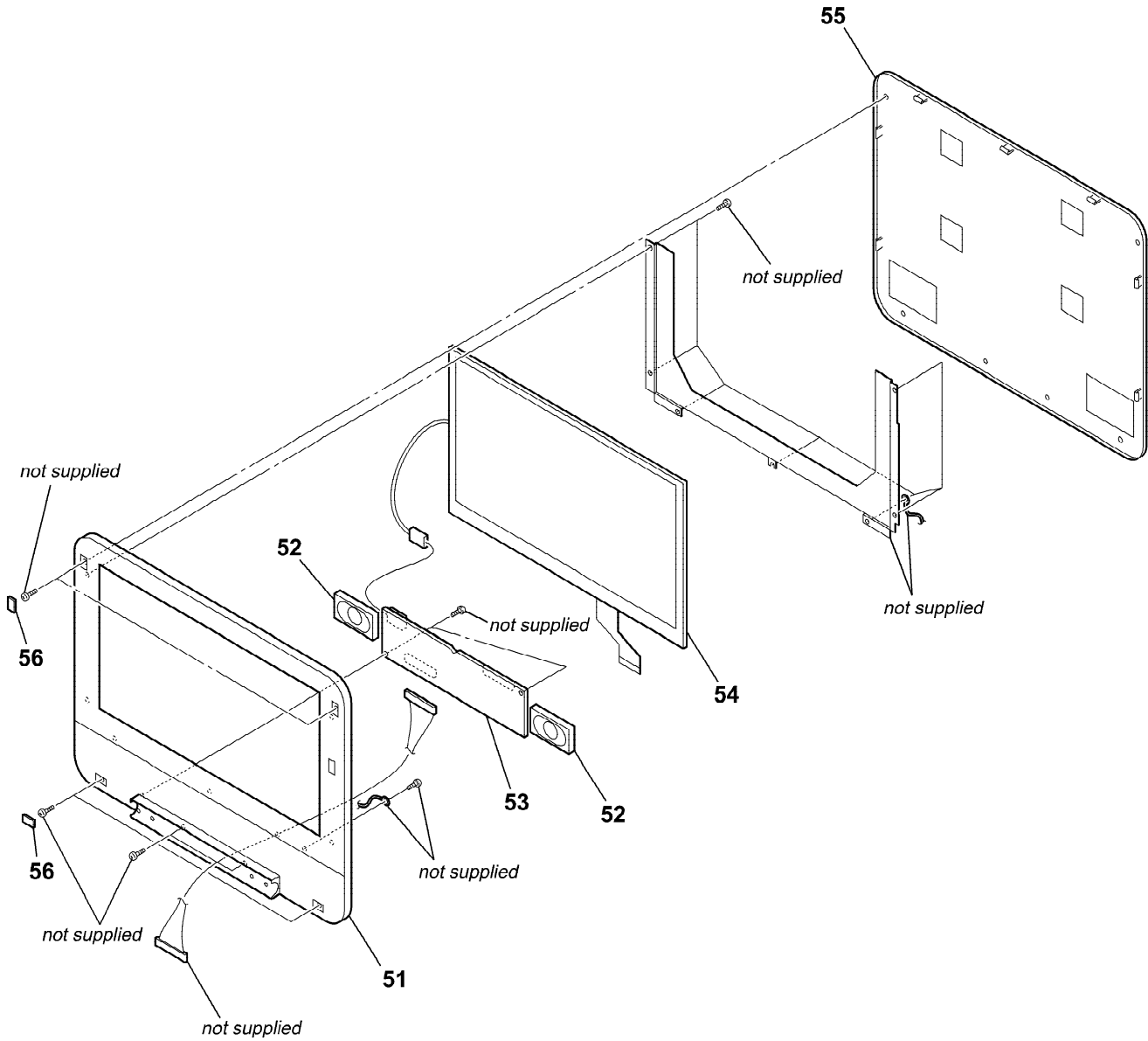


10-1-2. LCD BLOCK



The components identified by mark \triangle or dotted line with mark \triangle are critical for safety. Replace only with part number specified.

Ref. No.	Part No.	Description	Remark	Ref. No.	Part No.	Description	Remark
51	A-1382-935-A	BEZEL COVER ASSY (030-0001-563)		55	A-1539-323-A	HOUSING COV. ASSY (030-0003-564) (PINK)	
52	9-885-115-85	SPEAKER (570201C00-600-G)		55	A-1539-337-A	HOUSING COV. ASSY (030-0002-564) (RED)	
53	A-1382-936-A	LCD BOARD, COMPLETE (02-06040450-00)		55	A-1539-344-A	HOUSING COV. ASSY (030-0004-564) (BLUE)	
\triangle 54	9-885-115-86	LCD SCREEN (AT070TN07V.A)		56	9-885-115-90	PANEL RUBBER (090-0001-1198)	
55	A-1382-933-A	HOUSING COV. ASSY (030-0001-564) (WHITE)					

KEY**LCD****MAIN****USB****10-2. ELECTRICAL PARTS LIST****NOTE:**

- Due to standardization, replacements in the parts list may be different from the parts specified in the diagrams or the components used on the set.
- -XX and -X mean standardized parts, so they may have some difference from the original one.
- RESISTORS
All resistors are in ohms.
METAL: Metal-film resistor.
METAL OXIDE: Metal oxide-film resistor.
F: nonflammable
- Not all of the parts for POWER BLOCK (ZSSR107G/ZSSR107H) are listed.

- Items marked “*” are not stocked since they are seldom required for routine service. Some delay should be anticipated when ordering these items.
- SEMICONDUCTORS
In each case, u: μ , for example:
uA. . . : μ A. . . uPA. . . : μ PA. . .
uPB. . . : μ PB. . . uPC. . . : μ PC. . .
uPD. . . : μ PD. . .
- CAPACITORS
uF: μ F
- COILS
uH: μ H

The components identified by mark Δ or dotted line with mark Δ are critical for safety. Replace only with part number specified.

When indicating parts by reference number, please include the board.

Ref. No.	Part No.	Description	Remark
	A-1382-943-A	KEY BOARD, COMPLETE (02-06040452-00) *****	
<hr/>			
	A-1382-936-A	LCD BOARD, COMPLETE (02-06040450-00) *****	
<hr/>			
	A-1382-941-A	MAIN BOARD, COMPLETE (02-01041064-00)	(AEP, UK)
	A-1382-942-A	MAIN BOARD, COMPLETE (02-01041065-00)	(Russian)
	A-1443-020-A	MAIN BOARD, COMPLETE (02-01041066-00)	(E)
	A-1510-355-A	MAIN BOARD, COMPLETE (02-01041067-00)	(Singapore, Thai)
	A-1545-553-A	MAIN BOARD, COMPLETE (02-01041072-00)	(New Zealand, Australian)
	A-1551-421-A	MAIN BOARD, COMPLETE (02-01041073-00)	(Saudi Arabia)
<hr/>			
	A-1382-944-A	USB BOARD, COMPLETE (02-06040451-00) *****	
<hr/>			
		MISCELLANEOUS *****	
Δ 4	9-885-116-08	TRAVERS (2Q010SQ00-770-G)	
52	9-885-115-85	SPEAKER (570201C00-600-G)	
Δ 54	9-885-115-86	LCD SCREEN (AT070TN07V.A)	
<hr/>			
		ACCESSORIES & PACKING MATERIALS *****	
	3-274-988-11	MANUAL, INST. (086-0001-8497) (ENGLISH)	(AEP, UK)
	3-274-988-21	MANUAL, INST. (086-0002-8497) (FRENCH)	(AEP)
	3-274-988-31	MANUAL, INST. (086-0003-8497) (GERMAN)	(AEP)
	3-274-988-41	MANUAL, INST. (086-0004-8497) (SPANISH)	(AEP)

Ref. No.	Part No.	Description	Remark
	3-274-988-51	MANUAL, INST. (086-0005-8497) (ITALIAN)	(AEP)
	3-274-988-61	MANUAL, INST. (086-0006-8497) (DUTCH)	(AEP)
	3-274-988-71	MANUAL, INST. (086-0007-8497) (RUSSIAN)	(Russian)
	3-274-989-11	MANUAL, INST. (086-0008-8497) (SPANISH)	(E)
	3-274-989-21	MANUAL, INST. (086-0009-8497) (ENGLISH)	(Singapore, Thai)
	3-274-989-31	MANUAL, INST. (086-0010-8497) (THAI)	(Thai)
	3-274-989-41	MANUAL, INST. (085-0001-2070) (ENGLISH)	(New Zealand, Australian)
	3-274-989-51	MANUAL, INST. (085-0001-2363)	(ENGLISH, ARABIC) (Saudi Arabia)
	9-885-103-56	AV CABLE (010-0001-206)	
Δ	9-885-105-72	POWER CODE (073-0003-2029) (E)	
Δ	9-885-105-82	POWER CODE (073-0002-2029)	(AEP, Russian, Saudi Arabia, Singapore)
Δ	9-885-105-83	POWER CODE (073-0004-2029) (UK)	
Δ	9-885-105-84	POWER CODE (073-0006-2029)	(New Zealand, Australian)
Δ	9-885-116-47	POWER CODE (073-0007-2029) (Thai)	
	9-885-108-32	SHEET, OPEN PREVE (086-0001-041)	
	9-885-110-68	REMOCON RMT-D183 (1-885-110-68)	
	9-885-115-77	DCC-FX151 (G12PCL-513-0031)	(E, Saudi Arabia, Singapore, Thai)
	9-885-113-61	DCC-FX150 (G12PCL-513-0021)	(AEP, UK, Russian)
	9-885-116-65	DCC-FX150 (G12PCL-513-0041)	(New Zealand, Australian)
	9-885-116-23	NP-FX120 (890201C01-815-G)	(EXCEPT New Zealand, Australian)
	9-885-120-06	NP-FX120 (890201C02-815-G)	(New Zealand, Australian)
Δ	9-885-116-48	AC-FX151 (SYBR019H831LFA)	(E, Saudi Arabia, Singapore, Thai)
Δ	9-885-116-64	AC-FX150 (SYBR019H832LFA)	(AEP, UK, Russian, New Zealand, Australian)

