

# DVD Player

DVP5140, DVP5140K, DVP5142, DVP5965K, DVP5960

# Service

DVP5140/12/05/37, DVP5960/12/05/37

DVP5140K/5 1/98/93, DVP5142/12

DVP5965K/98/93/75/55/96

# Service

# Service




# Service Manual

Copyright 2006 Philips Consumer Electronics B.V. Eindhoven, The Netherlands  
All rights reserved. No part of this publication may be reproduced, stored in a retrieval system or transmitted, in any form or by any means, electronic, mechanical, photocopying, or otherwise without the prior permission of Philips.

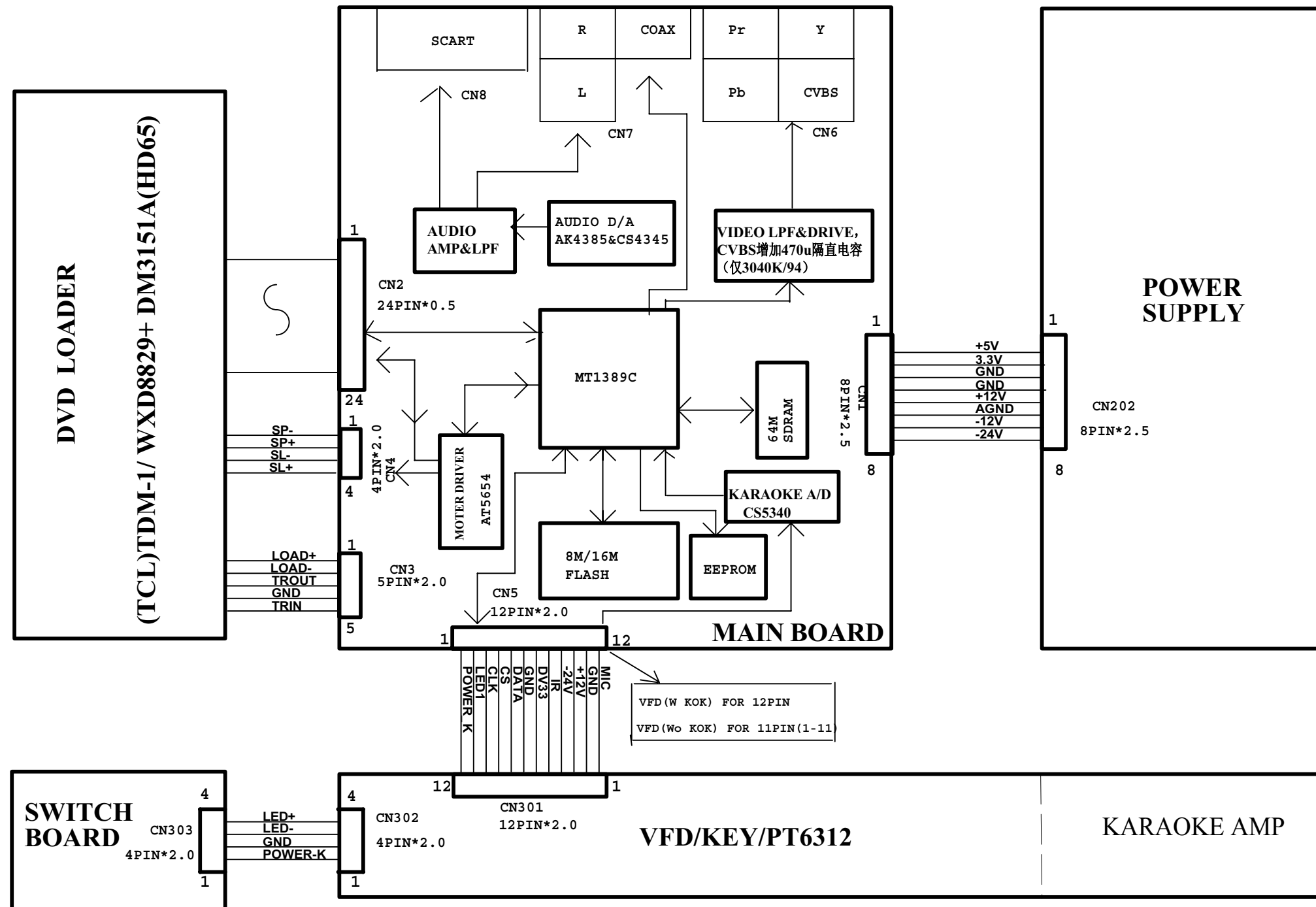
Published by TCL-HY 0601 Service Audio Printed in The Netherlands Subject to modification  
Version 1.3

**CLASS 1  
LASER PRODUCT**

 3139 785 31763

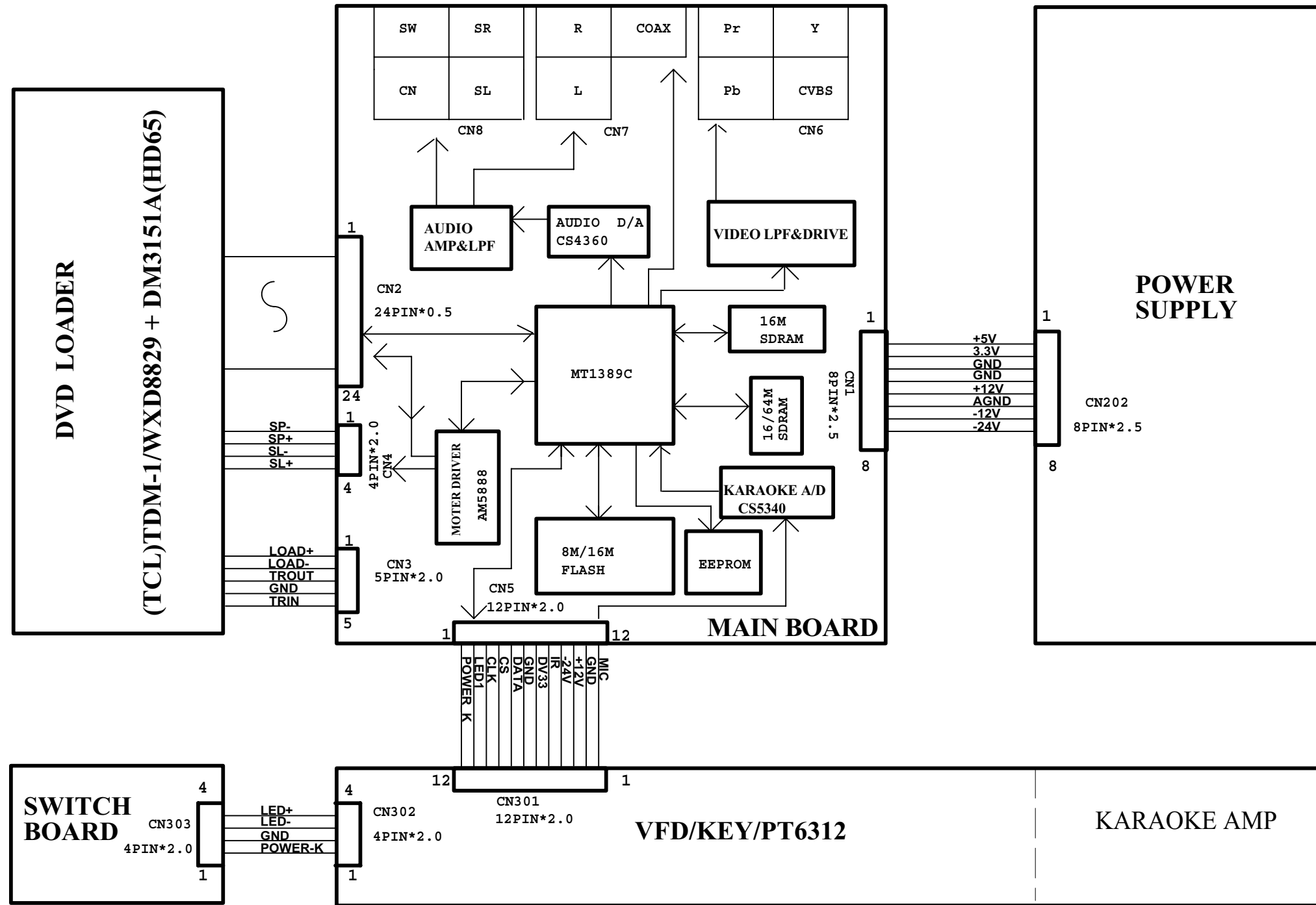
# PHILIPS

### DVP5140/XX DVP5140K/XX DVP5142/XX WIRING DIAGRAM

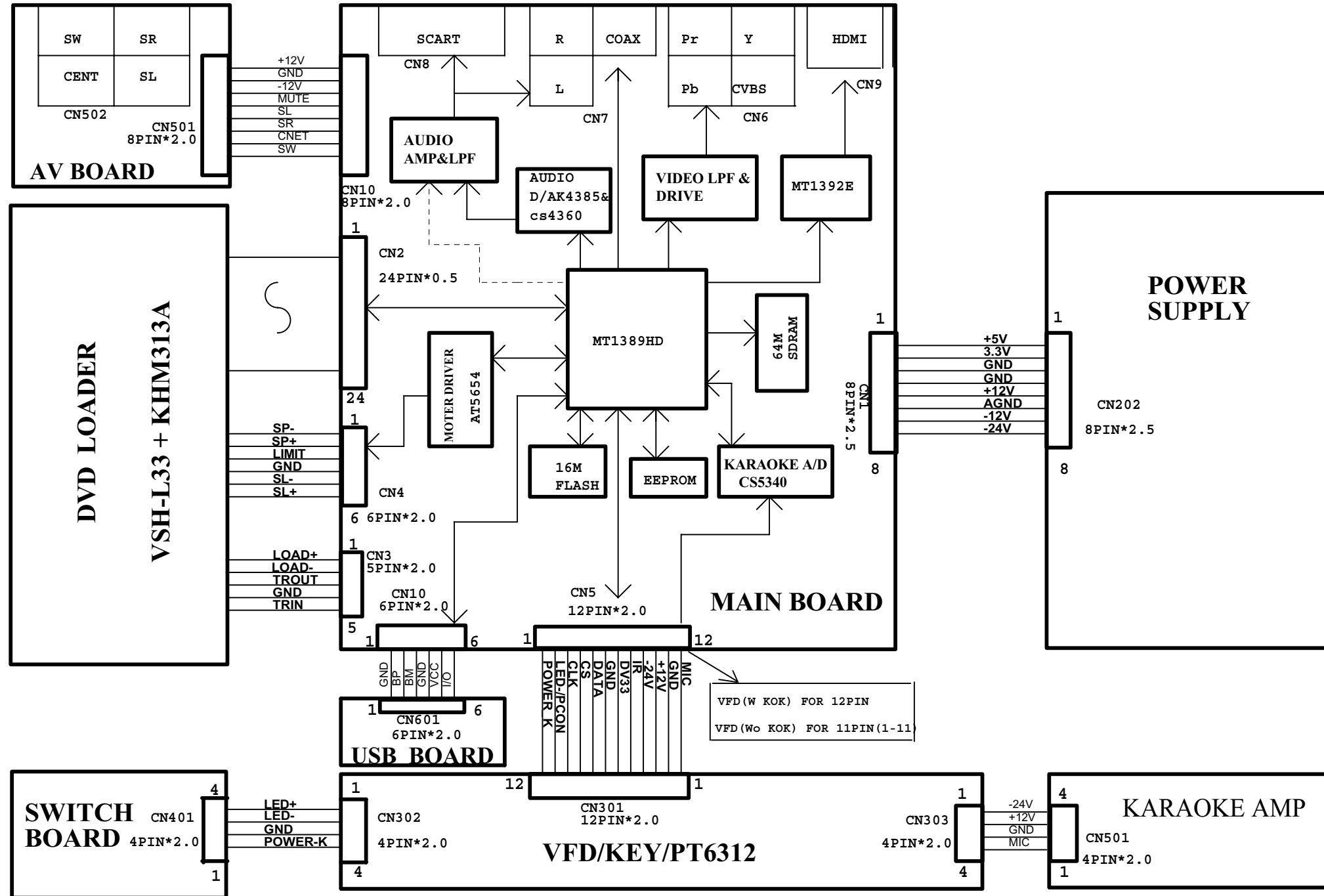


Remarks: DVP5140/XX version has no Karaoke output  
 Only version DVP5140/5140K (EU) hold the SCART output module.

### DVP5140K/93 WIRING DIAGRAM

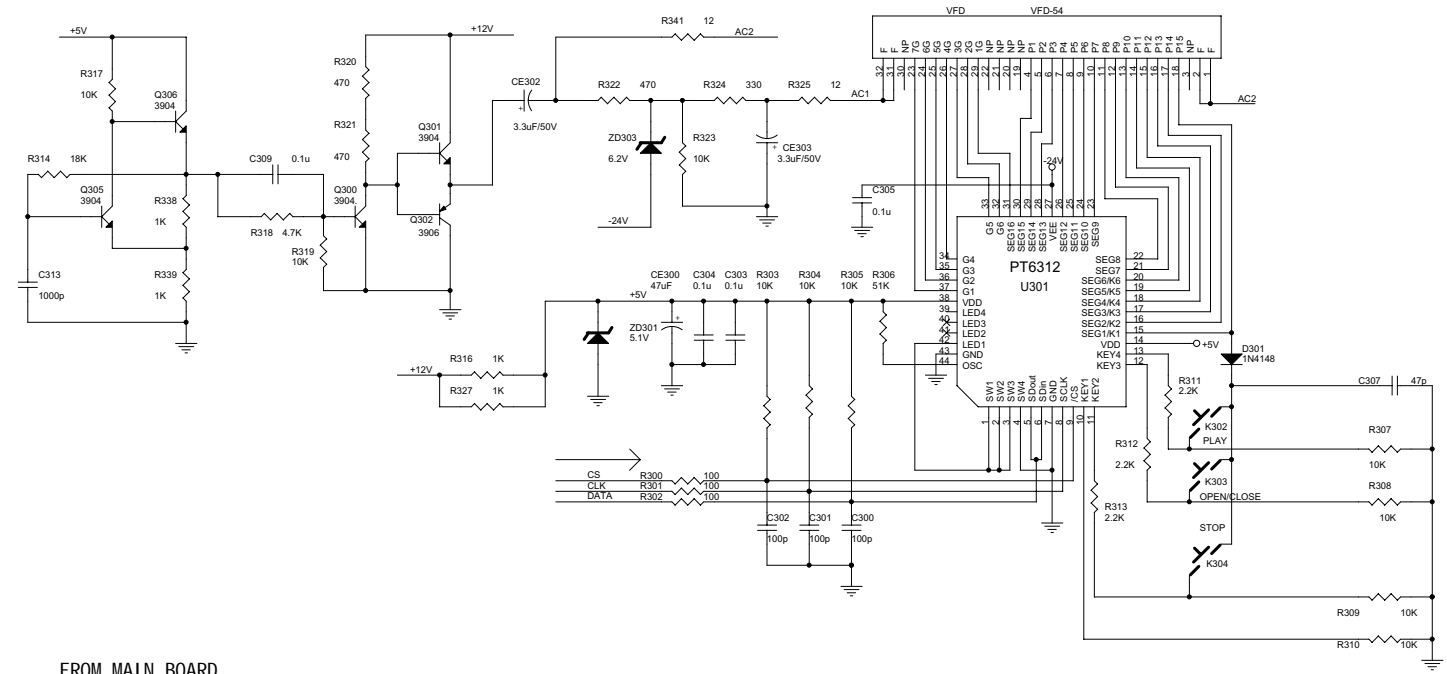


### DVP5960/XX DVP5965K/XX WIRING DIAGRAM

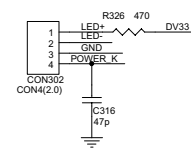
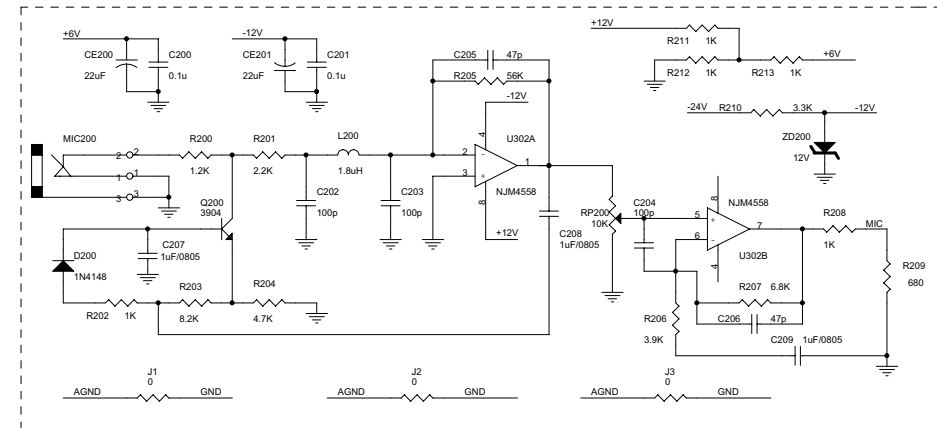
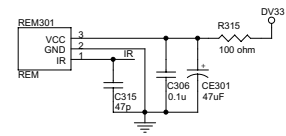
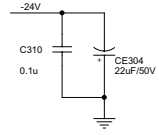
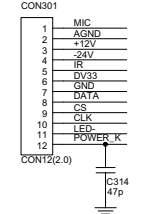


Remarks: DVP5960/XX version has no Karaoke output  
 Only version DVP5960/5965K(EU)hold the SCART output module.  
 Only version 5965K/XX has Karaoke output

### Front Board for DVP5140(K)/5142/5960/5965K



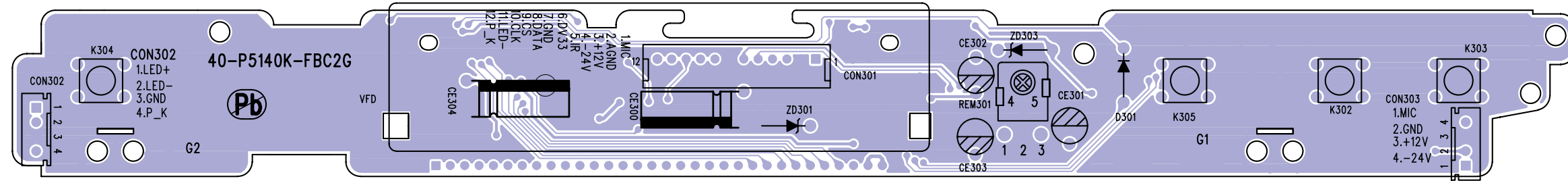
#### FROM MAIN BOARD



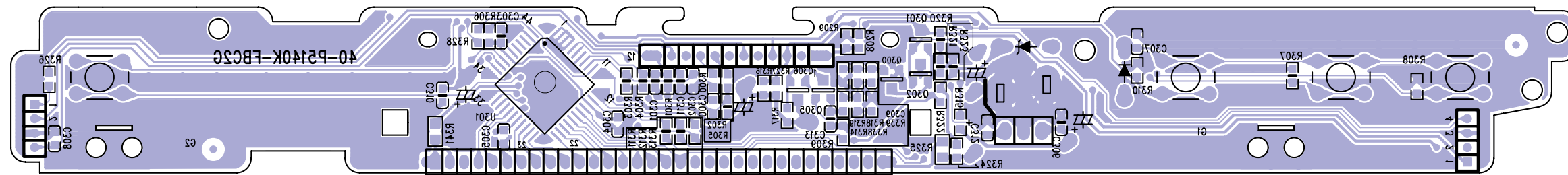
C200	D1	R307	B3
C201	D2	R308	B3
C202	D2	R309	C3
C203	D2	R310	C3
C204	D2	R311	B3
C205	D2	R312	B3
C206	E2	R313	B3
C207	D1	R314	A1
C208	D2	R315	C4
C209	E2	R316	B2
C300	B2	R317	A1
C301	B2	R318	B1
C302	B2	R319	B1
C303	B2	R320	A2
C304	B2	R321	A2
C305	A2	R322	A2
C306	D3	R323	A2
C307	B3	R324	A2
C309	A1	R325	A2
C310	C2	R326	D3
C313	B1	R327	B2
C314	C1	R341	A2
C315	D3	K302	B3
C316	D3	K303	B3
CE200	D1	K304	B3
CE201	D1	D200	E1
CE300	B2	ZD200	D2
CE301	D3	D301	B3
CE302	A2	ZD301	B2
CE303	A2	ZD303	A2
CE304	C2	Q200	D1
R200	D1	Q300	B2
R201	D1	Q301	A2
R202	E1	Q302	B2
R203	E1	Q305	B1
R204	E1	Q306	A1
R205	D2	Q301	B2
R206	E2	VFD	A3
R207	E2	MIC200	D1
R208	D2	U302	D2
R209	E3	RP200	D2
R210	D2	REM301	C3
R211	D2	CN301	C1
R212	D2	CN302	D3
R213	D2	U301	B3
R300	B2		
R301	B2		
R302	B2		
R303	B2		
R304	B2		
R305	B2		
R306	B2		

When have no karaoke, this inside of circle is "OPEN"

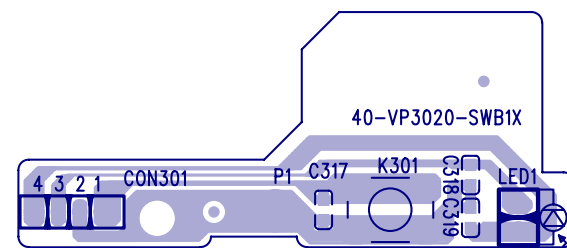
Front Board Print-layout (Top side) for DVP5140(K)/5142/5960/5965K



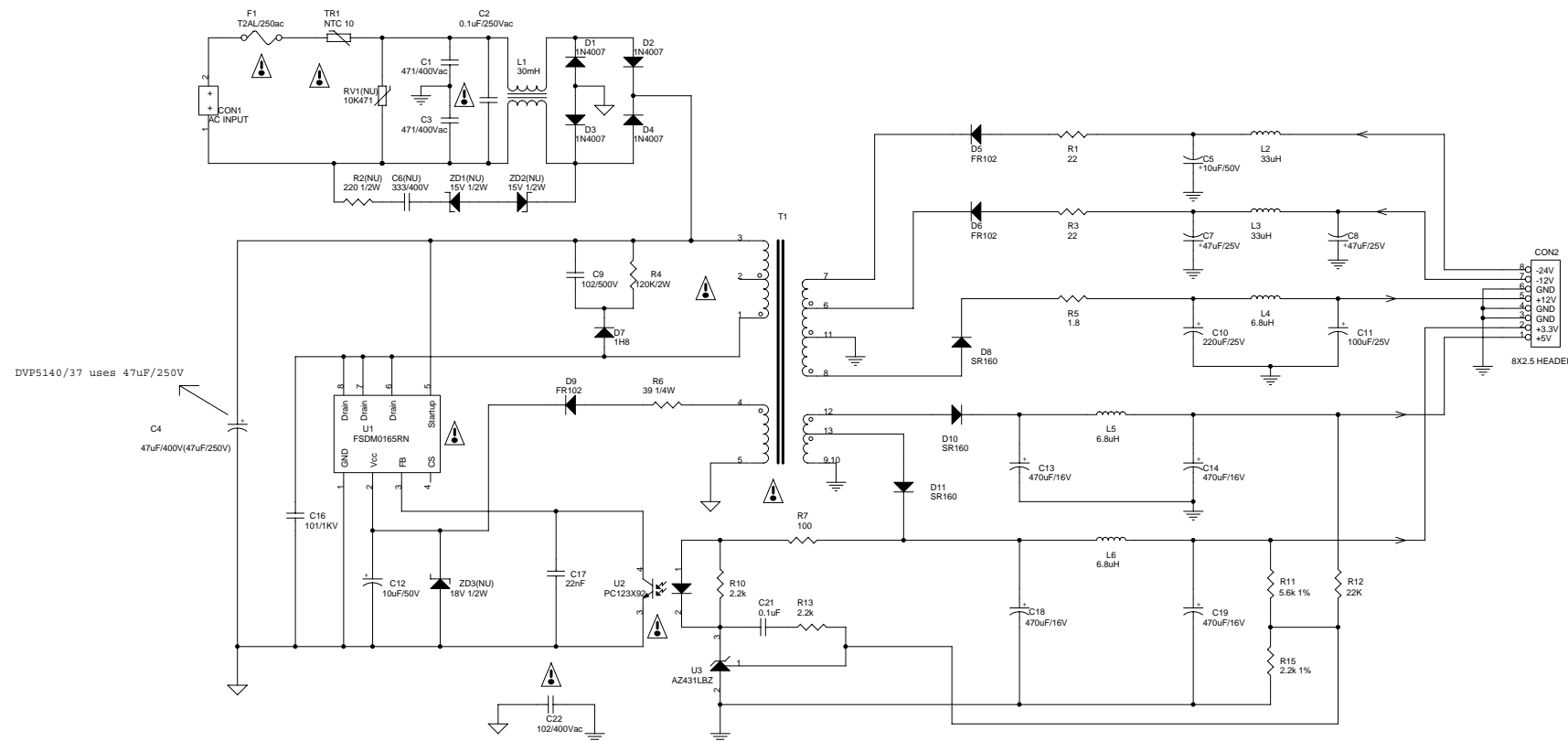
Front Board Print-layout (Bottom side) for DVP5140(K)/5142/5960/5965K



Switch Board Print-layout (Bottom side) for DVP5140(K)/5142/5960/5965K




Power Supply for DVP5140(K) / 5142

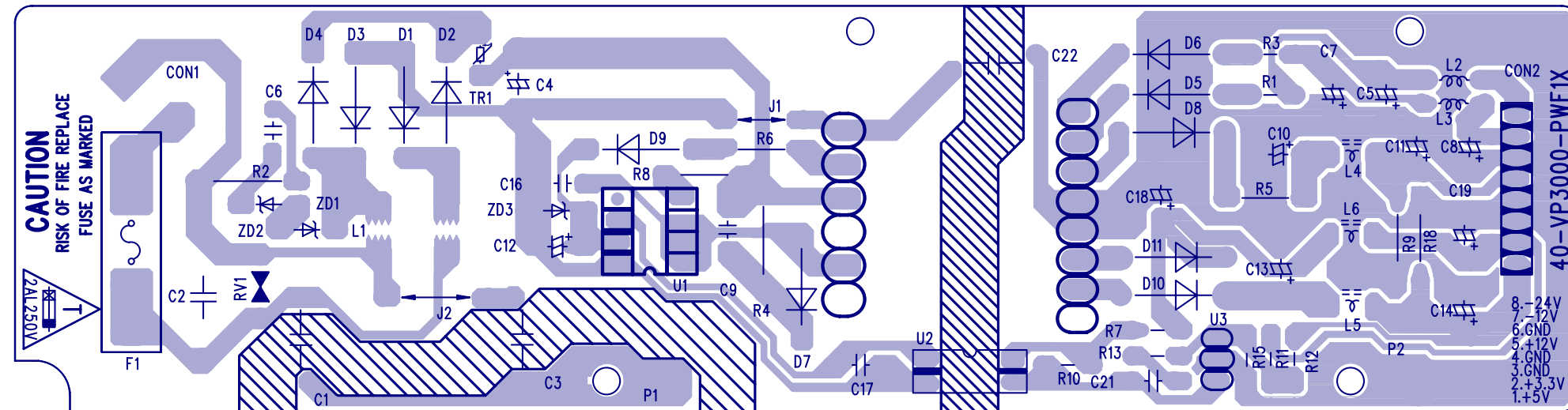


DVP5140/37 uses 47uF/250V  
 C4  
 47uF/400V(47uF/250V)

CON1	B1	C14	C3
CON2	C4	C16	D1
R1	B3	C17	D2
R2	B1	C18	D3
R3	B3	C19	D4
R4	C2	C1	B2
R5	C3	C21	D2
R6	C2	C22	D2
R7	D3	D1	B2
R10	D2	D2	B2
R11	D4	D3	B2
R12	D4	D4	B2
R13	D3	D5	B3
R15	D4	D6	B3
R16	C4	D7	C2
L2	B4	D8	C3
L3	B4	D9	C2
L4	C4	D10	C3
L5	C3	D11	C3
L6	D3	ZD1	B2
C1	B2	ZD2	B2
C2	B2	ZD3	D2
C3	B2	U1	C2
C4	C1	U2	D2
C5	B4	U3	D2
C6	B2	F1	B1
C7	C4	TR1	B1
C8	C4	RV1	B2
C9	C2	L1	B2
C10	C4	T1	C2
C11	C4	CON1	B1
C12	D2	CON2	C4
C13	C3		

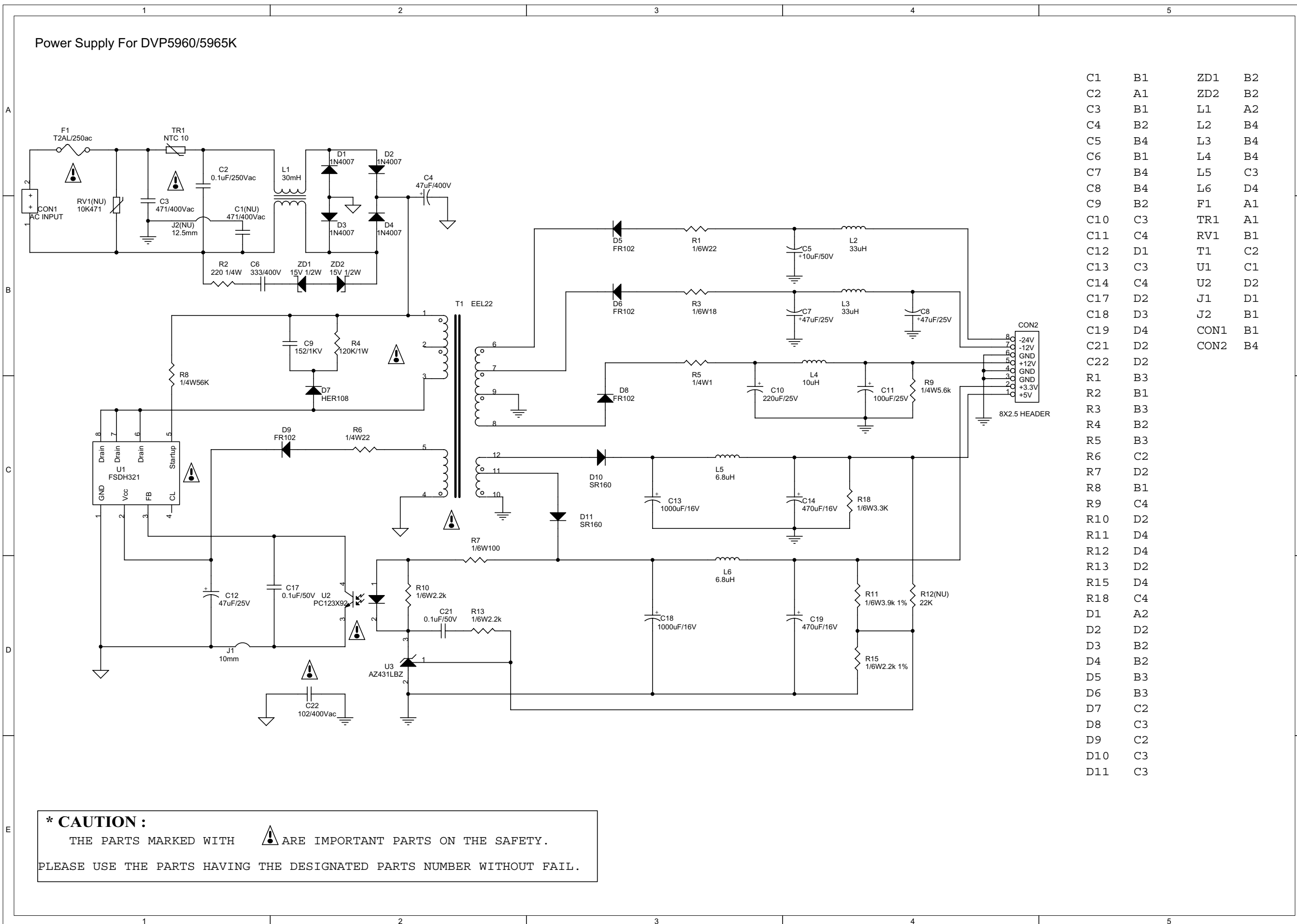
**\* CAUTION :**  
 THE PARTS MARKED WITH  ARE IMPORTANT PARTS ON THE SAFETY.  
 PLEASE USE THE PARTS HAVING THE DESIGNATED PARTS NUMBER WITHOUT FAIL.

Power Board Print-layout (Bottom Side) for DVP5140(K) / 5142






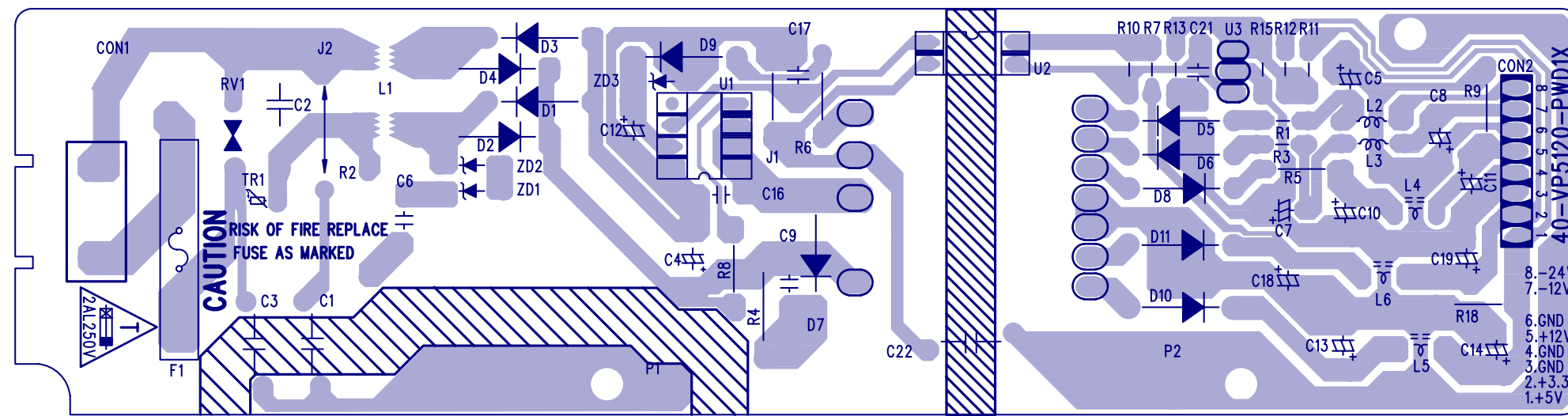
Power Supply For DVP5960/5965K



C1	B1	ZD1	B2
C2	A1	ZD2	B2
C3	B1	L1	A2
C4	B2	L2	B4
C5	B4	L3	B4
C6	B1	L4	B4
C7	B4	L5	C3
C8	B4	L6	D4
C9	B2	F1	A1
C10	C3	TR1	A1
C11	C4	RV1	B1
C12	D1	T1	C2
C13	C3	U1	C1
C14	C4	U2	D2
C17	D2	J1	D1
C18	D3	J2	B1
C19	D4	CON1	B1
C21	D2	CON2	B4
C22	D2		
R1	B3		
R2	B1		
R3	B3		
R4	B2		
R5	B3		
R6	C2		
R7	D2		
R8	B1		
R9	C4		
R10	D2		
R11	D4		
R12	D4		
R13	D2		
R15	D4		
R18	C4		
D1	A2		
D2	D2		
D3	B2		
D4	B2		
D5	B3		
D6	B3		
D7	C2		
D8	C3		
D9	C2		
D10	C3		
D11	C3		

**\* CAUTION :**  
 THE PARTS MARKED WITH  ARE IMPORTANT PARTS ON THE SAFETY.  
 PLEASE USE THE PARTS HAVING THE DESIGNATED PARTS NUMBER WITHOUT FAIL.

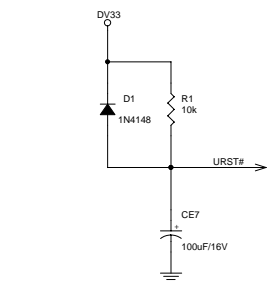
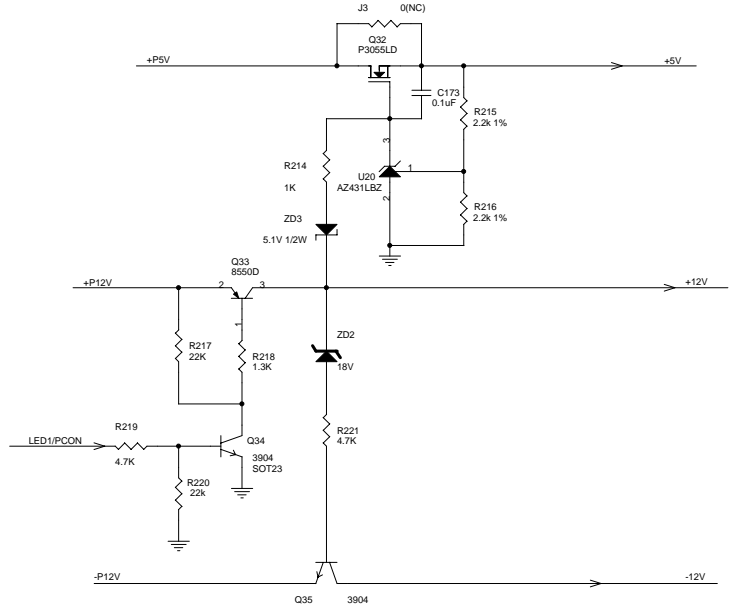
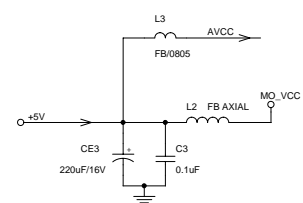
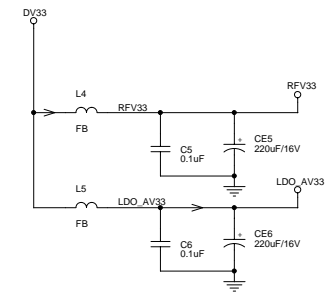
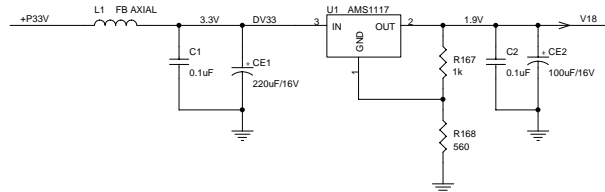
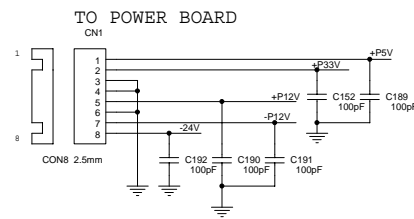
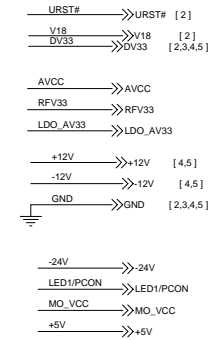
Power Board Print-layout (Bottom Side) for DVP5960/5965K



Main Board: INDEX & POWER,RESET for DVP5140(K) / 5142

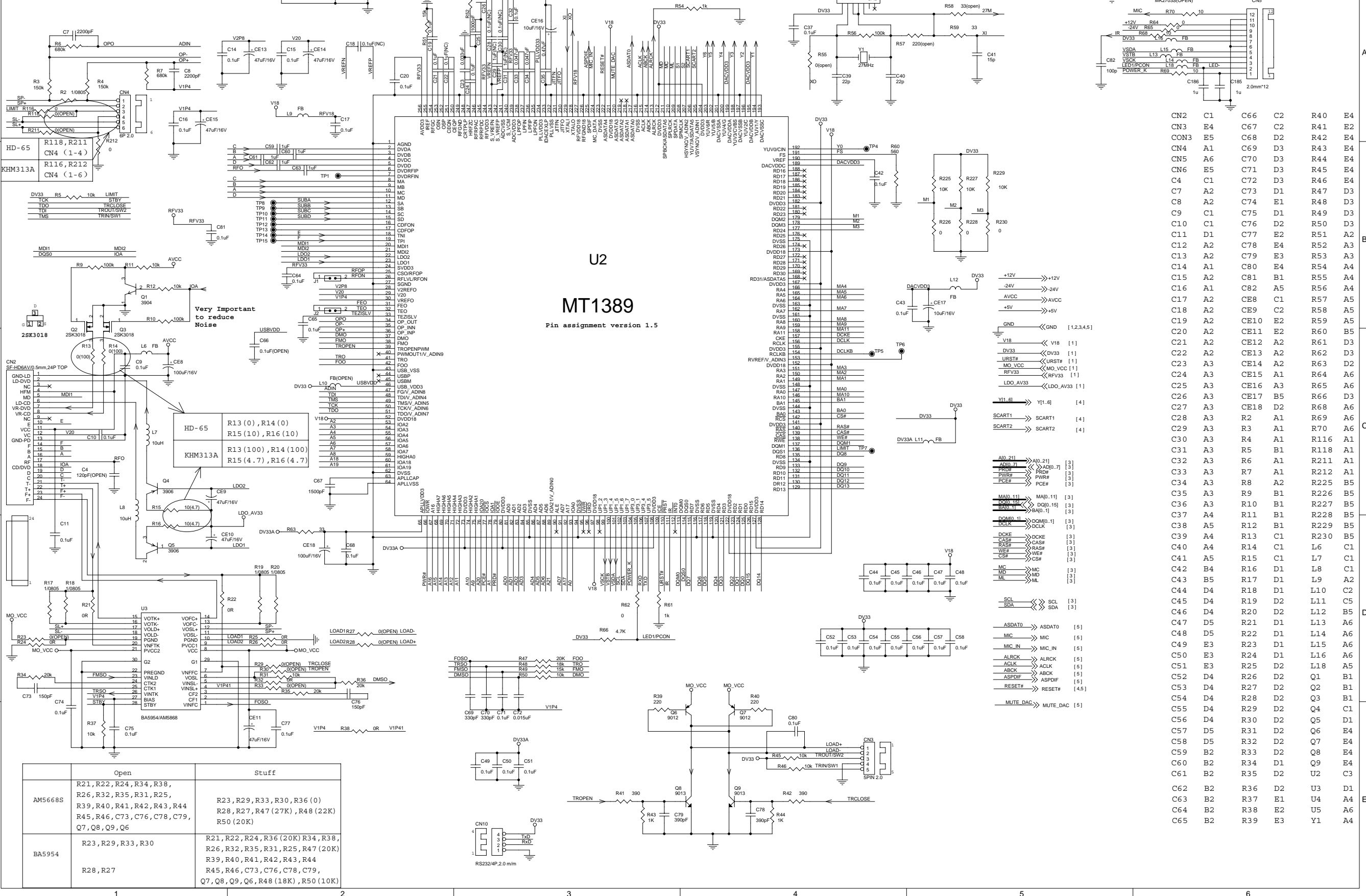
- 1 INDEX & POWER, RESET
- 2 RF, SERVO & MPEG - MT1389C&MT1389EE
- 3 MEMORY - SDRAM, FLASH/EEPROM,VIDEO OUT
- 4 AUDIO DAC & AUDIO OUT
- 6 POWER SUPPLY

NAME	TYPE	DEVICE
VCC	Digital 5V	SUPPLY
DV33	Digital 3.3V	MT1389E
RFV33	Servo 3.3V	MT1389E
AVCC	RF 5V	PICKUP HEADER
V18	Digital 1.8V	MT1389E
+12V	Audio +12V	OP AMP.
-12V	Audio -12V	OP AMP.
+5V	Servo 5V	Motor drive
-24V	VFD	VFD Drive



- CN1 D1
- R1 E5
- R167 C3
- R168 C3
- R169 D3
- R214 D3
- R215 D3
- R216 D3
- R217 E3
- R218 E3
- R219 E2
- R220 E3
- R221 E3
- ZD2 E3
- ZD3 E3
- D1 E5
- C1 C3
- C2 C4
- C3 E1
- C5 D5
- C6 D5
- C152 C2
- C173 D3
- CE1 C3
- CE2 C4
- CE3 E1
- CE5 C5
- CE6 D5
- CE7 E5
- L1 C3
- L2 E1
- L3 E1
- L4 C5
- L5 D5
- Q32 D3
- Q33 E3
- Q34 E3
- Q35 F3
- U1 C3
- U20 D3

### Main Board: MPEG & SERVO for DVP5140(K) / 5142



**U2**  
**MT1389**  
Pin assignment version 1.5

Component	Open	Stuff
AM5668S	R21, R22, R24, R34, R38, R26, R32, R35, R31, R25, R39, R40, R41, R42, R43, R44, R45, R46, C73, C76, C78, C79, Q7, Q8, Q9, Q6	R23, R29, R33, R30, R36 (0), R28, R27, R47 (27K), R48 (22K), R50 (20K)
BA5954	R23, R29, R33, R30	R21, R22, R24, R36 (20K), R34, R38, R26, R32, R35, R31, R25, R47 (20K), R39, R40, R41, R42, R43, R44, R45, R46, C73, C76, C78, C79, Q7, Q8, Q9, Q6, R48 (18K), R50 (10K)

CN2	C1	C66	C2	R40	E4
CN3	E4	C67	C2	R41	E2
CON3	E5	C68	D2	R42	E4
CN4	A1	C69	D3	R43	E4
CN5	A6	C70	D3	R44	E4
CN6	E5	C71	D3	R45	E4
C4	C1	C72	D3	R46	E4
C7	A2	C73	D1	R47	D3
C8	A2	C74	E1	R48	D3
C9	C1	C75	D1	R49	D3
C10	C1	C76	D2	R50	D3
C11	D1	C77	E2	R51	A2
C12	A2	C78	E4	R52	A3
C13	A2	C79	E3	R53	A3
C14	A1	C80	E4	R54	A4
C15	A2	C81	B1	R55	A4
C16	A1	C82	A5	R56	A4
C17	A2	C83	C1	R57	A5
C18	A2	C84	C2	R58	A5
C19	A2	C85	E2	R59	A5
C20	A2	C86	E2	R60	B5
C21	A2	C87	A2	R61	D3
C22	A2	C88	A2	R62	D3
C23	A3	C89	A2	R63	D2
C24	A3	C90	A1	R64	A6
C25	A3	C91	A3	R65	A6
C26	A3	C92	B5	R66	D3
C27	A3	C93	D2	R67	A6
C28	A3	C94	A1	R68	A6
C29	A3	C95	A1	R69	A6
C30	A3	C96	A1	R70	A6
C31	A3	C97	B1	R116	A1
C32	A3	C98	A1	R118	A1
C33	A3	C99	A1	R211	A1
C34	A3	C100	A2	R212	A1
C35	A3	C101	B1	R225	B5
C36	A3	C102	B1	R227	B5
C37	A4	C103	B1	R228	B5
C38	A5	C104	B1	R229	B5
C39	A4	C105	C1	R230	B5
C40	A4	C106	C1	L6	C1
C41	A5	C107	C1	L7	C1
C42	B4	C108	D1	L8	C1
C43	B5	C109	D1	L9	A2
C44	D4	C110	D1	L10	C2
C45	D4	C111	D2	L11	C5
C46	D4	C112	D2	L12	B5
C47	D5	C113	D1	L13	A6
C48	D5	C114	D1	L14	A6
C49	E3	C115	D1	L15	A6
C50	E3	C116	D1	L16	A6
C51	E3	C117	D2	L17	A5
C52	D4	C118	D2	L18	B1
C53	D4	C119	D2	L19	B1
C54	D4	C120	D2	L20	B1
C55	D4	C121	D2	L21	B1
C56	D4	C122	D2	L22	B1
C57	D5	C123	D2	L23	B4
C58	D5	C124	D2	L24	B4
C59	B2	C125	D2	L25	B4
C60	B2	C126	D1	L26	E4
C61	B2	C127	D2	L27	C3
C62	B2	C128	D2	L28	D1
C63	B2	C129	E1	L29	A4
C64	B2	C130	E2	L30	A6
C65	B2	C131	E3	L31	A4

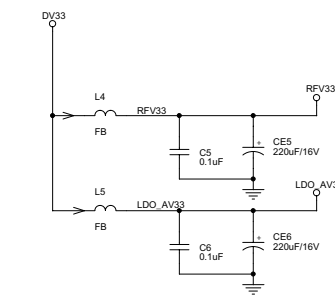
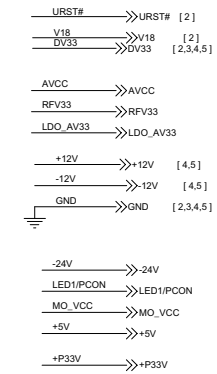
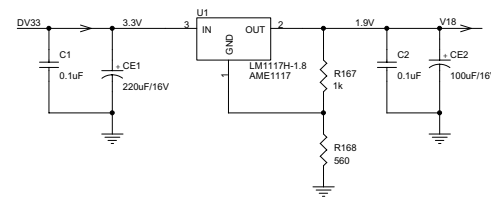
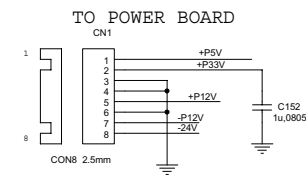




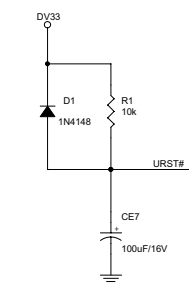
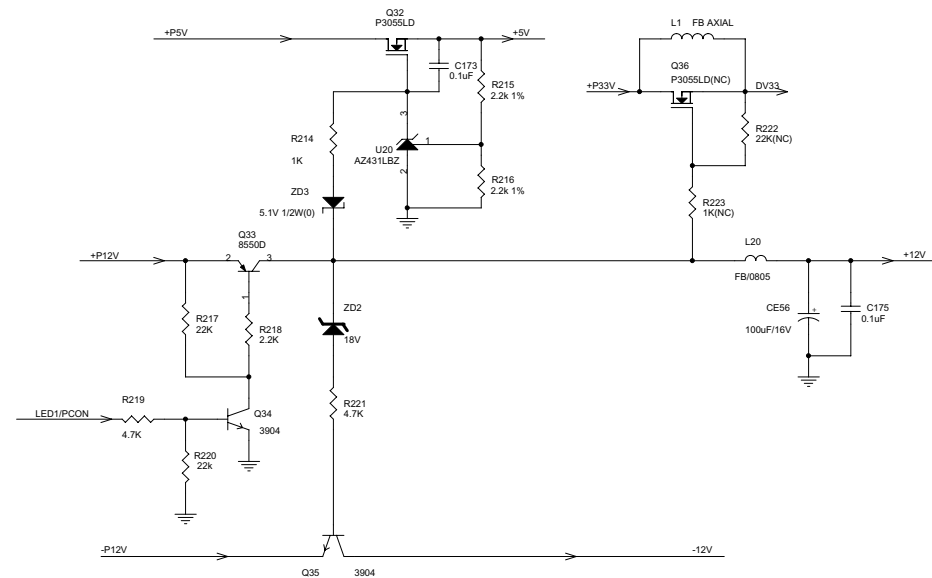
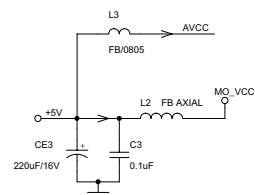
Main Board: INDEX & POWER,RESET for DVP5140K / 93

- 1 INDEX & POWER, RESET
- 2 RF, SERVO & MPEG - MT1389C&MT1389EE
- 3 MEMORY - SDRAM, FLASH/EEPROM,VIDEO OUT
- 4 AUDIO DAC & AUDIO OUT

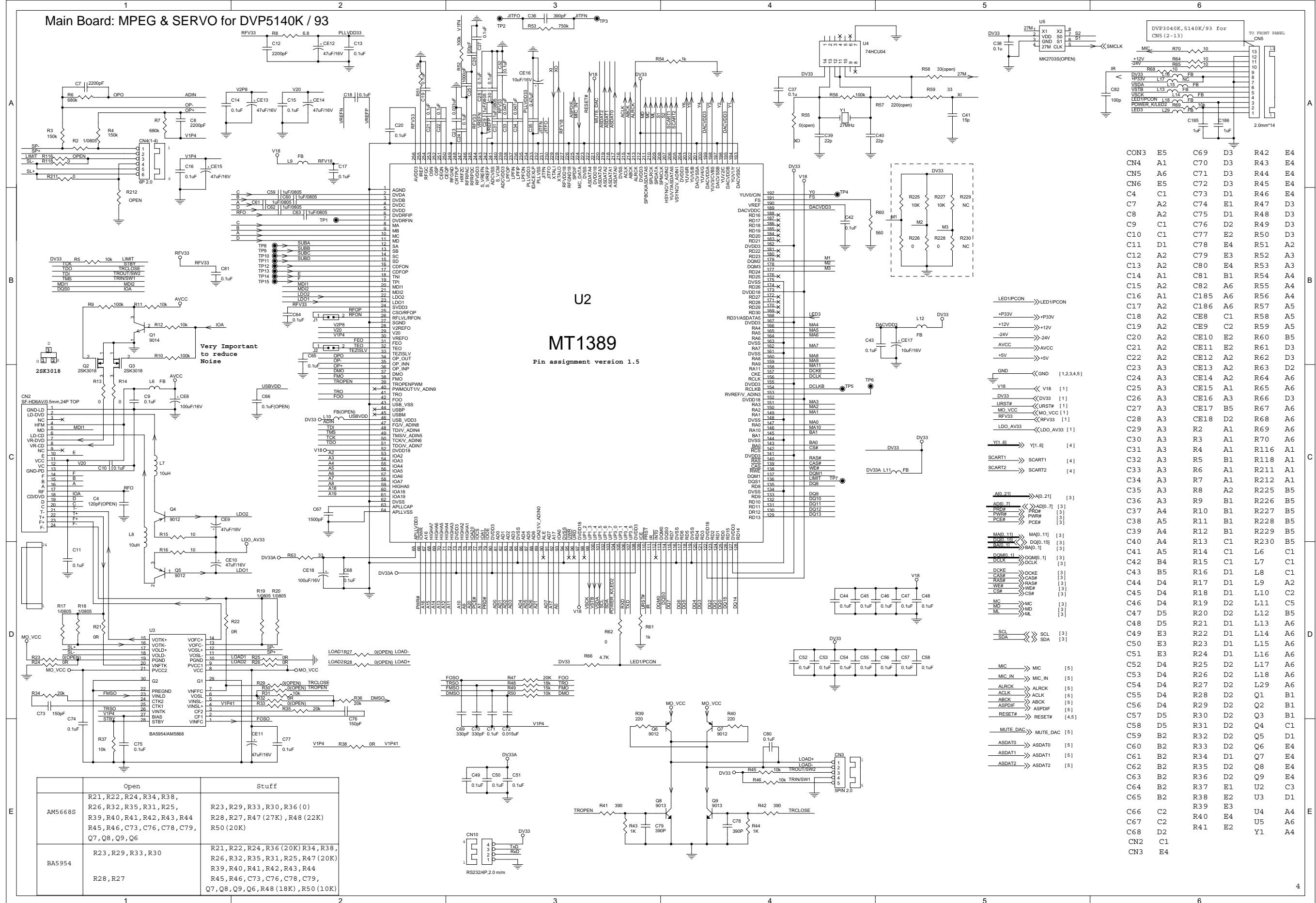
NAME	TYPE	DEVICE
DV33	Digital 3.3V	MT1389E
RFV33	Servo 3.3V	MT1389E
LDO_AV33	Laser 3.3V	PICKUP HEADER
AVCC	RF 5V	PICKUP HEADER
V18	Digital 1.8V	MT1389E
+12VA	Audio +12V	OP AMP.
-12VA	Audio -12V	OP AMP.
MO_VCC	Servo 5V	Motor drive
+5V	MUTE 5V	MUTE drive
+5VA	Audio D/A 5V	Audio D/A SUPPLY
-24V	VFD	VFD Drive



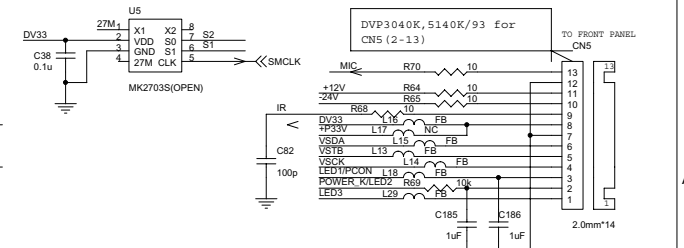
- CN1 D1
- R1 E5
- R167 C3
- R168 D3
- R214 D3
- R215 D3
- R216 D3
- R217 E3
- R218 E3
- R219 E2
- R220 E3
- R221 E3
- R222 D4
- R223 D4
- ZD2 E3
- ZD3 E3
- D1 E5
- C1 C3
- C2 C4
- C3 E1
- C5 D5
- C6 D5
- C152 C2
- C173 D3
- C175 E4
- CE1 C3
- CE2 C4
- CE3 E1
- CE5 D5
- CE6 D5
- CE7 E5
- CE5 6 E4
- L1 D4
- L2 E1
- L3 E1
- L4 C5
- L5 D5
- L20 E4
- Q32 D3
- Q33 E3
- Q34 E3
- Q35 F3
- Q36 D3
- U1 C3
- U20 D3



### Main Board: MPEG & SERVO for DVP5140K / 93



**U2**  
**MT1389**  
Pin assignment version 1.5

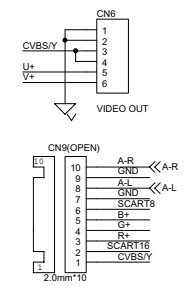
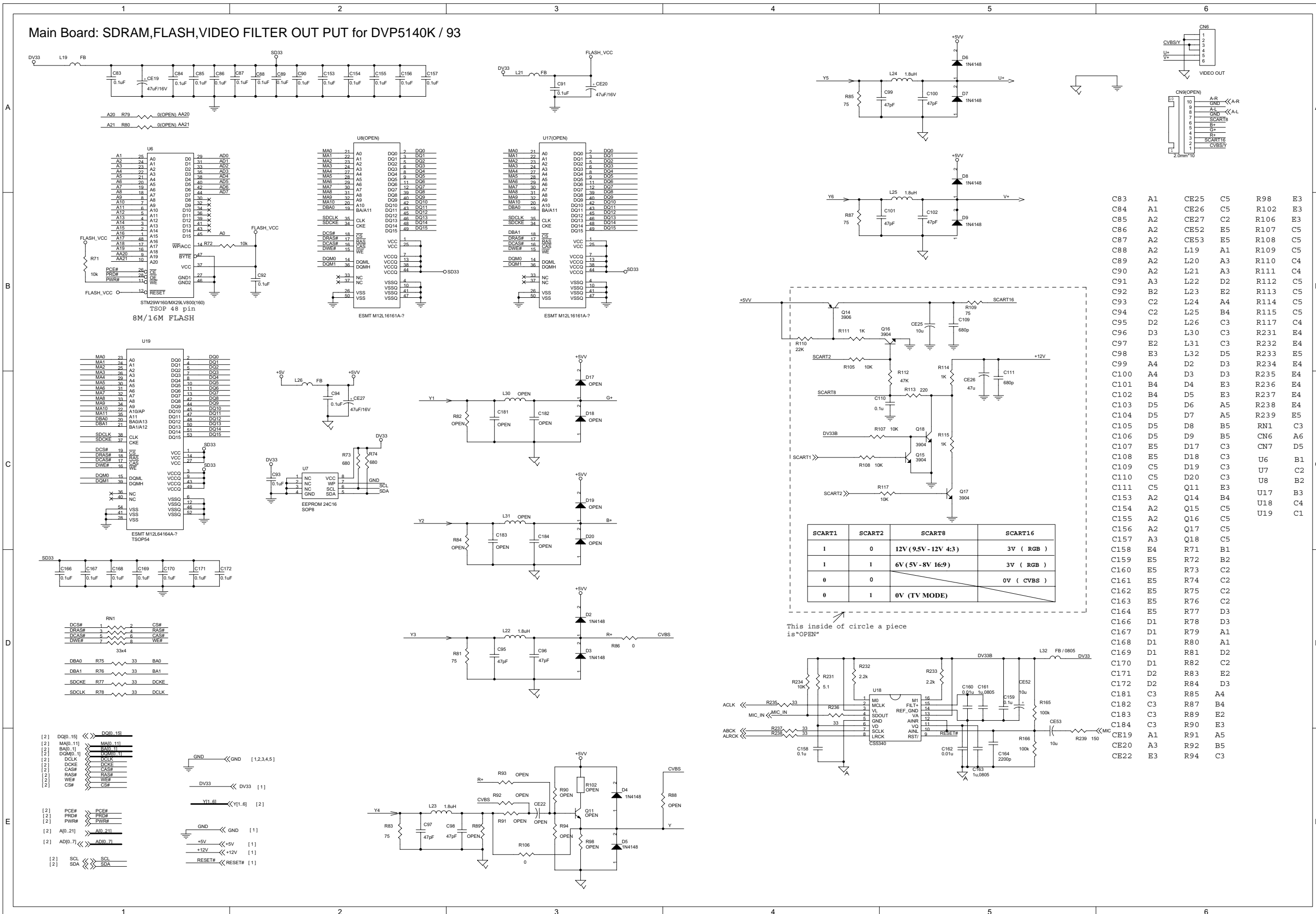


CN3	E5	C69	D3	R42	E4
CN4	A1	C70	D3	R43	E4
CN5	A6	C71	D3	R44	E4
CN6	E5	C72	D3	R45	E4
C4	C1	C73	D1	R46	E4
C7	A2	C74	E1	R47	D3
C8	A2	C75	D1	R48	D3
C9	C1	C76	D2	R49	D3
C10	C1	C77	E2	R50	D3
C11	D1	C78	E4	R51	A2
C12	A2	C79	E3	R52	A3
C13	A2	C80	E4	R53	A3
C14	A1	C81	B1	R54	A4
C15	A2	C82	A6	R55	A4
C16	A1	C185	A6	R56	A4
C17	A2	C186	A6	R57	A5
C18	A2	C88	C1	R58	A5
C19	A2	C89	C2	R59	A5
C20	A2	CE10	E2	R60	B5
C21	A2	CE11	E2	R61	D3
C22	A2	CE12	A2	R62	D3
C23	A3	CE13	A2	R63	D2
C24	A3	CE14	A2	R64	A6
C25	A3	CE15	A1	R65	A6
C26	A3	CE16	A3	R66	D3
C27	A3	CE17	B5	R67	A6
C28	A3	CE18	D2	R68	A6
C29	A3	R2	A1	R69	A6
C30	A3	R3	A1	R70	A6
C31	A3	R4	A1	R116	A1
C32	A3	R5	B1	R118	A1
C33	A3	R6	A1	R211	A1
C34	A3	R7	A1	R212	A1
C35	A3	R8	A2	R225	B5
C36	A3	R9	B1	R226	B5
C37	A4	R10	B1	R227	B5
C38	A5	R11	B1	R228	B5
C39	A4	R12	B1	R229	B5
C40	A4	R13	C1	R230	B5
C41	A5	R14	C1	L6	C1
C42	B4	R15	C1	L7	C1
C43	B5	R16	D1	L8	C1
C44	D4	R17	D1	L9	A2
C45	D4	R18	D1	L10	C2
C46	D4	R19	D2	L11	C5
C47	D5	R20	D2	L12	B5
C48	D5	R21	D1	L13	A6
C49	E3	R22	D1	L14	A6
C50	E3	R23	D1	L15	A6
C51	E3	R24	D1	L16	A6
C52	D4	R25	D2	L17	A6
C53	D4	R26	D2	L18	A6
C54	D4	R27	D2	L29	A6
C55	D4	R28	D2	Q1	B1
C56	D4	R29	D2	Q2	B1
C57	D5	R30	D2	Q3	B1
C58	D5	R31	D2	Q4	C1
C59	B2	R32	D2	Q5	D1
C60	B2	R33	D2	Q6	E4
C61	B2	R34	D1	Q7	E4
C62	B2	R35	D2	Q8	E4
C63	B2	R36	D2	Q9	E4
C64	B2	R37	E1	U2	C3
C65	B2	R38	E2	U3	D1
C66	C2	R39	E3	U4	A4
C67	C2	R40	E4	U5	A6
C68	D2	R41	E2	Y1	A4
CN2	C1				
CN3	E4				

	Open	Stuff
AM5668S	R21, R22, R24, R34, R38, R26, R32, R35, R31, R25, R39, R40, R41, R42, R43, R44, R45, R46, C73, C76, C78, C79, Q7, Q8, Q9, Q6	R23, R29, R33, R30, R36 (0), R28, R27, R47 (27K), R48 (22K), R50 (20K)
BA5954	R23, R29, R33, R30	R21, R22, R24, R36 (20K), R34, R38, R26, R32, R35, R31, R25, R47 (20K), R39, R40, R41, R42, R43, R44, R45, R46, C73, C76, C78, C79, Q7, Q8, Q9, Q6, R48 (18K), R50 (10K)



Main Board: SDRAM,FLASH,VIDEO FILTER OUT PUT for DVP5140K / 93



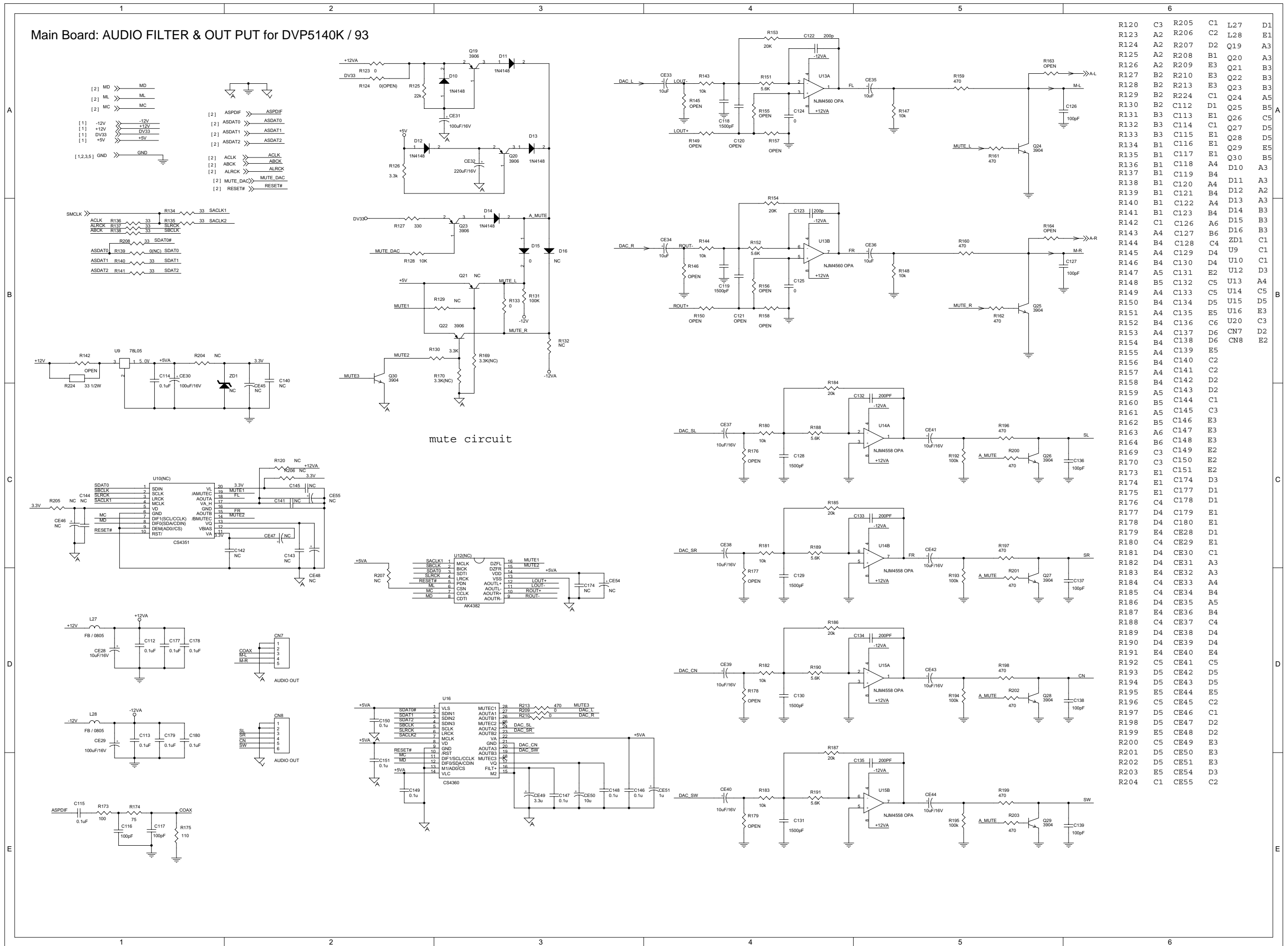
SCART1	SCART2	SCART8	SCART16
1	0	12V (9.5V - 12V 4:3)	3V ( RGB )
1	1	6V (5V -8V 16:9)	3V ( RGB )
0	0	0V ( TV MODE)	
0	1		

This inside of circle a piece is "OPEN"

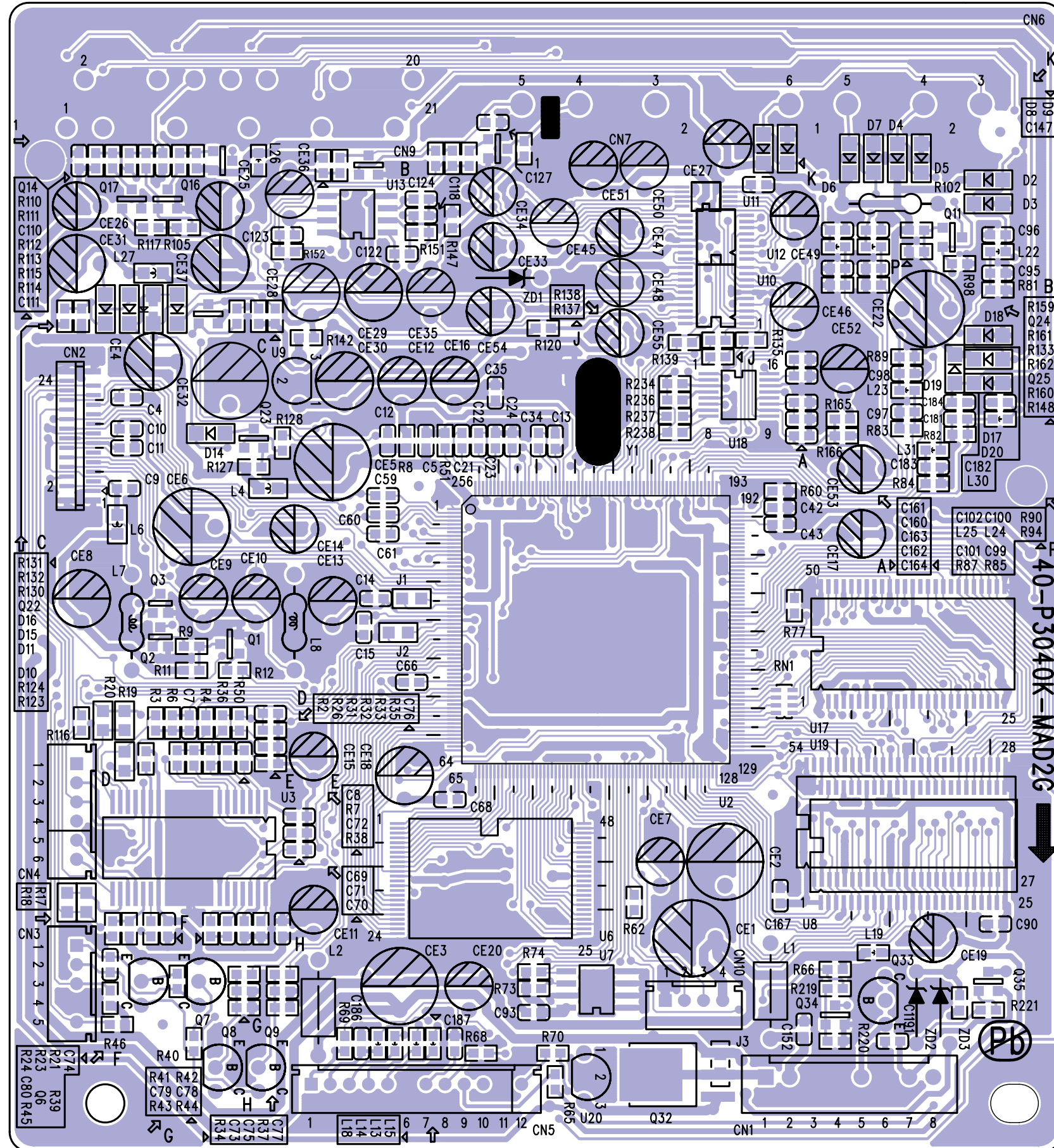
C83	A1	CE25	C5	R98	E3
C84	A1	CE26	C5	R102	E3
C85	A2	CE27	C2	R106	E3
C86	A2	CE52	E5	R107	C5
C87	A2	CE53	E5	R108	C5
C88	A2	L19	A1	R109	C5
C89	A2	L20	A3	R110	C4
C90	A2	L21	A3	R111	C4
C91	A3	L22	D2	R112	C5
C92	B2	L23	E2	R113	C5
C93	C2	L24	A4	R114	C5
C94	C2	L25	B4	R115	C5
C95	D2	L26	C3	R117	C4
C96	D3	L30	C3	R231	E4
C97	E2	L31	C3	R232	E4
C98	E3	L32	D5	R233	E5
C99	A4	D2	D3	R234	E4
C100	A4	D3	D3	R235	E4
C101	B4	D4	E3	R236	E4
C102	B4	D5	E3	R237	E4
C103	D5	D6	A5	R238	E4
C104	D5	D7	A5	R239	E5
C105	D5	D8	B5	RN1	C3
C106	D5	D9	B5	CN6	A6
C107	E5	D17	C3	CN7	D5
C108	E5	D18	C3	U6	B1
C109	C5	D19	C3	U7	C2
C110	C5	D20	C3	U8	B2
C111	C5	Q11	E3	U17	B3
C153	A2	Q14	B4	U18	C4
C154	A2	Q15	C5	U18	C4
C155	A2	Q16	C5	U19	C1
C156	A2	Q17	C5		
C157	A3	Q18	C5		
C158	E4	R71	B1		
C159	E5	R72	B2		
C160	E5	R73	C2		
C161	E5	R74	C2		
C162	E5	R75	C2		
C163	E5	R76	C2		
C164	E5	R77	D3		
C166	D1	R78	D3		
C167	D1	R79	A1		
C168	D1	R80	A1		
C169	D1	R81	D2		
C170	D1	R82	C2		
C171	D2	R83	E2		
C172	D2	R84	D3		
C181	C3	R85	A4		
C182	C3	R87	B4		
C183	C3	R89	E2		
C184	C3	R90	E3		
CE19	A1	R91	A5		
CE20	A3	R92	B5		
CE22	E3	R94	C3		

- [2] DQ[0..15] <<> DQ[0..15]
- [2] MA[0..11] <<> MA[0..11]
- [2] BA[0..11] <<> BA[0..11]
- [2] DQM[0..1] <<> DQM[0..1]
- [2] DCLK <<> DCLK
- [2] DCKE <<> DCKE
- [2] CAS# <<> CAS#
- [2] RAS# <<> RAS#
- [2] WE# <<> WE#
- [2] CS# <<> CS#
- [2] PCE# <<> PCE#
- [2] PRD# <<> PRD#
- [2] PWR# <<> PWR#
- [2] A[0..21] <<> A[0..21]
- [2] AD[0..7] <<> AD[0..7]
- [2] SCL <<> SCL
- [2] SDA <<> SDA
- [1] GND <<> GND [1,2,3,4,5]
- [1] DV33 <<> DV33 [1]
- [2] Y1..6 <<> Y1..6 [2]
- [1] GND <<> GND [1]
- [1] +5V <<> +5V [1]
- [1] +12V <<> +12V [1]
- [1] RESET# <<> RESET# [1]

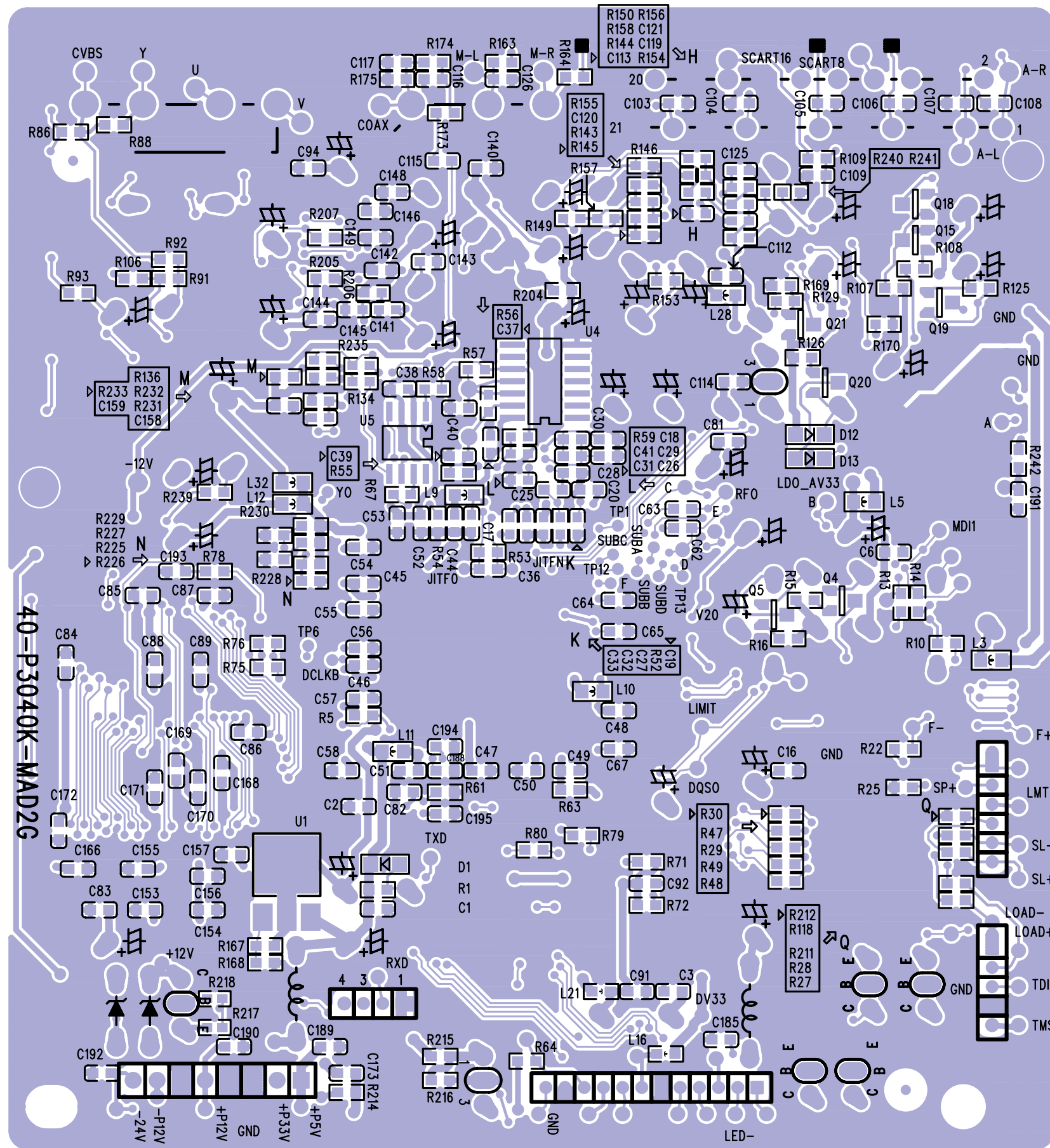
Main Board: AUDIO FILTER & OUT PUT for DVP5140K / 93



R120	C3	R205	C1	L27	D1
R123	A2	R206	C2	L28	E1
R124	A2	R207	D2	Q19	A3
R125	A2	R208	B1	Q20	A3
R126	A2	R209	E3	Q21	B3
R127	B2	R210	E3	Q22	B3
R128	B2	R213	E3	Q23	B3
R129	B2	R224	C1	Q24	A5
R130	B2	C112	D1	Q25	B5
R131	B3	C113	E1	Q26	C5
R132	B3	C114	C1	Q27	D5
R133	B3	C115	E1	Q28	D5
R134	B1	C116	E1	Q29	E5
R135	B1	C117	E1	Q30	B5
R136	B1	C118	A4	D10	A3
R137	B1	C119	B4	D11	A3
R138	B1	C120	A4	D12	A2
R139	B1	C121	B4	D13	A3
R140	B1	C122	A4	D14	B3
R141	B1	C123	B4	D15	B3
R142	C1	C126	A6	D16	B3
R143	A4	C127	B6	ZD1	C1
R144	B4	C128	C4	U9	C1
R145	A4	C129	D4	U10	C1
R146	B4	C130	D4	U12	D3
R147	A5	C131	E2	U13	A4
R148	B5	C132	C5	U13	A4
R149	A4	C133	C5	U14	C5
R150	B4	C134	D5	U15	D5
R151	A4	C135	E5	U16	E3
R152	B4	C136	C6	U20	C3
R153	A4	C137	D6	CN7	D2
R154	B4	C138	D6	CN8	E2
R155	A4	C139	E5		
R156	B4	C140	C2		
R157	A4	C141	C2		
R158	B4	C142	D2		
R159	A5	C143	D2		
R160	B5	C144	C1		
R161	A5	C145	C3		
R162	B5	C146	E3		
R163	A6	C147	E3		
R164	B6	C148	E3		
R165	C3	C149	E2		
R166	C3	C150	E2		
R167	E1	C151	E2		
R168	E1	C174	D3		
R169	E1	C177	D1		
R170	C4	C178	D1		
R171	D4	C179	E1		
R172	D4	C180	E1		
R173	B4	CE28	D1		
R174	B4	CE29	E1		
R175	D4	CE30	C1		
R176	D4	CE31	A3		
R177	B4	CE32	A3		
R178	C4	CE33	A4		
R179	D4	CE35	A5		
R180	E4	CE36	B4		
R181	C4	CE37	C4		
R182	D4	CE38	D4		
R183	D4	CE39	D4		
R184	E4	CE40	E4		
R185	C5	CE41	C5		
R186	D5	CE42	D5		
R187	D5	CE43	D5		
R188	E5	CE44	E5		
R189	B5	CE45	C2		
R190	D5	CE46	C1		
R191	D5	CE47	D2		
R192	E5	CE48	D2		
R193	C5	CE49	E3		
R194	D5	CE50	E3		
R195	D5	CE51	E3		
R196	E5	CE54	D3		
R197	C1	CE55	C2		



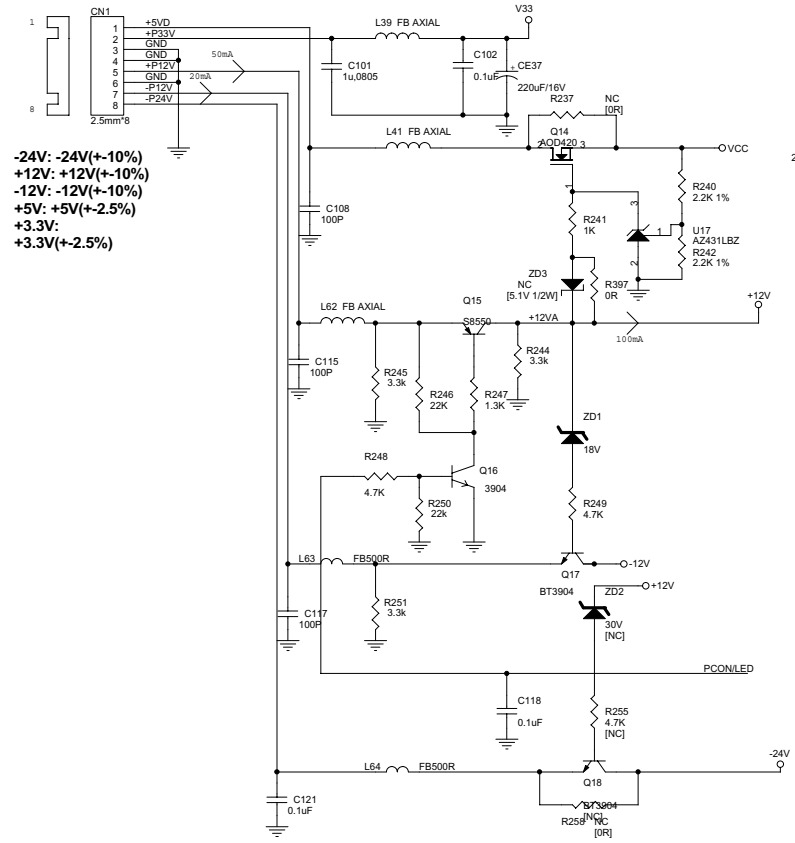
Main Board Print-layout (Bottom Side)for DVP5140(K) / 5142



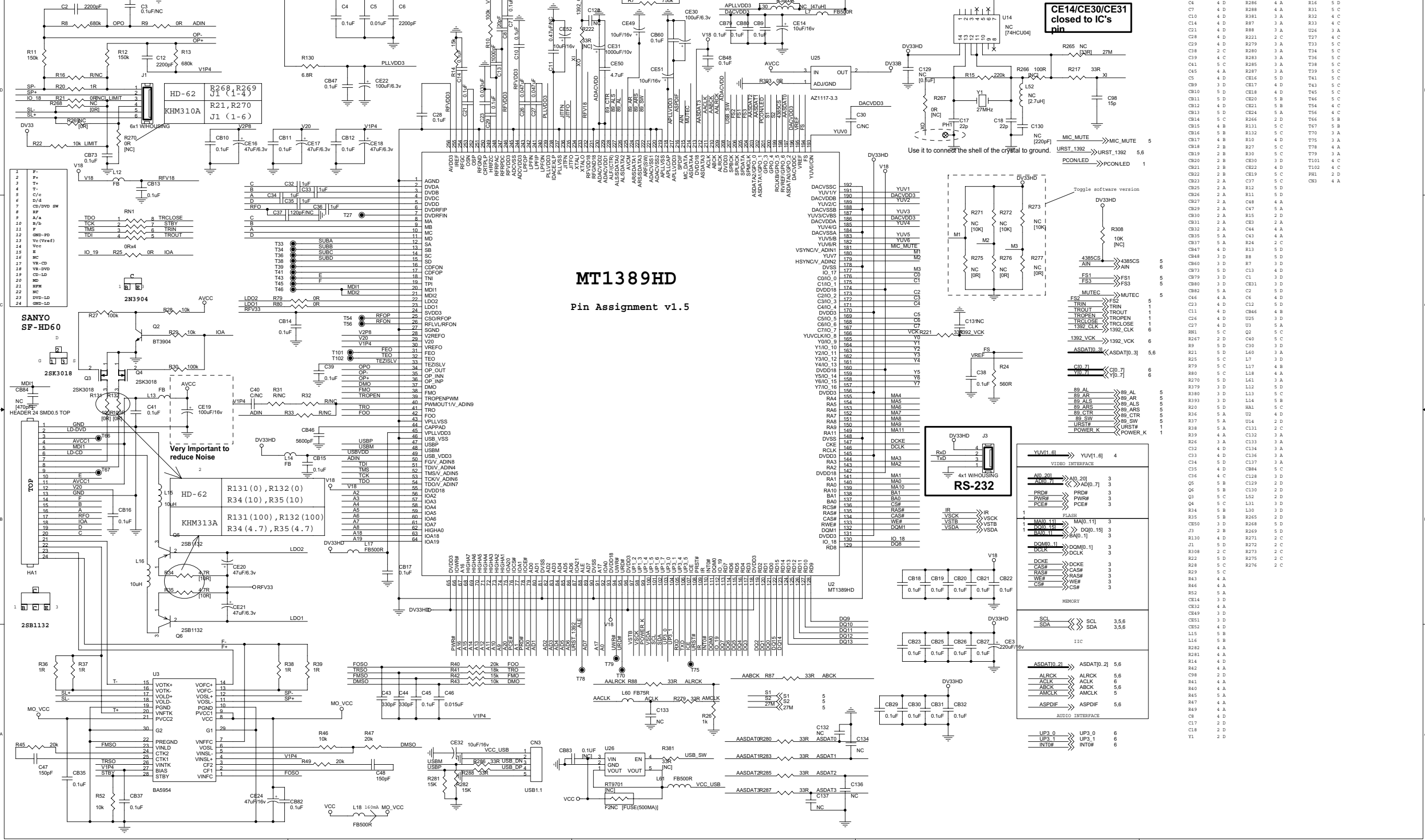
Main Board: INDEX & POWER,RESET for DVP5960/5965K

NAME	TYPE	DEVICE
VCC	Digital 5V	SUPPLY
DV33	Digital 3.3V	MT1389E
RFV33	Servo 3.3V	MT1389E
AV33	Laser Diode 3.3V	MT1389E
V18	Digital 1.8V	MT1389E
SD33	Digital 3.3V	SDRAM
+12V	Audio +12V	OP AMP.
-12V	Audio -12V	OP AMP.
AVDD5	Audio 5V	Audio DAC
DVDD3	Audio 3.3V	Audio DAC

TO POWER BOARD

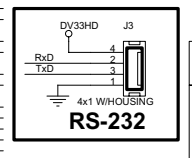
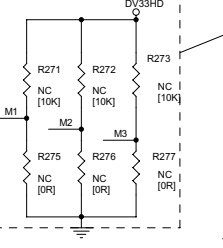


### Main Board: MT1389HD & FRONTEND for DVP5960/5965K



CE14/CE30/CE31 closed to IC's pin

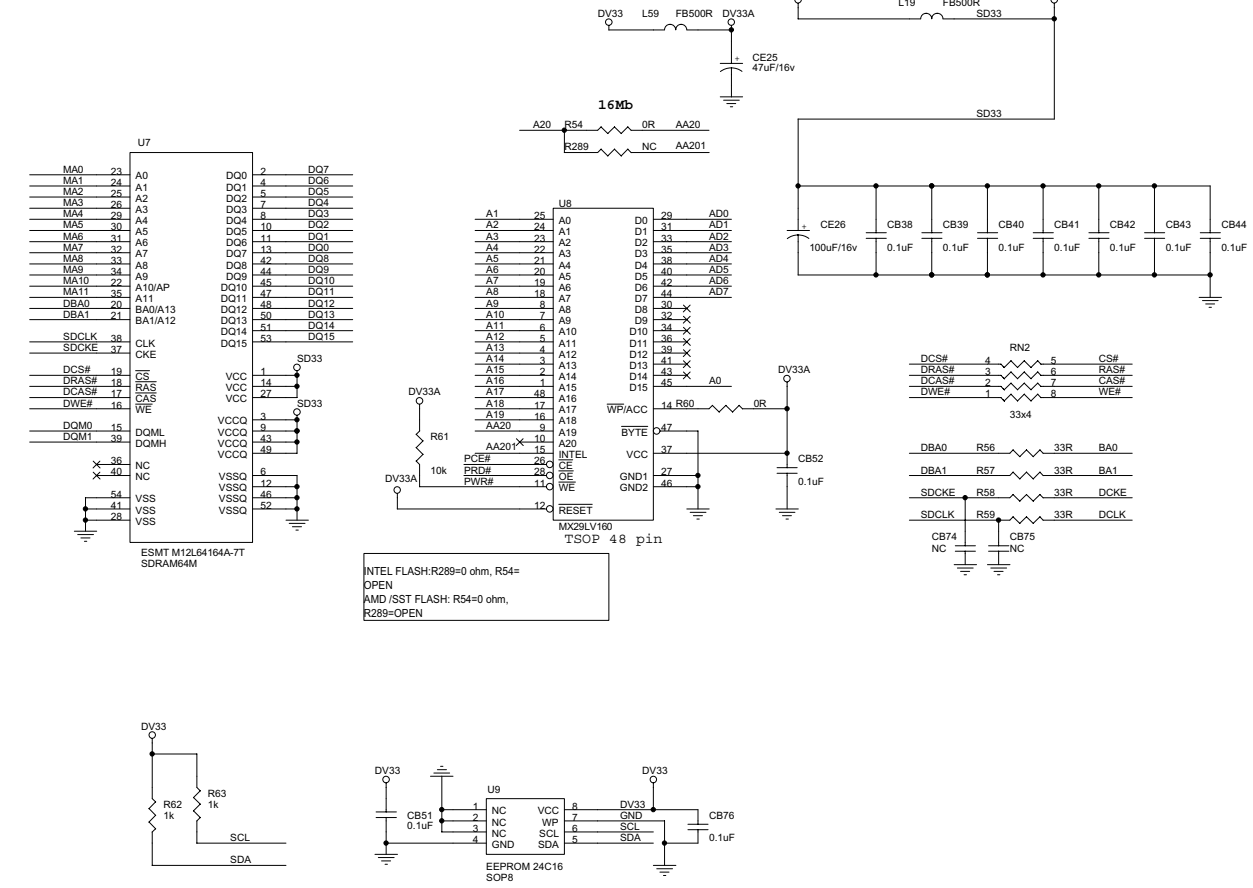
Use it to connect the shell of the crystal to ground.



YUV1[6]	YUV1[6]	4
VIDEO INTERFACE		
AI0[20]	AI0[20]	3
AI0[7]	AI0[7]	3
PRD#	PRD#	3
PWR#	PWR#	3
PCE#	PCE#	3
FPGA#		
MA0[11]	MA0[11]	3
MA0[15]	MA0[15]	3
MA0[0]	MA0[0]	1
DOM0[1]	DOM0[1]	3
DCLK	DCLK	3
M8080		
DCKE	DCKE	3
CASF	CASF	3
RASF	RASF	3
WE#	WE#	3
CS#	CS#	3
M8081		
SCL	SCL	3,5,6
SDA	SDA	3,5,6
IIC		
ASDAT0[2]	ASDAT[2]	5,6
ALCK	ALCK	5,6
ACLK	ACLK	6
ABCK	ABCK	5,6
AMCLK	AMCLK	5,6
ASPDIF	ASPDIF	5
AUDIO INTERFACE		
UP3_0	UP3_0	6
UP3_1	UP3_1	6
INT0#	INT0#	6

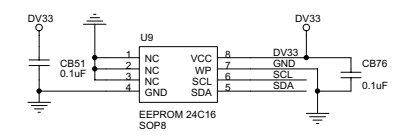
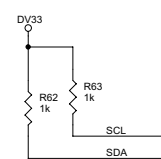
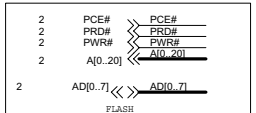
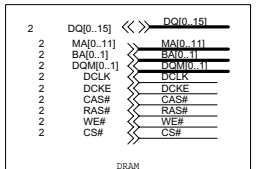
CB83	4 A	R217	2 D	R277	2 C
C1	5 D	R222	4 D	R2	3 A
C4	4 D	R286	4 A	R16	5 D
C7	4 D	R288	4 A	R31	5 C
C10	4 D	R381	3 A	R32	4 C
C14	4 D	R87	3 A	R33	4 C
C11	4 D	R88	3 A	U26	3 A
C18	4 D	R221	2 C	R27	4 C
C19	4 D	R279	3 A	R33	5 C
C18	2 C	R280	3 A	R34	5 C
C19	4 C	R283	3 A	R36	5 C
C41	5 C	R285	3 A	R38	5 C
C45	4 A	R287	3 A	R39	5 C
C5	4 D	R216	5 D	R41	5 C
CB9	3 D	R217	4 D	R42	5 C
CB10	5 D	R218	4 D	R43	5 C
CB11	5 D	R219	5 B	R44	5 C
CB12	4 D	R220	5 B	R45	4 C
CB13	5 D	R221	5 B	R46	4 C
CB14	5 C	R222	5 B	R47	5 B
CB15	4 B	R223	5 C	R48	5 B
CB16	5 B	R224	5 C	R49	4 A
CB17	4 B	R225	4 D	R50	5 C
CB18	2 B	R226	4 D	R51	5 C
CB19	2 B	R227	5 C	R52	5 C
CB20	2 B	R228	4 D	R53	5 C
CB21	2 B	R229	4 D	R54	5 C
CB22	2 B	R230	4 D	R55	5 C
CB23	2 A	R231	5 C	R56	5 C
CB24	2 A	R232	5 C	R57	5 C
CB25	2 A	R233	5 C	R58	5 C
CB26	2 A	R234	5 C	R59	5 C
CB27	2 A	R235	5 C	R60	5 C
CB28	2 A	R236	5 C	R61	5 C
CB29	2 A	R237	5 C	R62	5 C
CB30	2 A	R238	5 C	R63	5 C
CB31	2 A	R239	5 C	R64	5 C
CB32	2 A	R240	5 C	R65	5 C
CB33	2 A	R241	5 C	R66	5 C
CB34	2 A	R242	5 C	R67	5 C
CB35	2 A	R243	5 C	R68	5 C
CB36	2 A	R244	5 C	R69	5 C
CB37	2 A	R245	5 C	R70	3 A
CB38	2 A	R246	5 C	R71	3 A
CB39	2 A	R247	5 C	R72	3 A
CB40	2 A	R248	5 C	R73	3 A
CB41	2 A	R249	5 C	R74	3 A
CB42	2 A	R250	5 C	R75	3 A
CB43	2 A	R251	5 C	R76	3 A
CB44	2 A	R252	5 C	R77	3 A
CB45	2 A	R253	5 C	R78	3 A
CB46	2 A	R254	5 C	R79	3 A
CB47	2 A	R255	5 C	R80	3 A
CB48	2 A	R256	5 C	R81	3 A
CB49	2 A	R257	5 C	R82	3 A
CB50	2 A	R258	5 C	R83	3 A
CB51	2 A	R259	5 C	R84	3 A
CB52	2 A	R260	5 C	R85	3 A
CB53	2 A	R261	5 C	R86	3 A
CB54	2 A	R262	5 C	R87	3 A
CB55	2 A	R263	5 C	R88	3 A
CB56	2 A	R264	5 C	R89	3 A
CB57	2 A	R265	5 C	R90	3 A
CB58	2 A	R266	5 C	R91	3 A
CB59	2 A	R267	5 C	R92	3 A
CB60	2 A	R268	5 C	R93	3 A
CB61	2 A	R269	5 C	R94	3 A
CB62	2 A	R270	5 C	R95	3 A
CB63	2 A	R271	5 C	R96	3 A
CB64	2 A	R272	5 C	R97	3 A
CB65	2 A	R273	5 C	R98	3 A
CB66	2 A	R274	5 C	R99	3 A
CB67	2 A	R275	5 C	R100	3 A

### Main Board: SDRAM & FLASH for DVP5960/5965K



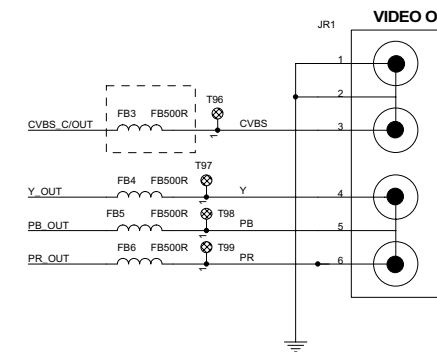
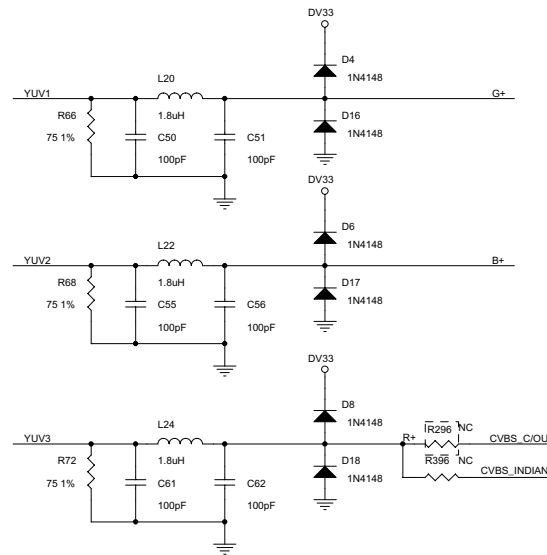
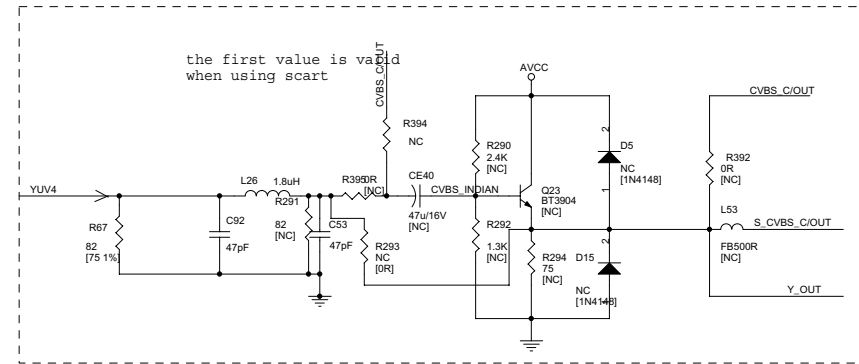
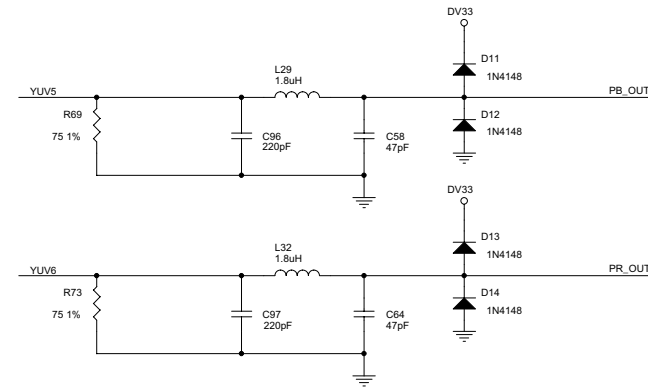
INTEL FLASH: R289=0 ohm, R54= OPEN  
 AMD /SST FLASH: R54=0 ohm, R289=OPEN

- CB76 4 B
- CB52 4 C
- CB38 4 D
- CB39 4 D
- CB40 4 D
- CB41 4 D
- CB42 4 D
- CB43 3 D
- CB44 3 D
- CB51 5 B
- R60 4 C
- R54 4 D
- R62 5 C
- R63 5 C
- R61 5 C
- R56 4 C
- R57 4 C
- R58 4 C
- R59 4 C
- R82 4 D
- CB25 4 D
- CB26 4 D
- U9 5 C
- U7 5 D
- L19 4 D
- U8 5 D
- CB75 4 C
- CB74 4 C
- R289 4 D



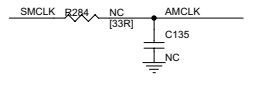
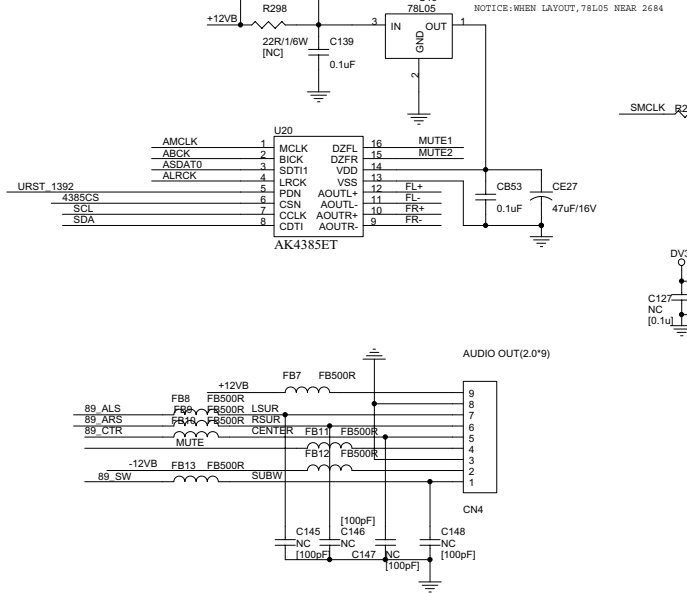
Main Board : VIDEO OUT for DVP5960/5965K

R395	2D
R392	2D
R292	2D
L20	3C
L22	3C
L24	3B
L26	3D
L29	4D
L32	4D
D4	3C
D6	3C
D8	3B
D11	3D
D12	3D
D13	3D
D14	3D
D16	3C
D17	3B
D18	3B
R290	2D
C53	3D
C58	4D
C64	4D
C92	3D
CE40	2D
R66	4C
R68	4B
R69	4D
R72	4B
R73	4D
R294	2D
R67	3D
R291	3D
C50	3C
C51	3C
C55	3B
C56	3B
C61	3B
C62	3B
C96	4D
C97	4D
Q23	2D
L53	2D
FB3	2C
FB4	2B
FB5	2B
FB6	2B
D5	2D
D15	2D
R293	2D
R296	3B
R394	2D
R396	3B
JR1	2C
T96	2C
T97	2B
T98	2B
T99	2B

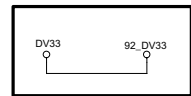
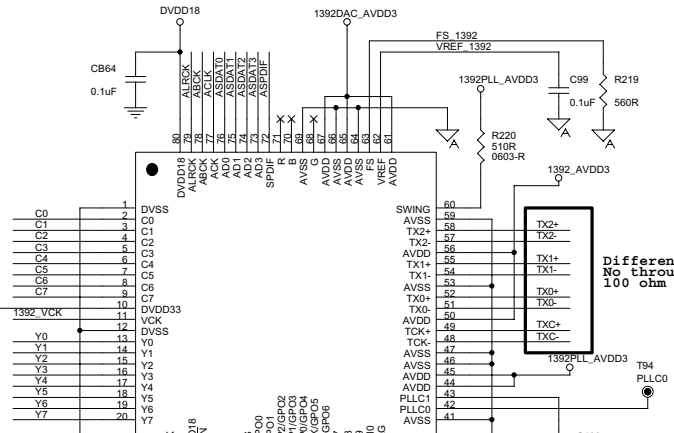
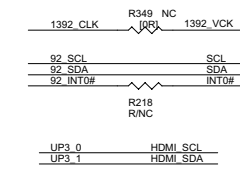
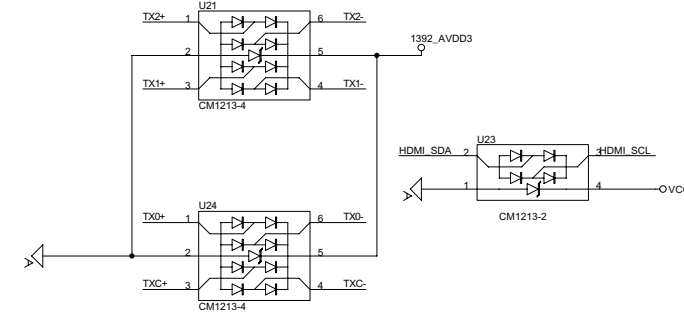
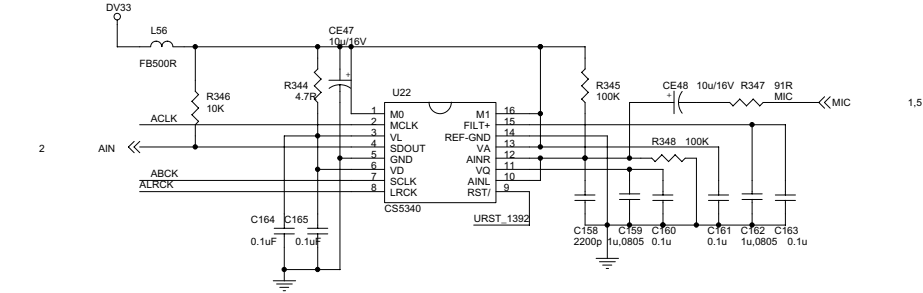




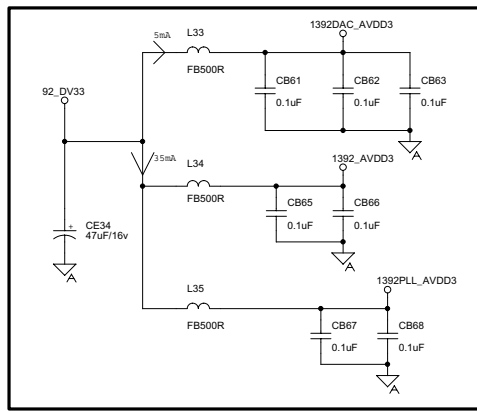
### Main Board: AUDIO OUT & SCART for DVP5960/5965K



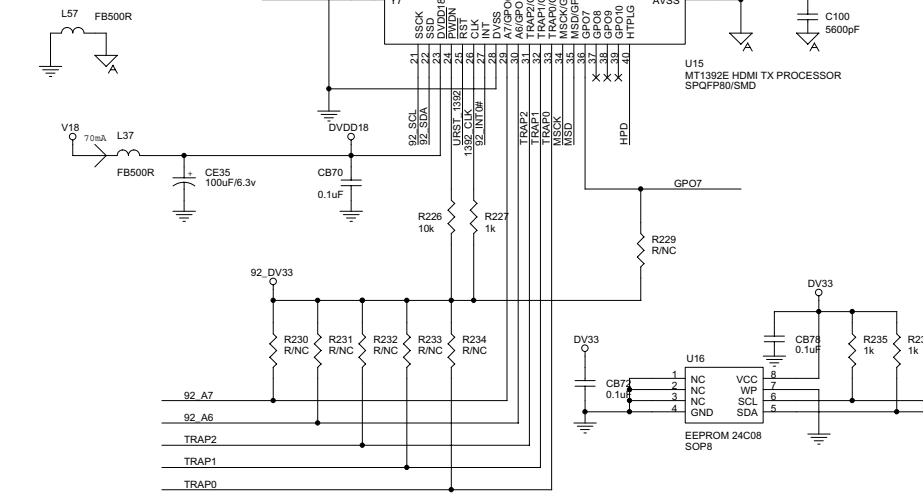
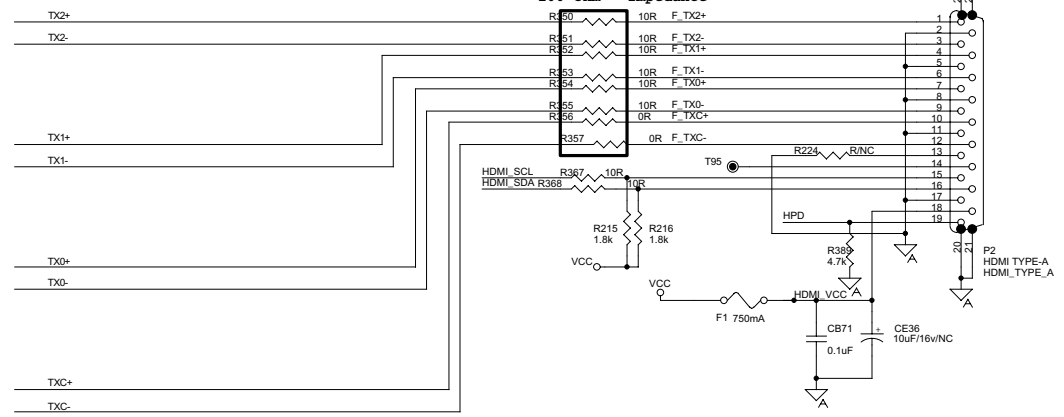
Main Board : HDMI OUT MT1395 & KARAOOK for DVP5960/5965K



Differential Signal !  
No through hole & shorter is better !  
100 ohm - Impedance



Differential Signal !  
No through hole & shorter is better !  
100 ohm - Impedance

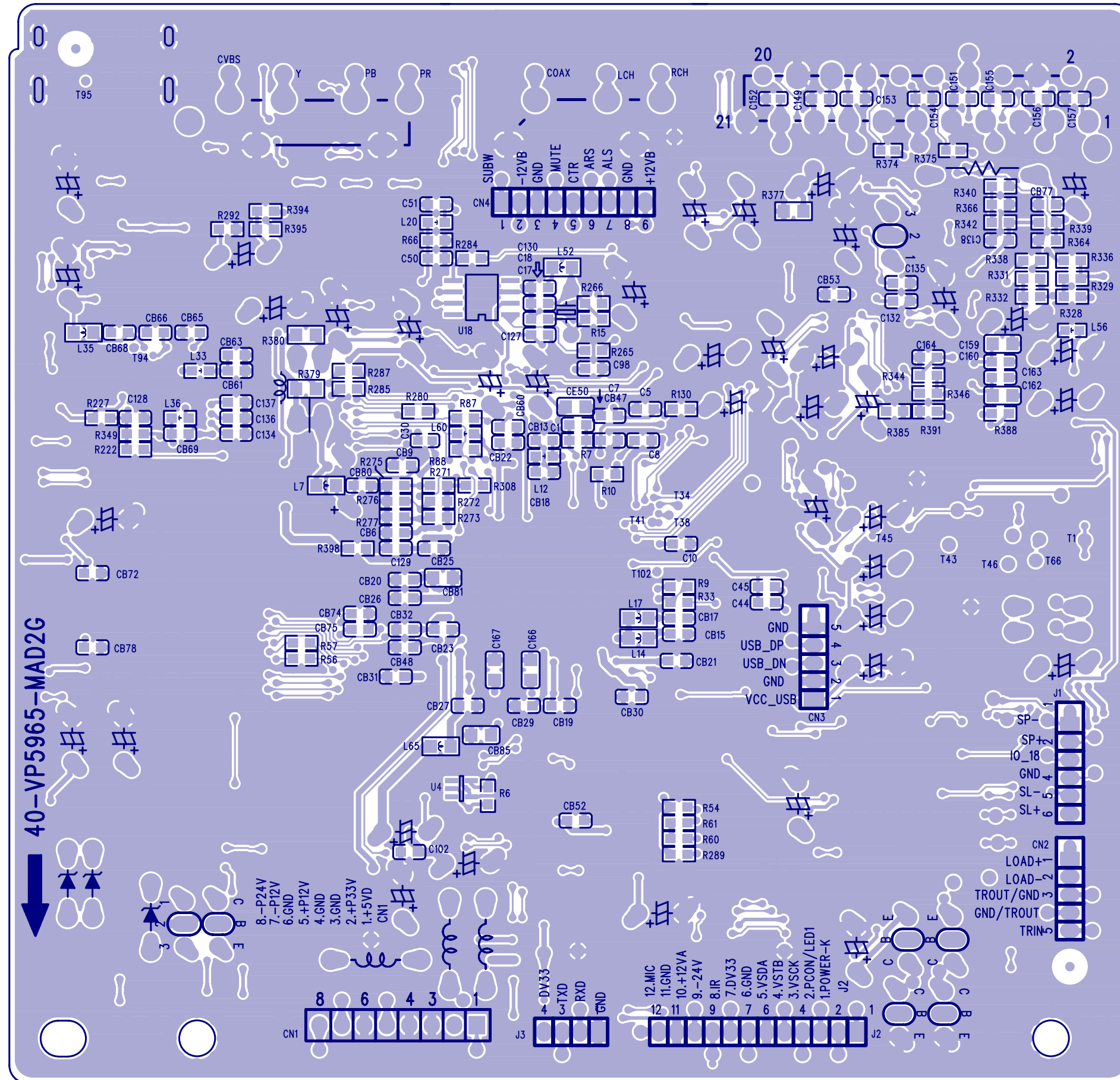


C99	4 C
CB61	3 C
CB62	3 C
CB63	3 C
CB64	5 C
CB65	3 C
CB66	3 C
CB67	3 B
CB68	3 B
CB69	5 B
CB70	5 B
CB71	2 A
CB72	4 A
CB78	4 A
C164	5 D
C165	5 D
C160	4 D
C161	4 D
C163	4 D
R356	3 B
R357	3 B
R215	2 A
R216	2 A
R227	5 A
R235	4 A
R236	4 A
C162	4 D
C159	4 D
R344	5 D
R389	2 A
R346	5 D
R350	3 B
R351	3 B
R352	3 B
R353	3 B
R354	3 B
R355	3 B
R367	3 B
R368	3 B
R226	5 A
CB48	4 D
CB47	5 D
CB36	2 A
CB34	3 C
R347	4 D
R345	4 D
R348	4 D
CE35	5 B
R220	4 C
R219	4 C
F1	2 A
C158	4 D
C100	4 B
U23	2 D
U21	3 D
U24	3 C
U22	5 D
U16	4 A
L56	5 D
L33	3 C
L34	3 C
L35	3 B
L36	5 B
L37	5 B
L57	5 B
P2	2 B
U15	5 C
R349	5 C
T94	4 B
R218	5 C
R224	2 B
R229	4 A
R230	5 A
R231	5 A
R232	5 A
R233	5 A
R234	5 A
T95	2 B

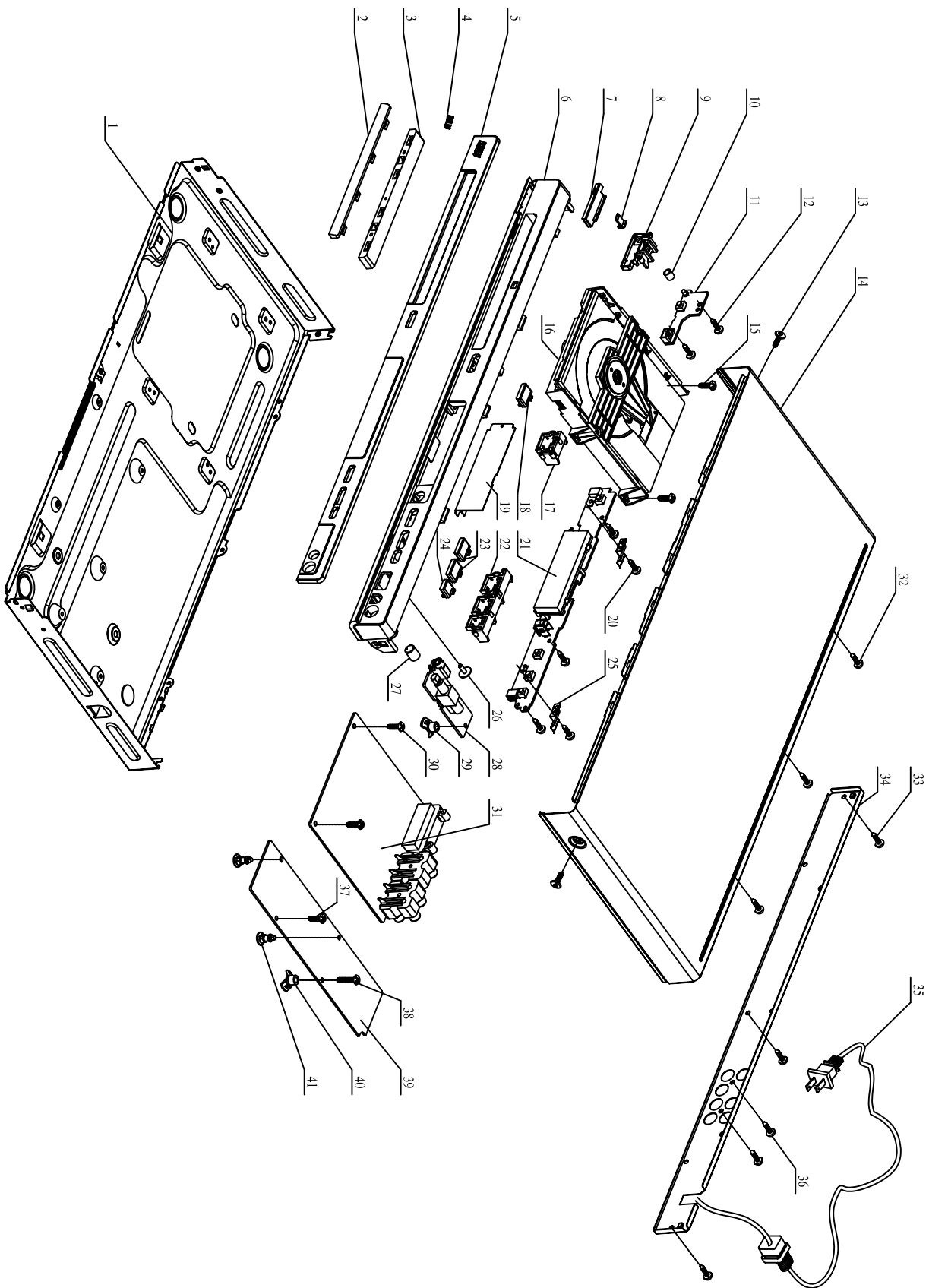
URST_1392	URST_1392	2.5
CID_7I	CID_7I	2
YD_7I	YD_7I	2
ASDATI0_3I	ASDAT[0..3]	2.5
ALRCK	ALRCK	2.5
ACLK	ACLK	2
ABCK	ABCK	2.5
ASPDIF	ASPDIF	2.5
UP3_0	UP3_0	2
UP3_1	UP3_1	2
SCL	SCL	2,3,5
SDA	SDA	2,3,5
INT0#	INT0#	2
1392_CLK	1392_CLK	2
1392_VCK	1392_VCK	2



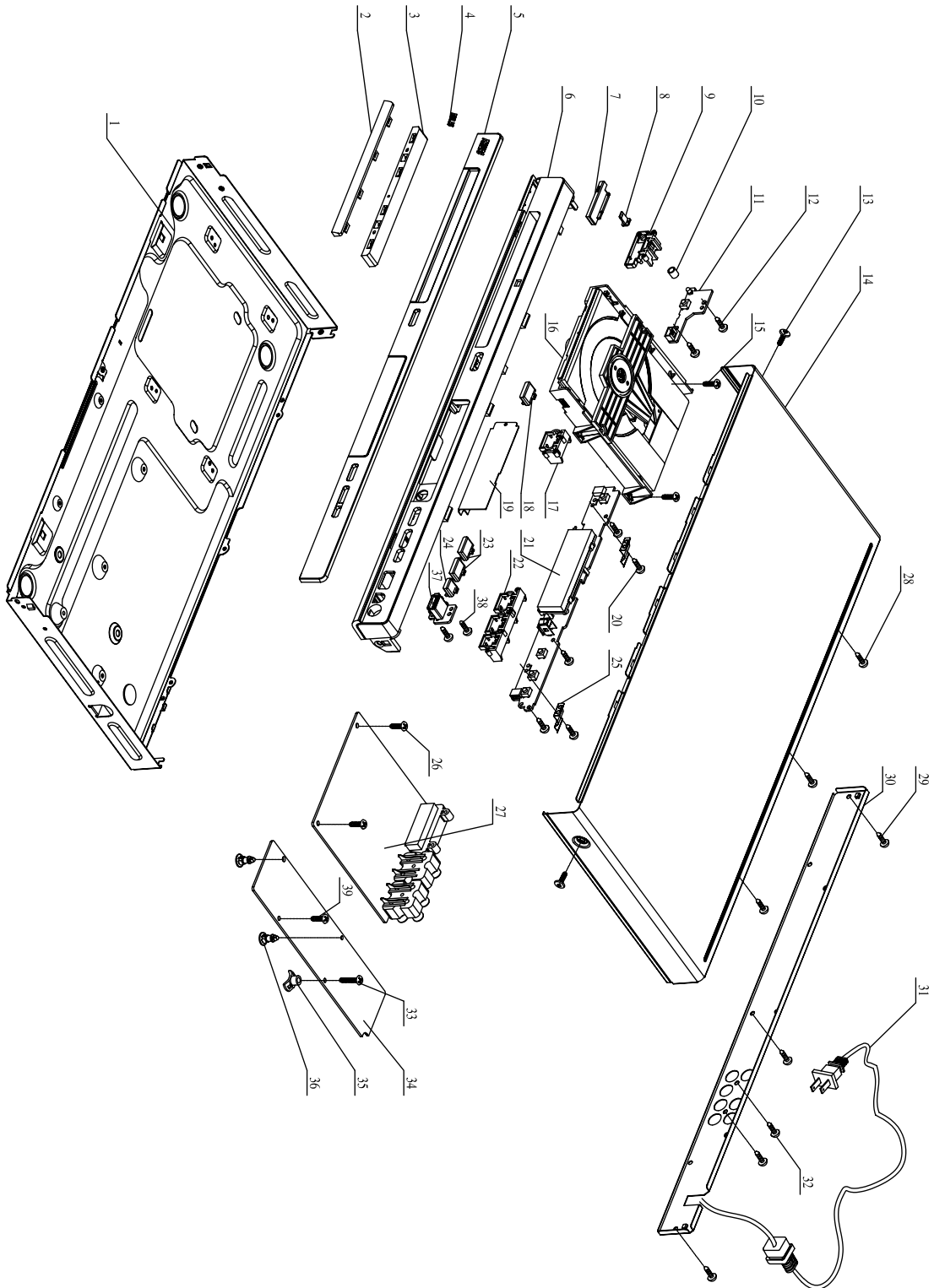
Main Board Print-layout (Bottom Side) for DVP5960/5965(K)



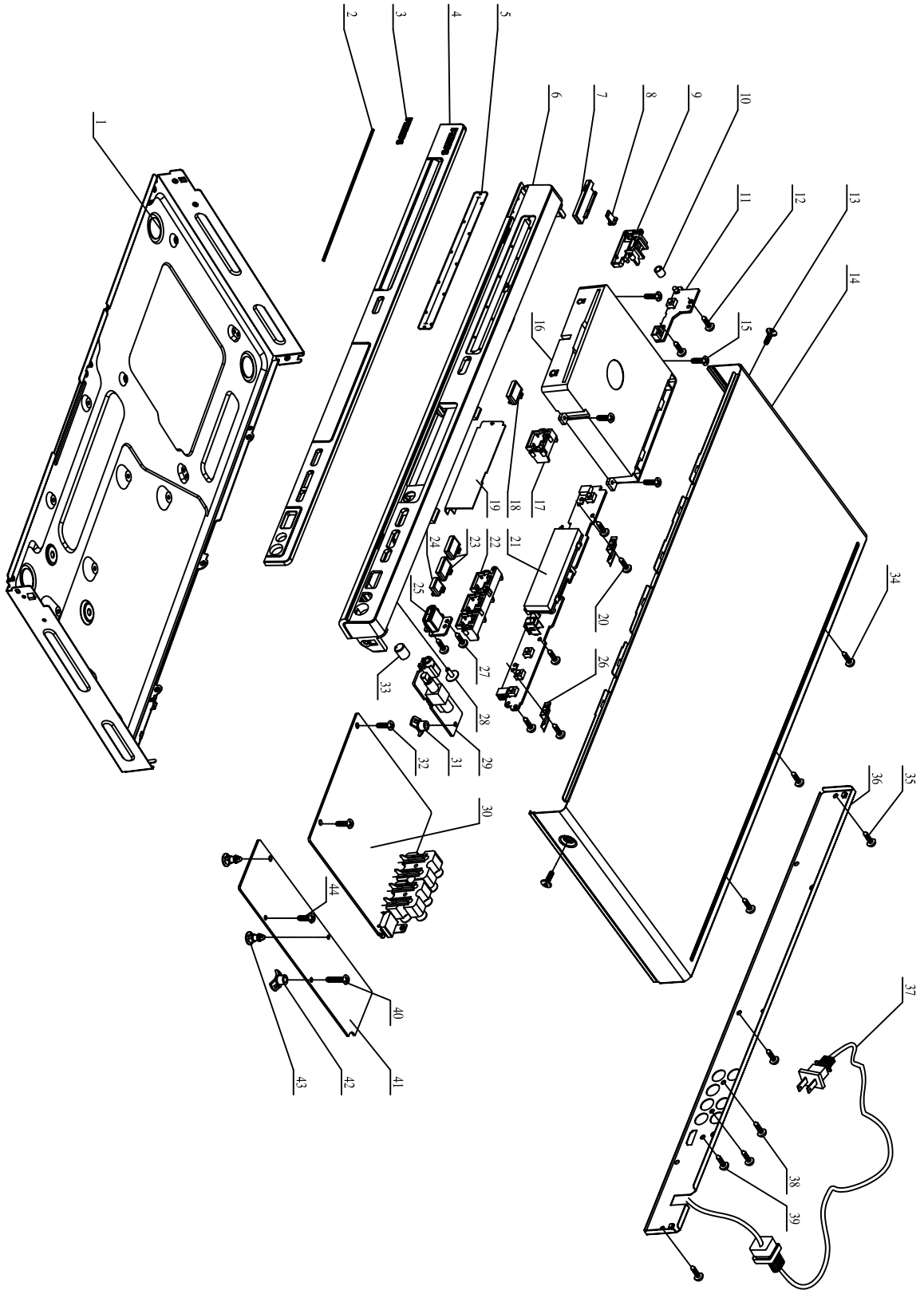
DVP5140(K)/XX, DVP5142/XX Mechanical Exploded View



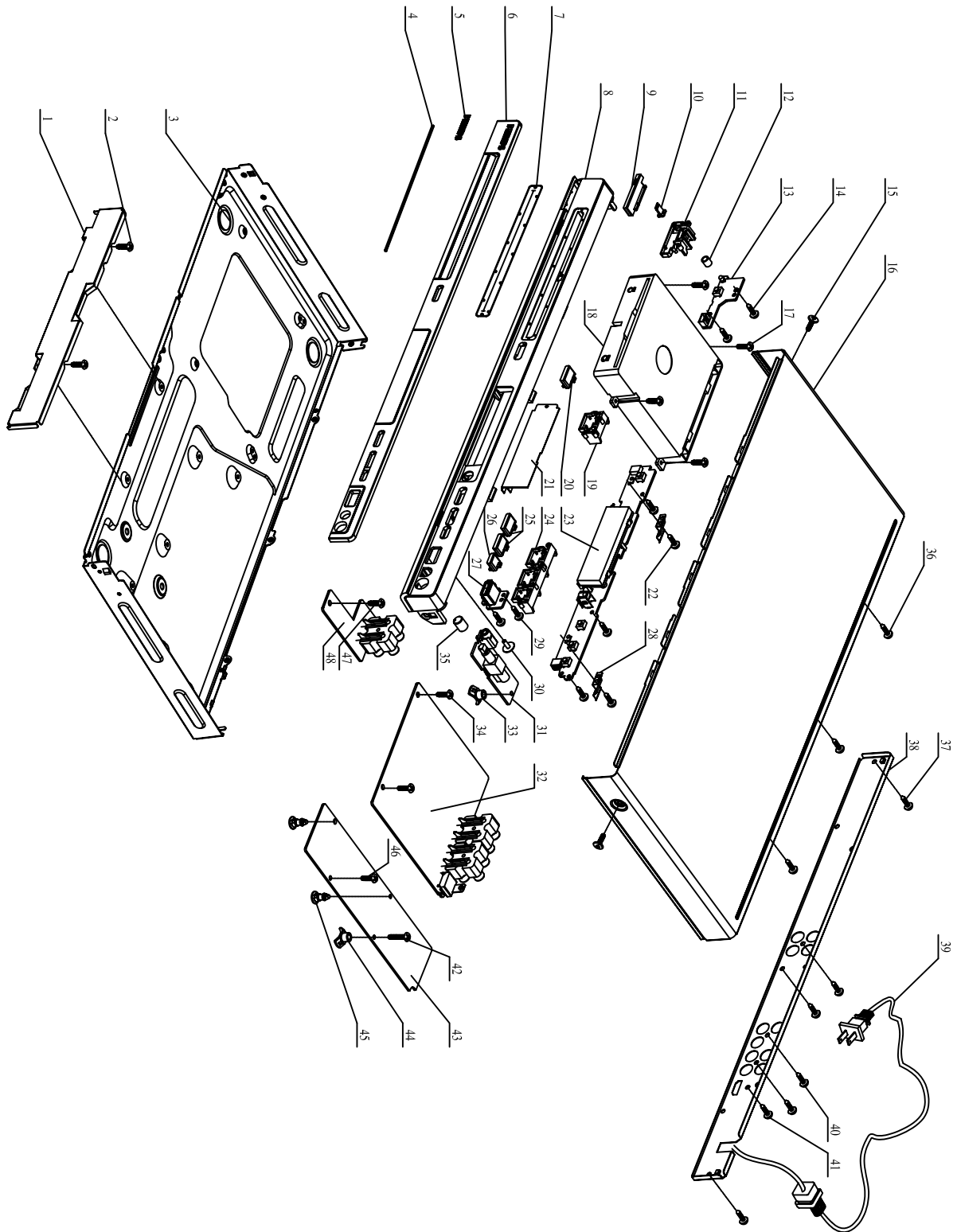
## DVP5960/XX Mechanical Exploded View



DVP5965K/XX Mechanical Exploded View



DVP5965K/93 Mechanical Exploded View





## MAIN ENCASING & ACCESSORIES PARTS LIST

### DVP5140K/98/93/51/61

11	9965 000 34178	ASS'Y-SW BD
16	9965 000 34182	ASS'Y-LOADER
28	9965 000 34185	ASS'Y-FB BD
31	9965 000 34186	ASS'Y-OK BD
31	9965 000 34197	ASSY-MAIN BD (/98 ONLY)
31	9965 000 34196	ASSY-MAIN BD (/93 ONLY)
31	9965 000 34183	ASSY-MAIN BD (/51 ONLY)
35	9965 000 23298 \$	MAINS CABLE 1 65M (/98/51 ONLY)
35	9965 000 23406 \$	MAINS CABLE 1 65M (/93 ONLY)
35	9965 000 23517 \$	MAINS CABLE 1 65M (/61 ONLY)
39	9965 000 34180	ASS'Y-PW BD (/98 ONLY)
39	9965 000 34184	ASS'Y-PW BD (/93/51 ONLY)
AC	9965 000 22497	AUDIO CABLE 1 5M WHITE/RED
RC	9965 000 34181	REMOTE CONTROL
VC	9965 000 22495	VIDEO CABLE 1 5M YEL

### DVP5140/37/12/05

RC	9965 000 34176	REMOTE CONTROL
----	----------------	----------------

### DVP5140K/03

RC	9965 000 34181	REMOTE CONTROL
----	----------------	----------------

### DVP5142/12

RC	9965 000 34176	REMOTE CONTROL
----	----------------	----------------

### DVP5965K/96

11	9965 000 34178	ASS'Y-SW BD
16	9965 000 35368	ASS'Y- LOADER
21	9965 000 34185	ASS'Y-FB BD
25	9965 000 35363	ASS'Y- USB BD
29	9965 000 34186	ASS'Y-OK BD
30	9965 000 35366	ASSY-MAIN BD
39	9965 000 29257 \$	AC CORD PLUG
41	9965 000 34189	ASS'Y-PW BD
AC	9965 000 22497	AUDIO CABLE 1,5M WHITE/RED
CON	9965 000 38441	FLAT CABLE 24P
RC	9965 000 35367	REMOTE CONTROL
VC	9965 000 22495	VIDEO CABLE 1,5M YEL

### DVP5965K/98/93/75/55

11	9965 000 34178	ASS'Y-SW BD
16	9965 000 35368	ASS'Y- LOADER
21	9965 000 34185	ASS'Y-FB BD
25	9965 000 35363	ASS'Y- USB BD
29	9965 000 34186	ASS'Y-OK BD
30	9965 000 35366	ASSY-MAIN BD (/98/55 Only)
32	9965 000 35369	ASSY-MAIN BD (/93 only)
25	9965 000 35363	ASS'Y- USB BD (/75 Only)
39	9965 000 23404 \$	MAINS CABLE 1,65M W/2PIN CONN. (/75 Only)
39	9965 000 13933 \$	POWER CORD 1880 +/-20MM
39	9965 000 23406 \$	MAINS CABLE 1,65M W/2PIN CONN. (/93 Only)
39	9965 000 34200 \$	POWER CORD1880 /-20MM (/55 Only)
39	9965 000 23298 \$	MAINS CABLE 1,65M W/2PIN (/51 Only)
41	9965 000 34192	ASS'Y-PW BD
43	9965 000 34189	ASS'Y-PW BD (/93/75/55/51 Only)
AC	9965 000 22497	AUDIO CABLE 1,5M WHITE/RED
RC	9965 000 35367	REMOTE CONTROL
VC	9965 000 22495	VIDEO CABLE 1,5M YEL

### DVP5960/12/05/37

RC	9965 000 35359	REMOTE CONTROL
----	----------------	----------------

Note: Only the parts mentioned in this list are normal service spare parts.

## REVISION LIST

### Version 1.0

- \* Initial release

### Version 1.1

- Update of partlist with additional model.
- DVP5140K/61/03

### Version 1.2

- Update of partlist with additional model.
- DVP5965K/98/93/75/55 and DVP5960/12/05/37

### Version 1.3

- Update of partlist with additional model.
- DVP5965K/96