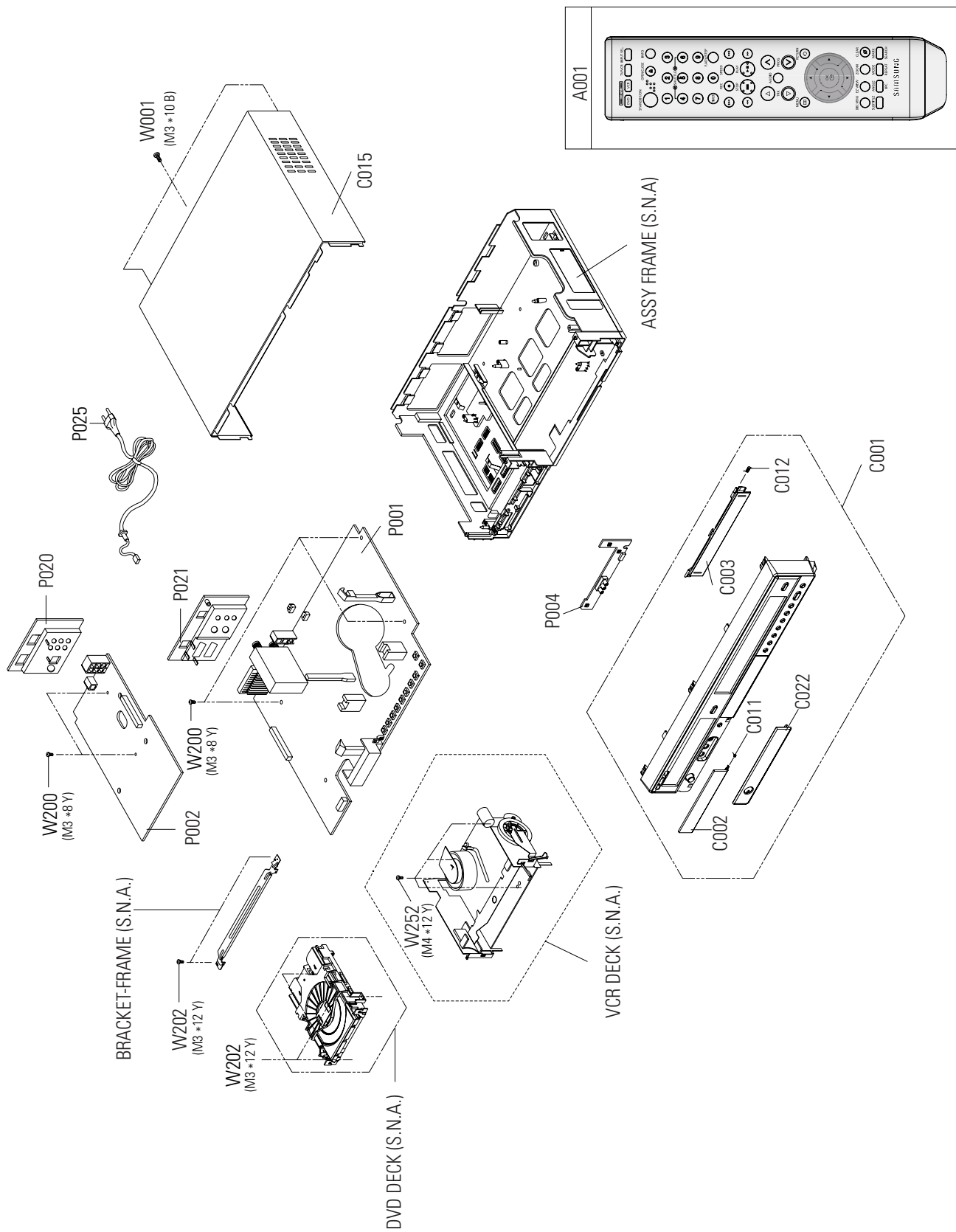

6. Exploded View and Parts List

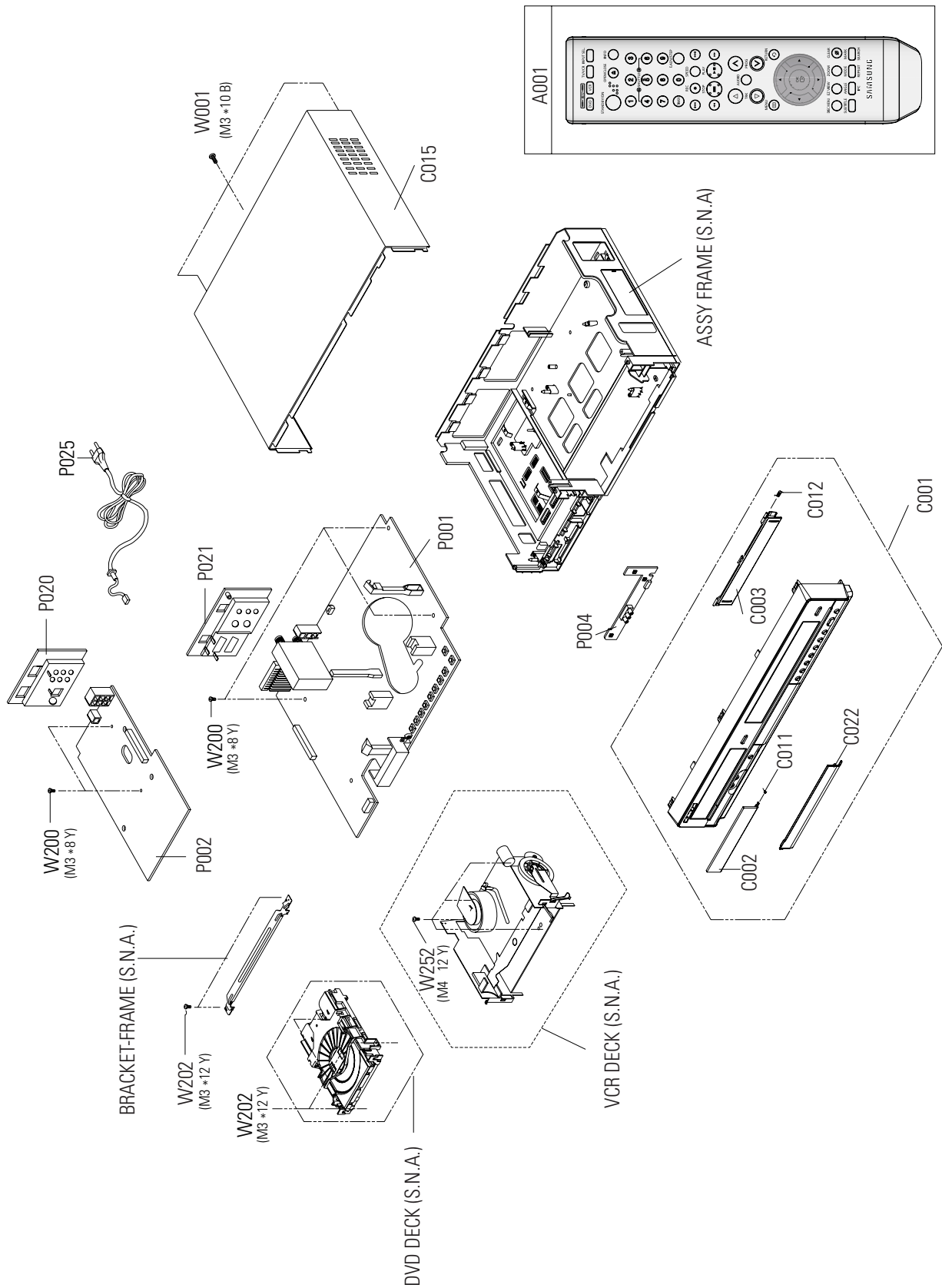
6-1 Cabinet Assembly (DVD-V5600)	6-2
6-2 Cabinet Assembly (DVD-V6600)	6-4
6-3 VCR Mechanical Parts (Top Side)	6-6
6-4 VCR Mechanical Parts (Bottom Side)	6-8
6-5 DVD Mechanical Parts	6-10

6-1 Cabinet Assembly (DVD-V5600)



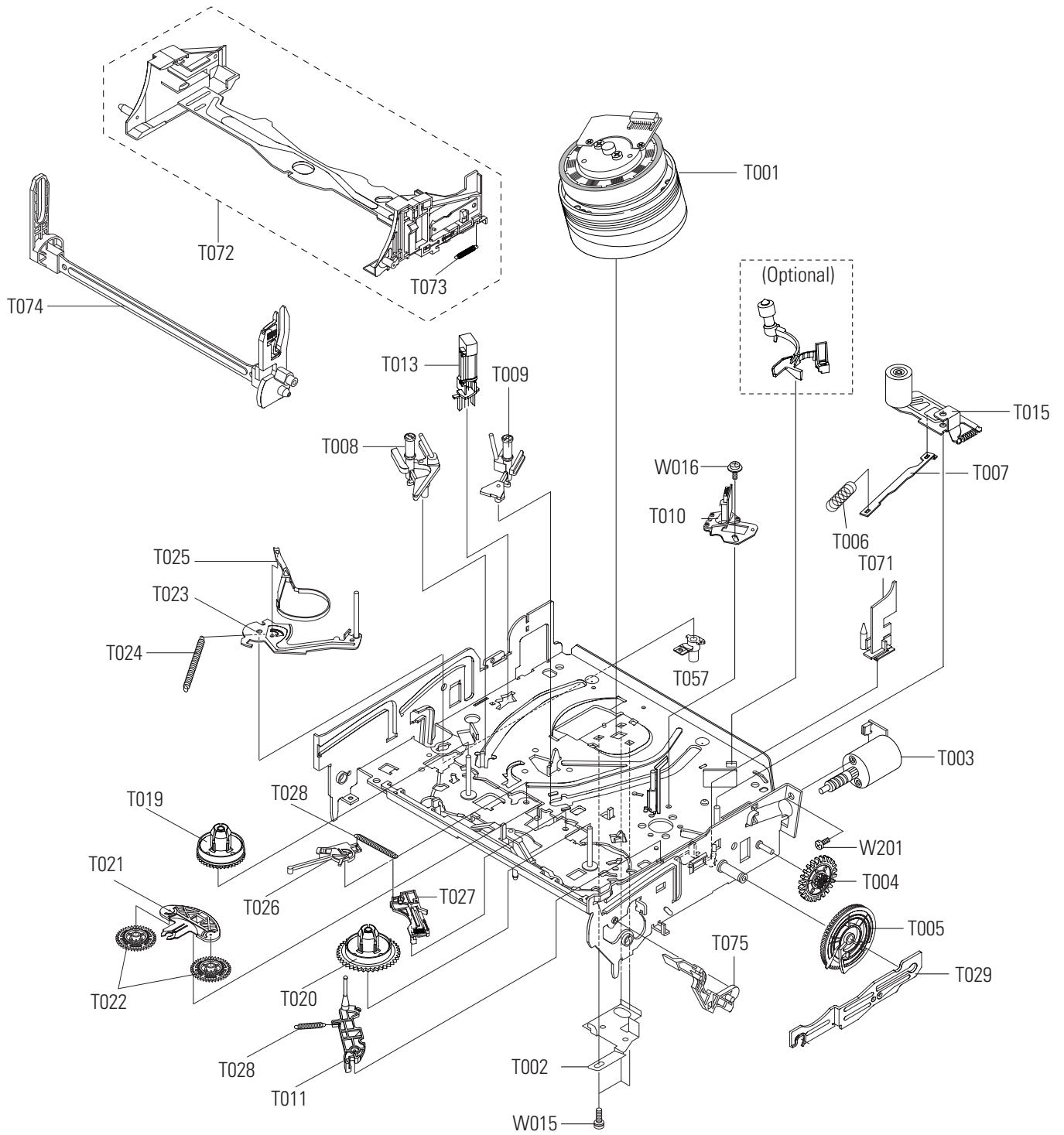
Loc. No	Parts No.	Description ; Specification	Q ty	S.N.A	Remark
A001	AK59-00052A	REMOCON-ASSY;DVD-V6600/XEF,SEC,197	1	SA	
C001	AK97-01486C	ASSY-PANEL FRONT;HIPS94V2,DVD-V560	1	SA	DVD-V5600/XEB,XEF
	AK97-01486D	ASSY-PANEL FRONT;HIPS94V2,DVD-V560	1	SA	DVD-V5600/XEU,XEN,XEC,XEE,XEG,XET, EUR,XEO
	AK97-01486E	ASSY-PANEL FRONT;HIPS94V2,DVD-V560	1	SA	DVD-V5600/XEV
C002	AK64-01575A	DOOR-TRAY;DVD-V5600,ABS94HB,T2.35,	1	SA	
C003	AK64-01574C	DOOR-CASSETTE;DVD-V5600,ABS94HB,T2	1	SA	DVD-V5600/XEB,XEF
	AK64-01574D	DOOR-CASSETTE;DVD-V5600,ABS94HB,T2	1	SA	DVD-V5600/XEU,XEN,XEC,XEE,XEG,XET,EUR,XEO
	AK64-01574E	DOOR-CASSETTE;DVD-V5600,ABS94HB,T2	1	SA	DVD-V5600/XEV
C011	AK64-00334A	DOOR-SPRING;DVD-V3500,SWPB,,,,-,	1	SA	
C012	AC61-62032A	SPRING ETC-MASK;SV-C130,SUS,4.4,-,	1	SA	
C015	AK64-00536G	CABINET-TOP;DVD-V5600/XEF,PCM,T0.5	1	SA	
C022	AK64-01582A	DOOR-FRONT;DVD-V5600,HIPS 94HB,T2.	1	SA	
P001	AK92-00825A	ASSY PCB-MAIN VCR;DVD-V5600/XEF,SE	1	SA	DVD-V5600/XEB,XEF
	AK92-00825B	ASSY PCB-MAIN VCR;DVD-V5600,V6600/	1	SA	DVD-V5600/XEU,XEN,XEC,XEE
	AK92-00825C	ASSY PCB-MAIN VCR;DVD-V5600,V6600/	1	SA	DVD-V5600/XEG,XET
	AK92-00825D	ASSY PCB-MAIN VCR;DVD-V5600,V6600/	1	SA	DVD-V5600/EUR,XEO
	AK92-00854J	ASSY PCB-MAIN VCR;DVD-V5600/XEV,SE	1	SA	DVD-V5600/XEV
P002	AK92-00840A	ASSY PCB-MAIN DVD;DVD-V5600,XEF,SE	1	SA	
P004	AK92-00834E	ASSY PCB-SUB;DVD-V5600/XEV,FUNCTIO	1	SA	DVD-V5600/XEV
	AK92-00834G	ASSY PCB-SUB;DVD-V5600, EURO,FUNCT	1	SA	DVD-V5600/XEF,XEB,XEU,XEN,XEC,XEE,XEG,XET, EUR,XEO
P020	AK97-00814B	ASSY-CONNECTOR BOARD;HIPS 94HB,DVD	1	SA	
P021	AK61-00308A	CONNECTOR-BOARD VCR;SV-DVD440,HIPS	1	SA	DVD-V5600/XEF,XEB,XEU,XEN,XEC,XEE,XEG,XET, EUR,XEO
	AK61-00320A	CONNECTOR BOARD;SV-DVD340/XEF,HIPS	1	SA	DVD-V5600/XEV
P025	AC39-10019A	CBF-POWER CORD;KKP-419C,H03VVH2-F,	1	SA	DVD-V5600/XEF,XEB,XEV,XEN,XEC,XEE,XEG,XET, EUR,XEO
	AC39-12022K	CBF-POWER CORD;AT,,GP2,HOUING(2P),	1	SA	DVD-V5600/XEU
W001	6003-000275	SCREW-TAPTITE;BH,+,-,B,M3,L10,ZPC(3	SA	
W200	6003-001375	SCREW-TAPTITE;BH,+,B,M3,L8,ZPC(YEL	5	SA	
W202	6003-000277	SCREW-TAPTITE;BH,+,B,M3,L12,ZPC(YE	5	SA	
W252	AC60-12126A	SCREW-MACHINE;TH,+,-,M4,L12,ZPC(YE	4	SC	

6-2 Cabinet Assembly (DVD-V6600)



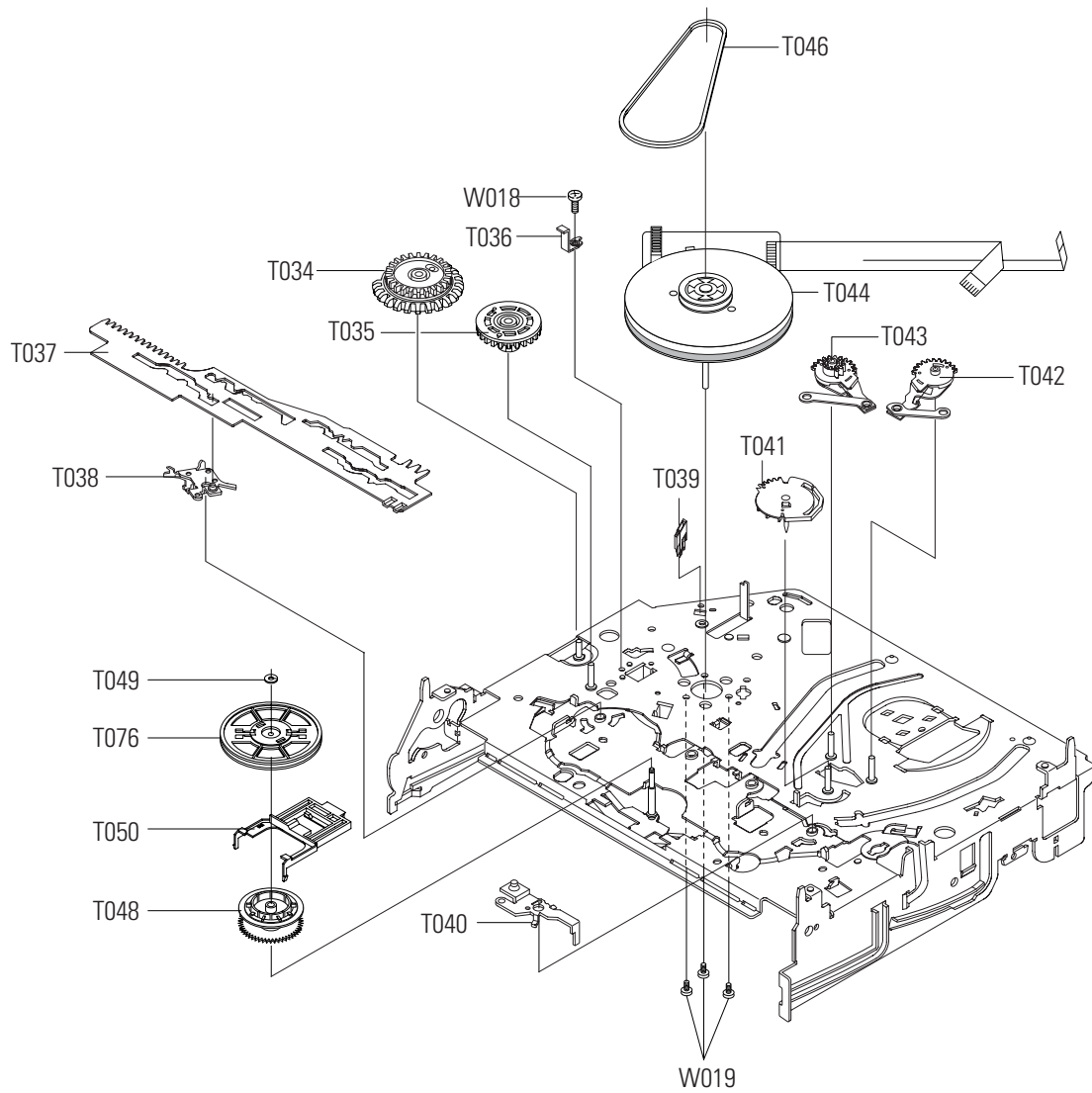
Loc. No	Parts No.	Description ; Specification	Q ty	S.N.A	Remark
A001	AK59-00052A	REMOCON-ASSY;DVD-V6600/XEF,SEC,197	1	SA	
C001	AK97-01497C	ASSY-PANEL FRONT;HIPS94HB,DVD-V660	1	SA	DVD-V6600/XEB,XEF
	AK97-01497D	ASSY-PANEL FRONT;HIPS94HB,DVD-V660	1	SA	DVD-V6600/XEC,XEG,XEH,XEO,XET,XEN
C002	AK64-01575A	DOOR-TRAY;DVD-V5600,ABS94HB,T2.35,	1	SA	
C003	AK64-01574H	DOOR-CASSETTE;DVD-V5600,ABS94HB,T2	1	SA	DVD-V6600/XEB,XEF
	AK64-01574J	DOOR-CASSETTE;DVD-V5600,ABS94HB,T2	1	SA	DVD-V6600/XEC,XEG,XEH,XEO,XET,XEN
C011	AK64-00334A	DOOR-SPRING;DVD-V3500,SWPB,,,,,-,,	1	SA	
C012	AC61-62032A	SPRING ETC-MASK;SV-C130,SUS,4.4,-,	1	SA	
C015	AK64-00536H	CABINET-TOP;DVD-V6600/XEF,PCM,T0.5	1	SA	
C022	AK64-01612B	DOOR-FRONT;DVD-V6600,HIPS 94HB,T2.	1	SA	
P001	AK92-00825A	ASSY PCB-MAIN VCR;DVD-V5600/XEF,SE	1	SA	DVD-V6600/XEB,XEF
	AK92-00825B	ASSY PCB-MAIN VCR;DVD-V5600,V6600/	1	SA	DVD-V6600/XEC,XEN
	AK92-00825C	ASSY PCB-MAIN VCR;DVD-V5600,V6600/	1	SA	DVD-V6600/XEG,XET
	AK92-00825D	ASSY PCB-MAIN VCR;DVD-V5600,V6600/	1	SA	DVD-V6600/XEH,XEO
P002	AK92-00840A	ASSY PCB-MAIN DVD;DVD-V5600,XEF,SE	1	SA	
P004	AK92-00834G	ASSY PCB-SUB;DVD-V5600, EURO,FUNCT	1	SA	
P020	AK97-00814B	ASSY-CONNECTOR BOARD;HIPS 94HB,DVD	1	SA	
P021	AK61-00307B	CONNECTOR BOARD;DVD-V440/XSA,HIPS	1	SA	
P025	AC39-10019A	CBF-POWER CORD;KKP-419C,H03VVH2-F,	1	SA	
W001	6003-000275	SCREW-TAPTITE;BH,+,-,B,M3,L10,ZPC(3	SA	
W200	6003-001375	SCREW-TAPTITE;BH,+,-,B,M3,L8,ZPC(YEL	5	SA	
W202	6003-000277	SCREW-TAPTITE;BH,+,-,B,M3,L12,ZPC(YE	5	SA	
W252	AC60-12126A	SCREW-MACHINE;TH,+,-,M4,L12,ZPC(YE	4	SC	

6-3 VCR Mechanical Parts (Top Side)



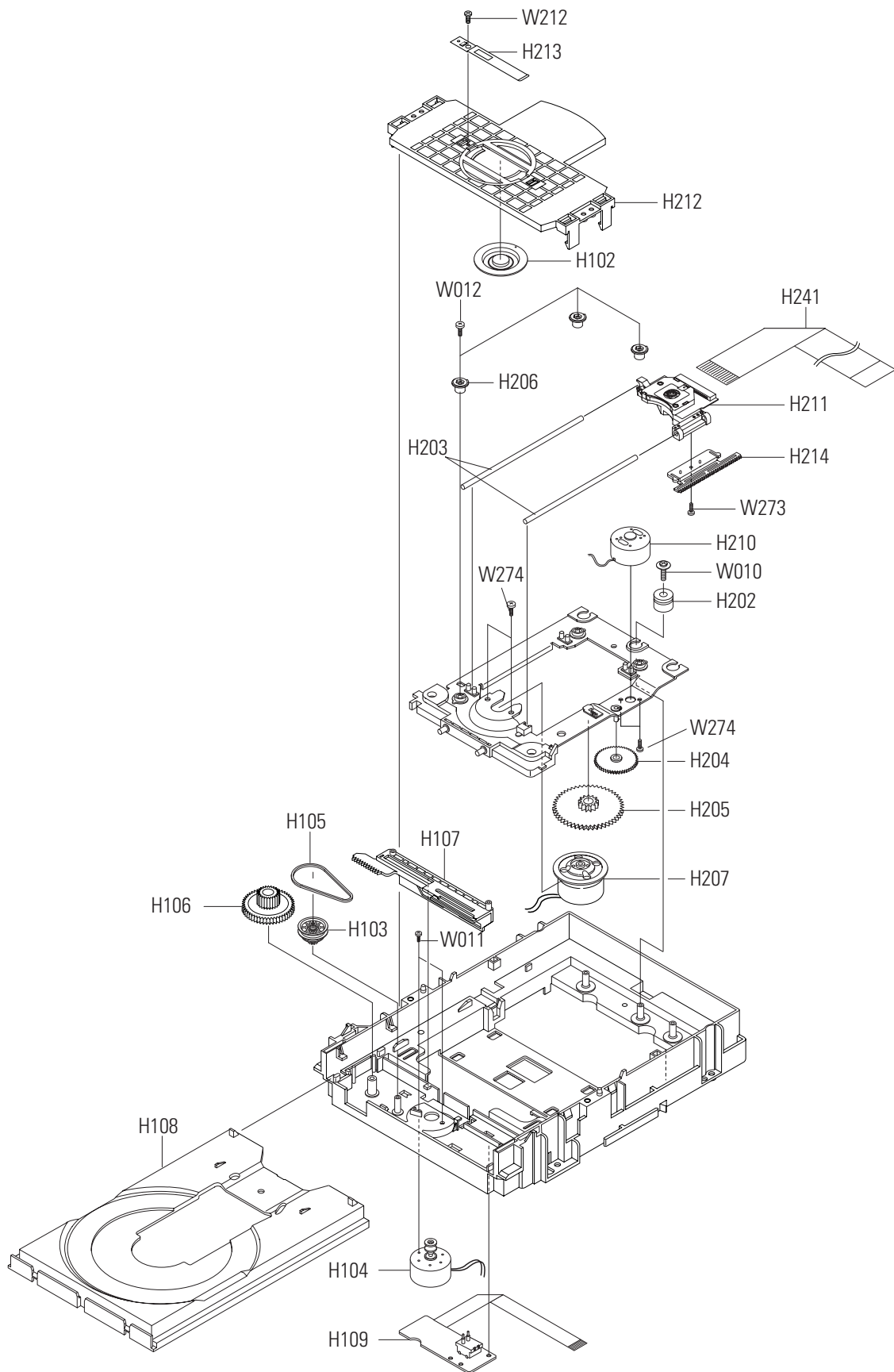
Loc. No	Parts No.	Description ; Specification	Q ty	S.N.A	Remark
T001	AC97-02626A	ASSY-CYLINDER;6SS,CX13A-MIRIO,SECA	1	SA	DVD-V5600/XEF,XEB,XEU,XEN,XEC,XEE,XEG,XET, EUR,XEO
					DVD-V6600/XEF,XEB,XEN,XEC,XEG,XET,XEH,XEO
	AC97-02636A	ASSY-CYLINDER;2P,CX13A-MIRIO,PAL 2	1	SA	DVD-V5600/XEV
T002	AC61-00391A	PLATE-GROUND DECK;X-13,SPTE,T0.3,-	1	SA	
T003	AC31-00018A	MOTOR-LOADING ASSY;-;SCORPIO2(TS-1	1	SA	
T004	AC66-00101A	GEAR-WORM WHEEL;X-13,POM(M90-44 EQ	1	SA	
T005	AC66-00102A	GEAR-FL CAM;X-13,POM(M90-44 EQU),-	1	SA	
T006	AC61-00105A	SPRING ETC-PINCH DRIVE;TS-10,SUS30	1	SA	
T007	AC61-00390A	PLATE-JOINT;X-13,SECC 20/20,T0.8,-	1	SA	
T008	AC97-02570A	ASSY-SLIDER SUPPLY;(PPS),X-13,-	1	SA	
T009	AC97-02556A	ASSY-SLIDER TAKE UP;-;X-13,-	1	SA	
T010	AC97-02625A	ASSY-HEAD A/C;-;X-13A,-	1	SA	DVD-V5600/XEF,XEB,XEU,XEN,XEC,XEE,XEG,XET, EUR,XEO
					DVD-V6600/XEF,XEB,XEN,XEC,XEG,XET,XEH,XEO
	AC97-02561A	ASSY-HEAD ACE;-;X-13,-	1	SA	DVD-V5600/XEV
T011	AC66-00094A	LEVER-9 GUIDE;X-13,PPS,-,-,-,BRO	1	SA	
T013	AC33-00018A	HEAD-FULL ERASE;-;X-13,-,-	1	SA	
T015	AC97-02620A	ASSY-UNIT PINCH;-;X-13A,-	1	SA	
T019	AC66-00124A	REEL-S;X-13,POM,-,BLK,2.5,-,27,-	1	SA	
T020	AC66-00123A	REEL-T;X-13,POM,-,BLK,2.5,-,36.5,-	1	SA	
T021	AC66-00115A	LEVER-IDLE;X-13,POM,T15,W38,L25,-,	1	SA	
T022	AC66-00114A	GEAR-IDLE;X-13,PET,0.5,54,27,NAT,2	2	SA	
T023	AC97-02562A	ASSY-LEVER TENSION;-;X-13,-	1	SA	
T024	AC61-00107A	SPRING ETC-TENSION LEVER;TS-10,SUS	1	SA	
T025	AC97-02560A	ASSY-BAND BRAKE;-;X-13,-	1	SA	
T026	AC97-02567A	ASSY-LEVER BRAKE S;-;X-13,-	1	SA	
T027	AC97-02568A	ASSY-LEVER BRAKE T;-;X-13,-	1	SA	
T028	AC61-00106A	SPRING ETC-BRAKE;TS-10,SUS304-WPB,	2	SA	
T029	AC66-00104A	SLIDER-FL DRIVE;X-13,SECC,T1.0,W15	1	SA	
T057	AC61-00386A	SLEEVE-TENSION;X-13,-,2.5,-,-,-,	1	SA	
T071	AC61-00388A	GUIDE-CASS DOOR;X-13,POM(M90-44 EQ	1	SA	
T072	AC97-02622A	ASSY-HOLDER CASSETTE;SECC+POM+SUS,	1	SA	
T073	AC61-00397A	SPRING ETC-LOCK;X-13,SWP-B,0.25,2.	1	SA	
T074	AC97-02564A	ASSY-LEVER ARM;-;X-13,-	1	SA	
T075	AC66-00108A	LEVER-DOOR;X-13,POM,-,W30,L75,-,NA	1	SA	
W015	6006-001092	SCREW-MACHINE;WS,PH,+,M3.0,L6.0,ZP	3	SA	
W016	6006-001154	SCREW-TAPTITE;WSP,PH,+,M2.6,L5.6,Z	1	SA	
W201	6001-001711	SCREW-MACHINE;PH,+,M3,L3.3,ZPC(YEL	1	SA	

6-4 VCR Mechanical Parts (Bottom Side)



Loc. No	Parts No.	Description ; Specification	Q ty	S.N.A	Remark
T034	AC66-00103A	GEAR-JOINT 1;X-13,POM(M90-44 EQU),	1	SA	
T035	AC66-00077A	GEAR-JOINT 2;X-11,POM(K300),-,-,-,	1	SA	
T036	AC61-00389A	BRACKET-GEAR;X-13,SECC 20/20,T0.8,	1	SA	
T037	AC66-00092A	SLIDER-CAM;X-13,SECC 20/20,T1.2,-,	1	SA	
T038	AC66-00099A	LEVER-PINCH DRIVE;X-13,SECC 20/20,	1	SA	
T039	AC70-00003A	HOOK-CAPSTAN;-,-,L10,W10,H10,POM(M	1	SA	
T040	AC66-00100A	LEVER-TENSION DRIVE;X-13,SECC 20/2	1	SA	
T041	AC66-00078A	GEAR-LOADING DRIVE;X-11,POM(K300),	1	SA	
T042	AC97-02557A	ASSY-LEVER LOADING S;-,-,X-13,-	1	SA	
T043	AC97-02558A	ASSY-LEVER LOADING T;-,-,X-13,-	1	SA	
T044	3101-001430	MOTOR-CAPSTAN;-,-,12V,90mA	1	SA	
T046	AC66-60051A	BELT-PULLEY;-,-,5CM-70,2 * 2,-,71.3,	1	SA	
T048	AC97-02566A	ASSY-GEAR CENTER;-,-,X-13,-	1	SA	
T049	AC60-30306A	FASTENER-WASHER SLIT;-,-,ID2.1,OD5	1	SA	
T050	AC66-00111A	LEVER-UP DOWN;X-13,POM,T15,E25,L55	1	SA	
T076	AC97-02569A	ASSY-CLUTCH;-,-,X-13,-	1	SA	
W018	6003-001450	SCREW-TAPTITE;PH,+ ,S,M2.6,L5,ZPC(Y	1	SA	
W019	6003-000108	SCREW-TAPTITE;BH,+ ,B,M2.6,L6,ZPC(Y	3	SA	

6-5 DVD Mechanical Parts



Loc. No	Parts No.	Description ; Specification	Q ty	S.N.A	Remark
H102	AK61-00360A	BODY CLAMPER-DISC;DP-16,POM,T0.7,-	1	SA	
H103	AK66-00042A	GEAR-PULLEY;DP-15,POM,-,-,-,WHT,-,	1	SA	
H104	AK97-00608A	ASSY-MOTOR LOAD;-,-,DP-15,-	1	SA	
H105	6602-001076	BELT-RECTANGULAR;CR,T1.2,4.3%,1.2X	1	SA	
H106	AK66-00041A	GEAR-TRAY;DP-15,POM,-,-,-,WHT,-,-,	1	SA	
H107	AK66-00045A	SLIDER HOUSING;DP-15,POM,-,W17.8,L	1	SA	
H108	AK63-00101D	TRAY-DISC;DP-16,ABS,-,W120,L186.3,	1	SA	
H109	AK92-00328A	ASSY PCB-DECK;DP-15,-	1	SA	
H202	AK73-00005B	RUBBER-INSULATOR;DP-15,BUTYL,●'12,	1	SA	
H203	AH61-50327A	SHAFT-P/U;DP-3,SUS,L84.7,OD3,-,-,-	2	SA	
H204	AK66-00043A	GEAR-FEED A;DP-15,POM,-,-,-,-,-,-,	1	SA	
H205	AK66-00044A	GEAR-FEED B;DP-15,POM,-,-,-,-,-,-,	1	SA	
H206	AK61-00363A	HOLDER-CAM SKEW;DP-16,POM,-,-,-,BL	3	SA	
H207	AK31-00017A	MOTOR DC-SPINDLE;RF300FA-12350,DP-	1	SA	
H210	AK31-00005A	MOTOR-FEED ASSY;-,-,DP-9,-,-,-,-,-,-	1	SA	
H211	AK97-01453A	ASSY-PICK UP;-,-,DP-19,LD VE	1	SA	
H212	AK61-00359A	HOLDER-CHUCK;DP-16,POM,T3,W140,L96	1	SA	
H213	AK61-00357A	SPRING ETC-CLAMPER;-,-,SUS304CSP;-,-	1	SA	
H214	AK66-00057A	GEAR-BACKLASH;DP-16,POM,0.5,-,-,-,WH	1	SA	
H241	AK41-00250A	FFC-PU;DP-17,-,-,23P,-,1mm	1	SA	
W010	6003-001157	SCREW-TAPTITE;PWH,+ ,B,M2,L6,ZPC(YE	1	SA	
W011	6001-001370	SCREW-MACHINE;CH,+ ,M1.7,L3.0,ZPC(Y	2	SA	
W012	6002-001086	SCREW-TAPPING;PH,+ ,B,M1.7,L5.0,ZPC	3	SA	
W212	6003-001251	SCREW-TAPTITE;CH,+ ,-,B,M1.7,L3,ZPC	1	SA	
W273	6003-000233	SCREW-TAPTITE;PH,+ ,-,B,M2,L6,ZPC(B	1	SA	
W274	6001-001730	SCREW-MACHINE;BH,+ ,-,M1.7,L2.5,ZPC	4	SA	

MEMO