

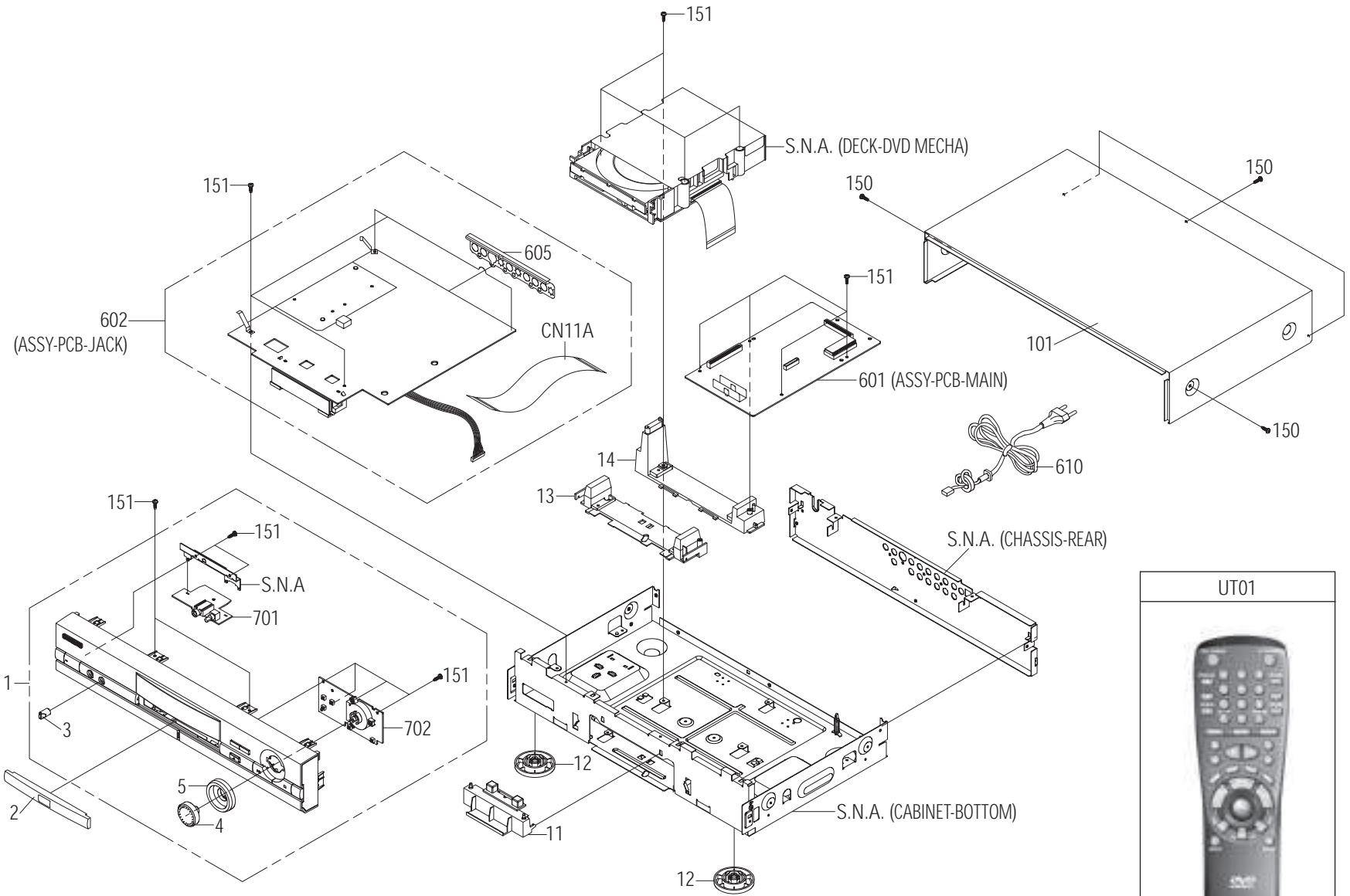
---

## 8. Exploded View and Parts List

---

	Page
<b>8-1 Cabinet Assembly (DVD-909) - - - - -</b>	<b>8-2</b>
<b>8-2 Cabinet Assembly (DVD-709) - - - - -</b>	<b>8-4</b>
<b>8-3 Deck Assembly - - - - -</b>	<b>8-6</b>

### 8-1 Cabinet Assembly (DVD-909)

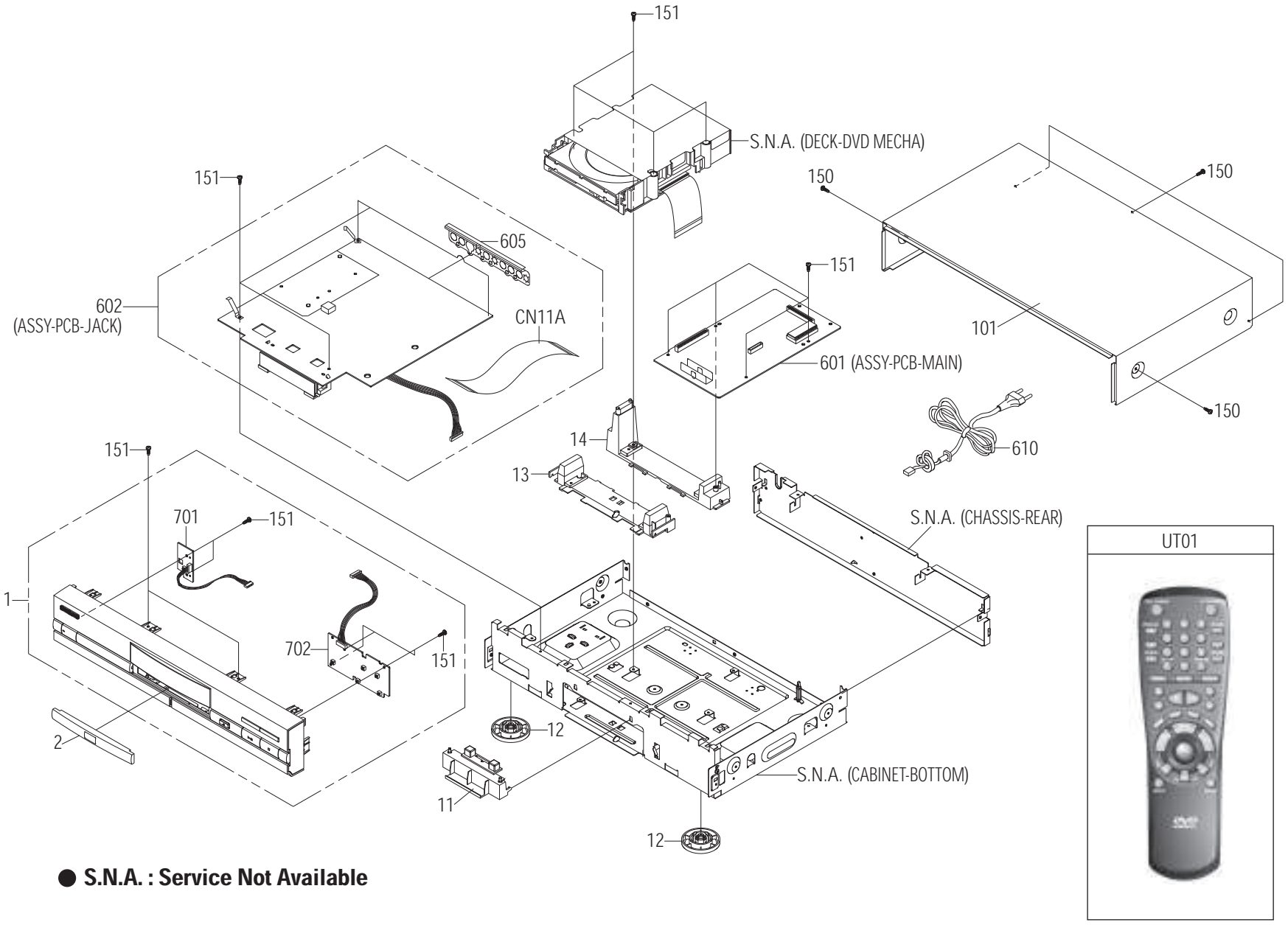


● S.N.A. : Service Not Available

Loc. No	Parts No.	Description ; Specification	Remark
1	Refer to table below	ASSY-CABINET FRONT;DVD-909,ASSY,EXPORT	
2	Refer to table below	ASSY-DOOR TRAY;DVD-739,ABS,XAA	
3	Refer to table below	KNOB-VOLUME;- ,ABS94,HB,L/GRAY,- ,DVD-909	
4	Refer to table below	KNOB-JOG;- ,ABS94,HB,BLK,- ,DVD-909	
5	Refer to table below	KNOB-SHUTTLE;- ,ABS94,HB,BLK,- ,DVD-909	
11	AH61-00194A	HOLDER-DECK A;- ,ABS 94HB,- ,DVD-909	
12	AH64-80001E	FOOT-FRONT;- ,ABS94,HB,T2,SIL,H/STAMP,DVD	
13	AH61-00194B	HOLDER-DECK B;- ,ABS 94HB,- ,BLK,- ,DVD-909	
14	AH61-00194C	HOLDER-DECK C;- ,ABS 94HB,- ,BLK,- ,DVD-909	
101	Refer to table below	ASSY-CABINET TOP;ABS,	
150	Refer to table below	SCREW-TAPTITE;BH,+ ,B,M3,L10,SWCH1018	
151	6003-000276	SCREW-TAPTITE;BH,+ ,B,M3,L10,ZPC(YEL),SWC	
601	Refer to table below	ASSY-PCB-MAIN;DVD-909,MAIN PCB	
602	Refer to table below	ASSY-PCB-JACK;DVD-909,JACK PCB	
605	AH63-00040A	GROUND-REAR;- ,PBS,T0.2,- ,DVD-909	
610	AH39-00034A	POWER CORD;- ,1.83M,CONNECTOR (EP-2)	NORTH AMERICA
	AH39-00129A	POWER CORD;- ,1.83M,CONNECTOR	LATIN AMERICA
	AH39-00042A	POWER CORD;- ,1.83M,CONNECTOR (BS)	U.K
	AH39-10002R	POWER CORD;- ,1.83M,CONNECTOR (AP-2)	AUSTRALIA
	AH39-00041A	POWER CORD;- ,1.83M,CONNECTOR (CP-2)	COMMON
701	AH92-00169A	ASSY-PCB-PHONE POWER;DVD-909,PHONE	
702	AH92-00168A	ASSY-PCB-PLAY;DVD-909,PLAY	
CN11A	3809-001133	CABLE-FLAT;30V,80C,200MM,35P,1.25MM,UL28	
UT01	Refer to table below	REMOCON-ASS'Y;- ,-, -,48,DVD-909,S.S	

REGIONAL NUMBER	1	2	3	4	5	101	150	601	602	UT01	
<b>1</b>	AH95-10353K	AH95-50369E	AH64-11306C	AH64-11346A	AH64-11345A	AH97-00188A	6003-000275	AH92-00052A	AH92-00053A	AH59-10141A	
<b>2</b>	<b>EUROPE</b>	AH95-10353L	AH95-50369A	AH64-11306E	AH64-11346B	AH64-11345B	AH97-00188C	AH60-00025A	AH92-00054A	AH92-00055A	AH59-10141B
	<b>TRKEY</b>	AH95-10353H	AH95-50369E	AH64-11306C	AH64-11346A	AH64-11345A	AH97-00188C	AH60-00025A	AH92-00054A	AH92-00055A	AH59-10141B
<b>4</b>	AH95-10353L	AH95-50369A	AH64-11306E	AH64-11346B	AH64-11345B	AH97-00188C	AH60-00025A	AH92-00436A	AH92-00437A	AH59-10141B	
<b>5</b>	AH95-10353L	AH95-50369A	AH64-11306E	AH64-11346B	AH64-11345B	AH97-00188C	AH60-00025A	AH92-00413A	AH92-00412A	AH59-10141B	

### 8-2 Cabinet Assembly (DVD-709)

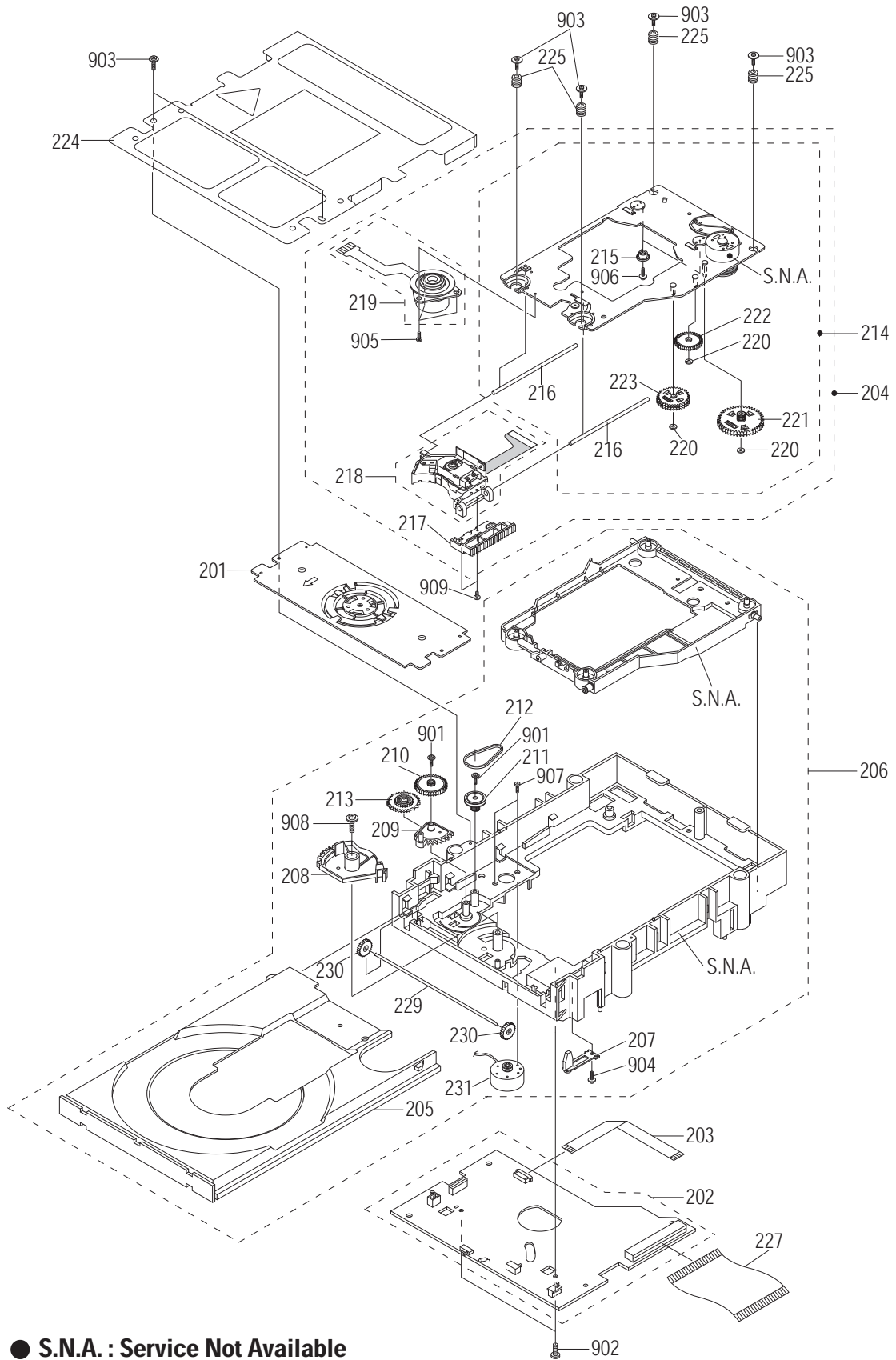


● S.N.A. : Service Not Available

Loc. No	Parts No.	Description ; Specification	Remark
1	Refer to table below	ASSY-CABINET FRONT;DVD-709,ASSY,EXPORT	
2	Refer to table below	ASSY-DOOR TRAY;DVD-709,ABS	
11	AH61-00194A	HOLDER-DECK A;-,ABS 94HB,-,DVD-909	
12	AH64-80001E	FOOT-FRONT;-,ABS94,HB,T2,SIL,H/STAMP,DVD	
13	AH61-00194B	HOLDER-DECK B;-,ABS 94HB,-,BLK,-,DVD-909	
14	AH61-00194C	HOLDER-DECK C;-,ABS 94HB,-,BLK,-,DVD-909	
101	Refer to table below	ASSY-CABINET TOP;DVD-709,ABS	
150	Refer to table below	SCREW-TAPTITE;BH,+,B,M3,L10,BLK,SWCH1018	
151	6003-000276	SCREW-TAPTITE;BH,+,B,M3,L10,ZPC(YEL),SWC	
601	Refer to table below	ASSY-PCB-MAIN;DVD-709,MAIN PCB	
602	Refer to table below	ASSY-PCB-JACK;DVD-709,JACK PCB	
605	AH63-00040A	GROUND-REAR;-,PBS,T0.2,-,DVD-909	
610	AH39-00034A	POWER CORD;-,1.83M,CONNECTOR (EP-2)	NORTH AMERICA
	AH39-00129A	POWER CORD;-,1.83M,CONNECTOR	LATIN AMERICA
	AH39-00042A	POWER CORD;-,1.83M,CONNECTOR (BS)	U.K
	AH39-10002R	POWER CORD;-,1.83M,CONNECTOR (AP-2)	AUSTRALIA
	AH39-00041A	POWER CORD;-,1.83M,CONNECTOR (CP-2)	COMMON
701	AH92-00167A	ASSY-PCB-POWER;DVD-709,POWER	
702	AH92-00166A	ASSY-PCB-PLAY;DVD-709,PLAY	
CN11A	3809-001133	CABLE-FLAT;30V,80C,200MM,35P,1.25MM,UL28	
UT01	Refer to table below	REMOCON-ASS'Y;-,-,48,DVD-909,S.S	

REGIONAL NUMBER		1	2	101	150	601	602	UT01
<b>1</b>		AH95-10355A	AH95-50369C	AH97-00188A	6003-000275	AH92-00056A	AH92-00057A	AH59-10141A
<b>2</b>	<b>EUROPE</b>	AH95-10355C	AH95-50369A	AH97-00188C	AH60-00025A	AH92-00058A	AH92-00059A	AH59-10141B
	<b>TRKEY</b>	AH95-10355L	AH95-50369C	AH97-00188C	AH60-00025A	AH92-00058A	AH92-00059A	AH59-10141B
<b>4</b>		AH95-10355C	AH95-50369A	AH97-00188C	AH60-00025A	AH92-00450A	AH92-00273A	AH59-10141B
<b>5</b>		AH95-10355C	AH95-50369A	AH97-00188C	AH60-00025A	AH92-00439A	AH92-00440A	AH59-10141B

### 8-3 Deck Assembly



Loc. No	Parts No.	Description ; Specification	Remark
201	AH91-60117A	ASSY-DECK CLAMPER;DVD860,-,DP-1	
202	AH92-00035A	ASSY-PCB-DECK;DP-3,-	
203	3809-001125	CABLE-FLAT;30V,80C,140MM,8P,1MM,UL2896	
204	AH91-60147A	ASSY-BRKT DECK;DP-3,DVD-909,-	
205	AH66-90054A	TRAY-DVD;DP,ABS,-,BLK,-,DP-1	
206	AH91-60154A	ASSY-DECK HOUSING;DP-3,DVD-909,-	
207	AH66-30087A	LEVER-OPEN SW;DP,KEPITAL,T0.7,L26,F20-03	
208	AH66-20194A	GEAR-CAM CENTER;DP,KEPITAL F20-03,M1.2,Z	
209	AH66-20183A	GEAR-CAM SUB;DP,KEPITAL FT2020,M1,2,Z7,-	
210	AH66-20185A	GEAR-TRAY A;DP,KEPITAL F20-03,M0.4/M0.5,	
211	AH66-10024A	PULLEY-GEAR;DP,KEPITAL F20-03,BLK,DP-1	
212	AH66-60033A	BELT-PULLEY;DP,CR,T1.5,0.08,L82.7,BLK,DP	
213	AH66-20184A	GEAR-TRAY;DP,KEPITAL F20-03,M0.5/M0.6,Z4	
214	AH97-00178A	ASSY-BRKT FEED;DP-3,-,SOH-DP1	
215	BG61-20031A	HOLDER-CAM;-POM,-,-,DDR-4	
216	AH61-50327A	SHAFT-P/U;DP,SUS420J2,OD3,L84.7,S/FINISH	
217	AH66-20228A	RACK-SLIDE;DP,KEPITAL F20-03,WHT,M0.4,P1	
218	AH30-20001B	PICK-UP;SPU-DP1 DVD-909	
219	AH91-60151A	ASSY-MOTOR SPINDLE;DP-3,DVD-909,-	
220	AH60-30020A	WASHER-PLAIN;DP,-,ID3.1,OD6,T0.3,RED COL	
221	AH91-60120A	ASSY-GEAR-FEED-AU/AL;DP-1,DVD-860,-	
222	AH66-20182A	GEAR-FEED B;DP,KEPITAL F20-03,M0.4,Z44,W	
223	AH91-60121A	ASSY-GEAR-FEED-CU/CL;DP-1,DVD-860,-	
224	AH63-30245B	COVER-sheet;-,-,T0.7,CLR,-,BLK CARBON,	
225	AH73-10017A	RUBBER-INSULATOR;RUBBER(LB-40),OD11,DP-1	
227	3809-001123	CABLE-FLAT;30V,80C,90MM,40P,1.25MM,UL289	
229	AH61-50323A	SHAFT-SYNCRO;-sus304,2.1,119,-,dvd-90	
230	AH66-22005A	GEAR-SYNCRO-A;KEPITAL F20-03,M0.8,Z9,-,P	
231	AH97-00179A	ASSY-HOUSING MOTOR;DP-3,-,SOH-DP1	
901	AH60-10151A	SCREW-TAP TITE;DP,SPEC6.8 PH,+,CP,M2,L	
902	AC60-10051A	SCREW-TAPPING;BH,-,M3,L8,FZY	
903	AH60-10143U	SCREW-TAP TITE;DP,PH,+,SPEC,TAP1.7,L5,ZP	
904	AH60-10145A	SCREW-TAP TITE;DP,PH,+,SPEC OD5.5 FP,TAP	
905	AH60-10147A	SCREW-MACHINE;DP,CH,+,FP,M2,L4,ZPC,SWRCH	
906	AC60-10059A	SCREW-TAPPING;BH,+,-,1.7,X5,ZPC2	
907	AH60-00010A	SCREW-MACHINE-MOTOR;-+,SWCH18AK,M1.7,L2	
908	AC60-10042A	SCREW-TAPPING;PWH,+,-,M3,L8,-	
909	BG60-10020A	SCREW-SP MOTOR;-BHW TOOTH,-,M1.7,L3,-	

# MEMO



## 9. Electrical Parts List

Loc.No	Part No	Description ; Specification	Remark	Loc.No	Part No	Description ; Specification	Remark
<b>601</b>		<b>ASSY-PCB-MAIN</b>		DRR10	2007-000084	R-CHIP;4.7Kohm,5%,1/16W,DA,TP,1608	
AR1	2007-000074	R-CHIP;100ohm,5%,1/16W,DA,TP,1608		DRR11	2007-000087	R-CHIP;6.8Kohm,5%,1/16W,DA,TP,1608	
AR2	2007-000074	R-CHIP;100ohm,5%,1/16W,DA,TP,1608		DRR12	2007-000087	R-CHIP;6.8Kohm,5%,1/16W,DA,TP,1608	
AR3	2007-000074	R-CHIP;100ohm,5%,1/16W,DA,TP,1608		DRR13	2007-000090	R-CHIP;10Kohm,5%,1/16W,DA,TP,1608	
AR4	2007-000074	R-CHIP;100ohm,5%,1/16W,DA,TP,1608		DRR14	2007-000070	R-CHIP;0ohm,5%,1/16W,DA,TP,1608	
AR5	2007-000074	R-CHIP;100ohm,5%,1/16W,DA,TP,1608		DRR3	2007-007157	R-CHIP;1ohm,5%,1/4W,DA,TP,3216	
AR6	2007-000074	R-CHIP;100ohm,5%,1/16W,DA,TP,1608		DRR4	2007-007157	R-CHIP;1ohm,5%,1/4W,DA,TP,3216	
AR7	2007-000070	R-CHIP;0ohm,5%,1/16W,DA,TP,1608		DRR7	2007-001179	R-CHIP;8.2Kohm,5%,1/16W,DA,TP,1608	
AR8	2007-000074	R-CHIP;100ohm,5%,1/16W,DA,TP,1608		DRR9	2007-000616	R-CHIP;24Kohm,5%,1/16W,DA,TP,1608	
AR9	2007-000070	R-CHIP;0ohm,5%,1/16W,DA,TP,1608		MC1	2203-000189	C-CERAMIC,CHIP;100nF,+80-20%,25V,Y5V,TP,	
CN6	3708-001085	CONNECTOR-FPC/FC/PIC;40P,1R,2.5mm,STRAIGHT		MC10	2203-000189	C-CERAMIC,CHIP;100nF,+80-20%,25V,Y5V,TP,	
CN7	3711-003358	CONNECTOR-HEADER;BOX,8P,1R,2.5mm,STRAIGHT		MC11	2203-000189	C-CERAMIC,CHIP;100nF,+80-20%,25V,Y5V,TP,	
CN8	3708-001364	CONNECTOR-FPC/FC/PIC;35P,1.25MM,STRAIGHT		MC12	2203-000189	C-CERAMIC,CHIP;100nF,+80-20%,25V,Y5V,TP,	
DC1	2203-000560	C-CERAMIC,CHIP;220nF,+80-20%,25V,Y5V,TP,		MC13	2203-000189	C-CERAMIC,CHIP;100nF,+80-20%,25V,Y5V,TP,	
DC10	2203-000189	C-CERAMIC,CHIP;100nF,+80-20%,25V,Y5V,TP,		MC14	2203-000189	C-CERAMIC,CHIP;100nF,+80-20%,25V,Y5V,TP,	
DC11	2203-000189	C-CERAMIC,CHIP;100nF,+80-20%,25V,Y5V,TP,		MC16	2203-001656	C-CERAMIC,CHIP;470pF,5%,50V,CH,TP,1608,1	
DC12	2203-000189	C-CERAMIC,CHIP;100nF,+80-20%,25V,Y5V,TP,		MC18	2203-001656	C-CERAMIC,CHIP;470pF,5%,50V,CH,TP,1608,1	
DC13	2203-000189	C-CERAMIC,CHIP;100nF,+80-20%,25V,Y5V,TP,		MC19	2203-001656	C-CERAMIC,CHIP;470pF,5%,50V,CH,TP,1608,1	
DC14	2203-000189	C-CERAMIC,CHIP;100nF,+80-20%,25V,Y5V,TP,		MC2	2203-000189	C-CERAMIC,CHIP;100nF,+80-20%,25V,Y5V,TP,	
DC15	2203-001567	C-CERAMIC,CHIP;10pF,0.5pF,50V,CH,1608,1,		MC20	2203-000189	C-CERAMIC,CHIP;100nF,+80-20%,25V,Y5V,TP,	
DC16	2203-000189	C-CERAMIC,CHIP;100nF,+80-20%,25V,Y5V,TP,		MC3	2203-000426	C-CERAMIC,CHIP;18pF,5%,50V,NPO,1608,-,TP	
DC2	2203-000560	C-CERAMIC,CHIP;220nF,+80-20%,25V,Y5V,TP,		MC4	2203-000426	C-CERAMIC,CHIP;18pF,5%,50V,NPO,1608,-,TP	
DC23	2203-000189	C-CERAMIC,CHIP;100nF,+80-20%,25V,Y5V,TP,		MC5	2203-000189	C-CERAMIC,CHIP;100nF,+80-20%,25V,Y5V,TP,	
DC24	2203-000189	C-CERAMIC,CHIP;100nF,+80-20%,25V,Y5V,TP,		MC6	2203-000189	C-CERAMIC,CHIP;100nF,+80-20%,25V,Y5V,TP,	
DC3	2203-000560	C-CERAMIC,CHIP;220nF,+80-20%,25V,Y5V,TP,		MC7	2203-000189	C-CERAMIC,CHIP;100nF,+80-20%,25V,Y5V,TP,	
DC4	2203-000189	C-CERAMIC,CHIP;100nF,+80-20%,25V,Y5V,TP,		MC8	2203-000189	C-CERAMIC,CHIP;100nF,+80-20%,25V,Y5V,TP,	
DC5	2203-000189	C-CERAMIC,CHIP;100nF,+80-20%,25V,Y5V,TP,		MC9	2203-000189	C-CERAMIC,CHIP;100nF,+80-20%,25V,Y5V,TP,	
DC6	2203-000189	C-CERAMIC,CHIP;100nF,+80-20%,25V,Y5V,TP,		MIC1	0903-001144	IC-MICROCONTROLLER;93CM41,8BIT,QFP,100P,	
DC7	2203-000189	C-CERAMIC,CHIP;100nF,+80-20%,25V,Y5V,TP,		MIC2	0801-002207	IC-CMOS LOGIC;74AC573,LATCH,SOP,20P,300M	
DC8	2203-000189	C-CERAMIC,CHIP;100nF,+80-20%,25V,Y5V,TP,		MIC5	1103-001133	IC-EEPROM;24C020,256x8BIT,SOP,8P,150MIL,	
DC9	2203-000189	C-CERAMIC,CHIP;100nF,+80-20%,25V,Y5V,TP,		MIC6	0801-002143	IC-CMOS LOGIC;7S32,OR GATE,SOT-25,5P,63M	
DE1	2401-002144	C-AL;47uF,20%,16V,GP,TP,5x11,5		MIC7	0801-000379	IC-CMOS LOGIC;74HC00,NAND GATE,SOP,14P,1	
DIC1	AH13-10030P	IC-ASIC,-,KS1453,TQFP,128P,DATA PRO. I		MIC8	S.N.A.	IC-EPROM;27C081,1MX8BIT,DIP,32P,600MIL,1	
DIC2	1105-001233	IC-DRAM;416C256,256KX16BIT,SOJ,40P,400MI		MIC8A	3704-000472	SOCKET-IC;32P,DIP,SN,2.54mm	
DIC7	0801-002097	IC-CMOS LOGIC;7SET08,AND GATE,SOP,5P,110		ML1	3301-000353	CORE-FERRITE BEAD;AB,2.0x1.25x0.9mm,-,-	
DL1	3301-000353	CORE-FERRITE BEAD;AB,2.0x1.25x0.9mm,-,-		MQ1	0504-000128	TR-DIGITAL,-,NPN,200MW,22K/22K,SOT-23,TP	
DRC1	2203-000189	C-CERAMIC,CHIP;100nF,+80-20%,25V,Y5V,TP,		MR1	2007-000084	R-CHIP;4.7Kohm,5%,1/16W,DA,TP,1608	
DRC10	2203-000189	C-CERAMIC,CHIP;100nF,+80-20%,25V,Y5V,TP,		MR10	2007-000084	R-CHIP;4.7Kohm,5%,1/16W,DA,TP,1608	
DRC11	2203-000189	C-CERAMIC,CHIP;100nF,+80-20%,25V,Y5V,TP,		MR12	2007-000074	R-CHIP;100ohm,5%,1/16W,DA,TP,1608	
DRC2	2203-000189	C-CERAMIC,CHIP;100nF,+80-20%,25V,Y5V,TP,		MR13	2007-000074	R-CHIP;100ohm,5%,1/16W,DA,TP,1608	
DRC3	2203-000189	C-CERAMIC,CHIP;100nF,+80-20%,25V,Y5V,TP,		MR14	2007-000074	R-CHIP;100ohm,5%,1/16W,DA,TP,1608	
DRC4	2203-000189	C-CERAMIC,CHIP;100nF,+80-20%,25V,Y5V,TP,		MR15	2007-000074	R-CHIP;100ohm,5%,1/16W,DA,TP,1608	
DRC5	2203-000189	C-CERAMIC,CHIP;100nF,+80-20%,25V,Y5V,TP,		MR16	2007-000074	R-CHIP;100ohm,5%,1/16W,DA,TP,1608	
DRC6	2203-000189	C-CERAMIC,CHIP;100nF,+80-20%,25V,Y5V,TP,		MR17	2007-000074	R-CHIP;100ohm,5%,1/16W,DA,TP,1608	
DRC7	2203-000189	C-CERAMIC,CHIP;100nF,+80-20%,25V,Y5V,TP,		MR18	2007-000074	R-CHIP;100ohm,5%,1/16W,DA,TP,1608	
DRC8	2203-000189	C-CERAMIC,CHIP;100nF,+80-20%,25V,Y5V,TP,		MR19	2007-000074	R-CHIP;100ohm,5%,1/16W,DA,TP,1608	
DRC9	2203-000189	C-CERAMIC,CHIP;100nF,+80-20%,25V,Y5V,TP,		MR2	2007-000109	R-CHIP;1Mohm,5%,1/16W,DA,TP,1608	
DRE1	2401-002075	C-AL;4.7uF,20%,50V,GP,TP,5x11,5		MR22	2007-000074	R-CHIP;100ohm,5%,1/16W,DA,TP,1608	
DRE2	2401-002075	C-AL;4.7uF,20%,50V,GP,TP,5x11,5		MR23	2007-000074	R-CHIP;100ohm,5%,1/16W,DA,TP,1608	
DRE3	2401-002075	C-AL;4.7uF,20%,50V,GP,TP,5x11,5		MR24	2007-000074	R-CHIP;100ohm,5%,1/16W,DA,TP,1608	
DRE4	2401-002144	C-AL;47uF,20%,16V,GP,TP,5x11,5		MR25	2007-000070	R-CHIP;0ohm,5%,1/16W,DA,TP,1608	
DRE5	2401-002144	C-AL;47uF,20%,16V,GP,TP,5x11,5		MR3	2007-000084	R-CHIP;4.7Kohm,5%,1/16W,DA,TP,1608	
DRE6	2401-002144	C-AL;47uF,20%,16V,GP,TP,5x11,5		MR33	2007-000070	R-CHIP;0ohm,5%,1/16W,DA,TP,1608	
DRE7	2401-002144	C-AL;47uF,20%,16V,GP,TP,5x11,5		MR34	2007-000084	R-CHIP;4.7Kohm,5%,1/16W,DA,TP,1608	
DRE8	2401-002144	C-AL;47uF,20%,16V,GP,TP,5x11,5		MR35	2007-000084	R-CHIP;4.7Kohm,5%,1/16W,DA,TP,1608	
DRE9	2401-002144	C-AL;47uF,20%,16V,GP,TP,5x11,5		MR36	2007-000124	R-CHIP;2.2Kohm,5%,1/16W,DA,TP,1608	
DRIC1	1003-001130	IC-MOTOR DRIVER;KA3011DTF,SOP,28P,-,QUAD		MR37	2007-000090	R-CHIP;10Kohm,5%,1/16W,DA,TP,1608	
DRIC2	1003-001067	IC-MOTOR DRIVER;KA3010D,SOP,28P,375MIL,Q		MR38	2007-000090	R-CHIP;10Kohm,5%,1/16W,DA,TP,1608	
DRL1	3301-000353	CORE-FERRITE BEAD;AB,2.0x1.25x0.9mm,-,-		MR39	2007-000103	R-CHIP;120Kohm,5%,1/16W,DA,TP,1608	
DRL2	3301-000353	CORE-FERRITE BEAD;AB,2.0x1.25x0.9mm,-,-		MR4	2007-000084	R-CHIP;4.7Kohm,5%,1/16W,DA,TP,1608	
				MR40	2007-000402	R-CHIP;150ohm,5%,1/16W,DA,TP,1608	
				MR43	2007-000102	R-CHIP;100Kohm,5%,1/16W,DA,TP,1608	

Electrical Parts List

Loc.No	Part No	Description ; Specification	Remark
MR5	2007-000084	R-CHIP;4.7Kohm,5%,1/16W,DA,TP,1608	
MR6	2007-000084	R-CHIP;4.7Kohm,5%,1/16W,DA,TP,1608	
MR7	2007-000084	R-CHIP;4.7Kohm,5%,1/16W,DA,TP,1608	
MR8	2007-000084	R-CHIP;4.7Kohm,5%,1/16W,DA,TP,1608	
MR9	2007-000084	R-CHIP;4.7Kohm,5%,1/16W,DA,TP,1608	
MXTAL1	2801-000199	CRYSTAL-UNIT;20MHz,50ppm,28-AAA,16pF,500	
PC1	2203-000189	C-CERAMIC,CHIP;100nF,+80-20%,25V,Y5V,TP,	
PC2	2203-000189	C-CERAMIC,CHIP;100nF,+80-20%,25V,Y5V,TP,	
PC3	2203-000189	C-CERAMIC,CHIP;100nF,+80-20%,25V,Y5V,TP,	
PC4	2203-000189	C-CERAMIC,CHIP;100nF,+80-20%,25V,Y5V,TP,	
PE1	2401-002165	C-AL;100uF,20%,16V,GP,TP,6.3x7,5	
PE2	2401-002165	C-AL;100uF,20%,16V,GP,TP,6.3x7,5	
PE3	2401-002165	C-AL;100uF,20%,16V,GP,TP,6.3x7,5	
PE4	2401-002165	C-AL;100uF,20%,16V,GP,TP,6.3x7,5	
RC1	2203-000189	C-CERAMIC,CHIP;100nF,+80-20%,25V,Y5V,TP,	
RC10	2203-000257	C-CERAMIC,CHIP;10nF,10%,50V,X7R,TP,1608,-	
RC11	2203-000189	C-CERAMIC,CHIP;100nF,+80-20%,25V,Y5V,TP,	
RC12	2203-000560	C-CERAMIC,CHIP;220nF,+80-20%,25V,Y5V,TP,	
RC13	2203-000560	C-CERAMIC,CHIP;220nF,+80-20%,25V,Y5V,TP,	
RC14	2203-000440	C-CERAMIC,CHIP;1nF,10%,50V,X7R,TP,1608,-	
RC15	2203-000189	C-CERAMIC,CHIP;100nF,+80-20%,25V,Y5V,TP,	
RC16	2203-000189	C-CERAMIC,CHIP;100nF,+80-20%,25V,Y5V,TP,	
RC17	2203-000189	C-CERAMIC,CHIP;100nF,+80-20%,25V,Y5V,TP,	
RC2	2203-000189	C-CERAMIC,CHIP;100nF,+80-20%,25V,Y5V,TP,	
RC20	2203-000189	C-CERAMIC,CHIP;100nF,+80-20%,25V,Y5V,TP,	
RC21	2203-000384	C-CERAMIC,CHIP;15pF,5%,50V,NPO,TP,1608,-	
RC22	2203-000189	C-CERAMIC,CHIP;100nF,+80-20%,25V,Y5V,TP,	
RC23	2203-000189	C-CERAMIC,CHIP;100nF,+80-20%,25V,Y5V,TP,	
RC24	2203-001697	C-CERAMIC,CHIP;.082NF,5%,50V,NPO,TP,1608	
RC25	2203-000189	C-CERAMIC,CHIP;100nF,+80-20%,25V,Y5V,TP,	
RC26	2203-000189	C-CERAMIC,CHIP;100nF,+80-20%,25V,Y5V,TP,	
RC27	2203-000189	C-CERAMIC,CHIP;100nF,+80-20%,25V,Y5V,TP,	
RC28	2203-001052	C-CERAMIC,CHIP;560pF,10%,50V,X7R,TP,1608	
RC29	2203-000189	C-CERAMIC,CHIP;100nF,+80-20%,25V,Y5V,TP,	
RC3	2203-000189	C-CERAMIC,CHIP;100nF,+80-20%,25V,Y5V,TP,	
RC31	2203-000189	C-CERAMIC,CHIP;100nF,+80-20%,25V,Y5V,TP,	
RC32	2203-000189	C-CERAMIC,CHIP;100nF,+80-20%,25V,Y5V,TP,	
RC33	2203-000189	C-CERAMIC,CHIP;100nF,+80-20%,25V,Y5V,TP,	
RC34	2203-000189	C-CERAMIC,CHIP;100nF,+80-20%,25V,Y5V,TP,	
RC35	2203-000236	C-CERAMIC,CHIP;100pF,5%,50V,NPO,TP,1608,	
RC36	2203-000140	C-CERAMIC,CHIP;1.5nF,10%,50V,X7R,TP,1608	
RC37	2203-000189	C-CERAMIC,CHIP;100nF,+80-20%,25V,Y5V,TP,	
RC38	2203-000189	C-CERAMIC,CHIP;100nF,+80-20%,25V,Y5V,TP,	
RC39	2203-000531	C-CERAMIC,CHIP;2.7nF,10%,50V,X7R,TP,1608	
RC4	2203-000236	C-CERAMIC,CHIP;100pF,5%,50V,NPO,TP,1608,	
RC40	2203-000257	C-CERAMIC,CHIP;10nF,10%,50V,X7R,TP,1608,	
RC41	2203-000189	C-CERAMIC,CHIP;100nF,+80-20%,25V,Y5V,TP,	
RC42	2203-000189	C-CERAMIC,CHIP;100nF,+80-20%,25V,Y5V,TP,	
RC43	2203-000189	C-CERAMIC,CHIP;100nF,+80-20%,25V,Y5V,TP,	
RC44	2203-000189	C-CERAMIC,CHIP;100nF,+80-20%,25V,Y5V,TP,	
RC45	2203-001652	C-CERAMIC,CHIP;470NF,+80-20%,16V,Y5V,TP,	
RC46	2203-000560	C-CERAMIC,CHIP;220nF,+80-20%,25V,Y5V,TP,	
RC47	2203-000189	C-CERAMIC,CHIP;100nF,+80-20%,25V,Y5V,TP,	
RC5	2203-000189	C-CERAMIC,CHIP;100nF,+80-20%,25V,Y5V,TP,	
RC50	2203-000189	C-CERAMIC,CHIP;100nF,+80-20%,25V,Y5V,TP,	
RC51	2203-000189	C-CERAMIC,CHIP;100nF,+80-20%,25V,Y5V,TP,	
RC52	2203-000189	C-CERAMIC,CHIP;100nF,+80-20%,25V,Y5V,TP,	
RC53	2203-000189	C-CERAMIC,CHIP;100nF,+80-20%,25V,Y5V,TP,	
RC54	2203-000189	C-CERAMIC,CHIP;100nF,+80-20%,25V,Y5V,TP,	
RC55	2203-000888	C-CERAMIC,CHIP;4.7nF,10%,50V,X7R,TP,1608	
RC6	2203-001052	C-CERAMIC,CHIP;560pF,10%,50V,X7R,TP,1608	
RC7	2203-001640	C-CERAMIC,CHIP;390pF,10%,50V,X7R,TP,1608	
RC8	2203-000384	C-CERAMIC,CHIP;15pF,5%,50V,NPO,TP,1608,-	
RC9	2203-000257	C-CERAMIC,CHIP;10nF,10%,50V,X7R,TP,1608,	
RD1	0401-000008	DIODE-SWITCHING;DAN217,80V,100mA,SOT-23,	
RD2	0403-001079	DIODE-ZENER;UDZ3.9B,7%,200MW,SOD-323,TP	

Loc.No	Part No	Description ; Specification	Remark
RD6	0407-000114	DIODE-ARRAY;DAN202K,80V,100mA,CA2-3,SOT-	
RD7	0407-000114	DIODE-ARRAY;DAN202K,80V,100mA,CA2-3,SOT-	
RE10	2401-002036	C-AL;1uF,20%,50V,GP,TP,5x11,2.5mm	
RE11	2401-000913	C-AL;22uF,20%,16V,GP,TP,5x11mm,2.5mm	
RE12	2401-002144	C-AL;47uF,20%,16V,GP,TP,5x11,5	
RE13	2401-000414	C-AL;10uF,20%,16V,GP,TP,4x7,5	
RE17	2401-002144	C-AL;47uF,20%,16V,GP,TP,5x11,5	
RE2	2401-000414	C-AL;10uF,20%,16V,GP,TP,4x7,5	
RE8	2401-000414	C-AL;10uF,20%,16V,GP,TP,4x7,5	
RE9	2401-002144	C-AL;47uF,20%,16V,GP,TP,5x11,5	
RIC1	AH13-10030M	IC-ASIC;.,KSI461,VQFP;100P,RF IC	
RIC2	0801-002279	IC-CMOS LOGIC;74VHC4053,MUX,SOP,16P,150M	
RIC3	1202-000121	IC-VOLTAGE COMP.;2903,SOP,8P,150MIL,DUAL	
RIC4	1201-000163	IC-OP AMP;4560,SOP,8P,150MIL,DUAL,100V/M	
RIC6	0801-002097	IC-CMOS LOGIC;7SET08,AND GATE,SOP,5P,110	
RL2	2703-000398	INDUCTOR-SMD;10UH,10%,3.2X2.5X2.2MM	
RL3	3301-000353	CORE-FERRITE BEAD;AB,2.0x1.25x0.9mm,-,-	
RL4	3301-000353	CORE-FERRITE BEAD;AB,2.0x1.25x0.9mm,-,-	
RQ1	0501-000279	TR-SMALL SIGNAL;KSA1182-Y,PNP,150mW,SOT-	
RQ2	0504-000128	TR-DIGITAL;.,NPN,200MW,22K/22K,SOT-23,TP	
RR1	2007-000091	R-CHIP;12Kohm,5%,1/16W,DA,TP,1608	
RR10	2007-001179	R-CHIP;8.2Kohm,5%,1/16W,DA,TP,1608	
RR11	2007-000509	R-CHIP;2.4Kohm,1%,1/16W,DA,TP,1608	
RR12	2007-000093	R-CHIP;20Kohm,5%,1/16W,DA,TP,1608	
RR13	2007-001179	R-CHIP;8.2Kohm,5%,1/16W,DA,TP,1608	
RR14	2007-000091	R-CHIP;12Kohm,5%,1/16W,DA,TP,1608	
RR15	2007-001179	R-CHIP;8.2Kohm,5%,1/16W,DA,TP,1608	
RR16	2007-000704	R-CHIP;3.6Kohm,5%,1/16W,DA,TP,1608	
RR17	2007-000092	R-CHIP;15Kohm,5%,1/16W,DA,TP,1608	
RR18	2007-000102	R-CHIP;100Kohm,5%,1/16W,DA,TP,1608	
RR19	2007-000102	R-CHIP;100Kohm,5%,1/16W,DA,TP,1608	
RR2	2007-000092	R-CHIP;15Kohm,5%,1/16W,DA,TP,1608	
RR20	2007-000084	R-CHIP;4.7Kohm,5%,1/16W,DA,TP,1608	
RR21	2007-000081	R-CHIP;2.7Kohm,5%,1/16W,DA,TP,1608	
RR22	2007-000102	R-CHIP;100Kohm,5%,1/16W,DA,TP,1608	
RR23	2007-000102	R-CHIP;100Kohm,5%,1/16W,DA,TP,1608	
RR24	2007-000078	R-CHIP;1Kohm,5%,1/16W,DA,TP,1608	
RR25	2007-000091	R-CHIP;12Kohm,5%,1/16W,DA,TP,1608	
RR26	2007-000090	R-CHIP;10Kohm,5%,1/16W,DA,TP,1608	
RR27	2007-000130	R-CHIP;39Kohm,5%,1/16W,DA,TP,1608	
RR28	2007-000078	R-CHIP;1Kohm,5%,1/16W,DA,TP,1608	
RR29	2007-000078	R-CHIP;1Kohm,5%,1/16W,DA,TP,1608	
RR3	2007-000091	R-CHIP;12Kohm,5%,1/16W,DA,TP,1608	
RR30	2007-000091	R-CHIP;12Kohm,5%,1/16W,DA,TP,1608	
RR31	2007-001179	R-CHIP;8.2Kohm,5%,1/16W,DA,TP,1608	
RR32	2007-000102	R-CHIP;100Kohm,5%,1/16W,DA,TP,1608	
RR32A	2007-000108	R-CHIP;510Kohm,5%,1/16W,DA,TP,1608	
RR33	2007-000082	R-CHIP;3.3Kohm,5%,1/16W,DA,TP,1608	
RR34	2007-000090	R-CHIP;10Kohm,5%,1/16W,DA,TP,1608	
RR35	2007-000092	R-CHIP;15Kohm,5%,1/16W,DA,TP,1608	
RR36	2007-000102	R-CHIP;100Kohm,5%,1/16W,DA,TP,1608	
RR37	2007-000102	R-CHIP;100Kohm,5%,1/16W,DA,TP,1608	
RR38	2007-000102	R-CHIP;100Kohm,5%,1/16W,DA,TP,1608	
RR39	2007-000102	R-CHIP;100Kohm,5%,1/16W,DA,TP,1608	
RR4	2007-000090	R-CHIP;10Kohm,5%,1/16W,DA,TP,1608	
RR40	2007-000129	R-CHIP;27Kohm,5%,1/16W,DA,TP,1608	
RR41	2007-000708	R-CHIP;3.9Kohm,1%,1/16W,DA,TP,1608	
RR42	2007-000090	R-CHIP;10Kohm,5%,1/16W,DA,TP,1608	
RR43	2007-000090	R-CHIP;10Kohm,5%,1/16W,DA,TP,1608	
RR44	2007-000090	R-CHIP;10Kohm,5%,1/16W,DA,TP,1608	
RR45	2007-000090	R-CHIP;10Kohm,5%,1/16W,DA,TP,1608	
RR46	2007-000084	R-CHIP;4.7Kohm,5%,1/16W,DA,TP,1608	
RR47	2007-000102	R-CHIP;100Kohm,5%,1/16W,DA,TP,1608	
RR48	2007-000102	R-CHIP;100Kohm,5%,1/16W,DA,TP,1608	
RR49	2007-000084	R-CHIP;4.7Kohm,5%,1/16W,DA,TP,1608	
RR5	2007-001056	R-CHIP;6.2Kohm,5%,1/16W,DA,TP,1608	

Loc.No	Part No	Description ; Specification	Remark	Loc.No	Part No	Description ; Specification	Remark
RR50	2007-000084	R-CHIP;4.7Kohm,5%,1/16W,DA,TP,1608		SR10	2007-000084	R-CHIP;4.7Kohm,5%,1/16W,DA,TP,1608	
RR51	2007-000134	R-CHIP;33Kohm,5%,1/16W,DA,TP,1608		SR11	2007-000107	R-CHIP;470Kohm,5%,1/16W,DA,TP,1608	
RR52	2007-000084	R-CHIP;4.7Kohm,5%,1/16W,DA,TP,1608		SR12	2007-001235	R-CHIP;910Kohm,5%,1/16W,DA,TP,1608	
RR53	2007-001179	R-CHIP;8.2Kohm,5%,1/16W,DA,TP,1608		SR13	2007-000070	R-CHIP;0ohm,5%,1/16W,DA,TP,1608	
RR56	2007-000084	R-CHIP;4.7Kohm,5%,1/16W,DA,TP,1608		SR14	2007-000450	R-CHIP;180ohm,5%,1/16W,DA,TP,1608	
RR57	2007-000088	R-CHIP;7.5Kohm,5%,1/16W,DA,TP,1608		SR15	2007-000102	R-CHIP;100Kohm,5%,1/16W,DA,TP,1608	
RR58	2007-000091	R-CHIP;12Kohm,5%,1/16W,DA,TP,1608		SR16	2007-000131	R-CHIP;91Kohm,5%,1/16W,DA,TP,1608	
RR59	2007-000082	R-CHIP;3.3Kohm,5%,1/16W,DA,TP,1608		SR17	2007-000093	R-CHIP;20Kohm,5%,1/16W,DA,TP,1608	
RR6	2007-000092	R-CHIP;15Kohm,5%,1/16W,DA,TP,1608		SR18	2007-000093	R-CHIP;20Kohm,5%,1/16W,DA,TP,1608	
RR62	2007-000084	R-CHIP;4.7Kohm,5%,1/16W,DA,TP,1608		SR19	2007-000092	R-CHIP;15Kohm,5%,1/16W,DA,TP,1608	
RR63	2007-000090	R-CHIP;10Kohm,5%,1/16W,DA,TP,1608		SR2	2007-000109	R-CHIP;1Mohm,5%,1/16W,DA,TP,1608	
RR65	2007-000082	R-CHIP;3.3Kohm,5%,1/16W,DA,TP,1608		SR20	2007-000092	R-CHIP;15Kohm,5%,1/16W,DA,TP,1608	
RR67	2007-000092	R-CHIP;15Kohm,5%,1/16W,DA,TP,1608		SR21	2007-000070	R-CHIP;0ohm,5%,1/16W,DA,TP,1608	
RR68	2007-000129	R-CHIP;27Kohm,5%,1/16W,DA,TP,1608		SR22	2007-000070	R-CHIP;0ohm,5%,1/16W,DA,TP,1608	
RR69	2007-000091	R-CHIP;12Kohm,5%,1/16W,DA,TP,1608		SR23	2007-000130	R-CHIP;39Kohm,5%,1/16W,DA,TP,1608	
RR69A	2007-000431	R-CHIP;16Kohm,5%,1/16W,DA,TP,1608		SR24	2007-000070	R-CHIP;0ohm,5%,1/16W,DA,TP,1608	
RR7	2007-000072	R-CHIP;47ohm,5%,1/16W,DA,TP,1608		SR26	2007-000091	R-CHIP;12Kohm,5%,1/16W,DA,TP,1608	
RR70	2007-000134	R-CHIP;33Kohm,5%,1/16W,DA,TP,1608		SR3	2007-000090	R-CHIP;10Kohm,5%,1/16W,DA,TP,1608	
RR71	2007-000070	R-CHIP;0ohm,5%,1/16W,DA,TP,1608		SR31	2007-000080	R-CHIP;2Kohm,5%,1/16W,DA,TP,1608	
RR8	2007-000077	R-CHIP;470ohm,5%,1/16W,DA,TP,1608		SR32	2007-000080	R-CHIP;2Kohm,5%,1/16W,DA,TP,1608	
RR9	2007-000783	R-CHIP;330HM,5%,1/8W,DA,TP,3216		SR33	2007-000080	R-CHIP;2Kohm,5%,1/16W,DA,TP,1608	
SC1	2203-000189	C-CERAMIC,CHIP;100nF,+80-20%,25V,Y5V,TP,		SR34	2007-000124	R-CHIP;2.2Kohm,5%,1/16W,DA,TP,1608	
SC10	2203-001222	C-CERAMIC,CHIP;820pF,10%,50V,X7R,TP,1608		SR35	2007-000124	R-CHIP;2.2Kohm,5%,1/16W,DA,TP,1608	
SC11	2203-000189	C-CERAMIC,CHIP;100nF,+80-20%,25V,Y5V,TP,		SR36	2007-000124	R-CHIP;2.2Kohm,5%,1/16W,DA,TP,1608	
SC14	2203-000491	C-CERAMIC,CHIP;2.2nF,10%,50V,X7R,TP,1608		SR37	2007-000124	R-CHIP;2.2Kohm,5%,1/16W,DA,TP,1608	
SC15	2203-000491	C-CERAMIC,CHIP;2.2nF,10%,50V,X7R,TP,1608		SR38	2007-000092	R-CHIP;15Kohm,5%,1/16W,DA,TP,1608	
SC16	2203-000189	C-CERAMIC,CHIP;100nF,+80-20%,25V,Y5V,TP,		SR39	2007-000458	R-CHIP;18Kohm,5%,1/16W,DA,TP,1608	
SC17	2203-000560	C-CERAMIC,CHIP;220nF,+80-20%,25V,Y5V,TP,		SR4	2007-001179	R-CHIP;8.2Kohm,5%,1/16W,DA,TP,1608	
SC18	2203-000189	C-CERAMIC,CHIP;100nF,+80-20%,25V,Y5V,TP,		SR40	2007-000090	R-CHIP;10Kohm,5%,1/16W,DA,TP,1608	
SC19	2203-000140	C-CERAMIC,CHIP;1.5nF,10%,50V,X7R,TP,1608		SR42	2007-000090	R-CHIP;10Kohm,5%,1/16W,DA,TP,1608	
SC2	2203-001573	C-CERAMIC,CHIP;12pF,5%,50V,CH,1608,1.6mm		SR44	2007-000078	R-CHIP;1Kohm,5%,1/16W,DA,TP,1608	
SC20	2203-000189	C-CERAMIC,CHIP;100nF,+80-20%,25V,Y5V,TP,		SR45	2007-000078	R-CHIP;1Kohm,5%,1/16W,DA,TP,1608	
SC21	2203-001567	C-CERAMIC,CHIP;10pF,0.5pF,50V,CH,1608,1.		SR46	2007-000078	R-CHIP;1Kohm,5%,1/16W,DA,TP,1608	
SC26	2203-002398	C-CERAMIC,CHIP;22nF,10%,50V,X7R,TP,1608,		SR47	2007-000078	R-CHIP;1Kohm,5%,1/16W,DA,TP,1608	
SC29	2203-000372	C-CERAMIC,CHIP;15nF,10%,50V,X7R,TP,1608,		SR48	2007-000109	R-CHIP;1Mohm,5%,1/16W,DA,TP,1608	
SC3	2203-001573	C-CERAMIC,CHIP;12pF,5%,50V,CH,1608,1.6mm		SR49	2007-000109	R-CHIP;1Mohm,5%,1/16W,DA,TP,1608	
SC30	2203-000372	C-CERAMIC,CHIP;15nF,10%,50V,X7R,TP,1608,		SR5	2007-000084	R-CHIP;4.7Kohm,5%,1/16W,DA,TP,1608	
SC31	2203-000491	C-CERAMIC,CHIP;2.2nF,10%,50V,X7R,TP,1608		SR50	2007-000082	R-CHIP;3.3Kohm,5%,1/16W,DA,TP,1608	
SC32	2203-000491	C-CERAMIC,CHIP;2.2nF,10%,50V,X7R,TP,1608		SR51	2007-000082	R-CHIP;3.3Kohm,5%,1/16W,DA,TP,1608	
SC33	2203-000560	C-CERAMIC,CHIP;220nF,+80-20%,25V,Y5V,TP,		SR52	2007-000704	R-CHIP;3.6Kohm,5%,1/16W,DA,TP,1608	
SC34	2203-000405	C-CERAMIC,CHIP;180pF,5%,50V,NPO,TP,1608,		SR53	2007-000123	R-CHIP;1.5Kohm,5%,1/16W,DA,TP,1608	
SC36	2203-000189	C-CERAMIC,CHIP;100nF,+80-20%,25V,Y5V,TP,		SR54	2007-000077	R-CHIP;470ohm,5%,1/16W,DA,TP,1608	
SC37	2203-000189	C-CERAMIC,CHIP;100nF,+80-20%,25V,Y5V,TP,		SR6	2007-000098	R-CHIP;56Kohm,5%,1/16W,DA,TP,1608	
SC38	2203-000189	C-CERAMIC,CHIP;100nF,+80-20%,25V,Y5V,TP,		SR7	2007-000799	R-CHIP;360ohm,5%,1/16W,DA,TP,1608	
SC39	2203-000189	C-CERAMIC,CHIP;100nF,+80-20%,25V,Y5V,TP,		SR8	2007-000070	R-CHIP;0ohm,5%,1/16W,DA,TP,1608	
SC4	2203-000189	C-CERAMIC,CHIP;100nF,+80-20%,25V,Y5V,TP,		SR9	2007-000084	R-CHIP;4.7Kohm,5%,1/16W,DA,TP,1608	
SC5	2203-000189	C-CERAMIC,CHIP;100nF,+80-20%,25V,Y5V,TP,		SY1	2801-000261	CRYSTAL-UNIT;33.8688MHZ,50PPM,28-AAA,12P	
SC6	2203-000189	C-CERAMIC,CHIP;100nF,+80-20%,25V,Y5V,TP,		VC1	2203-000189	C-CERAMIC,CHIP;100nF,+80-20%,25V,Y5V,TP,	
SC7	2203-000189	C-CERAMIC,CHIP;100nF,+80-20%,25V,Y5V,TP,		VC10	2203-000189	C-CERAMIC,CHIP;100nF,+80-20%,25V,Y5V,TP,	
SC9	2203-000560	C-CERAMIC,CHIP;220nF,+80-20%,25V,Y5V,TP,		VC11	2203-000189	C-CERAMIC,CHIP;100nF,+80-20%,25V,Y5V,TP,	
SD2	0407-000114	DIODE-ARRAY;DAN202K,80V,100mA,CA2-3,SOT-		VC12	2203-000189	C-CERAMIC,CHIP;100nF,+80-20%,25V,Y5V,TP,	
SD3	0407-000114	DIODE-ARRAY;DAN202K,80V,100mA,CA2-3,SOT-		VC13	2203-000189	C-CERAMIC,CHIP;100nF,+80-20%,25V,Y5V,TP,	
SE1	2401-002144	C-AL;47uF,20%,16V,GP,TP,5x11,5		VC14	2203-000189	C-CERAMIC,CHIP;100nF,+80-20%,25V,Y5V,TP,	
SE2	2401-002144	C-AL;47uF,20%,16V,GP,TP,5x11,5		VC15	2203-000189	C-CERAMIC,CHIP;100nF,+80-20%,25V,Y5V,TP,	
SE3	2401-002144	C-AL;47uF,20%,16V,GP,TP,5x11,5		VC16	2203-000189	C-CERAMIC,CHIP;100nF,+80-20%,25V,Y5V,TP,	
SE4	2401-000240	C-AL;100uF,20%,10V,GP,TP,5x11,5		VC17	2203-000189	C-CERAMIC,CHIP;100nF,+80-20%,25V,Y5V,TP,	
SE5	2401-000913	C-AL;22uF,20%,16V,GP,TP,5x11mm,2.5m		VC18	2203-000189	C-CERAMIC,CHIP;100nF,+80-20%,25V,Y5V,TP,	
SIC1	AH13-10030N	IC-ASIC,-,KS1452,QFP,80P,DSSP IC		VC19	2203-000189	C-CERAMIC,CHIP;100nF,+80-20%,25V,Y5V,TP,	
SIC2	0801-002097	IC-CMOS LOGIC;7SET08,AND GATE,SOP,5P,110		VC20	2203-000189	C-CERAMIC,CHIP;100nF,+80-20%,25V,Y5V,TP,	
SIC3	0801-002097	IC-CMOS LOGIC;7SET08,AND GATE,SOP,5P,110		VC21	2203-000189	C-CERAMIC,CHIP;100nF,+80-20%,25V,Y5V,TP,	
SIC8	1202-000121	IC-VOLTAGE COMP.;2903,SOP,8P;150MIL,DUAL		VC22	2203-000189	C-CERAMIC,CHIP;100nF,+80-20%,25V,Y5V,TP,	
SL2	3301-000353	CORE-FERRITE BEAD;AB,2.0x1.25x0.9mm,-,-		VC23	2203-000189	C-CERAMIC,CHIP;100nF,+80-20%,25V,Y5V,TP,	
SL3	3301-000353	CORE-FERRITE BEAD;AB,2.0x1.25x0.9mm,-,-		VC24	2203-000189	C-CERAMIC,CHIP;100nF,+80-20%,25V,Y5V,TP,	
SL4	3301-000353	CORE-FERRITE BEAD;AB,2.0x1.25x0.9mm,-,-		VC25	2203-000189	C-CERAMIC,CHIP;100nF,+80-20%,25V,Y5V,TP,	
SQ1	0504-000128	TR-DIGITAL,-,NPN,200MW,22K/22K,SOT-23,TP		VC26	2203-000189	C-CERAMIC,CHIP;100nF,+80-20%,25V,Y5V,TP,	
SR1	2007-000090	R-CHIP;10Kohm,5%,1/16W,DA,TP,1608		VC27	2203-000189	C-CERAMIC,CHIP;100nF,+80-20%,25V,Y5V,TP,	



Electrical Parts List

Loc.No	Part No	Description ; Specification	Remark	Loc.No	Part No	Description ; Specification	Remark
VC28	2203-000189	C-CERAMIC,CHIP;100nF,+80-20%,25V,Y5V,TP,		VL12	3301-000353	CORE-FERRITE BEAD;AB,2.0x1.25x0.9mm,-,-	
VC29	2203-000189	C-CERAMIC,CHIP;100nF,+80-20%,25V,Y5V,TP,		VL13	3301-000353	CORE-FERRITE BEAD;AB,2.0x1.25x0.9mm,-,-	
VC3	2203-000189	C-CERAMIC,CHIP;100nF,+80-20%,25V,Y5V,TP,		VL14	3301-000353	CORE-FERRITE BEAD;AB,2.0x1.25x0.9mm,-,-	
VC30	2203-000189	C-CERAMIC,CHIP;100nF,+80-20%,25V,Y5V,TP,		VL15	3301-000353	CORE-FERRITE BEAD;AB,2.0x1.25x0.9mm,-,-	
VC31	2203-000189	C-CERAMIC,CHIP;100nF,+80-20%,25V,Y5V,TP,		VL16	3301-000353	CORE-FERRITE BEAD;AB,2.0x1.25x0.9mm,-,-	
VC32	2203-000189	C-CERAMIC,CHIP;100nF,+80-20%,25V,Y5V,TP,		VL17	3301-000353	CORE-FERRITE BEAD;AB,2.0x1.25x0.9mm,-,-	
VC33	2203-000189	C-CERAMIC,CHIP;100nF,+80-20%,25V,Y5V,TP,		VL18	3301-000353	CORE-FERRITE BEAD;AB,2.0x1.25x0.9mm,-,-	
VC34	2203-000189	C-CERAMIC,CHIP;100nF,+80-20%,25V,Y5V,TP,		VL19	3301-000353	CORE-FERRITE BEAD;AB,2.0x1.25x0.9mm,-,-	
VC35	2203-000189	C-CERAMIC,CHIP;100nF,+80-20%,25V,Y5V,TP,		VL2	3301-000353	CORE-FERRITE BEAD;AB,2.0x1.25x0.9mm,-,-	
VC36	2203-000560	C-CERAMIC,CHIP;220nF,+80-20%,25V,Y5V,TP,		VL20	3301-000353	CORE-FERRITE BEAD;AB,2.0x1.25x0.9mm,-,-	
VC37	2203-000560	C-CERAMIC,CHIP;220nF,+80-20%,25V,Y5V,TP,		VL21	3301-000353	CORE-FERRITE BEAD;AB,2.0x1.25x0.9mm,-,-	
VC38	2203-000560	C-CERAMIC,CHIP;220nF,+80-20%,25V,Y5V,TP,		VL22	3301-000353	CORE-FERRITE BEAD;AB,2.0x1.25x0.9mm,-,-	
VC39	2203-000560	C-CERAMIC,CHIP;220nF,+80-20%,25V,Y5V,TP,		VL23	3301-000353	CORE-FERRITE BEAD;AB,2.0x1.25x0.9mm,-,-	
VC4	2203-000189	C-CERAMIC,CHIP;100nF,+80-20%,25V,Y5V,TP,		VL24	3301-000353	CORE-FERRITE BEAD;AB,2.0x1.25x0.9mm,-,-	
VC40	2203-000560	C-CERAMIC,CHIP;220nF,+80-20%,25V,Y5V,TP,		VL25	3301-000353	CORE-FERRITE BEAD;AB,2.0x1.25x0.9mm,-,-	
VC41	2203-000560	C-CERAMIC,CHIP;220nF,+80-20%,25V,Y5V,TP,		VL26	3301-000353	CORE-FERRITE BEAD;AB,2.0x1.25x0.9mm,-,-	
VC42	2203-000189	C-CERAMIC,CHIP;100nF,+80-20%,25V,Y5V,TP,		VL27	3301-000353	CORE-FERRITE BEAD;AB,2.0x1.25x0.9mm,-,-	
VC43	2203-000189	C-CERAMIC,CHIP;100nF,+80-20%,25V,Y5V,TP,		VL28	3301-000353	CORE-FERRITE BEAD;AB,2.0x1.25x0.9mm,-,-	
VC44	2203-000189	C-CERAMIC,CHIP;100nF,+80-20%,25V,Y5V,TP,		VL29	3301-000353	CORE-FERRITE BEAD;AB,2.0x1.25x0.9mm,-,-	
VC45	2203-000189	C-CERAMIC,CHIP;100nF,+80-20%,25V,Y5V,TP,		VL3	3301-000353	CORE-FERRITE BEAD;AB,2.0x1.25x0.9mm,-,-	
VC47	2203-000626	C-CERAMIC,CHIP;22pF,5%,50V,NPO,TP,1608,-		VL4	3301-000353	CORE-FERRITE BEAD;AB,2.0x1.25x0.9mm,-,-	
VC48	2203-000681	C-CERAMIC,CHIP;27pF,5%,50V,NPO,1608,-,TP		VL5	3301-000353	CORE-FERRITE BEAD;AB,2.0x1.25x0.9mm,-,-	
VC5	2203-000189	C-CERAMIC,CHIP;100nF,+80-20%,25V,Y5V,TP,		VL6	3301-000353	CORE-FERRITE BEAD;AB,2.0x1.25x0.9mm,-,-	
VC50	2203-000560	C-CERAMIC,CHIP;220nF,+80-20%,25V,Y5V,TP,		VR10	2007-000084	R-CHIP;4.7Kohm,5%,1/16W,DA,TP,1608	
VC51	2203-000560	C-CERAMIC,CHIP;220nF,+80-20%,25V,Y5V,TP,		VR100	2007-001134	R-CHIP;68ohm,5%,1/16W,DA,TP,1608	
VC52	2203-000560	C-CERAMIC,CHIP;220nF,+80-20%,25V,Y5V,TP,		VR101	2007-001134	R-CHIP;68ohm,5%,1/16W,DA,TP,1608	
VC53	2203-000560	C-CERAMIC,CHIP;220nF,+80-20%,25V,Y5V,TP,		VR102	2007-000113	R-CHIP;33ohm,5%,1/16W,DA,TP,1608	
VC54	2203-000560	C-CERAMIC,CHIP;220nF,+80-20%,25V,Y5V,TP,		VR103	2007-000113	R-CHIP;33ohm,5%,1/16W,DA,TP,1608	
VC55	2203-000560	C-CERAMIC,CHIP;220nF,+80-20%,25V,Y5V,TP,		VR104	2007-000113	R-CHIP;33ohm,5%,1/16W,DA,TP,1608	
VC6	2203-000189	C-CERAMIC,CHIP;100nF,+80-20%,25V,Y5V,TP,		VR2	2007-000084	R-CHIP;4.7Kohm,5%,1/16W,DA,TP,1608	
VC61	2203-001636	C-CERAMIC,CHIP;33pF,5%,50V,NPO,TP,1608,1		VR21	2007-000090	R-CHIP;10Kohm,5%,1/16W,DA,TP,1608	
VC62	2203-001636	C-CERAMIC,CHIP;33pF,5%,50V,NPO,TP,1608,1		VR22	2007-000090	R-CHIP;10Kohm,5%,1/16W,DA,TP,1608	
VC65	2203-001636	C-CERAMIC,CHIP;33pF,5%,50V,NPO,TP,1608,1		VR23	2007-000090	R-CHIP;10Kohm,5%,1/16W,DA,TP,1608	
VC66	2203-001636	C-CERAMIC,CHIP;33pF,5%,50V,NPO,TP,1608,1		VR24	2007-000090	R-CHIP;10Kohm,5%,1/16W,DA,TP,1608	
VC67	2203-001636	C-CERAMIC,CHIP;33pF,5%,50V,NPO,TP,1608,1		VR25	2007-000090	R-CHIP;10Kohm,5%,1/16W,DA,TP,1608	
VC68	2203-001636	C-CERAMIC,CHIP;33pF,5%,50V,NPO,TP,1608,1		VR26	2007-000090	R-CHIP;10Kohm,5%,1/16W,DA,TP,1608	
VC69	2203-000626	C-CERAMIC,CHIP;22pF,5%,50V,NPO,TP,1608,-		VR27	2007-000090	R-CHIP;10Kohm,5%,1/16W,DA,TP,1608	
VC7	2203-000189	C-CERAMIC,CHIP;100nF,+80-20%,25V,Y5V,TP,		VR28	2007-000090	R-CHIP;10Kohm,5%,1/16W,DA,TP,1608	
VC70	2203-000626	C-CERAMIC,CHIP;22pF,5%,50V,NPO,TP,1608,-		VR3	2007-000074	R-CHIP;100ohm,5%,1/16W,DA,TP,1608	
VC71	2203-000626	C-CERAMIC,CHIP;22pF,5%,50V,NPO,TP,1608,-		VR30	2007-000113	R-CHIP;33ohm,5%,1/16W,DA,TP,1608	
VC72	2203-000626	C-CERAMIC,CHIP;22pF,5%,50V,NPO,TP,1608,-		VR31	2007-000113	R-CHIP;33ohm,5%,1/16W,DA,TP,1608	
VC73	2203-000626	C-CERAMIC,CHIP;22pF,5%,50V,NPO,TP,1608,-		VR32	2007-000113	R-CHIP;33ohm,5%,1/16W,DA,TP,1608	
VC74	2203-000626	C-CERAMIC,CHIP;22pF,5%,50V,NPO,TP,1608,-		VR33	2007-000113	R-CHIP;33ohm,5%,1/16W,DA,TP,1608	
VC75	2203-000626	C-CERAMIC,CHIP;22pF,5%,50V,NPO,TP,1608,-		VR34	2007-000113	R-CHIP;33ohm,5%,1/16W,DA,TP,1608	
VC76	2203-000626	C-CERAMIC,CHIP;22pF,5%,50V,NPO,TP,1608,-		VR35	2007-000113	R-CHIP;33ohm,5%,1/16W,DA,TP,1608	
VC77	2203-000626	C-CERAMIC,CHIP;22pF,5%,50V,NPO,TP,1608,-		VR36	2007-000113	R-CHIP;33ohm,5%,1/16W,DA,TP,1608	
VC78	2203-000626	C-CERAMIC,CHIP;22pF,5%,50V,NPO,TP,1608,-		VR37	2007-000113	R-CHIP;33ohm,5%,1/16W,DA,TP,1608	
VC8	2203-000189	C-CERAMIC,CHIP;100nF,+80-20%,25V,Y5V,TP,		VR38	2007-000113	R-CHIP;33ohm,5%,1/16W,DA,TP,1608	
VC81	2203-000851	C-CERAMIC,CHIP;39pF,5%,50V,NPO,TP,1608,-		VR39	2007-000113	R-CHIP;33ohm,5%,1/16W,DA,TP,1608	
VC82	2203-000851	C-CERAMIC,CHIP;39pF,5%,50V,NPO,TP,1608,-		VR4	2007-000084	R-CHIP;4.7Kohm,5%,1/16W,DA,TP,1608	
VC83	2203-001071	C-CERAMIC,CHIP;56pF,5%,50V,NPO,TP,1608,-		VR40	2007-000113	R-CHIP;33ohm,5%,1/16W,DA,TP,1608	
VC84	2203-000236	C-CERAMIC,CHIP;100pF,5%,50V,NPO,TP,1608,		VR41	2007-000113	R-CHIP;33ohm,5%,1/16W,DA,TP,1608	
VC85	2203-000236	C-CERAMIC,CHIP;100pF,5%,50V,NPO,TP,1608,		VR42	2007-000074	R-CHIP;100ohm,5%,1/16W,DA,TP,1608	
VC9	2203-000189	C-CERAMIC,CHIP;100nF,+80-20%,25V,Y5V,TP,		VR43	2007-000074	R-CHIP;100ohm,5%,1/16W,DA,TP,1608	
VE1	2401-002165	C-AL;100uF,20%,16V,GP,TP,6.3x7,5		VR44	2007-000074	R-CHIP;100ohm,5%,1/16W,DA,TP,1608	
VE2	2401-002165	C-AL;100uF,20%,16V,GP,TP,6.3x7,5		VR45	2007-000074	R-CHIP;100ohm,5%,1/16W,DA,TP,1608	
VIC1	1204-001438	IC-DECODER;ZIVA-3,VQFP,208P,1098MIL,PLAS		VR46	2007-000074	R-CHIP;100ohm,5%,1/16W,DA,TP,1608	
VIC10	1105-001165	IC-SDRAM;416S1020,512Kx16BITx2,TSOP,50P	NTSC	VR47	2007-000074	R-CHIP;100ohm,5%,1/16W,DA,TP,1608	
VIC10	1105-001259	IC-DRAM;416S1020,16BIT,TSOP,50P,400MIL,8	PAL	VR48	2007-000074	R-CHIP;100ohm,5%,1/16W,DA,TP,1608	
VIC3	0801-002097	IC-CMOS LOGIC;7SET08,AND GATE,SOP,5P,110		VR49	2007-000074	R-CHIP;100ohm,5%,1/16W,DA,TP,1608	
VIC4	1105-001165	IC-SDRAM;416S1020,512Kx16BITx2,TSOP,50P	NTSC	VR50	2007-000074	R-CHIP;100ohm,5%,1/16W,DA,TP,1608	
VIC4	1105-001259	IC-DRAM;416S1020,16BIT,TSOP,50P,400MIL,8	PAL	VR51	2007-000074	R-CHIP;100ohm,5%,1/16W,DA,TP,1608	
VIC6	AH14-10004R	IC,M74HCU04,SOP,TAPE 14P		VR52	2007-000074	R-CHIP;100ohm,5%,1/16W,DA,TP,1608	
VL1	3301-000353	CORE-FERRITE BEAD;AB,2.0x1.25x0.9mm,-,-		VR54	2007-000074	R-CHIP;100ohm,5%,1/16W,DA,TP,1608	
VL10	2007-000029	R-CHIP;00HM,5%,1/10W,DA,TP,2012		VR55	2007-000074	R-CHIP;100ohm,5%,1/16W,DA,TP,1608	
VL11	3301-000353	CORE-FERRITE BEAD;AB,2.0x1.25x0.9mm,-,-		VR56	2007-000070	R-CHIP;0ohm,5%,1/16W,DA,TP,1608	

Loc.No	Part No	Description ; Specification	Remark	Loc.No	Part No	Description ; Specification	Remark
VR57	2007-000070	R-CHIP;0ohm,5%,1/16W,DA,TP,1608		<b>602</b>		<b>ASSY-PCB-JACK</b>	
VR58	2007-000075	R-CHIP;220ohm,5%,1/16W,DA,TP,1608		AC1	2203-000192	C-CERAMIC,CHIP;100nF,+80-20%,50V,Y5V,TP,	
VR59	2007-000075	R-CHIP;220ohm,5%,1/16W,DA,TP,1608		AC10	2203-000444	C-CERAMIC,CHIP;1nF,10%,50V,X7R,TP,2012,-	
VR60	2007-000075	R-CHIP;220ohm,5%,1/16W,DA,TP,1608		AC11	2202-000806	C-CERAMIC,MLC-AXIAL;220pF,10%,50V,Y5P,TP	
VR61	2007-000075	R-CHIP;220ohm,5%,1/16W,DA,TP,1608		AC12	2203-000595	C-CERAMIC,CHIP;220pF,5%,50V,NPO,TP,2012,	DVD-909 ONLY
VR62	2007-000075	R-CHIP;220ohm,5%,1/16W,DA,TP,1608		AC16	2203-000192	C-CERAMIC,CHIP;100nF,+80-20%,50V,Y5V,TP,	DVD-909 ONLY
VR63	2007-000075	R-CHIP;220ohm,5%,1/16W,DA,TP,1608		AC17	2203-000192	C-CERAMIC,CHIP;100nF,+80-20%,50V,Y5V,TP,	DVD-909 ONLY
VR64	2007-000075	R-CHIP;220ohm,5%,1/16W,DA,TP,1608		AC18	2202-002037	C-CERAMIC,MLC-AXIAL;100nF,80-20%,50V,	DVD-909 ONLY
VR65	2007-000075	R-CHIP;220ohm,5%,1/16W,DA,TP,1608		AC19	2203-000444	C-CERAMIC,CHIP;1nF,10%,50V,X7R,TP,2012,-	DVD-909 ONLY
VR66	2007-000074	R-CHIP;100ohm,5%,1/16W,DA,TP,1608		AC2	2203-000192	C-CERAMIC,CHIP;100nF,+80-20%,50V,Y5V,TP,	
VR67	2007-000074	R-CHIP;100ohm,5%,1/16W,DA,TP,1608		AC20	2203-000595	C-CERAMIC,CHIP;220pF,5%,50V,NPO,TP,2012,	DVD-909 ONLY
VR68	2007-000074	R-CHIP;100ohm,5%,1/16W,DA,TP,1608		AC21	2203-000595	C-CERAMIC,CHIP;220pF,5%,50V,NPO,TP,2012,	DVD-909 ONLY
VR69	2007-000074	R-CHIP;100ohm,5%,1/16W,DA,TP,1608		AC22	2203-000192	C-CERAMIC,CHIP;100nF,+80-20%,50V,Y5V,TP,	DVD-909 ONLY
VR7	2007-000116	R-CHIP;120ohm,5%,1/16W,DA,TP,1608		AC23	2203-000192	C-CERAMIC,CHIP;100nF,+80-20%,50V,Y5V,TP,	DVD-909 ONLY
VR70	2007-000074	R-CHIP;100ohm,5%,1/16W,DA,TP,1608		AC25	2203-000444	C-CERAMIC,CHIP;1nF,10%,50V,X7R,TP,2012,-	DVD-909 ONLY
VR71	2007-000074	R-CHIP;100ohm,5%,1/16W,DA,TP,1608		AC26	2202-000806	C-CERAMIC,MLC-AXIAL;220pF,10%,50V,Y5P,TP	DVD-909 ONLY
VR72	2007-000074	R-CHIP;100ohm,5%,1/16W,DA,TP,1608		AC27	2203-000595	C-CERAMIC,CHIP;220pF,5%,50V,NPO,TP,2012,	DVD-909 ONLY
VR73	2007-000074	R-CHIP;100ohm,5%,1/16W,DA,TP,1608		AC29	2203-000192	C-CERAMIC,CHIP;100nF,+80-20%,50V,Y5V,TP,	DVD-909 ONLY
VR74	2007-000074	R-CHIP;100ohm,5%,1/16W,DA,TP,1608		AC3	2202-002037	C-CERAMIC,MLC-AXIAL;100nF,80-20%,50V,Y5V	
VR75	2007-000074	R-CHIP;100ohm,5%,1/16W,DA,TP,1608		AC30	2203-000192	C-CERAMIC,CHIP;100nF,+80-20%,50V,Y5V,TP,	DVD-909 ONLY
VR76	2007-000074	R-CHIP;100ohm,5%,1/16W,DA,TP,1608		AC31	2202-002037	C-CERAMIC,MLC-AXIAL;100nF,80-20%,50V,Y5V	DVD-909 ONLY
VR77	2007-000074	R-CHIP;100ohm,5%,1/16W,DA,TP,1608		AC32	2203-000444	C-CERAMIC,CHIP;1nF,10%,50V,X7R,TP,2012,-	DVD-909 ONLY
VR78	2007-000074	R-CHIP;100ohm,5%,1/16W,DA,TP,1608		AC33	2203-000595	C-CERAMIC,CHIP;220pF,5%,50V,NPO,TP,2012,	DVD-909 ONLY
VR79	2007-000074	R-CHIP;100ohm,5%,1/16W,DA,TP,1608		AC34	2203-000595	C-CERAMIC,CHIP;220pF,5%,50V,NPO,TP,2012,	DVD-909 ONLY
VR80	2007-000074	R-CHIP;100ohm,5%,1/16W,DA,TP,1608		AC35	2203-000192	C-CERAMIC,CHIP;100nF,+80-20%,50V,Y5V,TP,	DVD-909 ONLY
VR81	2007-000074	R-CHIP;100ohm,5%,1/16W,DA,TP,1608		AC36	2203-000192	C-CERAMIC,CHIP;100nF,+80-20%,50V,Y5V,TP,	DVD-909 ONLY
VR82	2007-000402	R-CHIP;150ohm,5%,1/16W,DA,TP,1608		AC38	2203-000444	C-CERAMIC,CHIP;1nF,10%,50V,X7R,TP,2012,-	DVD-909 ONLY
VR83	2007-001134	R-CHIP;68ohm,5%,1/16W,DA,TP,1608		AC39	2202-000806	C-CERAMIC,MLC-AXIAL;220pF,10%,50V,Y5P,TP	DVD-909 ONLY
VR84	2007-001134	R-CHIP;68ohm,5%,1/16W,DA,TP,1608		AC4	2203-000444	C-CERAMIC,CHIP;1nF,10%,50V,X7R,TP,2012,-	DVD-909 ONLY
VR85	2007-001134	R-CHIP;68ohm,5%,1/16W,DA,TP,1608		AC40	2203-000595	C-CERAMIC,CHIP;220pF,5%,50V,NPO,TP,2012,	DVD-909 ONLY
VR86	2007-001134	R-CHIP;68ohm,5%,1/16W,DA,TP,1608		AC42	2203-000192	C-CERAMIC,CHIP;100nF,+80-20%,50V,Y5V,TP,	DVD-909 ONLY
VR87	2007-001134	R-CHIP;68ohm,5%,1/16W,DA,TP,1608		AC43	2203-000192	C-CERAMIC,CHIP;100nF,+80-20%,50V,Y5V,TP,	DVD-909 ONLY
VR88	2007-001134	R-CHIP;68ohm,5%,1/16W,DA,TP,1608		AC44	2203-000192	C-CERAMIC,CHIP;100nF,+80-20%,50V,Y5V,TP,	DVD-909 ONLY
VR89	2007-001134	R-CHIP;68ohm,5%,1/16W,DA,TP,1608		AC45	2203-000444	C-CERAMIC,CHIP;1nF,10%,50V,X7R,TP,2012,-	DVD-909 ONLY
VR9	2007-000109	R-CHIP;1Mohm,5%,1/16W,DA,TP,1608		AC46	2203-000595	C-CERAMIC,CHIP;220pF,5%,50V,NPO,TP,2012,	DVD-909 ONLY
VR90	2007-001134	R-CHIP;68ohm,5%,1/16W,DA,TP,1608		AC47	2203-000595	C-CERAMIC,CHIP;220pF,5%,50V,NPO,TP,2012,	DVD-909 ONLY
VR91	2007-001134	R-CHIP;68ohm,5%,1/16W,DA,TP,1608		AC48	2203-000192	C-CERAMIC,CHIP;100nF,+80-20%,50V,Y5V,TP,	DVD-909 ONLY
VR92	2007-001134	R-CHIP;68ohm,5%,1/16W,DA,TP,1608		AC49	2203-000192	C-CERAMIC,CHIP;100nF,+80-20%,50V,Y5V,TP,	DVD-909 ONLY
VR93	2007-001134	R-CHIP;68ohm,5%,1/16W,DA,TP,1608		AC5	2203-000595	C-CERAMIC,CHIP;220pF,5%,50V,NPO,TP,2012,	DVD-909 ONLY
VR94	2007-001134	R-CHIP;68ohm,5%,1/16W,DA,TP,1608		AC51	2203-000444	C-CERAMIC,CHIP;1nF,10%,50V,X7R,TP,2012,-	DVD-909 ONLY
VR95	2007-001134	R-CHIP;68ohm,5%,1/16W,DA,TP,1608		AC52	2202-000806	C-CERAMIC,MLC-AXIAL;220pF,10%,50V,Y5P,TP	DVD-909 ONLY
VR96	2007-001134	R-CHIP;68ohm,5%,1/16W,DA,TP,1608		AC53	2203-000595	C-CERAMIC,CHIP;220pF,5%,50V,NPO,TP,2012,	DVD-909 ONLY
VR97	2007-001134	R-CHIP;68ohm,5%,1/16W,DA,TP,1608		AC56	2203-000192	C-CERAMIC,CHIP;100nF,+80-20%,50V,Y5V,TP,	
VR98	2007-001134	R-CHIP;68ohm,5%,1/16W,DA,TP,1608		AC57	2203-000192	C-CERAMIC,CHIP;100nF,+80-20%,50V,Y5V,TP,	DVD-909 ONLY
VR99	2007-000070	R-CHIP;0ohm,5%,1/16W,DA,TP,1608		AC58	2203-000192	C-CERAMIC,CHIP;100nF,+80-20%,50V,Y5V,TP,	
YY1	2801-003554	CRYSTAL-UNIT;27MHz,10ppm,28-AAAM,12pF,40		AC59	2202-002037	C-CERAMIC,MLC-AXIAL;100nF,80-20%,50V,Y5V	
				AC6	2203-000595	C-CERAMIC,CHIP;220pF,5%,50V,NPO,TP,2012,	
				AC60	2202-002037	C-CERAMIC,MLC-AXIAL;100nF,80-20%,50V,Y5V	DVD-909 ONLY
				AC61	2202-002037	C-CERAMIC,MLC-AXIAL;100nF,80-20%,50V,Y5V	DVD-909 ONLY
				AC7	2203-000192	C-CERAMIC,CHIP;100nF,+80-20%,50V,Y5V,TP,	
				AC71	2203-000192	C-CERAMIC,CHIP;100nF,+80-20%,50V,Y5V,TP,	
				AC73	2301-000161	C-FILM,PEF;12nF,5%,50V,6.5X5.5X3.0X5,5mm	
				AC74	2301-000161	C-FILM,PEF;12nF,5%,50V,6.5X5.5X3.0X5,5mm	DVD-909 ONLY
				AC75	2301-000161	C-FILM,PEF;12nF,5%,50V,6.5X5.5X3.0X5,5mm	DVD-909 ONLY
				AC76	2301-000161	C-FILM,PEF;12nF,5%,50V,6.5X5.5X3.0X5,5mm	DVD-909 ONLY
				AC77	2301-000161	C-FILM,PEF;12nF,5%,50V,6.5X5.5X3.0X5,5mm	DVD-909 ONLY
				AC78	2301-000161	C-FILM,PEF;12nF,5%,50V,6.5X5.5X3.0X5,5mm	DVD-909 ONLY
				AC79	2301-000161	C-FILM,PEF;12nF,5%,50V,6.5X5.5X3.0X5,5mm	DVD-909 ONLY
				AC8	2203-000192	C-CERAMIC,CHIP;100nF,+80-20%,50V,Y5V,TP,	
				AC80	2301-000161	C-FILM,PEF;12nF,5%,50V,6.5X5.5X3.0X5,5mm	DVD-909 ONLY
				AC90	2202-000849	C-CERAMIC,MLC-AXIAL;18pF,5%,50V,CH,TP,3.	
				AC91	2202-000849	C-CERAMIC,MLC-AXIAL;18pF,5%,50V,CH,TP,3.	DVD-909 ONLY
				AC92	2202-000849	C-CERAMIC,MLC-AXIAL;18pF,5%,50V,CH,TP,3.	DVD-909 ONLY
				AC93	2202-000849	C-CERAMIC,MLC-AXIAL;18pF,5%,50V,CH,TP,3.	DVD-909 ONLY

Electrical Parts List

Loc.No	Part No	Description ; Specification	Remark	Loc.No	Part No	Description ; Specification	Remark
AC94	2202-000849	C-CERAMIC,MLC-AXIAL;18pF,5%,50V,CH,TP,3.		AL16	3301-000353	CORE-FERRITE BEAD;AB,2.0x1.25x0.9mm,-,-	DVD-909 ONLY
AC95	2202-000849	C-CERAMIC,MLC-AXIAL;18pF,5%,50V,CH,TP,3.		AL19	2901-001125	FILTER-EMI ON BOARD;50V,0.5A,-,220pF,7x7	
AC98	2203-000361	C-CERAMIC,CHIP;150pF,5%,50V,NPO,TP,2012.		AL2	3301-000353	CORE-FERRITE BEAD;AB,2.0x1.25x0.9mm,-,-	
AD1	0407-000114	DIODE-ARRAY;DAN202K,80V,100mA,CA2-3,SOT-		AL20	2901-001125	FILTER-EMI ON BOARD;50V,0.5A,-,220pF,7x7	DVD-909 ONLY
AD10	0407-000114	DIODE-ARRAY;DAN202K,80V,100mA,CA2-3	DVD-909 ONLY	AL21	3301-000353	CORE-FERRITE BEAD;AB,2.0x1.25x0.9mm,-,-	DVD-909 ONLY
AD12	0407-000114	DIODE-ARRAY;DAN202K,80V,100mA,CA2-3	DVD-909 ONLY	AL22	3301-000353	CORE-FERRITE BEAD;AB,2.0x1.25x0.9mm,-,-	DVD-909 ONLY
AD13	0407-000114	DIODE-ARRAY;DAN202K,80V,100mA,CA2-3,	DVD-909 ONLY	AL5	3301-000353	CORE-FERRITE BEAD;AB,2.0x1.25x0.9mm,-,-	
AD14	0407-000114	DIODE-ARRAY;DAN202K,80V,100mA,CA2-3,	DVD-909 ONLY	AL6	3301-000353	CORE-FERRITE BEAD;AB,2.0x1.25x0.9mm,-,-	
AD15	0407-000114	DIODE-ARRAY;DAN202K,80V,100mA,CA2-3,	DVD-909 ONLY	AL7	3301-000353	CORE-FERRITE BEAD;AB,2.0x1.25x0.9mm,-,-	DVD-909 ONLY
AD2	0407-000114	DIODE-ARRAY;DAN202K,80V,100mA,CA2-3,SOT-		AL8	3301-000353	CORE-FERRITE BEAD;AB,2.0x1.25x0.9mm,-,-	DVD-909 ONLY
AD3	0407-000116	DIODE-ARRAY;DAP202K,80V,100mA,CK2-3,	DVD-909 ONLY	AOP1	1201-000163	IC-OP AMP;4560,SOP,8P,150MIL,DUAL,100V/M	
AD4	0401-000101	DIODE-SWITCHING;1N4148,100V,200mA,DO-35,		AOP2	1201-000163	IC-OP AMP;4560,SOP,8P,150MIL,DUAL,100V/M	DVD-909 ONLY
AD5	0401-000101	DIODE-SWITCHING;1N4148,100V,200mA,DO-35,		AOP3	1201-000163	IC-OP AMP;4560,SOP,8P,150MIL,DUAL,100V/M	DVD-909 ONLY
AD6	0407-000114	DIODE-ARRAY;DAN202K,80V,100mA,CA2-3,SOT-		AOP4	1201-000163	IC-OP AMP;4560,SOP,8P,150MIL,DUAL,100V/M	DVD-909 ONLY
AD7	0407-000114	DIODE-ARRAY;DAN202K,80V,100mA,CA2-3,SOT-		AOP5	1201-000163	IC-OP AMP;4560,SOP,8P,150MIL,DUAL,100V/M	
AD8	0407-000114	DIODE-ARRAY;DAN202K,80V,100mA,CA2-3,	DVD-909 ONLY	AQ1	0501-000341	TR-SMALL SIGNAL;KSC1623-L,NPN,200mW,SOT-	
AD9	0407-000114	DIODE-ARRAY;DAN202K,80V,100mA,CA2-3,	DVD-909 ONLY	AQ10	0501-000341	TR-SMALL SIGNAL;KSC1623-L,NPN,200mW,	DVD-909 ONLY
AE1	2401-002042	C-AL;220uF,20%,10V,GP,TP,6.3x11,5		AQ11	0501-000341	TR-SMALL SIGNAL;KSC1623-L,NPN,200mW,	DVD-909 ONLY
AE10	2401-002144	C-AL;47uF,20%,16V,GP,TP,5x11,5		AQ12	0501-000341	TR-SMALL SIGNAL;KSC1623-L,NPN,200mW,	DVD-909 ONLY
AE11	2401-002144	C-AL;47uF,20%,16V,GP,TP,5x11,5		AQ13	0501-000341	TR-SMALL SIGNAL;KSC1623-L,NPN,200mW,	DVD-909 ONLY
AE12	2401-002042	C-AL;220uF,20%,10V,GP,TP,6.3x11,5	DVD-909 ONLY	AQ14	0501-000341	TR-SMALL SIGNAL;KSC1623-L,NPN,200mW,	DVD-909 ONLY
AE13	2401-002042	C-AL;220uF,20%,10V,GP,TP,6.3x11,5	DVD-909 ONLY	AQ15	0501-000341	TR-SMALL SIGNAL;KSC1623-L,NPN,200mW,	DVD-909 ONLY
AE14	2401-002042	C-AL;220uF,20%,10V,GP,TP,6.3x11,5	DVD-909 ONLY	AQ16	0501-000341	TR-SMALL SIGNAL;KSC1623-L,NPN,200mW,	DVD-909 ONLY
AE15	2401-002068	C-AL;33uF,20%,16V,GP,TP,5x11,5	DVD-909 ONLY	AQ17	0504-000118	TR-DIGITAL;KSR1003,NPN,300MW,22K/22K,TO-	
AE16	2401-002068	C-AL;33uF,20%,16V,GP,TP,5x11,5	DVD-909 ONLY	AQ18	0504-000118	TR-DIGITAL;KSR1003,NPN,300MW,22K/22K,TO-	
AE17	2401-000913	C-AL;22uF,20%,16V,GP,TP,5x11mm,2.5m	DVD-909 ONLY	AQ19	0504-001003	TR-DIGITAL;KSR2003,PNP,300MW,22K/22K,TO-	
AE18	2401-002068	C-AL;33uF,20%,16V,GP,TP,5x11,5	DVD-909 ONLY	AQ2	0501-000341	TR-SMALL SIGNAL;KSC1623-L,NPN,200mW,SOT-	
AE19	2401-002068	C-AL;33uF,20%,16V,GP,TP,5x11,5	DVD-909 ONLY	AQ20	0504-000156	TR-DIGITAL;DTA124EKA,PNP,200mW,22K-22K	
AE2	2401-002042	C-AL;220uF,20%,10V,GP,TP,6.3x11,5		AQ21	0504-000128	TR-DIGITAL;-NPN,200MW,22K/22K,SOT-23,TP	
AE20	2401-000913	C-AL;22uF,20%,16V,GP,TP,5x11mm,2.5m	DVD-909 ONLY	AQ22	0504-000156	TR-DIGITAL;DTA124EKA,PNP,200mW,22K-22K	
AE21	2401-002042	C-AL;220uF,20%,10V,GP,TP,6.3x11,5	DVD-909 ONLY	AQ23	0504-000128	TR-DIGITAL;-NPN,200MW,22K/22K,SOT-23,TP	DVD-909 ONLY
AE22	2401-002042	C-AL;220uF,20%,10V,GP,TP,6.3x11,5	DVD-909 ONLY	AQ24	0504-000156	TR-DIGITAL;DTA124EKA,PNP,200mW,22K-22K	DVD-909 ONLY
AE23	2401-002042	C-AL;220uF,20%,10V,GP,TP,6.3x11,5	DVD-909 ONLY	AQ25	0504-000128	TR-DIGITAL;-NPN,200MW,22K/22K,SOT-23,TP	DVD-909 ONLY
AE24	2401-002068	C-AL;33uF,20%,16V,GP,TP,5x11,5	DVD-909 ONLY	AQ26	0504-000156	TR-DIGITAL;DTA124EKA,PNP,200mW,22K-22K	DVD-909 ONLY
AE25	2401-002068	C-AL;33uF,20%,16V,GP,TP,5x11,5	DVD-909 ONLY	AQ27	0504-000128	TR-DIGITAL;-NPN,200MW,22K/22K,SOT-23,TP	DVD-909 ONLY
AE26	2401-000913	C-AL;22uF,20%,16V,GP,TP,5x11mm,2.5m	DVD-909 ONLY	AQ28	0504-000156	TR-DIGITAL;DTA124EKA,PNP,200mW,22K-22K	DVD-909 ONLY
AE27	2401-002068	C-AL;33uF,20%,16V,GP,TP,5x11,5	DVD-909 ONLY	AQ29	0504-000128	TR-DIGITAL;-NPN,200MW,22K/22K,SOT-23,TP	DVD-909 ONLY
AE28	2401-002068	C-AL;33uF,20%,16V,GP,TP,5x11,5	DVD-909 ONLY	AQ3	0501-000341	TR-SMALL SIGNAL;KSC1623-L,NPN,200mW,SOT-	
AE29	2401-000913	C-AL;22uF,20%,16V,GP,TP,5x11mm,2.5m	DVD-909 ONLY	AQ30	0504-000156	TR-DIGITAL;DTA124EKA,PNP,200mW,22K-22K	DVD-909 ONLY
AE3	2401-002042	C-AL;220uF,20%,10V,GP,TP,6.3x11,5		AQ31	0504-000128	TR-DIGITAL;-NPN,200MW,22K/22K,SOT-23,TP	DVD-909 ONLY
AE30	2401-000302	C-AL;100uF,20%,25V,GP,TP,6.3x11,5		AQ32	0504-000156	TR-DIGITAL;DTA124EKA,PNP,200mW,22K-22K	DVD-909 ONLY
AE31	2401-001969	C-AL;470uF,20%,25V,GP,TP,10x12.5,5		AQ33	0504-000128	TR-DIGITAL;-NPN,200MW,22K/22K,SOT-23,TP	
AE32	2401-002042	C-AL;220uF,20%,10V,GP,TP,6.3x11,5	DVD-909 ONLY	AQ4	0501-000341	TR-SMALL SIGNAL;KSC1623-L,NPN,200mW,SOT-	
AE33	2401-002042	C-AL;220uF,20%,10V,GP,TP,6.3x11,5	DVD-909 ONLY	AQ5	0501-000341	TR-SMALL SIGNAL;KSC1623-L,NPN,200mW,	DVD-909 ONLY
AE34	2401-002042	C-AL;220uF,20%,10V,GP,TP,6.3x11,5	DVD-909 ONLY	AQ6	0501-000341	TR-SMALL SIGNAL;KSC1623-L,NPN,200mW,	DVD-909 ONLY
AE35	2401-002068	C-AL;33uF,20%,16V,GP,TP,5x11,5	DVD-909 ONLY	AQ7	0501-000341	TR-SMALL SIGNAL;KSC1623-L,NPN,200mW,	DVD-909 ONLY
AE36	2401-002068	C-AL;33uF,20%,16V,GP,TP,5x11,5	DVD-909 ONLY	AQ8	0501-000341	TR-SMALL SIGNAL;KSC1623-L,NPN,200mW,	DVD-909 ONLY
AE37	2401-000913	C-AL;22uF,20%,16V,GP,TP,5x11mm,2.5m	DVD-909 ONLY	AQ9	0501-000341	TR-SMALL SIGNAL;KSC1623-L,NPN,200mW,	DVD-909 ONLY
AE38	2401-002068	C-AL;33uF,20%,16V,GP,TP,5x11,5	DVD-909 ONLY	AR1	2007-000290	R-CHIP;100OHM,5%,1/10W,DA,TP,2012	
AE39	2401-002068	C-AL;33uF,20%,16V,GP,TP,5x11,5	DVD-909 ONLY	AR10	2001-000878	R-CARBON;6.2KOHM,5%,1/8W,AA,TP,1.8X3.2MM	
AE4	2401-002068	C-AL;33uF,20%,16V,GP,TP,5x11,5		AR100	2007-001055	R-CHIP;6.2KOHM,5%,1/10W,DA,TP,2012	DVD-909 ONLY
AE40	2401-000913	C-AL;22uF,20%,16V,GP,TP,5x11mm,2.5m	DVD-909 ONLY	AR101	2001-000290	R-CARBON;10KOHM,5%,1/8W,AA,TP,1.8X3.	DVD-909 ONLY
AE5	2401-002068	C-AL;33uF,20%,16V,GP,TP,5x11,5		AR104	2001-000429	R-CARBON;1KOHM,5%,1/8W,AA,TP,1.8X3.	DVD-909 ONLY
AE6	2401-000913	C-AL;22uF,20%,16V,GP,TP,5x11mm,2.5m		AR106	2007-000766	R-CHIP;330OHM,5%,1/10W,DA,TP,2012	DVD-909 ONLY
AE7	2401-002068	C-AL;33uF,20%,16V,GP,TP,5x11,5		AR107	2001-000878	R-CARBON;6.2KOHM,5%,1/8W,AA,TP,1.8X3.	DVD-909 ONLY
AE8	2401-002068	C-AL;33uF,20%,16V,GP,TP,5x11,5		AR108	2001-000878	R-CARBON;6.2KOHM,5%,1/8W,AA,TP,1.8X3.	DVD-909 ONLY
AE9	2401-000913	C-AL;22uF,20%,16V,GP,TP,5x11mm,2.5m		AR109	2001-000331	R-CARBON;12KOHM,5%,1/8W,AA,TP,1.8X3.	DVD-909 ONLY
AIC1	1002-001129	IC-D/A CONVERTER;AK4324VF,24BIT,VSOP,24P		AR11	2001-000878	R-CARBON;6.2KOHM,5%,1/8W,AA,TP,1.8X3.2MM	
AIC2	1002-001129	IC-D/A CONVERTER;AK4324VF,24BIT,VSOP,24P	DVD-909 ONLY	AR110	2007-001055	R-CHIP;6.2KOHM,5%,1/10W,DA,TP,2012	DVD-909 ONLY
AIC3	1002-001129	IC-D/A CONVERTER;AK4324VF,24BIT,VSOP,24P	DVD-909 ONLY	AR111	2007-001055	R-CHIP;6.2KOHM,5%,1/10W,DA,TP,2012	DVD-909 ONLY
AIC4	1002-001129	IC-D/A CONVERTER;AK4324VF,24BIT,VSOP,24P	DVD-909 ONLY	AR112	2007-000355	R-CHIP;12KOHM,5%,1/10W,DA,TP,2012	DVD-909 ONLY
AIC5	AH14-10004R	IC;M74HCU04,SOP,TAPE 14P		AR113	2001-000290	R-CARBON;10KOHM,5%,1/8W,AA,TP,1.8X3.	DVD-909 ONLY
AL1	3301-000353	CORE-FERRITE BEAD;AB,2.0x1.25x0.9mm,-,-		AR116	2001-000429	R-CARBON;1KOHM,5%,1/8W,AA,TP,1.8X3.	DVD-909 ONLY
AL11	3301-000353	CORE-FERRITE BEAD;AB,2.0x1.25x0.9mm,-,-	DVD-909 ONLY	AR118	2007-000766	R-CHIP;330OHM,5%,1/10W,DA,TP,2012	DVD-909 ONLY
AL12	3301-000353	CORE-FERRITE BEAD;AB,2.0x1.25x0.9mm,-,-	DVD-909 ONLY	AR119	2007-000766	R-CHIP;330OHM,5%,1/10W,DA,TP,2012	
AL15	3301-000353	CORE-FERRITE BEAD;AB,2.0x1.25x0.9mm,-,-	DVD-909 ONLY	AR12	2007-001055	R-CHIP;6.2KOHM,5%,1/10W,DA,TP,2012	



Loc.No	Part No	Description ; Specification	Remark	Loc.No	Part No	Description ; Specification	Remark
AR121	2007-001247	R-CHIP;910HM,5%,1/10W,DA,TP,2012		AR66	2001-000003	R-CARBON;3300HM,5%,1/8W,AA,TP,1.8X3	DVD-909 ONLY
AR13	2007-001055	R-CHIP;6.2KOHM,5%,1/10W,DA,TP,2012		AR67	2001-000281	R-CARBON;1000HM,5%,1/8W,AA,TP,1.8X3	DVD-909 ONLY
AR130	2001-000281	R-CARBON;1000HM,5%,1/8W,AA,TP,1.8X3.2MM		AR68	2001-000429	R-CARBON;1KOHM,5%,1/8W,AA,TP,1.8X3	DVD-909 ONLY
AR131	2001-000281	R-CARBON;1000HM,5%,1/8W,AA,TP,1.8X3	DVD-909 ONLY	AR69	2001-000429	R-CARBON;1KOHM,5%,1/8W,AA,TP,1.8X3	DVD-909 ONLY
AR132	2001-000281	R-CARBON;1000HM,5%,1/8W,AA,TP,1.8X3	DVD-909 ONLY	AR70	2007-000766	R-CHIP;3300HM,5%,1/10W,DA,TP,2012	DVD-909 ONLY
AR133	2001-000281	R-CARBON;1000HM,5%,1/8W,AA,TP,1.8X3	DVD-909 ONLY	AR71	2001-000878	R-CARBON;6.2KOHM,5%,1/8W,AA,TP,1.8X3	DVD-909 ONLY
AR134	2001-000281	R-CARBON;1000HM,5%,1/8W,AA,TP,1.8X3.2MM		AR72	2001-000878	R-CARBON;6.2KOHM,5%,1/8W,AA,TP,1.8X3	DVD-909 ONLY
AR138	2007-000029	R-CHIP;00HM,5%,1/10W,DA,TP,2012		AR73	2001-000878	R-CARBON;6.2KOHM,5%,1/8W,AA,TP,1.8X3	DVD-909 ONLY
AR14	2007-001055	R-CHIP;6.2KOHM,5%,1/10W,DA,TP,2012		AR74	2007-001055	R-CHIP;6.2KOHM,5%,1/10W,DA,TP,2012	DVD-909 ONLY
AR15	2001-000290	R-CARBON;10KOHM,5%,1/8W,AA,TP,1.8X3.2MM		AR75	2007-001055	R-CHIP;6.2KOHM,5%,1/10W,DA,TP,2012	DVD-909 ONLY
AR150	2001-000429	R-CARBON;1KOHM,5%,1/8W,AA,TP,1.8X3.2MM		AR76	2007-001055	R-CHIP;6.2KOHM,5%,1/10W,DA,TP,2012	DVD-909 ONLY
AR151	2001-000429	R-CARBON;1KOHM,5%,1/8W,AA,TP,1.8X3.2MM		AR77	2007-000300	R-CHIP;10KOHM,5%,1/10W,DA,TP,2012	DVD-909 ONLY
AR152	2001-000429	R-CARBON;1KOHM,5%,1/8W,AA,TP,1.8X3	DVD-909 ONLY	AR78	2001-000003	R-CARBON;3300HM,5%,1/8W,AA,TP,1.8X3	DVD-909 ONLY
AR153	2001-000429	R-CARBON;1KOHM,5%,1/8W,AA,TP,1.8X3	DVD-909 ONLY	AR79	2001-000281	R-CARBON;1000HM,5%,1/8W,AA,TP,1.8X3	DVD-909 ONLY
AR154	2001-000429	R-CARBON;1KOHM,5%,1/8W,AA,TP,1.8X3	DVD-909 ONLY	AR8	2007-000308	R-CHIP;100HM,5%,1/10W,DA,TP,2012	
AR155	2001-000429	R-CARBON;1KOHM,5%,1/8W,AA,TP,1.8X3	DVD-909 ONLY	AR80	2001-000429	R-CARBON;1KOHM,5%,1/8W,AA,TP,1.8X3	DVD-909 ONLY
AR156	2001-000429	R-CARBON;1KOHM,5%,1/8W,AA,TP,1.8X3	DVD-909 ONLY	AR81	2001-000429	R-CARBON;1000HM,5%,1/8W,AA,TP,1.8X3	DVD-909 ONLY
AR18	2001-000429	R-CARBON;1KOHM,5%,1/8W,AA,TP,1.8X3.2MM		AR82	2007-000766	R-CHIP;3300HM,5%,1/10W,DA,TP,2012	DVD-909 ONLY
AR19	2001-000429	R-CARBON;1KOHM,5%,1/8W,AA,TP,1.8X3.2MM		AR83	2001-000003	R-CARBON;3300HM,5%,1/8W,AA,TP,1.8X3	DVD-909 ONLY
AR2	2001-000281	R-CARBON;1000HM,5%,1/8W,AA,TP,1.8X3	DVD-909 ONLY	AR84	2001-000281	R-CARBON;1000HM,5%,1/8W,AA,TP,1.8X3	DVD-909 ONLY
AR20	2001-000003	R-CARBON;3300HM,5%,1/8W,AA,TP,1.8X3.2MM		AR85	2001-000429	R-CARBON;1KOHM,5%,1/8W,AA,TP,1.8X3	DVD-909 ONLY
AR21	2001-000878	R-CARBON;6.2KOHM,5%,1/8W,AA,TP,1.8X3.2MM		AR86	2001-000003	R-CARBON;3300HM,5%,1/8W,AA,TP,1.8X3	DVD-909 ONLY
AR22	2001-000878	R-CARBON;6.2KOHM,5%,1/8W,AA,TP,1.8X3.2MM		AR87	2001-000281	R-CARBON;1000HM,5%,1/8W,AA,TP,1.8X3	DVD-909 ONLY
AR23	2001-000878	R-CARBON;6.2KOHM,5%,1/8W,AA,TP,1.8X3.2MM		AR88	2001-000429	R-CARBON;1KOHM,5%,1/8W,AA,TP,1.8X3	DVD-909 ONLY
AR24	2007-001055	R-CHIP;6.2KOHM,5%,1/10W,DA,TP,2012		AR89	2001-000003	R-CARBON;3300HM,5%,1/8W,AA,TP,1.8X3	DVD-909 ONLY
AR25	2007-001055	R-CHIP;6.2KOHM,5%,1/10W,DA,TP,2012		AR9	2001-000878	R-CARBON;6.2KOHM,5%,1/8W,AA,TP,1.8X3	DVD-909 ONLY
AR26	2007-001055	R-CHIP;6.2KOHM,5%,1/10W,DA,TP,2012		AR90	2001-000241	R-CARBON;1.5KOHM,5%,1/8W,AA,TP,1.8X3	
AR27	2007-000300	R-CHIP;10KOHM,5%,1/10W,DA,TP,2012		AR91	2001-000281	R-CARBON;1000HM,5%,1/8W,AA,TP,1.8X3	
AR28	2001-000003	R-CARBON;3300HM,5%,1/8W,AA,TP,1.8X3.2MM		AR92	2001-000281	R-CARBON;1000HM,5%,1/8W,AA,TP,1.8X3	
AR29	2001-000281	R-CARBON;1000HM,5%,1/8W,AA,TP,1.8X3.2MM		AR93	2001-000281	R-CARBON;1000HM,5%,1/8W,AA,TP,1.8X3	DVD-909 ONLY
AR30	2001-000429	R-CARBON;1KOHM,5%,1/8W,AA,TP,1.8X3.2MM		AR94	2007-000308	R-CHIP;100HM,5%,1/10W,DA,TP,2012	DVD-909 ONLY
AR31	2001-000429	R-CARBON;1KOHM,5%,1/8W,AA,TP,1.8X3.2MM		AR95	2001-000878	R-CARBON;6.2KOHM,5%,1/8W,AA,TP,1.8X3	DVD-909 ONLY
AR32	2007-000766	R-CHIP;3300HM,5%,1/10W,DA,TP,2012		AR96	2001-000878	R-CARBON;6.2KOHM,5%,1/8W,AA,TP,1.8X3	DVD-909 ONLY
AR33	2007-000308	R-CHIP;100HM,5%,1/10W,DA,TP,2012	DVD-909 ONLY	AR97	2001-000878	R-CARBON;6.2KOHM,5%,1/8W,AA,TP,1.8X3	DVD-909 ONLY
AR34	2001-000878	R-CARBON;6.2KOHM,5%,1/8W,AA,TP,1.8X3	DVD-909 ONLY	AR98	2007-001055	R-CHIP;6.2KOHM,5%,1/10W,DA,TP,2012	DVD-909 ONLY
AR35	2001-000878	R-CARBON;6.2KOHM,5%,1/8W,AA,TP,1.8X3	DVD-909 ONLY	AR99	2007-001055	R-CHIP;6.2KOHM,5%,1/10W,DA,TP,2012	DVD-909 ONLY
AR36	2001-000878	R-CARBON;6.2KOHM,5%,1/8W,AA,TP,1.8X3	DVD-909 ONLY	AVJ1	3722-001355	JACK-RCA;3P(4P),3.2MM,NI,GRN/RED/	DVD-909 NTSC ONLY
AR37	2007-001055	R-CHIP;6.2KOHM,5%,1/10W,DA,TP,2012	DVD-909 ONLY	AVJ2	3722-001353	JACK-RCA;6P,3.2MM,NI,YEL/WHT/RED,-	DVD-909 ONLY
AR38	2007-001055	R-CHIP;6.2KOHM,5%,1/10W,DA,TP,2012	DVD-909 ONLY	AVJ3	3722-001352	JACK-RCA;6P,3.2MM,NI,BLK/WHT/RED,-	DVD-909 ONLY
AR39	2007-001055	R-CHIP;6.2KOHM,5%,1/10W,DA,TP,2012	DVD-909 ONLY	AVJ4	3722-001053	JACK-RCA;1P,3.2mm,NI,BLK,-	
AR40	2007-000300	R-CHIP;10KOHM,5%,1/10W,DA,TP,2012	DVD-909 ONLY	AVJ5	3707-001005	CONNECTOR-OPTICAL;PLUG,SM,-,4.4/2.0MM	DVD-909 ONLY
AR41	2001-000003	R-CARBON;3300HM,5%,1/8W,AA,TP,1.8X3.2MM		AZD1	0403-000551	DIODE-ZENER;MTZ3.9B,3.9V,3.89-4.16V,500m	
AR42	2001-000281	R-CARBON;1000HM,5%,1/8W,AA,TP,1.8X3.2MM		CN11	3708-000277	CONNECTOR-FPC/FC/PIC;35P,1.25mm,ANGLE,SN	
AR43	2001-000429	R-CARBON;1KOHM,5%,1/8W,AA,TP,1.8X3	DVD-909 ONLY	CN12	AH39-00035A	LEAD CONNECTOR-ASSY;-5264-08,35023-08,8	
AR44	2001-000429	R-CARBON;1KOHM,5%,1/8W,AA,TP,1.8X3	DVD-909 ONLY	CN15	3711-000665	CONNECTOR-HEADER;BOX,12P,1R,2mm,ANGLE	DVD-909 ONLY
AR45	2007-000766	R-CHIP;3300HM,5%,1/10W,DA,TP,2012	DVD-909 ONLY	CN17	AH39-00037A	LEAD CONNECTOR-ASSY;-51004-06,35023-06	DVD-909 ONLY
AR46	2001-000878	R-CARBON;6.2KOHM,5%,1/8W,AA,TP,1.8X3	DVD-909 ONLY	CN18	3711-000967	CONNECTOR-HEADER;BOX,4P,1R,2mm,ANGLE,SN	
AR47	2001-000878	R-CARBON;6.2KOHM,5%,1/8W,AA,TP,1.8X3	DVD-909 ONLY	FC1	2202-002037	C-CERAMIC,MLC-AXIAL;100nF,80-20%,50V,Y5V	
AR48	2001-000878	R-CARBON;6.2KOHM,5%,1/8W,AA,TP,1.8X3	DVD-909 ONLY	FC10	2202-002037	C-CERAMIC,MLC-AXIAL;100nF,80-20%,50V,Y5V	
AR49	2007-001055	R-CHIP;6.2KOHM,5%,1/10W,DA,TP,2012	DVD-909 ONLY	FC14	2202-002037	C-CERAMIC,MLC-AXIAL;100nF,80-20%,50V,Y5V	
AR50	2007-001055	R-CHIP;6.2KOHM,5%,1/10W,DA,TP,2012	DVD-909 ONLY	FC15	2202-002037	C-CERAMIC,MLC-AXIAL;100nF,80-20%,50V,Y5V	
AR51	2007-001055	R-CHIP;6.2KOHM,5%,1/10W,DA,TP,2012	DVD-909 ONLY	FC16	2202-000173	C-CERAMIC,MLC-AXIAL;1nF,10%,50V,Y5P,TP,1	
AR52	2007-000300	R-CHIP;10KOHM,5%,1/10W,DA,TP,2012	DVD-909 ONLY	FC2	2203-000389	C-CERAMIC,CHIP;15pF,5%,50V,NPO,TP,2012,-	
AR53	2001-000003	R-CARBON;3300HM,5%,1/8W,AA,TP,1.8X3	DVD-909 ONLY	FC3	2203-000389	C-CERAMIC,CHIP;15pF,5%,50V,NPO,TP,2012,-	
AR54	2001-000281	R-CARBON;1000HM,5%,1/8W,AA,TP,1.8X3	DVD-909 ONLY	FC4	2202-002037	C-CERAMIC,MLC-AXIAL;100nF,80-20%,50V,Y5V	
AR55	2001-000429	R-CARBON;1KOHM,5%,1/8W,AA,TP,1.8X3	DVD-909 ONLY	FC6	2202-002037	C-CERAMIC,MLC-AXIAL;100nF,80-20%,50V,Y5V	
AR56	2001-000429	R-CARBON;1KOHM,5%,1/8W,AA,TP,1.8X3	DVD-909 ONLY	FD10	0401-000101	DIODE-SWITCHING;1N4148,100V,200mA,DO-35,	
AR57	2007-000766	R-CHIP;3300HM,5%,1/10W,DA,TP,2012	DVD-909 ONLY	FD6	0401-000101	DIODE-SWITCHING;1N4148,100V,200mA,DO-35,	
AR58	2007-000308	R-CHIP;100HM,5%,1/10W,DA,TP,2012	DVD-909 ONLY	FD7	0401-000101	DIODE-SWITCHING;1N4148,100V,200mA,DO-35,	
AR59	2001-000878	R-CARBON;6.2KOHM,5%,1/8W,AA,TP,1.8X3	DVD-909 ONLY	FD8	0401-000101	DIODE-SWITCHING;1N4148,100V,200mA,DO-35,	
AR60	2001-000878	R-CARBON;6.2KOHM,5%,1/8W,AA,TP,1.8X3	DVD-909 ONLY	FD9	0403-000551	DIODE-ZENER;MTZ3.9B,3.9V,3.89-4.16V,500m	
AR61	2001-000878	R-CARBON;6.2KOHM,5%,1/8W,AA,TP,1.8X3	DVD-909 ONLY	FE1	2401-000913	C-AL;22uF,20%,16V,GP,TP,5x11mm,2.5m	
AR62	2007-001055	R-CHIP;6.2KOHM,5%,1/10W,DA,TP,2012	DVD-909 ONLY	FE12	2401-000240	C-AL;100uF,20%,10V,GP,TP,5x11,5	
AR63	2007-001055	R-CHIP;6.2KOHM,5%,1/10W,DA,TP,2012	DVD-909 ONLY	FE13	2401-000240	C-AL;100uF,20%,10V,GP,TP,5x11,5	
AR64	2007-001055	R-CHIP;6.2KOHM,5%,1/10W,DA,TP,2012	DVD-909 ONLY	FE2	2401-002144	C-AL;47uF,20%,16V,GP,TP,5x11,5	
AR65	2007-000300	R-CHIP;10KOHM,5%,1/10W,DA,TP,2012	DVD-909 ONLY	FE5	2401-002144	C-AL;47uF,20%,16V,GP,TP,5x11,5	

Electrical Parts List

Loc.No	Part No	Description ; Specification	Remark	Loc.No	Part No	Description ; Specification	Remark
FE8	2401-002144	C-AL;47uF,20%,16V,GP,TP;5x11,5		JP230	2007-000033	R-CHIP;OOHM,5%,1/8W,DA,TP,3216	PAL ONLY
FIC1	AH09-00010A	IC-MICOM MASKING;LC866232,100PIN,QIP,FLT		JP231	2007-000033	R-CHIP;OOHM,5%,1/8W,DA,TP,3216	DVD-909 PAL ONLY
FIC2	1203-001252	IC-VOL. DETECTOR;7545,TO-92,3P,-,PLASTIC		JP232	2007-000033	R-CHIP;OOHM,5%,1/8W,DA,TP,3216	DVD-909 PAL ONLY
FIC3	0801-002166	IC-CMOS LOGIC;7SHU04,INVERTER,SSOP;5P,63		JP233	2007-000033	R-CHIP;OOHM,5%,1/8W,DA,TP,3216	DVD-909 PAL ONLY
FIC4	AH59-60010A	MODULE-REMOCON;-;GP1U281Q,38KHZ,940,MESH		JP236	2007-000033	R-CHIP;OOHM,5%,1/8W,DA,TP,3216	DVD-909 PAL ONLY
FL1	2701-000114	INDUCTOR-AXIAL;10uH,10%,2.5x3.4mm		JP238	2007-000033	R-CHIP;OOHM,5%,1/8W,DA,TP,3216	PAL ONLY
FL2	2701-000113	INDUCTOR-AXIAL;100uH,5%,2.5x3.4mm		JP239	2007-000033	R-CHIP;OOHM,5%,1/8W,DA,TP,3216	
FR1	2001-000273	R-CARBON;100KOHM,5%,1/8W,AA,TP,1.8X3.2MM		JP240	2007-000033	R-CHIP;OOHM,5%,1/8W,DA,TP,3216	
FR10	2001-000281	R-CARBON;100OHM,5%,1/8W,AA,TP,1.8X3.2MM		JP242	2007-000033	R-CHIP;OOHM,5%,1/8W,DA,TP,3216	
FR101	2001-000273	R-CARBON;100KOHM,5%,1/8W,AA,TP,1.8X3.2MM		JP246	2007-000033	R-CHIP;OOHM,5%,1/8W,DA,TP,3216	DVD-909 PAL ONLY
FR102	2001-000273	R-CARBON;100KOHM,5%,1/8W,AA,TP,1.8X3.2MM		JP312	2007-000033	R-CHIP;OOHM,5%,1/8W,DA,TP,3216	
FR103	2001-000273	R-CARBON;100KOHM,5%,1/8W,AA,TP,1.8X3.2MM		JP317	2007-000033	R-CHIP;OOHM,5%,1/8W,DA,TP,3216	
FR104	2001-000273	R-CARBON;100KOHM,5%,1/8W,AA,TP,1.8X3.2MM		JP324	2007-000033	R-CHIP;OOHM,5%,1/8W,DA,TP,3216	
FR105	2001-000273	R-CARBON;100KOHM,5%,1/8W,AA,TP,1.8X3.2MM		JP325	2007-000033	R-CHIP;OOHM,5%,1/8W,DA,TP,3216	
FR106	2001-000273	R-CARBON;100KOHM,5%,1/8W,AA,TP,1.8X3.2MM		JP97	2007-000033	R-CHIP;OOHM,5%,1/8W,DA,TP,3216	
FR11	2001-000281	R-CARBON;100OHM,5%,1/8W,AA,TP,1.8X3.2MM		PC01	2305-001021	C-FILM,MPEF;100nF,20%,275V,TP,17.5x7x13.	△
FR12	2001-000281	R-CARBON;100OHM,5%,1/8W,AA,TP,1.8X3.2MM		PC02	2305-001021	C-FILM,MPEF;100nF,20%,275V,TP,17.5x7x13.	△
FR13	2001-000281	R-CARBON;100OHM,5%,1/8W,AA,TP,1.8X3.2MM		PC04	2301-000140	C-FILM,PEF;10nF,10%,630V,BK,16.5X9.5X5.7	
FR16	2001-000027	R-CARBON;100OHM,5%,1/4W,AA,TP,2.4X6.4MM		PC05	2201-000129	C-CERAMIC,DISC;100pF,10%,1KV,Y5P,TP,6x5,	△
FR17	2001-000027	R-CARBON;100OHM,5%,1/4W,AA,TP,2.4X6.4MM		PC07	2301-000129	C-FILM,PEF;100nF,5%,50V,TP,10X9X4.3X5.5m	
FR18	2001-000449	R-CARBON;2.2KOHM,5%,1/8W,AA,TP,1.8X3.2MM		PC09	2301-000415	C-FILM,PEF;22nF,5%,50V,TP,6.5x10.5x4mm,5	
FR19	2001-000449	R-CARBON;2.2KOHM,5%,1/8W,AA,TP,1.8X3.2MM		PC10	2201-000916	C-CERAMIC,DISC;100pF,10%,400V,Y5U,TP,10x	△
FR20	2001-000449	R-CARBON;2.2KOHM,5%,1/8W,AA,TP,1.8X3.2MM		PC11	2201-000916	C-CERAMIC,DISC;100pF,10%,400V,Y5U,TP,10x	△
FR21	2001-000435	R-CARBON;1MOHM,5%,1/8W,AA,TP,1.8X3.2MM		PC12	2203-000575	C-CERAMIC,CHIP;220NF,10%,25V,X7R,TP,2012	
FR24	2001-000281	R-CARBON;100OHM,5%,1/8W,AA,TP,1.8X3.2MM		PC13	2203-000575	C-CERAMIC,CHIP;220NF,10%,25V,X7R,TP,2012	
FR25	2001-000780	R-CARBON;470OHM,5%,1/8W,AA,TP,1.8X3.2MM		PC14	2203-000575	C-CERAMIC,CHIP;220NF,10%,25V,X7R,TP,2012	
FR26	2001-000281	R-CARBON;100OHM,5%,1/8W,AA,TP,1.8X3.2MM		PC15	2203-000575	C-CERAMIC,CHIP;220NF,10%,25V,X7R,TP,2012	
FR31	2007-000282	R-CHIP;100KOHM,5%,1/10W,DA,TP,2012		PC44	2301-000129	C-FILM,PEF;100nF,5%,50V,TP,10X9X4.3X5.5m	
FR32	2007-000282	R-CHIP;100KOHM,5%,1/10W,DA,TP,2012		PCN01	3711-000178	CONNECTOR-HEADER;1WALL,2P,1R,3.96mm,STRA	NTSC
FR33	2007-000282	R-CHIP;100KOHM,5%,1/10W,DA,TP,2012		PCN01	3711-000190	CONNECTOR-HEADER;1WALL,2P,1R,7.92mm,STRA	PAL
FR34	2007-000282	R-CHIP;100KOHM,5%,1/10W,DA,TP,2012		PD01	0402-001009	DIODE-RECTIFIER;1SR139,600V,1A,MSR,TP	△
FR35	2007-000282	R-CHIP;100KOHM,5%,1/10W,DA,TP,2012		PD02	0402-001009	DIODE-RECTIFIER;1SR139,600V,1A,MSR,TP	△
FR36	2007-000282	R-CHIP;100KOHM,5%,1/10W,DA,TP,2012		PD03	0402-001009	DIODE-RECTIFIER;1SR139,600V,1A,MSR,TP	△
FR37	2007-000282	R-CHIP;100KOHM,5%,1/10W,DA,TP,2012		PD04	0402-001009	DIODE-RECTIFIER;1SR139,600V,1A,MSR,TP	△
FR43	2001-000793	R-CARBON;470OHM,5%,1/8W,AA,TP,1.8X3.2MM		PD11	0402-000378	DIODE-RECTIFIER;EG01C,1000V,500mA,DO-41	
FR44	2001-000429	R-CARBON;1KOHM,5%,1/8W,AA,TP,1.8X3.2MM		PD12	0402-001013	DIODE-RECTIFIER;1SR153-400,400V,800mA,DO	
FR45	2001-000429	R-CARBON;1KOHM,5%,1/8W,AA,TP,1.8X3.2MM		PD3	0402-001013	DIODE-RECTIFIER;1SR153-400,400V,800mA,DO	
FR46	2001-000273	R-CARBON;100KOHM,5%,1/8W,AA,TP,1.8X3.2MM		PD31	0402-001013	DIODE-RECTIFIER;1SR153-400,400V,800mA,DO	
FR5	2001-000325	R-CARBON;120OHM,5%,1/8W,AA,TP,1.8X3.2MM		PD32	0402-000430	DIODE-RECTIFIER;FML-G02S,200V,3.0A,TO-22	
FR53	2001-000273	R-CARBON;100KOHM,5%,1/8W,AA,TP,1.8X3.2MM	PAL ONLY	PD33	0402-001251	DIODE-RECTIFIER;FMG-22R,200V,10A,TO-220F	
FR54	2001-000273	R-CARBON;100KOHM,5%,1/8W,AA,TP,1.8X3.2MM	DVD-909 ONLY	PD34	0402-001013	DIODE-RECTIFIER;1SR153-400,400V,800mA,DO	
FR57	2001-000290	R-CARBON;10KOHM,5%,1/8W,AA,TP,1.8X3.2MM	NTSC ONLY	PD35	0402-001013	DIODE-RECTIFIER;1SR153-400,400V,800mA,DO	
FR58	2007-000029	R-CHIP;OOHM,5%,1/10W,DA,TP,2012		PD37	0402-000132	DIODE-RECTIFIER;1N4004,400V,1A,DO-41,TP	
FR59	2007-000029	R-CHIP;OOHM,5%,1/10W,DA,TP,2012		PD38	0402-000132	DIODE-RECTIFIER;1N4004,400V,1A,DO-41,TP	
FY1	2802-000108	RESONATOR-CERAMIC;12MHZ,0.5%,BK,10.0X5.0		PE10	2401-001353	C-AL;470uF,20%,10V,GP,TP,8x11.5,5	
HC01	2401-002299	C-AL;4.7uF,20%,50V,GP,TP;5x7,5	NTSC	PE11	2401-000302	C-AL;100uF,20%,25V,GP,TP,6.3x11,5	
HC01	2401-002075	C-AL;4.7uF,20%,50V,GP,TP;5x11,5	PAL	PE12	2401-000302	C-AL;100uF,20%,25V,GP,TP,6.3x11,5	
HC02	2401-002299	C-AL;4.7uF,20%,50V,GP,TP;5x7,5	NTSC	PE13	2401-000302	C-AL;100uF,20%,25V,GP,TP,6.3x11,5	
HC02	2401-002075	C-AL;4.7uF,20%,50V,GP,TP;5x11,5	PAL	PE3	2401-001682	C-AL;82uF,20%,400V,GP,BK,22x25,10mm	△
HR03	2001-000273	R-CARBON;100KOHM,5%,1/8W,AA,TP,1.8X3.2MM		PE31	2401-000302	C-AL;100uF,20%,25V,GP,TP,6.3x11,5	
HR04	2001-000273	R-CARBON;100KOHM,5%,1/8W,AA,TP,1.8X3.2MM		PE32	2401-001998	C-AL;1000uF,20%,25V,GP,TP,10x20,5mm	
JP203	2007-000033	R-CHIP;OOHM,5%,1/8W,DA,TP,3216		PE33	2401-001998	C-AL;1000uF,20%,25V,GP,TP,10x20,5mm	
JP204	2007-000033	R-CHIP;OOHM,5%,1/8W,DA,TP,3216	DVD-909 PAL ONLY	PE35	2401-000360	C-AL;100uF,20%,50V,GP,TP,8x11.5,5	
JP211	2007-000033	R-CHIP;OOHM,5%,1/8W,DA,TP,3216	DVD-909 ONLY	PE36	2401-001998	C-AL;1000uF,20%,25V,GP,TP,10x20,5mm	
JP213	2007-000033	R-CHIP;OOHM,5%,1/8W,DA,TP,3216		PE37	2401-001134	C-AL;330uF,20%,35V,WT,TP,10x16,5	
JP214	2007-000033	R-CHIP;OOHM,5%,1/8W,DA,TP,3216		PE38	2401-002144	C-AL;47uF,20%,16V,GP,TP;5x11,5	
JP215	2007-000033	R-CHIP;OOHM,5%,1/8W,DA,TP,3216		PE39	2401-001134	C-AL;330uF,20%,35V,WT,TP,10x16,5	
JP216	2007-000033	R-CHIP;OOHM,5%,1/8W,DA,TP,3216		PE4	2401-000302	C-AL;100uF,20%,25V,GP,TP,6.3x11,5	
JP217	2007-000033	R-CHIP;OOHM,5%,1/8W,DA,TP,3216		PE41	2401-002036	C-AL;1uF,20%,50V,GP,TP;5x11,2.5mm	
JP219	2007-000033	R-CHIP;OOHM,5%,1/8W,DA,TP,3216	DVD-909 PAL ONLY	PE42	2401-002144	C-AL;47uF,20%,16V,GP,TP;5x11,5	
JP220	2007-000033	R-CHIP;OOHM,5%,1/8W,DA,TP,3216		PE43	2401-002144	C-AL;47uF,20%,16V,GP,TP;5x11,5	
JP221	2007-000033	R-CHIP;OOHM,5%,1/8W,DA,TP,3216		PE44	2401-002036	C-AL;1uF,20%,50V,GP,TP;5x11,2.5mm	
JP224	2007-000033	R-CHIP;OOHM,5%,1/8W,DA,TP,3216		PE6	2401-001583	C-AL;47uF,20%,50V,WT,TP,6.3x11,5	
JP226	2007-000033	R-CHIP;OOHM,5%,1/8W,DA,TP,3216	PAL ONLY	PFOA	3601-000403	FUSE-FERRULE;250V,1.6A,SLOW-BLOW,GLASS,5	△ NTSC
JP228	2007-000033	R-CHIP;OOHM,5%,1/8W,DA,TP,3216		PFOA	3601-001123	FUSE-FERRULE;250V,1.6A,TIME-LAG,CERAMIC,	△ PAL
JP229	2007-000033	R-CHIP;OOHM,5%,1/8W,DA,TP,3216	DVD-909 PAL ONLY	PIC1	1203-001721	IC-PWM CONTROLLER;STR-G6153T,TO-220,5P,1	△



Loc.No	Part No	Description ; Specification	Remark	Loc.No	Part No	Description ; Specification	Remark
PIC2	0604-000186	PHOTO-COUPLER;TR,-,200mW,DIP-4,ST	△	SCE1	2401-002075	C-AL;4.7uF,20%,50V,GP,TP;5x11,5	DVD-909 PAL ONLY
PIC3	AC14-12006D	IC,KA431Z,TO-92,TAPING		SCE10	2401-000369	C-AL;100UF,20%,6.3V,GP,-,6.3X11,5	PAL ONLY
PIC4	1203-000122	IC-NEGA.FIXED REG.;7908,TO-220,3P,-,PLAS		SCE11	2401-000913	C-AL;22uF,20%,16V,GP,TP;5x11mm,2.5m	PAL ONLY
PIC5	1203-001697	IC-VOLTAGE REGULATOR;78R08,TO-220,4P,-,P		SCE12	2401-000369	C-AL;100UF,20%,6.3V,GP,-,6.3X11,5	PAL ONLY
PIC6	1203-001083	IC-VOLTAGE REGULATOR;3RF23,TO-202,4P,12.		SCE13	2401-000913	C-AL;22uF,20%,16V,GP,TP;5x11mm,2.5m	PAL ONLY
PL01	AC29-30050A	FILTER-LINE NOISE;-;400UH,-,250V,-	△	SCE14	2401-000369	C-AL;100UF,20%,6.3V,GP,-,6.3X11,5	PAL ONLY
PL02	AC27-92001Q	COIL-LINE FILTER;BSF-2120Z,25MH,-,-,-	△	SCE15	2401-000913	C-AL;22uF,20%,16V,GP,TP;5x11mm,2.5m	PAL ONLY
PL03	3301-000297	CORE-FERRITE BEAD;AA,3.6x1.2x5.7mm,1400,		SCE16	2401-002042	C-AL;220uF,20%,10V,GP,TP;6.3x11,5	PAL ONLY
PL11	3301-000297	CORE-FERRITE BEAD;AA,3.6x1.2x5.7mm,1400,		SCE17	2401-001353	C-AL;470uF,20%,10V,GP,TP;8x11,5.5	PAL ONLY
PQ1	0501-000398	TR-SMALL SIGNAL;KSC945,NPN,250mW,TO-92	NTSC ONLY	SCE2	2401-000913	C-AL;22uF,20%,16V,GP,TP;5x11mm,2.5m	DVD-909 PAL ONLY
PQ2	0501-000616	TR-SMALL SIGNAL;KSC2328A-Y,NPN,1W,TO-92L	NTSC ONLY	SCE3	2401-000369	C-AL;100UF,20%,6.3V,GP,-,6.3X11,5	DVD-909 PAL ONLY
PQ21	0504-000142	TR-DIGITAL;KSR2001,PNP,300MW,4.7K/4.7K,T		SCE4	2401-002075	C-AL;4.7uF,20%,50V,GP,TP;5x11,5	PAL ONLY
PQ22	0504-000118	TR-DIGITAL;KSR1003,NPN,300MW,22K/22K,TO-		SCE5	2401-000913	C-AL;22uF,20%,16V,GP,TP;5x11mm,2.5m	PAL ONLY
PQ23	0502-000298	TR-POWER;KSD73,NPN,30W,TO-220,-,120-240		SCE6	2401-000369	C-AL;100UF,20%,6.3V,GP,-,6.3X11,5	PAL ONLY
PQ24	0502-000298	TR-POWER;KSD73,NPN,30W,TO-220,-,120-240		SCE7	2401-002144	C-AL;47uF,20%,16V,GP,TP;5x11,5	PAL ONLY
PQ3	0504-000118	TR-DIGITAL;KSR1003,NPN,300MW,22K/22K,TO-	NTSC ONLY	SCE8	2401-002144	C-AL;47uF,20%,16V,GP,TP;5x11,5	PAL ONLY
PQ4	0504-000142	TR-DIGITAL;KSR2001,PNP,300MW,4.7K/4.7K,T	NTSC ONLY	SCE9	2401-002144	C-AL;47uF,20%,16V,GP,TP;5x11,5	PAL ONLY
PR10	2006-000262	R-CEMENT;2.7ohm,10%,2W,CB,ST,7.5x11x20.		SCIC1	AH14-10004T	IC-ANALOG M/PLEXER;MC14053BD,SOP,	DVD-909 PAL ONLY
PR11	2001-000073	R-CARBON;33KOHM,5%,1/4W,AA,TP,2.4X6.4MM		SCIC2	AH14-10004T	IC-ANALOG M/PLEXER;MC14053BD,SOP,	DVD-909 PAL ONLY
PR12	2001-000073	R-CARBON;33KOHM,5%,1/4W,AA,TP,2.4X6.4MM		SCIC3	AH14-10004T	IC-ANALOG M/PLEXER;MC14053BD,SOP,TAPE 16	PAL ONLY
PR13	2001-000073	R-CARBON;33KOHM,5%,1/4W,AA,TP,2.4X6.4MM		SCIC4	1201-001063	IC-OP AMP;2267,SOP,8P,300MIL,DUAL,6.7dB,	PAL ONLY
PR14	2001-000073	R-CARBON;33KOHM,5%,1/4W,AA,TP,2.4X6.4MM		SCIC5	AH14-10004T	IC-ANALOG M/PLEXER;MC14053BD,SOP,	DVD-909 PAL ONLY
PR15	2003-000273	R-METAL OXIDE;33Kohm,5%,2W,AA,TP,6x16mm		SCIC6	1201-001419	IC-VIDEO AMP;7660,SSOP,16P,173MIL,3.6DB,	PAL ONLY
PR16	2003-000273	R-METAL OXIDE;33Kohm,5%,2W,AA,TP,6x16mm		SCJ1	3722-001354	JACK-SCART;42P/2R,-,SN,BLK,-	PAL ONLY
PR17	2003-000148	R-METAL OXIDE;100OHM,5%,2W,AE,TP,6X16MM		SCL1	2701-000181	INDUCTOR-AXIAL;33UH,5%,2.4X3.4MM	PAL ONLY
PR18	2001-000666	R-CARBON;33OHM,5%,1/8W,AA,TP,1.8X3.2MM		SCL10	3301-000353	CORE-FERRITE BEAD;AB,2.0x1.25x0.9mm,-,-	PAL ONLY
PR2	2003-000148	R-METAL OXIDE;100OHM,5%,2W,AE,TP,6X16MM		SCL11	3301-000353	CORE-FERRITE BEAD;AB,2.0x1.25x0.9mm,-,-	PAL ONLY
PR20	2001-000429	R-CARBON;1KOHM,5%,1/8W,AA,TP,1.8X3.2MM		SCL2	2701-000181	INDUCTOR-AXIAL;33UH,5%,2.4X3.4MM	PAL ONLY
PR3	2001-000734	R-CARBON;4.7KOHM,5%,1/8W,AA,TP,1.8X3	NTSC ONLY	SCL3	2701-000181	INDUCTOR-AXIAL;33UH,5%,2.4X3.4MM	DVD-909 PAL ONLY
PR31	2001-000034	R-CARBON;220OHM,5%,1/4W,AA,TP,2.4X6.4MM		SCL4	2701-000181	INDUCTOR-AXIAL;33UH,5%,2.4X3.4MM	DVD-909 PAL ONLY
PR32	2001-000429	R-CARBON;1KOHM,5%,1/8W,AA,TP,1.8X3.2MM		SCQ1	0504-000128	TR-DIGITAL;-;NPN,200MW,22K/22K,SOT-23,TP	PAL ONLY
PR33	2001-000429	R-CARBON;1KOHM,5%,1/8W,AA,TP,1.8X3.2MM		SCQ10	0504-000156	TR-DIGITAL;DTA124EKA,PNP,200mW,22K	DVD-909 PAL ONLY
PR34	2001-000440	R-CARBON;1OHM,5%,1/8W,AA,TP,1.8X3.2MM		SCQ11	0504-000128	TR-DIGITAL;-;NPN,200MW,22K/22K,SOT-23,TP	PAL ONLY
PR35	2001-000362	R-CARBON;150OHM,5%,1/8W,AA,TP,1.8X3.2MM		SCQ12	0504-000156	TR-DIGITAL;DTA124EKA,PNP,200mW,22K-22K/DVD-909	PAL ONLY
PR36	2001-000221	R-CARBON;1.2KOHM,5%,1/8W,AA,TP,1.8X3.2MM		SCQ13	0504-000128	TR-DIGITAL;-;NPN,200MW,22K/22K,SOT-23	DVD-909 PAL ONLY
PR37	2001-000429	R-CARBON;1KOHM,5%,1/8W,AA,TP,1.8X3.2MM		SCQ14	0504-000156	TR-DIGITAL;DTA124EKA,PNP,200mW,22K	DVD-909 PAL ONLY
PR38	2004-000869	R-METAL;3Kohm,1%,1/8W,AA,TP,1.8x3.2mm		SCQ17	0501-000341	TR-SMALL SIGNAL;KSC1623-L,NPN,200mW,SOT-	PAL ONLY
PR39	2004-000459	R-METAL;2.2Kohm,1%,1/8W,AA,TP,1.8x3.2m		SCQ18	0501-000341	TR-SMALL SIGNAL;KSC1623-L,NPN,200mW,SOT-	PAL ONLY
PR4	2001-000429	R-CARBON;1KOHM,5%,1/8W,AA,TP,1.8X3	NTSC ONLY	SCQ19	0501-000341	TR-SMALL SIGNAL;KSC1623-L,NPN,200mW,SOT-	PAL ONLY
PR40	2003-000111	R-METAL OXIDE;0.47ohm,5%,1W,AD,TP,4.3x12		SCQ2	0504-000156	TR-DIGITAL;DTA124EKA,PNP,200mW,22K-22K	PAL ONLY
PR5	2001-000281	R-CARBON;100OHM,5%,1/8W,AA,TP,1.8X3	NTSC ONLY	SCQ3	0504-000128	TR-DIGITAL;-;NPN,200MW,22K/22K,SOT-23,TP	PAL ONLY
PR6	2001-000429	R-CARBON;1KOHM,5%,1/8W,AA,TP,1.8X3	NTSC ONLY	SCQ4	0504-000128	TR-DIGITAL;-;NPN,200MW,22K/22K,SOT-23,TP	PAL ONLY
PR7	2001-000429	R-CARBON;1KOHM,5%,1/8W,AA,TP,1.8X3.2MM	PAL ONLY	SCQ5	0501-000314	TR-SMALL SIGNAL;KSA812,PNP;150mW,SOT-23,	PAL ONLY
PT01	AH26-00008A	TRANS-SWITCHING;-;85V-240V,UL/CSA,EE2821	△	SCQ6	0501-000341	TR-SMALL SIGNAL;KSC1623-L,NPN,200mW,SOT-	PAL ONLY
PVA01	1405-000186	VARIOR;470V,4500A,17x12mm,TP	△	SCQ7	0501-000314	TR-SMALL SIGNAL;KSA812,PNP;150mW,SOT-23,	PAL ONLY
PZD31	0403-000717	DIODE-ZENER;DTZJ5.1B,5.1V,4.94-5.2V,500m		SCQ8	0504-000128	TR-DIGITAL;-;NPN,200MW,22K/22K,SOT-23,TP	PAL ONLY
RC12	2201-000812	C-CERAMIC,DISC;2.2nF,20%,400V,Y5U,BK,11x	△	SCQ9	0504-000128	TR-DIGITAL;-;NPN,200MW,22K/22K,SOT-23	DVD-909 PAL ONLY
RC13	2201-000812	C-CERAMIC,DISC;2.2nF,20%,400V,Y5U,BK,11x	△	SCR1	2001-000734	R-CARBON;4.7KOHM,5%,1/8W,AA,TP,1.8X3.2MM	PAL ONLY
RL03	3301-000297	CORE-FERRITE BEAD;AA,3.6x1.2x5.7mm,1400,		SCR10	2007-001118	R-CHIP;680OHM,5%,1/10W,DA,TP,2012	PAL ONLY
SCC1	2203-000192	C-CERAMIC,CHIP;100nF,+80-20%,50V,Y5V,	DVD-909 PAL ONLY	SCR11	2001-000281	R-CARBON;100OHM,5%,1/8W,AA,TP,1.8X3.2MM	PAL ONLY
SCC10	2203-000239	C-CERAMIC,CHIP;100pF,5%,50V,NPO,	DVD-909 PAL ONLY	SCR12	2001-000958	R-CARBON;750OHM,5%,1/8W,AA,TP,1.8X3.2MM	PAL ONLY
SCC11	2202-002037	C-CERAMIC,MLC-AXIAL;100nF,80-20%,50V,Y5V	PAL ONLY	SCR13	2001-000281	R-CARBON;100OHM,5%,1/8W,AA,TP,1.8X3.2MM	PAL ONLY
SCC12	2203-000192	C-CERAMIC,CHIP;100nF,+80-20%,50V,Y5V,TP,	PAL ONLY	SCR14	2001-000780	R-CARBON;470OHM,5%,1/8W,AA,TP,1.8X3.2MM	PAL ONLY
SCC13	2202-002037	C-CERAMIC,MLC-AXIAL;100nF,80-20%,50V,	DVD-909 PAL ONLY	SCR15	2001-000969	R-CARBON;750OHM,5%,1/8W,AA,TP,1.8X3.2MM	PAL ONLY
SCC14	2203-000192	C-CERAMIC,CHIP;100nF,+80-20%,50V,Y5V,TP,	PAL ONLY	SCR16	2001-000281	R-CARBON;100OHM,5%,1/8W,AA,TP,1.8X3.2MM	PAL ONLY
SCC2	2203-000192	C-CERAMIC,CHIP;100nF,+80-20%,50V,Y5V	DVD-909 PAL ONLY	SCR17	2001-000958	R-CARBON;750OHM,5%,1/8W,AA,TP,1.8X3.2MM	PAL ONLY
SCC3	2202-000121	C-CERAMIC,MLC-AXIAL;100pF,10%,50V,Y5P,TP	PAL ONLY	SCR18	2001-000969	R-CARBON;750OHM,5%,1/8W,AA,TP,1.8X3	DVD-909 PAL ONLY
SCC4	2202-000121	C-CERAMIC,MLC-AXIAL;100pF,10%,50V,Y5P,TP	PAL ONLY	SCR19	2001-000857	R-CARBON;560OHM,5%,1/8W,AA,TP,1.8X3	PAL ONLY
SCC5	2202-000121	C-CERAMIC,MLC-AXIAL;100pF,10%,50V,Y5P	DVD-909 PAL ONLY	SCR2	2007-000981	R-CHIP;5.6KOHM,5%,1/10W,DA,TP,2012	DVD-909 PAL ONLY
SCC6	2202-000121	C-CERAMIC,MLC-AXIAL;100pF,10%,50V,Y5P,	DVD-909 PAL ONLY	SCR20	2001-000857	R-CARBON;560OHM,5%,1/8W,AA,TP,1.8X3	PAL ONLY
SCC7	2203-000239	C-CERAMIC,CHIP;100pF,5%,50V,NPO,TP,	DVD-909 PAL ONLY	SCR21	2001-000857	R-CARBON;560OHM,5%,1/8W,AA,TP,1.8X3	DVD-909 PAL ONLY
SCC8	2203-000239	C-CERAMIC,CHIP;100pF,5%,50V,NPO,TP,	DVD-909 PAL ONLY	SCR22	2001-000857	R-CARBON;560OHM,5%,1/8W,AA,TP,1.8X3	DVD-909 PAL ONLY
SCC9	2203-000239	C-CERAMIC,CHIP;100pF,5%,50V,NPO,TP,	DVD-909 PAL ONLY	SCR23	2007-001201	R-CHIP;820OHM,5%,1/10W,DA,TP,2012	DVD-909 PAL ONLY
SCD1	0407-000114	DIODE-ARRAY;DAN202K,80V,100mA,CA2-	DVD-909 PAL ONLY	SCR24	2007-001201	R-CHIP;820OHM,5%,1/10W,DA,TP,2012	DVD-909 PAL ONLY
SCD2	0407-000114	DIODE-ARRAY;DAN202K,80V,100mA,CA2-3,SOT-	PAL ONLY	SCR25	2007-001166	R-CHIP;750OHM,5%,1/10W,DA,TP,2012	DVD-909 PAL ONLY
SCD3	0407-000114	DIODE-ARRAY;DAN202K,80V,100mA,CA2-3,SOT-	PAL ONLY	SCR26	2007-001201	R-CHIP;820OHM,5%,1/10W,DA,TP,2012	DVD-909 PAL ONLY

Electrical Parts List

Loc.No	Part No	Description ; Specification	Remark	Loc.No	Part No	Description ; Specification	Remark
SCR27	2007-001201	R-CHIP;820OHM,5%,1/10W,DA,TP,2012	DVD-909 PAL ONLY	VIC51	1201-001419	IC-VIDEO AMP;7660,SSOP,16P,173MIL,	DVD-909 NTSC ONLY
SCR28	2007-001166	R-CHIP;750OHM,5%,1/10W,DA,TP,2012	DVD-909 PAL ONLY	VIC52	1201-001419	IC-VIDEO AMP;7660,SSOP,16P,173MIL,3.6DB,	
SCR32	2007-001166	R-CHIP;750OHM,5%,1/10W,DA,TP,2012	DVD-909 PAL ONLY	VL100	3301-000353	CORE-FERRITE BEAD;AB,2.0x1.25x0.9mm,-,-	
SCR33	2007-001166	R-CHIP;750OHM,5%,1/10W,DA,TP,2012	DVD-909 PAL ONLY	VL110	3301-000297	CORE-FERRITE BEAD;AA,3.6x1.2x5.7mm,1400,	
SCR34	2007-001166	R-CHIP;750OHM,5%,1/10W,DA,TP,2012	DVD-909 PAL ONLY	VL111	3301-000297	CORE-FERRITE BEAD;AA,3.6x1.2x5.7mm,1400,	
SCR35	2007-001166	R-CHIP;750OHM,5%,1/10W,DA,TP,2012	PAL ONLY	VL112	3301-000353	CORE-FERRITE BEAD;AB,2.0x1.25x0.9mm,-,-	
SCR36	2007-001166	R-CHIP;750OHM,5%,1/10W,DA,TP,2012	PAL ONLY	VL113	2701-000138	INDUCTOR-AXIAL;18uH,5%,2.4x3.4mm	
SCR37	2001-000969	R-CARBON;750OHM,5%,1/8W,AA,TP,1.8X3.2MM	PAL ONLY	VL115	2701-000002	INDUCTOR-AXIAL;100uH,10%,4.2x9.8mm	
SCR4	2007-000981	R-CHIP;5.6KOHM,5%,1/10W,DA,TP,2012	PAL ONLY	VL116	2701-000002	INDUCTOR-AXIAL;100uH,10%,4.2x9.8mm	
SCR42	2001-000969	R-CARBON;750OHM,5%,1/8W,AA,TP,1.8X3.2MM	PAL ONLY	VL117	2701-000002	INDUCTOR-AXIAL;100uH,10%,4.2x9.8mm	PAL ONLY
SCR43	2007-000030	R-CHIP;560OHM,5%,1/10W,DA,TP,2012	PAL ONLY	VL118	2701-000002	INDUCTOR-AXIAL;100uH,10%,4.2x9.8mm	PAL ONLY
SCR44	2007-000468	R-CHIP;1KOHM,5%,1/10W,DA,TP,2012	PAL ONLY	VL119	3301-000353	CORE-FERRITE BEAD;AB,2.0x1.25x0.9mm,-,-	
SCR45	2007-000300	R-CHIP;10KOHM,5%,1/10W,DA,TP,2012	DVD-909 PAL ONLY	VR10	2001-000008	R-CARBON;15KOHM,5%,1/8W,AA,TP,1.8X3.2MM	
SCR46	2007-000300	R-CHIP;10KOHM,5%,1/10W,DA,TP,2012	PAL ONLY	VR100	2001-000281	R-CARBON;100OHM,5%,1/8W,AA,TP,1.8X3.2MM	
SCR5	2007-000686	R-CHIP;3.3KOHM,5%,1/10W,DA,TP,2012	PAL ONLY	VR108	2001-000969	R-CARBON;750OHM,5%,1/8W,AA,TP,1.8X3.2MM	
SCR50	2007-000774	R-CHIP;33KOHM,5%,1/10W,DA,TP,2012	PAL ONLY	VR109	2001-000666	R-CARBON;330OHM,5%,1/8W,AA,TP,1.8X3.2MM	
SCR51	2007-000774	R-CHIP;33KOHM,5%,1/10W,DA,TP,2012	PAL ONLY	VR11	2001-000008	R-CARBON;15KOHM,5%,1/8W,AA,TP,1.8X3.2MM	
SCR52	2007-000774	R-CHIP;33KOHM,5%,1/10W,DA,TP,2012	PAL ONLY	VR110	2001-000666	R-CARBON;330OHM,5%,1/8W,AA,TP,1.8X3.2MM	
SCR53	2007-000981	R-CHIP;5.6KOHM,5%,1/10W,DA,TP,2012	PAL ONLY	VR111	2001-000666	R-CARBON;330OHM,5%,1/8W,AA,TP,1.8X3.2MM	
SCR54	2007-000981	R-CHIP;5.6KOHM,5%,1/10W,DA,TP,2012	PAL ONLY	VR112	2001-000666	R-CARBON;330OHM,5%,1/8W,AA,TP,1.8X3.2MM	
SCR55	2007-000981	R-CHIP;5.6KOHM,5%,1/10W,DA,TP,2012	PAL ONLY	VR113	2001-000666	R-CARBON;330OHM,5%,1/8W,AA,TP,1.8X3.2MM	
SCR6	2007-000686	R-CHIP;3.3KOHM,5%,1/10W,DA,TP,2012	PAL ONLY	VR114	2001-000666	R-CARBON;330OHM,5%,1/8W,AA,TP,1.8X3.2MM	
SCR66	2007-000872	R-CHIP;4.7KOHM,5%,1/10W,DA,TP,2012	PAL ONLY	VR115	2001-000666	R-CARBON;330OHM,5%,1/8W,AA,TP,1.8X3.2MM	
SCR67	2007-000872	R-CHIP;4.7KOHM,5%,1/10W,DA,TP,2012	PAL ONLY	VR116	2001-000666	R-CARBON;330OHM,5%,1/8W,AA,TP,1.8X3.2MM	
SCR7	2007-000518	R-CHIP;2.7KOHM,5%,1/10W,DA,TP,2012	PAL ONLY	VR117	2001-000969	R-CARBON;750OHM,5%,1/8W,AA,TP,1.8X3.2MM	DVD-909 NTSC ONLY
SCR8	2007-000981	R-CHIP;5.6KOHM,5%,1/10W,DA,TP,2012	PAL ONLY	VR12	2001-000591	R-CARBON;3.3KOHM,5%,1/8W,AA,TP,1.8X3.2MM	
SCR9	2007-000686	R-CHIP;3.3KOHM,5%,1/10W,DA,TP,2012	PAL ONLY	VR121	2007-000572	R-CHIP;220OHM,5%,1/10W,DA,TP,2012	PAL ONLY
SVJ1	3722-001375	JACK-DIN;4P,-,NI,BLK,-		VR122	2001-000515	R-CARBON;220OHM,5%,1/8W,AA,TP,1.8X3.2MM	PAL ONLY
VC1	2203-000192	C-CERAMIC,CHIP;100nF,+80-20%,50V,Y5V,TP,		VR123	2001-000290	R-CARBON;10KOHM,5%,1/8W,AA,TP,1.8X3.2MM	PAL ONLY
VC10	2202-000849	C-CERAMIC,MLC-AXIAL;18pF,5%,50V,CH,TP,3.		VR125	2001-000290	R-CARBON;10KOHM,5%,1/8W,AA,TP,1.8X3.2MM	PAL ONLY
VC100	2203-000192	C-CERAMIC,CHIP;100nF,+80-20%,50V,Y5V,TP,		VR13	2001-000591	R-CARBON;3.3KOHM,5%,1/8W,AA,TP,1.8X3.2MM	
VC101	2203-000192	C-CERAMIC,CHIP;100nF,+80-20%,50V,Y5V,TP,		VR130	2001-000969	R-CARBON;750OHM,5%,1/8W,AA,TP,1.8X3.2MM	DVD-909 NTSC ONLY
VC102	2202-002037	C-CERAMIC,MLC-AXIAL;100nF,80-20%,50V,Y5V		VR131	2001-000780	R-CARBON;470OHM,5%,1/8W,AA,TP,1.8X3.2MM	PAL ONLY
VC103	2202-002037	C-CERAMIC,MLC-AXIAL;100nF,80-20%,50V,Y5V		VR132	2001-000780	R-CARBON;470OHM,5%,1/8W,AA,TP,1.8X3.2MM	
VC104	2202-002037	C-CERAMIC,MLC-AXIAL;100nF,80-20%,50V,Y5V		VR133	2001-000780	R-CARBON;470OHM,5%,1/8W,AA,TP,1.8X3.2MM	
VC105	2007-000029	R-CHIP;0OHM,5%,1/10W,DA,TP,2012	NTSC	VR14	2001-000591	R-CARBON;3.3KOHM,5%,1/8W,AA,TP,1.8X3.2MM	
VC105	2203-000192	C-CERAMIC,CHIP;100nF,+80-20%,50V,Y5V,TP,	PAL	VR146	2001-000969	R-CARBON;750OHM,5%,1/8W,AA,TP,1.8X3.2MM	DVD-909 NTSC ONLY
VC106	2203-000192	C-CERAMIC,CHIP;100nF,+80-20%,50V,Y5V,TP,	PAL ONLY	VR15	2001-000734	R-CARBON;4.7KOHM,5%,1/8W,AA,TP,1.8X3.2MM	
VC11	2202-000849	C-CERAMIC,MLC-AXIAL;18pF,5%,50V,CH,TP,3.		VR16	2001-000734	R-CARBON;4.7KOHM,5%,1/8W,AA,TP,1.8X3.2MM	
VC12	2202-000849	C-CERAMIC,MLC-AXIAL;18pF,5%,50V,CH,TP,3.		VR17	2001-000666	R-CARBON;330OHM,5%,1/8W,AA,TP,1.8X3.2MM	
VC13	2202-000849	C-CERAMIC,MLC-AXIAL;18pF,5%,50V,CH,TP,3.		VR175	2001-000969	R-CARBON;750OHM,5%,1/8W,AA,TP,1.8X3.2MM	
VC14	2202-000849	C-CERAMIC,MLC-AXIAL;18pF,5%,50V,CH,TP,3.		VR176	2001-000554	R-CARBON;270OHM,5%,1/8W,AA,TP,1.8X3.2MM	
VC2	2203-000192	C-CERAMIC,CHIP;100nF,+80-20%,50V,Y5V,TP,		VR177	2001-000780	R-CARBON;470OHM,5%,1/8W,AA,TP,1.8X3.2MM	
VC3	2203-000192	C-CERAMIC,CHIP;100nF,+80-20%,50V,Y5V,TP,		VR178	2001-000003	R-CARBON;330OHM,5%,1/8W,AA,TP,1.8X3.2MM	
VC4	2202-000849	C-CERAMIC,MLC-AXIAL;18pF,5%,50V,CH,TP,3.		VR18	2001-000666	R-CARBON;330OHM,5%,1/8W,AA,TP,1.8X3.2MM	
VC5	2202-000849	C-CERAMIC,MLC-AXIAL;18pF,5%,50V,CH,TP,3.		VR192	2001-000969	R-CARBON;750OHM,5%,1/8W,AA,TP,1.8X3.2MM	
VC6	2202-000849	C-CERAMIC,MLC-AXIAL;18pF,5%,50V,CH,TP,3.		VR193	2001-000969	R-CARBON;750OHM,5%,1/8W,AA,TP,1.8X3.2MM	DVD-909 ONLY
VC7	2202-000849	C-CERAMIC,MLC-AXIAL;18pF,5%,50V,CH,TP,3.		VR3	2001-000258	R-CARBON;1.8KOHM,5%,1/8W,AA,TP,1.8X3.2MM	PAL ONLY
VC8	2202-000849	C-CERAMIC,MLC-AXIAL;18pF,5%,50V,CH,TP,3.		VR4	2001-000221	R-CARBON;1.2KOHM,5%,1/8W,AA,TP,1.8X3.2MM	NTSC
VC9	2202-000849	C-CERAMIC,MLC-AXIAL;18pF,5%,50V,CH,TP,3.		VR4	2001-000258	R-CARBON;1.8KOHM,5%,1/8W,AA,TP,1.8X3.2MM	PAL
VE51	2401-002042	C-AL;220uF,20%,10V,GP,TP,6.3x11.5		VR5	2001-000221	R-CARBON;1.2KOHM,5%,1/8W,AA,TP,1.8X3.2MM	NTSC
VE54	2401-000369	C-AL;100uF,20%,6.3V,GP,-,6.3X11.5	DVD-909 NTSC ONLY	VR5	2001-000258	R-CARBON;1.8KOHM,5%,1/8W,AA,TP,1.8X3.2MM	PAL
VE55	2401-000913	C-AL;22uF,20%,16V,GP,TP,5x11mm,2.5m	DVD-909 NTSC ONLY	VR7	2001-000977	R-CARBON;8.2KOHM,5%,1/8W,AA,TP	DVD-909 NTSC ONLY
VE58	2401-000369	C-AL;100uF,20%,6.3V,GP,-,6.3X11.5	DVD-909 NTSC ONLY	VR8	2001-000977	R-CARBON;8.2KOHM,5%,1/8W,AA,TP	DVD-909 NTSC ONLY
VE58A	2401-000913	C-AL;22uF,20%,16V,GP,TP,5x11mm,2.5m	DVD-909 NTSC ONLY	VR9	2001-000008	R-CARBON;15KOHM,5%,1/8W,AA,TP,1.8X3.2MM	
VE60	2401-001353	C-AL;470uF,20%,10V,GP,TP,8x11.5.5		VSW1	3408-000277	SWITCH-SLIDE;50V,300mA,DP3T,-,KSA-2372	PAL ONLY
VE61	2401-000913	C-AL;22uF,20%,16V,GP,TP,5x11mm,2.5m					
VE66	2401-001353	C-AL;470uF,20%,10V,GP,TP,8x11.5.5					
VE67	2401-000913	C-AL;22uF,20%,16V,GP,TP,5x11mm,2.5m					
VE69	2401-001353	C-AL;470uF,20%,10V,GP,TP,8x11.5.5					
VE70	2401-002042	C-AL;220uF,20%,10V,GP,TP,6.3x11.5					
VE71	2401-002042	C-AL;220uF,20%,10V,GP,TP,6.3x11.5					
VE72	2401-002042	C-AL;220uF,20%,10V,GP,TP,6.3x11.5					
VE73	2401-002042	C-AL;220uF,20%,10V,GP,TP,6.3x11.5					
VFD1	AH07-00002A	VF-DISPLAY;SVV-08M,21SEG,25X100MM,DVD-90					
VIC50	1204-001366	IC-VIDEO ENCODER;SAA7128,QFP,44P,-,PLAST					

Loc.No	Part No	Description ; Specification	Remark
<b>701</b>		<b>ASSY-PCB-PHONE POWER;DVD-909</b>	
CON23	3711-001062	CONNECTOR-HEADER;BOX,6P,1R,2mm,STRAIGHT,	
CON23-A	AH39-00030A	LEAD CONNECTOR-ASSY,-,51004-04,35023-04,	
HP2	2001-000666	R-CARBON;330HM,5%,1/8W,AA,TP,1.8X3.2MM	
HPJ01	3722-000345	JACK-PHONE;3P,6.4mm,AG,BLK,-	
HR1	2001-000666	R-CARBON;330HM,5%,1/8W,AA,TP,1.8X3.2MM	
KC1	2202-002037	C-CERAMIC,MLC-AXIAL;100nF,80-20%,50V,Y5V	
KC2	2202-002037	C-CERAMIC,MLC-AXIAL;100nF,80-20%,50V,Y5V	
KCE10	2401-001226	C-AL;4.7uF,20%,16V,BP,TP,4x7,5mm	
KCE11	2401-001226	C-AL;4.7uF,20%,16V,BP,TP,4x7,5mm	
KCE8	2401-002009	C-AL;100uF,20%,16V,GP,TP,6.3x7,5	
KCE9	2401-002009	C-AL;100uF,20%,16V,GP,TP,6.3x7,5	
KD1	0601-001238	LED;ROUND,RED,3.1mm,697nm	
KOPO3	1201-000191	IC-OP AMP;4558,DIP,8P,300MIL,DUAL,20V/mV	
KR3	2001-000290	R-CARBON;10KOHM,5%,1/8W,AA,TP,1.8X3.2MM	
KR32	2001-000331	R-CARBON;12KOHM,5%,1/8W,AA,TP,1.8X3.2MM	
KR33	2001-000734	R-CARBON;4.7KOHM,5%,1/8W,AA,TP,1.8X3.2MM	
KR34	2001-000331	R-CARBON;12KOHM,5%,1/8W,AA,TP,1.8X3.2MM	
KR35	2001-000734	R-CARBON;4.7KOHM,5%,1/8W,AA,TP,1.8X3.2MM	
KR4	2001-000290	R-CARBON;10KOHM,5%,1/8W,AA,TP,1.8X3.2MM	
KSW1	3404-000160	SWITCH-TACT;12V,50mA,160gf+-50gf,6.55x7.	
KVR4	2101-001054	VR-ROTARY;10KOHM,20%,1/20W,SIDE	

Loc.No	Part No	Description ; Specification	Remark
<b>701</b>		<b>ASSY-PCB-POWER;DVD-709</b>	
CON24	AH39-00033A	LEAD CONNECTOR-ASSY,-,51004-04,35023-04,	
KD2	0601-001238	LED;ROUND,RED,3.1mm,697nm	
KSW2	3404-000165	SWITCH-TACT;12V,50mA,160gf+-50gf,6x6mm,S	

Loc.No	Part No	Description ; Specification	Remark
<b>702</b>		<b>ASSY-PCB-PLAY;DVD-909</b>	
CON21	AH39-00029A	LEAD CONNECTOR-ASSY,-,51004-12,35023-12,	
FSW1	3404-000165	SWITCH-TACT;12V,50mA,160gf+-50gf,6x6mm,S	
FSW2	3404-000165	SWITCH-TACT;12V,50mA,160gf+-50gf,6x6mm,S	
FSW3	3404-000165	SWITCH-TACT;12V,50mA,160gf+-50gf,6x6mm,S	
FSW4	3404-000165	SWITCH-TACT;12V,50mA,160gf+-50gf,6x6mm,S	
FSW7	3404-000165	SWITCH-TACT;12V,50mA,160gf+-50gf,6x6mm,S	
JOG01	AC21-12001A	JOG-SHUTTLE DIAL;-,-,-,SRGPPJ-012A	

Loc.No	Part No	Description ; Specification	Remark
<b>702</b>		<b>ASSY-PCB-PLAY;DVD-709</b>	
CON22	AH39-00028A	LEAD CONNECTOR-ASSY,-,51004-06,35023-06,	
FSW1	3404-000165	SWITCH-TACT;12V,50mA,160gf+-50gf,6x6mm,S	
FSW2	3404-000165	SWITCH-TACT;12V,50mA,160gf+-50gf,6x6mm,S	
FSW4	3404-000165	SWITCH-TACT;12V,50mA,160gf+-50gf,6x6mm,S	
FSW5	3404-000165	SWITCH-TACT;12V,50mA,160gf+-50gf,6x6mm,S	
FSW6	3404-000165	SWITCH-TACT;12V,50mA,160gf+-50gf,6x6mm,S	

Loc.No	Part No	Description ; Specification	Remark
<b>202</b>		<b>ASSY-PCB-DECK;DP-3</b>	
CN1	3708-001081	CONNECTOR-FPC/FC/PIC;11P,1mm,STRAIGHT,SN	
CN2	3708-001001	CONNECTOR-FPC/FC/PIC;20P,1mm,SMD-A,SN	
CN3	3711-000827	CONNECTOR-HEADER;BOX,2P,1R,2mm,STRAIGHT,	
CN4	3708-001108	CONNECTOR-FPC/FC/PIC;8P;1.0MM,ANGLE,SN	
CN5	3708-001084	CONNECTOR-FPC/FC/PIC;40P;1.25mm,ANGLE,SN	
DC1	2203-000208	C-CERAMIC,CHIP;100nF,10%,50V,X7R,TP,3216	
DC2	2203-000208	C-CERAMIC,CHIP;100nF,10%,50V,X7R,TP,3216	
DC3	2203-000208	C-CERAMIC,CHIP;100nF,10%,50V,X7R,TP,3216	
DC4	2203-000612	C-CERAMIC,CHIP;22nF,10%,50V,X7R,TP,3216,	
DE1	2404-000259	C-TA,CHIP;47uF,20%,6.3V,-,TP,6032,-	
DE2	2404-000259	C-TA,CHIP;47uF,20%,6.3V,-,TP,6032,-	
DJP1	2007-000033	R-CHIP;0OHM,5%,1/8W,DA,TP,3216	
DJP10	2007-000033	R-CHIP;0OHM,5%,1/8W,DA,TP,3216	
DJP11	2007-000033	R-CHIP;0OHM,5%,1/8W,DA,TP,3216	
DJP12	2007-000033	R-CHIP;0OHM,5%,1/8W,DA,TP,3216	
DJP13	2007-000033	R-CHIP;0OHM,5%,1/8W,DA,TP,3216	
DJP14	2007-000033	R-CHIP;0OHM,5%,1/8W,DA,TP,3216	
DJP15	2007-000033	R-CHIP;0OHM,5%,1/8W,DA,TP,3216	
DJP16	2007-000033	R-CHIP;0OHM,5%,1/8W,DA,TP,3216	
DJP17	2007-000033	R-CHIP;0OHM,5%,1/8W,DA,TP,3216	
DJP18	2007-000033	R-CHIP;0OHM,5%,1/8W,DA,TP,3216	
DJP19	2007-000033	R-CHIP;0OHM,5%,1/8W,DA,TP,3216	
DJP2	2007-000033	R-CHIP;0OHM,5%,1/8W,DA,TP,3216	
DJP20	2007-000033	R-CHIP;0OHM,5%,1/8W,DA,TP,3216	
DJP21	2007-000033	R-CHIP;0OHM,5%,1/8W,DA,TP,3216	
DJP22	2007-000033	R-CHIP;0OHM,5%,1/8W,DA,TP,3216	
DJP3	2007-000033	R-CHIP;0OHM,5%,1/8W,DA,TP,3216	
DJP4	2007-000033	R-CHIP;0OHM,5%,1/8W,DA,TP,3216	
DJP5	2007-000033	R-CHIP;0OHM,5%,1/8W,DA,TP,3216	
DJP6	2007-000033	R-CHIP;0OHM,5%,1/8W,DA,TP,3216	
DJP7	2007-000033	R-CHIP;0OHM,5%,1/8W,DA,TP,3216	
DJP8	2007-000033	R-CHIP;0OHM,5%,1/8W,DA,TP,3216	
DJP9	2007-000033	R-CHIP;0OHM,5%,1/8W,DA,TP,3216	
DL1	3301-000325	CORE-FERRITE BEAD;AB,3.2x2.5x1.3mm,-,-	
DLED	0601-001372	LED;ROUND,GRN,3.5MM,621NM	
DR1	2007-000800	R-CHIP;360ohm,5%,1/8W,DA,TP,3216	
DR2	2007-000451	R-CHIP;180OHM,5%,1/8W,DA,TP,3216	
DR3	2007-000451	R-CHIP;180OHM,5%,1/8W,DA,TP,3216	
DR4	2007-000303	R-CHIP;10KOHM,5%,1/8W,DA,TP,3216	
DR5	2007-000303	R-CHIP;10KOHM,5%,1/8W,DA,TP,3216	
SW1	AH34-30001A	SWITCH-PUSH;2EA,6.65X7.5,-,DC5V	
SW2	3403-001001	SWITCH-PUSH;5V,5mA,-,OFF-ON	
SW3	3408-000323	SWITCH-SLIDE;SSSS712GD011/12VDC 100ma	