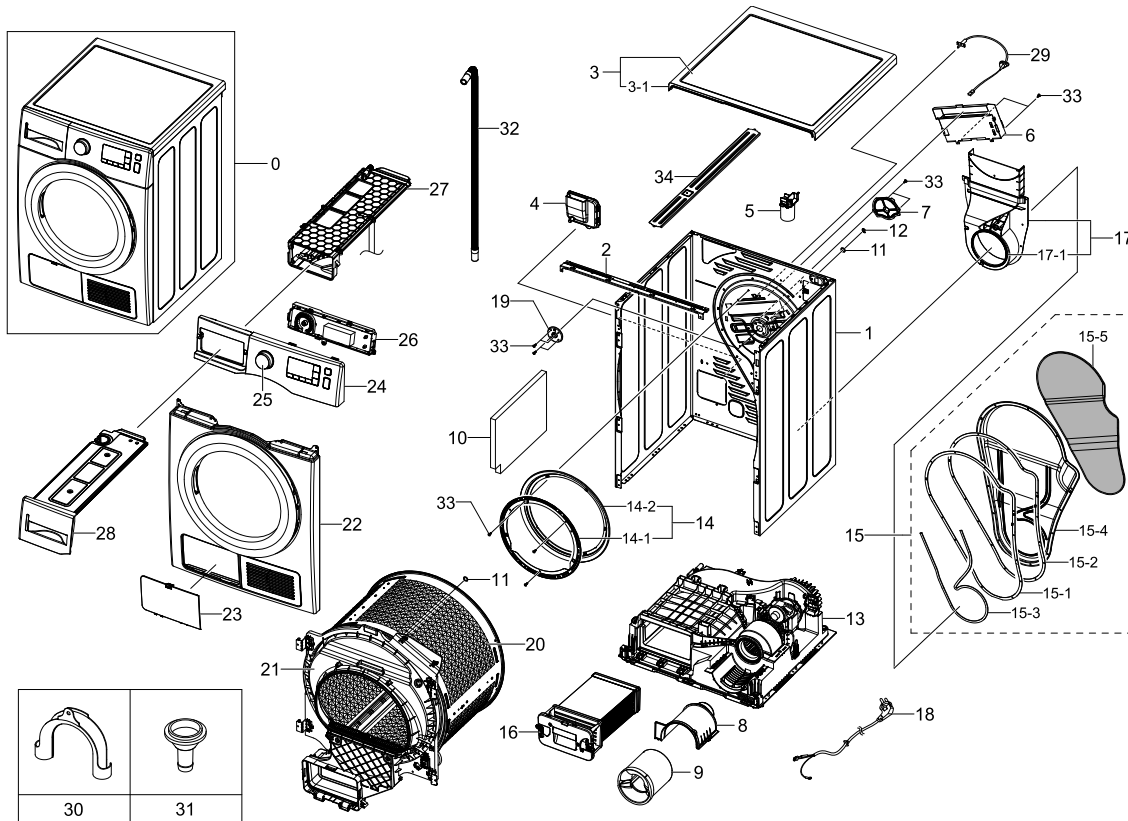


1. Main

Exploded View



Parts List

| No. | Lvl. | Loc. | Material Code | Description & Specification | SNA | Qty. |
|-----|------|--------|---------------|---|-----|------|
| 1 | 2 | WF0067 | DC61-02489A | FRAME; SDC18809,GI-SGCC,-,DA WHITE,T0.7,W | SNA | 1 |
| 2 | 2 | WF0008 | DC97-17883A | ASSY FRAME PLATE(U); DV-F500E,DV90F5E6HGW | SNA | 1 |
| 3 | 2 | WF0003 | DC97-17446D | ASSY COVER TOP; DV4000H,DV80H4100CW,DA-WH | SA | 1 |
| 3-1 | 3 | | DC63-01606A | COVER TOP; DV90F5E6HGW,ABS,T3.5,-,DA WHIT | SA | 1 |
| 4 | 2 | WI0383 | DC61-02609A | GUIDE HOSE DRAIN; SDC18809,PP,T2.0,W116.7 | SA | 1 |
| 5 | 2 | WY0003 | DC93-00157A | ASSY CONDENSER; 450VAC 8MFD,SDC18809 | SA | 1 |
| 6 | 2 | | DC47-00030F | HEATER DRY; AC230V,2500W,CrAl,NON,- | SA | 1 |
| 7 | 2 | WS0141 | DC63-01263A | COVER BEARING; SDC18809,EGI-SECC,T0.8,W10 | SA | 1 |
| 8 | 2 | WI0388 | DC63-01089A | COVER-FAN(C/F); SDC18809,PP,W174,L162,NTR | SA | 1 |
| 9 | 2 | WA0001 | DC63-01105A | ABSORBER-SOUND; SDC18809,PU-FOAM,T30,H145 | SA | 1 |

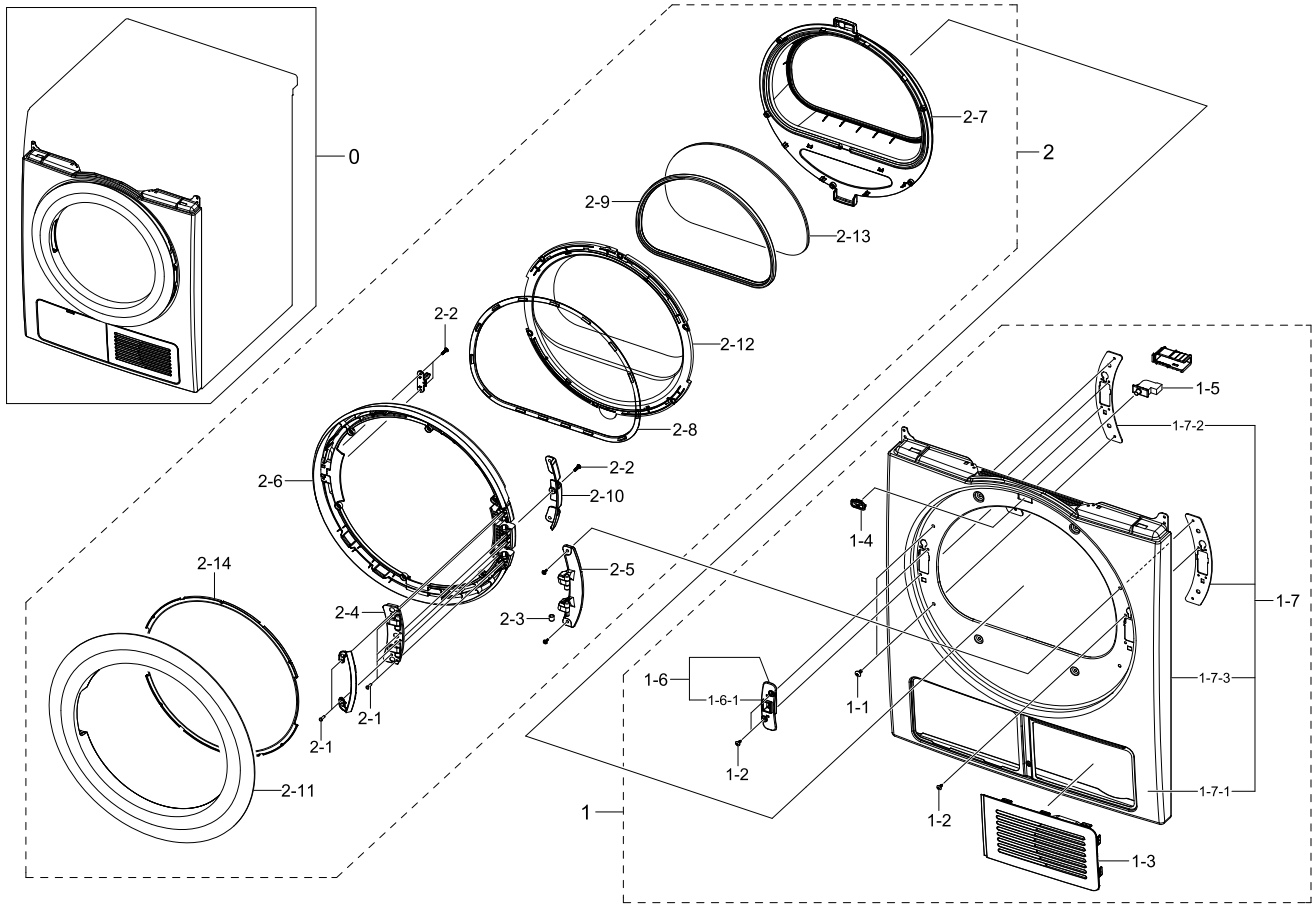
Exploded Views and Parts List

| No. | Lvl. | Loc. | Material Code | Description & Specification | SNA | Qty. |
|------|------|--------|---------------|--|-----|------|
| 10 | 2 | WI0384 | DC63-01158A | ABSORBER-SOUND(F); SDC18809,PU-FOAM,T20,W | SA | 1 |
| 11 | 2 | WJ0083 | 6031-002038 | WASHER-PLAIN; NYLON,ID12,OD17,T1.0,NTR | SA | 2 |
| 12 | 2 | WX0623 | 6044-001784 | RING-C; ID11.1,STW-12,T1.0,BLK,STC5 | SA | 1 |
| 13 | 2 | WB0001 | DC90-15588A | ASSY BASE; DV4000H | SNA | 1 |
| 14 | 2 | WJ0091 | DC93-00072A | ASSY GASKET FELT; GE24-DRYER,DCVH480EK,-, | SA | 1 |
| 14-1 | 3 | WJ0093 | DC61-02263A | BRACKET GASKET FELT; DCVH480EK0WW,STAINLE | SA | 1 |
| 14-2 | 3 | WJ0110 | DC93-00093A | ASSY GASKET FELT SUB; GE24-DRYER,DCVH480E | SA | 1 |
| 15 | 2 | WF0002 | DC97-18396A | ASSY COVER BACK; DV4000H,DV80H4100CW | SA | 1 |
| 15-1 | 3 | WE0147 | DC62-00288A | SEAL-COVER DUCT(F); SDC18809,CR,BLK,T2.0, | SA | 2 |
| 15-2 | 3 | WE0147 | DC62-00288B | SEAL-COVER DUCT(F); SDC18809,CR,BLK,T3.0, | SA | 1 |
| 15-3 | 3 | WE0148 | DC62-00289A | SEAL COVER DUCT-G; SDC18809,CR,BLK,T3.0,W | SA | 3 |
| 15-4 | 3 | WY0103 | DC63-01100A | COVER DUCT; SDC-18809,GI-SGCC,T0.6,W486,L | SA | 1 |
| 15-5 | 3 | | DC62-00438A | SEAL DUCT; DV80H4100CW,PE-FOAM,DARK HOLDE | SA | 1 |
| 16 | 2 | WY0003 | DC93-00115B | ASSY CONDENSER; DV4000H,DV80H4100 | SA | 1 |
| 17 | 2 | WI5050 | DC93-00135A | ASSY GUIDE DUCT FAN; D100 PJT,SDC18809,PP | SA | 1 |
| 17-1 | 3 | | DC62-00331A | SEAL GUIDE DUCT; SDC18809,EPDM,BLK,T10.0, | SA | 1 |
| 18 | 2 | WE0016 | DC96-00146A | ASSY POWER CORD; VDE,UCP2,250V16A,H05VV-F | SC | 1 |
| 19 | 2 | WS0009 | DC97-16288A | ASSY HOUSING BEARING; D100-PJT,SDC18809,8 | SA | 1 |
| 20 | 1 | WG0004 | DC90-15493A | ASSY DRUM; DV4000H | SNA | 1 |
| 21 | 2 | WF0125 | DC97-15758A | ASSY DRUM FRONT; D100 PJT,SDC18809,T2.5,W | SA | 1 |
| 22 | 2 | WF0009 | DC97-18233D | ASSY FRONT; DV4000H,DV80H4200CW,WHITE | SNA | 1 |
| 23 | 2 | | DC93-00507A | ASSY COVER CONDENSER; DV4000H,DV80H4100CW | SA | 1 |
| 24 | 2 | WC0016 | DC97-18226F | ASSY PANEL CONTROL; DV80H4100CW/EF,French | SNA | 1 |
| 25 | 2 | WC0009 | DC97-17318B | ASSY KNOB ENCODER; WF80F50FU4W/EF | SNA | 1 |
| 26 | 2 | | DC92-01667A | ASSY KIT; UNION PBA,DV4000,BEST DISPLAY K | SA | 1 |
| 27 | 2 | WR0008 | DC97-15938A | ASSY HOUSING DRAWER; D100 PJT,SDC18809,PP | SA | 1 |
| 28 | 2 | WR0005 | DC97-18241A | ASSY DRAWER; DV4000H,DV80H4100CW | SA | 1 |

| No. | Lvl. | Loc. | Material Code | Description & Specification | SNA | Qty. |
|-----|------|--------|---------------|--|-----|------|
| 29 | 2 | WE5185 | DC90-10128P | ASSY THERMISTOR; 5V,-20~170RESISTOR,S | SA | 1 |
| 30 | 2 | WH5379 | DC62-10278A | HOSE HANGER; PUMP MODEL,PP,BLACK | SA | 1 |
| 31 | 2 | | DC61-02479A | GUIDE HOSE; SDC18809,PP,T1.5,L34.5,NTR,D1 | SA | 1 |
| 32 | 2 | WH0023 | DC97-15757C | ASSY HOSE DRAIN; D100,SDC18809,L1998,ID9. | SA | 1 |
| 33 | 2 | WX0419 | 6002-000239 | SCREW-TAPPING; TH,+,NO,2S,M4,L8,ZPC(WHT), | SA | 3 |
| 34 | 2 | | DC63-01804A | COVER PLATE; DV80H4100CW,GI-SGCC,T1.2,-,- | SA | 1 |

2. Assy Front

Exploded View



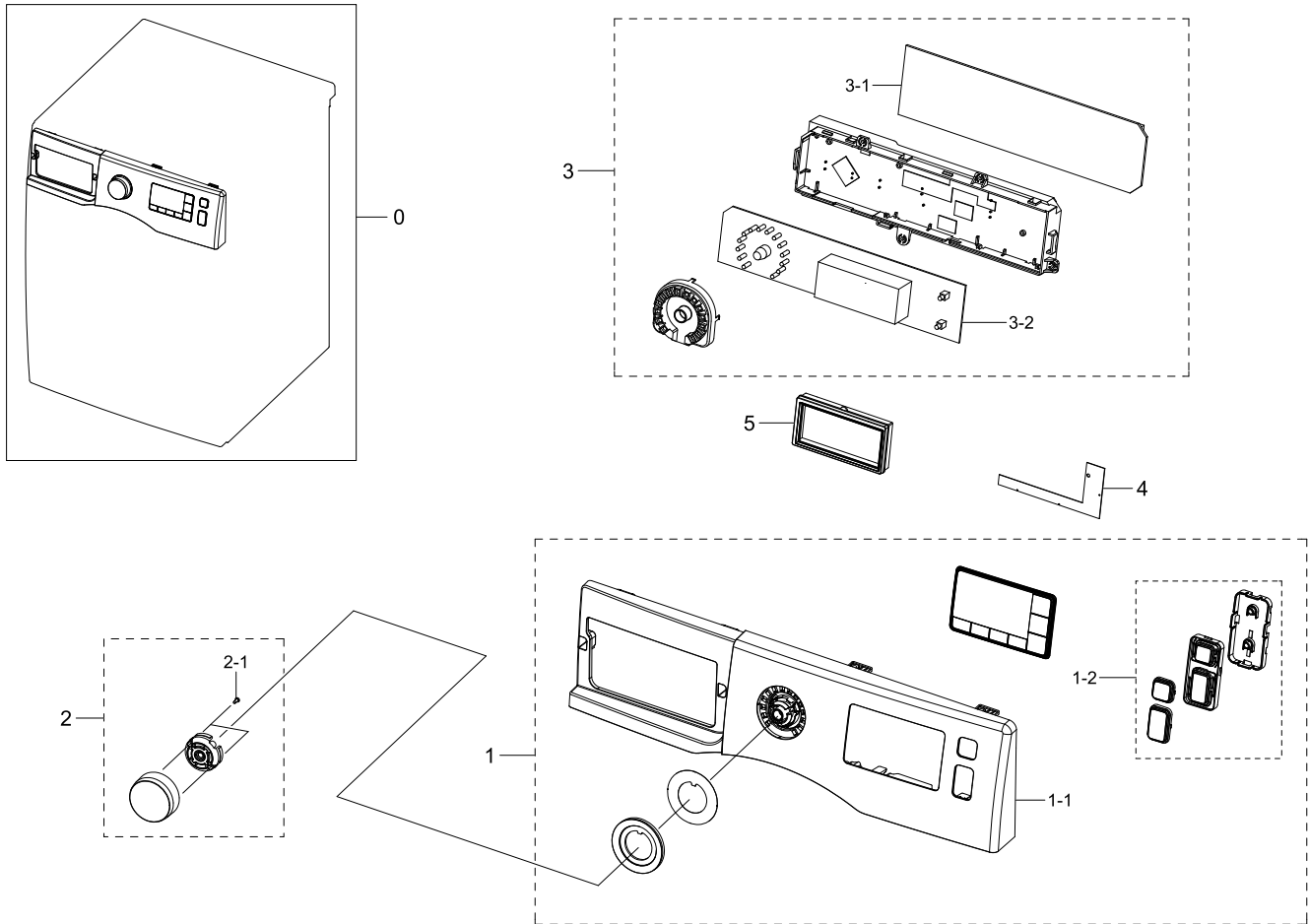
Parts List

| No. | Lvl. | Loc. | Material Code | Description & Specification | SNA | Qty. |
|-----|------|--------|---------------|--|-----|------|
| 0 | 2 | WF0009 | DC97-18233D | ASSY FRONT; DV4000H,DV80H4200CW,WHITE | SNA | 1 |
| 1 | 3 | WF0005 | DC97-15759G | ASSY FRAME FRONT; DV4000H,DV80H4100CW,WHI | SA | 1 |
| 1-1 | 4 | WX0407 | 6001-001773 | SCREW-MACHINE; TH,+,-,M5,L12,PASS,STS430, | SA | 2 |
| 1-2 | 4 | WX0620 | 6002-001006 | SCREW-TAPPING; TH,+,-,2S,M4,L12,PASS,STS4 | SA | 3 |
| 1-3 | 4 | WI0171 | DC63-01082A | COVER FRONT; SDC18809,ABS,T2.5,HB,DA WHIT | SA | 1 |
| 1-4 | 4 | WE0175 | DC63-01226A | COVER-SWITCH(F); SDC18809,PP,W60.8,L35,GR | SA | 1 |
| 1-5 | 4 | WE0068 | DC64-00828D | DOOR-S/W; PDS020-02 / SPE110F-1D,PA,T13.2 | SA | 1 |
| 1-6 | 4 | WD0011 | DC97-15505B | ASSY HOLDER LEVER; D100,SDC18809,DARK HOL | SA | 1 |

| No. | Lvl. | Loc. | Material Code | Description & Specification | SNA | Qty. |
|-------|------|--------|---------------|---|-----|------|
| 1-6-1 | 5 | WD0106 | DC61-02253B | HOLDER LEVER; D100,POM,DARK HOLDER GRAY | SA | 1 |
| 1-7 | 4 | WF0006 | DC97-16526A | ASSY FRAME FRONT(S); D100 PJT,SDC18809,WH | SA | 1 |
| 1-7-1 | 5 | WP0095 | DC61-01981A | BRACKET FRAME; WF8804DP,GI-SGCC,T0.8,W20, | SA | 1 |
| 1-7-2 | 5 | WP0101 | DC61-02283A | BRACKET HINGE; DCVH480EK0WW,HGI,T2.0,W35, | SA | 2 |
| 1-7-3 | 5 | WF0082 | DC61-02464A | FRAME FRONT; D100_DRYER,EGI-SECD,-,DA WHI | SA | 1 |
| 2 | 3 | WD0003 | DC97-18320B | ASSY DOOR; DV4000H,DV80H4200CW | SA | 1 |
| 2-1 | 4 | WX0616 | 6002-000215 | SCREW-TAPPING; TH,+,NO,1,M4,L16,ZPC(WHT), | SA | 6 |
| 2-2 | 4 | WX0427 | 6002-000445 | SCREW-TAPPING; TH,+,NO,2,M4,L18,PASS,STS4 | SA | 11 |
| 2-3 | 4 | WD0090 | DC61-00891A | GUIDE HINGE; HAUZEN(DOM),POM,-,-,-,WHT,HI | SA | 4 |
| 2-4 | 4 | WD0134 | DC61-02462A | SUPPORT HINGE; SDC18809,GI-SGCC,T1.4,W143 | SA | 1 |
| 2-5 | 4 | | DC61-03665A | HINGE DOOR; DV80F5E5HGW,ALDC,T4.0,- | SA | 1 |
| 2-6 | 4 | WD0104 | DC61-03672A | HOLDER GLASS; DV80F5E5HGW,PP,T0.3,NEAT WH | SA | 1 |
| 2-7 | 4 | WD0104 | DC61-03897A | HOLDER GLASS; DV4000H,PP,-,NEAT WHITE,-,F | SA | 1 |
| 2-8 | 4 | | DC62-00270C | SEAL DOOR; DV80H4100CW,TPE,-,-,XR-1045,GR | SA | 1 |
| 2-9 | 4 | WD0127 | DC62-00293A | SEAL DOOR; SDC14709,TPE,GRY,W16.6,L1155,D | SA | 1 |
| 2-10 | 4 | | DC63-01627A | COVER HOLDER; DV80F5E5HGW,PMMA,T2.3,-,NAT | SA | 1 |
| 2-11 | 4 | | DC63-01628C | COVER DOOR; DV80F5EBHGW,ABS+PMMA,T1.8,HB, | SNA | 1 |
| 2-12 | 4 | | DC63-01775A | COVER GLASS; HIPS,-,-,DA WHITE,S834S1,-,W | SA | 1 |
| 2-13 | 4 | | DC64-03124A | DOOR GLASS-P; DV4000H,GLASS,T3.2,-,CLEAR | SA | 1 |
| 2-14 | 4 | | DC64-03125A | DOOR SAFETY; DV4000H,PET,-,-,JN200,CLEAR | SA | 1 |

3. Assy Panel Control Parts

Exploded View



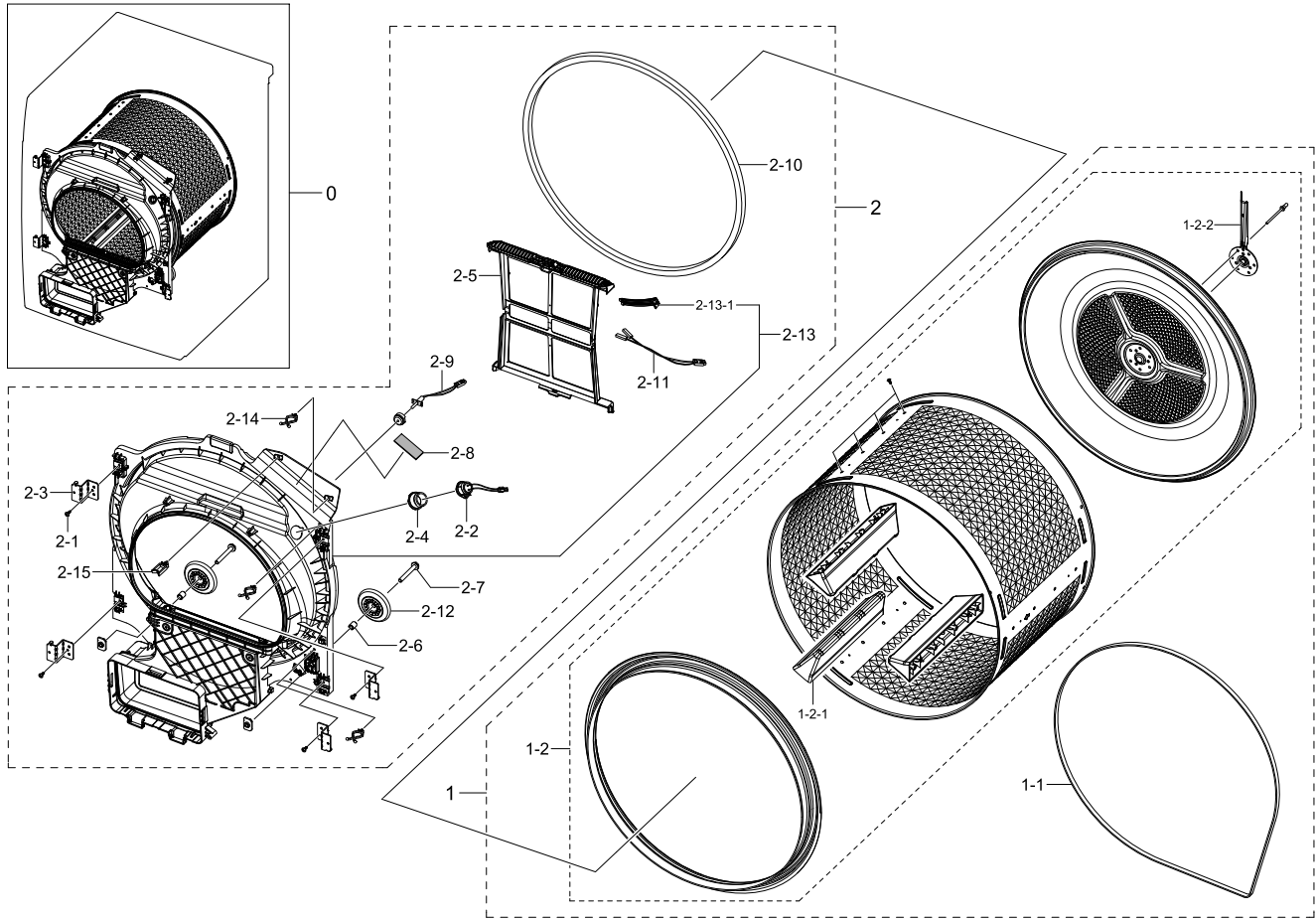
Parts List

| No. | Lvl. | Loc. | Material Code | Description & Specification | SNA | Qty. |
|-----|------|--------|---------------|---|-----|------|
| 1 | 2 | WC0016 | DC97-18226F | ASSY PANEL CONTROL; DV80H4100CW/EF,French | SNA | 1 |
| 1-1 | 3 | | DC64-03128A | PANEL CONTROL; DV-4000H,ABS,-,HG-0760GP,D | SA | 1 |
| 1-2 | 3 | WC0001 | DC97-17392A | ASSY BUTTON; WF80F50FU4W/EF | SA | 1 |
| 2 | 2 | WC0009 | DC97-17318B | ASSY KNOB ENCODER; WF80F50FU4W/EF | SNA | 1 |
| 2-1 | 3 | WX0615 | 6002-000630 | SCREW-TAPPING; PH,+ ,NO,2S,M3,L8,ZPC(WHT), | SA | 2 |
| 3 | 2 | | DC92-01667A | ASSY KIT; UNION PBA,DV4000,BEST DISPLAY K | SA | 1 |
| 3-1 | 3 | WZ0010 | DC92-01664A | ASSY PCB MAIN; MAIN PBA,DV4000,230V/50HZ, | SNA | 1 |
| 3-2 | 3 | WZ0025 | DC92-01486A | ASSY PCB SUB; SUB BEST 8kg,DV-F500E,N,HEA | SA | 1 |

| No. | Lvl. | Loc. | Material Code | Description & Specification | SNA | Qty. |
|-----|------|------|---------------|--|-----|------|
| 4 | 2 | | DC93-00351A | ASSY SENSOR; F500 BEST, TOUCH SENSOR, 7-BUT | SA | 1 |
| 5 | 2 | | DC62-00402A | SEAL RUBBER; EPDM, BLACK, -, BEST | SA | 1 |

4. Assy Drum

Exploded View



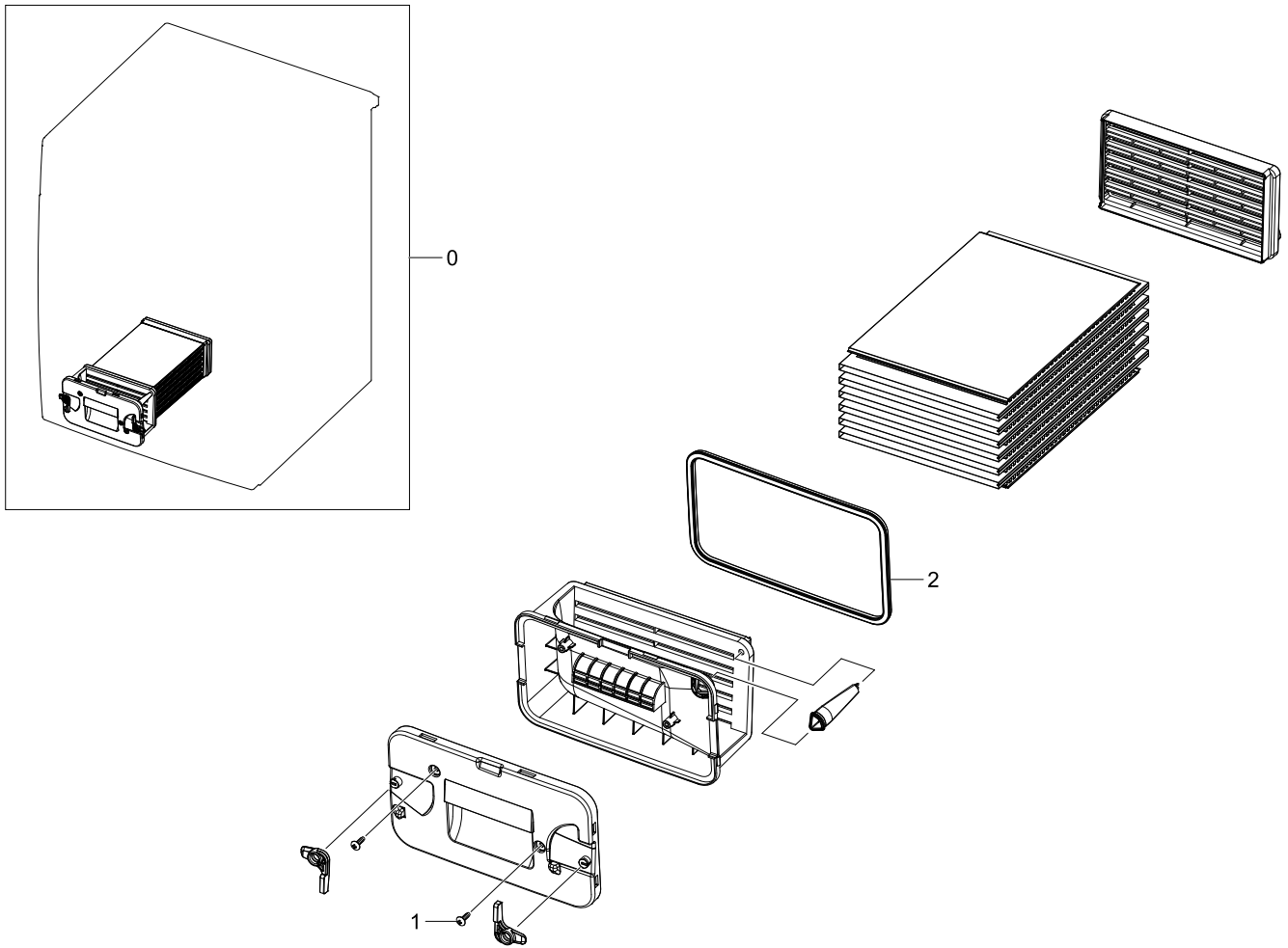
Parts List

| No. | Lvl. | Loc. | Material Code | Description & Specification | SNA | Qty. |
|-------|------|--------|---------------|--|-----|------|
| 1 | 1 | WG0004 | DC90-15493A | ASSY DRUM; DV4000H | SNA | 1 |
| 1-1 | 2 | WS0060 | 6602-002024 | BELT-TIMING GEAR; 7PH1970,RUBBER,T2.7,L19 | SA | 1 |
| 1-2 | 2 | WG0007 | DC97-15812C | ASSY DRUM WRAPPER; DV4000H,DV80H4100CW | SA | 1 |
| 1-2-1 | 3 | WG0055 | DC66-00541A | DRUM LIFTER; GE24-DRYER,PP,T3.0,FC2210,GR | SA | 3 |
| 1-2-2 | 3 | WS0006 | DC97-15817A | ASSY FLANGE SHAFT; D100-PJT,SDC-18809 | SA | 1 |
| 2 | 2 | WF0125 | DC97-15758A | ASSY DRUM FRONT; D100 PJT,SDC18809,T2.5,W | SA | 1 |
| 2-1 | 3 | WX0622 | 6002-001306 | SCREW-TAPPING; TH,+,1,M4,L14,ZPC(WHT),SWR | SA | 4 |
| 2-2 | 3 | WE0174 | DC47-00027A | ASSY LAMP LED; 2,FR-1,4.8~5.2,WHITE,AMP | SA | 1 |
| 2-3 | 3 | WP0173 | DC61-01236A | BRACKET DRUM FRONT; WINGS-DRYER,HGI,T2.0, | SA | 4 |

| No. | Lvl. | Loc. | Material Code | Description & Specification | SNA | Qty. |
|--------|------|--------|---------------|--|-----|------|
| 2-4 | 3 | WI0349 | DC61-02457A | FIXER LAMP; D100-DRYER,EPDM,GRAY | SA | 1 |
| 2-5 | 3 | | DC61-02473B | CASE FILTER; PP,-,DARK HOLDER GRAY,-,FH21 | SA | 1 |
| 2-6 | 3 | WS0063 | DC61-02485A | BUSH BEARING; SDC18809,SWRCH10A,ID8,OD12, | SA | 2 |
| 2-7 | 3 | WF0126 | DC66-00572A | SHAFT ROLLER; SDC18809,SWRCH10A,L61,OD8,Z | SA | 2 |
| 2-8 | 3 | WO0062 | DC72-00040H | ABSORBER SPONGE; SDC18809,PU-FOAM,T3.0,W5 | SA | 1 |
| 2-9 | 3 | WE5048 | DC90-10128G | ASSY THERMISTOR; SEW-745DW,L120,-,- | SA | 1 |
| 2-10 | 3 | WI0028 | DC93-00125A | ASSY GASKET PAD; D100-PJT,SDC18809,PE+WOO | SA | 1 |
| 2-11 | 3 | WW5193 | DC96-00766A | ASSY WIRE HARNESS; - | SA | 1 |
| 2-12 | 3 | WS0021 | DC97-15768A | ASSY ROLLER; D100-PJT,SDC18809 | SA | 2 |
| 2-13 | 3 | WF0127 | DC97-15863A | ASSY DRUM FRONT-SUB; D100 PJT,SDC18809,T2 | SA | 1 |
| 2-13-1 | 4 | WE0117 | DC61-02359A | PLATE SENSOR; GE24-DRYER,STAINLESS-ST5430 | SA | 2 |
| 2-14 | 3 | WI0293 | DC61-40086A | HOLDER WIRE; DAWH-3NB,PA,T1.8,NATURAL,-,K | SA | 2 |
| 2-15 | 3 | WI0294 | DC61-00553B | HOLDER-WIRE SADDLE; PA,NTR,NYLON66 | SA | 1 |

5. Assy Condenser

Exploded View

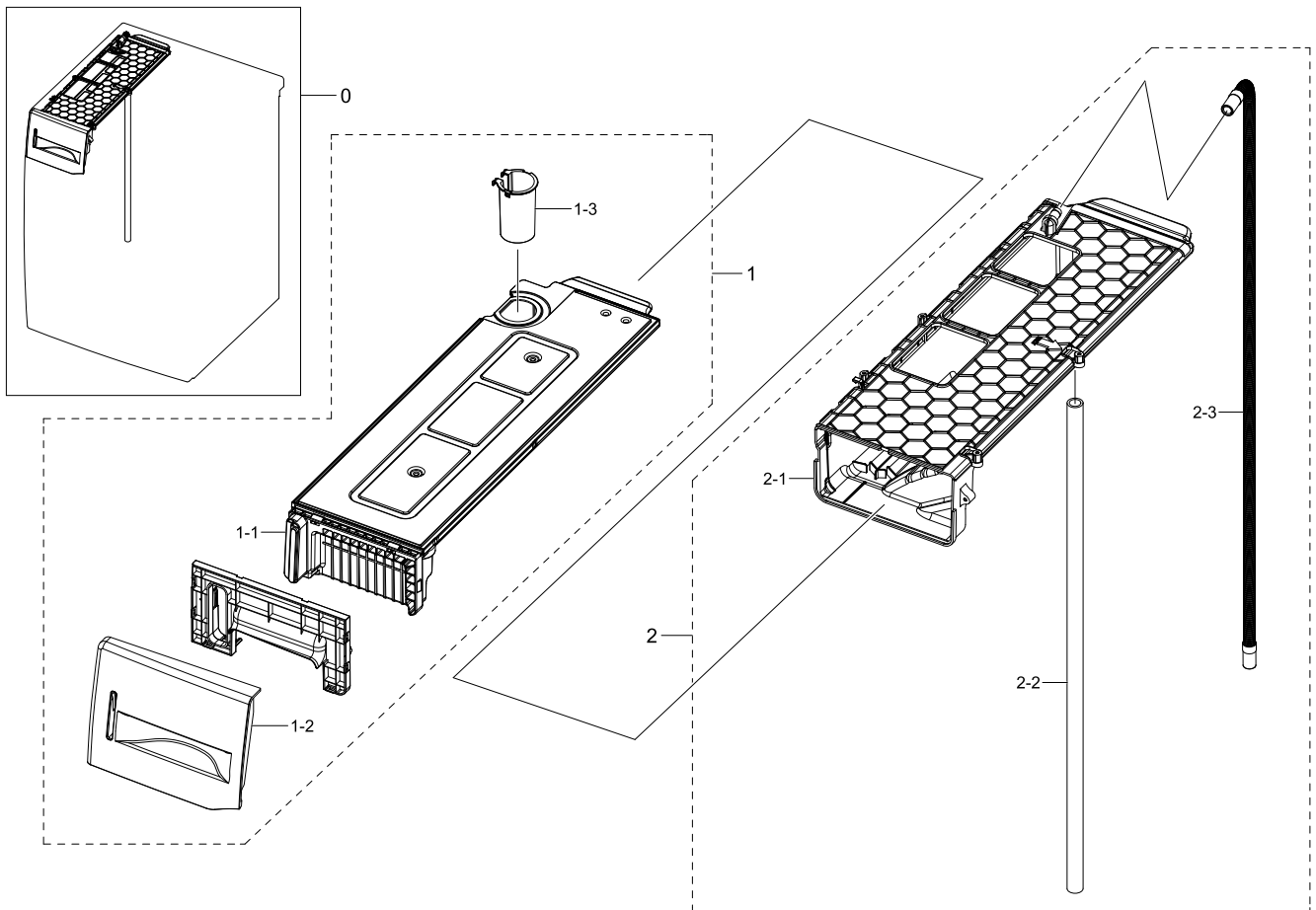


Parts List

| No. | Lvl. | Loc. | Material Code | Description & Specification | SNA | Qty. |
|-----|------|--------|---------------|--|-----|------|
| 0 | 2 | WY0003 | DC93-00115B | ASSY CONDENSER; DV4000H,DV80H4100 | SA | 1 |
| 1 | 3 | WX0621 | 6002-000444 | SCREW-TAPPING; TH,+,2,M4,L14,PASS,STS430 | SA | 2 |
| 2 | 3 | | DC62-00441A | SEAL CONDENSER; DV80H4100,TPE,-,-,XR-1045 | SA | 1 |

6. Assy Drawer&Housing Drawer

Exploded View

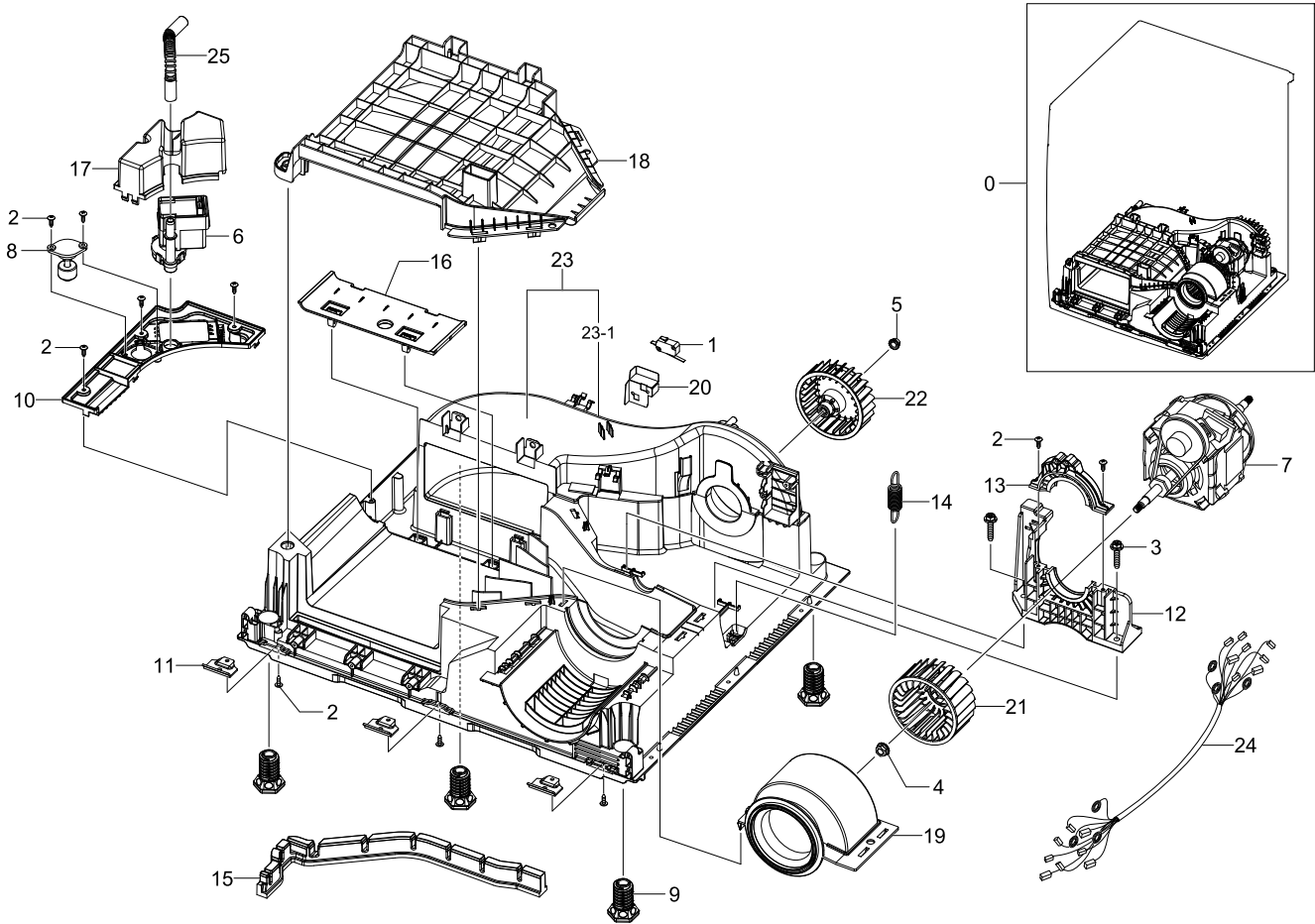


Parts List

| No. | Lvl. | Loc. | Material Code | Description & Specification | SNA | Qty. |
|-----|------|--------|---------------|--|-----|------|
| 1 | 2 | WR0005 | DC97-18241A | ASSY DRAWER; DV4000H,DV80H4100CW | SA | 1 |
| 1-1 | 3 | | DC61-02573B | BODY TANK WATER; DV80H4100CW,PP,NATURAL,- | SA | 1 |
| 1-2 | 3 | WC0120 | DC64-03127A | PANEL DRAWER; DV-4000H,ABS,-,HG-0760GP,DA | SA | 1 |
| 1-3 | 3 | WI0341 | DC67-00428A | CAP TANK WATER; SDC18809,PP,SKY BLUE | SA | 1 |
| 2 | 2 | WR0008 | DC97-15938A | ASSY HOUSING DRAWER; D100 PJT,SDC18809,PP | SA | 1 |
| 2-1 | 3 | WR0049 | DC61-02476A | HOUSING DRAWER; SDC18809,PP,NTR | SA | 1 |
| 2-2 | 3 | WH5376 | DC67-00429A | HOSE WATER; SDC18809,EPDM,ID13.0,OD18.0,T | SA | 1 |
| 2-3 | 3 | WH0023 | DC97-15757A | ASSY HOSE DRAIN; D100,SDC18809,L748,GRY | SA | 1 |

7. Assy Base

Exploded View





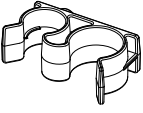

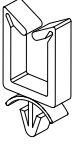
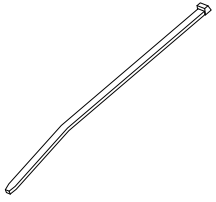

Parts List

| No. | Lvl. | Loc. | Material Code | Description & Specification | SNA | Qty. |
|-----|------|--------|---------------|--|-----|------|
| 0 | 2 | WB0001 | DC90-15588A | ASSY BASE; DV4000H | SNA | 1 |
| 1 | 3 | WE0136 | 3405-001077 | SWITCH-MICRO; 125V,16A,180gf,2 | SA | 1 |
| 2 | 2 | WX0622 | 6002-001306 | SCREW-TAPPING; TH,+,1,M4,L14,ZPC(WHT),SWR | SA | 2 |
| 3 | 3 | WX0470 | 6002-001313 | SCREW-HEX; HWH,+,-,M6.5,L25,ZPC(WHT),SWRC | SA | 2 |
| 4 | 3 | WX0574 | 6021-001201 | NUT-INCH; LEFT TURN,3/8"-24,ZPC(YEL),MSWR | SA | 1 |
| 5 | 3 | WX0618 | 6021-001321 | NUT-INCH; RIGHT TURN,3/8"-24,ZPC(BLK),SWC | SA | 1 |
| 6 | 3 | WU5017 | DC31-00105A | PUMP-DRAIN; B13-6AA01120,220V-240V,50Hz,4 | SA | 1 |
| 7 | 3 | WS0096 | DC31-00106A | MOTOR INDUCTION-DRYER; Dryer motor,Y6S258 | SA | 1 |
| 8 | 3 | WE0176 | DC34-00010A | SWITCH FLOAT; 500.5mm,1.5 | SA | 1 |

| No. | Lvl. | Loc. | Material Code | Description & Specification | SNA | Qty. |
|------|------|--------|---------------|--|-----|------|
| 9 | 3 | | DC61-02447B | LEG; D100 DRYER,FRPP,NTR,L49.3 | SA | 4 |
| 10 | 3 | WS0137 | DC61-02459A | HOLDER PUMP MOTOR; SDC18809,PP,W259,L145, | SA | 1 |
| 11 | 3 | WI0389 | DC61-02465A | GUIDE FRAME FRONT; D100_PJT,GI-SGCC,T2.0, | SA | 2 |
| 12 | 3 | WS0138 | DC61-02466A | SUPPORT-MOTOR(L); D100-PJT,PP,T3.0,W169,L | SA | 1 |
| 13 | 3 | WS0139 | DC61-02467A | SUPPORT-MOTOR(U); D100-PJT,PP,T3.0,W111,L | SA | 1 |
| 14 | 3 | WP0015 | DC61-02487A | SPRING ETC TENSION; SDC18809,HSWR-SWRH,CD | SA | 1 |
| 15 | 3 | WS0140 | DC62-00290A | SEAL BASE; SDC18809,EPP,NTR,T30,W18.2,L32 | SA | 1 |
| 16 | 3 | WB0038 | DC63-01083A | COVER BASE; SDC18809,PP,W201,L77.4,NTR,D1 | SA | 1 |
| 17 | 3 | WI0203 | DC63-01084A | COVER PUMP; SDC18809,HIPS,W136.5,L108,NTR | SA | 1 |
| 18 | 3 | WI0390 | DC63-01087A | COVER-CONDENSER(U); SDC18809,PP,W272,L351 | SA | 1 |
| 19 | 3 | WI0391 | DC63-01090A | COVER-FAN(C); SDC18809,PP,W175,L105.4,NTR | SA | 1 |
| 20 | 3 | WI0392 | DC63-01155A | COVER-SWITCH(M); SDC18809,GI-SGCC,T0.4,W4 | SA | 1 |
| 21 | 3 | WY0114 | DC67-00425A | FAN-(C); D100-DRYER,FRPP,OD100,GF15% | SA | 1 |
| 22 | 3 | | DC67-00426A | FAN-P; D100-DRYER,FRPP,OD139,GF15% | SA | 1 |
| 23 | 3 | WB5218 | DC90-02991A | ASSY BASE-SUB; D100-PJT,SDC-18809 | SA | 1 |
| 23-1 | 4 | WB0012 | DC61-02478A | BASE; SDC18809,PP,W592,L521.2,NTR | SA | 1 |
| 24 | 3 | | DC93-00494A | ASSY WIRE HARNESS-MAIN; DRYER-ELECTIC,Y,C | SA | 1 |
| 25 | 3 | WH0023 | DC97-15757B | ASSY HOSE DRAIN; D100,SDC18809,SINGLE BUS | SA | 1 |

8. Small Parts

Exploded View

| | | | | |
|---|---|---|--|---|
|  |  |  |  |  |
| 1 | 2 | 3 | 4 | 5 |
|  |  | | | |
| 6 | 7 | | | |

Parts List

| No. | Lvl. | Loc. | Material Code | Description & Specification | SNA | Qty. |
|-----|------|--------|---------------|--|-----|------|
| 1 | 3 | WI0293 | DC61-40086A | HOLDER WIRE; DAWH-3NB,PA,T1.8,NATURAL,-,K | SA | 2 |
| 2 | 2 | WI0293 | DC61-40081A | HOLDER WIRE; DAWH-2NC,PA,-,NATURAL,- | SA | 7 |
| 3 | 2 | WJ5055 | DC65-00026A | CLAMPER HOSE-FIX; SDC18809,PP,BJ350,NTR | SA | 1 |
| 4 | 3 | WX0599 | 6502-000168 | CABLE CLAMP; DA-6N,ID10.0,T1.0,NYLON6/6,N | SNA | 1 |
| 5 | 3 | WI0294 | DC61-00553B | HOLDER-WIRE SADDLE; PA,NTR,NYLON66 | SA | 1 |
| 6 | 2 | WJ0021 | DC65-10001A | CABLE TIE; PVC | SNA | 2 |
| 7 | 2 | WI0293 | DC61-40083A | HOLDER WIRE; DAWH-3ND,NYLON66,NTR(PI24.4) | SNA | 1 |