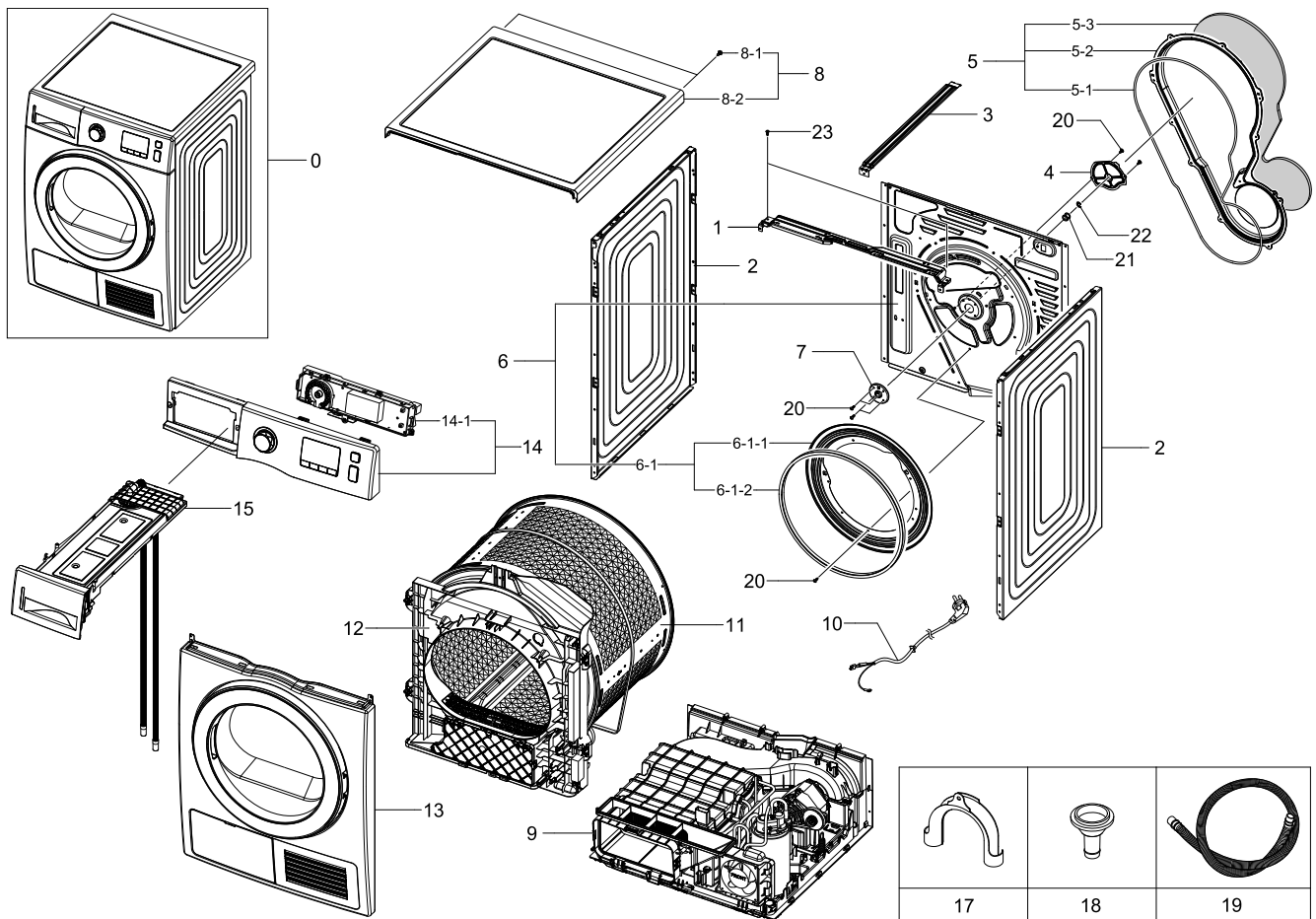


# 1. Main

## Exploded View



## Parts List

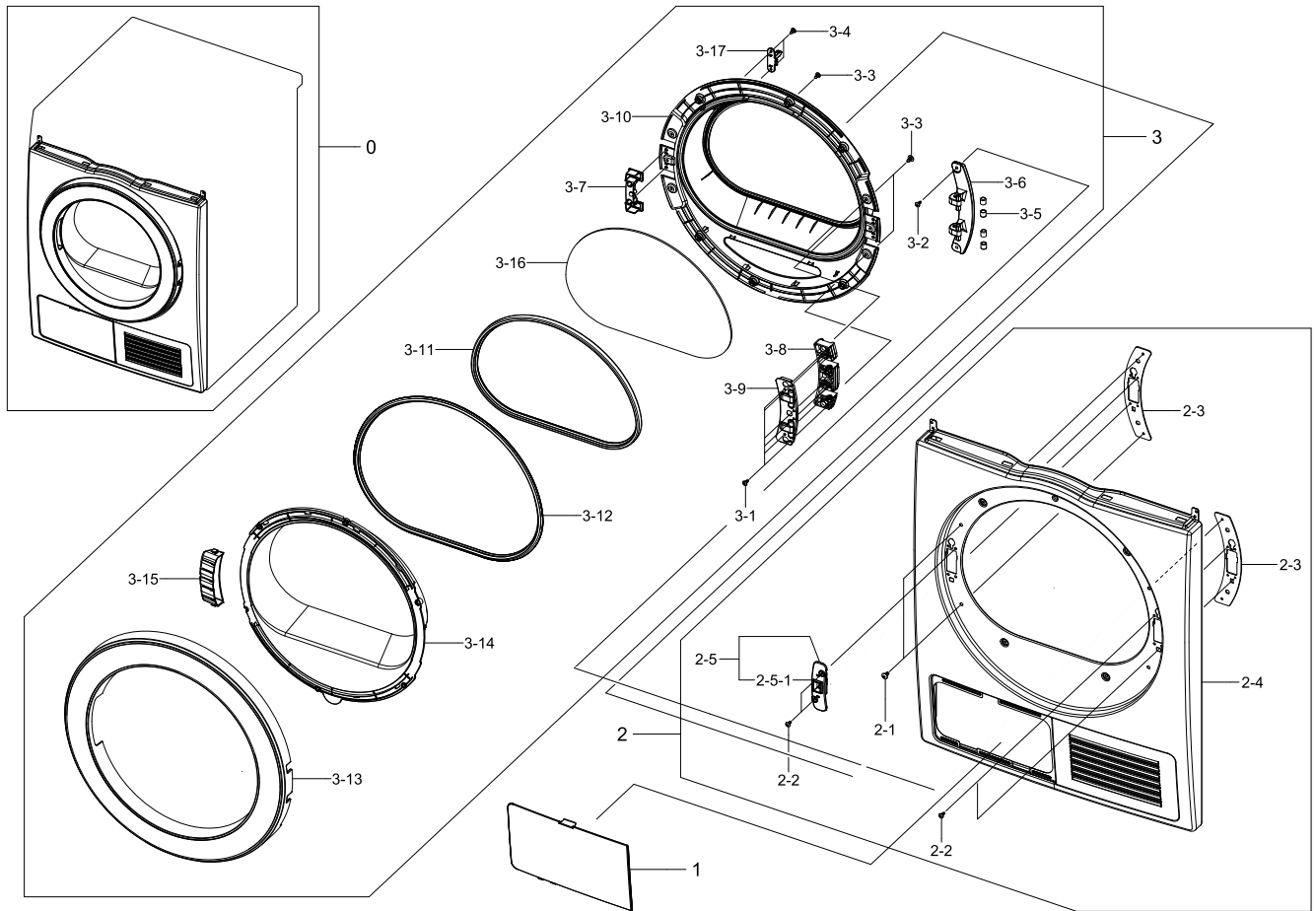
No.	Lvl.	Loc.	Material Code	Description & Specification	SNA	Qty.
1	3		DC61-03629A	FRAME PLATE-UP; DV90F5E6HGW,GI-SGCC,-,-,T	SNA	1
2	2		DC61-03638A	FRAME-SIDE; DV90F5E6HGW,EGI-SECC,-,DA WHI	SNA	2
3	2		DC61-03639A	GUIDE WIRE; DV90F5E6HGW,GI-SGCC,T1.2,-,-	SA	1
4	2	WS0141	DC63-01263A	COVER-BEARING; SDC18809,EGI-SECC,T0.8,W10	SA	1
5	2	WY0097	DC93-00382A	ASSY COVER DUCT; DV-F500E,DV90F5E6HGW,PP+	SA	1
5-1	3		DC62-00377C	SEAL DUCT; DV90F5E6HGW,EPDM,BLACK,-,L1840	SA	1
5-2	3		DC63-01605A	COVER DUCT FAN; DV90F5E6HGW,PP,-,-,DARK H	SNA	1
5-3	3		DC63-01620A	ABSORBER SPONGE; DV90F5E6HGW,PE-FOAM,T10,	SNA	1

Exploded Views and Parts List

No.	Lvl.	Loc.	Material Code	Description & Specification	SNA	Qty.
6	2		DC97-17452A	ASSY FRAME-REAR; DV-F500E,DV90F5E6HGW,-	SNA	1
6-1	3	WJ0091	DC93-00383A	ASSY GASKET FELT; DV-F500E,DV90F5E6HGW,-	SA	1
6-1-1	4		DC61-03636A	BRACKET GASKET FELT; DV90F5E6HGW,GI-SGCC,	SNA	1
6-1-2	4	WI0028	DC93-00125C	ASSY GASKET PAD; DV-F500E,DV90F5E6HGW,L12	SNA	1
7	3	WS0009	DC97-16288A	ASSY HOUSING BEARING; D100-PJT,SDC18809,8	SA	1
8	1	WF0003	DC90-13380A	ASSY COVER TOP; DV-F500E 9KG	SNA	1
8-1	2	WX0531	6009-001476	SCREW-HEX; HEX,+,M5,L10,Ni-Zn(WHT),SWRCH1	SA	2
8-2	2	WF0003	DC97-17446A	ASSY COVER TOP; DV-F500E,DV90F5E6HGW,DA-W	SA	1
9	1	WB0001	DC90-13379A	ASSY BASE; DV-F500E 9KG	SNA	1
10	2	WE0016	DC96-00146B	ASSY POWER CORD; VDE,UCP2,250V16A,H05VV-F	SA	1
11	1	WG0004	DC90-13381A	ASSY DRUM; DV-F500E 9KG	SNA	1
12	2		DC97-17459B	ASSY DRUM FRONT; DV-F500E,DV70F5E0HGW	SA	1
13	1	WF0009	DC90-13717A	ASSY FRONT; DV-F500E(7kg)	SNA	1
14	1	WC0016	DC90-14040A	ASSY PANEL CONTROL; DV71F5E0HGW/EN	SNA	1
14-1	2		DC92-01482A	ASSY KIT; PBA KIT,DV-F500E,HEAT PUMP DRYE	SA	1
15	1	WR0005	DC90-13383A	ASSY DRAWER; DV-F500E 9KG	SNA	1
17	2	WH5379	DC62-10278A	HOSE-HANGER; PUMP MODEL,PP,BLACK	SA	1
18	2		DC61-02479A	GUIDE-HOSE; SDC18809,PP,T1.5,L34.5,NTR,D1	SNA	1
19	2	WH0023	DC97-15757C	ASSY HOSE DRAIN; D100,SDC18809,L1998,ID9.	SA	1
20	2	WX0419	6002-000239	SCREW-TAPPING; TH,+,NO,2S,M4,L8,ZPC(WHT),	SA	2
21	2	WJ0083	6031-002038	WASHER-PLAIN; NYLON,ID12,OD17,T1.0,NTR	SA	2
22	2	WX0623	6044-001784	RING-C; ID11.1,STW-12,T1.0,BLK,STC5	SA	1
23	2	WX0512	6009-001240	SCREW-SPECIAL; TH,+,-,M5,L12,ZPC(WHT),SWR	SA	2

## 2. ASSY FRONT

### Exploded View



### Parts List

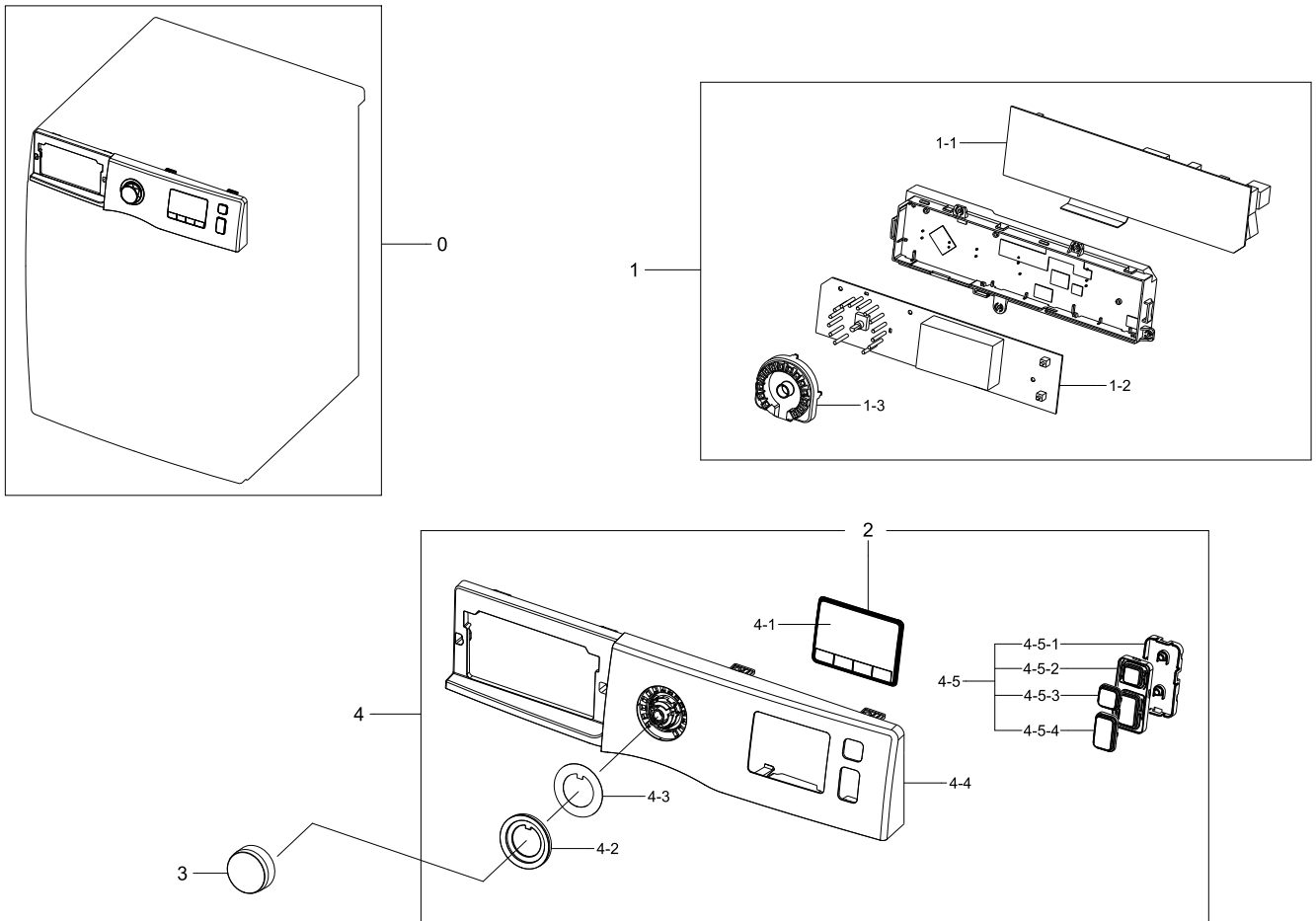
No.	Lvl.	Loc.	Material Code	Description & Specification	SNA	Qty.
0	1	WF0009	DC90-13717A	ASSY FRONT; DV-F500E(7kg)	SNA	1
1	2		DC63-01603A	COVER CONDENSER; DV-F500E,ABS,T2.5,-,DA W	SA	1
2	2	WF0005	DC97-17440B	ASSY FRAME FRONT; DV-F500E,DV70F5E0HGW,WH	SNA	1
2-1	3	WX0407	6001-001773	SCREW-MACHINE; TH,+,-,M5,L12,PASS,STS430,	SA	2
2-2	3	S0025	6002-001149	SCREW-TAPPING; TH,+,-,NO,2S,M4,L12,NI PLT,S	SNA	4
2-3	3	WP0101	DC61-02283A	BRACKET-HINGE; DCVH480EK0WW,HGI,T2.0,W35,	SA	2
2-4	3		DC61-03640A	FRAME FRONT; DV-F500E,EGI-SECD,-,DA WHITE	SNA	1
2-5	3	WD0011	DC97-15505B	ASSY HOLDER LEVER; D100,SDC18809,DARK HOL	SA	1

## Exploded Views and Parts List

No.	Lvl.	Loc.	Material Code	Description & Specification	SNA	Qty.
2-5-1	4	WD0106	DC61-02253B	HOLDER-LEVER; D100,POM,DARK HOLDER GRAY	SA	1
3	3	WD0003	DC97-17448B	ASSY DOOR; DV-F500E,DV70F5E0HGW	SA	1
3-1	4	WX0616	6002-000215	SCREW-TAPPING; TH,+,NO,1,M4,L16,ZPC(WHT),	SA	6
3-2	4	WX0420	6002-000241	SCREW-TAPPING; TH,+,-,2S,M5,L12,ZPC(WHT),	SA	1
3-3	4	WX0621	6002-000444	SCREW-TAPPING; TH,+,2,M4,L14,PASS,STS430	SA	14
3-4	4	WX0427	6002-000445	SCREW-TAPPING; TH,+,NO,2,M4,L18,PASS,STS4	SA	2
3-5	4	WD0090	DC61-00891A	GUIDE-HINGE; HAUZEN(DOM),POM,-,-,-,WHT,HI	SA	4
3-6	4	WD0096	DC61-02252A	HINGE-DOOR; GE24-DRYER,ALDC,T3.0,W47.1,L2	SA	1
3-7	4	WD0091	DC61-02455A	GUIDE-HOLDER GLASS; SDC18809,PP,W85.5,L33	SA	1
3-8	4	WD0145	DC61-02456A	HOLDER-HINGE; SDC18809,PP,W140,L35,GRY,D1	SA	1
3-9	4	WD0134	DC61-02462A	SUPPORT-HINGE; SDC18809,GI-SGCC,T1.4,W143	SA	1
3-10	4	WD0104	DC61-03648A	HOLDER GLASS; DV90D5E5HGW,PP,T3.0,DARK HO	SA	1
3-11	4		DC62-00270B	SEAL DOOR; DV90F5E6HGW,TPE,-,-,XR-1045,GR	SA	1
3-12	4		DC62-00271B	SEAL AIR; DV90F5E6HGW,TPE,-,-,XR-1045,GRA	SA	1
3-13	4		DC63-01616A	COVER DOOR; DV90D5E5HGW,HIPS,T2.5,-,DA WH	SA	1
3-14	4		DC63-01616A	COVER DOOR; DV90D5E5HGW,HIPS,T2.5,-,DA WH	SA	1
3-15	4	WD0094	DC64-01998B	HANDLE-DOOR; SDC16809,HIPS,W113.4,L42,DA	SA	1
3-16	4		DC64-02962A	DOOR GLASS; DV90F5E6HGW,GLASS,T3.2,-,-,PL	SA	1
3-17	4	WD0114	DC66-00536A	LEVER-DOOR; GE24-DRYER,ZNDC,W52.0,L31.0,C	SA	1

### 3. ASSY PANEL CONTROL

#### Exploded View



#### Parts List

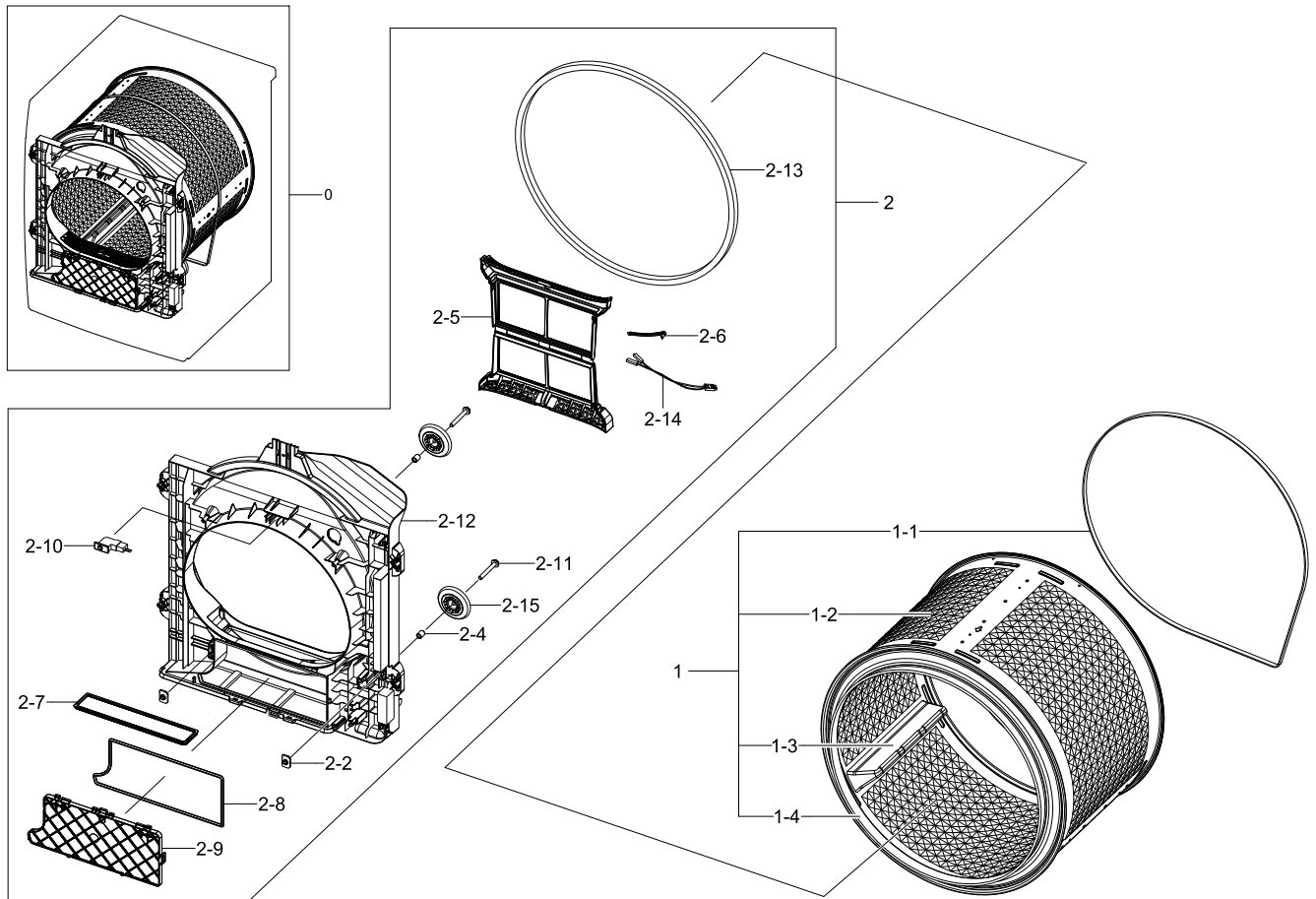
No.	Lvl.	Loc.	Material Code	Description & Specification	SNA	Qty.
0	1	WC0016	DC90-14040A	ASSY PANEL CONTROL; DV71F5E0HGW/EN	SNA	1
1	2		DC92-01482A	ASSY KIT; PBA KIT,DV-F500E,HEAT PUMP DRYE	SA	1
1-1	3	WZ0010	DC92-01484A	ASSY PCB MAIN; MAIN,DV-F500E,Y,230V/50HZ,	SA	1
1-2	3	WZ0025	DC92-01487A	ASSY PCB SUB; SUB BETTER 7kg,DV-F500E,N,H	SA	1
1-3	4		DC61-03596A	GUIDE ENCODER; WF60F4E1W2W,HIPS,T1.5,-,-	SNA	1
2	2		DC93-00352A	ASSY SENSOR; F400 BETTER,TOUCH SENSOR,4-B	SA	1
3	2	WC0009	DC97-17318B	ASSY KNOB ENCODER; WF80F50FU4W/EF	SNA	1
4	2	WC0016	DC97-17790D	ASSY PANEL CONTROL; DV71F5E0HGW/EN,DUTCH+	SA	1

## Exploded Views and Parts List

No.	Lvl.	Loc.	Material Code	Description & Specification	SNA	Qty.
4-1	3		DC64-02862K	WINDOW PANEL; DV71F5E0HGW/EN,ABS+PMMA,-,T	SNA	1
4-2	3	WC0135	DC64-02856A	WINDOW-ENCODER; F500E,ABS+PMMA,T5.8,D64.8	SNA	1
4-3	3	WC0097	DC64-02889B	INLAY-ENCODER; WF80F4E1W2W,PET,T0.188,-	SNA	1
4-4	3		DC64-02956A	PANEL CONTROL; DV90D5E5HGW,ABS,-,HG-0760G	SNA	1
4-5	3	WC0001	DC97-17392A	ASSY BUTTON; WF80F50FU4W/EF	SA	1
4-5-1	4		DC63-01543A	COVER-BUTTON(L); F500E,ABS,T2.0,W45.2,L91	SNA	1
4-5-2	4		DC64-02920A	BUTTON PUSH-POWER; F500E,ABS,DA WHITE	SNA	1
4-5-3	4		DC64-02921A	DECORATION BUTTON-POWER; F500E,PMMA,-,-,C	SNA	1
4-5-4	4		DC64-02922A	DECORATION BUTTON-START; F500E,PMMA,-,-,C	SNA	1

## 4. ASSY DRUM

### Exploded View



### Parts List

No.	Lvl.	Loc.	Material Code	Description & Specification	SNA	Qty.
1	1	WG0004	DC90-13381A	ASSY DRUM; DV-F500E 9KG	SNA	1
1-1	2	WS0060	6602-002024	BELT-TIMING GEAR; 7PH1970,RUBBER,T2.7,L19	SA	1
1-2	2	WG0007	DC97-17465A	ASSY DRUM WRAPPER; DV-F500E,DV90F5E6HGW	SA	1
1-3	3	WG0055	DC66-00541A	DRUM-LIFTER; GE24-DRYER,PP,T3.0,FC2210,GR	SA	3
1-4	3		DC66-00793A	DRUM FRONT; DV90F5E6HGW,STAINLESS-STS430,	SNA	1
2	2		DC97-17459B	ASSY DRUM FRONT; DV-F500E,DV70F5E0HGW	SA	1
2-2	3	WP0122	DC61-00201A	BRACKET-NUT; P1291,SBHG-R,T3,NO-PAINT/MOT	SA	2
2-4	3	WS0063	DC61-02485A	BUSH-BEARING; SDC18809,SWRCH10A,ID8,OD12,	SA	2

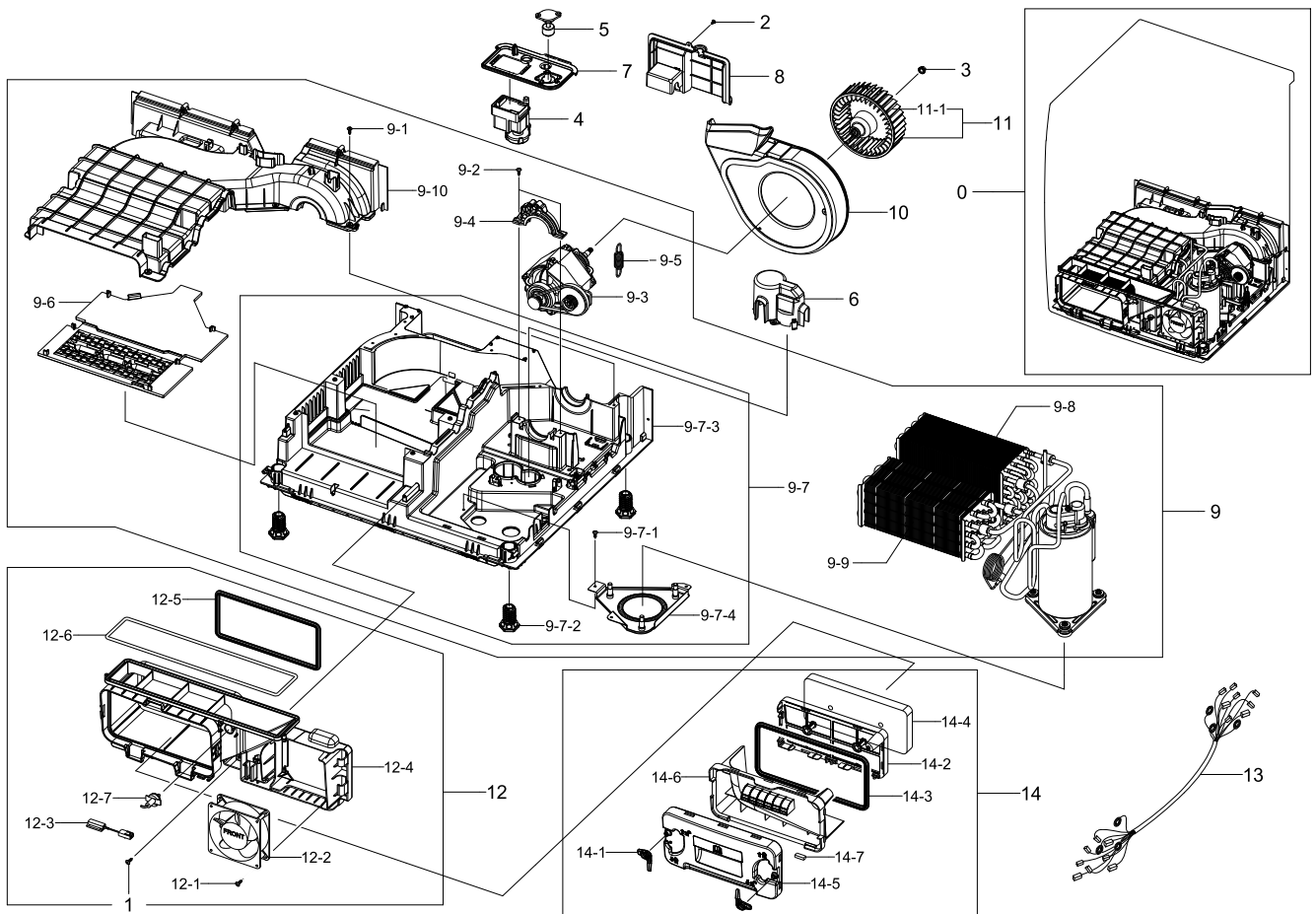
Exploded Views and Parts List

No.	Lvl.	Loc.	Material Code	Description & Specification	SNA	Qty.
2-5	3		DC61-03634A	CASE FILTER; DV90F5E6HGW,PP,T2.5,DARK HOL	SA	1
2-6	3		DC61-03635A	PLATE SENSOR; DV90F5E6HGW,STAINLESS-ST543	SA	2
2-7	3		DC62-00375A	SEAL PACKING; DV90F5E6HGW,EPDM,DARK HOLDE	SA	1
2-8	3		DC62-00377A	SEAL DUCT; DV90F5E6HGW,EPDM,BLACK,-	SA	1
2-9	3		DC63-01604A	COVER DUCT-F; DV90F5E6HGW,PP,T2.5,-,DARK	SNA	1
2-10	3	WE0068	DC64-00828D	DOOR-S/W; PDS020-02 / SPE110F-1D,PA,T13.2	SA	1
2-11	3	WF0126	DC66-00572A	SHAFT ROLLER; SDC18809,SWRCH10A,L61,OD8,Z	SA	2
2-12	3		DC66-00792B	DRUM FRONT-R; DV70F5E0HGW,PP,T2.5,-,FC230	SA	1
2-13	3	WI0028	DC93-00125B	ASSY GASKET PAD; DV-F500E,DV90F5E6HGW,L16	SNA	1
2-14	3	WW5193	DC96-00766A	ASSY WIRE HARNESS; -	SA	1
2-15	3	WS0021	DC97-15768A	ASSY ROLLER; D100-PJT,SDC18809	SA	2



## 5. ASSY BASE

### Exploded View



### Parts List

No.	Lvl.	Loc.	Material Code	Description & Specification	SNA	Qty.
0	1	WB0001	DC90-13379A	ASSY BASE; DV-F500E 9KG	SNA	1
1	2	WX0622	6002-001306	SCREW-TAPPING; TH,+,1,M4,L14,ZPC(WHT),SWR	SA	2
2	4	WX0622	6002-001306	SCREW-TAPPING; TH,+,1,M4,L14,ZPC(WHT),SWR	SA	1
3	2	WX0574	6021-001201	NUT-INCH; LEFT TURN,3/8"-24,ZPC(YEL),MSWR	SA	1
4	2	WU5017	DC31-00105A	PUMP-DRAIN; B13-6AA01120,220V-240V,50Hz,4	SA	1
5	2	WE0176	DC34-00010A	SWITCH FLOAT; FS-3B-02,1,2,POM,Float Swit	SA	1
6	4		DC61-03633A	HOLDER CONDENSER; DV-F500E,PP,T2.5,NATURA	SA	1
7	2		DC61-03643A	HOLDER PUMP MOTOR; DV-F500E,PP,T2.5,NATUR	SA	1
8	2		DC63-01609A	COVER PUMP; DV-F500E,PP,T2.5,-,NATURAL,FH	SA	1

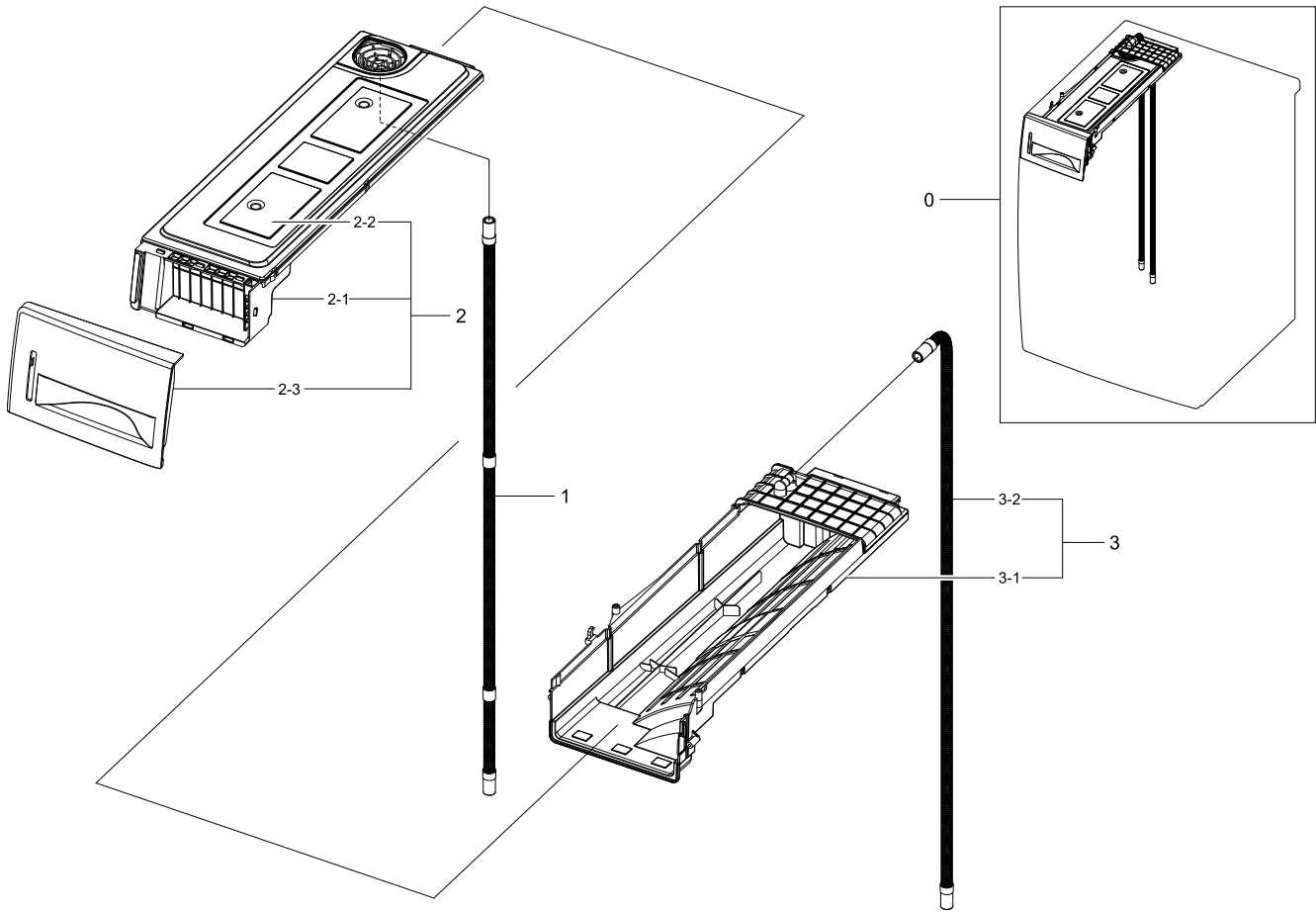
Exploded Views and Parts List

No.	Lvl.	Loc.	Material Code	Description & Specification	SNA	Qty.
9	2		DC90-13394A	ASSY CIRCULATION SYSTEM; DV-F500E	SNA	1
9-1	4	WX0622	6002-001306	SCREW-TAPPING; TH,+,1,M4,L14,ZPC(WHT),SWR	SA	1
9-2	2	WX0622	6002-001306	SCREW-TAPPING; TH,+,1,M4,L14,ZPC(WHT),SWR	SA	2
9-3	3		DC31-00106C	MOTOR AC DRIVE; DV-F500E,Y6S258D203,2Pole	SA	1
9-4	3	WS0139	DC61-02467A	SUPPORT-MOTOR(U); D100-PJT,PP,T3.0,W111,L	SA	1
9-5	3	WP0015	DC61-02487A	SPRING ETC-TENSION; SDC18809,HSWR-SWRH,CD	SA	1
9-6	3		DC63-01602A	COVER BASE; DV-F500E,PP,T2.5,-,NATURAL,BJ	SA	1
9-7	3	WB0004	DC90-13377A	ASSY BOTTOM; DV-F500E	SA	1
9-7-1	4	WX0441	6002-000520	SCREW-TAPPING; TH,+,-,2,M4,L12,ZPC(WHT),S	SA	3
9-7-2	4		DC61-02447B	LEG; D100 DRYER,FRPP,NTR,L49.3	SA	4
9-7-3	4	WB0012	DC61-03630A	BASE; DV-F500E,PP,NATURAL,HB,FC2305	SNA	1
9-7-4	4		DC97-17568A	ASSY BRACKET COMP; DV-F500E,GI T1.0	SNA	1
9-8	3	WY0003	DC93-00394A	ASSY CONDENSER; DV-F500E,DV90F5E6HGW,AI	SNA	1
9-9	3	WY0003	DC93-00395A	ASSY CONDENSER; DV-F500E,DV90F5E6HGW,AI	SNA	1
9-10	3		DC93-00397A	ASSY COVER CONDENSER; DV-F500E,DV90F5E6HG	SNA	1
10	2		DC93-00386A	ASSY GUIDE DUCT FAN; DV-F500E,DV90F5E6HGW	SA	1
11	2	WY0022	DC93-00387A	ASSY FAN DRY; DV-F500E,DV90F5E6HGW,FRPP,O	SA	1
11-1	3		DC66-00795A	BLADE-BLOWER; DV-F500E,FRPP,NATURAL	SNA	1
12	3	WY0012	DC93-00396A	ASSY DUCT FRONT; DV-F500E,DV90F5E6HGW,PP(	SA	1
12-1	4	WX0622	6002-001306	SCREW-TAPPING; TH,+,1,M4,L14,ZPC(WHT),SWR	SA	1
12-2	4	WS0093	DC31-00177A	MOTOR FAN; F1238S12B,0.29A,3.5W,2000,DC 1	SA	1
12-3	4	WE0134	DC34-00001G	SWITCH REED; DC5V,1.5A,Sensor : RHODIUM(M	SA	1
12-4	4		DC61-03646A	GUIDE AIR FLOW; PP,T2.5,HB,FC2305,DARK HO	SA	1
12-5	4		DC62-00280B	SEAL CONDENSER; DV-F500E,TPE,KT GRAY,-,L6	SA	1
12-6	4		DC62-00377B	SEAL DUCT; DV90F5E6HGW,EPDM,BLACK,-,L930	SA	1
12-7	4	WE5048	DC90-10128G	ASSY THERMISTOR; SEW-745DW,L120,-,-	SA	1
13	2		DC93-00405A	ASSY WIRE HARNESS-MAIN; DV-F500E,DV90F5E6	SA	1

No.	Lvl.	Loc.	Material Code	Description & Specification	SNA	Qty.
14	2	WI0026	DC97-17457A	ASSY FILTER GUIDE; DV-F500E,DV90F5E6HGW,H	SA	1
14-1	3		DC61-02463A	FIXER-CONDENSER; SDC18809,PP,SKY BLUE,D10	SNA	2
14-2	3		DC61-03631A	CASE FILTER; DV-F500E,PP,T2.5,KT GRAY,-,B	SNA	1
14-3	3		DC62-00280C	SEAL CONDENSER; DV-F500E,TPE,KT GRAY,-,L7	SA	1
14-4	3		DC62-00376A	SEAL DUCT; DV-F500E,PU-FOAM,BLACK,-,T15	SA	1
14-5	3		DC63-01613A	FILTER GUIDE-UP; DV-F500E,PP,T2.5,KT GRAY	SNA	1
14-6	3		DC63-01614A	FILTER GUIDE; DV-F500E,PP,T2.5,KT GRAY	SNA	1
14-7	3	WE0110	DC66-90008C	MAGNET-R.S; FERRITE,SEW-PM100,T5,W8,L20	SNA	1

# 6. ASSY DRAWER

## Exploded View

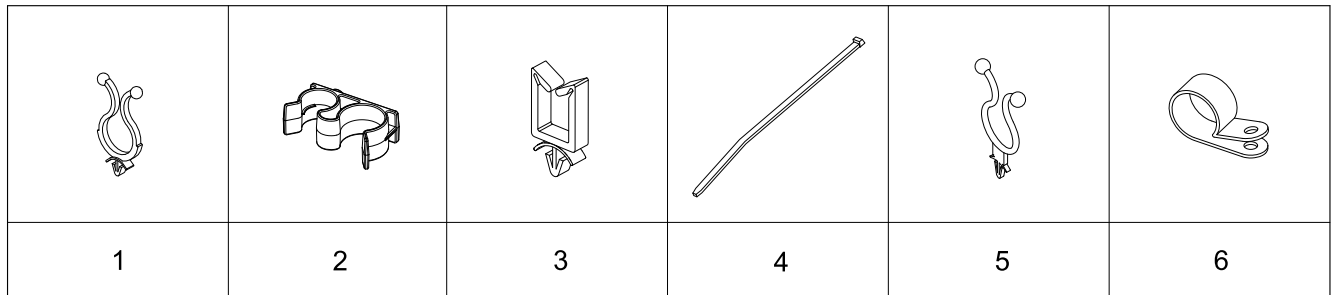


## Parts List

No.	Lvl.	Loc.	Material Code	Description & Specification	SNA	Qty.
0	1	WR0005	DC90-13383A	ASSY DRAWER; DV-F500E 9KG	SNA	1
1	2	WH0023	DC97-15757F	ASSY HOSE DRAIN; DV-F500E,DV90D5E5HGW,GRA	SA	1
2	2	WR0005	DC97-17450A	ASSY DRAWER; DV-F500E,DV90F5E6HGW	SA	1
2-1	3		DC61-03644A	BODY TANK WATER; DV90D5E5HGW,PP,NATURAL	SNA	1
2-2	3		DC61-03645A	BODY TANK WATER-UP; DV90D5E5HGW,PP,NATURA	SNA	1
2-3	3	WC0120	DC64-02950A	PANEL DRAWER; DV90D5E5HGW,ABS,-,HG-0760GP	SA	1
3	2	WR0008	DC97-17451A	ASSY HOUSING DRAWER; DV-F500E,DV90F5E6HGW	SNA	1
3-1	3		DC61-03647A	HOUSING DRAWER; DV90D5E5HGW,PP,T2.5,NATUR	SA	1
3-2	3	WH0023	DC97-15757E	ASSY HOSE DRAIN; DV-F500E,DV90D5E5HGW,GRA	SA	1

## 7. Small Parts

### Exploded View



### Parts List

No.	Lvl.	Loc.	Material Code	Description & Specification	SNA	Qty.
1	2	WI0293	DC61-40081A	HOLDER-WIRE; DAWH-2NC,PA,-,NATURAL,-	SA	2
2	2	WJ5055	DC65-00026A	CLAMPER HOSE-FIX; SDC18809,PP,BJ350,NTR	SA	1
3	3	WI0294	DC61-00553B	HOLDER-WIRE SADDLE; PA,NTR,NYLON66	SA	1
4	2	WJ0021	DC65-10001A	CABLE TIE; PVC	SNA	1
5	2		6502-000127	CABLE CLAMP; DAWH-18NB,ID15,-,NYLON66,NTR	SNA	2
6	2	WX0599	6502-000168	CABLE CLAMP; DA-6N,ID10.0,T1.0,NYLON6/6,N	SNA	1