

z_loc	z_parts_code	parts_name	parts_descr	remark	z_loc	z_parts_code	parts_name	parts_descr	remark
R540	RD-AZ471J-	R CARBON FILM	1/6 470 OHM J		R823	85801065GY	WIRE COPPER	AWG22 1/0.65 TIN COATING	
R541	RN-AZ3902F	R METAL FILM	1/6 39K OHM F		R829	RD-AZ103J-	R CARBON FILM	1/6 10K OHM J	
R542	RD-AZ682J-	R CARBON FILM	1/6 6.8K OHM J		R830	RD-AZ332J-	R CARBON FILM	1/6 3.3K OHM J	
R543	RD-AZ222J-	R CARBON FILM	1/6 2.2K OHM J		R840	85801065GY	WIRE COPPER	AWG22 1/0.65 TIN COATING	
R544	RD-AZ222J-	R CARBON FILM	1/6 2.2K OHM J		R841	RD-2Z479J-	R CARBON FILM	1/2 4.7 OHM J	
R545	RD-AZ473J-	R CARBON FILM	1/6 47K OHM J		R842	85801065GY	WIRE COPPER	AWG22 1/0.65 TIN COATING	
R546	RD-AZ181J-	R CARBON FILM	1/6 180 OHM J		R850	85801065GY	WIRE COPPER	AWG22 1/0.65 TIN COATING	
R547	RD-AZ563J-	R CARBON FILM	1/6 56K OHM J		R870	RD-2Z222J-	R CARBON FILM	1/2 2.2K OHM J	
R551	RD-AZ823J-	R CARBON FILM	1/6 82K OHM J		R901	RD-AZ561J-	R CARBON FILM	1/6 560 OHM J	
R552	RD-AZ103J-	R CARBON FILM	1/6 10K OHM J		R910	RD-AZ101J-	R CARBON FILM	1/6 100 OHM J	
R553	RD-AZ103J-	R CARBON FILM	1/6 10K OHM J		R911	RD-AZ101J-	R CARBON FILM	1/6 100 OHM J	
R554	RD-AZ103J-	R CARBON FILM	1/6 10K OHM J		R912	RD-AZ101J-	R CARBON FILM	1/6 100 OHM J	
R555	RD-AZ103J-	R CARBON FILM	1/6 10K OHM J		R913	RC-2Z102K-	R CARBON COMP	1/2 1K OHM K	
R556	RD-AZ101J-	R CARBON FILM	1/6 100 OHM J		R914	RC-2Z102K-	R CARBON COMP	1/2 1K OHM K	
R557	RD-AZ101J-	R CARBON FILM	1/6 100 OHM J		R915	RC-2Z102K-	R CARBON COMP	1/2 1K OHM K	
R558	RD-AZ152J-	R CARBON FILM	1/6 1.5K OHM J		R921	RD-AZ221J-	R CARBON FILM	1/6 220 OHM J	
R559	RD-AZ222J-	R CARBON FILM	1/6 2.2K OHM J		R922	RD-AZ221J-	R CARBON FILM	1/6 220 OHM J	
R560	RD-AZ222J-	R CARBON FILM	1/6 2.2K OHM J		R923	RD-AZ221J-	R CARBON FILM	1/6 220 OHM J	
R561	RD-AZ101J-	R CARBON FILM	1/6 100 OHM J		R996	RD-2Z105J-	R CARBON FILM	1/2 1M OHM J	
R562	RD-AZ101J-	R CARBON FILM	1/6 100 OHM J		R997	RD-2Z102J-	R CARBON FILM	1/2 1K OHM J	
R563	RD-AZ101J-	R CARBON FILM	1/6 100 OHM J		RA02	RD-AZ101J-	R CARBON FILM	1/6 100 OHM J	
R564	RD-AZ101J-	R CARBON FILM	1/6 100 OHM J		RA03	RD-AZ101J-	R CARBON FILM	1/6 100 OHM J	
R565	RD-AZ154J-	R CARBON FILM	1/6 150K OHM J		RA04	RD-AZ101J-	R CARBON FILM	1/6 100 OHM J	
R566	RD-AZ103J-	R CARBON FILM	1/6 10K OHM J		RA05	RD-AZ103J-	R CARBON FILM	1/6 10K OHM J	
R567	RD-AZ103J-	R CARBON FILM	1/6 10K OHM J		RA06	RD-AZ750J-	R CARBON FILM	1/6 75 OHM J	
R568	RD-AZ103J-	R CARBON FILM	1/6 10K OHM J		RA07	RD-AZ332J-	R CARBON FILM	1/6 3.3K OHM J	
R569	RD-AZ103J-	R CARBON FILM	1/6 10K OHM J		RA08	RD-AZ750J-	R CARBON FILM	1/6 75 OHM J	
R571	RD-AZ102J-	R CARBON FILM	1/6 1K OHM J		RA09	RD-AZ750J-	R CARBON FILM	1/6 75 OHM J	
R572	RD-AZ103J-	R CARBON FILM	1/6 10K OHM J		RA10	RD-AZ470J-	R CARBON FILM	1/6 47 OHM J	
R573	RD-AZ103J-	R CARBON FILM	1/6 10K OHM J		RA11	RD-AZ680J-	R CARBON FILM	1/6 68 OHM J	
R574	RD-AZ103J-	R CARBON FILM	1/6 10K OHM J		RA12	RD-AZ102J-	R CARBON FILM	1/6 1K OHM J	
R575	RD-AZ103J-	R CARBON FILM	1/6 10K OHM J		RA13	RD-AZ222J-	R CARBON FILM	1/6 2.2K OHM J	
R576	RD-AZ102J-	R CARBON FILM	1/6 1K OHM J		RA14	RD-AZ220J-	R CARBON FILM	1/6 22 OHM J	
R577	RD-AZ102J-	R CARBON FILM	1/6 1K OHM J		RA15	RD-AZ750J-	R CARBON FILM	1/6 75 OHM J	
R578	RD-AZ102J-	R CARBON FILM	1/6 1K OHM J		RA16	RD-AZ750J-	R CARBON FILM	1/6 75 OHM J	
R579	RD-AZ101J-	R CARBON FILM	1/6 100 OHM J		RA17	RD-AZ103J-	R CARBON FILM	1/6 10K OHM J	
R580	RD-AZ123J-	R CARBON FILM	1/6 12K OHM J		RA18	RD-AZ332J-	R CARBON FILM	1/6 3.3K OHM J	
R581	RD-AZ101J-	R CARBON FILM	1/6 100 OHM J		RA19	RD-AZ750J-	R CARBON FILM	1/6 75 OHM J	
R582	RD-AZ101J-	R CARBON FILM	1/6 100 OHM J		RA23	RD-AZ220J-	R CARBON FILM	1/6 22 OHM J	
R583	RD-AZ101J-	R CARBON FILM	1/6 100 OHM J		RA24	RD-AZ222J-	R CARBON FILM	1/6 2.2K OHM J	
R584	RD-AZ101J-	R CARBON FILM	1/6 100 OHM J		RA25	RD-AZ102J-	R CARBON FILM	1/6 1K OHM J	
R585	RD-AZ101J-	R CARBON FILM	1/6 100 OHM J		RA29	RD-AZ101J-	R CARBON FILM	1/6 100 OHM J	
R586	RD-AZ101J-	R CARBON FILM	1/6 100 OHM J		RA32	RD-AZ470J-	R CARBON FILM	1/6 47 OHM J	
R587	RD-AZ101J-	R CARBON FILM	1/6 100 OHM J		RA35	RD-AZ750J-	R CARBON FILM	1/6 75 OHM J	
R588	RD-AZ102J-	R CARBON FILM	1/6 1K OHM J		ZZ140	PTPKCPY28A8F	PACKING AS	DTY-28A8FZF	
R589	RD-AZ102J-	R CARBON FILM	1/6 1K OHM J		M681	2TP06575CL	TAPE OPP	T0.065XW75X500M CLEAR	
R590	RD-AZ334J-	R CARBON FILM	1/6 330K OHM J		M801	GPBBW5B1122	BOX	DTE-28B1 (NEW)	
R598	RD-AZ182J-	R CARBON FILM	1/6 1.8K OHM J		M811	4858199C01UP	PAD UP	EPS 28A8	
R599	RD-AZ224J-	R CARBON FILM	1/6 220K OHM J		M811A	4858199C01DN	PAD DOWN	EPS 28A8	
R601	RD-AZ152J-	R CARBON FILM	1/6 1.5K OHM J		M822	4858215601	BAG P.E.	*PE FOAM T0.5X1600X1270 25"-28"	*
R602	RD-AZ104J-	R CARBON FILM	1/6 100 OHM J						
R608	RD-2Z151J-	R CARBON FILM	1/2 150 OHM J						
R609	RD-2Z151J-	R CARBON FILM	1/2 150 OHM J						
R610	RD-AZ103J-	R CARBON FILM	1/6 10K OHM J						
R611	RD-AZ474J-	R CARBON FILM	1/6 470K OHM J						
R612	RD-AZ474J-	R CARBON FILM	1/6 470K OHM J						
R650	RD-AZ303J-	R CARBON FILM	1/6 30K OHM J						
R660	RD-AZ303J-	R CARBON FILM	1/6 30K OHM J						
R661	RD-AZ682J-	R CARBON FILM	1/6 6.8K OHM J						
R662	RD-AZ682J-	R CARBON FILM	1/6 6.8K OHM J						
R700	RD-2Z332J-	R CARBON FILM	1/2 3.3K OHM J						
R713	RD-AZ681J-	R CARBON FILM	1/6 680 OHM J						
R720	RD-AZ122J-	R CARBON FILM	1/6 1.2K OHM J						
R721	RD-AZ181J-	R CARBON FILM	1/6 180 OHM J						
R722	RD-AZ221J-	R CARBON FILM	1/6 220 OHM J						
R723	RD-AZ331J-	R CARBON FILM	1/6 330 OHM J						
R724	RD-AZ471J-	R CARBON FILM	1/6 470 OHM J						
R805	RD-2Z100J-	R CARBON FILM	1/2 10 OHM J						
R806	RD-2Z472J-	R CARBON FILM	1/2 4.7K OHM J						
R807	RD-2Z272J-	R CARBON FILM	1/2 2.7K OHM J						
R808	RD-2Z821J-	R CARBON FILM	1/2 820 OHM J						
R810	RD-4Z102J-	R CARBON FILM	1/4 1K OHM J						
R811	RC-2Z565KP	R CARBON COMP	1/2 5.6M OHM K						
R812	RD-4Z473J-	R CARBON FILM	1/4 47K OHM J						
R813	RD-4Z473J-	R CARBON FILM	1/4 47K OHM J						
R814	RD-AZ472J-	R CARBON FILM	1/6 4.7K OHM J						
R815	RD-AZ472J-	R CARBON FILM	1/6 4.7K OHM J						
R816	RD-4Z399J-	R CARBON FILM	1/4 3.9 OHM J						
R817	RD-AZ473J-	R CARBON FILM	1/6 47K OHM J						
R820	RD-AZ102J-	R CARBON FILM	1/6 1K OHM J						
R821	RD-4Z102J-	R CARBON FILM	1/4 1K OHM J						

z_loc	z_parts_code	parts_name	parts_descr	remark	z_loc	z_parts_code	parts_name	parts_descr	remark
E30	4856310300	EYE LET	BSR T0.2 (R1.6)		C549	CMXL1J474J	C MYLAR	63V 0.47MF MKT	
E31	4856310300	EYE LET	BSR T0.2 (R1.6)		C552	CMXL1J474J	C MYLAR	63V 0.47MF MKT	
E32	4856310300	EYE LET	BSR T0.2 (R1.6)		C553	CMXL1J474J	C MYLAR	63V 0.47MF MKT	
E33	4856310300	EYE LET	BSR T0.2 (R1.6)		C554	CMXL1J474J	C MYLAR	63V 0.47MF MKT	
E34	4856310300	EYE LET	BSR T0.2 (R1.6)		C556	CCXB1H102K	C CERA	50V B 1000PF K (TAPPING)	
E35	4856310300	EYE LET	BSR T0.2 (R1.6)		C558	CBXF1H104Z	C CERA SEMI	50V F 0.1MF Z (TAPPING)	
E36	4856310300	EYE LET	BSR T0.2 (R1.6)		C560	CEXF1H229V	C ELECTRO	50V RSS 2.2MF (5X11) TP	
E37	4856310300	EYE LET	BSR T0.2 (R1.6)		C561	CEXF1H229V	C ELECTRO	50V RSS 2.2MF (5X11) TP	
E38	4856310300	EYE LET	BSR T0.2 (R1.6)		C562	CMXM2A104J	C MYLAR	100V 0.1MF J TP	
E42	4856310300	EYE LET	BSR T0.2 (R1.6)		C563	CEXF1H100V	C ELECTRO	50V RSS 10MF (5X11) TP	
E43	4856310300	EYE LET	BSR T0.2 (R1.6)		C567	CEXF1H100V	C ELECTRO	50V RSS 10MF (5X11) TP	
E44	4856310300	EYE LET	BSR T0.2 (R1.6)		C568	CBXF1H104Z	C CERA SEMI	50V F 0.1MF Z (TAPPING)	
E47	4856310300	EYE LET	BSR T0.2 (R1.6)		C569	CEXF1E470V	C ELECTRO	25V RSS 47MF (5X11) TP	
E48	4856310300	EYE LET	BSR T0.2 (R1.6)		C574	CMXL1J224J	C MYLAR	63V MEU 0.22MF J TP	
E49	4856310300	EYE LET	BSR T0.2 (R1.6)		C576	CMXL1J224J	C MYLAR	63V MEU 0.22MF J TP	
E50	4856310300	EYE LET	BSR T0.2 (R1.6)		C577	CEXF1E470V	C ELECTRO	25V RSS 47MF (5X11) TP	
E51	4856310300	EYE LET	BSR T0.2 (R1.6)		C579	CCXB1H102K	C CERA	50V B 1000PF K (TAPPING)	
E54	4856310300	EYE LET	BSR T0.2 (R1.6)		C581	CMXL1J224J	C MYLAR	63V MEU 0.22MF J TP	
E55	4856310300	EYE LET	BSR T0.2 (R1.6)		C582	CEXF1C101V	C ELECTRO	16V RSS 100MF (6.3X11.5) TP	
E56	4856310600	EYE LET	BSR 2.3(R2.3)		C602	CEXF1C221V	C ELECTRO	16V RSS 220MF (8X11.5) TP	
E57	4856310600	EYE LET	BSR 2.3(R2.3)		C608	CCXB1H222K	C CERA	50V B 2200PF K (TAPPING)	
ZZ200	PTMPJ2C20T2FS	PCB CHIP MOUNT B AS	DTC-20T2FZS		C609	CCXB1H222K	C CERA	50V B 2200PF K (TAPPING)	
I501	1TDA20HB01	IC MICOM FLASH	TDA12020H1/N1 B01		C625	CEXF1H479V	C ELECTRO	50V RSS 4.7MF (5*11) TP	
ZZ200	PTMPJRC20T2FS	PCB MAIN RADIAL AS	DTC-20T2FZS		C660	CEXF1H100V	C ELECTRO	50V RSS 10MF (5X11) TP	
C102	CEXF1E470V	C ELECTRO	25V RSS 47MF (5X11) TP		C661	CMXM2A224J	C MYLAR	100V 0.22MF J BULK	
C104	CCXB1H102K	C CERA	50V B 1000PF K (TAPPING)		C662	CMXM2A224J	C MYLAR	100V 0.22MF J BULK	
C106	CEXF1E470V	C ELECTRO	25V RSS 47MF (5X11) TP		C665	CCXB1H472K	C CERA	50V B 4700PF K (TAPPING)	
C121	CEXF1H100V	C ELECTRO	50V RSS 10MF (5X11) TP		C666	CBXF1H104Z	C CERA SEMI	50V F 0.1MF Z (TAPPING)	
C122	CEXF1H100V	C ELECTRO	50V RSS 10MF (5X11) TP		C667	CCXB1H472K	C CERA	50V B 4700PF K (TAPPING)	
C305	CEXF1E221V	C ELECTRO	25V RSS 220MF (8X11.5) TP		C668	CMXM2A224J	C MYLAR	100V 0.22MF J BULK	
C313	CMXM2A104J	C MYLAR	100V 0.1MF J TP		C669	CMXM2A224J	C MYLAR	100V 0.22MF J BULK	
C320	CBXF1H104Z	C CERA SEMI	50V F 0.1MF Z (TAPPING)		C690	CEXF1H479V	C ELECTRO	50V RSS 4.7MF (5*11) TP	
C350	CCXF1H473Z	C CERA	50V F 0.047MF Z (TAPPING)		C691	CEXF1H479V	C ELECTRO	50V RSS 4.7MF (5*11) TP	
C351	CCXF1H473Z	C CERA	50V F 0.047MF Z (TAPPING)		C770	CEXF1C101V	C ELECTRO	16V RSS 100MF (6.3X11) TP	
C370	CCXF1H473Z	C CERA	50V F 0.047MF Z (TAPPING)		C803	CCXF3A472Z	C CERA	1KV F 4700PF Z (T)	
C401	CEXF1H101V	C ELECTRO	50V RSS 100MF (8*11.5) TP		C804	CCXF3A472Z	C CERA	1KV F 4700PF Z (T)	
C412	CEXF2C339V	C ELECTRO	160V RSS 3.3MF (8X16) TP		C806	CEXF1H220V	C ELECTRO	50V RSS 22MF (5X11) TP	
C414	CMXM2A104J	C MYLAR	100V 0.1MF J TP		C807	CMXL1J104J	C MYLAR	63V MEU 0.1MF J	
C418	CCXB1H102K	C CERA	50V B 1000PF K (TAPPING)		C808	CEXF1H100V	C ELECTRO	50V RSS 10MF (5X11) TP	
C420	CCXB2H222K	C CERA	500V B 2200PF K (TAPPING)		C809	CCXB1H102K	C CERA	50V B 1000PF K (TAPPING)	
C421	CCXF1H473Z	C CERA	50V F 0.047MF Z (TAPPING)		C821	CCXB1H102K	C CERA	50V B 1000PF K (TAPPING)	
C501	CEXF1C470V	C ELECTRO	16V RSS 47MF (5X11) TP		C824	CCXB3A471K	C CERA	1KV B 470PF K (T)	
C502	CEXF1C470V	C ELECTRO	16V RSS 47MF (5X11) TP		C831	CCXB3A471K	C CERA	1KV B 470PF K (T)	
C505	CMXL1J224J	C MYLAR	63V MEU 0.22MF J TP		C835	CEXF1E470V	C ELECTRO	25V RSS 47MF (5X11) TP	
C507	CMXL1J224J	C MYLAR	63V MEU 0.22MF J TP		C844	CEXF1E101V	C ELECTRO	25V RSS 100MF (6.3X11) TP	
C508	CEXF1C470V	C ELECTRO	16V RSS 47MF (5X11) TP		C850	CCXB1H821K	C CERA	50V B 820PF K (TAPPING)	
C509	CMXL1J224J	C MYLAR	63V MEU 0.22MF J TP		C862	CEXF1E101V	C ELECTRO	25V RSS 100MF (6.3X11) TP	
C510	CEXF1E101V	C ELECTRO	25V RSS 100MF (6.3X11) TP		C863	CEXF1E101V	C ELECTRO	25V RSS 100MF (6.3X11) TP	
C511	CCXB1H102K	C CERA	50V B 1000PF K (TAPPING)		C901	CCXB1H561K	C CERA	50V B 560PF K (TAPPING)	
C513	CMXL1J224J	C MYLAR	63V MEU 0.22MF J TP		C968	CMXL2E104K	C MYLAR	250V 0.1MF K MEU TP	
C514	CCXB1H102K	C CERA	50V B 1000PF K (TAPPING)		CA10	CCXB1H102K	C CERA	50V B 1000PF K (TAPPING)	
C515	CMXL1J224J	C MYLAR	63V MEU 0.22MF J TP		F801A	4857415001	CLIP FUSE	PFC5000-0702	
C516	CMXL1J224J	C MYLAR	63V MEU 0.22MF J TP		F801B	4857415001	CLIP FUSE	PFC5000-0702	
C517	CEXF1C101V	C ELECTRO	16V RSS 100MF (6.3X11) TP		L517	5CPX479K—	COIL PEAKING	4.7UH K RADIAL	
C518	CBXF1H104Z	C CERA SEMI	50V F 0.1MF Z (TAPPING)		L518	5CPX479K—	COIL PEAKING	4.7UH K RADIAL	
C519	CMXL1J224J	C MYLAR	63V MEU 0.22MF J TP		L519	5CPX479K—	COIL PEAKING	4.7UH K RADIAL	
C520	CEXF1H229V	C ELECTRO	50V RSS 2.2MF (5X11) TP		Q120	T2SC5343Y-	TR	2SC5343Y	
C521	CCXB1H222K	C CERA	50V B 2200PF K (TAPPING)		Q402	T2SD1207T-	TR	2SD1207-T (TAPPING)	
C522	CBXF1H104Z	C CERA SEMI	50V F 0.1MF Z (TAPPING)		Q501	T2SC5343Y-	TR	2SC5343Y	
C524	CMXM2A682J	C MYLAR	100V 6800PF J TP		Q502	T2SA1980Y-	TR	2SA1980Y	
C525	CEXF1H109V	C ELECTRO	50V RSS 1MF (5X11) TP		Q503	T2SC5343Y-	TR	2SC5343Y	
C526	CMXL1J224J	C MYLAR	63V MEU 0.22MF J TP		Q504	T2SA1980Y-	TR	2SA1980Y	
C527	CEXF1H100V	C ELECTRO	50V RSS 10MF (5X11) TP		Q506	T2SC5343Y-	TR	2SC5343Y	
C528	CCXF1H223Z	C CERA	50V F 0.022MF Z (TAPPING)		Q507	T2SA1980Y-	TR	2SA1980Y	
C529	CMXL1J154J	C MYLAR	63V MEU 0.15MF J		Q508	T2SC5343Y-	TR	2SC5343Y	
C534	CEXF1H229V	C ELECTRO	50V RSS 2.2MF (5X11) TP		Q513	T2SA1980Y-	TR	2SA1980Y	
C535	CMXL1J474J	C MYLAR	63V 0.47MF MKT		Q514	TH2N7000—	TR	H2N7000	
C536	CMXL1J474J	C MYLAR	63V 0.47MF MKT		Q515	TH2N7000—	TR	H2N7000	
C537	CEXF1H229V	C ELECTRO	50V RSS 2.2MF (5X11) TP		Q601	T2SC5343Y-	TR	2SC5343Y	
C538	CEXF1H229V	C ELECTRO	50V RSS 2.2MF (5X11) TP		Q602	T2SA1980Y-	TR	2SA1980Y	
C539	CMXM2A332J	C MYLAR	100V 3300PF J TP		Q807	T2SC5343Y-	TR	2SC5343Y	
C540	CMXM2A473J	C MYLAR	100V 0.047MF J TP		Q808	T2SC5343Y-	TR	2SC5343Y	
C542	CEXF1H100V	C ELECTRO	50V RSS 10MF (5X11) TP		Q809	T2SC5343Y-	TR	2SC5343Y	
C543	CEXF1H229V	C ELECTRO	50V RSS 2.2MF (5X11) TP		Q810	T2SC5343Y-	TR	2SC5343Y	
C545	CEXF1H229V	C ELECTRO	50V RSS 2.2MF (5X11) TP		Q811	T2SC5343Y-	TR	2SC5343Y	
C547	CEXF1H100V	C ELECTRO	50V RSS 10MF (5X11) TP		Q813	T2SA1980Y-	TR	2SA1980Y	
C548	CEXF1H100V	C ELECTRO	50V RSS 10MF (5X11) TP		Q814	T2SC5343Y-	TR	2SC5343Y	

z_loc	z_parts_code	parts_name	parts_descr	remark	z_loc	z_parts_code	parts_name	parts_descr	remark
J39	85801065GY	WIRE COPPER	AWG22 1/0.65 TIN COATING		R104	RD-AZ683J	R CARBON FILM	1/6 68K OHM J	
J4	85801065GY	WIRE COPPER	AWG22 1/0.65 TIN COATING		R105	RD-AZ103J	R CARBON FILM	1/6 10K OHM J	
J40	85801065GY	WIRE COPPER	AWG22 1/0.65 TIN COATING		R106	RD-AZ101J	R CARBON FILM	1/6 100 OHM J	
J41	85801065GY	WIRE COPPER	AWG22 1/0.65 TIN COATING		R107	RD-AZ101J	R CARBON FILM	1/6 100 OHM J	
J42	85801065GY	WIRE COPPER	AWG22 1/0.65 TIN COATING		R114	RD-AZ473J	R CARBON FILM	1/6 47K OHM J	
J43	85801065GY	WIRE COPPER	AWG22 1/0.65 TIN COATING		R115	RD-AZ101J	R CARBON FILM	1/6 100 OHM J	
J44	85801065GY	WIRE COPPER	AWG22 1/0.65 TIN COATING		R120	RD-AZ101J	R CARBON FILM	1/6 100 OHM J	
J45	85801065GY	WIRE COPPER	AWG22 1/0.65 TIN COATING		R131	RD-AZ472J	R CARBON FILM	1/6 4.7K OHM J	
J46	85801065GY	WIRE COPPER	AWG22 1/0.65 TIN COATING		R310	RD-AZ471J	R CARBON FILM	1/6 470 OHM J	
J47	85801065GY	WIRE COPPER	AWG22 1/0.65 TIN COATING		R311	RD-AZ471J	R CARBON FILM	1/6 470 OHM J	
J48	85801065GY	WIRE COPPER	AWG22 1/0.65 TIN COATING		R331	RD-Z2201J	R CARBON FILM	1/2 200 OHM J	
J49	85801065GY	WIRE COPPER	AWG22 1/0.65 TIN COATING		R340	RD-4Z473J	R CARBON FILM	1/4 47K OHM J	
J5	85801065GY	WIRE COPPER	AWG22 1/0.65 TIN COATING		R350	RN-AZ2001F	R METAL FILM	1/4 2K OHM F	
J50	RD-AZ101J	R CARBON FILM	1/6 100 OHM J		R351	RN-AZ2001F	R METAL FILM	1/4 2K OHM F	
J500	85801065GY	WIRE COPPER	AWG22 1/0.65 TIN COATING		R370	RD-4Z159J	R CARBON FILM	1/4 1.5 OHM J	
J51	85801065GY	WIRE COPPER	AWG22 1/0.65 TIN COATING		R394	RD-AZ272J	R CARBON FILM	1/6 2.7K OHM J	
J52	85801065GY	WIRE COPPER	AWG22 1/0.65 TIN COATING		R395	RD-4Z394J	R CARBON FILM	1/4 390K OHM J	
J54	85801065GY	WIRE COPPER	AWG22 1/0.65 TIN COATING		R396	RD-AZ103J	R CARBON FILM	1/6 10K OHM J	
J56	85801065GY	WIRE COPPER	AWG22 1/0.65 TIN COATING		R401	RD-4Z272J	R CARBON FILM	1/4 2.7K OHM J	
J57	85801065GY	WIRE COPPER	AWG22 1/0.65 TIN COATING		R403	RD-4Z102J	R CARBON FILM	1/4 1K OHM J	
J58	85801065GY	WIRE COPPER	AWG22 1/0.65 TIN COATING		R404	RD-4Z399J	R CARBON FILM	1/4 3.9 OHM J	
J59	85801065GY	WIRE COPPER	AWG22 1/0.65 TIN COATING		R405	RD-4Z102J	R CARBON FILM	1/4 1K OHM J	
J6	85801065GY	WIRE COPPER	AWG22 1/0.65 TIN COATING		R407	RD-4Z182J	R CARBON FILM	1/4 1.8K OHM J	
J60	85801065GY	WIRE COPPER	AWG22 1/0.65 TIN COATING		R420	RD-4Z103J	R CARBON FILM	1/4 10K OHM J	
J61	85801065GY	WIRE COPPER	AWG22 1/0.65 TIN COATING		R422	RD-4Z102J	R CARBON FILM	1/4 1K OHM J	
J62	85801065GY	WIRE COPPER	AWG22 1/0.65 TIN COATING		R423	RD-4Z262J	R CARBON FILM	1/4 6.2K OHM J	
J63	85801065GY	WIRE COPPER	AWG22 1/0.65 TIN COATING		R500	RD-AZ101J	R CARBON FILM	1/6 100 OHM J	
J64	85801065GY	WIRE COPPER	AWG22 1/0.65 TIN COATING		R501	RD-AZ332J	R CARBON FILM	1/6 3.3K OHM J	
J65	85801065GY	WIRE COPPER	AWG22 1/0.65 TIN COATING		R502	RD-AZ332J	R CARBON FILM	1/6 3.3K OHM J	
J66	85801065GY	WIRE COPPER	AWG22 1/0.65 TIN COATING		R503	RD-AZ102J	R CARBON FILM	1/6 1K OHM J	
J67	85801065GY	WIRE COPPER	AWG22 1/0.65 TIN COATING		R504	RD-AZ472J	R CARBON FILM	1/6 4.7K OHM J	
J68	85801065GY	WIRE COPPER	AWG22 1/0.65 TIN COATING		R505	RD-AZ101J	R CARBON FILM	1/6 100 OHM J	
J69	85801065GY	WIRE COPPER	AWG22 1/0.65 TIN COATING		R506	RD-AZ103J	R CARBON FILM	1/6 10K OHM J	
J7	RD-AZ101J	R CARBON FILM	1/6 100 OHM J		R507	RD-AZ332J	R CARBON FILM	1/6 3.3K OHM J	
J70	85801065GY	WIRE COPPER	AWG22 1/0.65 TIN COATING		R508	RD-AZ332J	R CARBON FILM	1/6 3.3K OHM J	
J71	85801065GY	WIRE COPPER	AWG22 1/0.65 TIN COATING		R510	RD-AZ103J	R CARBON FILM	1/6 10K OHM J	
J72	85801065GY	WIRE COPPER	AWG22 1/0.65 TIN COATING		R511	RD-AZ103J	R CARBON FILM	1/6 10K OHM J	
J73	85801065GY	WIRE COPPER	AWG22 1/0.65 TIN COATING		R514	RD-AZ101J	R CARBON FILM	1/6 100 OHM J	
J74	85801065GY	WIRE COPPER	AWG22 1/0.65 TIN COATING		R515	RD-AZ101J	R CARBON FILM	1/6 100 OHM J	
J76	RD-AZ202J	R CARBON FILM	1/6 2K OHM J		R516	RD-AZ153J	R CARBON FILM	1/6 15K OHM J	
J78	RD-AZ101J	R CARBON FILM	1/6 100 OHM J		R517	RD-AZ101J	R CARBON FILM	1/6 100 OHM J	
J80	85801065GY	WIRE COPPER	AWG22 1/0.65 TIN COATING		R518	RD-AZ101J	R CARBON FILM	1/6 100 OHM J	
J800	85801065GY	WIRE COPPER	AWG22 1/0.65 TIN COATING		R519	RD-AZ102J	R CARBON FILM	1/6 1K OHM J	
J81	85801065GY	WIRE COPPER	AWG22 1/0.65 TIN COATING		R527	RD-AZ101J	R CARBON FILM	1/6 100 OHM J	
J82	85801065GY	WIRE COPPER	AWG22 1/0.65 TIN COATING		R528	RD-AZ101J	R CARBON FILM	1/6 100 OHM J	
J83	RD-AZ101J	R CARBON FILM	1/6 100 OHM J		R529	RD-AZ101J	R CARBON FILM	1/6 100 OHM J	
J84	RD-AZ101J	R CARBON FILM	1/6 100 OHM J		R530	RD-AZ101J	R CARBON FILM	1/6 100 OHM J	
J86	85801065GY	WIRE COPPER	AWG22 1/0.65 TIN COATING		R531	RD-AZ181J	R CARBON FILM	1/6 180 OHM J	
J87	85801065GY	WIRE COPPER	AWG22 1/0.65 TIN COATING		R532	RD-AZ102J	R CARBON FILM	1/6 1K OHM J	
J88	85801065GY	WIRE COPPER	AWG22 1/0.65 TIN COATING		R533	RD-AZ102J	R CARBON FILM	1/6 1K OHM J	
J89	85801065GY	WIRE COPPER	AWG22 1/0.65 TIN COATING		R534	RD-AZ472J	R CARBON FILM	1/6 4.7K OHM J	
J90	85801065GY	WIRE COPPER	AWG22 1/0.65 TIN COATING		R537	RD-AZ183J	R CARBON FILM	1/6 18K OHM J	
J91	85801065GY	WIRE COPPER	AWG22 1/0.65 TIN COATING		R538	RD-AZ101J	R CARBON FILM	1/6 100 OHM J	
J92	85801065GY	WIRE COPPER	AWG22 1/0.65 TIN COATING		R539	RD-AZ471J	R CARBON FILM	1/6 470 OHM J	
J94	85801065GY	WIRE COPPER	AWG22 1/0.65 TIN COATING		R540	RD-AZ471J	R CARBON FILM	1/6 470 OHM J	
J95	85801065GY	WIRE COPPER	AWG22 1/0.65 TIN COATING		R541	RN-AZ3902F	R METAL FILM	1/6 39K OHM F	
J96	85801065GY	WIRE COPPER	AWG22 1/0.65 TIN COATING		R542	RD-AZ682J	R CARBON FILM	1/6 6.8K OHM J	
J97	85801065GY	WIRE COPPER	AWG22 1/0.65 TIN COATING		R543	RD-AZ222J	R CARBON FILM	1/6 2.2K OHM J	
J98	85801065GY	WIRE COPPER	AWG22 1/0.65 TIN COATING		R544	RD-AZ222J	R CARBON FILM	1/6 2.2K OHM J	
J99	85801065GY	WIRE COPPER	AWG22 1/0.65 TIN COATING		R545	RD-AZ473J	R CARBON FILM	1/6 47K OHM J	
L101	5CPZ100K02	COIL PEAKING	10UH 3.5MM K (LAL02TB)		R546	RD-AZ181J	R CARBON FILM	1/6 180 OHM J	
L350	5CPZ109M04	COIL PEAKING	1UH 10.5MM M (LAL04TB)		R547	RD-AZ563J	R CARBON FILM	1/6 56K OHM J	
L351	5CPZ109M04	COIL PEAKING	1UH 10.5MM M (LAL04TB)		R551	RD-AZ283J	R CARBON FILM	1/6 82K OHM J	
L505	5CPZ479K02	COIL PEAKING	4.7UH 3.5MM K (LAL02TB)		R552	RD-AZ103J	R CARBON FILM	1/6 10K OHM J	
L506	5CPZ479K02	COIL PEAKING	4.7UH 3.5MM K (LAL02TB)		R553	RD-AZ103J	R CARBON FILM	1/6 10K OHM J	
L507	5CPZ479K02	COIL PEAKING	4.7UH 3.5MM K (LAL02TB)		R554	RD-AZ103J	R CARBON FILM	1/6 10K OHM J	
L508	5CPZ479K02	COIL PEAKING	4.7UH 3.5MM K (LAL02TB)		R555	RD-AZ103J	R CARBON FILM	1/6 10K OHM J	
L509	5CPZ479K02	COIL PEAKING	4.7UH 3.5MM K (LAL02TB)		R556	RD-AZ101J	R CARBON FILM	1/6 100 OHM J	
L510	5CPZ479K02	COIL PEAKING	4.7UH 3.5MM K (LAL02TB)		R557	RD-AZ101J	R CARBON FILM	1/6 100 OHM J	
L512	5CPZ479K02	COIL PEAKING	4.7UH 3.5MM K (LAL02TB)		R558	RD-AZ152J	R CARBON FILM	1/6 1.5K OHM J	
L513	5CPZ479K02	COIL PEAKING	4.7UH 3.5MM K (LAL02TB)		R559	RD-AZ222J	R CARBON FILM	1/6 2.2K OHM J	
L515	5CPZ100K02	COIL PEAKING	10UH 3.5MM K (LAL02TB)		R560	RD-AZ222J	R CARBON FILM	1/6 2.2K OHM J	
L516	5CPZ479K02	COIL PEAKING	4.7UH 3.5MM K (LAL02TB)		R561	RD-AZ101J	R CARBON FILM	1/6 100 OHM J	
L523	5CPZ479K02	COIL PEAKING	4.7UH 3.5MM K (LAL02TB)		R562	RD-AZ101J	R CARBON FILM	1/6 100 OHM J	
L801	5MC0000100	COIL BEAD	MD-5 (HC-3550)		R563	RD-AZ101J	R CARBON FILM	1/6 100 OHM J	
L801	5MC0000100	COIL BEAD	MD-5 (HC-3550)		R564	RD-AZ101J	R CARBON FILM	1/6 100 OHM J	
R103	RD-AZ123J	R CARBON FILM	1/6 12K OHM J		R565	RD-AZ154J	R CARBON FILM	1/6 15K OHM J	
					R566	RD-AZ103J	R CARBON FILM	1/6 10K OHM J	
					R567	RD-AZ103J	R CARBON FILM	1/6 10K OHM J	
					R568	RD-AZ103J	R CARBON FILM	1/6 10K OHM J	
					R569	RD-AZ103J	R CARBON FILM	1/6 10K OHM J	

z_loc	z_parts_code	parts_name	parts_descr	remark
R571	RD-AZ102J	R CARBON FILM	1/6 1K OHM J	
R572	RD-AZ103J	R CARBON FILM	1/6 10K OHM J	
R573	RD-AZ103J	R CARBON FILM	1/6 10K OHM J	
R574	RD-AZ103J	R CARBON FILM	1/6 10K OHM J	
R575	RD-AZ103J	R CARBON FILM	1/6 10K OHM J	
R576	RD-AZ102J	R CARBON FILM	1/6 1K OHM J	
R577	RD-AZ102J	R CARBON FILM	1/6 1K OHM J	
R578	RD-AZ102J	R CARBON FILM	1/6 1K OHM J	
R579	RD-AZ101J	R CARBON FILM	1/6 100 OHM J	
R580	RD-AZ123J	R CARBON FILM	1/6 12K OHM J	
R581	RD-AZ101J	R CARBON FILM	1/6 100 OHM J	
R582	RD-AZ101J	R CARBON FILM	1/6 100 OHM J	
R583	RD-AZ101J	R CARBON FILM	1/6 100 OHM J	
R584	RD-AZ101J	R CARBON FILM	1/6 100 OHM J	
R585	RD-AZ101J	R CARBON FILM	1/6 100 OHM J	
R586	RD-AZ101J	R CARBON FILM	1/6 100 OHM J	
R587	RD-AZ101J	R CARBON FILM	1/6 100 OHM J	
R588	RD-AZ102J	R CARBON FILM	1/6 1K OHM J	
R589	RD-AZ102J	R CARBON FILM	1/6 1K OHM J	
R590	RD-AZ334J	R CARBON FILM	1/6 330K OHM J	
R598	RD-AZ182J	R CARBON FILM	1/6 1.8K OHM J	
R599	RD-AZ224J	R CARBON FILM	1/6 220K OHM J	
R601	RD-AZ152J	R CARBON FILM	1/6 1.5K OHM J	
R602	RD-AZ104J	R CARBON FILM	1/6 100K OHM J	
R608	RD-2Z151J	R CARBON FILM	1/2 150 OHM J	
R609	RD-2Z151J	R CARBON FILM	1/2 150 OHM J	
R610	RD-AZ103J	R CARBON FILM	1/6 10K OHM J	
R611	RD-AZ474J	R CARBON FILM	1/6 470K OHM J	
R612	RD-AZ474J	R CARBON FILM	1/6 470K OHM J	
R650	RD-AZ513J	R CARBON FILM	1/6 51K OHM J	
R660	RD-AZ513J	R CARBON FILM	1/6 51K OHM J	
R661	RD-AZ682J	R CARBON FILM	1/6 6.8K OHM J	
R662	RD-AZ682J	R CARBON FILM	1/6 6.8K OHM J	
R700	RD-2Z332J	R CARBON FILM	1/2 3.3K OHM J	
R701	RN-AZ1002F	R METAL FILM	1/6 10K OHM F	
R702	RN-AZ1502F	R METAL FILM	1/6 15K OHM F	
R713	RD-AZ681J	R CARBON FILM	1/6 680 OHM J	
R720	RD-AZ122J	R CARBON FILM	1/6 1.2K OHM J	
R721	RD-AZ181J	R CARBON FILM	1/6 180 OHM J	
R722	RD-AZ221J	R CARBON FILM	1/6 220 OHM J	
R723	RD-AZ331J	R CARBON FILM	1/6 330 OHM J	
R724	RD-AZ471J	R CARBON FILM	1/6 470 OHM J	
R805	RD-2Z100J	R CARBON FILM	1/2 10 OHM J	
R806	RD-2Z472J	R CARBON FILM	1/2 4.7K OHM J	
R807	RD-2Z272J	R CARBON FILM	1/2 2.7K OHM J	
R808	RD-2Z821J	R CARBON FILM	1/2 820 OHM J	
R810	RD-4Z102J	R CARBON FILM	1/4 1K OHM J	
R811	RC-2Z565KP	R CARBON COMP	1/2 5.6M OHM K	
R812	RD-4Z473J	R CARBON FILM	1/4 47K OHM J	
R813	RD-4Z473J	R CARBON FILM	1/4 47K OHM J	
R814	RD-AZ472J	R CARBON FILM	1/6 4.7K OHM J	
R815	RD-AZ472J	R CARBON FILM	1/6 4.7K OHM J	
R816	RD-4Z399J	R CARBON FILM	1/4 3.9 OHM J	
R817	RD-AZ473J	R CARBON FILM	1/6 47K OHM J	
R820	RD-AZ102J	R CARBON FILM	1/6 1K OHM J	
R821	RD-4Z102J	R CARBON FILM	1/4 1K OHM J	
R823	RD-4Z622J	R CARBON FILM	1/4 6.2K OHM J	
R829	RD-AZ103J	R CARBON FILM	1/6 10K OHM J	
R830	RD-AZ332J	R CARBON FILM	1/6 3.3K OHM J	
R840	85801065GY	WIRE COPPER	AWG22 1/0.65 TIN COATING	
R841	RD-2Z479J	R CARBON FILM	1/2 4.7 OHM J	
R842	85801065GY	WIRE COPPER	AWG22 1/0.65 TIN COATING	
R850	85801065GY	WIRE COPPER	AWG22 1/0.65 TIN COATING	
R870	RD-2Z222J	R CARBON FILM	1/2 2.2K OHM J	
R901	RD-AZ561J	R CARBON FILM	1/6 560 OHM J	
R910	RD-AZ101J	R CARBON FILM	1/6 100 OHM J	
R911	RD-AZ101J	R CARBON FILM	1/6 100 OHM J	
R912	RD-AZ101J	R CARBON FILM	1/6 100 OHM J	
R913	RC-2Z102K	R CARBON COMP	1/2 1K OHM K	
R914	RC-2Z102K	R CARBON COMP	1/2 1K OHM K	
R915	RC-2Z102K	R CARBON COMP	1/2 1K OHM K	
R921	RD-AZ221J	R CARBON FILM	1/6 220 OHM J	
R922	RD-AZ221J	R CARBON FILM	1/6 220 OHM J	
R923	RD-AZ221J	R CARBON FILM	1/6 220 OHM J	
R996	RD-2Z105J	R CARBON FILM	1/2 1M OHM J	
R997	RD-2Z102J	R CARBON FILM	1/2 1K OHM J	
RA02	RD-AZ101J	R CARBON FILM	1/6 100 OHM J	
RA03	RD-AZ101J	R CARBON FILM	1/6 100 OHM J	
RA04	RD-AZ101J	R CARBON FILM	1/6 100 OHM J	
RA05	RD-AZ103J	R CARBON FILM	1/6 10K OHM J	
RA06	RD-AZ750J	R CARBON FILM	1/6 75 OHM J	

z_loc	z_parts_code	parts_name	parts_descr	remark
RA07	RD-AZ332J	R CARBON FILM	1/6 3.3K OHM J	
RA08	RD-AZ750J	R CARBON FILM	1/6 75 OHM J	
RA09	RD-AZ750J	R CARBON FILM	1/6 75 OHM J	
RA10	RD-AZ470J	R CARBON FILM	1/6 47 OHM J	
RA11	RD-AZ680J	R CARBON FILM	1/6 68 OHM J	
RA12	RD-AZ102J	R CARBON FILM	1/6 1K OHM J	
RA13	RD-AZ222J	R CARBON FILM	1/6 2.2K OHM J	
RA14	RD-AZ220J	R CARBON FILM	1/6 22 OHM J	
RA15	RD-AZ750J	R CARBON FILM	1/6 75 OHM J	
RA16	RD-AZ750J	R CARBON FILM	1/6 75 OHM J	
RA17	RD-AZ103J	R CARBON FILM	1/6 10K OHM J	
RA18	RD-AZ332J	R CARBON FILM	1/6 3.3K OHM J	
RA19	RD-AZ750J	R CARBON FILM	1/6 75 OHM J	
RA23	RD-AZ220J	R CARBON FILM	1/6 22 OHM J	
RA24	RD-AZ222J	R CARBON FILM	1/6 2.2K OHM J	
RA25	RD-AZ102J	R CARBON FILM	1/6 1K OHM J	
RA29	RD-AZ101J	R CARBON FILM	1/6 100 OHM J	
RA32	RD-AZ470J	R CARBON FILM	1/6 47 OHM J	
RA35	RD-AZ750J	R CARBON FILM	1/6 75 OHM J	
ZZ140	PTPKCPC20T2FS	PACKING AS	DTC-20T2FZS-S	
M641	6520010200	STAPLE PIN	#3417 ALL	
M801	GPBBW2T1312	BOX	20T1/72/78 UNIVERSAL (NEW)	
M811	4858179600	PAD	20T2	
M821	4858210702	BAG P.E.	PE FILM T0.05X1150X1000	

6.3 DTC-21Y1FZF-S

z_loc	z_parts_code	parts_name	parts_descr	remark	z_loc	z_parts_code	parts_name	parts_descr	remark
ZZ100	PTACPWC21Y1FS	ACCESSORY AS	DTC-21Y1FZF-S		I801A	4857024600	HEAT SINK	AL EX B/K	
12000	48B4846G2201	TRANSMITTER REMOCON	R-46G22 (AAA)		I801B	7174301211	SCREW TAPPITTE	TT2 RND 3X12 MFZN	
13000	4850Q00910	BATTERY	AAA R03/NN SUPERGARD		I804	1KP1010C—	IC PHOTO COUPLER	KP-1010C	
14000	4858213801	BAG INSTRUCTION	L. D. P. E. T. 0.05X250X40		I806	1DP110—	IC ERROR AMP	DP110	
ZZ120	PTBCSHC21Y1S	COVER BACK AS	DTC-21Y1FZF-S		I810	TX0202DA—	THYRISTOR	XQ0202DA	
M211	4852156101S	COVER BACK	21Y1 GY778A		I820	1L7805CV—	IC REGULATOR	L7805CV	
M541	4855415800	SIPLATE	150ART PIE F/EM (C/TV)		I822	1L7808CV—	IC REGULATOR	L7808CV	
M542	485580002207	LABEL SERIAL	ART 90		I823	1LD1117V33	IC REGULATOR	LD1117AV33 3.3V TO-220	
M781	4857817612	CLOTH BLACK	FELT T0.7 L=250		I824	1LD1117V50	IC REGULATOR	LD1117AV50 5.0V TO-220	
ZZ130	PTCACAC21Y1FFS	CABINET AS	DTC-21Y1FZF-S		I901	1TDA6107AJ	IC VIDEO	TDA6107AJF	
20	2193011101	SOLDER WIRE	RS 60-1.2 1.6A		I901A	4857031100	HEAT SINK	A1050P-H24 T2.0	
40	4856812001	TIE CABLE	NYLON6 DA100		I901B	7174300811	SCREW TAPPITTE	TT2 RND 3X8 MFZN	
M191	4851939401S	BUTTON CTRL AS	DTC-21Y1FZF-S		JP01	4859102130	JACK EARPHONE	YSC-1537	
M201A	4856017303	SCREW CRT FIX	5X30 L80 BK		JPA1	4859200401	SOCKET RGB	SR-21A1 (ANGLE TYPE)	
M201B	4856215402	WASHER RUBBER	20"		JPA2	4859200401	SOCKET RGB	SR-21A1 (ANGLE TYPE)	
M201C	4856017310	SCREW CRT FIX	5X30 L190 BK		JPA3	4859108450	JACK PIN BOARD	YSC03P-4120-14A	
M211A	7172401412	SCREW TAPPING	TT2 TRS 4X14 MFZN BK		L401	58H0000020	COIL H-LINEARITY	L-76(76.5UH)	
M211B	7178301011	SCREW TAPPING	TT2 WAS 3X10 MFZN		L514	5CPZ100K04	COIL PEAKING	10UH 10.5MM K (LAL04TB)	
M481	4854856501S	BUTTON POWER	21Y1 GY340A (GRAY)		L802	58C9430599	COIL CHOKE	AZ-9004Y(94MH)	
M481A	4856716000	SPRING	14Q1M3 SWPA PIE0.5		LF801	5PLF24A1—	FILTER LINE	LF-24A1	
M561	48565175SD01	MARK BRAND	DAEWOO 21T5 (SILVER)		M351	4858900002	HOLDER LED AS	LH-3P	
PWC1	4859906210	CORD POWER	W/F 6-LO (LOMAX NEW)		P401	4850705N14	CONNECTOR	BIC-05T-25T+ULW=500	
V901	4859607660N	"CRT (PHILIPS 21") "	A51EAL135X17		P402	4859240120	CONN WAFER	YFW500-06	
ZZ131	58G0000147	COIL DEGAUSSING	DC-21SF		P501	4850705N14	CONNECTOR	BIC-05T-25T+ULW=500	
ZZ132	48519A5210	CRT GROUND AS	21A5		P601	4859231720	CONN WAFER	YW025-04	
ZZ200	PTFMSJC21Y1S	MASK FRONT AS	DTC-21Y1FZF-S		P701	4859231720	CONN WAFER	YW025-04	
M201	4852074101S	MASK FRONT	21Y1 GY340A+SV128BP		P801	4859287320	CONN WAFER	MKS2822 (LOMAX NEW TYPE)	
ZZ210	PTSPPPWC21Y3S	SPEAKER AS	DTC-21Y3FZF-S		P802	4859242220	CONN WAFER	YFW800-02	
SP01	4858310910	SPEAKER	7.5W 8 OHM 95BF03LC		P905	4859262120	CONN WAFER	YFW 800-01 A5MODELS	
SP01A	4850704S28	CONN AS	YH025-04+35089+ULW=600		Q401	T2SD2578—	TR	25D2578	
SP02	4858310910	SPEAKER	7.5W 8 OHM 95BF03LC		Q401A	4857024500	HEAT SINK	AL EX	
ZZ290	PTMPMSC21Y2FF	PCB MAIN MANUAL AS	DTC-21Y2FZF		Q401B	7174300811	SCREW TAPPITTE	TT2 RND 3X8 MFZN	
10	2193100801	SOLDER BAR	SN:PB-63:37 3P(NO FLUX)		R398	RS02Y189JS	R M-OXIDE FILM	2W 1.8 OHM J SMALL	
40	2291050314	FLUX SOLVENT	IM-1000		R415	RS02Y102JS	R M-OXIDE FILM	2W 1K OHM J SMALL	
20	2193011101	SOLDER WIRE	RS 60-1.2 1.6A		R450	RS02Y223JS	R M-OXIDE FILM	2W 22K OHM J SMALL	
30	2291050617P	FLUX SOLDER	CF-329D		R801	DDCTR0M290	EPCOSTOR	EPC0DTR0M290	
50	2291140501	WAX COVER	60G/PC		R802	RS02Y753JS	R M-OXIDE FILM	2W 75K OHM J SMALL	
60	2291051001	FLUX KILLER	KFT-7		R803	RS02Y473JS	R M-OXIDE FILM	2W 47K OHM J SMALL	
C315	CEXF2A470V	C ELECTRO	100V RSS 47MF (10X16) TP		R804	RS02Y278JS	R M-OXIDE FILM	2W 0.27 OHM J SMALL	
C402	CMYH3C752J	C MYLAR	1.6KV 7500PF J (BUP)		R819	RX10B339JN	R CEMENT	10W 3.3 OHM J BENCH 4P	
C408	CMYE2D474J	C MYLAR	200V 0.47MF J (PL)		R822	RS02Y569JS	R M-OXIDE FILM	2W 5.6 OHM J SMALL	
C415	CEXF2E330V	C ELECTRO	250V RSS 33MF (13X25) TP		R920	RF01Y109JA	R FUSIBLE	1W 1 OHM J A CURVE	
C430	CCYR3D681K	C CERA	2KV R 680PF K 125C		SCT1	4859303530	SOCKET CRT	PCS29-03C	
C431	CMXB2G472J	C MYLAR	400V 4700PF J TP		SW801	5S40101143	SW PUSH	PS3-22SP (P.C.B)	
C604	CEXF1E102V	C ELECTRO	25V RSS 1000MF (13X20) TP		T401	50D10A2—	TRANS DRIVE	TD-10A2	
C801	CL1UC3474M	C LINE ACROSS	0.47MF 1J/UCVSNDF/SV		T402	50H0000204	FBT	1142.5106	
C805	CEYN2G181P	C ELECTRO	400V LHS 180MF (25X35)		T801	50M3934A2-	TRANS SMPS	2084.0046	
C810	CCYR3A102K	C CERA	HIKR 1KV 1000PF K 125C		U100	4859724930	TUNER VARACTOR	UV1316/AI-4	
C812	CH1BF4E472M	C CERA AC	AC400V 4700PF M U/C/V		U100B	4851900130	GROUND TUNER AS	DS-W1015-S	
C813	CEYF2E470V	C ELECTRO	250V RSS 47MF (16X25)		X501	5XJ24R576E	CRYSTAL QUARTZ	HC-49/S 24.576MHZ 30PPM	
C814	CEXF2E101V	C ELECTRO	250V RSS 100MF 18X35.5		Z101	5PK3953M—	FILTER SAW	K3953M	
C820	CCYR3A102K	C CERA	HIKR 1KV 1000PF K 125C		Z102	5PK9650M—	FILTER SAW	K9650M	
C823	CEXF1E102V	C ELECTRO	25V RSS 1000MF (13X20) TP		ZZ200	PTMPJBC21Y2FF	PCB MAIN EYE LET AS	DTC-21Y2FZF	
C832	CEXF1E102V	C ELECTRO	25V RSS 1000MF (13X20) TP		E01	4856310600	EYE LET	BSR 2.3(R2.3)	
C840	CEXF1C332V	C ELECTRO	16V RSS 3300MF		E02	4856310600	EYE LET	BSR 2.3(R2.3)	
C841	CEXF1C332V	C ELECTRO	16V RSS 3300MF		E03	4856310600	EYE LET	BSR 2.3(R2.3)	
C861	CEXF1E102C	C ELECTRO	25V RUS 1000MF 13X20 TP		E04	4856310600	EYE LET	BSR 2.3(R2.3)	
C866	CCYR3A471K	C CERA	1KV 470PF K 125C		E05	4856310600	EYE LET	BSR 2.3(R2.3)	
C905	CEXF2E479V	C ELECTRO	250V RSS 4.7MF (10X16)TP		E06	4856310600	EYE LET	BSR 2.3(R2.3)	
C965	CBXB3D102K	C CERA SEMI	2KV BL(N) 1000PF K (T)		E13	4856310600	EYE LET	BSR 2.3(R2.3)	
C997	CEXF2E100V	C ELECTRO	250V RSS 10MF (10X20) TP		E14	4856310600	EYE LET	BSR 2.3(R2.3)	
D403	DBY228—	DIODE	BY228		E17	4856310600	EYE LET	BSR 2.3(R2.3)	
D820	DBYW76—	DIODE	BYW76		E18	4856310600	EYE LET	BSR 2.3(R2.3)	
D860	DBYW76—	DIODE	BYW76		E19	4856310600	EYE LET	BSR 2.3(R2.3)	
F801	5FSCB4022R	FUSE CERA	SEMKO F4AH 4A 250V MF51		E20	4856310600	EYE LET	BSR 2.3(R2.3)	
G900	4SG0DY0001	SPARK GAP	SSG-102-A1(1.0KV) BULK		E21	4856310300	EYE LET	BSR T0.2 (R1.6)	
G901	4SG0DY0001	SPARK GAP	SSG-102-A1(1.0KV) BULK		E22	4856310300	EYE LET	BSR T0.2 (R1.6)	
G902	4SG0DY0001	SPARK GAP	SSG-102-A1(1.0KV) BULK		E23	4856310300	EYE LET	BSR T0.2 (R1.6)	
G903	4SG0DY0001	SPARK GAP	SSG-102-A1(1.0KV) BULK		E24	4856310300	EYE LET	BSR T0.2 (R1.6)	
G904	4SG0DY0001	SPARK GAP	SSG-102-A1(1.0KV) BULK		E25	4856310300	EYE LET	BSR T0.2 (R1.6)	
I301	1TDA8358J	IC VERTICAL	TDA8358J		E26	4856310300	EYE LET	BSR T0.2 (R1.6)	
I301A	4857024421	HEAT SINK	I602A (CP-385)		E27	4856310300	EYE LET	BSR T0.2 (R1.6)	
I301B	7174301011	SCREW TAPPITTE	TT2 RND 3X10 MFZN		E28	4856310300	EYE LET	BSR T0.2 (R1.6)	
I502	1AT24C16PC	IC MEMORY	AT24C16-10PC		E29	4856310300	EYE LET	BSR T0.2 (R1.6)	
I602	1TDA8946J	IC AUDIO	TDA8946J		E30	4856310300	EYE LET	BSR T0.2 (R1.6)	
I602A	4857024421	HEAT SINK	I602A (CP-385)		E31	4856310300	EYE LET	BSR T0.2 (R1.6)	
I602B	7174301011	SCREW TAPPITTE	TT2 RND 3X10 MFZN		E32	4856310300	EYE LET	BSR T0.2 (R1.6)	
I703	1TSOP1238W	IC PREAMP	TSOP1238WH1						
I801	1STRF6653	IC SMPS	STR-F6653						

z_loc	z_parts_code	parts_name	parts_descr	remark	z_loc	z_parts_code	parts_name	parts_descr	remark
E33	4856310300	EYE LET	BSR T0.2 (R1.6)		C561	CEXF1H229V	C ELECTRO	50V RSS 2.2MF (5X11) TP	
E34	4856310300	EYE LET	BSR T0.2 (R1.6)		C562	CMXM2A104J	C MYLAR	100V 0.1MF J TP	
E35	4856310300	EYE LET	BSR T0.2 (R1.6)		C563	CEXF1H100V	C ELECTRO	50V RSS 10MF (5X11) TP	
E36	4856310300	EYE LET	BSR T0.2 (R1.6)		C567	CEXF1H100V	C ELECTRO	50V RSS 10MF (5X11) TP	
E37	4856310300	EYE LET	BSR T0.2 (R1.6)		C568	CBXF1H104Z	C CERA SEMI	50V F 0.1MF Z (TAPPING)	
E38	4856310300	EYE LET	BSR T0.2 (R1.6)		C569	CEXF1E470V	C ELECTRO	25V RSS 47MF (5X11) TP	
E42	4856310300	EYE LET	BSR T0.2 (R1.6)		C574	CMXL1J224J	C MYLAR	63V MEU 0.22MF J TP	
E43	4856310300	EYE LET	BSR T0.2 (R1.6)		C576	CMXL1J224J	C MYLAR	63V MEU 0.22MF J TP	
E44	4856310300	EYE LET	BSR T0.2 (R1.6)		C577	CEXF1E470V	C ELECTRO	25V RSS 47MF (5X11) TP	
E47	4856310300	EYE LET	BSR T0.2 (R1.6)		C579	CCXB1H102K	C CERA	50V B 1000PF K (TAPPING)	
E48	4856310300	EYE LET	BSR T0.2 (R1.6)		C581	CMXL1J224J	C MYLAR	63V MEU 0.22MF J TP	
E49	4856310300	EYE LET	BSR T0.2 (R1.6)		C582	CEXF1C101V	C ELECTRO	16V RSS 100MF (6.3X11) TP	
E50	4856310300	EYE LET	BSR T0.2 (R1.6)		C602	CEXF1C221V	C ELECTRO	16V RSS 220MF (8X11.5) TP	
E51	4856310300	EYE LET	BSR T0.2 (R1.6)		C608	CCXB1H222K	C CERA	50V B 2200PF K (TAPPING)	
E54	4856310300	EYE LET	BSR T0.2 (R1.6)		C609	CCXB1H222K	C CERA	50V B 2200PF K (TAPPING)	
E55	4856310300	EYE LET	BSR T0.2 (R1.6)		C625	CEXF1H479V	C ELECTRO	50V RSS 4.7MF (5*11) TP	
E56	4856310600	EYE LET	BSR 2.3(R2.3)		C660	CEXF1H100V	C ELECTRO	50V RSS 10MF (5X11) TP	
E57	4856310600	EYE LET	BSR 2.3(R2.3)		C661	CMXM2A224J	C MYLAR	100V 0.22MF J BULK	
ZZ200	PTMPJ2C21Y2FF	PCB CHIP MOUNT B AS	DTC-21Y2FZF		C662	CMXM2A224J	C MYLAR	100V 0.22MF J BULK	
I501	1TA20HB01	IC MICOM FLASH	TAI12020H1/N1 B01		C665	CCXB1H472K	C CERA	50V B 4700PF K (TAPPING)	
ZZ200	PTMPJRC21Y2FF	PCB MAIN RADIAL AS	DTC-21Y2FZF		C666	CBXF1H104Z	C CERA SEMI	50V F 0.1MF Z (TAPPING)	
C102	CEXF1E470V	C ELECTRO	25V RSS 47MF (5X11) TP		C667	CCXB1H472K	C CERA	50V B 4700PF K (TAPPING)	
C104	CCXB1H102K	C CERA	50V B 1000PF K (TAPPING)		C668	CMXM2A224J	C MYLAR	100V 0.22MF J BULK	
C106	CEXF1E470V	C ELECTRO	25V RSS 47MF (5X11) TP		C669	CMXM2A224J	C MYLAR	100V 0.22MF J BULK	
C121	CEXF1H100V	C ELECTRO	50V RSS 10MF (5X11) TP		C690	CEXF1H479V	C ELECTRO	50V RSS 4.7MF (5*11) TP	
C122	CEXF1H100V	C ELECTRO	50V RSS 10MF (5X11) TP		C691	CEXF1H479V	C ELECTRO	50V RSS 4.7MF (5*11) TP	
C305	CEXF1E221V	C ELECTRO	25V RSS 220MF (8X11.5) TP		C770	CEXF1C101V	C ELECTRO	16V RSS 100MF (6.3X11) TP	
C313	CMXM2A104J	C MYLAR	100V 0.1MF J TP		C803	CCXF3A472Z	C CERA	1KV F 4700PF Z (T)	
C320	CBXF1H104Z	C CERA SEMI	50V F 0.1MF Z (TAPPING)		C804	CCXF3A472Z	C CERA	1KV F 4700PF Z (T)	
C350	CCXF1H473Z	C CERA	50V F 0.047MF Z (TAPPING)		C806	CEXF1H220V	C ELECTRO	50V RSS 22MF (5X11) TP	
C351	CCXF1H473Z	C CERA	50V F 0.047MF Z (TAPPING)		C807	CMXL1J104J	C MYLAR	63V MEU 0.1MF J	
C370	CCXF1H473Z	C CERA	50V F 0.047MF Z (TAPPING)		C808	CEXF1H100V	C ELECTRO	50V RSS 10MF (5X11) TP	
C401	CEXF1H101V	C ELECTRO	50V RSS 100MF (8*11.5) TP		C809	CCXB1H102K	C CERA	50V B 1000PF K (TAPPING)	
C412	CEXF2C339V	C ELECTRO	160V RSS 3.3MF (8X16) TP		C821	CCXB1H102K	C CERA	50V B 1000PF K (TAPPING)	
C414	CMXM2A104J	C MYLAR	100V 0.1MF J TP		C824	CCXB3A471K	C CERA	1KV B 470PF K (T)	
C418	CCXB1H102K	C CERA	50V B 1000PF K (TAPPING)		C831	CCXB3A471K	C CERA	1KV B 470PF K (T)	
C420	CCXB2H222K	C CERA	500V B 2200PF K (TAPPING)		C835	CEXF1E470V	C ELECTRO	25V RSS 47MF (5X11) TP	
C421	CCXF1H473Z	C CERA	50V F 0.047MF Z (TAPPING)		C844	CEXF1E101V	C ELECTRO	25V RSS 100MF (6.3X11) TP	
C501	CEXF1C470V	C ELECTRO	16V RSS 47MF (5X11) TP		C850	CCXB1H821K	C CERA	50V B 820PF K (TAPPING)	
C502	CEXF1C470V	C ELECTRO	16V RSS 47MF (5X11) TP		C862	CEXF1E101V	C ELECTRO	25V RSS 100MF (6.3X11) TP	
C505	CMXL1J224J	C MYLAR	63V MEU 0.22MF J TP		C863	CEXF1E101V	C ELECTRO	25V RSS 100MF (6.3X11) TP	
C507	CMXL1J224J	C MYLAR	63V MEU 0.22MF J TP		C901	CCXB1H561K	C CERA	50V B 560PF K (TAPPING)	
C508	CEXF1C470V	C ELECTRO	16V RSS 47MF (5X11) TP		C968	CMXL2E104K	C MYLAR	250V 0.1MF K MEU TP	
C509	CMXL1J224J	C MYLAR	63V MEU 0.22MF J TP		CA10	CCXB1H102K	C CERA	50V B 1000PF K (TAPPING)	
C510	CEXF1E101V	C ELECTRO	25V RSS 100MF (6.3X11) TP		F801A	4857415001	CLIP FUSE	PF05000-0702	
C511	CCXB1H102K	C CERA	50V B 1000PF K (TAPPING)		F801B	4857415001	CLIP FUSE	PF05000-0702	
C513	CMXL1J224J	C MYLAR	63V MEU 0.22MF J TP		L517	5CPX479K—	COIL PEAKING	4.7UH K RADIAL	
C514	CCXB1H102K	C CERA	50V B 1000PF K (TAPPING)		L518	5CPX479K—	COIL PEAKING	4.7UH K RADIAL	
C515	CMXL1J224J	C MYLAR	63V MEU 0.22MF J TP		L519	5CPX479K—	COIL PEAKING	4.7UH K RADIAL	
C516	CMXL1J224J	C MYLAR	63V MEU 0.22MF J TP		Q120	T2SC5343Y-	TR	2SC5343Y	
C517	CEXF1C101V	C ELECTRO	16V RSS 100MF (6.3X11) TP		Q402	T2SD1207T-	TR	2SD1207-T (TAPPING)	
C518	CBXF1H104Z	C CERA SEMI	50V F 0.1MF Z (TAPPING)		Q501	T2SC5343Y-	TR	2SC5343Y	
C519	CMXL1J224J	C MYLAR	63V MEU 0.22MF J TP		Q502	T2SA1980Y-	TR	2SA1980Y	
C520	CEXF1H229V	C ELECTRO	50V RSS 2.2MF (5X11) TP		Q503	T2SC5343Y-	TR	2SC5343Y	
C521	CCXB1H222K	C CERA	50V B 2200PF K (TAPPING)		Q504	T2SA1980Y-	TR	2SA1980Y	
C522	CBXF1H104Z	C CERA SEMI	50V F 0.1MF Z (TAPPING)		Q506	T2SC5343Y-	TR	2SC5343Y	
C524	CMXM2A682J	C MYLAR	100V 6800PF J TP		Q507	T2SA1980Y-	TR	2SA1980Y	
C525	CEXF1H109V	C ELECTRO	50V RSS 1MF (5X11) TP		Q508	T2SC5343Y-	TR	2SC5343Y	
C526	CMXL1J224J	C MYLAR	63V MEU 0.22MF J TP		Q513	T2SA1980Y-	TR	2SA1980Y	
C527	CEXF1H100V	C ELECTRO	50V RSS 10MF (5X11) TP		Q514	TH2N7000—	TR	H2N7000	
C528	CEXF1H223Z	C CERA	50V F 0.022MF Z (TAPPING)		Q515	TH2N7000—	TR	H2N7000	
C529	CMXL1J154J	C MYLAR	63V MEU 0.15MF J		Q601	T2SC5343Y-	TR	2SC5343Y	
C534	CEXF1H229V	C ELECTRO	50V RSS 2.2MF (5X11) TP		Q602	T2SA1980Y-	TR	2SA1980Y	
C535	CMXL1J474J	C MYLAR	63V 0.47MF MKT		Q807	T2SC5343Y-	TR	2SC5343Y	
C536	CMXL1J474J	C MYLAR	63V 0.47MF MKT		Q808	T2SC5343Y-	TR	2SC5343Y	
C537	CEXF1H229V	C ELECTRO	50V RSS 2.2MF (5X11) TP		Q809	T2SC5343Y-	TR	2SC5343Y	
C538	CEXF1H229V	C ELECTRO	50V RSS 2.2MF (5X11) TP		Q810	T2SC5343Y-	TR	2SC5343Y	
C539	CMXM2A332J	C MYLAR	100V 3300PF J TP		Q811	T2SC5343Y-	TR	2SC5343Y	
C540	CMXM2A473J	C MYLAR	100V 0.047MF J TP		Q813	T2SA1980Y-	TR	2SA1980Y	
C542	CEXF1H100V	C ELECTRO	50V RSS 10MF (5X11) TP		Q814	T2SC5343Y-	TR	2SC5343Y	
C543	CEXF1H229V	C ELECTRO	50V RSS 2.2MF (5X11) TP		Q815	T2SA1980Y-	TR	2SA1980Y	
C545	CEXF1H229V	C ELECTRO	50V RSS 2.2MF (5X11) TP		Q816	T2SC5343Y-	TR	2SC5343Y	
C547	CEXF1H100V	C ELECTRO	50V RSS 10MF (5X11) TP		SW700	5S50101090	SW TACT	SKHV17910A	
C548	CEXF1H100V	C ELECTRO	50V RSS 10MF (5X11) TP		SW701	5S50101090	SW TACT	SKHV17910A	
C549	CMXL1J474J	C MYLAR	63V 0.47MF MKT		SW702	5S50101090	SW TACT	SKHV17910A	
C552	CMXL1J474J	C MYLAR	63V 0.47MF MKT		SW703	5S50101090	SW TACT	SKHV17910A	
C553	CMXL1J474J	C MYLAR	63V 0.47MF MKT		SW704	5S50101090	SW TACT	SKHV17910A	
C554	CMXL1J474J	C MYLAR	63V 0.47MF MKT		Z601	5PEFST471Y	FILTER EMI	EFST 471	
C556	CCXB1H102K	C CERA	50V B 1000PF K (TAPPING)		Z602	5PEFST471Y	FILTER EMI	EFST 471	
C558	CBXF1H104Z	C CERA SEMI	50V F 0.1MF Z (TAPPING)		Z603	5PEFST471Y	FILTER EMI	EFST 471	
C560	CEXF1H229V	C ELECTRO	50V RSS 2.2MF (5X11) TP		Z604	5PEFST471Y	FILTER EMI	EFST 471	

z_loc	z_parts_code	parts_name	parts_descr	remark	z_loc	z_parts_code	parts_name	parts_descr	remark
Z605	5PEFST471Y	FILTER EMI	EFST 471		D811	DTZX6V2—	DIODE ZENER	TZX6V2B (TAPPING)	
Z606	5PEFST471Y	FILTER EMI	EFST 471		D821	DRGP15J—	DIODE	RGP15J	
Z607	5PEFST471Y	FILTER EMI	EFST 471		D822	DTZX9V1B—	DIODE ZENER	TZX9V1B (TAPPING)	
Z608	5PEFST471Y	FILTER EMI	EFST 471		D823	DTZX5V6B—	DIODE ZENER	TZX5V6B (TAPPING)	
Z609	5PEFST471Y	FILTER EMI	EFST 471		D824	D1N4148—	DIODE	1N4148 (TAPPING)	
Z610	5PEFST471Y	FILTER EMI	EFST 471		D825	D1N4148—	DIODE	1N4148 (TAPPING)	
Z611	5PEFST471Y	FILTER EMI	EFST 471		D830	D1N4937G—	DIODE	1N4937G	
Z612	5PEFST471Y	FILTER EMI	EFST 471		D831	D1N4937G—	DIODE	1N4937G	
ZZ200	PTMPJAC21Y2FF	PCB MAIN AXIAL AS	DTC-21Y2FZF		D840	D1N4004S—	DIODE	1N4004S	
20	2TM10006LB	TAPE MASKING	3M #232-MAP-C 6.2X2000M		D841	D1N4148—	DIODE	1N4148 (TAPPING)	
10	2TM14006LB	TAPE MASKING	3M #232 6.0X2000M		D904	DBAV21—	DIODE	BAV21 (TAPPING)	
A001	4859809893	PCB MAIN	CP-520A DTC		D905	DBAV21—	DIODE	BAV21 (TAPPING)	
C103	CCZB1H102K	C CERA	50V B 1000PF K (AXIAL)		D906	DBAV21—	DIODE	BAV21 (TAPPING)	
C107	CZSL1H470J	C CERA	50V SL 47PF J		D997	DLT2A05G—	DIODE	LT2A05G	
C108	CZSL1H470J	C CERA	50V SL 47PF J		DA01	D1N4148—	DIODE	1N4148 (TAPPING)	
C120	CCZB1H102K	C CERA	50V B 1000PF K (AXIAL)		DA02	DTZX5V6B—	DIODE ZENER	TZX5V6B (TAPPING)	
C123	CCZB1H472K	C CERA	50V B 4700PF K (AXIAL)		DA03	D1N4148—	DIODE	1N4148 (TAPPING)	
C503	CCZB1H102K	C CERA	50V B 1000PF K (AXIAL)		DA04	DTZX5V6B—	DIODE ZENER	TZX5V6B (TAPPING)	
C504	CCZB1H102K	C CERA	50V B 1000PF K (AXIAL)		DA06	DTZX5V6B—	DIODE ZENER	TZX5V6B (TAPPING)	
C512	CBZF1H104Z	C CERA SEMI	50V F 0.1MF Z (AXIAL)		DA08	DTZX5V6B—	DIODE ZENER	TZX5V6B (TAPPING)	
C523	CCZB1H102K	C CERA	50V B 1000PF K (AXIAL)		DA09	DTZX5V6B—	DIODE ZENER	TZX5V6B (TAPPING)	
C530	CCZB1H101K	C CERA	50V B 100PF K (AXIAL)		DA10	DTZX5V6B—	DIODE ZENER	TZX5V6B (TAPPING)	
C531	CCZF1H103Z	C CERA	50V F 0.01MF Z		DA11	DTZX5V6B—	DIODE ZENER	TZX5V6B (TAPPING)	
C532	CCZF1H103Z	C CERA	50V F 0.01MF Z		DA13	DTZX5V6B—	DIODE ZENER	TZX5V6B (TAPPING)	
C533	CCZB1H102K	C CERA	50V B 1000PF K (AXIAL)		DA14	DTZX5V6B—	DIODE ZENER	TZX5V6B (TAPPING)	
C541	CBZF1H104Z	C CERA SEMI	50V F 0.1MF Z (AXIAL)		DA15	DTZX5V6B—	DIODE ZENER	TZX5V6B (TAPPING)	
C544	CBZF1H104Z	C CERA SEMI	50V F 0.1MF Z (AXIAL)		DA16	DTZX5V6B—	DIODE ZENER	TZX5V6B (TAPPING)	
C546	CBZF1H104Z	C CERA SEMI	50V F 0.1MF Z (AXIAL)		DA20	DTZX5V6B—	DIODE ZENER	TZX5V6B (TAPPING)	
C550	CCZF1H103Z	C CERA	50V F 0.01MF Z		DA21	DTZX5V6B—	DIODE ZENER	TZX5V6B (TAPPING)	
C551	CBZF1H104Z	C CERA SEMI	50V F 0.1MF Z (AXIAL)		DA22	DTZX5V6B—	DIODE ZENER	TZX5V6B (TAPPING)	
C555	CCZB1H102K	C CERA	50V B 1000PF K (AXIAL)		I805	DTZX33B—	DIODE ZENER	TZX33B (TAPPING)	
C557	CBZF1H104Z	C CERA SEMI	50V F 0.1MF Z (AXIAL)		J10	85801065GY	WIRE COPPER	AWG22 1/0.65 TIN COATING	
C564	CBZF1H104Z	C CERA SEMI	50V F 0.1MF Z (AXIAL)		J100	85801065GY	WIRE COPPER	AWG22 1/0.65 TIN COATING	
C565	CBZF1H104Z	C CERA SEMI	50V F 0.1MF Z (AXIAL)		J101	85801065GY	WIRE COPPER	AWG22 1/0.65 TIN COATING	
C566	CBZF1H104Z	C CERA SEMI	50V F 0.1MF Z (AXIAL)		J102	85801065GY	WIRE COPPER	AWG22 1/0.65 TIN COATING	
C571	CCZB1H101K	C CERA	50V B 100PF K (AXIAL)		J103	85801065GY	WIRE COPPER	AWG22 1/0.65 TIN COATING	
C572	CCZB1H101K	C CERA	50V B 100PF K (AXIAL)		J104	85801065GY	WIRE COPPER	AWG22 1/0.65 TIN COATING	
C573	CCZB1H101K	C CERA	50V B 100PF K (AXIAL)		J105	85801065GY	WIRE COPPER	AWG22 1/0.65 TIN COATING	
C575	CCZB1H102K	C CERA	50V B 1000PF K (AXIAL)		J106	85801065GY	WIRE COPPER	AWG22 1/0.65 TIN COATING	
C578	CBZF1H104Z	C CERA SEMI	50V F 0.1MF Z (AXIAL)		J107	85801065GY	WIRE COPPER	AWG22 1/0.65 TIN COATING	
C589	CCZB1H472K	C CERA	50V B 4700PF K (AXIAL)		J108	85801065GY	WIRE COPPER	AWG22 1/0.65 TIN COATING	
C590	CBZF1H104Z	C CERA SEMI	50V F 0.1MF Z (AXIAL)		J109	85801065GY	WIRE COPPER	AWG22 1/0.65 TIN COATING	
C591	CBZF1H104Z	C CERA SEMI	50V F 0.1MF Z (AXIAL)		J11	85801065GY	WIRE COPPER	AWG22 1/0.65 TIN COATING	
C592	CCZF1H103Z	C CERA	50V F 0.01MF Z		J111	85801065GY	WIRE COPPER	AWG22 1/0.65 TIN COATING	
C701	CCZB1H103K	C CERA	50V B 0.01MF K (AXIAL)		J112	85801065GY	WIRE COPPER	AWG22 1/0.65 TIN COATING	
C830	CBZF1H104Z	C CERA SEMI	50V F 0.1MF Z (AXIAL)		J113	85801065GY	WIRE COPPER	AWG22 1/0.65 TIN COATING	
CA01	CCZB1H101K	C CERA	50V B 100PF K (AXIAL)		J114	85801065GY	WIRE COPPER	AWG22 1/0.65 TIN COATING	
CA02	CCZB1H101K	C CERA	50V B 100PF K (AXIAL)		J12	85801065GY	WIRE COPPER	AWG22 1/0.65 TIN COATING	
CA03	CCZB1H101K	C CERA	50V B 100PF K (AXIAL)		J13	85801065GY	WIRE COPPER	AWG22 1/0.65 TIN COATING	
CA04	CCZB1H101K	C CERA	50V B 100PF K (AXIAL)		J14	85801065GY	WIRE COPPER	AWG22 1/0.65 TIN COATING	
CA05	CCZB1H101K	C CERA	50V B 100PF K (AXIAL)		J15	85801065GY	WIRE COPPER	AWG22 1/0.65 TIN COATING	
CA06	CCZB1H101K	C CERA	50V B 100PF K (AXIAL)		J16	85801065GY	WIRE COPPER	AWG22 1/0.65 TIN COATING	
CA28	CCZB1H102K	C CERA	50V B 1000PF K (AXIAL)		J17	85801065GY	WIRE COPPER	AWG22 1/0.65 TIN COATING	
D101	DBAT85—	DIODE	BAT85 (TAPPING)		J18	85801065GY	WIRE COPPER	AWG22 1/0.65 TIN COATING	
D102	DBA282—	DIODE	BA282		J19	85801065GY	WIRE COPPER	AWG22 1/0.65 TIN COATING	
D313	D1N4937G—	DIODE	1N4937G		J20	85801065GY	WIRE COPPER	AWG22 1/0.65 TIN COATING	
D405	D1N4937G—	DIODE	1N4937G		J21	85801065GY	WIRE COPPER	AWG22 1/0.65 TIN COATING	
D407	DRGP15J—	DIODE	RGP15J		J22	85801065GY	WIRE COPPER	AWG22 1/0.65 TIN COATING	
D408	DRGP15J—	DIODE	RGP15J		J23	85801065GY	WIRE COPPER	AWG22 1/0.65 TIN COATING	
D410	D1N4004S—	DIODE	1N4004S		J24	85801065GY	WIRE COPPER	AWG22 1/0.65 TIN COATING	
D414	D1N4004S—	DIODE	1N4004S		J25	RD-AZ101J-	R CARBON FILM	1/6 100 OHM J	
D450	D1N4937G—	DIODE	1N4937G		J26	RD-AZ101J-	R CARBON FILM	1/6 100 OHM J	
D501	DBAT85—	DIODE	BAT85 (TAPPING)		J3	85801065GY	WIRE COPPER	AWG22 1/0.65 TIN COATING	
D502	DTZX3V9B—	DIODE ZENER	TZX3V9B (TAPPING)		J300	85801065GY	WIRE COPPER	AWG22 1/0.65 TIN COATING	
D503	DTZX3V9B—	DIODE ZENER	TZX3V9B (TAPPING)		J31	85801065GY	WIRE COPPER	AWG22 1/0.65 TIN COATING	
D504	DTZX5V6B—	DIODE ZENER	TZX5V6B (TAPPING)		J32	85801065GY	WIRE COPPER	AWG22 1/0.65 TIN COATING	
D520	D1N4148—	DIODE	1N4148 (TAPPING)		J33	85801065GY	WIRE COPPER	AWG22 1/0.65 TIN COATING	
D521	D1N4148—	DIODE	1N4148 (TAPPING)		J35	85801065GY	WIRE COPPER	AWG22 1/0.65 TIN COATING	
D522	DTZX3V9B—	DIODE ZENER	TZX3V9B (TAPPING)		J36	85801065GY	WIRE COPPER	AWG22 1/0.65 TIN COATING	
D523	DTZX3V9B—	DIODE ZENER	TZX3V9B (TAPPING)		J37	85801065GY	WIRE COPPER	AWG22 1/0.65 TIN COATING	
D601	D1N4148—	DIODE	1N4148 (TAPPING)		J39	85801065GY	WIRE COPPER	AWG22 1/0.65 TIN COATING	
D602	D1N4148—	DIODE	1N4148 (TAPPING)		J4	85801065GY	WIRE COPPER	AWG22 1/0.65 TIN COATING	
D710	DTZX5V6B—	DIODE ZENER	TZX5V6B (TAPPING)		J40	85801065GY	WIRE COPPER	AWG22 1/0.65 TIN COATING	
D801	DLT2A05G—	DIODE	LT2A05G		J41	85801065GY	WIRE COPPER	AWG22 1/0.65 TIN COATING	
D802	DLT2A05G—	DIODE	LT2A05G		J42	85801065GY	WIRE COPPER	AWG22 1/0.65 TIN COATING	
D803	DLT2A05G—	DIODE	LT2A05G		J43	85801065GY	WIRE COPPER	AWG22 1/0.65 TIN COATING	
D804	DLT2A05G—	DIODE	LT2A05G		J44	85801065GY	WIRE COPPER	AWG22 1/0.65 TIN COATING	
D805	D1N4937G—	DIODE	1N4937G		J45	85801065GY	WIRE COPPER	AWG22 1/0.65 TIN COATING	
D806	D1N4937G—	DIODE	1N4937G		J46	85801065GY	WIRE COPPER	AWG22 1/0.65 TIN COATING	
D808	D1N4937G—	DIODE	1N4937G		J47	85801065GY	WIRE COPPER	AWG22 1/0.65 TIN COATING	
D809	D1N4937G—	DIODE	1N4937G		J48	85801065GY	WIRE COPPER	AWG22 1/0.65 TIN COATING	

z_loc	z_parts_code	parts_name	parts_descr	remark	z_loc	z_parts_code	parts_name	parts_descr	remark
J49	85801065GY	WIRE COPPER	AWG22 1/0.65 TIN COATING		R370	RD-4Z159J	R CARBON FILM	1/4 1.5 OHM J	
J5	85801065GY	WIRE COPPER	AWG22 1/0.65 TIN COATING		R394	RD-AZ272J	R CARBON FILM	1/6 2.7K OHM J	
J50	RD-AZ101J	R CARBON FILM	1/6 100 OHM J		R395	RD-4Z394J	R CARBON FILM	1/4 390K OHM J	
J500	85801065GY	WIRE COPPER	AWG22 1/0.65 TIN COATING		R396	RD-AZ103J	R CARBON FILM	1/6 10K OHM J	
J51	85801065GY	WIRE COPPER	AWG22 1/0.65 TIN COATING		R401	RD-4Z272J	R CARBON FILM	1/4 2.7K OHM J	
J52	85801065GY	WIRE COPPER	AWG22 1/0.65 TIN COATING		R403	RD-4Z102J	R CARBON FILM	1/4 1K OHM J	
J54	85801065GY	WIRE COPPER	AWG22 1/0.65 TIN COATING		R404	RD-4Z399J	R CARBON FILM	1/4 3.9 OHM J	
J56	85801065GY	WIRE COPPER	AWG22 1/0.65 TIN COATING		R405	RD-4Z102J	R CARBON FILM	1/4 1K OHM J	
J57	85801065GY	WIRE COPPER	AWG22 1/0.65 TIN COATING		R407	RD-4Z182J	R CARBON FILM	1/4 1.8K OHM J	
J58	85801065GY	WIRE COPPER	AWG22 1/0.65 TIN COATING		R420	RD-4Z103J	R CARBON FILM	1/4 10K OHM J	
J59	85801065GY	WIRE COPPER	AWG22 1/0.65 TIN COATING		R422	RD-4Z102J	R CARBON FILM	1/4 1K OHM J	
J6	85801065GY	WIRE COPPER	AWG22 1/0.65 TIN COATING		R423	RD-4Z622J	R CARBON FILM	1/4 6.2K OHM J	
J60	85801065GY	WIRE COPPER	AWG22 1/0.65 TIN COATING		R500	RD-AZ101J	R CARBON FILM	1/6 100 OHM J	
J61	85801065GY	WIRE COPPER	AWG22 1/0.65 TIN COATING		R501	RD-AZ332J	R CARBON FILM	1/6 3.3K OHM J	
J62	85801065GY	WIRE COPPER	AWG22 1/0.65 TIN COATING		R502	RD-AZ332J	R CARBON FILM	1/6 3.3K OHM J	
J63	85801065GY	WIRE COPPER	AWG22 1/0.65 TIN COATING		R503	RD-AZ102J	R CARBON FILM	1/6 1K OHM J	
J64	85801065GY	WIRE COPPER	AWG22 1/0.65 TIN COATING		R504	RD-AZ472J	R CARBON FILM	1/6 4.7K OHM J	
J65	85801065GY	WIRE COPPER	AWG22 1/0.65 TIN COATING		R505	RD-AZ101J	R CARBON FILM	1/6 100 OHM J	
J66	85801065GY	WIRE COPPER	AWG22 1/0.65 TIN COATING		R506	RD-AZ103J	R CARBON FILM	1/6 10K OHM J	
J67	85801065GY	WIRE COPPER	AWG22 1/0.65 TIN COATING		R507	RD-AZ332J	R CARBON FILM	1/6 3.3K OHM J	
J68	85801065GY	WIRE COPPER	AWG22 1/0.65 TIN COATING		R508	RD-AZ332J	R CARBON FILM	1/6 3.3K OHM J	
J69	85801065GY	WIRE COPPER	AWG22 1/0.65 TIN COATING		R510	RD-AZ103J	R CARBON FILM	1/6 10K OHM J	
J7	RD-AZ101J	R CARBON FILM	1/6 100 OHM J		R511	RD-AZ103J	R CARBON FILM	1/6 10K OHM J	
J70	85801065GY	WIRE COPPER	AWG22 1/0.65 TIN COATING		R514	RD-AZ101J	R CARBON FILM	1/6 100 OHM J	
J71	85801065GY	WIRE COPPER	AWG22 1/0.65 TIN COATING		R515	RD-AZ101J	R CARBON FILM	1/6 100 OHM J	
J72	85801065GY	WIRE COPPER	AWG22 1/0.65 TIN COATING		R516	RD-AZ153J	R CARBON FILM	1/6 15K OHM J	
J73	85801065GY	WIRE COPPER	AWG22 1/0.65 TIN COATING		R517	RD-AZ101J	R CARBON FILM	1/6 100 OHM J	
J74	85801065GY	WIRE COPPER	AWG22 1/0.65 TIN COATING		R518	RD-AZ101J	R CARBON FILM	1/6 100 OHM J	
J76	RD-AZ202J	R CARBON FILM	1/6 2K OHM J		R519	RD-AZ102J	R CARBON FILM	1/6 1K OHM J	
J78	RD-AZ101J	R CARBON FILM	1/6 100 OHM J		R527	RD-AZ101J	R CARBON FILM	1/6 100 OHM J	
J80	85801065GY	WIRE COPPER	AWG22 1/0.65 TIN COATING		R528	RD-AZ101J	R CARBON FILM	1/6 100 OHM J	
J800	85801065GY	WIRE COPPER	AWG22 1/0.65 TIN COATING		R529	RD-AZ101J	R CARBON FILM	1/6 100 OHM J	
J81	85801065GY	WIRE COPPER	AWG22 1/0.65 TIN COATING		R530	RD-AZ101J	R CARBON FILM	1/6 100 OHM J	
J82	85801065GY	WIRE COPPER	AWG22 1/0.65 TIN COATING		R531	RD-AZ181J	R CARBON FILM	1/6 180 OHM J	
J83	RD-AZ101J	R CARBON FILM	1/6 100 OHM J		R532	RD-AZ102J	R CARBON FILM	1/6 1K OHM J	
J84	RD-AZ101J	R CARBON FILM	1/6 100 OHM J		R533	RD-AZ102J	R CARBON FILM	1/6 1K OHM J	
J86	85801065GY	WIRE COPPER	AWG22 1/0.65 TIN COATING		R534	RD-AZ472J	R CARBON FILM	1/6 4.7K OHM J	
J87	85801065GY	WIRE COPPER	AWG22 1/0.65 TIN COATING		R537	RD-AZ183J	R CARBON FILM	1/6 18K OHM J	
J88	85801065GY	WIRE COPPER	AWG22 1/0.65 TIN COATING		R538	RD-AZ101J	R CARBON FILM	1/6 100 OHM J	
J89	85801065GY	WIRE COPPER	AWG22 1/0.65 TIN COATING		R539	RD-AZ471J	R CARBON FILM	1/6 470 OHM J	
J90	85801065GY	WIRE COPPER	AWG22 1/0.65 TIN COATING		R540	RD-AZ471J	R CARBON FILM	1/6 470 OHM J	
J91	85801065GY	WIRE COPPER	AWG22 1/0.65 TIN COATING		R541	RN-AZ3902F	R METAL FILM	1/6 39K OHM F	
J92	85801065GY	WIRE COPPER	AWG22 1/0.65 TIN COATING		R542	RD-AZ682J	R CARBON FILM	1/6 6.8K OHM J	
J94	85801065GY	WIRE COPPER	AWG22 1/0.65 TIN COATING		R543	RD-AZ222J	R CARBON FILM	1/6 2.2K OHM J	
J95	85801065GY	WIRE COPPER	AWG22 1/0.65 TIN COATING		R544	RD-AZ222J	R CARBON FILM	1/6 2.2K OHM J	
J96	85801065GY	WIRE COPPER	AWG22 1/0.65 TIN COATING		R545	RD-AZ473J	R CARBON FILM	1/6 47K OHM J	
J97	85801065GY	WIRE COPPER	AWG22 1/0.65 TIN COATING		R546	RD-AZ181J	R CARBON FILM	1/6 180 OHM J	
J98	85801065GY	WIRE COPPER	AWG22 1/0.65 TIN COATING		R547	RD-AZ563J	R CARBON FILM	1/6 56K OHM J	
J99	85801065GY	WIRE COPPER	AWG22 1/0.65 TIN COATING		R551	RD-AZ823J	R CARBON FILM	1/6 82K OHM J	
L101	5CPZ100K02	COIL PEAKING	10UH 3.5MM K (LAL02TB)		R552	RD-AZ103J	R CARBON FILM	1/6 10K OHM J	
L350	5CPZ109M04	COIL PEAKING	1UH 10.5MM M (LAL04TB)		R553	RD-AZ103J	R CARBON FILM	1/6 10K OHM J	
L351	5CPZ109M04	COIL PEAKING	1UH 10.5MM M (LAL04TB)		R554	RD-AZ103J	R CARBON FILM	1/6 10K OHM J	
L505	5CPZ479K02	COIL PEAKING	4.7UH 3.5MM K (LAL02TB)		R555	RD-AZ103J	R CARBON FILM	1/6 10K OHM J	
L506	5CPZ479K02	COIL PEAKING	4.7UH 3.5MM K (LAL02TB)		R556	RD-AZ101J	R CARBON FILM	1/6 100 OHM J	
L507	5CPZ479K02	COIL PEAKING	4.7UH 3.5MM K (LAL02TB)		R557	RD-AZ101J	R CARBON FILM	1/6 100 OHM J	
L508	5CPZ479K02	COIL PEAKING	4.7UH 3.5MM K (LAL02TB)		R558	RD-AZ152J	R CARBON FILM	1/6 1.5K OHM J	
L509	5CPZ479K02	COIL PEAKING	4.7UH 3.5MM K (LAL02TB)		R559	RD-AZ222J	R CARBON FILM	1/6 2.2K OHM J	
L510	5CPZ479K02	COIL PEAKING	4.7UH 3.5MM K (LAL02TB)		R560	RD-AZ222J	R CARBON FILM	1/6 2.2K OHM J	
L512	5CPZ479K02	COIL PEAKING	4.7UH 3.5MM K (LAL02TB)		R561	RD-AZ101J	R CARBON FILM	1/6 100 OHM J	
L513	5CPZ479K02	COIL PEAKING	4.7UH 3.5MM K (LAL02TB)		R562	RD-AZ101J	R CARBON FILM	1/6 100 OHM J	
L515	5CPZ100K02	COIL PEAKING	10UH 3.5MM K (LAL02TB)		R563	RD-AZ101J	R CARBON FILM	1/6 100 OHM J	
L516	5CPZ479K02	COIL PEAKING	4.7UH 3.5MM K (LAL02TB)		R564	RD-AZ101J	R CARBON FILM	1/6 100 OHM J	
L523	5CPZ479K02	COIL PEAKING	4.7UH 3.5MM K (LAL02TB)		R565	RD-AZ154J	R CARBON FILM	1/6 150K OHM J	
L650	5MC0000100	COIL BEAD	MD-5 (HC-3550)		R566	RD-AZ103J	R CARBON FILM	1/6 10K OHM J	
L801	5MC0000100	COIL BEAD	MD-5 (HC-3550)		R567	RD-AZ103J	R CARBON FILM	1/6 10K OHM J	
R103	RD-AZ123J	R CARBON FILM	1/6 12K OHM J		R568	RD-AZ103J	R CARBON FILM	1/6 10K OHM J	
R104	RD-AZ683J	R CARBON FILM	1/6 68K OHM J		R569	RD-AZ103J	R CARBON FILM	1/6 10K OHM J	
R105	RD-AZ103J	R CARBON FILM	1/6 10K OHM J		R571	RD-AZ102J	R CARBON FILM	1/6 1K OHM J	
R106	RD-AZ101J	R CARBON FILM	1/6 100 OHM J		R572	RD-AZ103J	R CARBON FILM	1/6 10K OHM J	
R107	RD-AZ101J	R CARBON FILM	1/6 100 OHM J		R573	RD-AZ103J	R CARBON FILM	1/6 10K OHM J	
R114	RD-AZ473J	R CARBON FILM	1/6 47K OHM J		R574	RD-AZ103J	R CARBON FILM	1/6 10K OHM J	
R115	RD-AZ101J	R CARBON FILM	1/6 100 OHM J		R575	RD-AZ103J	R CARBON FILM	1/6 10K OHM J	
R120	RD-AZ101J	R CARBON FILM	1/6 100 OHM J		R576	RD-AZ102J	R CARBON FILM	1/6 1K OHM J	
R131	RD-AZ472J	R CARBON FILM	1/6 4.7K OHM J		R577	RD-AZ102J	R CARBON FILM	1/6 1K OHM J	
R310	RD-AZ471J	R CARBON FILM	1/6 470 OHM J		R578	RD-AZ102J	R CARBON FILM	1/6 1K OHM J	
R311	RD-AZ471J	R CARBON FILM	1/6 470 OHM J		R579	RD-AZ101J	R CARBON FILM	1/6 100 OHM J	
R331	RD-2Z201J	R CARBON FILM	1/2 200 OHM J		R580	RD-AZ123J	R CARBON FILM	1/6 12K OHM J	
R340	RD-4Z473J	R CARBON FILM	1/4 47K OHM J		R581	RD-AZ101J	R CARBON FILM	1/6 100 OHM J	
R350	RN-AZ2201F	R METAL FILM	1/6 2.2K OHM F		R582	RD-AZ101J	R CARBON FILM	1/6 100 OHM J	
R351	RN-AZ2201F	R METAL FILM	1/6 2.2K OHM F		R583	RD-AZ101J	R CARBON FILM	1/6 100 OHM J	

z_loc	z_parts_code	parts_name	parts_descr	remark
R584	RD-AZ101J-	R CARBON FILM	1/6 100 OHM J	
R585	RD-AZ101J-	R CARBON FILM	1/6 100 OHM J	
R586	RD-AZ101J-	R CARBON FILM	1/6 100 OHM J	
R587	RD-AZ101J-	R CARBON FILM	1/6 100 OHM J	
R588	RD-AZ102J-	R CARBON FILM	1/6 1K OHM J	
R589	RD-AZ102J-	R CARBON FILM	1/6 1K OHM J	
R590	RD-AZ334J-	R CARBON FILM	1/6 330K OHM J	
R598	RD-AZ182J-	R CARBON FILM	1/6 1.8K OHM J	
R599	RD-AZ224J-	R CARBON FILM	1/6 220K OHM J	
R601	RD-AZ152J-	R CARBON FILM	1/6 1.5K OHM J	
R602	RD-AZ104J-	R CARBON FILM	1/6 100K OHM J	
R608	RD-2Z151J-	R CARBON FILM	1/2 150 OHM J	
R609	RD-2Z151J-	R CARBON FILM	1/2 150 OHM J	
R610	RD-AZ103J-	R CARBON FILM	1/6 10K OHM J	
R611	RD-AZ474J-	R CARBON FILM	1/6 470K OHM J	
R612	RD-AZ474J-	R CARBON FILM	1/6 470K OHM J	
R650	RD-AZ513J-	R CARBON FILM	1/6 51K OHM J	
R660	RD-AZ513J-	R CARBON FILM	1/6 51K OHM J	
R661	RD-AZ682J-	R CARBON FILM	1/6 6.8K OHM J	
R662	RD-AZ682J-	R CARBON FILM	1/6 6.8K OHM J	
R700	RD-2Z332J-	R CARBON FILM	1/2 3.3K OHM J	
R701	RN-AZ1002F	R METAL FILM	1/6 10K OHM F	
R702	RN-AZ1502F	R METAL FILM	1/6 15K OHM F	
R713	RD-AZ681J-	R CARBON FILM	1/6 680 OHM J	
R720	RD-AZ122J-	R CARBON FILM	1/6 1.2K OHM J	
R721	RD-AZ181J-	R CARBON FILM	1/6 180 OHM J	
R722	RD-AZ221J-	R CARBON FILM	1/6 220 OHM J	
R723	RD-AZ331J-	R CARBON FILM	1/6 330 OHM J	
R724	RD-AZ471J-	R CARBON FILM	1/6 470 OHM J	
R805	RD-2Z100J-	R CARBON FILM	1/2 10 OHM J	
R806	RD-2Z472J-	R CARBON FILM	1/2 4.7K OHM J	
R807	RD-2Z272J-	R CARBON FILM	1/2 2.7K OHM J	
R808	RD-2Z821J-	R CARBON FILM	1/2 820 OHM J	
R810	RD-AZ102J-	R CARBON FILM	1/4 1K OHM J	
R811	RC-2Z565KP	R CARBON COMP	1/2 5.6M OHM K	
R812	RD-AZ473J-	R CARBON FILM	1/4 47K OHM J	
R813	RD-AZ473J-	R CARBON FILM	1/4 47K OHM J	
R814	RD-AZ472J-	R CARBON FILM	1/6 4.7K OHM J	
R815	RD-AZ472J-	R CARBON FILM	1/6 4.7K OHM J	
R816	RD-AZ399J-	R CARBON FILM	1/4 3.9 OHM J	
R817	RD-AZ473J-	R CARBON FILM	1/6 47K OHM J	
R820	RD-AZ102J-	R CARBON FILM	1/6 1K OHM J	
R821	RD-AZ102J-	R CARBON FILM	1/4 1K OHM J	
R823	RD-AZ392J-	R CARBON FILM	1/4 3.9K OHM J	
R829	RD-AZ103J-	R CARBON FILM	1/6 10K OHM J	
R830	RD-AZ332J-	R CARBON FILM	1/6 3.3K OHM J	
R840	85801065GY	WIRE COPPER	AWG22 1/0.65 TIN COATING	
R841	RD-2Z479J-	R CARBON FILM	1/2 4.7 OHM J	
R842	85801065GY	WIRE COPPER	AWG22 1/0.65 TIN COATING	
R850	85801065GY	WIRE COPPER	AWG22 1/0.65 TIN COATING	
R870	RD-2Z222J-	R CARBON FILM	1/2 2.2K OHM J	
R901	RD-AZ561J-	R CARBON FILM	1/6 560 OHM J	
R910	RD-AZ101J-	R CARBON FILM	1/6 100 OHM J	
R911	RD-AZ101J-	R CARBON FILM	1/6 100 OHM J	
R912	RD-AZ101J-	R CARBON FILM	1/6 100 OHM J	
R913	RC-2Z102K-	R CARBON COMP	1/2 1K OHM K	
R914	RC-2Z102K-	R CARBON COMP	1/2 1K OHM K	
R915	RC-2Z102K-	R CARBON COMP	1/2 1K OHM K	
R921	RD-AZ221J-	R CARBON FILM	1/6 220 OHM J	
R922	RD-AZ221J-	R CARBON FILM	1/6 220 OHM J	
R923	RD-AZ221J-	R CARBON FILM	1/6 220 OHM J	
R996	RD-2Z105J-	R CARBON FILM	1/2 1M OHM J	
R997	RD-2Z102J-	R CARBON FILM	1/2 1K OHM J	
RA02	RD-AZ101J-	R CARBON FILM	1/6 100 OHM J	
RA03	RD-AZ101J-	R CARBON FILM	1/6 100 OHM J	
RA04	RD-AZ101J-	R CARBON FILM	1/6 100 OHM J	
RA05	RD-AZ103J-	R CARBON FILM	1/6 10K OHM J	
RA06	RD-AZ750J-	R CARBON FILM	1/6 75 OHM J	
RA07	RD-AZ332J-	R CARBON FILM	1/6 3.3K OHM J	
RA08	RD-AZ750J-	R CARBON FILM	1/6 75 OHM J	
RA09	RD-AZ750J-	R CARBON FILM	1/6 75 OHM J	
RA10	RD-AZ470J-	R CARBON FILM	1/6 47 OHM J	
RA11	RD-AZ680J-	R CARBON FILM	1/6 68 OHM J	
RA12	RD-AZ102J-	R CARBON FILM	1/6 1K OHM J	
RA13	RD-AZ222J-	R CARBON FILM	1/6 2.2K OHM J	
RA14	RD-AZ220J-	R CARBON FILM	1/6 22 OHM J	
RA15	RD-AZ750J-	R CARBON FILM	1/6 75 OHM J	
RA16	RD-AZ750J-	R CARBON FILM	1/6 75 OHM J	
RA17	RD-AZ103J-	R CARBON FILM	1/6 10K OHM J	
RA18	RD-AZ332J-	R CARBON FILM	1/6 3.3K OHM J	
RA19	RD-AZ750J-	R CARBON FILM	1/6 75 OHM J	

z_loc	z_parts_code	parts_name	parts_descr	remark
RA23	RD-AZ220J-	R CARBON FILM	1/6 22 OHM J	
RA24	RD-AZ222J-	R CARBON FILM	1/6 2.2K OHM J	
RA25	RD-AZ102J-	R CARBON FILM	1/6 1K OHM J	
RA29	RD-AZ101J-	R CARBON FILM	1/6 100 OHM J	
RA32	RD-AZ470J-	R CARBON FILM	1/6 47 OHM J	
RA35	RD-AZ750J-	R CARBON FILM	1/6 75 OHM J	
ZZ140	PTPKCPC21Y1FS	PACKING AS	DTC-21Y1FZF-S	
M641	6520010200	STAPLE PIN	#3417 ALL	
M801	GPBBW3Y1512	BOX	DTA 21Y1 UNIVERSAL (NEW)	
M811	4858193600	PAD	EPS 21Y1	
M821	4858211801	BAG P.E.	PE FILM T0.05X1300X1000	

6.4 DTZ-29U7FZF-S

z_loc	z_parts_code	parts_name	parts_descr	remark	z_loc	z_parts_code	parts_name	parts_descr	remark
ZZ100	PTACPW229U7F	ACCESSORY AS	DTZ-29U7FZS-S		I301A	4857028215	HEAT SINK	AL EX NO ANODOZING	
12000	48B4846G2201	TRANSMITTER REMOCON	R-46G22 (AAA)		I301B	7174301011	SCREW TAPPTITE	TT2 RND 3X10 MFZN	
13000	4850Q00910	BATTERY	AAA R03/MN SUPERGARD		I502	1AT24C16PC	IC MEMORY	AT24C16-10PC	
14000	4858213801	BAG INSTRUCTION	L. D. P. E. TO. 05X250X40		I602	1TDA8946J-	IC AUDIO	TDA8946J	
ZZ120	PTBCSHZ29U7S	COVER BACK AS	DTZ-29U7FZS-S		I602A	4857028215	HEAT SINK	AL EX NO ANODOZING	
M211	4852163301	COVER BACK	29U7 GY778A		I602B	7174301011	SCREW TAPPTITE	TT2 RND 3X10 MFZN	
M541	4855415800	SIPLATE	150ART P/E FILM (C/TV)		I703	1TS0P1238W	IC PREAMP	TSOP1238W1	
M542	485580002207	LABEL SERIAL	ART 90		I801	1STRF6654-	IC SMPS	STR-F6654	
M782	4857817610	CLOTH BLACK	"300 MM 20"		I801A	4857024600	HEAT SINK	AL EX B/K	
ZZ130	PTCACAZ29U7FSS	CABINET AS	DTZ-29U7FZS-S		I801B	7174301211	SCREW TAPPTITE	TT2 RND 3X12 MFZN	
M201A	4856017352	SCREW CRT FIX	6X35 L120 YL		I804	1KP1010C—	IC PHOTO COUPLER	KP-1010C	
M201B	4856215402	WASHER RUBBER	20"		I806	1DP130—	IC ERROR AMP	DP130	
M201D	4856818300	CLAMP WIRE	PH-WL-5034		I810	TX0202DA—	THYRISTOR	X0202DA	
M211A	7172401612	SCREW TAPPING	TT2 TRS 4X16 MFZN BK		I820	1L7805CV—	IC REGULATOR	L7805CV	
M352	2TF01612CL	TAPE FILAMENT	12MMX55ME CLEAR		I822	1L7808CV—	IC REGULATOR	L7808CV	
M481	4854864501	BUTTON POWER	29U7 GY340A+SV128BP (SILVER)		I823	1LD1117V33	IC REGULATOR	LD1117AV33 3.3V TO-220	
M481A	4856716000	SPRING	14Q1/M3 SWPA PIE0.5		I824	1LD1117V50	IC REGULATOR	LD1117AV50 5.0V TO-220	
M491	4851950201	BUTTON CTRL AS	29U7 GY340A+SV128BP (SILVER)		I901	1TDA6107AJ	IC VIDEO	TD6107AJF	
M491A	7178301011	SCREW TAPPING	TT2 WAS 3X10 MFZN		I901A	4857031100	HEAT SINK	A1050P-H24 T2.0	
M561	48556174SD01	MARK BRAND	"DAEWOO 28" BLACK		I901B	7174300811	SCREW TAPPTITE	TT2 RND 3X8 MFZN	
M681	4856812001	TIE CABLE	NYLON66 DA100		JP01	4859102130	JACK EARPHONE	YSC-1537	
P402A	4850706S21	CONN AS	YFH500-06-YLT502+ULW=500		JPA1	4859200401	SOCKET RGB	SR-21A1 (ANGLE TYPE)	
PWC1	4859906210	CORD POWER	W/F 6-LO (LOMAX NEW)		JPA2	4859200401	SOCKET RGB	SR-21A1 (ANGLE TYPE)	
SP01A	7172401212	SCREW TAPPING	TT2 TRS 4X12 MFZN		JPA3	4859108450	JACK PIN BOARD	YSC03P-4120-14A	
SP02A	7172401212	SCREW TAPPING	TT2 TRS 4X12 MFZN		JPA4	4859106740	SVHS JACK	PH-SJ-9505A	
V901	4859641860	"CRT (SAMSUNG 29") "	A68QC993X926		L401	58H0000067	COIL H-LINEARITY	TRL-240B	
ZZ131	58G0000149	COIL DEGAUSSING	DC-295F		L402	58C7070085	COIL CHOKE	TLN-306A	
ZZ132	4851944210	CRT GROUND NET	2901H-1015-2P		L514	5CPZ100K04	COIL PEAKING	10UH 10.5MM K (LAL04TB)	
ZZ200	PTFMSJZ29U7S	MASK FRONT AS	DTZ-29U7FZS-S		L802	58C9430599	COIL CHOKE	AZ-9004Y(94MH)	
M201	4852083901	MASK FRONT	29U7 GY503A+SV128BP		LF801	5PFL24A1—	FILTER LINE	LF-24A1	
ZZ201	PTSPPWY28A8F	SPEAKER AS	DTY-28A8FZF		M351	4858900002	HOLDER LED AS	LH-3P	
51000	4858311110	SPEAKER	12W 8 OHM SP-58126F		P401	4850705N14	CONNECTOR	BIC-05T-25T+ULW=500	
51100	4850704S30	CONN AS	YH025-04+35098+ULW=700		P402	4859240120	CONN WAFER	YFW500-06	
52000	4858311110	SPEAKER	12W 8 OHM SP-58126F		P501	4850705N14	CONNECTOR	BIC-05T-25T+ULW=500	
ZZ290	PTMPMS229U7FS	PCB MAIN MANUAL AS	DTZ-29U7FZS		P601	4859231720	CONN WAFER	YW025-04	
10	2193100801	SOLDER BAR	SN:PB=63:37 3PI(NO FLUX)		P701	4859231720	CONN WAFER	YW025-04	
40	2291050314	FLUX SOLVENT	IM-1000		P801	4859287320	CONN WAFER	MM52822 (LOMAX NEW TYPE)	
20	2193011101	SOLDER WIRE	RS 60-1.2 1.6A		P802	4859242220	CONN WAFER	YFW800-02	
30	2291050617P	FLUX SOLDER	CF-329D		P903	4859238620	CONN WAFER	YPW500-02	
50	2291140501	WAX COVER	60G/PC		Q401	T2SD2578—	TR	2SD2578	
60	2291051001	FLUX KILLER	KFT-7		Q401A	4857024500	HEAT SINK	AL EX	
C315	CEXF2A470V	C ELECTRO	100V RSS 47MF (10X16) TP		Q401B	7174300811	SCREW TAPPTITE	TT2 RND 3X8 MFZN	
C402	CMYH3C123J	C MYLAR	1.6KV 0.012MF J		R398	RS02Y129JS	R M-OXIDE FILM	2W 1.2 OHM J SMALL	
C408	CMYE2G394J	C MYLAR	400V PU 0.39MF J		R399	RS02Y120JS	R M-OXIDE FILM	2W 12 OHM J SMALL	
C415	CEXF2E479V	C ELECTRO	250V RSS 4.7MF (10X16)TP		R406	RS02Y471JS	R M-OXIDE FILM	2W 470 OHM J SMALL	
C430	CCYR3D681K	C CERA	2KV R 680PF K 125C		R450	RS02Y223JS	R M-OXIDE FILM	2W 22 OHM J SMALL	
C431	CMXB2G472J	C MYLAR	400V 4700PF J TP		R801	DDC7R0M290	POSISTOR	ECPCD7R0M290	
C440	CMXE2G243J	C MYLAR	400V PU 0.24MF J		R802	RS02Y753JS	R M-OXIDE FILM	2W 75K OHM J SMALL	
C499	CEYD1H689W	C ELECTRO	50V RHD 6.8MF (16X35.5)		R803	RS02Y473JS	R M-OXIDE FILM	2W 47K OHM J SMALL	
C604	CEXF1E102V	C ELECTRO	25V RSS 1000MF (13X20) TP		R804	RF01Y188K-	R FUSIBLE	1W 0.18 OHM K	
C801	CL1UC3474M	C LINE ACROSS	0.47MF 1J(UCVSNDF/SV		R819	RX10B339JN	R CEMENT	10W 3.3 OHM J BENCH 4P	
C805	CEYN2G181P	C ELECTRO	400V LHS 180MF (25X35)		R822	RS02Y399JS	R M-OXIDE FILM	2W 3.9 OHM J SMALL	
C810	CCYR3A102K	C CERA	HIKR 1KV 1000PF K 125C		R920	RF01Y129JA	R FUSIBLE	1W 1.2 OHM J A CURVE	
C812	CH1BFE472M	C CERA AC	AC400V 4700PF M U/C/V		SCT1	4859303530	SOCKET CRT	PCS629-03C	
C813	CEYF2E470V	C ELECTRO	250V RSS 47MF (16X25)		SW801	5S40101143	SW PUSH	PS3-225P (P.C.B)	
C814	CEXF2E101V	C ELECTRO	250V RSS 100MF 18X35.5		T401	50D19A1—	TRANS DRIVE	TD-19A1	
C820	CCYR3A102K	C CERA	HIKR 1KV 1000PF K 125C		T402	50H0000233	FBT	1362.5018C	
C823	CEXF1E102V	C ELECTRO	25V RSS 1000MF (13X20) TP		T801	50M4936B2-	TRANS SMPS	2094.0057B	
C832	CEXF1E102V	C ELECTRO	25V RSS 1000MF (13X20) TP		U100	4859724930	TUNER VARACTOR	UV1316/AI-4	
C840	CEXF1C332V	C ELECTRO	16V RSS 3300MF		X501	5XJ24R576E	CRYSTAL QUARTZ	HC-49/S 24.576MHZ 30PPM	
C841	CEXF1C332V	C ELECTRO	16V RSS 3300MF		Z101	5PK3953M—	FILTER SAW	K3953M	
C861	CEXF1E102C	C ELECTRO	25V RUS 1000MF 13X20 TP		Z102	5PK9650M—	FILTER SAW	K9650M	
C866	CCYR3A471K	C CERA	1KV 470PF K 125C		ZZ200	PTMPJBZ29U7FS	PCB MAIN EYE LET AS	DTZ-29U7FZS	
C905	CEXF2E479V	C ELECTRO	250V RSS 4.7MF (10X16)TP		E01	4856310600	EYE LET	BSR 2.3/(R2.3)	
C965	CBXB3D102K	C CERA SEMI	2KV BL(N) 1000PF K (T)		E02	4856310600	EYE LET	BSR 2.3/(R2.3)	
C987	CEXF2E100V	C ELECTRO	250V RSS 10MF (10X20) TP		E03	4856310600	EYE LET	BSR 2.3/(R2.3)	
D403	DBY228—	DIODE	BY228		E04	4856310600	EYE LET	BSR 2.3/(R2.3)	
D404	DBYW76—	DIODE	BYW76		E05	4856310600	EYE LET	BSR 2.3/(R2.3)	
D820	DBYW76—	DIODE	BYW76		E06	4856310600	EYE LET	BSR 2.3/(R2.3)	
D860	DBYW76—	DIODE	BYW76		E07	4856310600	EYE LET	BSR 2.3/(R2.3)	
F801	5FSCB4022R	FUSE CERA	SEMKO F4AH 4A 250V MF51		E08	4856310600	EYE LET	BSR 2.3/(R2.3)	
G900	4SG0DY0001	SPARK GAP	SSG-102-A1(1.0KV) BULK		E09	4856310600	EYE LET	BSR 2.3/(R2.3)	
G901	4SG0DY0001	SPARK GAP	SSG-102-A1(1.0KV) BULK		E10	4856310600	EYE LET	BSR 2.3/(R2.3)	
G902	4SG0DY0001	SPARK GAP	SSG-102-A1(1.0KV) BULK		E13	4856310600	EYE LET	BSR 2.3/(R2.3)	
G903	4SG0DY0001	SPARK GAP	SSG-102-A1(1.0KV) BULK		E14	4856310600	EYE LET	BSR 2.3/(R2.3)	
G904	4SG0DY0001	SPARK GAP	SSG-102-A1(1.0KV) BULK		E15	4856310600	EYE LET	BSR 2.3/(R2.3)	
I301	1TDA8358J-	IC VERTICAL	TDA8358J		E16	4856310600	EYE LET	BSR 2.3/(R2.3)	
					E17	4856310600	EYE LET	BSR 2.3/(R2.3)	

z_loc	z_parts_code	parts_name	parts_descr	remark	z_loc	z_parts_code	parts_name	parts_descr	remark
R544	RD-AZ222J	R CARBON FILM	1/6 2.2K OHM J		R820	RD-AZ102J	R CARBON FILM	1/6 1K OHM J	
R545	RD-AZ473J	R CARBON FILM	1/6 47K OHM J		R821	RD-4Z102J	R CARBON FILM	1/4 1K OHM J	
R546	RD-AZ181J	R CARBON FILM	1/6 180 OHM J		R823	RD-4Z102J	R CARBON FILM	1/4 1K OHM J	
R547	RD-AZ563J	R CARBON FILM	1/6 56K OHM J		R829	RD-AZ103J	R CARBON FILM	1/6 10K OHM J	
R551	RD-AZ823J	R CARBON FILM	1/6 82K OHM J		R830	RD-AZ332J	R CARBON FILM	1/6 3.3K OHM J	
R552	RD-AZ103J	R CARBON FILM	1/6 10K OHM J		R840	85801065GY	WIRE COPPER	AWG22 1/0.65 TIN COATING	
R553	RD-AZ103J	R CARBON FILM	1/6 10K OHM J		R841	RD-2Z473J	R CARBON FILM	1/2 4.7 OHM J	
R554	RD-AZ103J	R CARBON FILM	1/6 10K OHM J		R842	85801065GY	WIRE COPPER	AWG22 1/0.65 TIN COATING	
R555	RD-AZ103J	R CARBON FILM	1/6 10K OHM J		R850	85801065GY	WIRE COPPER	AWG22 1/0.65 TIN COATING	
R556	RD-AZ101J	R CARBON FILM	1/6 100 OHM J		R870	RD-2Z222J	R CARBON FILM	1/2 2.2K OHM J	
R557	RD-AZ101J	R CARBON FILM	1/6 100 OHM J		R901	RD-AZ561J	R CARBON FILM	1/6 560 OHM J	
R558	RD-AZ152J	R CARBON FILM	1/6 1.5K OHM J		R910	RD-AZ101J	R CARBON FILM	1/6 100 OHM J	
R559	RD-AZ222J	R CARBON FILM	1/6 2.2K OHM J		R911	RD-AZ101J	R CARBON FILM	1/6 100 OHM J	
R560	RD-AZ222J	R CARBON FILM	1/6 2.2K OHM J		R912	RD-AZ101J	R CARBON FILM	1/6 100 OHM J	
R561	RD-AZ101J	R CARBON FILM	1/6 100 OHM J		R913	RC-2Z102K	R CARBON COMP	1/2 1K OHM K	
R562	RD-AZ101J	R CARBON FILM	1/6 100 OHM J		R914	RC-2Z102K	R CARBON COMP	1/2 1K OHM K	
R563	RD-AZ101J	R CARBON FILM	1/6 100 OHM J		R915	RC-2Z102K	R CARBON COMP	1/2 1K OHM K	
R564	RD-AZ101J	R CARBON FILM	1/6 100 OHM J		R921	RD-AZ221J	R CARBON FILM	1/6 220 OHM J	
R565	RD-AZ154J	R CARBON FILM	1/6 150K OHM J		R922	RD-AZ221J	R CARBON FILM	1/6 220 OHM J	
R566	RD-AZ103J	R CARBON FILM	1/6 10K OHM J		R923	RD-AZ221J	R CARBON FILM	1/6 220 OHM J	
R567	RD-AZ103J	R CARBON FILM	1/6 10K OHM J		R996	RD-2Z105J	R CARBON FILM	1/2 1M OHM J	
R568	RD-AZ103J	R CARBON FILM	1/6 10K OHM J		R997	RD-2Z102J	R CARBON FILM	1/2 1K OHM J	
R569	RD-AZ103J	R CARBON FILM	1/6 10K OHM J		RA02	RD-AZ101J	R CARBON FILM	1/6 100 OHM J	
R571	RD-AZ102J	R CARBON FILM	1/6 1K OHM J		RA03	RD-AZ101J	R CARBON FILM	1/6 100 OHM J	
R572	RD-AZ103J	R CARBON FILM	1/6 10K OHM J		RA04	RD-AZ101J	R CARBON FILM	1/6 100 OHM J	
R573	RD-AZ103J	R CARBON FILM	1/6 10K OHM J		RA05	RD-AZ103J	R CARBON FILM	1/6 10K OHM J	
R574	RD-AZ103J	R CARBON FILM	1/6 10K OHM J		RA06	RD-AZ750J	R CARBON FILM	1/6 75 OHM J	
R575	RD-AZ103J	R CARBON FILM	1/6 10K OHM J		RA07	RD-AZ332J	R CARBON FILM	1/6 3.3K OHM J	
R576	RD-AZ102J	R CARBON FILM	1/6 1K OHM J		RA08	RD-AZ750J	R CARBON FILM	1/6 75 OHM J	
R577	RD-AZ102J	R CARBON FILM	1/6 1K OHM J		RA09	RD-AZ750J	R CARBON FILM	1/6 75 OHM J	
R578	RD-AZ102J	R CARBON FILM	1/6 1K OHM J		RA10	RD-AZ470J	R CARBON FILM	1/6 47 OHM J	
R579	RD-AZ101J	R CARBON FILM	1/6 100 OHM J		RA11	RD-AZ680J	R CARBON FILM	1/6 68 OHM J	
R580	RD-AZ123J	R CARBON FILM	1/6 12K OHM J		RA12	RD-AZ102J	R CARBON FILM	1/6 1K OHM J	
R581	RD-AZ101J	R CARBON FILM	1/6 100 OHM J		RA13	RD-AZ222J	R CARBON FILM	1/6 2.2K OHM J	
R582	RD-AZ101J	R CARBON FILM	1/6 100 OHM J		RA14	RD-AZ220J	R CARBON FILM	1/6 22 OHM J	
R583	RD-AZ101J	R CARBON FILM	1/6 100 OHM J		RA15	RD-AZ750J	R CARBON FILM	1/6 75 OHM J	
R584	RD-AZ101J	R CARBON FILM	1/6 100 OHM J		RA16	RD-AZ750J	R CARBON FILM	1/6 75 OHM J	
R585	RD-AZ101J	R CARBON FILM	1/6 100 OHM J		RA17	RD-AZ103J	R CARBON FILM	1/6 10K OHM J	
R586	RD-AZ101J	R CARBON FILM	1/6 100 OHM J		RA18	RD-AZ332J	R CARBON FILM	1/6 3.3K OHM J	
R587	RD-AZ101J	R CARBON FILM	1/6 100 OHM J		RA19	RD-AZ750J	R CARBON FILM	1/6 75 OHM J	
R588	RD-AZ102J	R CARBON FILM	1/6 1K OHM J		RA23	RD-AZ220J	R CARBON FILM	1/6 22 OHM J	
R589	RD-AZ102J	R CARBON FILM	1/6 1K OHM J		RA24	RD-AZ222J	R CARBON FILM	1/6 2.2K OHM J	
R590	RD-AZ334J	R CARBON FILM	1/6 330K OHM J		RA25	RD-AZ102J	R CARBON FILM	1/6 1K OHM J	
R598	RD-AZ182J	R CARBON FILM	1/6 1.8K OHM J		RA29	RD-AZ101J	R CARBON FILM	1/6 100 OHM J	
R599	RD-AZ224J	R CARBON FILM	1/6 220K OHM J		RA32	RD-AZ470J	R CARBON FILM	1/6 47 OHM J	
R601	RD-AZ152J	R CARBON FILM	1/6 1.5K OHM J		RA35	RD-AZ750J	R CARBON FILM	1/6 75 OHM J	
R602	RD-AZ104J	R CARBON FILM	1/6 100K OHM J		ZZ140	PTPKCPZ29U7F	PACKING AS	DTZ-29U7FZS-S	
R608	RD-2Z151J	R CARBON FILM	1/2 150 OHM J		10	6520010200	STAPLE PIN	#3417 ALL	
R609	RD-2Z151J	R CARBON FILM	1/2 150 OHM J		M681	2TP06575CL	TAPE OPP	T0.065XW75X500M CLEAR	
R610	RD-AZ103J	R CARBON FILM	1/6 10K OHM J		M801	GPBBW6U7122	BOX	DTF-29U7 (NEW)	
R611	RD-AZ474J	R CARBON FILM	1/6 470K OHM J		M811	4858101500DN	PAD DOWN	29U7	
R612	RD-AZ474J	R CARBON FILM	1/6 470K OHM J		M811A	4858101500UP	PAD UP	29U7	
R650	RD-AZ303J	R CARBON FILM	1/6 30K OHM J		M821	4858215601	BAG P.E.	*PE FOAM T0.5X1600X1270 25"-28"	*
R660	RD-AZ303J	R CARBON FILM	1/6 30K OHM J						
R661	RD-AZ682J	R CARBON FILM	1/6 6.8K OHM J						
R662	RD-AZ682J	R CARBON FILM	1/6 6.8K OHM J						
R700	RD-2Z332J	R CARBON FILM	1/2 3.3K OHM J						
R701	RN-AZ1002F	R METAL FILM	1/6 10K OHM F						
R702	RN-AZ1502F	R METAL FILM	1/6 15K OHM F						
R713	RD-AZ681J	R CARBON FILM	1/6 680 OHM J						
R720	RD-AZ122J	R CARBON FILM	1/6 1.2K OHM J						
R721	RD-AZ181J	R CARBON FILM	1/6 180 OHM J						
R722	RD-AZ221J	R CARBON FILM	1/6 220 OHM J						
R723	RD-AZ331J	R CARBON FILM	1/6 330 OHM J						
R724	RD-AZ471J	R CARBON FILM	1/6 470 OHM J						
R805	RD-2Z100J	R CARBON FILM	1/2 10 OHM J						
R806	RD-2Z472J	R CARBON FILM	1/2 4.7K OHM J						
R807	RD-2Z272J	R CARBON FILM	1/2 2.7K OHM J						
R808	RD-2Z821J	R CARBON FILM	1/2 820 OHM J						
R810	RD-4Z102J	R CARBON FILM	1/4 1K OHM J						
R811	RC-2Z565KP	R CARBON COMP	1/2 5.6M OHM K						
R812	RD-4Z473J	R CARBON FILM	1/4 47K OHM J						
R813	RD-4Z473J	R CARBON FILM	1/4 47K OHM J						
R814	RD-AZ472J	R CARBON FILM	1/6 4.7K OHM J						
R815	RD-AZ472J	R CARBON FILM	1/6 4.7K OHM J						
R816	RD-4Z399J	R CARBON FILM	1/4 3.9 OHM J						
R817	RD-AZ473J	R CARBON FILM	1/6 47K OHM J						

7. Exploded View

7-1 DTY-28A8

Exploded view diagram of a television set (DTY-28A8) showing various components and their assembly order. The diagram is framed by a coordinate grid with letters A-H and numbers 1-8.

REV	LIST OF MODIFICATION	REASON OF MODIFICATION	DATE	NAME	APPR
△					
△					

21	4858213800	BAG INSTRUCTION	1	L.D.P.E T0.05X250X400	
20	4858215600	BAG PE	1	PE FOAM t0.5x1600x1270	
19	4858062700	BOX CARTON	1	DW-3	
18	4858101500	PAD	1	EPS 29U7	
17	4855415800	SPEC PLATE	1	150ART P/E FILM (C/TV)	
16	7178301212	SCREW TAPPTITE	1	TT2 WAS 3X12 MFZN BK	
15	7172401612	SCREW TAPPTITE	8	TT2 TRS 4X16 MFZN BK	
14	4852163503	COVER BACK	1	HIPS GY	
13	4856015800	SCREW CRT FIX	4	L=27	
12	4856215402	WASHER RUBBER	4	CR T2.0	
11		CRT	1	28" NORMAL 4:3	
10		CHASSIS	1	CP-520	
9	7178301212	SCREW TAPPTITE	8	TT2 WAS 3X12 MFZN BK	
8	4858311110	SPEAKER	2	12W 8 OHM SP-58126F	
7	4852084403	MASK FRONT	1	HIPS GY	
6	4855617401	MARK BRAND	1	AL(SILVER)	
5	4857923300	DOOR LOCK	1	LA701(KIFCO)	
4	4855060701	DECO CTRL	1	PVC T0.25	
3	4851949503	DOOR AS	1	2824003+5550201	
2	4854865103	BUTTON POWER	1	HIPS GY	
1	4856716000	SPRING	1	SWPA PIE0.5	

No	PART CODE	PART NAME	Q'ty	MATERIAL	REMARKS

UNITS	Designed by	Checked by	Inspected by	Approved by	PART NAME
(m/r)					
(r/n)					

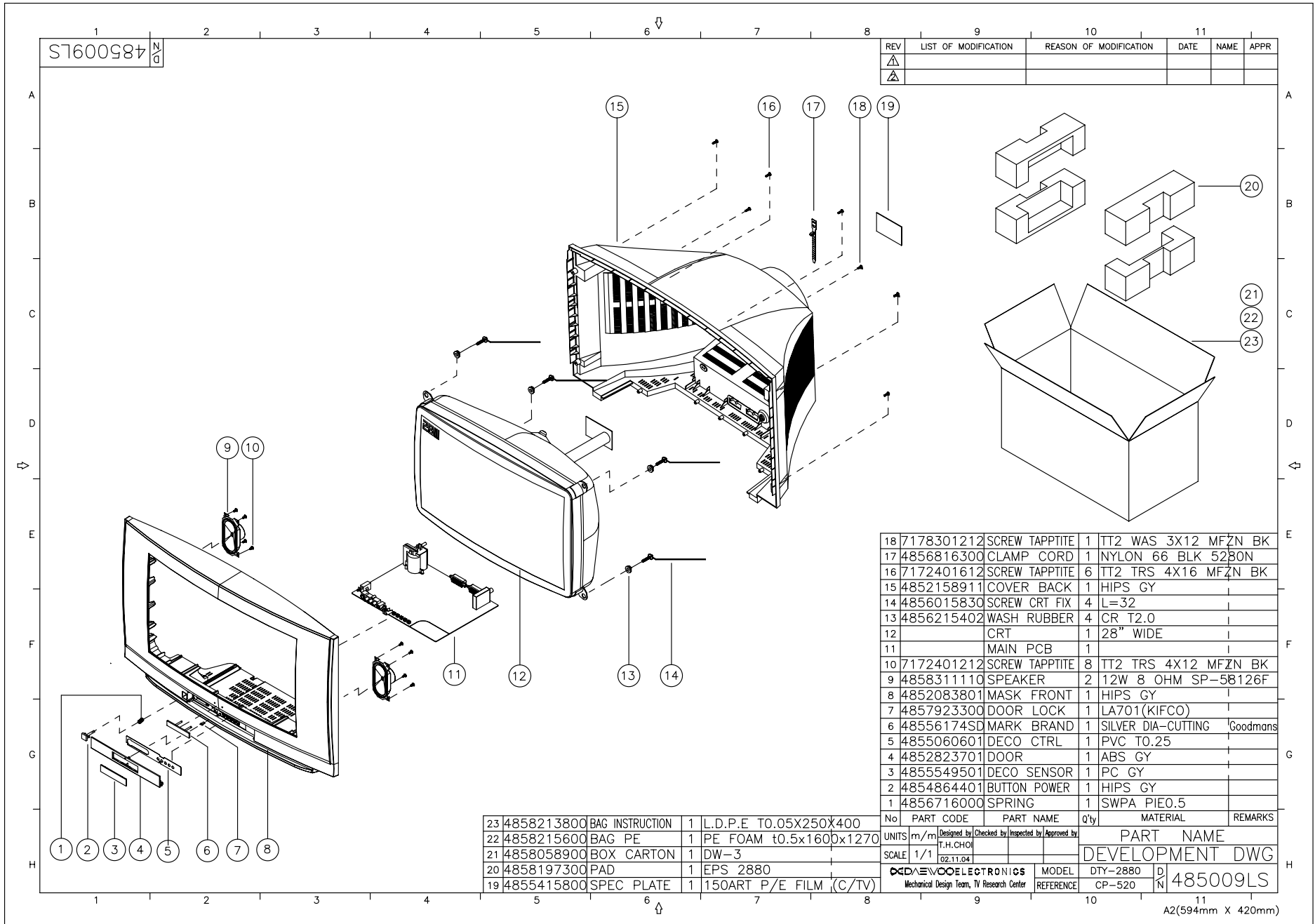
SCALE N/S

DEVELOPMENT DWG

DAEWOO Electronics Corp. MODEL DTY-28A8 D 485009LC
 Mechanical Design Team, TV Research Center REFERENCE CP-520 N

A2(594mm X 420mm)

7-2 DTY-2880



7. Exploded View

7-3 DTY-21U7

485009K6
 N/D

REV	LIST OF MODIFICATION	REASON OF MODIFICATION	DATE	NAME	APPR
△					
△					

15		MAIN PCB	1		
14	4856013302	SCREW CRT FIXING AS	2	30X190 BK	
13		CRT (21" FLAT)	1		
12	4856013300	SCREW CRT FIXING AS	2	30X80 BK	
11	4856219502	WASHER RUBBER	4	CR T2.0 BLACK	
10	7128301011	SCREW TAPPING	2	T2S WAS 3X10 MFZN	
9	4854952901	BUTTON CH	1	ABS GY	
8	4855547601	DECO SENSOR	1	PMMA MILKY	
7	7128301011	SCREW TAPPING	8	T2S WAS 3X10 MFZN	
6	4858314910	SPEAKER	2	SP-33129A03	
5	4855617500	MARK BRAND	1	A1050P-H24 T0.4	
4	4857539601	COVER JACK	1	ABS GY	
3	4856716000	SPRING	1	SWPA PIE T0.5	
2	4854862501	BUTTON POWER	1	ABS GY	
1	4852081201	MASK FRONT	1	HIPS GY	

NO	PART CODE	PART NAME	QTY	MATERIAL	REMARKS
22	4858059100	BOX CARTON	1	DW-3	
21	4858100L00	PAD	1	EPS 21U7	
20	7128301211	SCREW TAPPING	1	T2S WAS 3X12 MFZN	
19	4855415800	SPEC PLATE	1	150 ART P/E FILM(C/TV)	
18	4852161901	COVER BACK	1	HIPS GY	
17	7122401412	SCREW TAPPING	6	T2S TRS 4X14 MFZN BK	
16	4857817610	CLOTH BLACK	2	FELT 300X20X0.7	

NO	PART CODE	PART NAME	QTY	MATERIAL	REMARKS

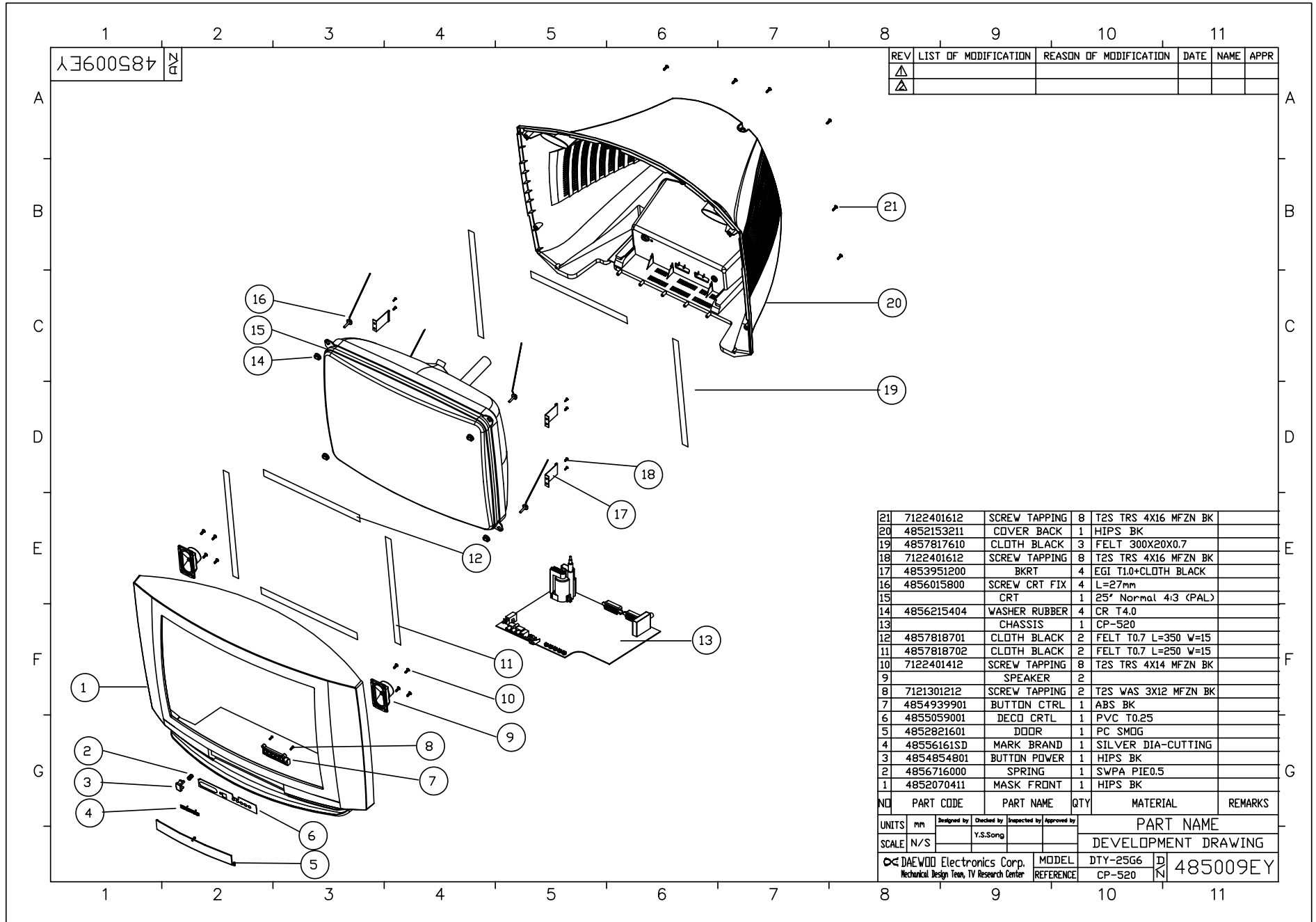
UNITS	mm	Designed by	Checked by	Inspected by	Approved by
SCALE	1/1		B.D.Yum		
			2002.02.08		

MODEL	DTY-21U7	D	485009K6
REFERENCE	CP-520	N	

ASSY NAME
 DEVELOPMENT DWG (1/1)

A3(420mm X 297mm)

7-4 DTY-25G6



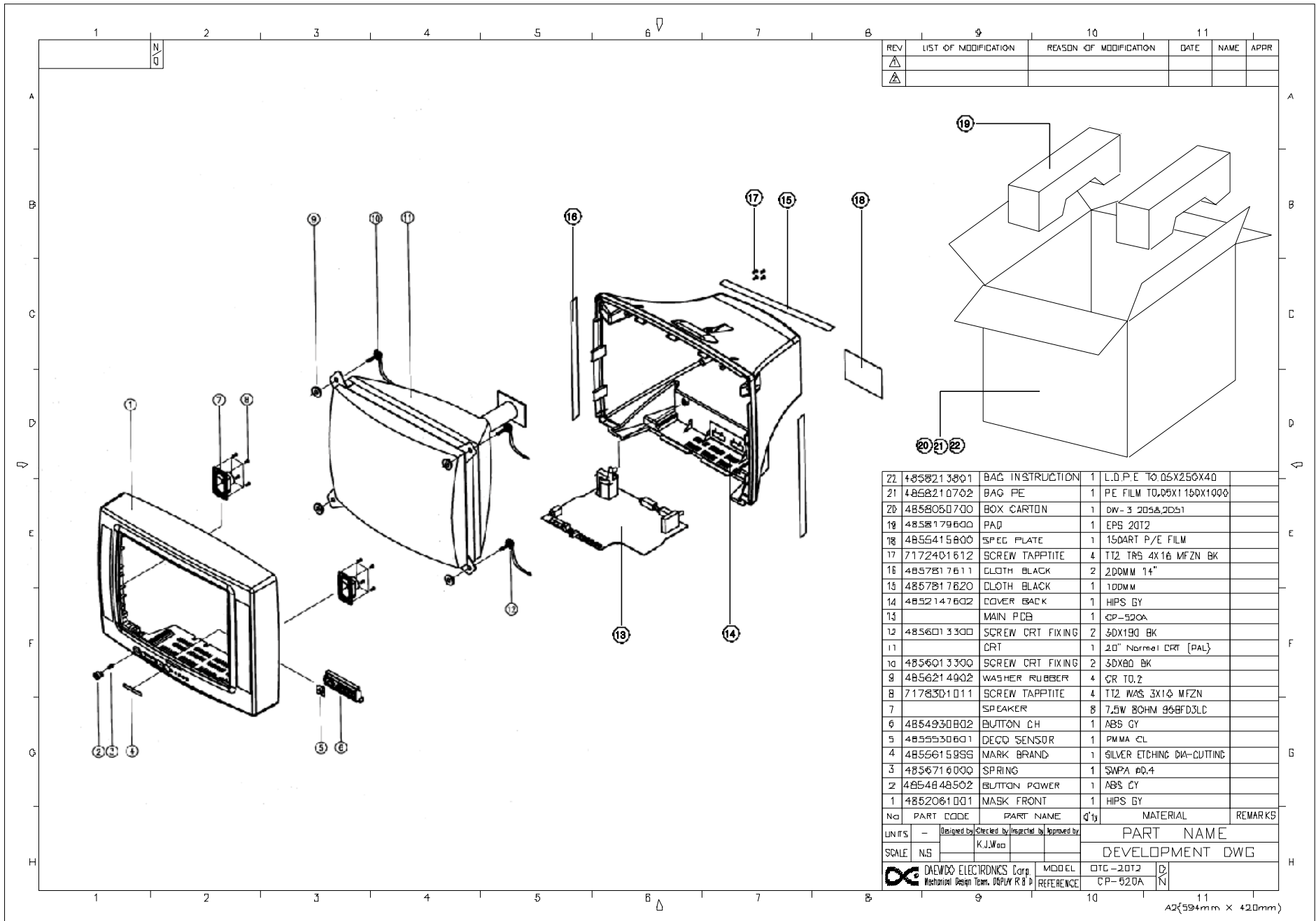
REV	LIST OF MODIFICATION	REASON OF MODIFICATION	DATE	NAME	APPR
Δ					
Δ					

21	7122401612	SCREW TAPPING	8	T2S TRS 4X16 MFZN BK	
20	4852153211	COVER BACK	1	HIPS BK	
19	4857817610	CLOTH BLACK	3	FELT 300X20X0.7	
18	7122401612	SCREW TAPPING	8	T2S TRS 4X16 MFZN BK	
17	4853951200	BKRT	4	EGI T1.0+CLOTH BLACK	
16	4856015800	SCREW CRT FIX	4	L=27mm	
15		CRT	1	25" Normal 4:3 (PAL)	
14	4856215404	WASHER RUBBER	4	CR T4.0	
13		CHASSIS	1	CP-520	
12	4857818701	CLOTH BLACK	2	FELT T0.7 L=350 W=15	
11	4857818702	CLOTH BLACK	2	FELT T0.7 L=250 W=15	
10	7122401412	SCREW TAPPING	8	T2S TRS 4X14 MFZN BK	
9		SPEAKER	2		
8	7121301212	SCREW TAPPING	2	T2S WAS 3X12 MFZN BK	
7	4854939901	BUTTON CTRL	1	ABS BK	
6	4855059001	DECO CTRL	1	PVC T0.25	
5	4852821601	DOOR	1	PC SMOG	
4	48556161SD	MARK BRAND	1	SILVER DIA-CUTTING	
3	4854854801	BUTTON POWER	1	HIPS BK	
2	4856716000	SPRING	1	SWPA PIE0.5	
1	4852070411	MASK FRONT	1	HIPS BK	

NO	PART CODE	PART NAME	QTY	MATERIAL	REMARKS

UNITS	mm	Designed by	Checked by	Inspected by	Approved by	PART NAME	
SCALE	N/S		Y.S.Song			DEVELOPMENT DRAWING	
DAEWOO Electronics Corp.		MODEL	DTY-25G6	D	485009EY		
Mechanical Design Team, TV Research Center		REFERENCE	CP-520	K			

7-5 DTC-20T2



REV	LIST OF MODIFICATION	REASON OF MODIFICATION	DATE	NAME	APPR
△					
△					

22	48582138Q1	BAG INSTRUCTION	1	L.D.P.E TO 05X250X40	
21	48582107Q2	BAG PE	1	PE FILM TO,05X115DX1000	
20	48580507Q0	BOX CARTON	1	DW-3 2058,2D51	
19	48581796Q0	PAD	1	EPS 20T2	
18	48564158Q0	SPEC PLATE	1	150ART P/E FILM	
17	7172401612	SCREW TAPPTITE	4	T12 TRS 4X16 MFZN BK	
16	4857817611	CLOTH BLACK	2	2D0MM 14"	
15	4857817620	CLOTH BLACK	1	100MM	
14	48521478Q2	COVER BACK	1	HIPS GY	
13		MAIN PCB	1	CP-520A	
12	48560133Q0	SCREW CRT FIXING	2	3DX190 BK	
11		CRT	1	20" Normal CRT (PAL)	
10	48560133Q0	SCREW CRT FIXING	2	3DX80 BK	
9	48562149Q2	WASHER RUBBER	4	CR TO,2	
8	71783D1011	SCREW TAPPTITE	4	T12 WAS 3X16 MFZN	
7		SPEAKER	8	7,5W BOHM 96BFD3LD	
6	48549508Q2	BUTTON CH	1	ABS GY	
5	48555306Q1	DECD SENSOR	1	PMMA CL	
4	48566158SS	MARK BRAND	1	SILVER ETCHING CIA-CUTTING	
3	48567160Q0	SPRING	1	SMPA 00,4	
2	48548485Q2	BUTTON POWER	1	ABS GY	
1	48520610Q1	MASK FRONT	1	HIPS GY	

No	PART CODE	PART NAME	Qty	MATERIAL	REMARKS
UNITS	-	Designed by: K.J.Woo	Checked by:	Inspected by:	Approved by:
SCALE	N.S	PART NAME			
DEVELOPMENT DWG					
DREWING ELECTRONICS Corp		MODEL	DTC-20T2	D	
Mechanical Design Team, DISPLAY R & D		REFERENCE	CP-520A	N	

A2(594mm x 420mm)

7. Exploded View

7-6 DTC-21Y1

485009FC N/D

REV	LIST OF MODIFICATION	REASON OF MODIFICATION	DATE	NAME	APPR
△					
△					

15	7122401412	SCREW TAPPING	4	T2S TRS 4X14 MFZN BK	
14	4852156101	COVER BACK	1	HIPS BK	
13	4855415800	SPEC PLATE	1	150 ART P/E FILM(C/TV)	
12		MAIN PCB	1		CP-520A
11	4856013303	SCREW CRT FIXING AS	2	L=240MM	
10	4856214902	WASHER RUBBER	4	CR T2.0	
9		CRT	1	21" Normal CRT (PAL)	
8	4856013300	SCREW CRT FIXING AS	2	L=70MM	
7	7128301211	SCREW TAPPING	8	T2S WAS 3X12 MFZN	
6		SPEAKER	2		
5-2	4854945701	BUTTON	1	ABS BK	
5-1	4855541101	DECO SENSOR	1	PMMA MILKY	
5	4851939401	BUTTON CTRL AS	1	4945701 + 5541101	
4	48556175SD	MARK BRAND	1	SILVER DIA-CUTTING	
3	4856716000	SPRING	1	SWPA PIE T0.5	
2	4854856501	BUTTON POWER	1	ABS BK	
1	4852074101	MASK FRONT	1	HIPS BK	

No	PART CODE	PART NAME	Q'ty	MATERIAL	REMARKS
19	6520010200	STAPLE PIN	12	18M/M JADONG	
18	4858261300	BAG PE	1	LDPE T0.02X1300X1000	
17	4858056600	BOX CARTON	1	DW-2	
16	4858193601	PAD	1	EPS 21Y1	

UNITS	m/m	Designed by	Checked by	Inspected by	Approved by	PART NAME	
SCALE	N/S			76 72		DEVELOPMENT DWG	
				99.06.09		485009FC	
Daewoo Electronics CO.,LTD. Mechanical Design Team, TV Research Center		MODEL	DTC-21Y1	D	485009FC		
		REFERENCE	CP-520A	N			

A3(420mm X 297mm)

7. Exploded View

7-7 DTZ-29U7

Exploded view diagram of the DTZ-29U7 television set. The diagram shows the main PCB (10), CRT (11), speaker (5), buttons (1, 2, 3, 4, 8, 9), and various screws and washers (12, 13, 14, 15, 16, 17, 18, 19, 20, 21). The parts list table is as follows:

REV	LIST OF MODIFICATION	REASON OF MODIFICATION	DATE	NAME	APPR
△					
△					

21	4858213800	BAG INSTRUCTION	1	L.D.P.E T.05X250X400	
20	4858215600	BAG PE	1	PE FOAM t0.5x1600x1270	
19	4858062700	BOX CARTON	1	DW-3	
18	4858101500	PAD	1	EPS 29U7	
17	4855415800	SPEC PLATE	1	150ART P/E FILM (C/TV)	
16	7172401612	SCREW TAPTITE	1	TT2 TRS 4X16 MFZN BK	
15	7172401212	SEREW TAPTITE	8	TT2 TRS 4X12 MFZN BK	
14	4852163301	COVER BACK	1	HIPS GY	
13	4856015820	SCREW CRT FIX	4	SWRM+SK5 L=35	
12	4856215402	WASHER RUBBER	4	CR T2.0	
11		CRT	1	29" FLAT (PAL)	
10		MAIN PCB	1	CP-520F	
9	7178301011	SEREW TAPTITE	2	TT2 WAS 3X10 MFZN	
8	4854955401	BUTTON CH	1	HIPS GY	
7	4855549601	DECO SENSOR	1	GPPS MILKY	
6	7172401212	SCREW TAPTITE	4	TT2 TRS 4X12 MFZN BK	
5	4858315210	SPEAKER	2	SP-78128F02	
4	4852083901	MASK FRONT	1	HIPS GY	
3	4921300100	BRAND MARK	1	A1	
2	4856716000	SPRING	1	SWPA PIE0.5	
1	4854864501	BUTTON POWER	1	HIPS GY	

No	PART CODE	PART NAME	Q'ty	MATERIAL	REMARKS

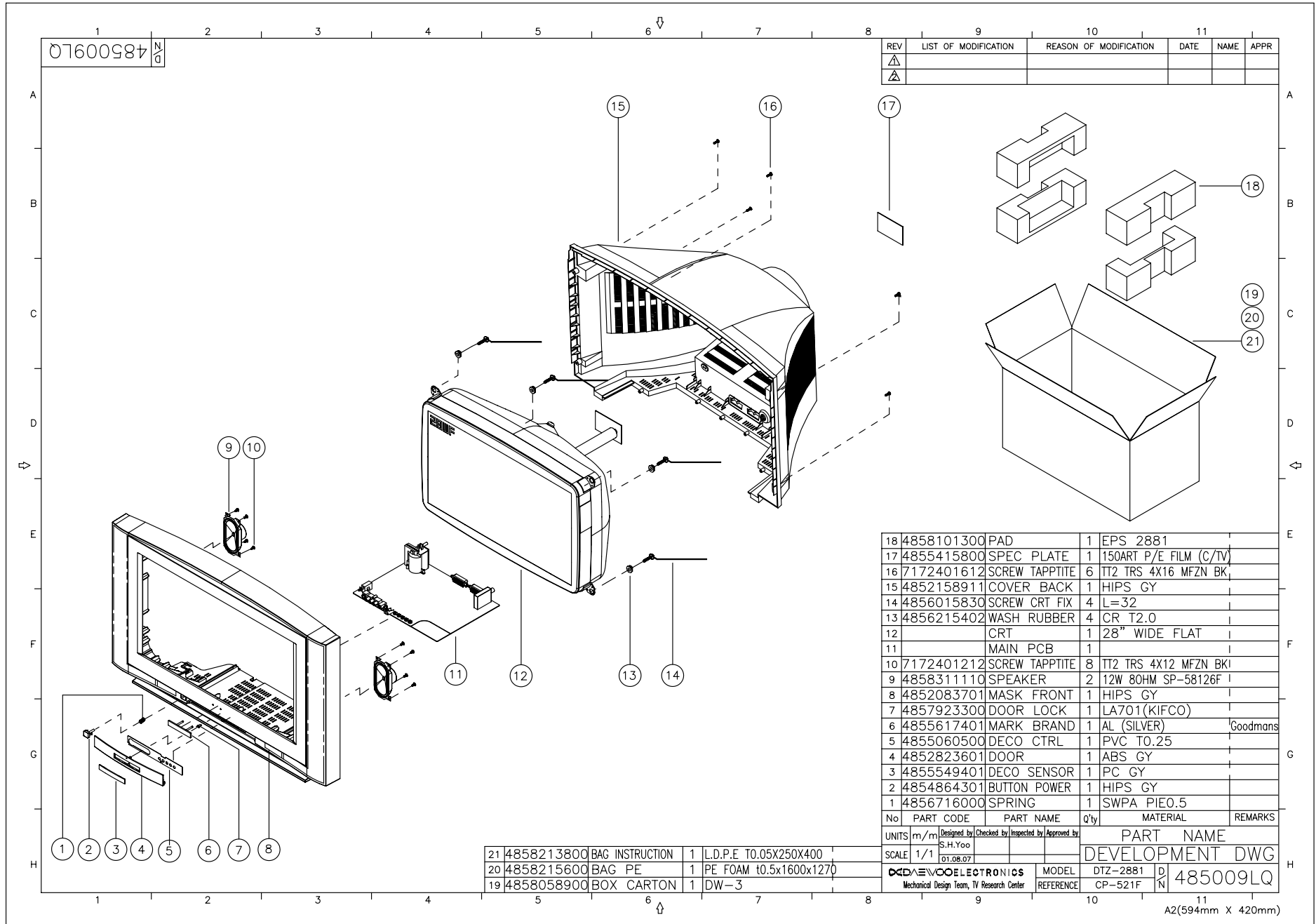
UNITS	Designed by	Checked by	Inspected by	Approved by	PART NAME
m/m					
N/S	K.J.Woo				DEVELOPMENT DWG
	11/SEP/03				

SCALE	MODEL	DTZ-29U7	D	485009LU
N/S	DTZ-29U7			
	CP-520F			

CD ELECTRONICS MECHANICAL DESIGN TEAM, TV RESEARCH CENTER
 REFERENCE: DTZ-29U7 CP-520F
 11/SEP/03

A2(594mm X 420mm)

7-8 DTZ-2881



7-9 DTZ-2481

