

6 SERVICE PARTS LIST

★Caution

: In this Manual, some parts can be changed for improving their performance without notice in the parts list. So, if you need the latest parts information, please refer to PPL(Parts Price List)in Service Information Center(<http://svc.dwe.co.kr>)

IMPORTANT SAFETY NOTICE

Components Identified by \triangle mark have special characteristics important for safety.

When replacing any of these components, use only manufacturers specified parts. In case of

Ordering these spare parts, please always add the complete Model-Type number to your order.

NO	LOC	PARTS CODE	PARTS NAME	PARTS DESCRIPTION	REMARK
1	ZZ100	PTACPWL2950F	ACCESSORY AS	DTL-2950FZF-S	
2	12000	48B5849C1001	TRANSMITTER REMOCON	R-49C10	
3	13000	4850Q00910	BATTERY	AAA R03 SUPERGARD/ROCKET	
4	14000	4858213801	BAG INSTRUCTION	L. D. P. E. T0. 05X250X400	
5	ZZ120	PTBCSHL2950S	COVER BACK AS	DTL-2950FZF-S	
6	M211	4852174911	COVER BACK	2950 HIPS GY8301A	
7	M211D	4857817630	CLOTH BLACK	FELT T0.7 L=400	
8	M541	4855415800	S/PLATE	150ART P/E FILM (C/TV)	
9	M542	485580002207	LABEL SERIAL	ART 90	
10	ZZ130	PTCACAL2950FFS	CABINET AS	DTL-2950FZF-S	
11	M201A	4856017752	SCREW CRT FIX	6X35 L120 YL 3CR	
12	M201B	4856219502	WASHER RUBBER	CR T2.0 BLACK	
13	M201C	7178301051	SCREW TAPPTITE	TT2 WAS 3X10 MFZN 3CR	
14	M201D	4856017800	SCREW SPKR FIX	SWRM+SECC 3CR	
15	M211A	7172401652	SCREW TAPPTITE	TT2 TRS 4X16 MFZN BK 3CR	
16	M211B	7172401652	SCREW TAPPTITE	TT2 TRS 4X16 MFZN BK 3CR	
17	M352	2TF01612CL	TAPE FILAMENT	12MMX55ME CLEAR	
18	M481	485487071101	BUTTON POWER	2950 GY340A+SV2405BP	
19	M481A	4856716000	SPRING	14Q1/M3 SWPA PIE0.5	
20	M561	48556293SD02	MARK BRAND	"DAEWOO 25" "29" "32" "NEW"	
21	PWC1	4859906210	CORD POWER	W/F 6-LO (LOMAX NEW)	\triangle
22	SP01A	4856017800	SCREW SPKR FIX	SWRM+SECC 3CR	
23	SP02A	4856017800	SCREW SPKR FIX	SWRM+SECC 3CR	
24	V901	4859650560	"CRT (PHILIPS 29")"	A68ERS870X05 P38	\triangle
25	ZZ131	58G0000182	COIL DEGAUSSING	DC-29SF AL	\triangle
26	ZZ132	48519A7810	CRT GROUND AS	2903S-1015-1P	
27	ZZ200	PTFMSJL2950S	MASK FRONT AS	DTL-2950FZF-S	
28	M201	4852092411	MASK FRONT	2950 HIPS GY	
29	ZZ201	PTSPPWL2950F	SPEAKER AS	DTL-2950FZF-S	
30	51100	4850704S28	CONN AS	YH025-04+35089+ULW=600	
31	SP01	48A8309300	SPEAKER SYSTEM	SS-58126F04	
32	SP02	48A8309300	SPEAKER SYSTEM	SS-58126F04	
33	ZZ280	PTSBMSL2950FF	PCB SUB MANUAL AS	DTL-2950FZF-S	
34	C801	CL1UC3474M	C LINE ACROSS	0.47MF 1J(UCVSNDF/SV	\triangle
35	DL01	DH1L25RS—	LED(REDF)	HI-L25RS	
36	DL02	DH1L25G—	"LED (R,G-3 COLOR)"	HI-L25G	
37	F801	5FSCB4022R	FUSE CERA	SEMKO F4AH 4A 250V MF51	\triangle

NO	LOC	PARTS CODE	PARTS NAME	PARTS DESCRIPTION	REMARK
38	HP01	4859105240	JACK PHONO	LGT1516-0100	
39	I703	1TS0P4838Y	IC PREAMP	TSOP34838YA1	
40	JPA3	4859105450	JACK PIN BOARD	YSC03P-4120-9S	
41	JPA4	4859105340	JACK S-VHS	DSW-10 (STRAIGHT)	
42	LF801	5PLF24A3—	FILTER LINE	LF-24A3	
43	LF802	58C0000153	COIL CHOKE PFC	6001.0016B	
44	M201E	7178301051	SCREW TAPPTITE	TT2 WAS 3X10 MFZN 3CR	
45	M231	485233251102	PANEL CTRL	2950 ABS GY	
46	M231A	7178301051	SCREW TAPPTITE	TT2 WAS 3X10 MFZN 3CR	
47	M351	485356811101	HOLDER SENSOR	2950 GY340A(SILVER)	
48	M491	485496331101	BUTTON CTRL	2950 ABS GY	
49	M551	485555530001	DECO SENSOR	2950 GPPS GY9304AT	
50	P702A	4850703N43	CONNECTOR	YH025-03+YBH250-03+ULW=500	
51	P703A	4850704S02	CONN AS	YH025-04+YST025+ULW=200	
52	P801	4859287320	CONN WAFER	MKS2822 (LOMAX NEW TYPE)	
53	P803	4859238620	CONN WAFER	YPW500-02	
54	PA01A	4850712S05	CONNECTOR	YH025-12+YBNH250-12+ULW=400	
55	SW801	5S40101146	SW POWER PUSH	SS-160-7-B	△
56	ZZ200	PTSBJBL2950FF	PCB SUB EYE LET AS	DTL-2950FZF-S	
57	E1	4856310300	EYE LET	BSR T0.2 (R1.6) SMALL	
58	E2	4856310300	EYE LET	BSR T0.2 (R1.6) SMALL	
59	E3	4856310300	EYE LET	BSR T0.2 (R1.6) SMALL	
60	E4	4856310300	EYE LET	BSR T0.2 (R1.6) SMALL	
61	E5	4856310300	EYE LET	BSR T0.2 (R1.6) SMALL	
62	E6	4856310300	EYE LET	BSR T0.2 (R1.6) SMALL	
63	E7	4856310300	EYE LET	BSR T0.2 (R1.6) SMALL	
64	ZZ200	PTSBJRL2950FF	PCB SUB RADIAL AS	DTL-2950FZF-S	
65	C690	CEXF1H479V	C ELECTRO	50V RSS 4.7MF (5*11) TP	
66	C691	CEXF1H479V	C ELECTRO	50V RSS 4.7MF (5*11) TP	
67	C770	CEXF1C101V	C ELECTRO	16V RSS 100MF (6.3X11) TP	
68	CA21	CCXB1H472K	C CERA	50V B 4700PF K (TAPPING)	
69	F801A	4857415001	CLIP FUSE	PFC5000-0702	
70	F801B	4857415001	CLIP FUSE	PFC5000-0702	
71	Q506	T2SC5343Y-	TR	2SC5343Y	
72	Q507	T2SA1980Y-	TR	2SA1980Y	
73	SW700	5S50101Z90	SW TACT	SKHV10910A	
74	SW701	5S50101Z90	SW TACT	SKHV10910A	
75	SW702	5S50101Z90	SW TACT	SKHV10910A	
76	SW703	5S50101Z90	SW TACT	SKHV10910A	
77	SW704	5S50101Z90	SW TACT	SKHV10910A	
78	SW705	5S50101Z90	SW TACT	SKHV10910A	
79	Z601	5PXF1B471M	FILTER EMI	CFI 06 B 1H 470PF	
80	Z602	5PXF1B471M	FILTER EMI	CFI 06 B 1H 470PF	
81	Z603	5PXF1B471M	FILTER EMI	CFI 06 B 1H 470PF	
82	Z604	5PXF1B471M	FILTER EMI	CFI 06 B 1H 470PF	

NO	LOC	PARTS CODE	PARTS NAME	PARTS DESCRIPTION	REMARK
83	ZZ200	PTSBJAL2950FF	PCB SUB AXIAL AS	DTL-2950FZF-S	
84	10	2TM14006LB	TAPE MASKING	3M #232 6.0X2000M (W/O GLUE)	
85	20	2TM10006LB	TAPE MASKING	3M #232-MAP-C 6.2X2000M (WITH GLUE)	
86	A001	4859816424	PCB SUB	246X246(120X210X2)D1B	△
87	C608	CCZB1H471K	C CERA	50V B 470PF K (AXIAL)	
88	C609	CCZB1H471K	C CERA	50V B 470PF K (AXIAL)	
89	CA20	CCZB1H472K	C CERA	50V B 4700PF K (AXIAL)	
90	J001	85801060GY	WIRE COPPER	1/0.6 TIN COATING	
91	L701	5CPZ560K02	COIL PEAKING	56UH 3.5MM K (LAL02TB)	
92	R530	RD-AZ151J-	R CARBON FILM	1/6 150 OHM J	
93	R531	RD-AZ151J-	R CARBON FILM	1/6 150 OHM J	
94	R532	RD-AZ102J-	R CARBON FILM	1/6 1K OHM J	
95	R533	RD-AZ102J-	R CARBON FILM	1/6 1K OHM J	
96	R608	RD-2Z151J-	R CARBON FILM	1/2 150 OHM J	
97	R609	RD-2Z151J-	R CARBON FILM	1/2 150 OHM J	
98	R701	RD-AZ101J-	R CARBON FILM	1/6 100 OHM J	
99	R721	RD-AZ181J-	R CARBON FILM	1/6 180 OHM J	
100	R722	RD-AZ221J-	R CARBON FILM	1/6 220 OHM J	
101	R723	RD-AZ331J-	R CARBON FILM	1/6 330 OHM J	
102	R724	RD-AZ471J-	R CARBON FILM	1/6 470 OHM J	
103	R725	RD-AZ681J-	R CARBON FILM	1/6 680 OHM J	
104	R802	RD-2Z824J-	R CARBON FILM	1/2 820K OHM J	
105	RA21	RD-AZ750J-	R CARBON FILM	1/6 75 OHM J	
106	RA22	RD-AZ750J-	R CARBON FILM	1/6 75 OHM J	
107	ZZ290	PTMPMSL2950FF	PCB MAIN MANUAL AS	DTL-2950FZF-S	
108	10	2193110001	SOLDER WIRE	SN-3.0AG (NP303T) 3.0	
109	20	2193110002	SOLDER WIRE	SN-3.0AG-0.5CU (DHB-RMA3)	
110	30	2291050620	FLUX SOLDER	DF-2810U (0.810)	
111	40	2291050314	FLUX SOLVENT	IM-1000	
112	C315	CEXF2A470V	C ELECTRO	100V RSS 47MF (10X16) TP	
113	C402	CMYH3C602J	C MYLAR	1.6KV 6000PF J (BUP)	
114	C404	CMYH3C752J	C MYLAR	1.6KV 7500PF J (BUP)	
115	C408	CMYE2G184J	C MYLAR	400V PU 0.18MF J	
116	C412	CEXF2E479V	C ELECTRO	250V RSS 4.7MF (10X16)TP	
117	C415	CEXF2E479V	C ELECTRO	250V RSS 4.7MF (10X16)TP	
118	C440	CMXE2G223J	C MYLAR	400V PU 0.022MF J	
119	C499	CEYD1H689W	C ELECTRO	50V RHD 6.8MF (16X35.5)	
120	C604	CEXF1E102V	C ELECTRO	25V RSS 1000MF (13X20) TP	
121	C805	CEYD2G181D	C ELECTRO	400V FHS 180MF	
122	C812	CH1BFE472M	C CERA AC	AC400V 4700PF M U/C/V	△
123	C813	CEYF2E470V	C ELECTRO	250V RSS 47MF (16X25)	
124	C814	CEXF2E101V	C ELECTRO	250V RSS 100MF 18X35.5	
125	C820	CCXR3D221K	C CERA	2KV R 220PF K125C	
126	C823	CEXF1E471V	C ELECTRO	25V RSS 470MF (10X16) TP	
127	C840	CEXF1C332V	C ELECTRO	16V RSS 3300MF	

NO	LOC	PARTS CODE	PARTS NAME	PARTS DESCRIPTION	REMARK
128	C861	CEXF1E102C	C ELECTRO	25V RUS 1000MF 13X20 TP	
129	C905	CEXF2E479V	C ELECTRO	250V RSS 4.7MF (10X16)TP	
130	C965	CBXB3D102K	C CERA SEMI	2KV BL(N) 1000PF K (T)	
131	C997	CEXF2E100V	C ELECTRO	250V RSS 10MF (10X20) TP	
132	CP01	CMXF2G124J	C MYLAR	MPP 400V 0.12MF J	
133	CP02	CMXE2J822J	C MYLAR	630V PL 8200PF J	
134	CP04	CEXF1H221V	C ELECTRO	50V RSS 220MF (10X16) TP	
135	CP07	CMYF2J154J	C MYLAR	630V MPP 0.15MF J	
136	D403	DBY228—	DIODE	BY228	
137	D404	DBYW76—	DIODE	BYW76	
138	D407	DRGP30J—	DIODE	RGP30J	
139	D820	DBYW76—	DIODE	BYW76	
140	D860	DRGP30J—	DIODE	RGP30J	
141	I301	1TDA8358J-	IC VERTICAL	TDA8358J	
142	I301A	4857028227	HEAT SINK	AL EX ANODIZING	
143	I301B	7174301051	SCREW TAPPTITE	TT2 RND 3X10 MFZN 3CR	
144	I502	124LC16B1B	IC MEMORY	24LC16B1B	
145	I602	1TDA8946J-	IC AUDIO	TDA8946J	
146	I602A	4857028215	HEAT SINK	AL EX NO ANODOZING	
147	I602B	7174301051	SCREW TAPPTITE	TT2 RND 3X10 MFZN 3CR	
148	I801	1STRW6754-	IC POWER	STR-W6754	
149	I801A	4857024600	HEAT SINK	AL EX B/K	
150	I801B	7174300851	SCREW TAPPTITE	TT2 RND 3X8 MFZN 3CR	
151	I804	1LTV817C—	IC PHOTO COUPLER	LTV-817C	△
152	I806	1DP142—	IC ERROR AMP	DP142	
153	I820	1S7805P1C-	IC REGULATOR	S7805PIC 5.0V 1.0A	
154	I822	1K78R08—	IC REGULATOR	KIA78R08API	
155	I822A	4857026900	HEAT SINK	AL EX	
156	I822B	7174300851	SCREW TAPPTITE	TT2 RND 3X8 MFZN 3CR	
157	I823	1LD1117V33	IC REGULATOR	LD1117AV33 3.3V TO-220	
158	I823A	4857026900	HEAT SINK	AL EX	
159	I823B	7174300851	SCREW TAPPTITE	TT2 RND 3X8 MFZN 3CR	
160	I824	1S7805P1C-	IC REGULATOR	S7805PIC 5.0V 1.0A	
161	I901	1TDA6107AJ	IC VIDEO	TDA6107AJF	
162	I901A	4857031100	HEAT SINK	A1050P-H24 T2.0	
163	I901B	7174300851	SCREW TAPPTITE	TT2 RND 3X8 MFZN 3CR	
164	IA01	1MM1118—	IC A/V SWITCH	MM1118	
165	JPA1	4859200401	SOCKET RGB	SR-21A1 (ANGLE TYPE)	
166	JPA2	4859200401	SOCKET RGB	SR-21A1 (ANGLE TYPE)	
167	L401	58H0000101	COIL H-LINEARITY	TRL-220D	
168	L402	58C7070085	COIL CHOKE	TLN-3062A	
169	L403	58C0000026	COIL BEAD	HC-4035	
170	P401	4850705N18	CONNECTOR	BIC-05T-25T+ULW=400	
171	P403	4859242420	CONN WAFER	YFW800-04	
172	P501	4850705N14	CONNECTOR	BIC-05T-25T+ULW=500	

NO	LOC	PARTS CODE	PARTS NAME	PARTS DESCRIPTION	REMARK
173	P601	4859231720	CONN WAFER	YW025-04	
174	P701	4859231720	CONN WAFER	YW025-04	
175	P702	4859231620	CONN WAFER	YW025-03	
176	P703	4859231720	CONN WAFER	YW025-04	
177	P802	4859242220	CONN WAFER	YFW800-02	
178	P804	4859238620	CONN WAFER	YPW500-02	
179	P804A	4850702N08	CONN AS	YPH500-02+YLT500+USW=300	
180	P903	4859238620	CONN WAFER	YPW500-02	
181	PA01	4859235520	CONN WAFER	YW025-12	
182	Q401	T2SD2578—	TR	2SD2578	
183	Q401A	4857027611	HEAT SINK	AL EX BK	
184	Q401B	7174300851	SCREW TAPPTITE	TT2 RND 3X8 MFZN 3CR	
185	Q807	TKTA1659AY	TR	KTA1659AY	
186	QP03	T1RF640N—	FET	IRF640NPBF	
187	QP03A	4857026902	HEAT SINK	AL EX BK	
188	QP03B	7174300851	SCREW TAPPTITE	TT2 RND 3X8 MFZN 3CR	
189	R393	RS02Y189JS	R M-OXIDE FILM	2W 1.8 OHM J SMALL	
190	R398	RS02Y189JS	R M-OXIDE FILM	2W 1.8 OHM J SMALL	
191	R406	RS02Y221JS	R M-OXIDE FILM	2W 220 OHM J SMALL	
192	R801	DJ5020M270	POSISTOR	J502P72D070M270	△
193	R803	RS02Y338JS	R M-OXIDE FILM	2W 0.33 OHM J SMALL	
194	R806	RS02Y228JS	R M-OXIDE FILM	2W 0.22 OHM J SMALL	
195	R819	RX07B339JP	R CEMENT	7W 3.3 OHM J BEN 15MM 4P	
196	R841	RS02Y399JS	R M-OXIDE FILM	2W 3.9 OHM J SMALL	
197	R842	RS02Y240JS	R M-OXIDE FILM	2W 24 OHM J SMALL	
198	R850	RS02Y159JS	R M-OXIDE FILM	2W 1.5 OHM J SMALL	
199	R920	RS01Y249J-	R M-OXIDE FILM	1W 2.4 OHM J	
200	SCT1	4859303530	SOCKET CRT	PCS629-03C	△
201	T401	50D19A1—	TRANS DRIVE	TD-19A1	
202	T402	50H0000312	FBT	1362.5067	△
203	T801	50M4818A1-	TRANS SMPS	2094.0118A	△
204	U100	4859724930	TUNER VARACTOR	UV1316/AI-4	
205	X501	5XJ24R576E	CRYSTAL QUARTZ	HC-49/S 24.576MHZ 30PPM	
206	Y801	5SC0101003	SW RELAY	DG12D1-0(M)-II 1C-1P	△
207	Z101	5PK3953M—	FILTER SAW	K3953M	
208	Z102	5PK9650M—	FILTER SAW	K9650M	
209	ZZ200	PTMPJBL2950FF	PCB MAIN EYE LET AS	DTL-2950FZF-S	
210	E02	4856310300	EYE LET	BSR T0.2 (R1.6) SMALL	
211	E03	4856310600	EYE LET	BSR 2.3(R2.3) BIG	
212	E04	4856310600	EYE LET	BSR 2.3(R2.3) BIG	
213	E05	4856310600	EYE LET	BSR 2.3(R2.3) BIG	
214	E06	4856310600	EYE LET	BSR 2.3(R2.3) BIG	
215	E07	4856310600	EYE LET	BSR 2.3(R2.3) BIG	
216	E08	4856310600	EYE LET	BSR 2.3(R2.3) BIG	
217	E09	4856310600	EYE LET	BSR 2.3(R2.3) BIG	

NO	LOC	PARTS CODE	PARTS NAME	PARTS DESCRIPTION	REMARK
218	E10	4856310600	EYE LET	BSR 2.3(R2.3) BIG	
219	E13	4856310600	EYE LET	BSR 2.3(R2.3) BIG	
220	E14	4856310600	EYE LET	BSR 2.3(R2.3) BIG	
221	E15	4856310600	EYE LET	BSR 2.3(R2.3) BIG	
222	E16	4856310600	EYE LET	BSR 2.3(R2.3) BIG	
223	E17	4856310600	EYE LET	BSR 2.3(R2.3) BIG	
224	E18	4856310600	EYE LET	BSR 2.3(R2.3) BIG	
225	E19	4856310600	EYE LET	BSR 2.3(R2.3) BIG	
226	E20	4856310600	EYE LET	BSR 2.3(R2.3) BIG	
227	E21	4856310300	EYE LET	BSR T0.2 (R1.6) SMALL	
228	E22	4856310300	EYE LET	BSR T0.2 (R1.6) SMALL	
229	E35	4856310300	EYE LET	BSR T0.2 (R1.6) SMALL	
230	E36	4856310300	EYE LET	BSR T0.2 (R1.6) SMALL	
231	E37	4856310300	EYE LET	BSR T0.2 (R1.6) SMALL	
232	E38	4856310300	EYE LET	BSR T0.2 (R1.6) SMALL	
233	E39	4856310300	EYE LET	BSR T0.2 (R1.6) SMALL	
234	E40	4856310300	EYE LET	BSR T0.2 (R1.6) SMALL	
235	E41	4856310300	EYE LET	BSR T0.2 (R1.6) SMALL	
236	E42	4856310300	EYE LET	BSR T0.2 (R1.6) SMALL	
237	E43	4856310300	EYE LET	BSR T0.2 (R1.6) SMALL	
238	E44	4856310300	EYE LET	BSR T0.2 (R1.6) SMALL	
239	E47	4856310300	EYE LET	BSR T0.2 (R1.6) SMALL	
240	E49	4856310300	EYE LET	BSR T0.2 (R1.6) SMALL	
241	E50	4856310300	EYE LET	BSR T0.2 (R1.6) SMALL	
242	E51	4856310300	EYE LET	BSR T0.2 (R1.6) SMALL	
243	E52	4856310300	EYE LET	BSR T0.2 (R1.6) SMALL	
244	E53	4856310300	EYE LET	BSR T0.2 (R1.6) SMALL	
245	E55	4856310300	EYE LET	BSR T0.2 (R1.6) SMALL	
246	E56	4856310600	EYE LET	BSR 2.3(R2.3) BIG	
247	E57	4856310600	EYE LET	BSR 2.3(R2.3) BIG	
248	E58	4856310600	EYE LET	BSR 2.3(R2.3) BIG	
249	E59	4856310600	EYE LET	BSR 2.3(R2.3) BIG	
250	ZZ200	PTMPJ2L2950FF	PCB CHIP MOUNT B AS	DTL-2950FZF-S	
251	I501	1TDA21HF01	IC MICOM FLASH	TDA12021H1/N1/F01	
252	ZZ200	PTMPJRL2950FF	PCB MAIN RADIAL AS	DTL-2950FZF-S	
253	C102	CEXF1E470V	C ELECTRO	25V RSS 47MF (5X11) TP	
254	C104	CCXB1H102K	C CERA	50V B 1000PF K (TAPPING)	
255	C106	CEXF1H220V	C ELECTRO	50V RSS 22MF (5X11) TP	
256	C121	CEXF1H100V	C ELECTRO	50V RSS 10MF (5X11) TP	
257	C122	CEXF1H100V	C ELECTRO	50V RSS 10MF (5X11) TP	
258	C305	CEXF1E221V	C ELECTRO	25V RSS 220MF (8X11.5) TP	
259	C313	CMXM2A104J	C MYLAR	100V 0.1MF J TP	
260	C320	CBXF1H104Z	C CERA SEMI	50V F 0.1MF Z (TAPPING)	
261	C350	CMXM2A683J	C MYLAR	100V 0.068MF J TP	
262	C351	CMXM2A473J	C MYLAR	100V 0.047MF J TP	

NO	LOC	PARTS CODE	PARTS NAME	PARTS DESCRIPTION	REMARK
263	C370	CCXF1H473Z	C CERA	50V F 0.047MF Z (TAPPING)	
264	C401	CEXF1H101V	C ELECTRO	50V RSS 100MF (8*11.5) TP	
265	C406	CCXB2H561K	C CERA	500V B 560PF K (TAPPING)	
266	C407	CCXB2H102K	C CERA	500V B 1000PF K (TAPPING)	
267	C414	CMXM2A104J	C MYLAR	100V 0.1MF J TP	
268	C418	CCXB1H102K	C CERA	50V B 1000PF K (TAPPING)	
269	C420	CCXB2H222K	C CERA	500V B 2200PF K (TAPPING)	
270	C421	CCXF1H473Z	C CERA	50V F 0.047MF Z (TAPPING)	
271	C430	CXSL2H560J	C CERA	500V SL 56PF J (TAPPING)	
272	C501	CEXF1C470V	C ELECTRO	16V RSS 47MF (5X11) TP	
273	C502	CEXF1C470V	C ELECTRO	16V RSS 47MF (5X11) TP	
274	C505	CBXF1H104Z	C CERA SEMI	50V F 0.1MF Z (TAPPING)	
275	C507	CBXF1H104Z	C CERA SEMI	50V F 0.1MF Z (TAPPING)	
276	C508	CEXF1C470V	C ELECTRO	16V RSS 47MF (5X11) TP	
277	C509	CBXF1H104Z	C CERA SEMI	50V F 0.1MF Z (TAPPING)	
278	C510	CEXF1E101V	C ELECTRO	25V RSS 100MF (6.3X11) TP	
279	C513	CMXL1J224J	C MYLAR	63V MEU 0.22MF J TP	
280	C515	CBXF1H104Z	C CERA SEMI	50V F 0.1MF Z (TAPPING)	
281	C516	CBXF1H104Z	C CERA SEMI	50V F 0.1MF Z (TAPPING)	
282	C517	CEXF1C101V	C ELECTRO	16V RSS 100MF (6.3X11) TP	
283	C520	CEXF1H100V	C ELECTRO	50V RSS 10MF (5X11) TP	
284	C521	CMXM2A222J	C MYLAR	100V 2200PF J TP	
285	C522	CBXF1H104Z	C CERA SEMI	50V F 0.1MF Z (TAPPING)	
286	C524	CMXM2A682J	C MYLAR	100V 6800PF J TP	
287	C525	CEXF1H479V	C ELECTRO	50V RSS 4.7MF (5*11) TP	
288	C526	CMXL1J224J	C MYLAR	63V MEU 0.22MF J TP	
289	C527	CEXF1H100V	C ELECTRO	50V RSS 10MF (5X11) TP	
290	C528	CCXF1H223Z	C CERA	50V F 0.022MF Z (TAPPING)	
291	C529	CMXL1J154J	C MYLAR	63V MEU 0.15MF J	
292	C534	CEXF1H229V	C ELECTRO	50V RSS 2.2MF (5X11) TP	
293	C535	CEXF1H478V	C ELECTRO	50V RSS 0.47MF (5X11) TP	
294	C536	CEXF1H478V	C ELECTRO	50V RSS 0.47MF (5X11) TP	
295	C537	CEXF1H229V	C ELECTRO	50V RSS 2.2MF (5X11) TP	
296	C538	CEXF1H229V	C ELECTRO	50V RSS 2.2MF (5X11) TP	
297	C539	CMXM2A332J	C MYLAR	100V 3300PF J TP	
298	C540	CMXL1J104J	C MYLAR	63V MEU 0.1MF J	
299	C542	CEXF1H100V	C ELECTRO	50V RSS 10MF (5X11) TP	
300	C543	CEXF1H229V	C ELECTRO	50V RSS 2.2MF (5X11) TP	
301	C545	CEXF1H229V	C ELECTRO	50V RSS 2.2MF (5X11) TP	
302	C547	CEXF1H100V	C ELECTRO	50V RSS 10MF (5X11) TP	
303	C548	CEXF1H100V	C ELECTRO	50V RSS 10MF (5X11) TP	
304	C549	CEXF1H478V	C ELECTRO	50V RSS 0.47MF (5X11) TP	
305	C552	CEXF1H478V	C ELECTRO	50V RSS 0.47MF (5X11) TP	
306	C553	CEXF1H478V	C ELECTRO	50V RSS 0.47MF (5X11) TP	
307	C554	CEXF1H478V	C ELECTRO	50V RSS 0.47MF (5X11) TP	

NO	LOC	PARTS CODE	PARTS NAME	PARTS DESCRIPTION	REMARK
308	C558	CBXF1H104Z	C CERA SEMI	50V F 0.1MF Z (TAPPING)	
309	C560	CEXF1H229V	C ELECTRO	50V RSS 2.2MF (5X11) TP	
310	C561	CEXF1H229V	C ELECTRO	50V RSS 2.2MF (5X11) TP	
311	C563	CEXF1H100V	C ELECTRO	50V RSS 10MF (5X11) TP	
312	C567	CEXF1H100V	C ELECTRO	50V RSS 10MF (5X11) TP	
313	C568	CBXF1H104Z	C CERA SEMI	50V F 0.1MF Z (TAPPING)	
314	C569	CEXF1E470V	C ELECTRO	25V RSS 47MF (5X11) TP	
315	C574	CBXF1H104Z	C CERA SEMI	50V F 0.1MF Z (TAPPING)	
316	C576	CBXF1H104Z	C CERA SEMI	50V F 0.1MF Z (TAPPING)	
317	C577	CEXF1C101V	C ELECTRO	16V RSS 100MF (6.3X11) TP	
318	C581	CBXF1H104Z	C CERA SEMI	50V F 0.1MF Z (TAPPING)	
319	C582	CEXF1C101V	C ELECTRO	16V RSS 100MF (6.3X11) TP	
320	C586	CBXF1H104Z	C CERA SEMI	50V F 0.1MF Z (TAPPING)	
321	C587	CCXB1H102K	C CERA	50V B 1000PF K (TAPPING)	
322	C591	CBXF1H104Z	C CERA SEMI	50V F 0.1MF Z (TAPPING)	
323	C602	CEXF1E470V	C ELECTRO	25V RSS 47MF (5X11) TP	
324	C603	CEXF1H478V	C ELECTRO	50V RSS 0.47MF (5X11) TP	
325	C625	CEXF1H479V	C ELECTRO	50V RSS 4.7MF (5*11) TP	
326	C660	CEXF1H100V	C ELECTRO	50V RSS 10MF (5X11) TP	
327	C661	CMXM2A224J	C MYLAR	100V 0.22MF J	
328	C662	CMXM2A224J	C MYLAR	100V 0.22MF J	
329	C665	CCXB1H222K	C CERA	50V B 2200PF K (TAPPING)	
330	C667	CCXB1H222K	C CERA	50V B 2200PF K (TAPPING)	
331	C668	CMXM2A393J	C MYLAR	100V 0.039MF J TP	
332	C669	CMXM2A393J	C MYLAR	100V 0.039MF J TP	
333	C771	CEXF1H100V	C ELECTRO	50V RSS 10MF (5X11) TP	
334	C803	CCXF3A472Z	C CERA	1KV F 4700PF Z (T)	
335	C804	CCXF3A472Z	C CERA	1KV F 4700PF Z (T)	
336	C806	CCXR3A102K	C CERA	1KV R 1000PF (T) 125C	
337	C807	CEXF1H109V	C ELECTRO	50V RSS 1MF (5X11) TP	
338	C810	CEXF1H220V	C ELECTRO	50V RSS 22MF (5X11) TP	
339	C811	CMXM2A473J	C MYLAR	100V 0.047MF J TP	
340	C830	CEXF1H479V	C ELECTRO	50V RSS 4.7MF (5*11) TP	
341	C831	CEXF1H330V	C ELECTRO	50V RSS 33MF (6.3X11) TP	
342	C833	CCXB1H821K	C CERA	50V B 820PF K (TAPPING)	
343	C834	CCXF1H103Z	C CERA	50V F 0.01MF Z (TAPPING)	
344	C835	CEXF1E470V	C ELECTRO	25V RSS 47MF (5X11) TP	
345	C844	CEXF1E101V	C ELECTRO	25V RSS 100MF (6.3X11) TP	
346	C845	CEXF1H100V	C ELECTRO	50V RSS 10MF (5X11) TP	
347	C846	CEXF1H100V	C ELECTRO	50V RSS 10MF (5X11) TP	
348	C847	CEXF1H100V	C ELECTRO	50V RSS 10MF (5X11) TP	
349	C862	CEXF1E101V	C ELECTRO	25V RSS 100MF (6.3X11) TP	
350	C863	CEXF1C101V	C ELECTRO	16V RSS 100MF (6.3X11) TP	
351	C866	CCXR3A471K	C CERA	1KV R 470PF K 125C	
352	C901	CCXB1H221K	C CERA	50V B 220PF K (TAPPING)	

NO	LOC	PARTS CODE	PARTS NAME	PARTS DESCRIPTION	REMARK
353	C968	CMXL2E104K	C MYLAR	250V 0.1MF K MEU TP	
354	CA10	CCXB1H102K	C CERA	50V B 1000PF K (TAPPING)	
355	CA30	CEXF1H100V	C ELECTRO	50V RSS 10MF (5X11) TP	
356	CA31	CEXF1H100V	C ELECTRO	50V RSS 10MF (5X11) TP	
357	CA32	CEXF1C470V	C ELECTRO	16V RSS 47MF (5X11) TP	
358	CP05	CEXF1H100V	C ELECTRO	50V RSS 10MF (5X11) TP	
359	CP06	CCXB3A102K	C CERA	1KV B 1000PF K (TAPPING)	
360	G900	4SG0DX0001	SPARK GAP	SSG-102-A1 (1.0KV)	
361	G901	4SG0DX0001	SPARK GAP	SSG-102-A1 (1.0KV)	
362	G902	4SG0DX0001	SPARK GAP	SSG-102-A1 (1.0KV)	
363	G903	4SG0DX0001	SPARK GAP	SSG-102-A1 (1.0KV)	
364	G904	4SG0DX0001	SPARK GAP	SSG-102-A1 (1.0KV)	
365	L802	58CX430599	COIL CHOKE	AZ-9004Y 940K TP	
366	Q120	T2SC5343Y-	TR	2SC5343Y	
367	Q402	T2SD1207T-	TR	2SD1207-T (TAPPING)	
368	Q501	T2SC5343Y-	TR	2SC5343Y	
369	Q502	T2SA1980Y-	TR	2SA1980Y	
370	Q503	T2SC5343Y-	TR	2SC5343Y	
371	Q504	T2SA1980Y-	TR	2SA1980Y	
372	Q508	T2SC5343Y-	TR	2SC5343Y	
373	Q509	T2SC5343Y-	TR	2SC5343Y	
374	Q513	T2SA1980Y-	TR	2SA1980Y	
375	Q515	TH2N7000—	TR	H2N7000	
376	Q601	T2SC5343Y-	TR	2SC5343Y	
377	Q602	T2SA1980Y-	TR	2SA1980Y	
378	Q809	T2SC5343Y-	TR	2SC5343Y	
379	Q810	T2SC5343Y-	TR	2SC5343Y	
380	Q812	TKTC3203Y-	TR	KTC3203-Y	
381	Q813	T2SA1980Y-	TR	2SA1980Y	
382	Q814	T2SC5343Y-	TR	2SC5343Y	
383	Q815	T2SA1980Y-	TR	2SA1980Y	
384	Q816	T2SC5343Y-	TR	2SC5343Y	
385	QP01	T2SD1207T-	TR	2SD1207-T (TAPPING)	
386	QP02	T2SC5343Y-	TR	2SC5343Y	
387	R331	RN02B331JS	R METAL FILM	2W 330 OHM J SMALL	
388	R399	RN02B689JS	R METAL FILM	2W 6.8 OHM J SMALL	
389	R400	RN02B689JS	R METAL FILM	2W 6.8 OHM J SMALL	
390	R408	RN02B271JS	R METAL FILM	2W 270 OHM J SMALL	
391	R415	RN02B561JS	R METAL FILM	2W 560 OHM J SMALL	
392	R450	RN02B752JS	R METAL FILM	2W 7.5K OHM J SMALL	
393	R451	RN02B752JS	R METAL FILM	2W 7.5K OHM J SMALL	
394	R452	RN02B752JS	R METAL FILM	2W 7.5K OHM J SMALL	
395	R822	RN02B510JS	R METAL FILM	2W 51 OHM J SMALL	
396	R824	RN02B510JS	R METAL FILM	2W 51 OHM J SMALL	
397	RP04	RN02B753JS	R METAL FILM	2W 75K OHM J SMALL	

NO	LOC	PARTS CODE	PARTS NAME	PARTS DESCRIPTION	REMARK
398	RP05	RN02B333JS	R METAL FILM	2W 33K OHM J SMALL	
399	Z605	5PXF1B471M	FILTER EMI	CFI 06 B 1H 470PF	
400	Z606	5PXF1B471M	FILTER EMI	CFI 06 B 1H 470PF	
401	Z607	5PXF1B471M	FILTER EMI	CFI 06 B 1H 470PF	
402	Z608	5PXF1B471M	FILTER EMI	CFI 06 B 1H 470PF	
403	Z609	5PXF1B471M	FILTER EMI	CFI 06 B 1H 470PF	
404	Z610	5PXF1B471M	FILTER EMI	CFI 06 B 1H 470PF	
405	Z611	5PXF1B471M	FILTER EMI	CFI 06 B 1H 470PF	
406	Z612	5PXF1B471M	FILTER EMI	CFI 06 B 1H 470PF	
407	ZZ200	PTMPJAL2950FF	PCB MAIN AXIAL AS	DTL-2950FZF-S	
408	10	2TM14006LB	TAPE MASKING	3M #232 6.0X2000M (W/O GLUE)	
409	20	2TM10006LB	TAPE MASKING	3M #232-MAP-C 6.2X2000M (WITH GLUE)	
410	A001	4859812493	PCB MAIN	CP-650 DTL-2950 (330X246 D1B)	△
411	C120	CCZB1H102K	C CERA	50V B 1000PF K (AXIAL)	
412	C123	CCZB1H103K	C CERA	50V B 0.01MF K (AXIAL)	
413	C424	CCZB1H222K	C CERA	50V B 2200PF K (AXIAL)	
414	C503	CCZB1H102K	C CERA	50V B 1000PF K (AXIAL)	
415	C504	CCZB1H102K	C CERA	50V B 1000PF K (AXIAL)	
416	C512	CBZF1H104Z	C CERA SEMI	50V F 0.1MF Z (AXIAL)	
417	C530	CCZB1H101K	C CERA	50V B 100PF K (AXIAL)	
418	C531	CCZF1H103Z	C CERA	50V F 0.01MF Z	
419	C532	CCZB1H102K	C CERA	50V B 1000PF K (AXIAL)	
420	C533	CCZB1H102K	C CERA	50V B 1000PF K (AXIAL)	
421	C541	CBZF1H104Z	C CERA SEMI	50V F 0.1MF Z (AXIAL)	
422	C544	CBZF1H104Z	C CERA SEMI	50V F 0.1MF Z (AXIAL)	
423	C546	CBZF1H104Z	C CERA SEMI	50V F 0.1MF Z (AXIAL)	
424	C550	CCZF1H103Z	C CERA	50V F 0.01MF Z	
425	C551	CBZF1H104Z	C CERA SEMI	50V F 0.1MF Z (AXIAL)	
426	C557	CBZF1H104Z	C CERA SEMI	50V F 0.1MF Z (AXIAL)	
427	C559	CCZF1H103Z	C CERA	50V F 0.01MF Z	
428	C564	CBZF1H104Z	C CERA SEMI	50V F 0.1MF Z (AXIAL)	
429	C565	CBZF1H104Z	C CERA SEMI	50V F 0.1MF Z (AXIAL)	
430	C566	CBZF1H104Z	C CERA SEMI	50V F 0.1MF Z (AXIAL)	
431	C578	CBZF1H104Z	C CERA SEMI	50V F 0.1MF Z (AXIAL)	
432	C579	CCZB1H102K	C CERA	50V B 1000PF K (AXIAL)	
433	C588	CCZB1H472K	C CERA	50V B 4700PF K (AXIAL)	
434	C589	CCZB1H472K	C CERA	50V B 4700PF K (AXIAL)	
435	C590	CBZF1H104Z	C CERA SEMI	50V F 0.1MF Z (AXIAL)	
436	C592	CCZF1H103Z	C CERA	50V F 0.01MF Z	
437	C666	CBZF1H104Z	C CERA SEMI	50V F 0.1MF Z (AXIAL)	
438	C809	CCZB1H102K	C CERA	50V B 1000PF K (AXIAL)	
439	CA01	CCZB1H101K	C CERA	50V B 100PF K (AXIAL)	
440	CA02	CCZB1H101K	C CERA	50V B 100PF K (AXIAL)	
441	CA03	CCZB1H101K	C CERA	50V B 100PF K (AXIAL)	
442	CA04	CCZB1H101K	C CERA	50V B 100PF K (AXIAL)	

NO	LOC	PARTS CODE	PARTS NAME	PARTS DESCRIPTION	REMARK
443	CA05	CCZB1H101K	C CERA	50V B 100PF K (AXIAL)	
444	CA06	CCZB1H101K	C CERA	50V B 100PF K (AXIAL)	
445	CA27	CZSL1H470J	C CERA	50V SL 47PF J	
446	CA28	CCZB1H102K	C CERA	50V B 1000PF K (AXIAL)	
447	CA33	CCZB1H103K	C CERA	50V B 0.01MF K (AXIAL)	
448	D101	DBAT85—	DIODE	BAT85 (TAPPING)	
449	D102	DBA282—	DIODE	BA282	
450	D313	D1N4937G—	DIODE	1N4937G	
451	D405	D1N4937G—	DIODE	1N4937G	
452	D408	DRGP15J—	DIODE	RGP15J	
453	D410	D1N4004S—	DIODE	1N4004S	
454	D411	D1N4004S—	DIODE	1N4004S	
455	D414	D1N4004S—	DIODE	1N4004S	
456	D450	D1N4937G—	DIODE	1N4937G	
457	D501	DBAT85—	DIODE	BAT85 (TAPPING)	
458	D503	DTZX3V9B—	DIODE ZENER	TZX3V9B (TAPPING)	
459	D504	DTZX5V6B—	DIODE ZENER	TZX5V6B (TAPPING)	
460	D520	D1N4148—	DIODE	1N4148 (TAPPING)	
461	D521	D1N4148—	DIODE	1N4148 (TAPPING)	
462	D522	DTZX3V9B—	DIODE ZENER	TZX3V9B (TAPPING)	
463	D523	DTZX3V9B—	DIODE ZENER	TZX3V9B (TAPPING)	
464	D601	D1N4148—	DIODE	1N4148 (TAPPING)	
465	D602	D1N4148—	DIODE	1N4148 (TAPPING)	
466	D801	DLT2A05G—	DIODE	LT2A05G	
467	D802	DLT2A05G—	DIODE	LT2A05G	
468	D803	DLT2A05G—	DIODE	LT2A05G	
469	D804	DLT2A05G—	DIODE	LT2A05G	
470	D805	D1N4937G—	DIODE	1N4937G	
471	D806	D1N4937G—	DIODE	1N4937G	
472	D807	D1N4937G—	DIODE	1N4937G	
473	D808	DUZ6R8BM—	DIODE ZENER	UZ 6.8B 500MW SILICON	
474	D811	DTZX5V6B—	DIODE ZENER	TZX5V6B (TAPPING)	
475	D824	DTZX5V1B—	DIODE ZENER	TZX5V1B (TAPPING)	
476	D825	D1N4148—	DIODE	1N4148 (TAPPING)	
477	D830	D1N4937G—	DIODE	1N4937G	
478	D831	D1N4937G—	DIODE	1N4937G	
479	D904	DBAV21—	DIODE	BAV21 (TAPPING)	
480	D905	DBAV21—	DIODE	BAV21 (TAPPING)	
481	D906	DBAV21—	DIODE	BAV21 (TAPPING)	
482	D997	DLT2A05G—	DIODE	LT2A05G	
483	DA01	85801060GY	WIRE COPPER	1/0.6 TIN COATING	
484	DA02	DTZX5V6B—	DIODE ZENER	TZX5V6B (TAPPING)	
485	DA03	85801060GY	WIRE COPPER	1/0.6 TIN COATING	
486	DA04	DTZX5V6B—	DIODE ZENER	TZX5V6B (TAPPING)	
487	DA10	DTZX5V6B—	DIODE ZENER	TZX5V6B (TAPPING)	

NO	LOC	PARTS CODE	PARTS NAME	PARTS DESCRIPTION	REMARK
488	DA11	DTZX5V6B—	DIODE ZENER	TZX5V6B (TAPPING)	
489	DA13	DTZX5V6B—	DIODE ZENER	TZX5V6B (TAPPING)	
490	DA14	DTZX5V6B—	DIODE ZENER	TZX5V6B (TAPPING)	
491	DA15	DTZX5V6B—	DIODE ZENER	TZX5V6B (TAPPING)	
492	DP01	D1N4937G—	DIODE	1N4937G	
493	DP02	D1N4148—	DIODE	1N4148 (TAPPING)	
494	DP03	D1N4148—	DIODE	1N4148 (TAPPING)	
495	DP04	DTZX12C—	DIODE ZENER	TZX12C (TAPPING)	
496	DP05	DTZX5V1B—	DIODE ZENER	TZX5V1B (TAPPING)	
497	DP06	D1N4148—	DIODE	1N4148 (TAPPING)	
498	DP07	DTZX12C—	DIODE ZENER	TZX12C (TAPPING)	
499	I805	DTZX33B—	DIODE ZENER	TZX33B (TAPPING)	
500	J1	85801060GY	WIRE COPPER	1/0.6 TIN COATING	
501	J10	85801060GY	WIRE COPPER	1/0.6 TIN COATING	
502	J100	85801060GY	WIRE COPPER	1/0.6 TIN COATING	
503	J101	85801060GY	WIRE COPPER	1/0.6 TIN COATING	
504	J102	85801060GY	WIRE COPPER	1/0.6 TIN COATING	
505	J103	85801060GY	WIRE COPPER	1/0.6 TIN COATING	
506	J104	85801060GY	WIRE COPPER	1/0.6 TIN COATING	
507	J105	85801060GY	WIRE COPPER	1/0.6 TIN COATING	
508	J106	85801060GY	WIRE COPPER	1/0.6 TIN COATING	
509	J107	85801060GY	WIRE COPPER	1/0.6 TIN COATING	
510	J108	85801060GY	WIRE COPPER	1/0.6 TIN COATING	
511	J109	85801060GY	WIRE COPPER	1/0.6 TIN COATING	
512	J11	85801060GY	WIRE COPPER	1/0.6 TIN COATING	
513	J110	85801060GY	WIRE COPPER	1/0.6 TIN COATING	
514	J111	85801060GY	WIRE COPPER	1/0.6 TIN COATING	
515	J112	85801060GY	WIRE COPPER	1/0.6 TIN COATING	
516	J113	85801060GY	WIRE COPPER	1/0.6 TIN COATING	
517	J115	85801060GY	WIRE COPPER	1/0.6 TIN COATING	
518	J116	85801060GY	WIRE COPPER	1/0.6 TIN COATING	
519	J117	85801060GY	WIRE COPPER	1/0.6 TIN COATING	
520	J118	85801060GY	WIRE COPPER	1/0.6 TIN COATING	
521	J119	85801060GY	WIRE COPPER	1/0.6 TIN COATING	
522	J12	85801060GY	WIRE COPPER	1/0.6 TIN COATING	
523	J120	85801060GY	WIRE COPPER	1/0.6 TIN COATING	
524	J121	85801060GY	WIRE COPPER	1/0.6 TIN COATING	
525	J122	85801060GY	WIRE COPPER	1/0.6 TIN COATING	
526	J123	85801060GY	WIRE COPPER	1/0.6 TIN COATING	
527	J124	85801060GY	WIRE COPPER	1/0.6 TIN COATING	
528	J125	85801060GY	WIRE COPPER	1/0.6 TIN COATING	
529	J127	85801060GY	WIRE COPPER	1/0.6 TIN COATING	
530	J128	85801060GY	WIRE COPPER	1/0.6 TIN COATING	
531	J13	85801060GY	WIRE COPPER	1/0.6 TIN COATING	
532	J14	85801060GY	WIRE COPPER	1/0.6 TIN COATING	
533	J15	85801060GY	WIRE COPPER	1/0.6 TIN COATING	

NO	LOC	PARTS CODE	PARTS NAME	PARTS DESCRIPTION	REMARK
534	J16	85801060GY	WIRE COPPER	1/0.6 TIN COATING	
535	J17	85801060GY	WIRE COPPER	1/0.6 TIN COATING	
536	J18	85801060GY	WIRE COPPER	1/0.6 TIN COATING	
537	J19	85801060GY	WIRE COPPER	1/0.6 TIN COATING	
538	J2	85801060GY	WIRE COPPER	1/0.6 TIN COATING	
539	J20	85801060GY	WIRE COPPER	1/0.6 TIN COATING	
540	J21	85801060GY	WIRE COPPER	1/0.6 TIN COATING	
541	J22	85801060GY	WIRE COPPER	1/0.6 TIN COATING	
542	J23	85801060GY	WIRE COPPER	1/0.6 TIN COATING	
543	J24	85801060GY	WIRE COPPER	1/0.6 TIN COATING	
544	J25	85801060GY	WIRE COPPER	1/0.6 TIN COATING	
545	J27	85801060GY	WIRE COPPER	1/0.6 TIN COATING	
546	J28	85801060GY	WIRE COPPER	1/0.6 TIN COATING	
547	J29	85801060GY	WIRE COPPER	1/0.6 TIN COATING	
548	J3	85801060GY	WIRE COPPER	1/0.6 TIN COATING	
549	J30	85801060GY	WIRE COPPER	1/0.6 TIN COATING	
550	J300	85801060GY	WIRE COPPER	1/0.6 TIN COATING	
551	J31	85801060GY	WIRE COPPER	1/0.6 TIN COATING	
552	J32	85801060GY	WIRE COPPER	1/0.6 TIN COATING	
553	J33	85801060GY	WIRE COPPER	1/0.6 TIN COATING	
554	J34	85801060GY	WIRE COPPER	1/0.6 TIN COATING	
555	J35	85801060GY	WIRE COPPER	1/0.6 TIN COATING	
556	J36	85801060GY	WIRE COPPER	1/0.6 TIN COATING	
557	J37	85801060GY	WIRE COPPER	1/0.6 TIN COATING	
558	J38	85801060GY	WIRE COPPER	1/0.6 TIN COATING	
559	J39	85801060GY	WIRE COPPER	1/0.6 TIN COATING	
560	J4	85801060GY	WIRE COPPER	1/0.6 TIN COATING	
561	J40	85801060GY	WIRE COPPER	1/0.6 TIN COATING	
562	J41	85801060GY	WIRE COPPER	1/0.6 TIN COATING	
563	J42	85801060GY	WIRE COPPER	1/0.6 TIN COATING	
564	J43	85801060GY	WIRE COPPER	1/0.6 TIN COATING	
565	J44	85801060GY	WIRE COPPER	1/0.6 TIN COATING	
566	J45	85801060GY	WIRE COPPER	1/0.6 TIN COATING	
567	J46	85801060GY	WIRE COPPER	1/0.6 TIN COATING	
568	J47	85801060GY	WIRE COPPER	1/0.6 TIN COATING	
569	J48	85801060GY	WIRE COPPER	1/0.6 TIN COATING	
570	J49	85801060GY	WIRE COPPER	1/0.6 TIN COATING	
571	J5	85801060GY	WIRE COPPER	1/0.6 TIN COATING	
572	J50	85801060GY	WIRE COPPER	1/0.6 TIN COATING	
573	J51	85801060GY	WIRE COPPER	1/0.6 TIN COATING	
574	J52	85801060GY	WIRE COPPER	1/0.6 TIN COATING	
575	J53	85801060GY	WIRE COPPER	1/0.6 TIN COATING	
576	J54	85801060GY	WIRE COPPER	1/0.6 TIN COATING	
577	J55	85801060GY	WIRE COPPER	1/0.6 TIN COATING	
578	J56	85801060GY	WIRE COPPER	1/0.6 TIN COATING	
579	J57	85801060GY	WIRE COPPER	1/0.6 TIN COATING	

NO	LOC	PARTS CODE	PARTS NAME	PARTS DESCRIPTION	REMARK
580	J58	85801060GY	WIRE COPPER	1/0.6 TIN COATING	
581	J59	85801060GY	WIRE COPPER	1/0.6 TIN COATING	
582	J6	85801060GY	WIRE COPPER	1/0.6 TIN COATING	
583	J60	85801060GY	WIRE COPPER	1/0.6 TIN COATING	
584	J61	85801060GY	WIRE COPPER	1/0.6 TIN COATING	
585	J62	85801060GY	WIRE COPPER	1/0.6 TIN COATING	
586	J63	85801060GY	WIRE COPPER	1/0.6 TIN COATING	
587	J64	85801060GY	WIRE COPPER	1/0.6 TIN COATING	
588	J65	85801060GY	WIRE COPPER	1/0.6 TIN COATING	
589	J66	85801060GY	WIRE COPPER	1/0.6 TIN COATING	
590	J67	85801060GY	WIRE COPPER	1/0.6 TIN COATING	
591	J68	85801060GY	WIRE COPPER	1/0.6 TIN COATING	
592	J69	85801060GY	WIRE COPPER	1/0.6 TIN COATING	
593	J7	85801060GY	WIRE COPPER	1/0.6 TIN COATING	
594	J70	85801060GY	WIRE COPPER	1/0.6 TIN COATING	
595	J71	85801060GY	WIRE COPPER	1/0.6 TIN COATING	
596	J72	85801060GY	WIRE COPPER	1/0.6 TIN COATING	
597	J73	85801060GY	WIRE COPPER	1/0.6 TIN COATING	
598	J74	85801060GY	WIRE COPPER	1/0.6 TIN COATING	
599	J75	85801060GY	WIRE COPPER	1/0.6 TIN COATING	
600	J76	85801060GY	WIRE COPPER	1/0.6 TIN COATING	
601	J77	85801060GY	WIRE COPPER	1/0.6 TIN COATING	
602	J79	85801060GY	WIRE COPPER	1/0.6 TIN COATING	
603	J8	85801060GY	WIRE COPPER	1/0.6 TIN COATING	
604	J80	85801060GY	WIRE COPPER	1/0.6 TIN COATING	
605	J81	85801060GY	WIRE COPPER	1/0.6 TIN COATING	
606	J82	85801060GY	WIRE COPPER	1/0.6 TIN COATING	
607	J83	85801060GY	WIRE COPPER	1/0.6 TIN COATING	
608	J84	85801060GY	WIRE COPPER	1/0.6 TIN COATING	
609	J85	85801060GY	WIRE COPPER	1/0.6 TIN COATING	
610	J86	85801060GY	WIRE COPPER	1/0.6 TIN COATING	
611	J87	85801060GY	WIRE COPPER	1/0.6 TIN COATING	
612	J88	85801060GY	WIRE COPPER	1/0.6 TIN COATING	
613	J89	85801060GY	WIRE COPPER	1/0.6 TIN COATING	
614	J9	85801060GY	WIRE COPPER	1/0.6 TIN COATING	
615	J90	85801060GY	WIRE COPPER	1/0.6 TIN COATING	
616	J901	85801060GY	WIRE COPPER	1/0.6 TIN COATING	
617	J91	85801060GY	WIRE COPPER	1/0.6 TIN COATING	
618	J92	85801060GY	WIRE COPPER	1/0.6 TIN COATING	
619	J93	85801060GY	WIRE COPPER	1/0.6 TIN COATING	
620	J94	85801060GY	WIRE COPPER	1/0.6 TIN COATING	
621	J95	85801060GY	WIRE COPPER	1/0.6 TIN COATING	
622	J96	85801060GY	WIRE COPPER	1/0.6 TIN COATING	
623	J97	85801060GY	WIRE COPPER	1/0.6 TIN COATING	
624	J98	85801060GY	WIRE COPPER	1/0.6 TIN COATING	
625	J99	85801060GY	WIRE COPPER	1/0.6 TIN COATING	

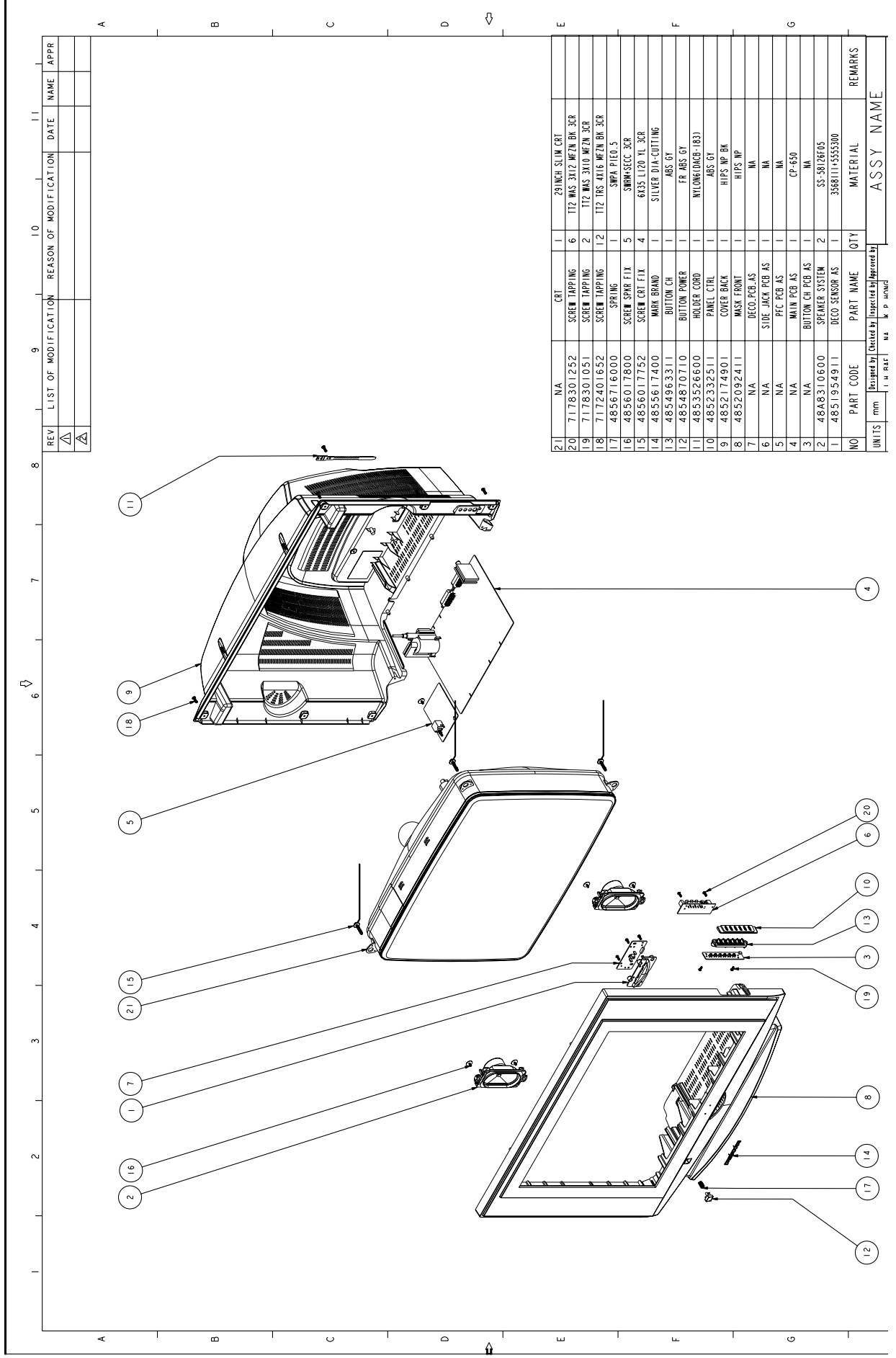
NO	LOC	PARTS CODE	PARTS NAME	PARTS DESCRIPTION	REMARK
626	L101	85801060GY	WIRE COPPER	1/0.6 TIN COATING	
627	L350	5MC0000100	COIL BEAD	MD-5 (HC-3550)	
628	L351	5MC0000100	COIL BEAD	MD-5 (HC-3550)	
629	L505	5CPZ479K02	COIL PEAKING	4.7UH 3.5MM K (LAL02TB)	
630	L506	5CPZ479K02	COIL PEAKING	4.7UH 3.5MM K (LAL02TB)	
631	L507	5CPZ479K02	COIL PEAKING	4.7UH 3.5MM K (LAL02TB)	
632	L508	85801060GY	WIRE COPPER	1/0.6 TIN COATING	
633	L509	5CPZ479K02	COIL PEAKING	4.7UH 3.5MM K (LAL02TB)	
634	L510	5CPZ479K02	COIL PEAKING	4.7UH 3.5MM K (LAL02TB)	
635	L512	5CPZ479K02	COIL PEAKING	4.7UH 3.5MM K (LAL02TB)	
636	L513	5CPZ479K02	COIL PEAKING	4.7UH 3.5MM K (LAL02TB)	
637	L514	5CPZ100K04	COIL PEAKING	10UH 10.5MM K (LAL04TB)	
638	L515	5CPZ100K02	COIL PEAKING	10UH 3.5MM K (LAL02TB)	
639	L516	5CPZ479K02	COIL PEAKING	4.7UH 3.5MM K (LAL02TB)	
640	L517	5CPZ479K04	COIL PEAKING	4.7UH 10.5MM K (LAL04TB)	
641	L518	85801060GY	WIRE COPPER	1/0.6 TIN COATING	
642	L519	85801060GY	WIRE COPPER	1/0.6 TIN COATING	
643	L523	5CPZ479K02	COIL PEAKING	4.7UH 3.5MM K (LAL02TB)	
644	L650	5MC0000100	COIL BEAD	MD-5 (HC-3550)	
645	L801	5MC0000100	COIL BEAD	MD-5 (HC-3550)	
646	L803	5MC0000100	COIL BEAD	MD-5 (HC-3550)	
647	LA30	5CPZ479K02	COIL PEAKING	4.7UH 3.5MM K (LAL02TB)	
648	R103	RD-AZ393J-	R CARBON FILM	1/6 39K OHM J	
649	R104	RD-AZ683J-	R CARBON FILM	1/6 68K OHM J	
650	R105	RD-AZ103J-	R CARBON FILM	1/6 10K OHM J	
651	R106	RD-AZ101J-	R CARBON FILM	1/6 100 OHM J	
652	R107	RD-AZ101J-	R CARBON FILM	1/6 100 OHM J	
653	R114	RD-AZ473J-	R CARBON FILM	1/6 47K OHM J	
654	R115	RD-AZ101J-	R CARBON FILM	1/6 100 OHM J	
655	R120	RD-AZ101J-	R CARBON FILM	1/6 100 OHM J	
656	R131	RD-AZ472J-	R CARBON FILM	1/6 4.7K OHM J	
657	R310	RD-AZ102J-	R CARBON FILM	1/6 1K OHM J	
658	R311	RD-AZ102J-	R CARBON FILM	1/6 1K OHM J	
659	R340	RD-4Z473J-	R CARBON FILM	1/4 47K OHM J	
660	R350	RN-AZ2201F	R METAL FILM	1/6 2.2K OHM F	
661	R351	RN-AZ2201F	R METAL FILM	1/6 2.2K OHM F	
662	R370	RD-4Z159J-	R CARBON FILM	1/4 1.5 OHM J	
663	R394	RD-AZ272J-	R CARBON FILM	1/6 2.7K OHM J	
664	R395	RD-4Z394J-	R CARBON FILM	1/4 390K OHM J	
665	R396	RD-AZ103J-	R CARBON FILM	1/6 10K OHM J	
666	R397	RD-AZ823J-	R CARBON FILM	1/6 82K OHM J	
667	R401	RD-4Z272J-	R CARBON FILM	1/4 2.7K OHM J	
668	R402	RD-4Z220J-	R CARBON FILM	1/4 22 OHM J	
669	R403	RD-4Z102J-	R CARBON FILM	1/4 1K OHM J	
670	R404	RD-4Z109J-	R CARBON FILM	1/4 1 OHM J	
671	R405	RD-4Z102J-	R CARBON FILM	1/4 1K OHM J	

NO	LOC	PARTS CODE	PARTS NAME	PARTS DESCRIPTION	REMARK
672	R407	RD-4Z182J-	R CARBON FILM	1/4 1.8K OHM J	
673	R420	RD-2Z103J-	R CARBON FILM	1/2 10K OHM J	
674	R422	RD-4Z102J-	R CARBON FILM	1/4 1K OHM J	
675	R423	RD-4Z472J-	R CARBON FILM	1/4 4.7K OHM J	
676	R424	RD-4Z274J-	R CARBON FILM	1/4 270K OHM J	
677	R430	RD-AZ223J-	R CARBON FILM	1/6 22K OHM J	
678	R500	85801060GY	WIRE COPPER	1/0.6 TIN COATING	
679	R501	RD-AZ332J-	R CARBON FILM	1/6 3.3K OHM J	
680	R502	RD-AZ332J-	R CARBON FILM	1/6 3.3K OHM J	
681	R503	RD-AZ102J-	R CARBON FILM	1/6 1K OHM J	
682	R504	RD-AZ152J-	R CARBON FILM	1/6 1.5K OHM J	
683	R506	RD-AZ103J-	R CARBON FILM	1/6 10K OHM J	
684	R507	RD-AZ332J-	R CARBON FILM	1/6 3.3K OHM J	
685	R508	RD-AZ332J-	R CARBON FILM	1/6 3.3K OHM J	
686	R509	RD-AZ103J-	R CARBON FILM	1/6 10K OHM J	
687	R510	RD-AZ103J-	R CARBON FILM	1/6 10K OHM J	
688	R511	RD-AZ103J-	R CARBON FILM	1/6 10K OHM J	
689	R512	RD-AZ101J-	R CARBON FILM	1/6 100 OHM J	
690	R513	RD-AZ101J-	R CARBON FILM	1/6 100 OHM J	
691	R514	RD-AZ101J-	R CARBON FILM	1/6 100 OHM J	
692	R515	RD-AZ101J-	R CARBON FILM	1/6 100 OHM J	
693	R516	RD-AZ153J-	R CARBON FILM	1/6 15K OHM J	
694	R517	RD-AZ101J-	R CARBON FILM	1/6 100 OHM J	
695	R518	RD-AZ101J-	R CARBON FILM	1/6 100 OHM J	
696	R519	RD-AZ102J-	R CARBON FILM	1/6 1K OHM J	
697	R527	RD-AZ101J-	R CARBON FILM	1/6 100 OHM J	
698	R528	RD-AZ101J-	R CARBON FILM	1/6 100 OHM J	
699	R529	RD-AZ101J-	R CARBON FILM	1/6 100 OHM J	
700	R534	RD-AZ472J-	R CARBON FILM	1/6 4.7K OHM J	
701	R537	RD-AZ123J-	R CARBON FILM	1/6 12K OHM J	
702	R538	RD-AZ101J-	R CARBON FILM	1/6 100 OHM J	
703	R539	RD-AZ471J-	R CARBON FILM	1/6 470 OHM J	
704	R540	RD-AZ471J-	R CARBON FILM	1/6 470 OHM J	
705	R541	RN-AZ3902F	R METAL FILM	1/6 39K OHM F	
706	R542	RD-AZ682J-	R CARBON FILM	1/6 6.8K OHM J	
707	R543	RD-AZ222J-	R CARBON FILM	1/6 2.2K OHM J	
708	R544	RD-AZ222J-	R CARBON FILM	1/6 2.2K OHM J	
709	R545	RD-AZ473J-	R CARBON FILM	1/6 47K OHM J	
710	R546	RD-AZ681J-	R CARBON FILM	1/6 680 OHM J	
711	R547	RD-AZ563J-	R CARBON FILM	1/6 56K OHM J	
712	R551	RD-AZ823J-	R CARBON FILM	1/6 82K OHM J	
713	R552	RD-AZ103J-	R CARBON FILM	1/6 10K OHM J	
714	R553	RD-AZ103J-	R CARBON FILM	1/6 10K OHM J	
715	R554	RD-AZ103J-	R CARBON FILM	1/6 10K OHM J	
716	R555	RD-AZ103J-	R CARBON FILM	1/6 10K OHM J	
717	R556	RD-AZ101J-	R CARBON FILM	1/6 100 OHM J	

NO	LOC	PARTS CODE	PARTS NAME	PARTS DESCRIPTION	REMARK
718	R557	RD-AZ101J-	R CARBON FILM	1/6 100 OHM J	
719	R558	RD-AZ391J-	R CARBON FILM	1/6 390 OHM J	
720	R559	RD-AZ222J-	R CARBON FILM	1/6 2.2K OHM J	
721	R560	RD-AZ222J-	R CARBON FILM	1/6 2.2K OHM J	
722	R561	RD-AZ101J-	R CARBON FILM	1/6 100 OHM J	
723	R562	RD-AZ101J-	R CARBON FILM	1/6 100 OHM J	
724	R563	RD-AZ101J-	R CARBON FILM	1/6 100 OHM J	
725	R564	RD-AZ101J-	R CARBON FILM	1/6 100 OHM J	
726	R565	RD-AZ154J-	R CARBON FILM	1/6 150K OHM J	
727	R566	RD-AZ103J-	R CARBON FILM	1/6 10K OHM J	
728	R567	RD-AZ103J-	R CARBON FILM	1/6 10K OHM J	
729	R568	RD-AZ103J-	R CARBON FILM	1/6 10K OHM J	
730	R569	RD-AZ103J-	R CARBON FILM	1/6 10K OHM J	
731	R570	RD-AZ823J-	R CARBON FILM	1/6 82K OHM J	
732	R571	RD-AZ102J-	R CARBON FILM	1/6 1K OHM J	
733	R572	RD-AZ103J-	R CARBON FILM	1/6 10K OHM J	
734	R573	RD-AZ103J-	R CARBON FILM	1/6 10K OHM J	
735	R574	RD-AZ103J-	R CARBON FILM	1/6 10K OHM J	
736	R575	RD-AZ103J-	R CARBON FILM	1/6 10K OHM J	
737	R576	RD-AZ102J-	R CARBON FILM	1/6 1K OHM J	
738	R577	RD-AZ102J-	R CARBON FILM	1/6 1K OHM J	
739	R578	RD-AZ102J-	R CARBON FILM	1/6 1K OHM J	
740	R579	RD-AZ101J-	R CARBON FILM	1/6 100 OHM J	
741	R580	RD-AZ183J-	R CARBON FILM	1/6 18K OHM J	
742	R581	RD-AZ101J-	R CARBON FILM	1/6 100 OHM J	
743	R582	RD-AZ101J-	R CARBON FILM	1/6 100 OHM J	
744	R583	RD-AZ101J-	R CARBON FILM	1/6 100 OHM J	
745	R584	RD-AZ101J-	R CARBON FILM	1/6 100 OHM J	
746	R585	RD-AZ101J-	R CARBON FILM	1/6 100 OHM J	
747	R586	RD-AZ101J-	R CARBON FILM	1/6 100 OHM J	
748	R587	RD-AZ101J-	R CARBON FILM	1/6 100 OHM J	
749	R588	RD-AZ102J-	R CARBON FILM	1/6 1K OHM J	
750	R589	RD-AZ102J-	R CARBON FILM	1/6 1K OHM J	
751	R590	RD-AZ334J-	R CARBON FILM	1/6 330K OHM J	
752	R598	RD-AZ182J-	R CARBON FILM	1/6 1.8K OHM J	
753	R599	RD-AZ224J-	R CARBON FILM	1/6 220K OHM J	
754	R601	RD-AZ103J-	R CARBON FILM	1/6 10K OHM J	
755	R602	RD-AZ104J-	R CARBON FILM	1/6 100K OHM J	
756	R603	RD-4Z152J-	R CARBON FILM	1/4 1.5K OHM J	
757	R610	RD-AZ103J-	R CARBON FILM	1/6 10K OHM J	
758	R611	RD-AZ563J-	R CARBON FILM	1/6 56K OHM J	
759	R612	RD-AZ103J-	R CARBON FILM	1/6 10K OHM J	
760	R650	RD-AZ473J-	R CARBON FILM	1/6 47K OHM J	
761	R660	RD-AZ473J-	R CARBON FILM	1/6 47K OHM J	
762	R661	RN-AZ1202F	R METAL FILM	1/6 12K OHM F	
763	R662	RN-AZ1202F	R METAL FILM	1/6 12K OHM F	

NO	LOC	PARTS CODE	PARTS NAME	PARTS DESCRIPTION	REMARK
764	R700	RD-2Z332J-	R CARBON FILM	1/2 3.3K OHM J	
765	R720	RD-AZ122J-	R CARBON FILM	1/6 1.2K OHM J	
766	R804	RD-4Z220J-	R CARBON FILM	1/4 22 OHM J	
767	R805	RD-2Z104J-	R CARBON FILM	1/2 100K OHM J	
768	R807	RD-4Z221J-	R CARBON FILM	1/4 220 OHM J	
769	R808	RD-4Z182J-	R CARBON FILM	1/4 1.8K OHM J	
770	R809	RD-4Z102J-	R CARBON FILM	1/4 1K OHM J	
771	R810	RD-4Z220J-	R CARBON FILM	1/4 22 OHM J	
772	R811	RC-2Z825KP	R CARBON COMP	1/2 8.2M OHM K	△
773	R812	RD-4Z473J-	R CARBON FILM	1/4 47K OHM J	
774	R813	RD-4Z473J-	R CARBON FILM	1/4 47K OHM J	
775	R814	RD-AZ472J-	R CARBON FILM	1/6 4.7K OHM J	
776	R815	RD-AZ472J-	R CARBON FILM	1/6 4.7K OHM J	
777	R817	RD-AZ473J-	R CARBON FILM	1/6 47K OHM J	
778	R818	RD-AZ474J-	R CARBON FILM	1/6 470K OHM J	
779	R820	RD-4Z363J-	R CARBON FILM	1/4 36K OHM J	
780	R821	RD-AZ563J-	R CARBON FILM	1/6 56K OHM J	
781	R823	RD-2Z271J-	R CARBON FILM	1/2 270 OHM J	
782	R827	RD-AZ103J-	R CARBON FILM	1/6 10K OHM J	
783	R828	RD-4Z153J-	R CARBON FILM	1/4 15K OHM J	
784	R829	RD-AZ103J-	R CARBON FILM	1/6 10K OHM J	
785	R830	RD-AZ101J-	R CARBON FILM	1/6 100 OHM J	
786	R831	RD-AZ472J-	R CARBON FILM	1/6 4.7K OHM J	
787	R832	RD-AZ473J-	R CARBON FILM	1/6 47K OHM J	
788	R833	RD-2Z105J-	R CARBON FILM	1/2 1M OHM J	
789	R834	RD-4Z470J-	R CARBON FILM	1/4 47 OHM J	
790	R840	RD-4Z472J-	R CARBON FILM	1/4 4.7K OHM J	
791	R870	RD-4Z102J-	R CARBON FILM	1/4 1K OHM J	
792	R901	RD-AZ561J-	R CARBON FILM	1/6 560 OHM J	
793	R910	RD-AZ101J-	R CARBON FILM	1/6 100 OHM J	
794	R911	RD-AZ101J-	R CARBON FILM	1/6 100 OHM J	
795	R912	RD-AZ101J-	R CARBON FILM	1/6 100 OHM J	
796	R913	RC-2Z102K-	R CARBON COMP	1/2 1K OHM K	
797	R914	RC-2Z102K-	R CARBON COMP	1/2 1K OHM K	
798	R915	RC-2Z102K-	R CARBON COMP	1/2 1K OHM K	
799	R921	RD-AZ221J-	R CARBON FILM	1/6 220 OHM J	
800	R922	RD-AZ221J-	R CARBON FILM	1/6 220 OHM J	
801	R923	RD-AZ221J-	R CARBON FILM	1/6 220 OHM J	
802	R996	RD-2Z105J-	R CARBON FILM	1/2 1M OHM J	
803	R997	RD-2Z102J-	R CARBON FILM	1/2 1K OHM J	
804	RA02	RD-AZ101J-	R CARBON FILM	1/6 100 OHM J	
805	RA03	RD-AZ101J-	R CARBON FILM	1/6 100 OHM J	
806	RA04	RD-AZ101J-	R CARBON FILM	1/6 100 OHM J	
807	RA05	RD-AZ103J-	R CARBON FILM	1/6 10K OHM J	
808	RA06	RD-AZ750J-	R CARBON FILM	1/6 75 OHM J	

NO	LOC	PARTS CODE	PARTS NAME	PARTS DESCRIPTION	REMARK
809	RA07	RD-AZ332J-	R CARBON FILM	1/6 3.3K OHM J	
810	RA08	RD-AZ750J-	R CARBON FILM	1/6 75 OHM J	
811	RA09	RD-AZ750J-	R CARBON FILM	1/6 75 OHM J	
812	RA10	RD-AZ680J-	R CARBON FILM	1/6 68 OHM J	
813	RA12	RD-AZ102J-	R CARBON FILM	1/6 1K OHM J	
814	RA13	RD-AZ222J-	R CARBON FILM	1/6 2.2K OHM J	
815	RA14	RD-AZ220J-	R CARBON FILM	1/6 22 OHM J	
816	RA15	RD-AZ750J-	R CARBON FILM	1/6 75 OHM J	
817	RA16	RD-AZ750J-	R CARBON FILM	1/6 75 OHM J	
818	RA17	RD-AZ103J-	R CARBON FILM	1/6 10K OHM J	
819	RA18	RD-AZ332J-	R CARBON FILM	1/6 3.3K OHM J	
820	RA19	RD-AZ750J-	R CARBON FILM	1/6 75 OHM J	
821	RA20	RD-AZ820J-	R CARBON FILM	1/6 82 OHM J	
822	RA23	RD-AZ220J-	R CARBON FILM	1/6 22 OHM J	
823	RA24	RD-AZ222J-	R CARBON FILM	1/6 2.2K OHM J	
824	RA25	RD-AZ102J-	R CARBON FILM	1/6 1K OHM J	
825	RA26	RD-AZ680J-	R CARBON FILM	1/6 68 OHM J	
826	RA27	RD-AZ750J-	R CARBON FILM	1/6 75 OHM J	
827	RA29	RD-AZ101J-	R CARBON FILM	1/6 100 OHM J	
828	RA30	RD-AZ101J-	R CARBON FILM	1/6 100 OHM J	
829	RA31	RD-AZ103J-	R CARBON FILM	1/6 10K OHM J	
830	RA32	RD-AZ680J-	R CARBON FILM	1/6 68 OHM J	
831	RA35	RD-AZ750J-	R CARBON FILM	1/6 75 OHM J	
832	RP01	RD-AZ823J-	R CARBON FILM	1/6 82K OHM J	
833	RP02	RD-4Z101J-	R CARBON FILM	1/4 100 OHM J	
834	RP03	RD-AZ102J-	R CARBON FILM	1/6 1K OHM J	
835	RP06	RD-4Z222J-	R CARBON FILM	1/4 2.2K OHM J	
836	RP08	RD-4Z222J-	R CARBON FILM	1/4 2.2K OHM J	
837	RP10	RD-4Z472J-	R CARBON FILM	1/4 4.7K OHM J	
838	RP12	RD-4Z470J-	R CARBON FILM	1/4 47 OHM J	
839	RP13	RD-2Z101J-	R CARBON FILM	1/2 100 OHM J	
840	RP14	RD-2Z474J-	R CARBON FILM	1/2 470K OHM J	
841	RP16	RD-2Z474J-	R CARBON FILM	1/2 470K OHM J	
842	ZZ140	PTPKCPL2950F	PACKING AS	DTL-2950FZF-S	
843	10	6520010200	STAPLE PIN	#3417 ALL	
844	M681	2TP06575CL	TAPE OPP	T0.065XW75X500M CLEAR	
845	M801	DMP5012400	BOX	DTL-2950	
846	M811	485819C900DN	PAD DOWN	2950 EPS	
847	M811A	485819C900UP	PAD UP	2950 EPS	
848	M821	4858215601	BAG P.E	EFOAM T0.5X1600X1270 25" - 28"	



REV	LIST OF MODIFICATION	REASON OF MODIFICATION	DATE	NAME	APPR
△					
△					

NO	PART CODE	PART NAME	QTY	MATERIAL	REMARKS
20	7178301252	CRT	1	29 INCH SLIM CRT	
19	7178301051	SCREW TAPPING	6	T12 WAS 3X12 WFZN BK 3CR	
18	7172401652	SCREW TAPPING	2	T12 WAS 3X10 WFZN 3CR	
17	4856716000	SCREW TAPPING	12	T12 IRS 4X16 WFZN BK 3CR	
16	4856017800	SPRING	1	SUPA PLEC 5	
15	4856017752	SCREW SPR FIX	5	SRWVSEC 3CR	
14	4855617400	MARK BRAND	4	6X35 L120 YL 3CR	
13	4854863311	SCREW CRT FIX	1	SILVER D1A-CUTTING	
12	4854870710	BUTTON CH	1	ABS GY	
11	4853526600	BUTTON POWER	1	FR ABS GY	
10	4852332511	HOLDER COND	1	NYLONGDACH183	
9	4852174901	PANEL CTRL	1	ABS GY	
8	4852092411	COVER BACK	1	HIPS NP BK	
7	NA	WASH FRONT	1	HIPS NP	
6	NA	DECO-PCB AS	1	NA	
5	NA	SIDE JACK PCB AS	1	NA	
4	NA	PFC PCB AS	1	NA	
3	NA	MAIN PCB AS	1	CP-650	
2	48A8310600	BUTTON CH PCB AS	1	NA	
1	4851954911	SPEAKER SYSTEM	2	SS-807605	
		DECO SENSOR AS	1	3588111-555300	
UNIT	mm	Designed by	Checked by	Inspected by	Approved by
		h raxf	na	lk p uoed	