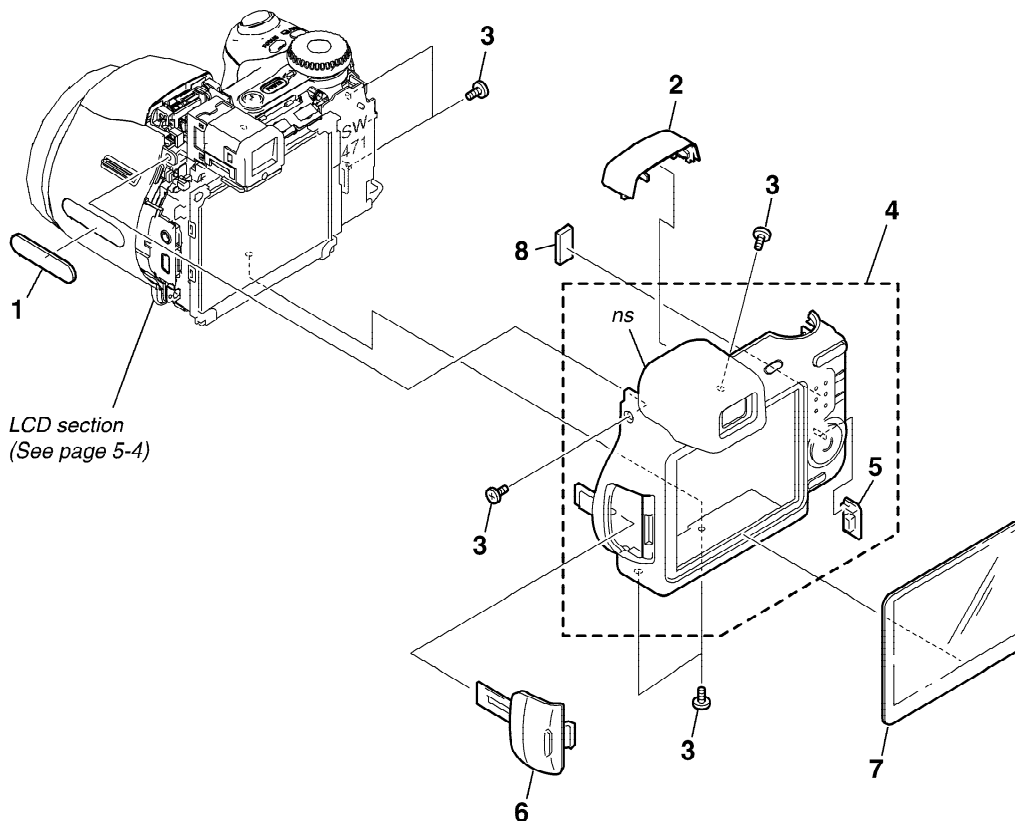


5. REPAIR PARTS LIST

5-1. EXPLODED VIEWS

5-1-1. OVERALL SECTION

ns : not supplied

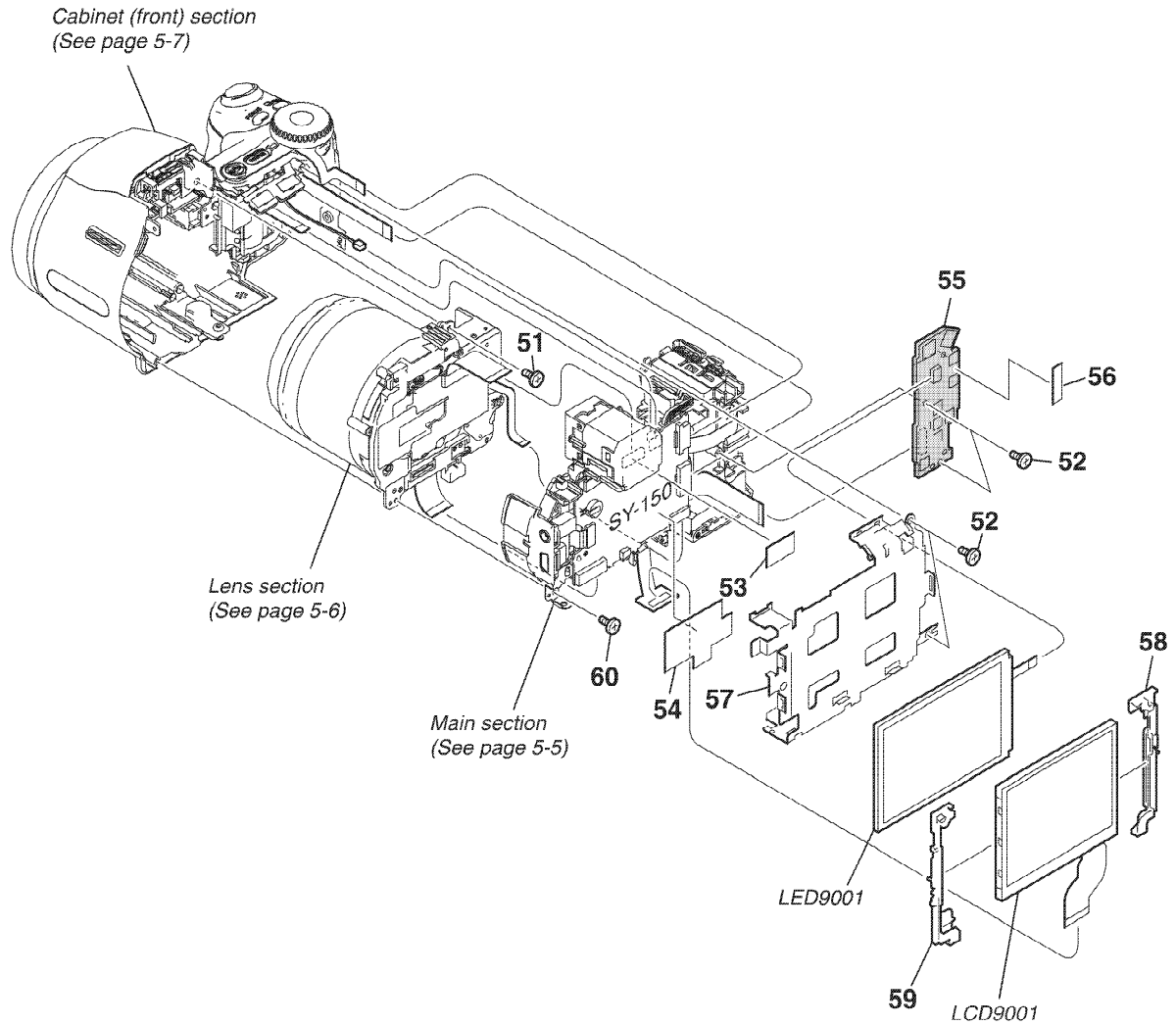


Ref. No.	Part No.	Description
1	2-673-346-01	PLATE, ORNAMENTAL
2	2-673-327-11	CABINET (UPPER) (SILVER)
2	2-673-327-21	CABINET (UPPER) (BLACK)
3	2-630-005-31	SCREW (M2), NEW TRUSTER, P2 (BLACK)
3	2-655-582-11	SCREW 0+P2 M2 NEWTRU-STAR (SILVER)
4	X-2108-909-1	CABINET (REAR) ASSY (420) (SILVER)
4	X-2109-111-1	CABINET (REAR) ASSY (420D) (BLACK)

Ref. No.	Part No.	Description
5	2-673-247-01	LID, DC (SILVER)
5	2-673-247-11	LID, DC (BLACK)
6	2-673-303-01	LID, JK (SILVER)
6	2-673-303-11	LID, JK (BLACK)
7	2-673-345-01	WINDOW (420), LCD
* 8	2-685-484-01	CUSHION (REAR)

5. REPAIR PARTS LIST

5-1-2. LCD SECTION



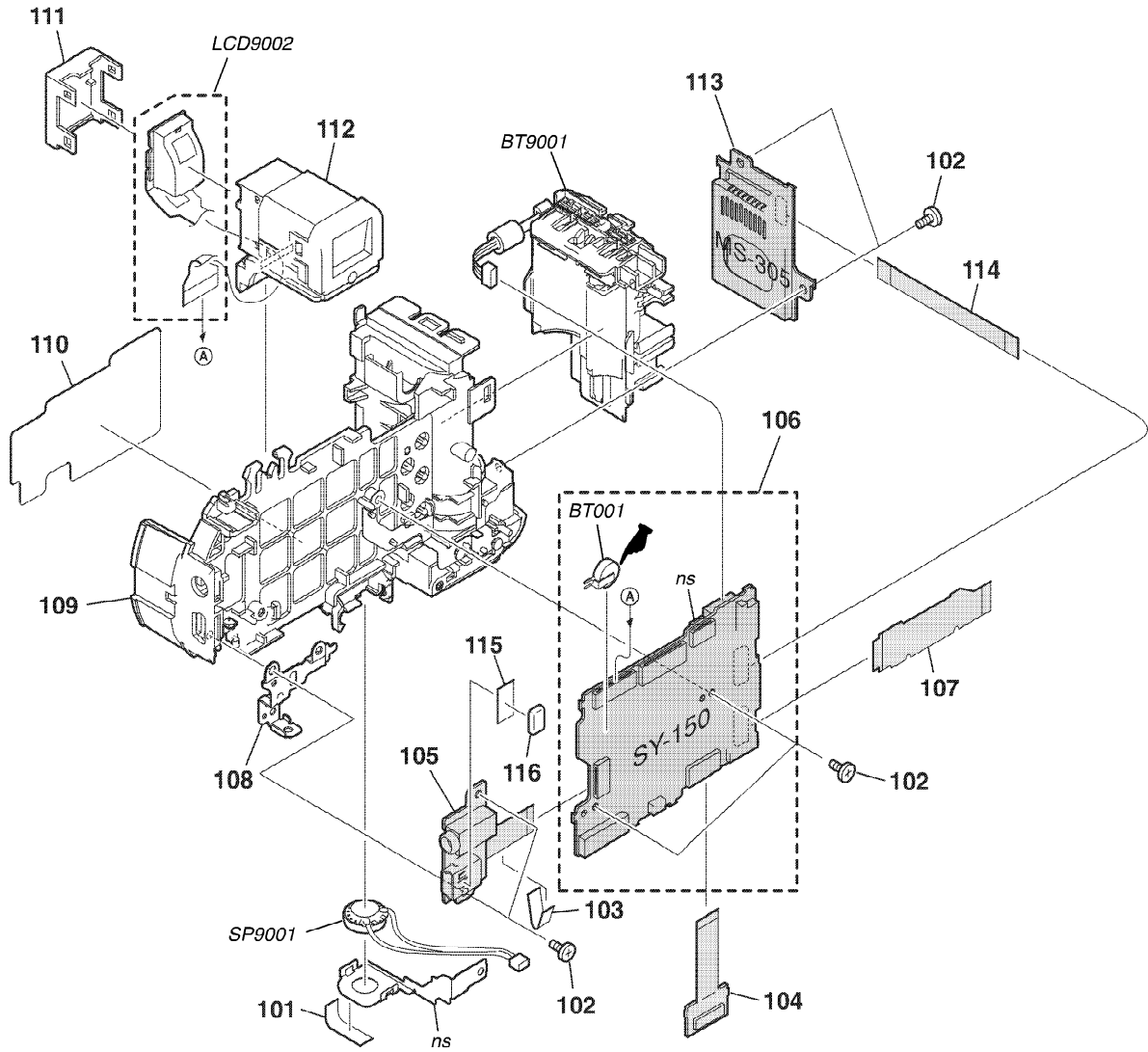
Ref. No.	Part No.	Description
51	2-666-551-21	SCREW, TAPPING, P2
52	3-078-890-01	SCREW, TAPPING
* 53	2-694-714-01	TAPE CD RETAINER (420)
* 54	2-673-339-03	LABEL, FUSE REPLACEMENT CAUTION
55	A-1176-922-A	SW-471 BOARD, COMPLETE
* 56	2-678-099-01	SHEET, SW MUFFLE

Ref. No.	Part No.	Description
* 57	2-673-342-01	FRAME (420), LCD
* 58	2-673-344-01	HOLDER (R), LCD
* 59	2-673-343-01	HOLDER (L), LCD
60	2-666-551-21	SCREW, TAPPING, P2
LED9001	8-753-256-97	ACX541AKA-1
LED9001	1-479-403-11	BLOCK, LIGHT GUIDE PLATE (3.0)

5. REPAIR PARTS LIST

5-1-3. MAIN SECTION

ns : not supplied



A : BT001 (Lithium battery) SY-150 board on the mount position. (See page 4-29)

Ref. No.	Part No.	Description
* 101	2-684-446-01	SPACER, SP
102	3-080-204-11	SCREW, TAPPING, P2
* 103	2-672-564-01	SHEET (JK), RADIATION
104	A-1176-978-A	CK-161 FLEXIBLE BOARD, COMPLETE
105	A-1176-915-A	JK-306 FLEXIBLE BOARD, COMPLETE
106	A-1176-925-A	SY-150 BOARD, COMPLETE (SERVICE) (GP1)
106	A-1176-926-A	SY-150 BOARD, COMPLETE (SERVICE) (GP2)
106	A-1176-927-A	SY-150 BOARD, COMPLETE (SERVICE) (GP3)
106	A-1176-928-A	SY-150 BOARD, COMPLETE (SERVICE) (GP4)
107	1-869-227-11	SW-478 FLEXIBLE BOARD
* 108	2-673-306-01	PLATE, JK GROUND
109	X-2108-910-1	HOLDER ASSY, BATTERY (SILVER)
109	X-2109-112-1	HOLDER (420D), BATTERY (BLACK)

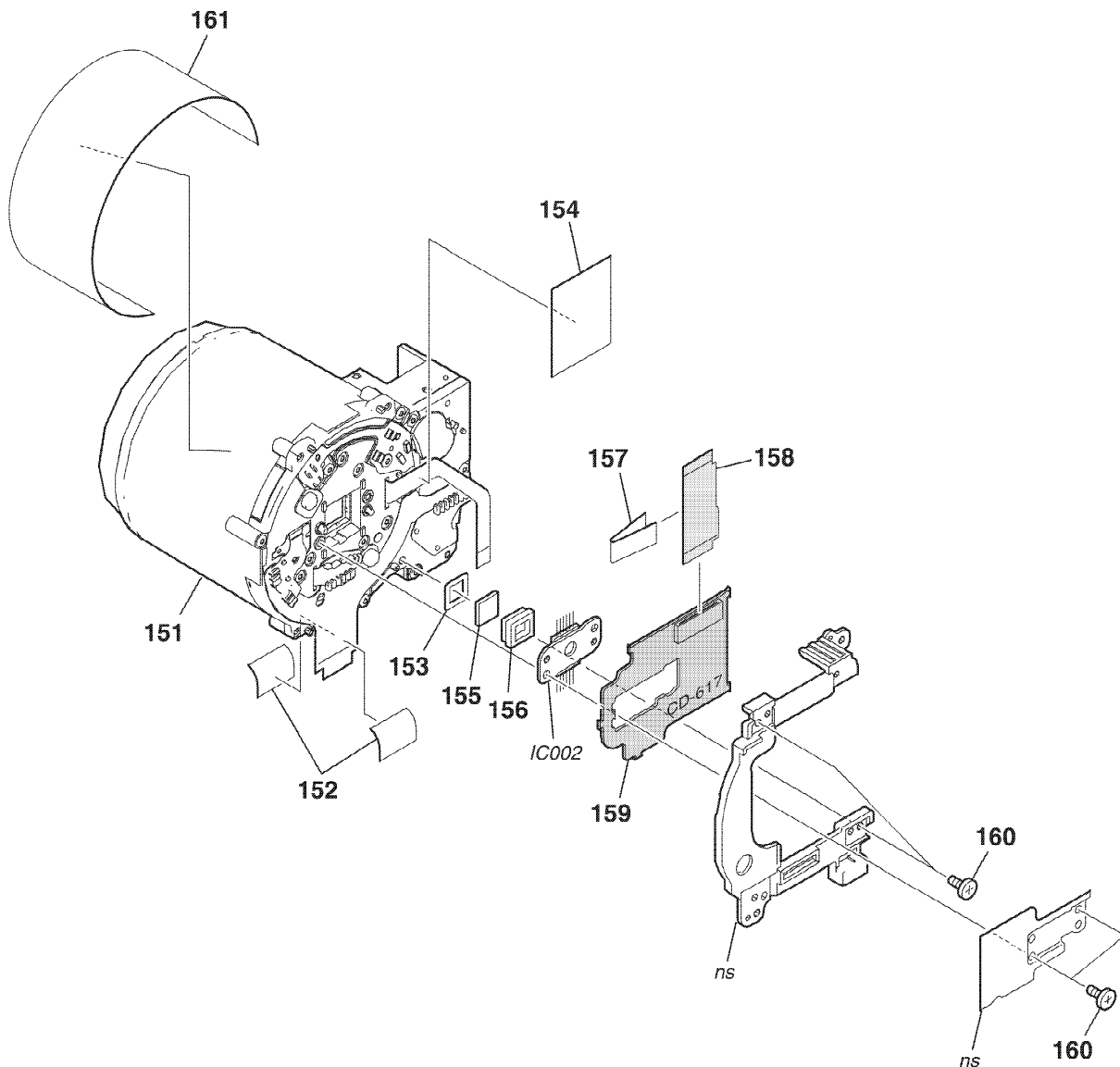
Ref. No.	Part No.	Description
* 110	2-677-004-01	SHEET (INR), RADIATION
* 111	2-673-337-01	RETAINER, MODULE
112	X-2108-913-1	ASSY, VF
113	A-1176-924-A	MS-305 BOARD, COMPLETE
114	1-831-557-11	FLEXIBLE FLAT CABLE (MS-030)
* 115	2-694-712-01	USB PROTECTION SHEET
* 116	2-694-713-01	USB GASKET
△ BT001	1-756-539-21	BATTERY, LITHIUM SECONDARY
* BT9001	1-780-338-11	TERMINAL BOARD, BATTERY (SILVER)
* BT9001	1-780-338-21	TERMINAL BOARD, BATTERY (BLACK)
LCD9002	1-802-033-11	LCD MODULE
SP9001	1-826-403-21	LOUDSPEAKER (1.0CM)

CAUTION :
 Danger of explosion if battery is incorrectly replaced.
 Replace only with the same or equivalent type.

5. REPAIR PARTS LIST

5-1-4. LENS SECTION

ns : not supplied



Ref. No.	Part No.	Description
151	A-1177-128-A	SERVICE, OPTICS UNIT (B191A) (SERVICE)
* 152	2-672-563-01	SHEET (LNS), RADIATION
153	2-592-693-01	PLATE (T), LIGHT INTERCEPTION
* 154	2-672-565-01	SHEET (TB), RADIATION
155	1-788-338-11	OPTICAL FILTER BLOCK
156	2-592-605-01	RUBBER (TM), SEAL
* 157	2-672-562-01	SHEET (CD), RADIATION

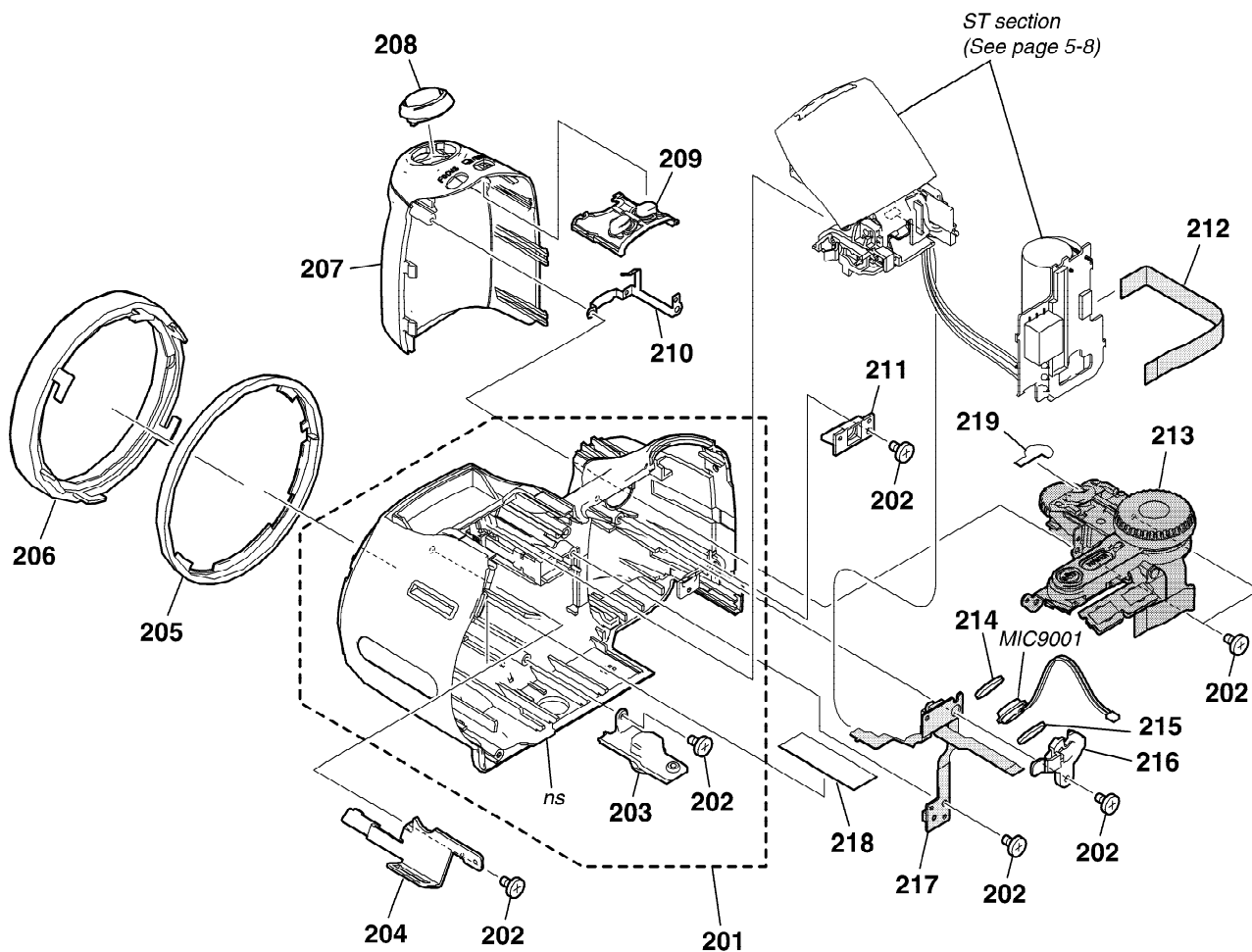
Ref. No.	Part No.	Description
158	1-869-222-11	CD-621 FLEXIBLE BOARD
159	A-1176-923-A	CD-617 BOARD, COMPLETE (IC002 is not included in this COMPLETE board.)
160	2-666-551-21	SCREW, TAPPING, P2
* 161	2-689-504-01	SHEET (LNS 2), RADIATION
IC002	A-1176-035-A	CCD BLOCK ASSY (CCD IMAGER) (IC002 is not included in this COMPLETE board of CD-617.)

Be sure to read "Precautions upon replacing CCD imager" on page 4-3 when changing the CCD imager.

5. REPAIR PARTS LIST

5-1-5. CABINET (FRONT) SECTION

ns : not supplied



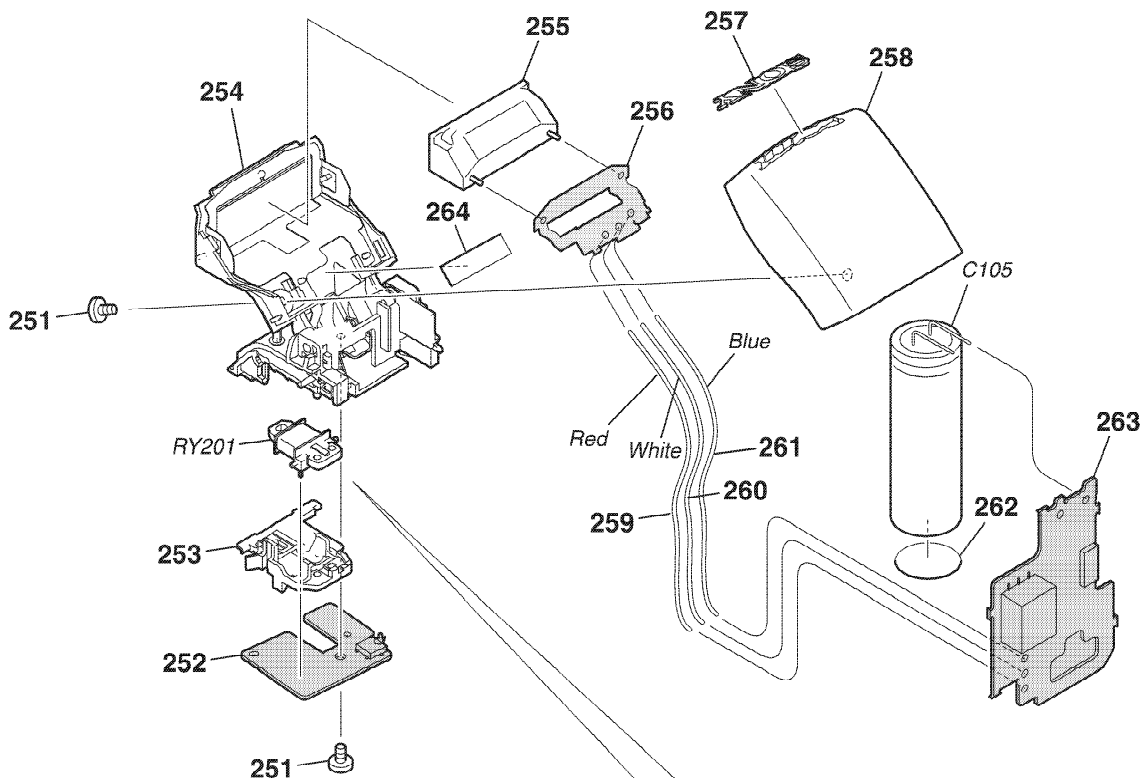
Ref. No.	Part No.	Description
201	X-2108-907-1	CABINET (FRONT) ASSY (420) (SILVER)
201	X-2109-110-1	CABINET (FRONT) ASSY (420D) (BLACK)
202	3-080-204-11	SCREW, TAPPING, P2
203	2-673-230-01	SCREW, TRIPOD
* 204	2-673-328-01	SHEET METAL (R), STRAP
205	2-673-324-11	RING, ORNAMENTAL
206	2-673-323-11	RING, LENS
207	2-673-325-11	GRIP (SILVER)
207	2-673-325-21	GRIP (BLACK)
208	X-2108-326-1	RELEASE ASSY (420)
209	2-673-301-11	BUTTON, FB

Ref. No.	Part No.	Description
* 210	2-673-305-01	PLATE, GRIP GROUND
* 211	2-673-302-01	HOLDER, AF
212	1-831-558-11	FLEXIBLE FLAT CABLE (ST-003)
213	1-479-699-21	SWITCH BLOCK, CONTROL
* 214	2-673-335-01	CUSHION, MICROPHONE
* 215	2-678-097-01	CUSHION (B), MICROPHONE
* 216	2-673-334-01	HOLDER, MICROPHONE
217	A-1176-913-A	AF-105 FLEXIBLE BOARD, COMPLETE
* 218	2-689-505-01	SHEET (TRIPOD), RADIATION
219	2-695-940-01	SPACER, RELEASE
	MIC9001 1-542-618-21	MICROPHONE

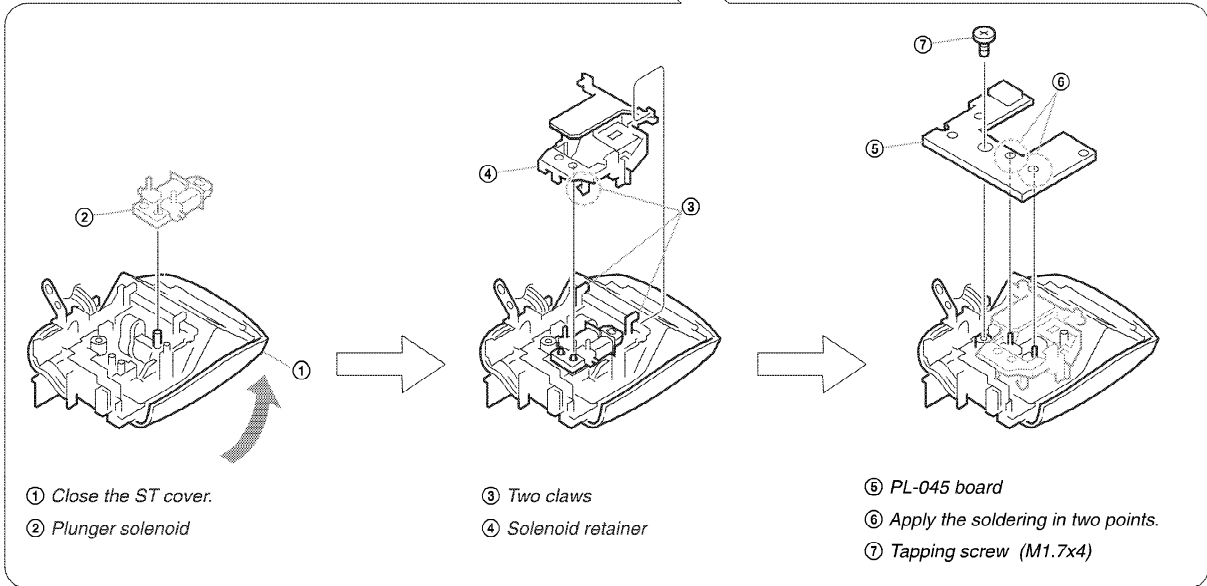
5. REPAIR PARTS LIST

5-1-6. ST SECTION

ns : not supplied



PRECAUTION DURING SOLENOID PLUNGER INSTALLATION



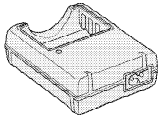
Ref. No.	Part No.	Description
251	3-080-204-11	SCREW, TAPPING, P2
252	A-1176-908-A	PL-045 BOARD, COMPLETE
253	2-629-818-01	RETAINER, SOLENOID
254	X-2108-912-1	BASE ASSY, ST
△ 255	1-479-553-11	FLASH UNIT
256	A-1176-914-A	ST-144 BOARD, COMPLETE
257	2-673-341-01	EMBLEM (320), ST (SILVER)
257	2-673-341-11	EMBLEM (320), ST (BLACK)
258	2-673-326-01	COVER, ST (SILVER)

Ref. No.	Part No.	Description
258	2-673-326-11	COVER, ST (BLACK)
259	1-964-411-11	HARNES (HA-004) (Red)
260	1-964-411-21	HARNES (HA-004) (White)
261	1-964-411-31	HARNES (HA-004) (Blue)
* 262	2-678-098-01	SHEET, ST ELECTROSTATIC
263	A-1176-909-A	ST-142 BOARD, COMPLETE
* 264	2-678-099-01	SHEET, SW MUFFLE
△ C105	1-112-763-11	CAP, ELECT 320uF 330V
RY201	1-455-038-11	SOLENOID, PLUNGER

5. REPAIR PARTS LIST

Checking supplied accessories.

Make sure that the following accessories are supplied with your camcorder.



△ Ni-MH battery charger BC-CS2A/CS2B (1)
(US,CND,JE,J model)

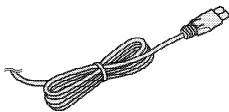
1-479-378-11

△ Ni-MH battery charger BC-CS2A/CS2B (1)
(AEP,UK,E,AUS,HK model)

1-479-378-21

△ Ni-MH battery charger BC-CS2A/CS2B (1)
(KR,CH model)

1-479-378-31



△ Power cord (Mains lead) (1)
(US,CND model)

1-790-107-51

△ Power cord (Mains lead) (1)
(AEP,E model)

1-824-910-31

△ Power cord (Mains lead) (1)
(AUS model)

1-827-945-41

△ Power cord (Mains lead) (1)
(KR model)

1-823-947-51

△ Power cord (Mains lead) (1)
(UK model)

1-827-269-22

△ Power cord (Mains lead) (1)
(HK model)

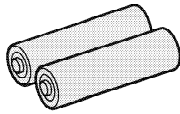
1-783-374-22

△ Power cord (Mains lead) (1)
(CH model)

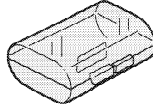
1-782-476-41

△ Power cord (Mains lead) (1)
(JE, J model)

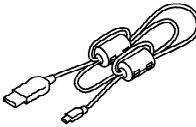
1-792-549-31



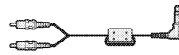
HR6 (size AA) Nickel-Metal
Hydride batteries (2)
(not supplied)



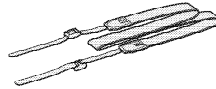
Battery case (1)
3-074-757-01



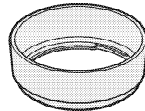
USB cable (1)
1-829-868-41



AV cable (1)
1-824-519-11



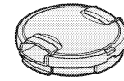
Shoulder strap (1)
2-629-892-01



Lens hood (1)
2-629-860-01



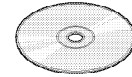
Adaptor ring (1)
2-629-861-01



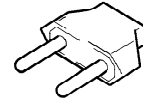
Lens cap (1)
X-2055-960-1



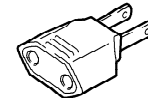
Lens cap strap (1)
3-979-194-31



CD-ROM
(Cyber-shot application software) (1)
(Except BR model)
2-666-673-03



2-pin conversion adaptor (1)
(JE model)
1-569-007-12



2-pin conversion adaptor (1)
(E model)
1-569-008-12

Other accessories

2-673-174-01	INSTRUCTION (READ THIS FIRST) (JAPANESE)(J)	2-673-175-31	INSTRUCTION (READ THIS FIRST) (NORWEGIAN/DANISH)(AEP)
2-673-174-11	INSTRUCTION (READ THIS FIRST) (ENGLISH) (US,CND,AEP,UK,E,AUS,HK,JE)	2-673-176-01	INSTRUCTION (USER'S GUIDE) (JAPANESE)(J)
2-673-174-21	INSTRUCTION (READ THIS FIRST) (FRENCH/ITALIAN) (CND,AEP)	2-673-176-11	INSTRUCTION (USER'S GUIDE) (ENGLISH) (US,CND,AEP,UK,E,AUS,HK,JE)
2-673-174-31	INSTRUCTION (READ THIS FIRST) (SPANISH/PORTUGUESE)(AEP,E,JE)	2-673-176-21	INSTRUCTION (USER'S GUIDE) (FRENCH/ITALIAN) (CND,AEP)
2-673-174-41	INSTRUCTION (READ THIS FIRST) (GERMAN/DUTCH) (AEP)	2-673-176-31	INSTRUCTION (USER'S GUIDE) (SPANISH/PORTUGUESE)(AEP,E,JE)
2-673-174-51	INSTRUCTION (READ THIS FIRST) (SIMPLIFIED CHINESE/TRADITIONAL CHINESE) (E,HK,CH,JE)	2-673-176-41	INSTRUCTION (USER'S GUIDE) (GERMAN/DUTCH)(AEP)
2-673-174-61	INSTRUCTION (READ THIS FIRST) (RUSSIAN)(AEP)	2-673-176-51	INSTRUCTION (USER'S GUIDE) (SIMPLIFIED CHINESE/ TRADITIONAL CHINESE)(E,HK,CH,JE)
2-673-174-71	INSTRUCTION (READ THIS FIRST) (ARABIC/PERSIAN)(E)	2-673-176-61	INSTRUCTION (USER'S GUIDE) (RUSSIAN)(AEP)
2-673-174-81	INSTRUCTION (READ THIS FIRST) (KOREAN)(KR,JE)	2-673-176-71	INSTRUCTION (USER'S GUIDE) (ARABIC/PERSIAN)(E)
2-673-174-91	INSTRUCTION (READ THIS FIRST) (CZECH/POLISH) (AEP)	2-673-176-81	INSTRUCTION (USER'S GUIDE) (KOREAN)(KR,JE)
2-673-175-11	INSTRUCTION (READ THIS FIRST) (HUNGARIAN/SLOVAK)(AEP)	2-673-176-91	INSTRUCTION (USER'S GUIDE) (POLISH/CZECH)(AEP)
2-673-175-21	INSTRUCTION (READ THIS FIRST) (SWEDISH/FINNISH) (AEP)	2-673-177-11	INSTRUCTION (USER'S GUIDE) (HUNGARIAN/SLOVAK) (AEP)
		2-673-177-21	INSTRUCTION (USER'S GUIDE) (SWEDISH/FINNISH) (AEP)
		2-673-177-31	INSTRUCTION (USER'S GUIDE) (NORWEGIAN/DANISH) (AEP)

5-2. ELECTRICAL PARTS LIST

Ref. No.	Part No.	Description
	A-1176-913-A	AF-105 FLEXIBLE BOARD, COMPLETE ***** (D001 is not included in this COMPLETE board.) < DIODE >
D001	Not supplied	DIODE DOR5073 (AF LED) (D001 is not included in this COMPLETE of AF-105 board.) < SWITCH >
S001	1-762-805-21	SWITCH, PUSH (1 KEY)(LENS COVER OPEN)
	A-1176-923-A	CD-617 BOARD, COMPLETE ***** (IC002 is not included in this COMPLETE board.) < CAPACITOR >
C002	1-100-566-91	CERAMIC CHIP 0.1uF 10% 25V
C004	1-107-826-11	CERAMIC CHIP 0.1uF 10% 16V
C005	1-107-826-11	CERAMIC CHIP 0.1uF 10% 16V
C006	1-107-826-11	CERAMIC CHIP 0.1uF 10% 16V
C007	1-107-826-11	CERAMIC CHIP 0.1uF 10% 16V
C009	1-100-566-91	CERAMIC CHIP 0.1uF 10% 25V < CONNECTOR >
* CN001	1-816-057-51	CONNECTOR, FPC (ZIF) 39P < IC >
IC001	8-753-230-85	IC CXA3691EN-T9
IC002	A-1176-035-A	CCD BLOCK ASSY (CCD IMAGER) (IC002 is not included in this COMPLETE of CD-617 board.) < TRANSISTOR >
Q001	6-550-119-01	TRANSISTOR DTC144EMT2L < RESISTOR >
R001	1-218-990-81	SHORT CHIP 0
R002	1-218-990-81	SHORT CHIP 0
R003	1-218-982-11	RES-CHIP 270K 5% 1/16W
R004	1-218-989-11	RES-CHIP 1M 5% 1/16W
R007	1-218-979-11	RES-CHIP 150K 5% 1/16W
R010	1-218-977-11	RES-CHIP 100K 5% 1/16W
R011	1-218-990-81	SHORT CHIP 0
	A-1176-978-A	CK-161 FLEXIBLE BOARD, COMPLETE ***** < CONNECTOR >
* CN001	1-817-391-51	CONNECTOR, FPC (ZIF) 31P

Ref. No.	Part No.	Description
	A-1176-915-A	JK-306 FLEXIBLE BOARD, COMPLETE ***** < CONNECTOR >
CN001	1-794-962-11	CONNECTOR, SQUARE TYPE (USB 5P) < JACK >
J001	1-793-620-41	JACK (A/V OUT)
	A-1176-924-A	MS-305 BOARD, COMPLETE ***** < CAPACITOR >
C301	1-100-786-91	TANTAL. CHIP 22uF 20% 6.3V
C302	1-125-777-11	CERAMIC CHIP 0.1uF 10% 10V < CONNECTOR >
* CN301	1-816-644-51	FFC/FPC CONNECTOR (LIF) 12P
CN302	1-817-827-11	MEMORY STICK DUO CONNECTOR < FERRITE BEAD >
FB301	1-469-581-21	INDUCTOR, FERRITE BEAD (1005)
FB302	1-469-581-21	INDUCTOR, FERRITE BEAD (1005)
FB303	1-469-581-21	INDUCTOR, FERRITE BEAD (1005)
FB304	1-469-581-21	INDUCTOR, FERRITE BEAD (1005)
FB305	1-218-990-81	SHORT CHIP 0 (Note1)
FB306	1-218-990-81	SHORT CHIP 0 (Note1) < RESISTOR >
R302	1-218-953-11	RES-CHIP 1K 5% 1/16W
R303	1-218-940-11	RES-CHIP 82 5% 1/16W
R304	1-218-940-11	RES-CHIP 82 5% 1/16W
	A-1176-908-A	PL-045 BOARD, COMPLETE ***** (RY201 is not included in this COMPLETE board.) < CAPACITOR >
C201	1-165-908-11	CERAMIC CHIP 1uF 10% 10V < CONNECTOR >
* CN201	1-816-654-51	FFC/FPC CONNECTOR (LIF) 6P < DIODE >
D202	8-719-988-61	DIODE 1SS355TE-17
D203	6-500-776-01	DIODE MAZW068HOLS0 < RELAY >
RY201	1-455-038-11	SOLENOID, PLUNGER (RY201 is not included in this COMPLETE of PL-045 board.)

Be sure to read "Precautions upon replacing CCD imager" on page 4-1 when changing the CCD imager.

Note 1:
Resistor is mounted to the location where FB305 and FB306 are printed.

Ref. No.	Part No.	Description
		< SWITCH >
S201	1-786-179-31	SWITCH, PUSH (1KEY)(FLASH POP UP)
A-1176-909-A ST-142 BOARD, COMPLETE ***** (C105 is not included in this COMPLETE board.)		
		< CAPACITOR >
C101	1-100-611-91	CERAMIC CHIP 22uF 20% 6.3V
C102	1-100-611-91	CERAMIC CHIP 22uF 20% 6.3V
C103	1-165-908-11	CERAMIC CHIP 1uF 10% 10V
△C105	1-112-763-11	CAP, ELECT 320uF 330V (C105 is not included in this COMPLETE of ST-142 board.)
C106	1-100-611-91	CERAMIC CHIP 22uF 20% 6.3V
		< CONNECTOR >
* CN101	1-816-644-51	FFC/FPC CONNECTOR (LIF) 12P
		< DIODE >
D101	8-719-056-54	DIODE MAZS068008SO
△D102	6-501-096-01	DIODE CRF02 (TE85R)
		< IC >
IC101	6-707-555-01	IC TPS65552RGTR
		< COIL >
L101	1-456-995-22	INDUCTOR 4.7uH
		< TRANSISTOR >
Q101	6-550-891-01	TRANSISTOR GT8G133 (T2LSONY.Q)
		< RESISTOR >
R103	1-243-975-11	METAL CHIP 4.7M 5% 1/16W
R104	1-218-935-11	RES-CHIP 33 5% 1/16W
		< TRANSFORMER >
△T101	1-443-850-21	DC-DC CONVERTER TRANSFORMER,
A-1176-914-A ST-144 BOARD, COMPLETE *****		
		< CAPACITOR >
C002	1-100-758-11	CERAMIC CHIP 0.047uF 10% 250V
C003	1-100-761-21	CERAMIC CHIP 0.01uF 10% 250V
		< DIODE >
D001	6-500-811-01	DIODE RR255L-400TE25
		< COIL >
L001	1-456-193-11	COIL, TRIGGER

Ref. No.	Part No.	Description
		< RESISTOR >
R001	1-216-121-11	RES-CHIP 1M 5% 1/10W
R002	1-216-097-11	RES-CHIP 100K 5% 1/10W
A-1176-922-A SW-471 BOARD, COMPLETE *****		
		< CONNECTOR >
* CN401	1-815-333-51	CONNECTOR, FPC (ZIF) 33P
* CN402	1-816-654-51	FFC/FPC CONNECTOR (LIF) 6P
		< DIODE >
D401	8-719-064-07	DIODE SML-310LT86 (ACCESS)
D402	6-500-776-01	DIODE MAZW068H0LS0
D403	8-719-056-23	DIODE MA2S111-(K8).SO
		< RESISTOR >
R401	1-208-671-11	METAL CHIP 330 0.5% 1/16W
R402	1-218-970-11	RES-CHIP 27K 5% 1/16W
R403	1-218-962-11	RES-CHIP 5.6K 5% 1/16W
R404	1-218-970-11	RES-CHIP 27K 5% 1/16W
R405	1-218-962-11	RES-CHIP 5.6K 5% 1/16W
		< COMPOSITION CIRCUIT BLOCK >
RB401	1-234-376-11	RES, NETWORK 2.2K (1005X4)
RB402	1-234-376-11	RES, NETWORK 2.2K (1005X4)
		< SWITCH >
S401	1-786-157-11	SWITCH, TACTILE (RIGHT)
S402	1-786-157-31	TACTILE SWITCH (DUST)
S403	1-786-157-11	SWITCH, TACTILE (DOWN)
S404	1-786-157-11	SWITCH, TACTILE (UP)
S405	1-786-157-11	SWITCH, TACTILE (SET)
S406	1-786-157-11	SWITCH, TACTILE (LEFT)
S407	1-786-525-31	TACTILE SWITCH (ZOOM T)
S408	1-786-157-11	SWITCH, TACTILE (DISP)
S409	1-786-525-31	TACTILE SWITCH (ZOOM W)
S410	1-786-157-11	SWITCH, TACTILE (MENU)
SY-150 BOARD, COMPLETE *****		

Electrical parts list of the SY-150 board is not shown.
Pages from 5-12 to 5-15 are not shown.

• Refer to page 5-1 for mark △.