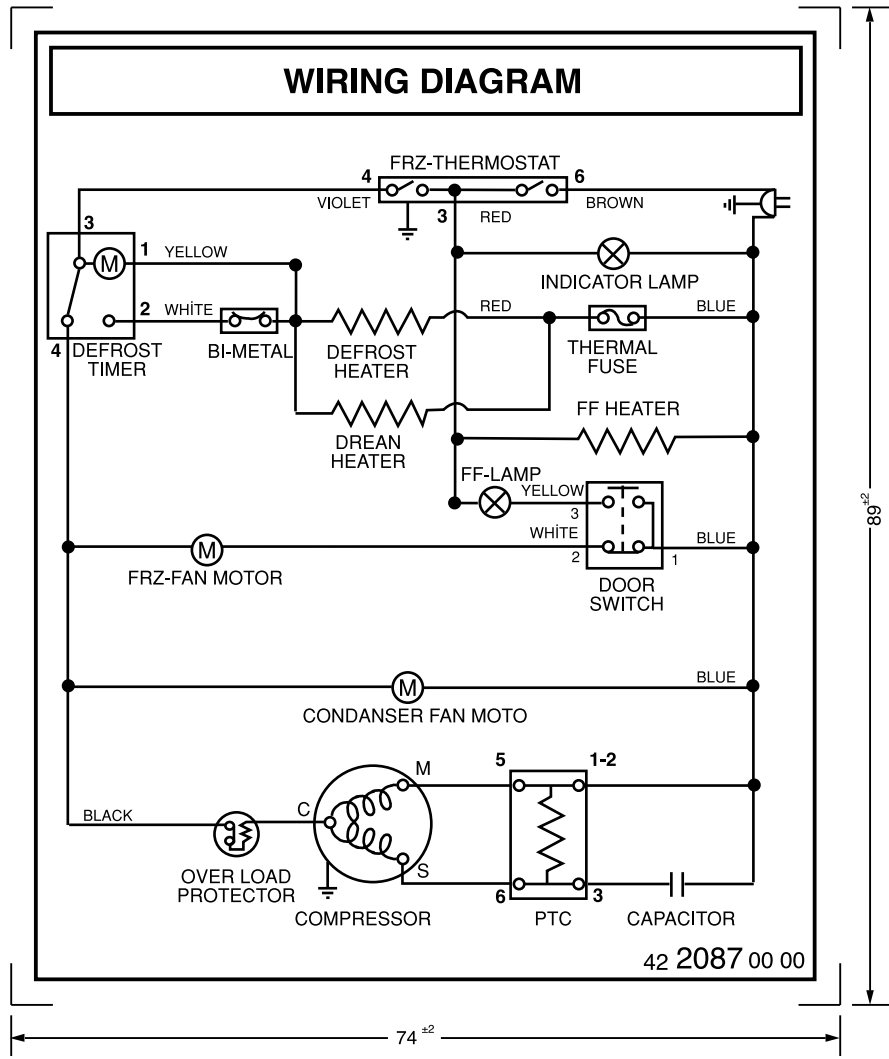


0001 4342811685 B955/FOAMED CABINET/T/W/LIGHT/BE
0003 4306090100 FRZ.BOUTON NDP9100B FU385V
0004 4306300385 THERMOSTAT
0005 4249260200 BANDEAU NDP9100B DPA420
0013 4312620100 CHARNIERE INFERIEURE FU385V
0014 4152080100 CHARNIERE SUP NDP9100
0015 4203930300 PIED CDP7600HCA RF6L01 CNE32100
0019 4236660109 DESHYDRATEUR EX/4243120400
0019 4243120400 DESHYDRATEUR V4236660109
0020 4810490100 PLINTHE CHE40000D
0030 4221150000 COMPRESSEUR
0031 4221310100 BOITIER RELAIS FNE26400S
0032 4244690200 BUSHING (EMBRACO COMPRESSOR).
0033 4296130100 RUBBER GROMMET.
0034 4298920000 RONDELLE
0036 4837900200 SCREW (SF M6X35 WN1352)
0038 4133841585 CORDON D ALIMENTATION DNE47400
0040 4049730100 VIS CONNECTION CAISSE NDP9100
0041 4309230585 BORNIER DE RACCORDEMENT DNE47400
0043 4221290185 RELAIS DNE47400D
0048 4121075085 CAPASITOR ASSEMBLY / V4121075086
0048 4121075086 CAPASITOR ASSEMBLY (5MF/FAST FIX
0057 4221550285 EVAPORATOR-LINE 2001 HCA
0057 4350870385 EVAPORATEUR DNE47400
0100 4047900700 RONDELLE CHAR.PORTE RDP6700HCA
0101 4091950100 BOULON TRAVERSE RRN1370/ EX0000
0103 100601920 VIS RCL3860 2*16 FNE26400S
0113 4246290100 AIR GRILLE PLUG
0118 120600240 M4 DIN 934 CELIK SOMUN
0118 4017220100 NUT
0125 4215790100 VACUUMING TUBE
0125 4215790200 TUBE DE CHARGE
0129 4074170200 CACHE TROU NED110 EX/0000
0130 130500120 RONDELLE FIL MASSE ARDEM320HCA
0130 4810690100 RONDELLE M4
0135 4819020400 CACHE TROU NCC7300 RDL221
0156 4297630100 VIS ARRET DE PORTE NDP9100
0160 9002850710 SCREW (PT-4x20)
0160 111204420 BOLT MRC. B.(M4*20 DIN7985-4.8 Z
0161 4200470100 ARRET DE PORTE NDP9100 CHE42200D
0161 4200470200 ARRET DE PORTE SUP.
0202 4306120100 TRAVERSE COMPRESSEUR NDP9100
0205 4109812185 CABLE ASSEMBLE CNE32100 CHE42200
0212 4802860500 BALCONNET DROIT CHE40000D
0213 4802860600 BALCONNET GAUCHE CHE40000D
0214 4298110300 80 MM DOOR SHELF(70 CM)
0218 4838490300 SUPPORT OEUF (PANTONE Q-290-5-2
0227 4055881600 RONDELLE CHE40000D TSE1230FS
0237 4049970200 HANDLE SCREW
0239 4249400100 DOUILLE CHARNIERE INTER NDP9100
0241 4297100100 CACHE TROU DE PORTE NDP9100
0250 4804560100 DOUILLE D AXE
0251 4324850100 JOINT PORTE NDP9100 EX/415005010
0252 4324850400 JOINT PORTE REFRIG. DNE47400D
0255 4298090400 BALCONNET DSE45000 CHE42200D

0256 4250520110 ARRET PORTE DROIT NDO9100B
0256 4250530110 CHARNIERE DNE44080
0310 4348980500 GLASS SHELF ASSY(LINE 2001)
0311 4143179500 BAC A LEGUMES DSE 41000
0381 4218950100 RESISTANCE DEGIVRAGE
0381 4254090385 RESISTANCE DE DEGIVRAGE / V42189
0397 4139680000 RACCORD LOCKRING RRN1370
0404 4035890385 LAMPE RBI6300HCA RF6L01 TSE1230
0601 4152160110 CHARNIERE INTERMEDIAIRE EX/0100
0625 4249570100 PANNEAU NDP9100
0638 4248680200 SEPARATION BAC LEG. RDP6700HCA
0700 4807560185 BOUTON ON/OFF-(ARC P1).
0701 4350460185 BOITIER DE THERMOSTAT DNE47400D
0713 4213620185 RESIS.DE DEGIV V4099980185
0720 4809560100 HELICE VENTILO (NF-CCW-100MM)
0724 4151840185 MOTEUR VENTILATEUR COMP
0724 4151840485 MOTEUR VENTILATEUR COMPRESSEUR
0730 4227510100 POIGNEE ARRIERE DROIT NCB9700
0736 4306250200 CAISSE THERMOSTAT NDP9100
0738 4227570400 TIROIR A GLACONS CHE40000D
0741 4249440100 FOND D EVAPORATEUR NDP9100
0745 4249860100 COMPARTIMENT BAC GLACONS NDP9100
0765 4248720800 DESSUS BAC A LEGUMES DNE47400D
0766 4248740300 GLISSIERE BAC LEGUMES NDP9110A
0799 4249010600 CLAYETTE FREEZER
0806 4223100100 CACHE VIS
0807 4250860100 CACHE VIS BOITIER TH NDP9100
0808 4227610100 SUPPORT BAC A GLACON NDP9110A
0809 4145480500 BAC A GLACONS
0824 4305800100 GRILLE D AERATION
0825 4248990100 PLINTHE INT CONG NDP9100
0828 4227520100 POIGNEE ARRIERE GAUCHE NDP9100
0831 4249970100 PANNEAU ARRIERE NDP9100
0836 4807680100 CARTER EVAPORATEUR DNE47400D
0838 4298100400 BALCONNET BOUTEILLES DSE45000
0848 4322040385 CONDENSEUR
0854 4241200200 TUBE NDP9100
0946 4832450100 NEW DUBEL LINE 2001).
0947 4805200100 ORNEMENT BANDEAU EX/4209900100
0948 4805210100 COUVERCLE CHARNIERE GAUCHE
0951 4248630100 BOUCHON BAC LEGUMES RDP6700HCA
0953 4305750885 ENS.THERMOSTAT CONGEL DNE47400DS
0954 4306310100 ROULETTE NDP9100 RF6L01
0955 4811830100 VIS M5X16 R3400
0956 4249190100 FIXATION PIED GAUCHE NDP9100
0959 4221320100 SUPPORT RELAIS FNE26400S
0960 4823520100 FILTRE D AERATION
0962 4249230100 SEPARATION BAC LEGUMES NDP9560A
0966 4321800800 PORTE CONGELATEUR DNE44080
0967 4321671400 PORTE REFRIGERATEUR DNE47400D
0970 9003270700 VIS POIGNEE NDP9100 V BEKL
0970 4242270200 VIS RRN1370A 4*16
0971 4298630100 CACHE POIGNEE NDP9100B
0973 4305890185 VENTILATEUR
0974 4239400100 SILENT BLOC EVAPO. NDP9100
0976 4250320100 ARRET PORTE REF INF NDP9100

0983 4305760385 ENS.THERMOSTAT REFRIG. DNE47400D
0984 4810440100 CACHE CHARNIERE GAUCHE SUP
0991 4326390600 POIGNEE CONGELATEUR V4323290100
0991 4323290100 POIGNEE DE PORTE
0992 4326390100 POIGNEE REFRIGERATEUR
0995 9000130300 PROTECTEUR TUBE D ASPIRATION
1002 4350470700 CLAPET D AERATION
1003 4250750100 SUPPORT NDP9110A
1009 4248660200 BAC 290-5-2
1015 4303370185 EVA.FRONT/BACK COVER ASSY-(WYTH
1016 4298950100 COUVERCLE INF NDP9100
1026 4317410500 BEC DISTRIBUTEUR D EAU CHE40000D
1027 4800080200 GRILLE DE FILTRATION DNE47400D
1028 4800070200 BAC GRILLE DE FILTRAGE DNE47400D
1029 4843260200 RESERVOIR EAU ASS (BOUCHON)
1030 4297380100 BOUCHON INTEGRE PLASTIQUE (NU)
1031 4310860100 COUVERCLE RESERV. D EAU CHE40000
1033 4250670100 DOUILLE DE PORTE INF NDP9100
1072 4297280100 CAPOT RESERVOIR D EAU CHE40000D
1073 4810430100 CACHE CHARNIERE SUP.DROIT
1076 4809540100 VENTILATEUR
1076 4295860185 TURBINE VENTILATEUR
1163 4297270100 SUPPORT RESERVOIR EAU
1208 4086410000 BALANCIER



NOT:

1-Baskı rengi Siyah olacaktır.

2-TS 87 2.2.3 e uygun olacaktır.

3-Etiketin arkası yapışkanlı ve yapışkanlı bölümün üstü yağlı kağıt kaplı olacaktır.

4-Etiket yağlı kağıttan hızlı olarak çekildiği zaman etiket üzerinde kıvrılma izleri olmayacaktır.

02	01	TİP	MALZEME	RENK	STANDART	ÖLÇÜ	MALZEME				
							ARÇELİK				
							İNCE OPAK				
							ELEKTRİK DEVRE ŞEMASI				
							RESİM NO.				
							ÖLÇEK				
							Ma. Sınıf				
							KOMP. SIRA NO.				
							TİP				
							ST. DEĞ.				
							SAYFA NO				
							TAMAMI				
							YERİNE GEÇTİ				
TİP	D	S. NO.	D.T.NO.	TARİH	KONTROL	ONAY					