

## S7. Replacement Parts List

- Note:
- \* Be sure to make your orders of replacement parts according to this list.
  - IMPORTANT SAFETY NOTICE  
Components identified with the mark  $\triangle$  have the special characteristics for safety.  
When replacing any of these components, use only the same type.
  - Unless otherwise specified,  
All resistors are in OHMS, K=1,000 OHMS. All capacitors are in MICRO-FARADS (uf), P=uuF.
  - The marking (RTL) indicates the retention time is limited for this item. After the discontinuation of this assembly in production, it will no longer be available.

**E.S.D. standards for Electrostatically Sensitive Devices, refer to “PREVENTION OF ELECTROSTATIC DISCHARGE (ESD) TO ELECTROSTATICALLY SENSITIVE (ES) DEVICES” section.**

**\*VXY2012 parts are supplied by PAVCSG.**

DMR-XW400EFK

Ref.No.	Part No.	Part Name & Description	Pcs	Remarks
##	VEP74116B	OPT CORE P.C.B.		(RTL)
C4801	F2A1E470A205	25V 47U	1	
C4802	ECJ1VB1C104K	16V 0.1U	1	
C4803	F2A1E470A205	25V 47U	1	
C4804	ECJ1VB1C104K	16V 0.1U	1	
C4805	ECJ1VB1C104K	16V 0.1U	1	
C4806	F2A0J470A599	6.3V 47U	1	
C4807	F2A1C220B297	16V 22U	1	
JK4801	K2YZ02000037	JACK,DIGITAL AUDIO OUT	1	
L4801	G0C220JA0019	COIL 22UH	1	
P4801	K1KB05B00022	CONNECTOR(5P)	1	
Q4801	B1ABDF000026	TRANSISTOR	1	
R4801	ERJ3GEYJ470V	1/10W 47	1	
R4802	ERJ3GEYJ102V	1/10W 1K	1	
R4803	ERJ3GEYJ102V	1/10W 1K	1	
R4804	ERJ3GEYJ102V	1/10W 1K	1	
R4805	ERJ3GEYJ221V	1/10W 220	1	
R4806	ERJ3GEYJ750V	1/10W 75	1	
R4807	ERJ3GEYJ103V	1/10W 10K	1	
##	RFKB71148D	POWER TIMER P.C.B.		(RTL)
C1601	F2A1A1810008	10V 180U	1	
C1605	F2A1A1810008	10V 180U	1	
C1651	F1H1A105A028	10V 1U	1	
C1652	F1H1A105A028	10V 1U	1	
C1653	ECJ1VB1H103K	50V 0.01U	1	
C1657	ECJ1VB0J105K	6.3V 1U	1	
C1658	ECJ1VB1H103K	50V 0.01U	1	
C1661	ECJ1VB1H103K	50V 0.01U	1	
C1662	F1H1A105A028	10V 1U	1	
C1663	F1H1A105A028	10V 1U	1	
C3801	ECJ1VB1H102K	50V 1000P	1	
C3803	ECJ1VB1H102K	50V 1000P	1	
C3804	ECJ1VB1C104K	16V 0.1U	1	
C6801	ECJ1VB1H103K	50V 0.01U	1	
C6804	ECJ1VB1C104K	16V 0.1U	1	
C6805	F1J0J106A014	6.3V 10U	1	
C6806	F1J0J106A014	6.3V 10U	1	
C6807	F1J0J106A014	6.3V 10U	1	
C6808	F1J0J106A014	6.3V 10U	1	
C6809	ECJ1VB1C104K	16V 0.1U	1	
C6810	ECJ1VB1C104K	16V 0.1U	1	
C6811	F2A1C1210017	16V 120P	1	
C6812	ECJ1VB1C104K	16V 0.1U	1	
C7506	ECJ1VC1H221J	50V 220P	1	
C7507	ECJ1VB1C104K	16V 0.1U	1	
C7508	ECJ1VC1H221J	50V 220P	1	
C7512	ECJ1VC1H100D	50V 10P	1	
C7513	ECJ1VC1H100D	50V 10P	1	
C7516	ECJ1VC1H180J	50V 18P	1	
C7517	ECJ1VC1H180J	50V 18P	1	
C7518	ECJ1VC1H220J	50V 22P	1	
C7519	ECJ1VC1H180J	50V 18P	1	
C7522	ECJ1VC1H101J	50V 100P	1	
C7523	F1H1A105A028	10V 1U	1	
C7524	ECJ1VB1H102K	50V 1000P	1	
C7525	ECJ1VB1H102K	50V 1000P	1	
C7526	ECJ1VB1H102K	50V 1000P	1	
C7527	ECJ1VB1H103K	50V 0.01U	1	
C7529	F2A0J471A832	6.3V 470U	1	
C7531	F2A0J471A832	6.3V 470U	1	
C7533	F4D55473A013	5.5V 0.047	1	
C7535	ECJ1VB1C104K	16V 0.1U	1	
C7544	F2A1H220B040	50V 22U	1	
C7547	F2A1C221B111	16V 220U	1	
C7548	ECJ1VB1H103K	50V 0.01U	1	
C7549	F2A1C221B111	16V 220U	1	
C7550	F2A1V470A831	35V 47U	1	

Ref.No.	Part No.	Part Name & Description	Pcs	Remarks
C7551	ECQB1H392KF3	50V 3900P	1	
C7552	F2A1H220B040	50V 22U	1	
C7553	ECJ1VB1C104K	16V 0.1U	1	
C7554	ECJ1VB1C104K	16V 0.1U	1	
C7560	ECJ1VB1H103K	50V 0.01U	1	
C7561	ECJ1VF1C104Z	16V 0.1U	1	
C7587	F1H1A105A028	10V 1U	1	
△ C11101	ECQU2A683MLC	0.068U	1	
△ C11102	ECKWNA102MEV	1000P	1	
△ C11103	ECKWNA102MEV	1000P	1	
△ C11104	ECQU2A223MLC	0.022U	1	
C11107	F2B2G8200010	400V 82U	1	
△ C11109	ECKWNA102MEV	1000P	1	
C11201	F1B3A2220009	1000V 2200U	1	
C11202	F2A1H1010044	50V 100U	1	
C11203	ECJ1VC1H151J	50V 150P	1	
C11204	ECJGVB1H332K	50V 3300P	1	
C11205	ECJ1VB1H102K	50V 1000P	1	
C11206	F1B3D331A011	330P	1	
C11302	F2A1H1010044	50V 100U	1	
C11303	ECJ2VC1H221J	50V 220P	1	
C11304	ECJ1VB1H332K	50V 3300P	1	
C11305	ECJGVB1H102K	50V 1000P	1	
C11306	F1B3D221A011	220P	1	
C12105	ECJ1VB1C104K	16V 0.1U	1	
C12106	ECJ2VB1E473K	25V 0.047U	1	
C12202	ECJ1VB1C104K	16V 0.1U	1	
C12203	ECJ2VB1E473K	25V 0.047U	1	
C13104	F2A1C2220081	16V 2200P	1	
C13105	F2A1C1020095	16V 1000U	1	
C13201	F2A1C1520021	16V 1500U	1	
C13202	F2A1C1520021	16V 1500U	1	
C13203	F2A1C5610006	16V 560U	1	
C14201	F2A1C1210022	16V 120P	1	
C14202	F2A1C1210022	16V 120P	1	
C14203	F1J1C105A091	16V 1U	1	
C14204	ECJ1VB1C104K	16V 0.1U	1	
C14205	ECJ1VB1C104K	16V 0.1U	1	
C14206	ECJ1VC1H181J	50V 180P	1	
C14207	ECJGVB1H103K	50V 0.01U	1	
C14208	F1K1C106A062	16V 10U	1	
C14209	F2A1A6810017	10V 680U	1	
C14301	F2A1C1210022	16V 120P	1	
C14302	F1J1C105A091	16V 1U	1	
C14303	ECJ1VB1C104K	16V 0.1U	1	
C14304	ECJ1VB1C104K	16V 0.1U	1	
C14305	ECJ1VC1H181J	50V 180P	1	
C14306	ECJGVB1H103K	50V 0.01U	1	
C14307	F1K1C106A062	16V 10U	1	
C14308	F2A1A6810017	10V 680U	1	
C14401	F2A1C1210022	16V 120P	1	
C14402	F1J1C105A091	16V 1U	1	
C14403	ECJ1VB1C104K	16V 0.1U	1	
C14404	ECJ1VB1C104K	16V 0.1U	1	
C14405	ECJ1VC1H270J	50V 27P	1	
C14406	ECJGVB1H103K	50V 0.01U	1	
C14407	F1K1C106A062	16V 10U	1	
C14408	F2A1A6810017	10V 680U	1	
D7501	MA2C165001VT	DIODE	1	
D7502	MAZ4180NHF	DIODE	1	
D7503	B0BA03600021	DIODE	1	
D7504	B0JAMD000026	DIODE	1	
D7505	B0AADM000003	DIODE	1	
D7506	B0AADM000003	DIODE	1	
D7507	MAZ4220NMF	DIODE	1	
D7511	B0ACKK000005	DIODE	1	
D10101	MAZJ11100L	DIODE	1	
D10102	MAZJ11100L	DIODE	1	
D10103	ERJ6GEY0R00V	1/8W 0	1	
D11101	B0EDKT000009	DIODE	1	
D11201	B0HADV000001	DIODE	1	
D11202	B0AADM000003	DIODE	1	
D11203	MAZ81000ML	DIODE	1	
D11204	MAZJ11100L	DIODE	1	
D11205	B0HADV000001	DIODE	1	
D11206	MAZ73000BC	DIODE	1	

DMR-XW400EFK

Ref.No.	Part No.	Part Name & Description	Pcs	Remarks	Ref.No.	Part No.	Part Name & Description	Pcs	Remarks
D11207	MAZ4160NMF	DIODE	1		LB7503	ERJ3GEYR00V	1/10W 0	1	
D11302	B0ADM000003	DIODE	1		LB7504	ERJ3GEYR00V	1/10W 0	1	
D11303	MAZ81000ML	DIODE	1		LB7505	ERJ3GEYR00V	1/10W 0	1	
D11304	MAZJ11100L	DIODE	1		LB7506	ERJ3GEYR00V	1/10W 0	1	
D11305	B0HADV000001	DIODE	1		LB7507	ERJ3GEYR00V	1/10W 0	1	
D11306	MAZ73000BC	DIODE	1		LB7508	ERJ3GEYR00V	1/10W 0	1	
D11307	B0ADM000003	DIODE	1		LB11101	J0JGC0000020	COIL	1	
D13102	B0JBSG000048	DIODE	1		LB11102	J0JGC0000020	COIL	1	
D13201	B0JBSG000040	DIODE	1		LB14201	J0JHC0000048	FILTER	1	
D14201	B0JCPD000021	DIODE	1		LB14301	J0JHC0000048	FILTER	1	
D14202	B0JCPD000021	DIODE	1		LB14401	J0JHC0000048	FILTER	1	
D14301	B0JCPD000021	DIODE	1						
D14302	B0JCPD000021	DIODE	1		P1602	K1KA04AA0301	CONNECTOR(4P)	1	
D14401	B0JCPD000021	DIODE	1		P1603	K1KA04AA0193	CONNECTOR(4P)	1	
D14402	B0JCPD000021	DIODE	1		P3801	K1KA04AA0193	CONNECTOR(4P)	1	
					P3802	K1KA07AA0193	CONNECTOR(7P)	1	
△ F11101	K5D202BK0005	FUSE	1		P6701	K1KY09AA0606	CONNECTOR(9P)	1	
					P6702	K1KY23AA0606	CONNECTOR(23P)	1	
IC1601	C0EBK0000206	IC	1		P6703	K1KY23AA0606	CONNECTOR(23P)	1	
IC1651	C0CBCBD00008	IC	1		P6704	K1KY15AA0606	CONNECTOR(15P)	1	
IC1653	C0BCBY00001	IC	1		P6801	K1NA12B00004	CONNECTOR(12P)	1	
IC6801	C0DBEY00016	IC	1		P6802	K1FY104B0006	CONNECTOR(4P)	1	
IC6802	C0DBZHE00024	IC	1		P6803	K1KA05AA0193	CONNECTOR(5P)	1	
IC6803	RFKFM42EFE2P	IC	1		P6804	K1FY104B0011	CONNECTOR(104P)	1	
IC7501	C2CBHG000254	IC	1		P7501	K1KB14B00028	CONNECTOR(14P)	1	
IC7502	C0EBK0000206	IC	1		△ P11101	K2AA2H000007	AC INLET	1	
IC7503	C5HBZHC00001	IC	1						
IC7504	C0ABBA000168	IC	1		Q1651	B1ABDF000026	TRANSISTOR	1	
IC11201	C0DACZH00017	IC	1		Q7505	B1ABMF000020	TRANSISTOR	1	
IC11301	C0DACZH00017	IC	1		Q7506	B1ABGC000011	TRANSISTOR	1	
IC12102	C0DAEY00022	IC	1		Q7507	B1BACG000058	TRANSISTOR	1	
IC12201	C0DAEY00022	IC	1		Q7508	2SD0601A0L	TRANSISTOR	1	
IC14201	C0DBAZZ00131	IC	1		Q7509	2SD0601A0L	TRANSISTOR	1	
IC14301	C0DBAZZ00131	IC	1		Q7510	B1ABDF000026	TRANSISTOR	1	
IC14401	C0DBAZZ00131	IC	1		Q7511	B1ADCF000154	TRANSISTOR	1	
					Q7512	B1CFHC000003	TRANSISTOR	1	
△ IP7501	K5H751Z00003	IC PROTECTOR	1		Q7513	2SD0601A0L	TRANSISTOR	1	
△ IP7502	K5H751Z00003	IC PROTECTOR	1		Q7514	2SD0601A0L	TRANSISTOR	1	
					Q7515	B1ABDF000026	TRANSISTOR	1	
JK3801	K2HA107B0002	JACK,AV3 IN	1		Q7516	B1ABDF000026	TRANSISTOR	1	
JK3802	K2HZ106B0011	JACK,S VIDEO	1		Q7517	B1ABDF000026	TRANSISTOR	1	
					Q10101	B1ABDF000033	TRANSISTOR	1	
K7508	ERJ3GEYR00V	1/10W 0	1		△ Q10102	B3PBA0000454	TRANSISTOR	1	
K7511	ERJ3GEYR00V	1/10W 0	1		△ Q12102	B3PBA0000454	TRANSISTOR	1	
K7512	ERJ3GEYR00V	1/10W 0	1		△ Q12201	B3PBA0000454	TRANSISTOR	1	
K7513	ERJ3GEYR00V	1/10W 0	1		Q14201	B1DHED000008	TRANSISTOR	1	
K7519	ERJ6GEYR00V	1/8W 0	1		Q14301	B1DHED000008	TRANSISTOR	1	
K7524	ERJ3GEYR00V	1/10W 0	1		Q14401	B1DHED000008	TRANSISTOR	1	
K7525	ERJ3GEYR00V	1/10W 0	1						
K7526	ERJ3GEYR00V	1/10W 0	1		QR1651	B1GBCFNN0041	TRANSISTOR	1	
K7538	ERJ3GEYR00V	1/10W 0	1		QR1652	B1GDCFGG0028	TRANSISTOR	1	
K7539	ERJ3GEYR00V	1/10W 0	1		QR7502	B1GDCFNN0024	TRANSISTOR	1	
					QR7507	B1GDCFLL0037	TRANSISTOR	1	
L1601	G0A100HA0023	COIL 10UH	1		QR7508	B1GBCFLL0042	TRANSISTOR	1	
L7502	G0C390JA0021	COIL 39UH	1		QR7510	B1GBCFNN0041	TRANSISTOR	1	
△ L11101	G0B233D00001	COIL	1		QR10101	B1GBCFNN0043	TRANSISTOR	1	
△ L11102	G0B233D00001	COIL	1						
L13102	G0A100H00025	COIL 10UH	1		R1601	ERJ3GEYJ223V	1/10W 22K	1	
L13201	G0A100K00003	COIL 10UH	1		R1603	ERJ3RBD222V	1/16W 2.2K	1	
L14201	G0A220GA0026	COIL 22UH	1		R1604	ERJ3RBD242V	1/16W 2.4K	1	
L14202	G0A150ZA0041	COIL 15UH	1		R1605	ERJ3GEYJ684V	1/10W 680K	1	
L14301	G0A220GA0026	COIL 22UH	1		R1651	ERJ3GEYJ823V	1/10W 82K	1	
L14302	G0A150ZA0041	COIL 15UH	1		R1654	ERJ6GEYJ101V	1/8W 100	1	
L14303	G0A100HA0023	COIL 10UH	1		R1655	ERJ3GEYJ472V	1/10W 4.7K	1	
L14401	G0A220GA0026	COIL 22UH	1		R3801	ERJ3GEYJ750V	1/10W 75	1	
L14402	G0A100K00003	COIL 10UH	1		R3802	ERJ3GEYJ750V	1/10W 75	1	
L14403	G0A100HA0023	COIL 10UH	1		R3803	ERJ3GEYJ750V	1/10W 75	1	
					R3804	ERJ3GEYJ102V	1/10W 1K	1	
LB3801	J0JBC0000011	COIL	1		R6801	J0JCC0000185	COIL	1	
LB3802	J0JBC0000011	COIL	1		R6802	ERJ3GEYJ820V	1/10W 82	1	
LB3803	ERJ3GEYR00V	1/10W 0	1		R6803	ERJ3GEYJ820V	1/10W 82	1	
LB3804	ERJ3GEYR00V	1/10W 0	1		R6804	ERJ3GEYJ223V	1/10W 22K	1	
LB3805	ERJ3GEYR00V	1/10W 0	1		R6805	ERJ3GEYJ123V	1/10W 12K	1	
LB6801	J0JHC0000032	COIL	1		R6806	ERJ3RBD273V	1/16W 27K	1	
LB6802	J0JCC0000185	COIL	1		R6807	ERJ3GEYJ223V	1/10W 22K	1	
LB6803	J0JGC0000020	COIL	1		R6808	ERJ3GEYJ2R2V	1/10W 2.2	1	
LB7502	ERJ3GEYR00V	1/10W 0	1		R6809	ERJ3GEYJ2R2V	1/10W 2.2	1	

DMR-XW400EFK

Ref.No.	Part No.	Part Name & Description	Pcs	Remarks
R6810	ERJ3GEYJ2R2V	1/10W 2.2	1	
R6811	ERJ3GEYJ2R2V	1/10W 2.2	1	
R6812	ERJ3GEYJ2R2V	1/10W 2.2	1	
R6813	ERJ3GEYJ123V	1/10W 12K	1	
R6814	ERJ3GEYJ123V	1/10W 12K	1	
R6815	ERJ3GEYJ123V	1/10W 12K	1	
R6816	ERJ3GEYJ123V	1/10W 12K	1	
R6817	ERJ3GEYJ820V	1/10W 82	1	
R6818	ERJ3GEYJ820V	1/10W 82	1	
R6819	ERJ3GEYJ820V	1/10W 82	1	
R6820	ERJ3GEYJ820V	1/10W 82	1	
R6821	ERJ3RBD392V	1/16W 3.9K	1	
R6822	ERJ3RBD103V	1/16W 10K	1	
R6823	ERJ3GEYJ103V	1/10W 10K	1	
R6824	ERJ3GEY0R00V	1/10W 0	1	
R6825	ERJ3GEY0R00V	1/10W 0	1	
R7503	ERJ3GEY0R00V	1/10W 0	1	
R7509	ERJ3GEYJ101V	1/10W 100	1	
R7510	ERJ3GEYJ101V	1/10W 100	1	
R7511	ERJ3GEYJ103V	1/10W 10K	1	
R7512	ERJ3GEYJ101V	1/10W 100	1	
R7513	ERJ3GEYJ472V	1/10W 4.7K	1	
R7514	ERJ3GEYJ101V	1/10W 100	1	
R7516	ERJ3GEYJ101V	1/10W 100	1	
R7517	ERJ3GEYJ472V	1/10W 4.7K	1	
R7518	ERJ3GEYJ101V	1/10W 100	1	
R7519	ERJ3GEYJ101V	1/10W 100	1	
R7520	ERJ3GEYJ473V	1/10W 47K	1	
R7521	ERJ3GEYJ101V	1/10W 100	1	
R7522	ERJ3GEYJ223V	1/10W 22K	1	
R7523	ERJ3GEYJ682V	1/10W 6.8K	1	
R7524	ERJ3GEYJ223V	1/10W 22K	1	
R7525	ERJ3GEYJ101V	1/10W 100	1	
R7526	ERJ3GEYJ472V	1/10W 4.7K	1	
R7527	ERJ3GEYJ101V	1/10W 100	1	
R7529	ERJ3GEYJ331V	1/10W 330	1	
R7530	ERJ3GEYJ331V	1/10W 330	1	
R7531	ERJ3GEYJ104V	1/10W 100K	1	
R7532	ERJ3GEYJ563V	1/10W 56K	1	
R7533	ERJ3GEY0R00V	1/10W 0	1	
R7534	ERJ3GEYJ331V	1/10W 330	1	
R7535	ERJ3GEYJ103V	1/10W 10K	1	
R7536	ERJ3GEYJ101V	1/10W 100	1	
R7537	ERJ3GEYJ101V	1/10W 100	1	
R7538	ERJ3GEYJ101V	1/10W 100	1	
R7539	ERJ3GEYJ822V	1/10W 8.2K	1	
R7540	ERJ3GEYJ822V	1/10W 8.2K	1	
R7542	ERJ3GEYJ822V	1/10W 8.2K	1	
R7543	ERJ3GEYJ101V	1/10W 100	1	
R7544	ERJ3GEYJ101V	1/10W 100	1	
R7545	ERJ3GEYJ101V	1/10W 100	1	
R7546	ERJ3GEYJ101V	1/10W 100	1	
R7547	ERJ3GEYJ101V	1/10W 100	1	
R7548	ERJ3GEYJ101V	1/10W 100	1	
R7549	ERJ3GEYJ101V	1/10W 100	1	
R7550	ERJ3GEYJ101V	1/10W 100	1	
R7551	ERJ3GEYJ101V	1/10W 100	1	
R7552	ERJ3GEYJ104V	1/10W 100K	1	
R7553	ERJ3GEYJ103V	1/10W 10K	1	
R7555	ERJ3GEYJ472V	1/10W 4.7K	1	
R7556	ERJ3GEYJ562V	1/10W 5.6K	1	
R7557	ERJ3GEYJ473V	1/10W 47K	1	
R7560	ERJ3GEYJ101V	1/10W 100	1	
R7561	ERJ3GEYJ101V	1/10W 100	1	
R7562	ERJ3GEYJ101V	1/10W 100	1	
R7563	ERJ3GEYJ472V	1/10W 4.7K	1	
R7565	ERJ3GEYJ223V	1/10W 22K	1	
R7566	ERJ3GEYJ103V	1/10W 10K	1	
R7567	ERJ3GEYJ821V	1/10W 820	1	
R7568	ERJ3GEYJ473V	1/10W 47K	1	
R7570	ERJ3GEYJ103V	1/10W 10K	1	
R7571	ERJ3GEYJ101V	1/10W 100	1	
R7572	ERJ3GEYJ101V	1/10W 100	1	
R7573	ERJ3GEYJ273V	1/10W 27K	1	
R7574	ERJ3GEYJ473V	1/10W 47K	1	
R7575	ERJ3GEYJ332V	1/10W 3.3K	1	
R7576	ERJ3GEYJ102V	1/10W 1K	1	

Ref.No.	Part No.	Part Name & Description	Pcs	Remarks
R7577	ERJ3GEYJ473V	1/10W 47K	1	
R7578	ERJ3GEYJ224V	1/10W 220K	1	
R7579	ERJ3GEYJ473V	1/10W 47K	1	
R7580	ERJ3GEYJ225V	1/10W 2.2M	1	
R7581	ERJ3GEYJ472V	1/10W 4.7K	1	
R7582	ERJ3RBD182V	1/16W 1.8K	1	
R7583	ERJ3GEYJ103V	1/10W 10K	1	
R7584	ERJ3GEYJ103V	1/10W 10K	1	
R7585	ERJ3GEYJ104V	1/10W 100K	1	
R7587	ERJ3RBD332V	1/16W 3.3K	1	
R7588	ERJ3GEYJ104V	1/10W 100K	1	
R7589	ERJ3GEYJ221V	1/10W 220	1	
R7591	ERJ3GEYJ472V	1/10W 4.7K	1	
R7592	ERJ3GEYJ181V	1/10W 180	1	
R7593	ERJ3GEYJ472V	1/10W 4.7K	1	
R7594	ERJ3GEYJ303V	1/10W 30K	1	
R7595	ERJ3GEYJ101V	1/10W 100	1	
R7596	ERJ3GEYJ473V	1/10W 47K	1	
R7597	ERJ3GEYJ101V	1/10W 100	1	
R7598	ERJ3GEYJ101V	1/10W 100	1	
R7599	ERJ3GEYJ102V	1/10W 1K	1	
R7600	ERJ3GEYJ473V	1/10W 47K	1	
R7601	ERJ3GEYJ101V	1/10W 100	1	
R7602	ERJ3GEYJ101V	1/10W 100	1	
R7603	ERDS2TJ271T	1/4W 270	1	
R7604	ERJ3GEYJ473V	1/10W 47K	1	
R7605	ERJ3GEYJ470V	1/10W 47	1	
R7606	ERJ3GEYF393V	1/10W 39K	1	
R7607	ERJ3GEYJ222V	1/10W 2.2K	1	
R7608	ERJ3GEYF433V	1/10W 43K	1	
R7609	ERJ3GEYJ101V	1/10W 100	1	
R7610	ERJ3GEYJ103V	1/10W 10K	1	
R7611	ERJ3GEYJ101V	1/10W 100	1	
R7615	ERJ3GEYJ223V	1/10W 22K	1	
R7616	ERJ3GEYJ472V	1/10W 4.7K	1	
R7617	ERJ3GEYJ223V	1/10W 22K	1	
R7660	ERJ3GEYJ103V	1/10W 10K	1	
R7668	ERJ3GEYJ101V	1/10W 100	1	
R7669	ERJ3GEYJ472V	1/10W 4.7K	1	
R10101	ERJ3GEYJ104V	1/10W 100K	1	
R10102	ERJ6GEYJ104V	1/8W 100K	1	
R10103	ERJ3GEYJ103V	1/10W 10K	1	
R10104	ERJ3GEYJ103V	1/10W 10K	1	
R11201	ERG1SJ561E	1W 560	1	
R11202	ERG1SJ563E	1W 56K	1	
R11203	ERG1SJ563E	1W 56K	1	
R11204	ERJ6GEYJ680V	1/8W 68	1	
R11205	ERJ6GEYJ680V	1/8W 68	1	
R11206	ERJ6GEYJ680V	1/8W 68	1	
R11207	ERJ6GEYJ392V	1/8W 3.9K	1	
R11208	ERJ6GEYJ103V	1/8W 10K	1	
R11209	ERJ6GEYJ562V	1/8W 5.6K	1	
R11210	ERJ6GEYJ562V	1/8W 5.6K	1	
R11211	ERJ6GEYJ123V	1/8W 12K	1	
R11212	ERJ6GEYJ222V	1/8W 2.2K	1	
R11213	ERX2SJR22E	2W 22	1	
R11214	ERDS2TJ471T	1/4W 470	1	
R11301	ERG1SJ222E	1W 2.2K	1	
R11304	ERJ6GEYJ120V	1/8W 12	1	
R11305	ERJ6GEYJ120V	1/8W 12	1	
R11306	ERJ6GEYJ622V	1/8W 6.2K	1	
R11307	ERJ6GEYJ103V	1/8W 10K	1	
R11308	ERJ6GEYJ622V	1/8W 6.2K	1	
R11309	ERJ6GEYJ562V	1/8W 5.6K	1	
R11310	ERJ6GEYJ223V	1/8W 22K	1	
R11311	ERJ6GEY0R00V	1/8W 0	1	
R11312	ERX2SJR27E	2W 0.27	1	
R11313	ERX2SJR22E	2W 22	1	
R11315	ERJ6GEY0R00V	1/8W 0	1	
R12112	ERJ3GEYJ222V	1/10W 2.2K	1	
R12113	ERJ3GEYJ102V	1/10W 1K	1	
R12114	ERJ3GEYJ102V	1/10W 1K	1	
R12115	ERJ3GEYJ103V	1/10W 10K	1	
R12117	ERJ3GEYJ272V	1/10W 2.7K	1	
R12118	ERJ3GEYJ682V	1/10W 6.8K	1	
R12119	ERJ3GEYJ242V	1/10W 2.4K	1	
R12202	ERJ3GEYJ222V	1/10W 2.2K	1	

DMR-XW400EFK

Ref.No.	Part No.	Part Name & Description	Pcs	Remarks	Ref.No.	Part No.	Part Name & Description	Pcs	Remarks
R12203	ERJ3GEYJ102V	1/10W 1K	1		ZA15301	K9ZZ00001279	EARTH PLATE	1	
R12204	ERJ3GEYJ102V	1/10W 1K	1		ZA15302	K9ZZ00001279	EARTH PLATE	1	
R12205	ERJ3GEYJ103V	1/10W 10K	1		ZJ3801	K9ZZ00001279	EARTH PLATE	1	
R12206	ERJ3GEYG152V	1/10W 1.5K	1		ZJ6801	K9ZZ00001279	EARTH PLATE	1	
R12207	ERJ3GEYG822V	1/10W 8.2K	1		ZJ6802	K9ZZ00001279	EARTH PLATE	1	
R12209	ERJ3GEYG242V	1/10W 2.4K	1						
R14201	ERJ3GEYJ513V	1/10W 51K	1						
R14202	D1BFR0270001	1/2W 0.027	1						
R14203	ERJ6RBD153V	1/10W 15K	1		##	VEP77122A	TUNER PACK P.C.B.		(RTL)
R14204	ERJ6RBD911V	1/10W 910	1						
R14205	ERJ6RBD512V	1/10W 5.1K	1		C8001	F1H1A105A028	10V 1U	1	
R14301	ERJ3GEYJ513V	1/10W 51K	1		C8002	F1J0J106A014	6.3V 10U	1	
R14302	D1BFR0270001	1/2W 0.027	1		C8014	F1H1A105A028	10V 1U	1	
R14303	ERJ6RBD153V	1/10W 15K	1		C8015	F1J0J106A014	6.3V 10U	1	
R14304	ERJ6RBD472V	1/10W 4.7K	1		C8016	ECJ1VB1H103K	50V 0.01U	1	
R14305	ERJ6RBD512V	1/10W 5.1K	1		C8017	ECJ1VB1H103K	50V 0.01U	1	
R14401	ERJ3GEYJ333V	1/10W 33K	1		C8018	ECJ1VB1H103K	50V 0.01U	1	
R14402	D1BFR0270001	1/2W 0.027	1		C8019	ECJ1VB1H103K	50V 0.01U	1	
R14403	ERJ6RBD511V	1/10W 510	1		C8023	ECJ1VB1H103K	50V 0.01U	1	
R14404	ERJ6RBD103V	1/10W 10K	1		C8024	ECJ1VB1H103K	50V 0.01U	1	
R14405	ERJ6RBD472V	1/10W 4.7K	1		C8026	ECJ1VB1H103K	50V 0.01U	1	
					C8027	ECJ1VB1H103K	50V 0.01U	1	
T7501	G4D1C0000007	TRANSFORMERS	1		C8028	ECJ1VB1H103K	50V 0.01U	1	
▲ T11201	G4D2A0000301	TRANSFORMERS	1		C8029	ECJ1VB1H103K	50V 0.01U	1	
▲ T11301	G4D2A0000300	TRANSFORMERS	1		C8030	ECJ1VB1H103K	50V 0.01U	1	
					C8031	ECJ1VB1H103K	50V 0.01U	1	
▲ VA11101	ERZV10D471C2	VARISTOR	1		C8032	F2A0J101A825	6.3V 100U	1	
					C8033	ECJ1VB1H103K	50V 0.01U	1	
W300	ERJ3GEY0R00V	1/10W 0	1		C8034	ECJ1VB1H103K	50V 0.01U	1	
W301	ERJ3GEY0R00V	1/10W 0	1		C8035	ECJ1VB1H103K	50V 0.01U	1	
W302	ERJ3GEY0R00V	1/10W 0	1		C8036	ECJ1VC1H220J	50V 22P	1	
W303	ERJ3GEY0R00V	1/10W 0	1		C8037	ECJ1VC1H220J	50V 22P	1	
W304	ERJ3GEY0R00V	1/10W 0	1		C8038	ECJ1VC1H101J	50V 100P	1	
W305	ERJ6GEY0R00V	1/8W 0	1		C8039	ECJ1VB1H103K	50V 0.01U	1	
W306	ERJ3GEY0R00V	1/10W 0	1		C8040	ECJ1VB1C104K	16V 0.1U	1	
W307	ERJ3GEY0R00V	1/10W 0	1		C8041	ECJ1VB1C104K	16V 0.1U	1	
W308	ERJ6GEY0R00V	1/8W 0	1		C8044	ECJ1VC1H120J	50V 12P	1	
W309	ERJ3GEY0R00V	1/10W 0	1		C8045	ECJ1VC1H120J	50V 12P	1	
W310	ERJ6GEY0R00V	1/8W 0	1		C8701	F2A0J470A824	6.3V 47U	1	
W311	ERJ6GEY0R00V	1/8W 0	1		C8707	F2A0J470A824	6.3V 47U	1	
W312	ERJ3GEY0R00V	1/10W 0	1		C8709	ECJ1VB1H222K	50V 2200P	1	
W313	ERJ3GEY0R00V	1/10W 0	1		C8710	ECJ1VB1H103K	50V 0.01U	1	
W314	ERJ6GEY0R00V	1/8W 0	1		C8713	ECJ1VC1H271J	50V 270P	1	
W316	ERJ3GEY0R00V	1/10W 0	1		C8716	ECJ1VB1H103K	50V 0.01U	1	
W317	ERJ3GEY0R00V	1/10W 0	1		C8718	ECJ1VB1C104K	16V 0.1U	1	
W318	ERJ6GEY0R00V	1/8W 0	1		C8719	ECJ1VC1H681J	50V 680P	1	
W319	ERJ6GEY0R00V	1/8W 0	1		C8723	F1H1A105A028	10V 1U	1	
W320	ERJ6GEY0R00V	1/8W 0	1		C8724	F1J0J106A014	6.3V 10U	1	
W321	ERJ6GEY0R00V	1/8W 0	1		C8725	F1H1A105A028	10V 1U	1	
W322	ERJ6GEY0R00V	1/8W 0	1		C8726	F1H1A105A028	10V 1U	1	
W323	ERJ6GEY0R00V	1/8W 0	1						
W324	ERJ3GEY0R00V	1/10W 0	1		IC8001	C0DBEHE00005	IC	1	
W325	ERJ3GEY0R00V	1/10W 0	1		IC8002	C0DBGD00032	IC	1	
W326	ERJ6GEY0R00V	1/8W 0	1		IC8003	C1AB00002710	IC	1	
W327	ERJ6GEY0R00V	1/8W 0	1		IC8702	C0DBEHE00005	IC	1	
W328	ERJ3GEY0R00V	1/10W 0	1		IC8703	C0CBDC000052	IC	1	
W329	ERJ6GEY0R00V	1/8W 0	1						
W330	ERJ6GEY0R00V	1/8W 0	1		K8702	ERJ3GEY0R00V	1/10W 0	1	
W331	ERJ6GEY0R00V	1/8W 0	1						
W332	ERJ6GEY0R00V	1/8W 0	1		L8002	G1CR56JA0020	COIL 56UH	1	
W333	ERJ6GEY0R00V	1/8W 0	1		L8003	G1CR56JA0020	COIL 56UH	1	
W334	ERJ8GEY0R00V	1/4W 0	1		L8702	ERJ3GEY0R00V	1/10W 0	1	
W335	ERJ8GEY0R00V	1/4W 0	1		L8703	ERJ3GEY0R00V	1/10W 0	1	
X7501	H0D100500018	CRYSTAL OSCILLATOR	1		LB8001	J0JHC0000045	COIL	1	
X7502	H0A327200108	CRYSTAL OSCILLATOR	1		LB8701	J0JHC0000032	COIL	1	
					LB8702	J0JHC0000032	COIL	1	
ZA11101	EYF52BCY	FUSE HOLDER	1		LB8703	J0JHC0000032	COIL	1	
ZA11102	EYF52BCY	FUSE HOLDER	1						
ZA11201	VSC5603-A	HEAT SINK	1		PS8001	K1KY11BA0099	CONNECTOR(11P)	1	
ZA11202	XYN3+J8FJ	SCREW	1		PS8002	K1KY13BA0099	CONNECTOR(13P)	1	
ZA11301	VSC5839-A	HEAT SINK	1						
ZA11302	XYN3+J8FJ	SCREW	1		R8001	ERJ3RBD103V	1/16W 10K	1	
ZA13101	VSC5606-A	HEAT SINK	1		R8002	ERJ3RBD332V	1/16W 3.3K	1	
ZA13102	XYN3+J8FJ	SCREW	1		R8003	ERJ3RBD122V	1/16W 1.2K	1	
ZA13201	VSC5603-A	HEAT SINK	1		R8004	ERJ3GEYJ330V	1/10W 33	1	
ZA13202	XYN3+J8FJ	SCREW	1		R8005	ERJ3GEYJ330V	1/10W 33	1	

DMR-XW400EFK

Ref.No.	Part No.	Part Name & Description	Pcs	Remarks
R8006	ERJ3GEYJ330V	1/10W 33	1	
R8014	ERJ3GEYJ330V	1/10W 33	1	
R8015	ERJ3GEYJ101V	1/10W 100	1	
R8016	ERJ3GEY0R00V	1/10W 0	1	
R8017	ERJ3GEYJ101V	1/10W 100	1	
R8018	ERJ3GEY0R00V	1/10W 0	1	
R8019	ERJ3GEYJ473V	1/10W 47K	1	
R8020	ERJ3GEYJ473V	1/10W 47K	1	
R8021	ERJ3GEYJ103V	1/10W 10K	1	
R8022	ERJ3GEYJ472V	1/10W 4.7K	1	
R8023	ERJ3GEYJ101V	1/10W 100	1	
R8024	ERJ3GEYJ472V	1/10W 4.7K	1	
R8025	ERJ3GEYJ101V	1/10W 100	1	
R8026	ERJ3GEYJ102V	1/10W 1K	1	
R8027	ERJ3GEYJ101V	1/10W 100	1	
R8028	ERJ3GEYJ473V	1/10W 47K	1	
R8030	ERJ3GEYJ473V	1/10W 47K	1	
R8034	ERJ3GEY0R00V	1/10W 0	1	
R8711	ERJ3RBD103V	1/16W 10K	1	
R8712	ERJ3RBD392V	1/16W 3.9K	1	
R8713	ERJ3RBD273V	1/16W 27K	1	
R8714	ERJ3GEYJ471V	1/10W 470	1	
R8715	ERJ3GEYJ471V	1/10W 470	1	
TU8702	ENV77M05D8F	TV TUNER	1	
X8001	H0J204500009	CRYSTAL OSCILLATOR	1	
ZA8701	RMA2019	GND ANGLE	1	
##	VEP73164D	AV IO P.C.B.	(RTL)	
C3001	ECJ1VB1C104K	16V 0.1U	1	
C3002	ECJ1VB1H103K	50V 0.01U	1	
C3003	ECJ1VB1C104K	16V 0.1U	1	
C3004	ECJ1VB1C104K	16V 0.1U	1	
C3005	ECJ1VB0J105K	6.3V 1U	1	
C3006	ECJ1VB0J105K	6.3V 1U	1	
C3007	ECJ1VB0J105K	6.3V 1U	1	
C3008	ECJ1VB0J105K	6.3V 1U	1	
C3009	F2A1A471A869	10V 470U	1	
C3010	F2A1A101A868	10V 100U	1	
C3011	ECJ1VB1C104K	16V 0.1U	1	
C3012	F2A1A471A869	10V 470U	1	
C3013	F2A1A101A868	10V 100U	1	
C3015	ECJ1VB1C104K	16V 0.1U	1	
C3016	ECJ1VB1C104K	16V 0.1U	1	
C3017	ECJ1VB1C104K	16V 0.1U	1	
C3018	ECJ1VB1C104K	16V 0.1U	1	
C3019	ECJ1VB1C104K	16V 0.1U	1	
C3020	ECJ1VB1C104K	16V 0.1U	1	
C3021	ECJ1VB1C104K	16V 0.1U	1	
C3022	ECJ1VB1C104K	16V 0.1U	1	
C3023	ECJ1VC1H330J	50V 33P	1	
C3024	ECJ1VB1C104K	16V 0.1U	1	
C3025	ECJ1VB1C104K	16V 0.1U	1	
C3026	ECJ1VB0J105K	6.3V 1U	1	
C3027	ECJ1VB1C104K	16V 0.1U	1	
C3028	ECJ1VB0J105K	6.3V 1U	1	
C3029	ECJ1VB1C104K	16V 0.1U	1	
C3030	ECJ1VB0J105K	6.3V 1U	1	
C3031	ECJ1VB1H103K	50V 0.01U	1	
C3032	F2A0J101A167	6.3V 100U	1	
C3033	ECJ1VB1H103K	50V 0.01U	1	
C3034	ECJ1VB1H103K	50V 0.01U	1	
C3035	F2A0J101A167	6.3V 100U	1	
C3036	ECJ1VB0J105K	6.3V 1U	1	
C3037	ECJ1VB0J105K	6.3V 1U	1	
C3038	ECJ1VB1C104K	16V 0.1U	1	
C3039	ECJ1VB1C104K	16V 0.1U	1	
C3040	ECJ1VB0J105K	6.3V 1U	1	
C3041	ECJ1VB0J105K	6.3V 1U	1	
C3042	F2A0J470A831	6.3V 47U	1	
C3043	ECJ1VB1H472K	50V 4700P	1	
C3044	F2A0J470A831	6.3V 47U	1	
C3045	F2A0J102A833	6.3V 1000U	1	

Ref.No.	Part No.	Part Name & Description	Pcs	Remarks
C3046	F2A0J331A832	6.3V 330P	1	
C3047	F2A0J331A832	6.3V 330P	1	
C3048	ECJ1VB1C104K	16V 0.1U	1	
C3049	ECJ1VB1C104K	16V 0.1U	1	
C3050	ECJ1VB1C104K	16V 0.1U	1	
C3057	ECJ1VC1H471J	50V 470P	1	
C3058	ECJ1VC1H471J	50V 470P	1	
C3059	ECJ1VC1H471J	50V 470P	1	
C3060	ECJ1VC1H471J	50V 470P	1	
C3064	ECJ1VB1C104K	16V 0.1U	1	
C3065	ECJ1VB0J105K	6.3V 1U	1	
C3910	F2A1V100A534	35V 10U	1	
C3911	F2A1V100A534	35V 10U	1	
C3914	F2A1V100A534	35V 10U	1	
C3915	F2A1V100A534	35V 10U	1	
C3916	F2A1V100A534	35V 10U	1	
C3917	F2A1V100A534	35V 10U	1	
C3918	F2A1V100A534	35V 10U	1	
C3919	F2A1V100A534	35V 10U	1	
C3928	F2A1V100A534	35V 10U	1	
C3929	F2A1V100A534	35V 10U	1	
C3951	ECJ1VC1H470J	50V 47P	1	
C3952	ECJ1VC1H470J	50V 47P	1	
C3953	ECJ1VC1H471J	50V 470P	1	
C3954	ECJ1VC1H471J	50V 470P	1	
C3955	ECJ1VC1H101J	50V 100P	1	
C3956	ECJ1VC1H101J	50V 100P	1	
C3957	ECJ1VC1H471J	50V 470P	1	
C3958	ECJ1VC1H471J	50V 470P	1	
C3959	ECJ1VC1H470J	50V 47P	1	
C3960	ECJ1VC1H470J	50V 47P	1	
C3961	ECJ1VC1H101J	50V 100P	1	
C3962	ECJ1VC1H101J	50V 100P	1	
C4001	F2A1C221A701	16V 220U	1	
C4003	ECJ1VB1C104K	16V 0.1U	1	
C4005	F2A1H100A236	50V 10U	1	
C4006	F2A1H100A236	50V 10U	1	
C4007	F2A1C470B298	16V 47U	1	
C4008	F2A1E1010067	25V 100U	1	
C4009	F2A1C470B298	16V 47U	1	
C4011	ECJ1VC1H102J	50V 1000P	1	
C4012	F2A1E2210050	25V 220U	1	
C4015	F2A1C470B298	16V 47U	1	
C4017	F2A1C101A637	16V 100U	1	
C4019	F2A1C101A637	16V 100U	1	
C4021	F2A1C101A637	16V 100U	1	
C4024	F2A1E1010067	25V 100U	1	
C4027	F2A1H100A236	50V 10U	1	
C4028	F2A1H100A236	50V 10U	1	
C4033	F2A1C470B174	16V 47U	1	
C4034	F2A1C470B174	16V 47U	1	
C4056	F2A1C4710055	16V 470U	1	
C4057	ECJ2VC1H330J	50V 33P	1	
C4059	F2A1C4710055	16V 470U	1	
C4060	ECJ2VC1H330J	50V 33P	1	
C4061	ECJ1VF1C104Z	16V 0.1U	1	
C4063	F2A1C470B174	16V 47U	1	
C4064	F2A1C470B174	16V 47U	1	
C4065	ECJ1VF1C104Z	16V 0.1U	1	
C4067	F2A1E2210050	25V 220U	1	
C4072	F2A1C221A637	16V 220U	1	
C4082	ECJ2VC1H102J	50V 1000P	1	
C4083	ECJ2VC1H102J	50V 1000P	1	
C4092	F2A1C471A637	16V 470U	1	
C7401	F1J0J106A014	6.3V 10U	1	
C7406	F1H1A105A028	10V 1U	1	
C7412	F1H1A105A028	10V 1U	1	
C7413	F1J0J106A014	6.3V 10U	1	
C7801	F2A0J470A824	6.3V 47U	1	
C7802	ECJ1VB1H103K	50V 0.01U	1	
C7803	F2A1H1R0B032	50V 1U	1	
C7804	ECJ1VB1H103K	50V 0.01U	1	
C7805	ECJ1VB1H102K	50V 1000P	1	
C7809	F2A0J470A824	6.3V 47U	1	
C7810	ECJ1VB1H103K	50V 0.01U	1	
C7811	F2A0J470A824	6.3V 47U	1	
C7812	ECJ1VB1H103K	50V 0.01U	1	

DMR-XW400EFK

Ref.No.	Part No.	Part Name & Description	Pcs	Remarks	Ref.No.	Part No.	Part Name & Description	Pcs	Remarks
C7813	ECJ1VB1H222K	50V 2200P	1		R3003	ERJ3RBD363V	1/16W 36K	1	
C7817	ECJ1VB1C104K	16V 0.1U	1		R3004	ERJ3RBD822V	1/16W 8.2K	1	
C7820	ECJ1VB1H222K	50V 2200P	1		R3005	ERJ3GEYJ221V	1/10W 220	1	
C7821	ECJ1VC1H271J	50V 270P	1		R3006	ERJ3GEYJ562V	1/10W 5.6K	1	
C7823	ECJ1VC1H220J	50V 22P	1		R3007	ERJ3GEYJ330V	1/10W 33	1	
C7824	ECJ1VC1H220J	50V 22P	1		R3008	ERJ3GEYJ221V	1/10W 220	1	
C7826	ECJ1VB1H222K	50V 2200P	1		R3009	ERJ3GEYF750V	1/10W 75	1	
C7831	F1H1A105A028	10V 1U	1		R3010	ERJ3GEYF750V	1/10W 75	1	
C7832	F1J0J106A014	6.3V 10U	1		R3011	ERJ3GEYF750V	1/10W 75	1	
					R3012	ERJ3GEYJ103V	1/10W 10K	1	
D3901	MA2C165001VT	DIODE	1		R3013	ERJ3GEYJ103V	1/10W 10K	1	
D4005	MA3Z142D0LG	DIODE	1		R3014	ERJ3GEYJ103V	1/10W 10K	1	
D4006	MA3Z142D0LG	DIODE	1		R3037	ERJ3GEYJ104V	1/10W 100K	1	
D7801	B0BA03000015	DIODE	1		R3054	ERJ3GEYJ750V	1/10W 75	1	
					R3055	ERJ3GEYJ750V	1/10W 75	1	
IC3001	C1AB00002379	IC	1		R3056	ERJ3GEYJ750V	1/10W 75	1	
IC3002	C0ZBZ0001608	IC	1		R3057	ERJ3GEYJ750V	1/10W 75	1	
IC3003	C1AB00002557	IC	1		R3058	ERJ3GEYJ750V	1/10W 75	1	
IC3004	C0DBEHE00005	IC	1		R3059	ERJ3GEYJ750V	1/10W 75	1	
IC4001	C0CBCYG00004	IC	1		R3905	ERJ3GEYJ153V	1/10W 15K	1	
IC4002	C0CBCYG00004	IC	1		R3906	ERJ3GEYJ223V	1/10W 22K	1	
IC4009	C0ABBB000216	IC	1		R3912	ERJ3GEYJ103V	1/10W 10K	1	
IC4012	C0ABBB000230	IC	1		R3913	ERJ3GEYJ103V	1/10W 10K	1	
IC7402	C0DBEHE00005	IC	1		R3914	ERJ3GEYJ471V	1/10W 470	1	
IC7803	C0DBEHE00005	IC	1		R3918	ERJ3GEYJ471V	1/10W 470	1	
					R3919	ERJ3GEYF750V	1/10W 75	1	
JK3001	K2HA312B0006	JACK,AV IN/OUT	1		R3920	ERJ3GEYF750V	1/10W 75	1	
JK3002	K1CB211B0001	JACK,VIDEO OUT	1		R3921	ERJ3GEYF750V	1/10W 75	1	
JK3901	K1FB242B0009	JACK,AV1/2	1		R3922	ERJ3GEYJ471V	1/10W 470	1	
					R3923	ERJ3GEYJ471V	1/10W 470	1	
K3007	ERJ3GEY0R00V	1/10W 0	1		R3924	ERDS2TJ471T	1/4W 470	1	
K3010	ERJ3GEY0R00V	1/10W 0	1		R3925	ERJ3GEYF750V	1/10W 75	1	
K7303	ERJ3GEY0R00V	1/10W 0	1		R3926	ERJ3GEYF750V	1/10W 75	1	
K7304	ERJ3GEY0R00V	1/10W 0	1		R3927	ERJ3GEYF750V	1/10W 75	1	
K7305	ERJ3GEY0R00V	1/10W 0	1		R3928	ERJ3GEYJ750V	1/10W 75	1	
K7801	ERJ3GEY0R00V	1/10W 0	1		R3929	ERJ3GEYJ750V	1/10W 75	1	
K7802	ERJ3GEY0R00V	1/10W 0	1		R3930	ERJ3GEYJ750V	1/10W 75	1	
					R3932	ERJ3GEYJ750V	1/10W 75	1	
L3001	G0C220JA0019	COIL 22UH	1		R3934	ERJ3GEYJ750V	1/10W 75	1	
L7802	ERJ3GEY0R00V	1/10W 0	1		R3935	ERJ3GEYJ750V	1/10W 75	1	
L7803	ERJ3GEY0R00V	1/10W 0	1		R3975	ERJ3GEYJ101V	1/10W 100	1	
					R3976	ERJ3GEYJ101V	1/10W 100	1	
LB3001	J0JGC0000020	COIL	1		R3983	ERJ3GEYJ103V	1/10W 10K	1	
LB3002	J0JGC0000020	COIL	1		R3984	ERJ3GEYJ103V	1/10W 10K	1	
LB3003	J0JGC0000020	COIL	1		R3987	ERJ3GEYJ473V	1/10W 47K	1	
LB3005	J0JBC0000011	COIL	1		R3988	ERJ3GEYJ102V	1/10W 1K	1	
LB3006	J0JGC0000020	COIL	1		R3989	ERJ3GEYJ102V	1/10W 1K	1	
LB3007	J0JBC0000011	COIL	1		R3990	ERJ3GEYJ473V	1/10W 47K	1	
LB3008	J0JGC0000020	COIL	1		R3991	ERJ3GEYJ473V	1/10W 47K	1	
LB3907	J0JBC0000011	COIL	1		R3992	ERJ3GEYJ102V	1/10W 1K	1	
LB3908	J0JBC0000011	COIL	1		R3993	ERJ3GEYJ102V	1/10W 1K	1	
LB3911	J0JGC0000020	COIL	1		R3994	ERJ3GEYJ473V	1/10W 47K	1	
LB3912	J0JBC0000011	COIL	1		R4001	ERJ3RBD202V	1/16W 2K	1	
LB3913	J0JBC0000011	COIL	1		R4002	ERJ3RED300V	1/16W 30	1	
LB4001	J0JEC0000008	COIL	1		R4003	ERJ3RBD682V	1/16W 6.8K	1	
LB4350	J0JGC0000020	COIL	1		R4004	D0HB113ZA002	1/10W 11K	1	
LB7801	J0JHC0000032	COIL	1		R4005	D0HB123ZA002	1/10W 10K	1	
LB7802	J0JHC0000032	COIL	1		R4006	ERJ3GEYJ823V	1/10W 82K	1	
LB7803	J0JHC0000032	COIL	1		R4007	ERJ3GEYJ823V	1/10W 82K	1	
LB7804	J0JCC0000103	COIL	1		R4008	ERJ3GEYJ823V	1/10W 82K	1	
LB7805	J0JCC0000103	COIL	1		R4009	ERJ3GEYJ102V	1/10W 1K	1	
LB7807	J0JCC0000103	COIL	1		R4012	ERJ3GEYJ102V	1/10W 1K	1	
					R4013	ERJ3GEYJ823V	1/10W 82K	1	
P3001	K1KA04AA0193	CONNECTOR(4P)	1		R4014	ERJ3GEYJ102V	1/10W 1K	1	
P3002	K1KA07AA0193	CONNECTOR(7P)	1		R4015	ERJ3GEYJ102V	1/10W 1K	1	
P3003	K1KY23AA0606	CONNECTOR(23P)	1		R4046	D0HB912ZA002	1/10W 9.1K	1	
P3004	K1KY09AA0606	CONNECTOR(9P)	1		R4047	D0HB912ZA002	1/10W 9.1K	1	
P3005	K1KY23AA0606	CONNECTOR(23P)	1		R4055	D0HB153ZA002	1/10W 15K	1	
P4901	K1KA05AA0031	CONNECTOR(5P)	1		R4057	D0HB153ZA002	1/10W 15K	1	
					R4066	D0HB103ZA002	1/10W 10K	1	
Q4006	2SD132800L	TRANSISTOR	1		R4067	D0HB103ZA002	1/10W 10K	1	
Q4007	2SD132800L	TRANSISTOR	1		R4071	ERJ3GEYJ473V	1/10W 47K	1	
Q4008	2SD132800L	TRANSISTOR	1		R4074	ERJ3GEYJ473V	1/10W 47K	1	
Q4009	2SD132800L	TRANSISTOR	1		R4076	ERJ3GEYJ821V	1/10W 820	1	
					R4077	ERJ3GEYJ101V	1/10W 100	1	
R3001	ERJ3GEYJ104V	1/10W 100K	1		R4078	ERJ3GEYJ272V	1/10W 2.7K	1	
R3002	ERJ3GEYJ104V	1/10W 100K	1		R4079	ERJ3GEYJ272V	1/10W 2.7K	1	



DMR-XW400EFK

Ref.No.	Part No.	Part Name & Description	Pcs	Remarks
R4080	ERJ3GEYJ101V	1/10W 100	1	
R4081	ERJ3GEYJ821V	1/10W 820	1	
R4088	ERJ3GEYJ272V	1/10W 2.7K	1	
R4089	ERJ3GEYJ272V	1/10W 2.7K	1	
R4090	ERJ3GEYJ121V	1/10W 120	1	
R4093	ERJ3GEYJ121V	1/10W 120	1	
R4094	ERJ3GEYJ223V	1/10W 22K	1	
R7401	ERJ3RBD273V	1/16W 27K	1	
R7402	ERJ3RBD392V	1/16W 3.9K	1	
R7403	ERJ3RBD103V	1/16W 10K	1	
R7404	ERJ3RBD273V	1/16W 27K	1	
R7405	ERJ3RBD392V	1/16W 3.9K	1	
R7406	ERJ3RBD103V	1/16W 10K	1	
R7802	ERDS2TJ102T	1/4W 1K	1	
R7804	ERJ3GEYJ471V	1/10W 470	1	
R7805	ERJ3GEYJ471V	1/10W 470	1	
R7807	ERJ3RBD103V	1/16W 10K	1	
R7808	ERJ3RBD392V	1/16W 3.9K	1	
R7817	ERJ3RBD273V	1/16W 27K	1	
R7841	ERJ3GEYJ472V	1/10W 4.7K	1	
TU7801	ENV77R02D8F	TV TUNER	1	
TU7802	ENPE7B2F	RF IN/OUT	1	
ZJ7423	K9ZZ00001279	EARTH PLATE	1	
ZJ7501	K9ZZ00001279	EARTH PLATE	1	
##	VEP70226A	FRONT(L)P.C.B.		(RTL)
P7001	K1KA03AA0301	CONNECTOR(3P)	1	
S7001	EVQ11A04M	SWITCH,POWER	1	
##	VEP70227D	FRONT(R)P.C.B.		(RTL)
C7202	ECJ1VF1A105Z	10V 1U	1	
C7204	ECJ1VB1C104K	16V 0.1U	1	
C7205	ECJ1VB1C104K	16V 0.1U	1	
C7206	ECJ1VF1H104Z	50V 0.1U	1	
D7205	B3AAA0000985	LED	1	
D7206	B3AAA0000985	LED	1	
DP7201	A2BD00000186	FL DISPLAY	1	
IC7201	C0HBB0000057	IC	1	
IR7201	B3RAD0000150	REMOTE SENSOR	1	
LB7201	J0JCC0000103	COIL	1	
LB7202	J0JCC0000103	COIL	1	
P7201	K1KA14B00113	CONNECTOR(14P)	1	
P7202	K1KA03AA0180	CONNECTOR(3P)	1	
Q7201	B1ABDF000033	TRANSISTOR	1	
Q7203	B1ABDF000033	TRANSISTOR	1	
Q7204	B1ABDF000026	TRANSISTOR	1	
R7201	ERJ3GEYJ562V	1/10W 5.6K	1	
R7202	ERJ3GEYJ272V	1/10W 2.7K	1	
R7203	ERJ3GEYJ683V	1/10W 68K	1	
R7204	ERJ3GEYJ332V	1/10W 3.3K	1	
R7205	ERJ3GEYJ473V	1/10W 47K	1	
R7206	ERJ6GEYJ221V	1/8W 220	1	
R7211	ERJ3GEYJ330V	1/10W 33	1	
R7212	ERJ3GEYJ473V	1/10W 47K	1	
R7213	ERJ6GEYJ221V	1/8W 220	1	
R7214	ERJ3GEYJ332V	1/10W 3.3K	1	
R7215	ERJ3GEYJ104V	1/10W 100K	1	
R7216	ERJ3GEYJ272V	1/10W 2.7K	1	
R7217	ERJ3GEYJ562V	1/10W 5.6K	1	
S7201	EVQ11A04M	SWITCH,OPEN/CLOSE	1	
S7202	EVQ11A04M	SWITCH,PLAY	1	

Ref.No.	Part No.	Part Name & Description	Pcs	Remarks
S7203	EVQ11A04M	SWITCH,CH UP	1	
S7204	EVQ11A04M	SWITCH,STOP	1	
S7205	EVQ11A04M	SWITCH,CH DOWN	1	
S7206	EVQ11A04M	SWITCH,REC	1	
W100	ERJ6GEY0R00V	1/8W 0	1	
W101	ERJ6GEY0R00V	1/8W 0	1	
W102	ERJ6GEY0R00V	1/8W 0	1	
W103	ERJ6GEY0R00V	1/8W 0	1	
W104	ERJ3GEY0R00V	1/10W 0	1	
W105	ERJ6GEY0R00V	1/8W 0	1	
W106	ERJ3GEY0R00V	1/10W 0	1	
W107	ERJ6GEY0R00V	1/8W 0	1	
W108	ERJ3GEY0R00V	1/10W 0	1	
W109	ERJ3GEY0R00V	1/10W 0	1	
W110	ERJ3GEY0R00V	1/10W 0	1	
ZB7201	RMN0896	FL HOLDER	1	
##	M1			
1	VEE1E26	DVD POWER CABLE U	1	
2	VEP74116B	OPT CORE P.C.B.	1	(RTL)
3	RFKB71148D	POWER TIMER P.C.B.	1	(RTL)
3-1	RMX0415	CORD CLUMP	1	
3-2	VEE1E45	USB CABLE	1	
3-3	VEE1E46	TIMER AVCNT CABLE	1	
3-4	VEE1E47	FRONT AUDIO CABLE	1	
4	VEP77122A	TUNER PACK P.C.B.	1	(RTL)
5	VEP73164D	AV IO P.C.B.	1	(RTL)
5-1	K2KA29A00015	D TUNER CABLE	1	
5-2	K2KA29A00016	AVIO TUNER CABLE	1	
5-3	RMC0625	TUNER END	1	
6	RFKB79185D	DIGITAL P.C.B.	1	(RTL)
7	VWJ1961	FFC(40P)	1	
8	VEE1E60	SATA POWER CABLE	1	
9	VEE1E17	SATA SIGNAL CABLE	1	
14	RKA0201-K	CUSHION C	1	
15	RKA0201-K	CUSHION C	1	
16	RKA0137-K	FOOT RUBBER	1	
17	RKA0137-K	FOOT RUBBER	1	
18	RKA0137-K	FOOT RUBBER	1	
19	RKA0137-K	FOOT RUBBER	1	
20	L6FAJDAE0007	DC FAN MOTOR	1	
△ 21	RGR0379F-C1	REAR PANEL	1	
22	RMN0203	PCB HOLDER	1	
23	RSC0824	RADIATOR SHEET	1	
24	RMZ0926	BARRIER A	1	
25	RFKV0154HDK	HDD(500GB)	1	
26	RMA2115A	HDD BRACKET	1	
27	RMG0739-K	FLOATING RUBBER	1	
28	RMG0739-K	FLOATING RUBBER	1	
29	RMG0739-K	FLOATING RUBBER	1	
30	RMG0739-K	FLOATING RUBBER	1	
31	RMG0748-K	HDD CUSHION	1	
32	RMG0748-K	HDD CUSHION	1	
33	RMG0748-K	HDD CUSHION	1	
34	RMG0748-K	HDD CUSHION	1	
35	RMX0413	DRIVE SPACER B	1	
36	RMX0413	DRIVE SPACER B	1	
37	RMX0413	DRIVE SPACER B	1	
39	RMV0335-J	CHASSIS SHEET	1	
△ 49	RKM0585-K2	TOP CASE	1	
50	VXY2012	DVD DRIVE	1	(RTL)
51	RHD30111-31	SCREW	1	
52	RHD30111-31	SCREW	1	
53	RHD30111-31	SCREW	1	
54	RHD30111-31	SCREW	1	
55	RHD30111-31	SCREW	1	
56	RHD30111-31	SCREW	1	
57	RHD30111-31	SCREW	1	
58	RHD30111-31	SCREW	1	
59	RHD30111-31	SCREW	1	
60	RHD30111-31	SCREW	1	
61	RHD30111-31	SCREW	1	
62	RHD30111-31	SCREW	1	

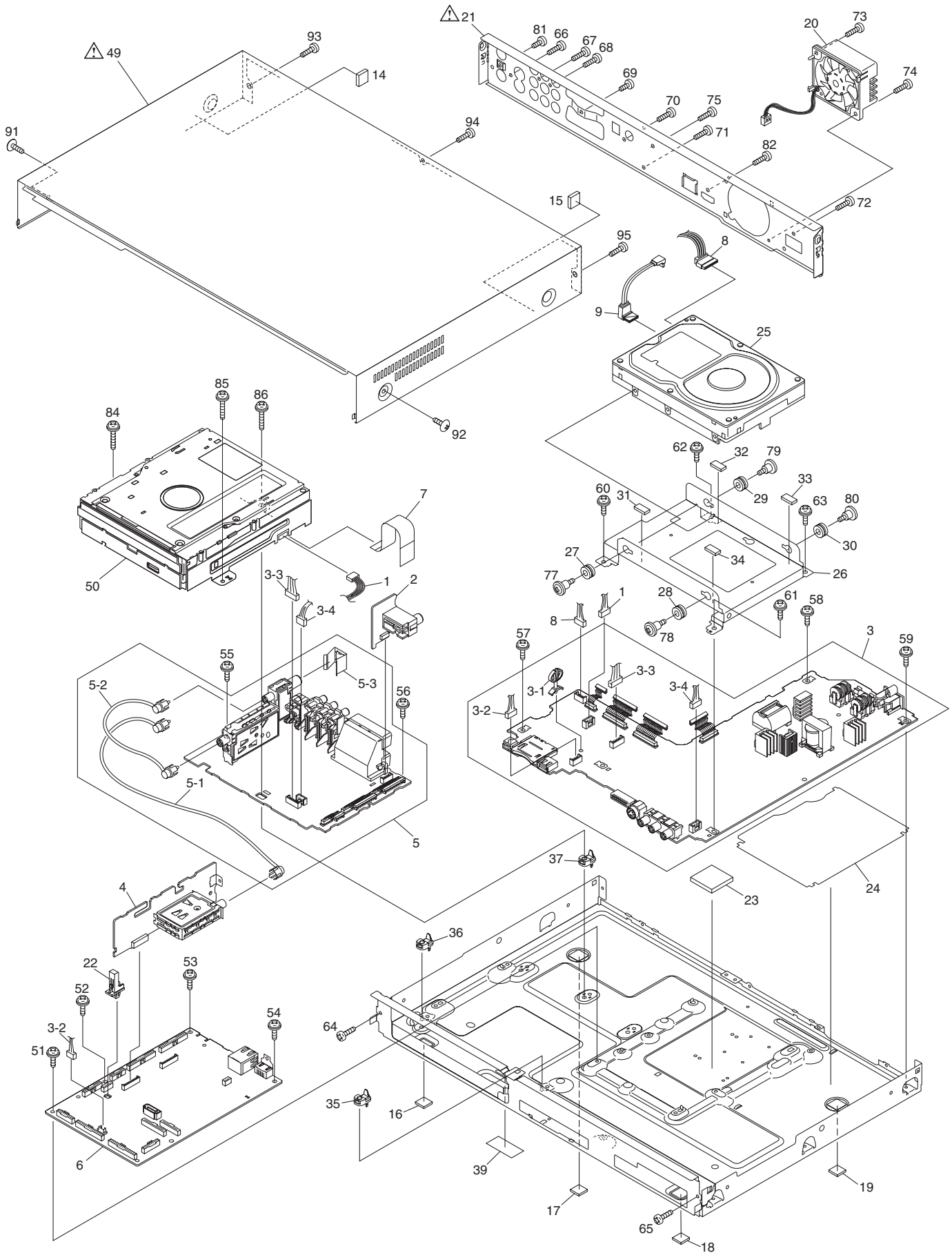


DMR-XW400EFK

Ref.No.	Part No.	Part Name & Description	Pcs	Remarks	Ref.No.	Part No.	Part Name & Description	Pcs	Remarks
63	RHD30111-31	SCREW	1		131	VMC1992	CARTRIDGE SPRING	1	
64	RHD30119-L	SCREW	1		132	VMC1992	CARTRIDGE SPRING	1	
65	RHD30119-L	SCREW	1		133	VMD5412-2	CLAMPER(A)	1	
66	RHD30119-L	SCREW	1		134	JSMC0048	CLAMP MAGNET	1	
67	RHD30119-L	SCREW	1		135	VMD4768-C	CLAMPER(B)	1	
68	RHD30119-L	SCREW	1		136	VMZ3676	CLAMP COVER	1	
69	RHD30119-L	SCREW	1		△ 137	VQL1J70-J	LASER CAUTION LABEL	1	
70	RHD30119-L	SCREW	1		138	XTV26+10GFJ	SCREW	1	
71	RHD30119-L	SCREW	1		139	XTV26+10GFJ	SCREW	1	
72	RHD30119-L	SCREW	1		140	XTV26+10GFJ	SCREW	1	
73	RHD30119-L	SCREW	1		141	XTV26+10GFJ	SCREW	1	
74	RHD30119-L	SCREW	1		142	VMD5437-1	RAIL	1	
75	RHD30119-L	SCREW	1						
77	RHD34001	SCREW	1						
78	RHD34001	SCREW	1		##	M4			
79	RHD34001	SCREW	1						
80	RHD34001	SCREW	1		A1	K1TWACC00001	RF COAXIAL CABLE	1	
81	XSN3+4FJ	SCREW	1		△ A2	K2CR2DA00004	AC CORD	1	
82	XSN3+4FJ	SCREW	1		A3	K2KA2BA00003	AV CORD	1	
84	RHD30104-K	SCREW	1		A4	XZB15X30A04Z	POLYETHYLENE BAG	1	
85	RHD30104-K	SCREW	1		A5	RQCA1828	CAUTION SHEET(1)	1	
86	RHD30104-K	SCREW	1		A6	RPF00009	POLYETHYLENE BAG	1	
91	RHD30113-1K	SCREW	1		△ A8	RQT9249-L	OPERATING INSTRUCTIONS	1	
92	RHD30113-1K	SCREW	1		△ A8	RQT9250-E	OPERATING INSTRUCTIONS	1	
93	VHD0690-1	SCREW	1		A9	N2QAYB000293	REMOTE CONTROLLER	1	
94	VHD0690-1	SCREW	1		A9-1	100300037800	BATTERY COVER	1	
95	VHD0690-1	SCREW	1						
##	M2								
40	RYP1433E-K1	FRONT PANEL U1	1						
41	RMX0430	PC SPACER	1						
42	RGU2575A-K2	POWER BUTTON	1						
43	RGU2577A-K	OPEN BUTTON	1						
46	VEP70226A	FRONT(L)P.C.B.	1	(RTL)					
47	VEP70227D	FRONT(R)P.C.B.	1	(RTL)					
47-1	VEE1E42-1	FRONT CABLE U	1						
76	RGL0714-Q	REFLECTOR CASE	1						
87	RHD26045	SCREW	1						
88	RHD26045	SCREW	1						
89	RHD26045	SCREW	1						
90	RHD26045	SCREW	1						
##	VXY2012								
101	VMD5402-2	MECHA CHASSIS	1						
102	VMG1719	DAMPER	1						
103	VMG1719	DAMPER	1						
104	VMG1719	DAMPER	1						
105	VMG1719	DAMPER	1						
106	VMC1989	TRAVERSE SPRING(L)	1						
107	VMC1990	TRAVERSE SPRING(R)	1						
108	VXA8374	LOADING MOTOR ASS'Y	1						
109	VHD1653-1	SCREW	1						
110	VDG1681	MIDDLE GEAR	1						
111	VDG1680	DRIVE GEAR	1						
112	VDG1682	PULLEY GEAR	1						
113	VMG1720	BELT	1						
114	VMD5403-2	SLIDE CAM	1						
115	VMD5404	SW LEVER(L)	1						
116	VMD5405	SW LEVER(R)	1						
117	VMB4003	SW LEVER SPRING	1						
118	VMC1988-1	GND PLATE	1						
119	VMP8666-2	FRAME	1						
120	VHD1825-A	DAMPER SCREW	1						
121	VHD1825-A	DAMPER SCREW	1						
122	VHD1825-A	DAMPER SCREW	1						
123	VHD1825-A	DAMPER SCREW	1						
124	VMD5406-2	TRAY	1						
125	VMD5407-1	GUIDE(L)	1						
126	VMD5408-2	GUIDE(R)	1						
127	VMD5409	OPENER	1						
128	VMD4942-1C	OPENER ROLLER	1						
129	VMAOU35-1	UPPER BASE	1						
130	VMAOU88	BACK YORK	1						

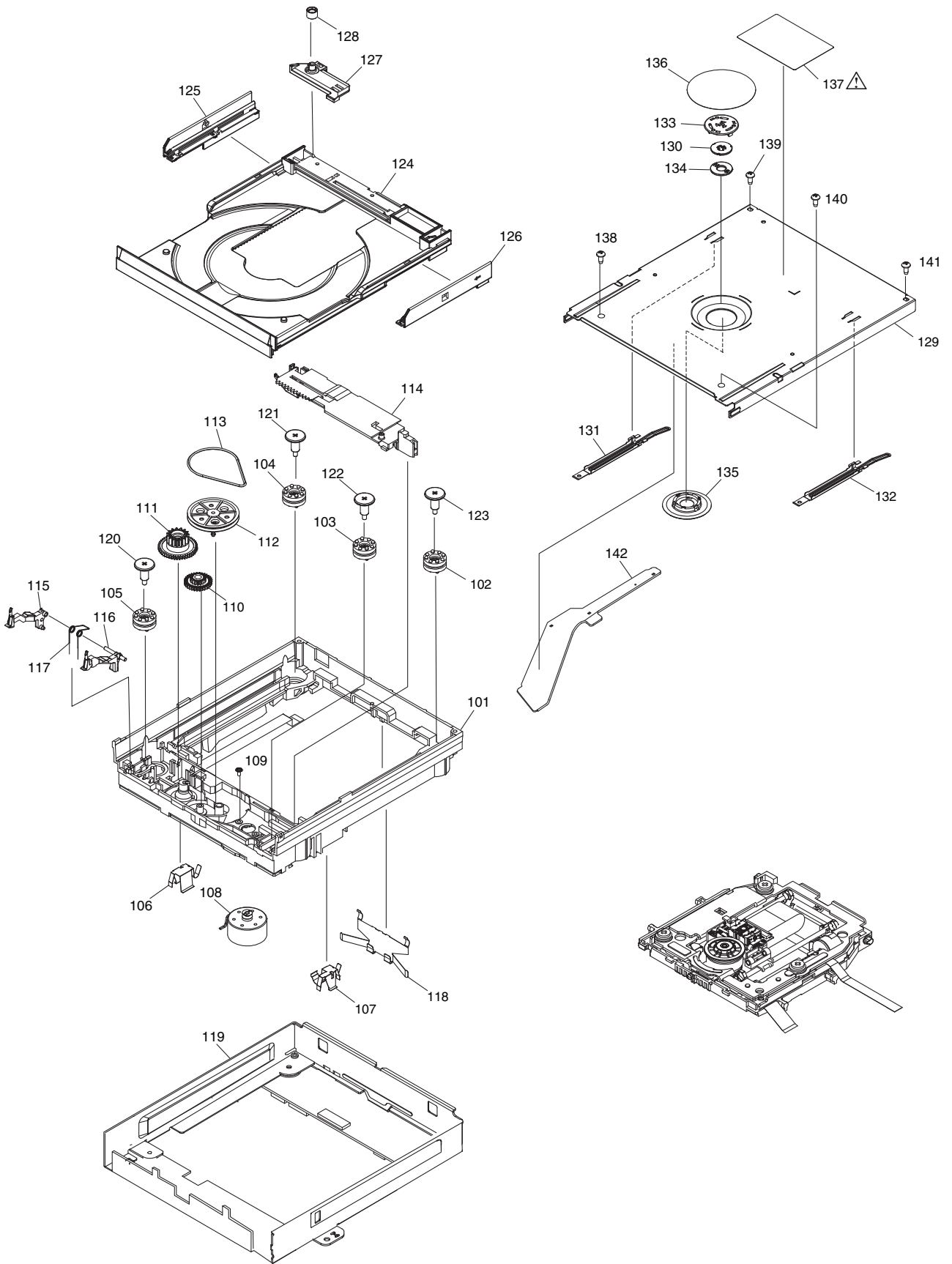
# S8. Exploded View

## S8.1. Frame and Casing Section (1)





### S8.3. Frame and Casing Section (3)



# S8.4. Packing Parts and Accessories Section

